

# HARRINGTON

A KITO GROUP COMPANY



**Complete  
Cranes**

## **Working Harder For You**

In 1876, Edwin Harrington dramatically improved the self-sustaining hoist by introducing the worm-gear design. Since then, the company he founded has earned a proud reputation for product innovations and consistent quality that our customers count on to meet their diverse requirements.

Over the years we have developed and grown by recognizing the value of our customers and responding to your needs. The daily mission of our organization is to provide you, the customer, with the highest quality in our products, service and support.

In addition to our superior products and expanded facilities, we offer a Sales and Customer Service team that is dedicated to serving you, a well qualified Engineering Department to support your technical needs and a full support staff who all know the importance of working together to provide solutions for your material handling projects.

We are working harder to be the supplier-of-choice for all of your hoist and crane applications.

# Table of Contents

## Heavy Duty Class C Single Girder Complete Cranes

Series 3 Top Running Complete Cranes	.4
Motorized	.6
Geared	.8
Push	.10
Series 3 Underhung Complete Cranes	.12
Motorized	.14
Geared	.16
Push	.18

## Heavy Duty Class C Double Girder Complete Cranes

Series 3 Top Running Max-E-Lift Complete Cranes	.20
Series 3 Underhung Max-E-Lift Complete Cranes	.22

## Medium Duty Complete Cranes

Series 500 Top Running Push Complete Cranes	.24
Series 500 Underhung Push Complete Cranes	.24

## Technical Information

Plug and Play Crane Kits	.26
Crane Service Classifications	.27
Compliance	.27
Bridge Crane Control Panels	.28
Motor and Brake	.30
Underhung Crane Drive Wheels	.31
Product Specification Form	.32
Options	.33
Glossary	.33
Complete Product Offering	.35

## Heavy Duty Class C Single Girder Series 3 Top Running Complete Cranes

Harrington Top Running cranes are high-performance systems that easily handle today's most demanding Class "C" applications. Examples include fabricating, machining, die handling, production, assembly and maintenance. Bolted assembly makes installation quick and easy — minimal welding required. Most wiring connections are factory installed or plug-in type. You can rely on Harrington cranes for durability, reliability and years of trouble-free service. Count on Harrington to include standard features that are options on competitors' cranes.



**Field adjustable Electronic Acceleration Control (EAC)**  
for superior load control  
(see page 28)

**Electric hoists feature 60 minute rating,**  
fan cooled motor,  
and "The Guardian"  
smart brake technology

**Quick disconnect cords**  
for ease of installation  
and maintenance

**Forged carbon-steel hook**  
capable of swiveling  
360° under load

**Bolted construction**  
with minimal welding required for ease in assembly

**Side guide rollers**  
on motorized trolleys for smooth movement

**Convenient inspection port**  
allows an inside look at gears

**Totally enclosed, non-ventilated motor**  
ensures long life

**Helical and spur gears are induction-hardened**  
for extended life

**Crane wiring enclosed**  
in conduit for code compliance

**Cross bracing**  
ensures crane rigidity, prevents crane from binding

**Bumpers and rail sweeps**  
are standard on end trucks and powered trolleys

**Adjustable DC brake**  
to control crane deceleration (see page 30)

**Standard electric trolley brake**  
for ultimate load control

**Structural steel, rectangular tube end truck**  
design with machined steel wheels is compact for optimum end approach

**Side guide rollers**  
reduce wheel wear and provide smooth crane travel

**Trolley hoist**  
available in a wide selection of low headroom styles

**Push-button pendant**  
for easy control of trolley, hoist and bridge motion. Includes power on/off control

## **Heavy Duty Class C Single Girder Series 3 Top Running Motorized Complete Cranes**

### **Many benefits from more features:**

- Adjustable Electronic Acceleration Control (EAC) and adjustable brake allow customized speed control to avoid load swing and optimize load control.
- Standard rubber bumpers on cranes and motorized trolleys comply with ASME requirements.
- Side guide rollers reduce wheel friction and noise, providing smooth crane travel and increased wheel and runway life.
- Stationary crane wires are enclosed in conduit to comply with NEC requirements.
- Thermal motor protection is standard to protect motor from overheating.
- Electric hoists with ASME H4 rating maximize lifting capability while minimizing downtime and expense.
- Sealed motors enhance motor life and minimize repair costs.

### **Complete crane system includes:**

- End trucks come standard with drives, brakes, bumpers, drop stops, and rail sweeps.
- Crane control panel with adjustable Electronic Acceleration Control (EAC) and thru-the-door lock-out disconnect switch. (See page 28.)
- Crane wiring installed in code-compliant conduit.
- Standard bridge beam assembly with bracing and capacity labels.
- Trolley hoist supplied with operator control pendant.
- Optional runway electrification.
- Documentation including assembly and installation instructions, crane operator's guide and owner's manuals.
- Touch-up paint.
- One year warranty.

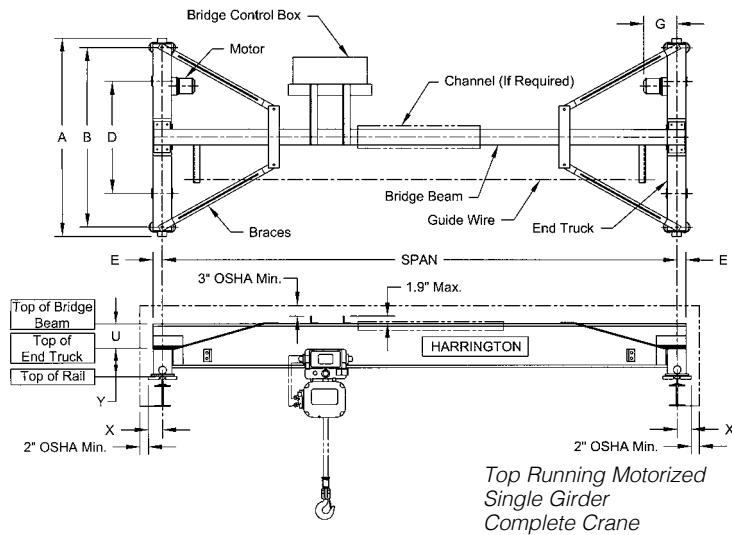
### **Capabilities to count on:**

- Capacities through 10 Ton and spans through 60 feet.
- Crane speeds: 40, 80, 120 ft/min single speed or variable speed.
- Motorized trolley speeds: 40 or 80 ft/min single speed or variable speed. Manual trolleys also available (push or geared).
- 3 phase voltages: 208, 230/460, 380, 575 (50 or 60 Hz).
- Suitable for use on ASCE crane rail or square bar.

**SERIES 3 TOP RUNNING MOTORIZED SINGLE GIRDER COMPLETE CRANES — DIMENSIONS**

Cap. (Tons)	Max. Span (ft)	Crane Product Code	Wheel Dia. (in)	Sug. Min. Runway Rail (ASCE#)	A Overall Length (in)	B Roller Base (in)	D Wheel Base (in)	E Beam Beyond Span (in)	U Top of End Truck to Top of Beam (in)	X* Width Beyond Span (in)	Y Top of Rail to Top of End Truck (in)	G Motor (in)
1	35	CTML/S/H-3-0135	3.74	30	61	53	43	2.4	8.4 (10.4 for cranes using 10" beam)	4.6	7.1	12.7 (L/S) 13.1 (H)
	60	CTML/S/H-3-0160			98	90	80					
3	35	CTML/S/H-3-0335	6.10		62	54	43	4.1				13.0 (L/S) 13.4 (H)
	60	CTML/S/H-3-0360			99	91	80					
5	35	CTML/S/H-3-0535	8.27	40	62	54	43	3.9	8.5	4.7	9.2	15.0 (L/S) 15.4 (H)
	60	CTML/S/H-3-0560			99	90	74				9.3	
10	35	CTML/S/H-3-1035	9.84	60	63	53	37	6.0	12.5	6.3	11.3	17.4 (L/S) 18.7 (H)
	60	CTML/S/H-3-1060			100	90	74					

\*Based on suggested minimum runway rail.



**SERIES 3 TOP RUNNING MOTORIZED SINGLE GIRDER COMPLETE CRANES — SPECIFICATIONS**

Crane Product Code	Speed Codes L and S			Speed Code H			System Max. Wheel Load** (lbs/wheel)
	One Motor Per End Truck 3 Phase 60 Hz			One Motor Per End Truck 3 Phase 60 Hz			
	Output (Hp)	Rated Current (amps ea.)		Output (Hp)	Rated Current (amps ea.)		
@230V		@460V	@230V		@460V		
CTML/S/H-3-0135	0.33	1.5	0.9	0.5	1.8	1.1	1,978
CTML/S/H-3-0160							2,856
CTML/S/H-3-0335							4,968
CTML/S/H-3-0360							6,256
CTML/S/H-3-0535	0.5	1.8	1.1	1.0	3.1	1.8	7,731
CTML/S/H-3-0560							9,500
CTML/S/H-3-1035	1.0	3.1	1.8	2.0	5.8	3.2	15,136
CTML/S/H-3-1060							17,160

\*\*See definition on page 33.

**Speed Code**

- L - Designates 40 ft/min
- S - Designates 80 ft/min
- H - Designates 120 ft/min

**Product Code Derivation** - example: CTML-3-0135

- CT - Complete Top Running Crane
- M - Motorized
- L - Speed of 40 ft/min
- 3 - Series number
- 01 - Max. capacity - 1 Ton
- 35 - Maximum span - 35 feet

## **Heavy Duty Class C Single Girder Series 3 Top Running Geared Complete Cranes**

Harrington's top running geared cranes offer an economical alternative to motorized systems. Side guide rollers mean these cranes operate much easier than flanged wheel cranes. Consider geared operation where precision control is required, such as die handling or fabrication assembly operations. Geared cranes are easily upgradable to motorized systems to meet changing customer needs.

### **Many benefits from more features:**

- Ideal for precision spotting requirements where motorized operation is not necessary.
- Standard rubber bumpers on cranes and motorized trolleys comply with ASME requirements.
- Side guide rollers reduce wheel friction and noise, providing smooth crane travel and increased wheel and runway life.
- Electric hoists with ASME H4 rating maximize lifting capability while minimizing downtime and expense.
- Sealed hoist and trolley motors enhance motor life and minimize repair costs.

### **Capabilities to count on:**

- Capacities through 5 Ton and spans through 50 feet.
- Motorized trolley speeds: 40 or 80 ft/min single speed or variable speed. Manual trolleys also available (push or geared).
- Suitable for use on ASCE crane rail or square bar.

### **Complete crane system includes:**

- End trucks come standard with bumpers, drop stops, and rail sweeps.
- Drive shaft assembly with hand wheel and hand chain.
- Standard bridge beam assembly with bracing and capacity labels.
- Trolley hoist available in a wide selection of styles.
- Power supply to trolley hoist (if required).
- Optional runway electrification.
- Documentation including assembly and installation instructions, crane operator's guide, and owner's manuals.
- Touch-up paint.
- One year warranty.



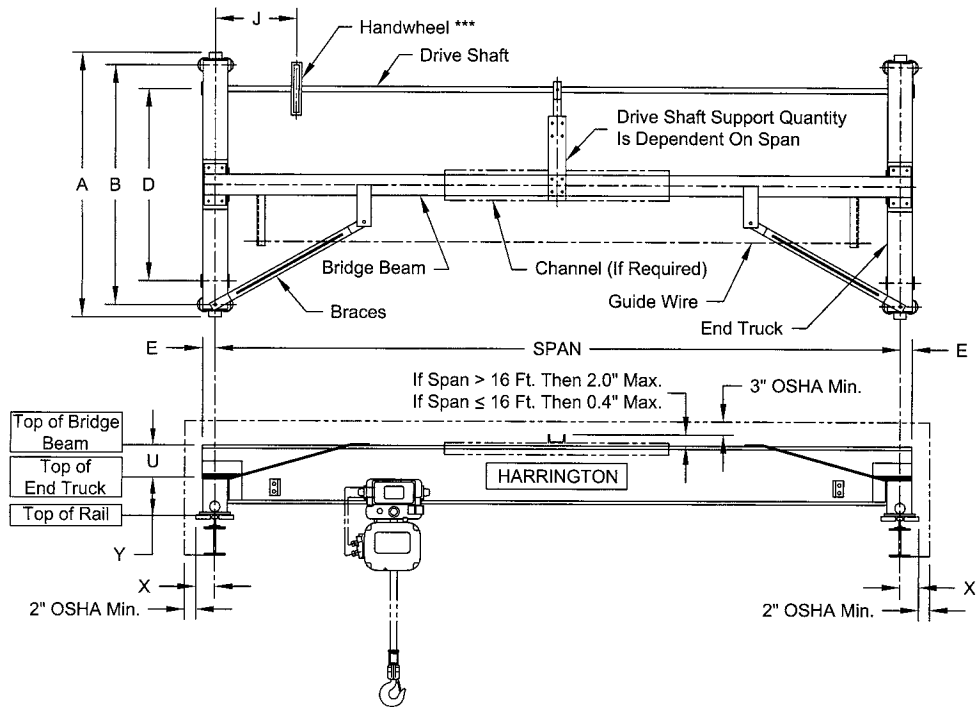
**SERIES 3 TOP RUNNING GEARED SINGLE GIRDER COMPLETE CRANES — SPECIFICATIONS & DIMENSIONS**

Cap. (Tons)	Max. Span (ft)	Crane Product Code	Wheel Dia. (in)	Sug. Min. Runway Rail (ASCE#)	A Overall Length (in)	B Roller Base (in)	D Wheel Base (in)	E Beam Beyond Span (in)	J Hand Wheel Offset (in)	U Top of End Truck to Top of Beam (in)	X* Width Beyond Span (in)	Y Top of Rail to Top of End Truck (in)	System Max. Wheel Load** (lbs/wheel)
1	35	CTG-3-0135	3.74	30	61	53	43	2.4	9.7	8.4 (10.4 for cranes using 10" beam)	4.6	7.1	1,963
	50	CTG-3-0150			98	90	80						2,403
3	35	CTG-3-0335	6.10		62	54	43	4.1	10.0				4,958
	50	CTG-3-0350			99	91	80						5,489
5	35	CTG-3-0535	8.27	40	62	54	43	3.9	10.3	8.5	4.7	9.2	7,718
	50	CTG-3-0550			99	90	74			8.5		9.3	8,372

\*Based on suggested minimum runway rail.

\*\*See definition on page 33.

\*\*\*Standard hand chain drop is 8 ft from top of runway rail.



Top Running Geared Single Girder Complete Crane

## **Heavy Duty Class C Single Girder Series 3 Top Running Push Complete Cranes**

Harrington's top running push cranes offer an economical alternative to other cranes. Side guide rollers mean these cranes operate much easier than flanged wheel cranes. Push cranes are easily upgradable to motorized or geared operations to meet changing customer needs.

### **Many benefits from more features:**

- Side guide rollers reduce wheel friction and noise, providing smooth crane travel and increased wheel and runway life.
- Compared to flanged wheel cranes, Harrington's push cranes operate easily, particularly in long span applications.
- Standard rubber bumpers on cranes and motorized trolleys comply with ASME requirements.
- Electric hoists with ASME H4 rating maximize lifting capability while minimizing downtime and expense.
- Sealed hoist and trolley motors enhance motor life and minimize repair costs.

### **Capabilities to count on:**

- Capacities through 5 Ton and spans through 45 feet.
- Motorized trolley speeds: 40 or 80 ft/min single speed or variable speed. Manual trolleys also available (push or geared).
- Suitable for use on ASCE crane rail or square bar.

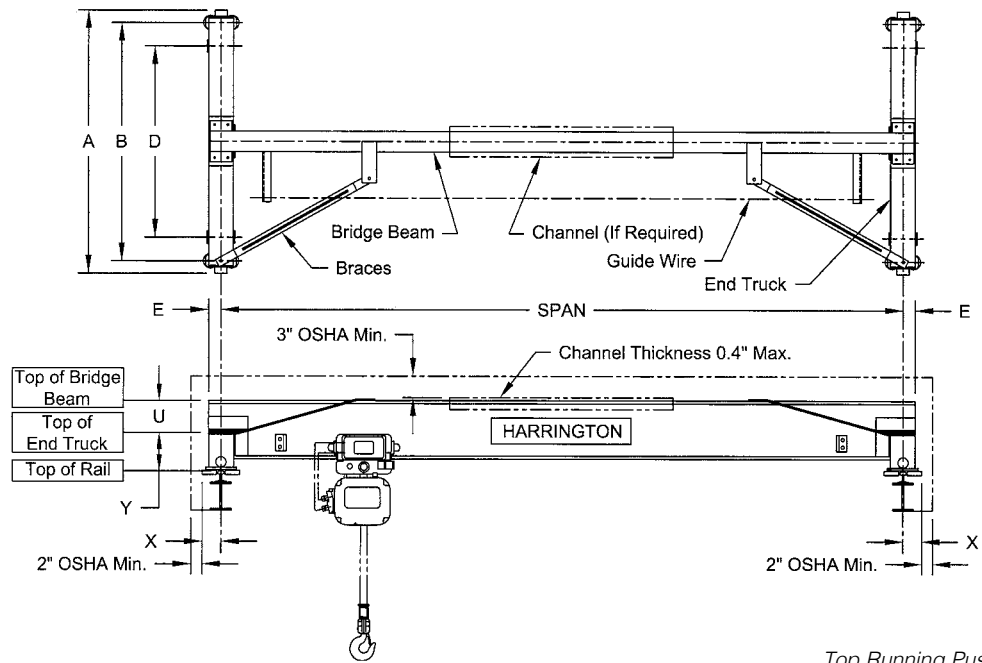
### **Complete crane system includes:**

- End trucks come standard with bumpers, drop stops, and rail sweeps.
- Standard bridge beam assembly with bracing and capacity labels.
- Trolley hoist available in a wide selection of styles.
- Power supply to trolley hoist (if required).
- Optional runway electrification.
- Documentation including assembly and installation instructions, crane operator's guide, and owner's manuals.
- Touch-up paint.
- One year warranty.

**SERIES 3 TOP RUNNING PUSH SINGLE GIRDER COMPLETE CRANES — SPECIFICATIONS & DIMENSIONS**

Cap. (Tons)	Max. Span (ft)	Crane Product Code	Wheel Dia. (in)	Sug. Min. Runway Rail (ASCE#)	A Overall Length (in)	B Roller Base (in)	D Wheel Base (in)	E Beam Beyond Span (in)	U Top of End Truck to Top of Beam (in)	X* Width Beyond Span (in)	Y Top of Rail to Top of End Truck (in)	System Max. Wheel Load** (lbs/wheel)
1	35	CTP-3-0135	3.74	30	61	53	43	2.4	8.4 (10.4 for cranes using 10" beam)	4.6	7.1	1,972
	45	CTP-3-0145			98	90						80
2	45	CTP-3-0245	6.10		99	91	43	4.1				8.5
3	35	CTP-3-0335		62	54	4,919						
5	35	CTP-3-0535	6.10	40	62	54	43	4.1	8.5	4.7	9.2	7,680

\*Based on suggested minimum runway rail.  
 \*\*See definition on page 33.



Top Running Push  
 Single Girder  
 Complete Crane

## Heavy Duty Class C Single Girder Series 3 Underhung Complete Cranes

Harrington Underhung cranes combine superior performance with underhung space savings. It's a rugged design that easily handles today's most demanding Class "C" applications, including fabricating, machining, die handling, production, assembly and maintenance. All bolted assembly makes installation quick and easy—no welding required. Most wiring connections are factory installed or plug-in type. You can rely on Harrington cranes for durability, reliability and years of trouble-free service. Count on Harrington to include standard features that are options on competitors' cranes.



**All bolted construction**  
for ease in assembly

**Field adjustable Electronic Acceleration Control (EAC)**  
for superior load control (see page 28)

**Side guide rollers**  
on motorized trolleys for smooth movement

**Electric hoists feature 60 minute rating,**  
fan cooled motor,  
and "The Guardian"  
smart brake technology

**Quick disconnect cords**  
for ease of installation  
and maintenance

**Forged carbon-steel hook**  
capable of swiveling 360° under load

**Helical and spur gears are induction hardened** for extended life

**Totally enclosed, non-ventilated motor** ensures long life

**Crane wiring enclosed** in conduit for code compliance

**Cross-bracing** ensures crane rigidity, prevents crane from binding

**Machined dual tread wheels** suitable for S or W shaped beams (patented track wheels available)

**Adjustable DC brake** to control crane deceleration (see page 30)

**Standard electric trolley brake** for ultimate load control

**Side guide rollers** reduce wheel wear and provide smooth crane travel

**Structural steel end truck design** is compact for optimum end approach

**Bumpers and rail sweeps** are standard on end trucks and powered trolleys

**Trolley hoist** available in a wide selection of low-headroom styles

**Push-button pendant** for easy control of trolley, hoist, and bridge motion. Includes power on/off control

## Heavy Duty Class C Single Girder Series 3 Underhung Motorized Complete Cranes

### Many benefits from more features:

- Adjustable Electronic Acceleration Control (EAC) and adjustable brake allow customized speed control to avoid load swing and optimize load control.
- Standard rubber bumpers on cranes and motorized trolleys comply with ASME requirements.
- Side guide rollers reduce wheel friction and noise, providing smooth crane travel and increased wheel and runway life.
- Stationary crane wires are enclosed in conduit to comply with NEC requirements.
- Thermal motor protection is standard to protect motor from overheating.
- Electric hoists with ASME H4 rating maximize lifting capability while minimizing downtime and expense.
- Sealed motors enhance motor life and minimize repair costs.
- Drives deliver synchronous power to two wheels on each end truck for smooth positive traction. (See page 31)

### Capabilities to count on:

- Capacities through 5 Ton and spans through 50 feet.
- Crane speeds: 40, 80, 120 ft/min single speed or variable speed.
- Motorized trolley speeds: 40 or 80 ft/min single speed or variable speed. Manual trolleys also available (push or geared).
- 3 phase voltages: 208, 230/460, 380, 575 (50 or 60 Hz).
- Suitable for use on S or W shaped beam (patented track models available).

### Complete crane system includes:

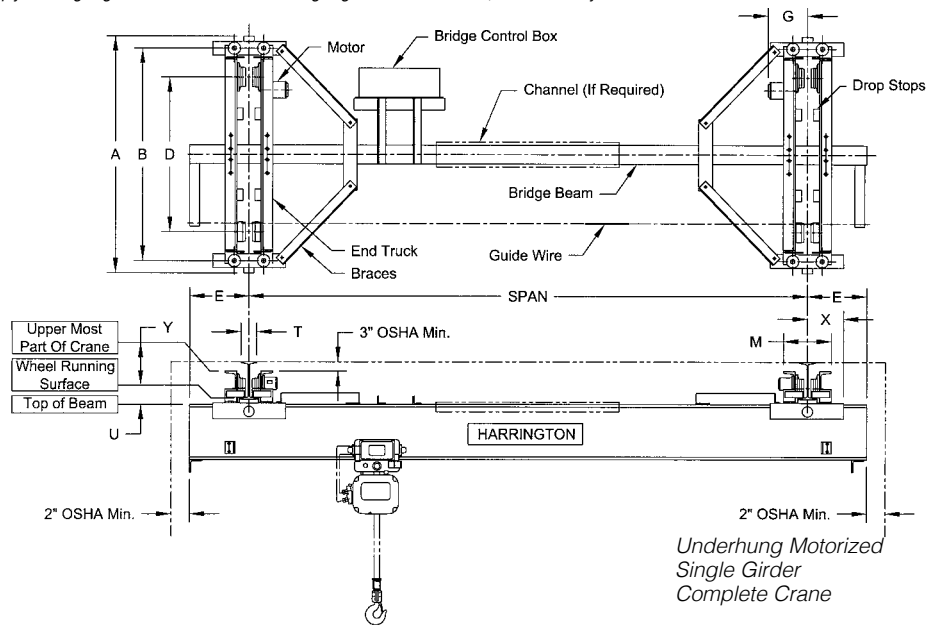
- End trucks come standard with drives, brakes, bumpers, drop stops, and rail sweeps.
- Crane control panel with adjustable Electronic Acceleration Control (EAC) and thru-the-door lock-out disconnect switch. (See page 28.)
- Crane wiring installed in code-compliant conduit.
- Standard bridge beam assembly with bracing and capacity labels.
- Trolley hoist supplied with operator control pendant.
- Optional runway electrification.
- Documentation including assembly and installation instructions, crane operator's guide, and owner's manuals.
- Touch-up paint.
- One year warranty.

**SERIES 3 UNDERHUNG MOTORIZED SINGLE GIRDER COMPLETE CRANES — DIMENSIONS**

Cap. (Tons)	Max Span (ft)	Crane Product Code	Wheel Dia. (in)	T Flange Range Std. (in)	A Overall Length (in)	B Roller Base (in)	D Wheel Base (in)	E* Beam Beyond Span (in)	M End Truck Frame Width (in)	U Wheel Running Surface to Top of Beam (in)	X** Width Beyond Span (in)	Y Wheel Running Surface to Upper Most Part of Crane (in)	G Motor (in)
2	35	CUML/S/H-3-0235	4.33	3 - 6	60	53	39	12	T+8.1	1.8	11.3-T/2	6.5	T/2+ 11.9 (L/S) 12.3 (H)
	50	CUML/S/H-3-0250			82	75	61		T+8.2	1.9			
3	35	CUML/S/H-3-0335	4.92		60	53	35		T+8.2	1.9			
	50	CUML/S/H-3-0350			82	75	57		T+9.7	2.0			
5	35	CUML/S/H-3-0535	5.51	4 - 6	60	53	33	12	T+8.2	1.9	11.3-T/2	6.8	T/2+ 13.7 (L/S) 13.8 (H)
	50	CUML/S/H-3-0550			82	75	55		T+9.7	2.0			

\* Minimum E is M/2.

\*\*These formulas for Width Beyond Span do not apply for flanges greater than 6 inches. For flanges greater than 6 inches, consult factory.



**SERIES 3 UNDERHUNG MOTORIZED SINGLE GIRDER COMPLETE CRANES — SPECIFICATIONS**

Crane Product Code	Speed Codes L and S			Speed Code H			System Max. Wheel Load* (lbs/wheel pair)
	Output (Hp)	One Motor Per End Truck 3 Phase 60 Hz		Output (Hp)	One Motor Per End Truck 3 Phase 60 Hz		
		Rated Current (amps ea.)			Rated Current (amps ea.)		
		@230V	@460V		@230V	@460V	
CUML/S/H-3-0235	0.33	1.5	0.9	0.5	1.8	1.1	3,441
CUML/S/H-3-0250							4,008
CUML/S/H-3-0335							4,937
CUML/S/H-3-0350							5,465
CUML/S/H-3-0535	0.5	1.8	1.1	1.0	3.1	1.8	7,696
CUML/S/H-3-0550							8,337

\*See definition on page 33.

**Speed Code**

- L - Designates 40 ft/min
- S - Designates 80 ft/min
- H - Designates 120 ft/min

**Product Code Derivation** - example: CUML-3-0235

- CU - Complete Underhung Crane
- M - Motorized
- L - Speed of 40 ft/min
- 3 - Series number
- 02 - Max. capacity - 2 Ton
- 35 - Maximum span - 35 feet

## **Heavy Duty Class C Single Girder Series 3 Underhung Geared Complete Cranes**

Harrington's underhung geared cranes offer an economical alternative to motorized systems. Side guide rollers mean these systems operate much easier than flanged wheel cranes. Consider geared operation where precision control is required, such as die handling or fabrication assembly operations. Geared cranes are easily upgradable to motorized systems to meet changing customer needs.

### **Many benefits from more features:**

- Ideal for precision spotting requirements where motorized operation is not necessary.
- Standard rubber bumpers on cranes and motorized trolleys comply with ASME requirements.
- Side guide rollers reduce wheel friction and noise, providing smooth crane travel and increased wheel and runway life.
- Electric hoists with ASME H4 rating maximize lifting capability while minimizing downtime and expense.
- Sealed hoist and trolley motors enhance motor life and minimize repair costs.

### **Capabilities to count on:**

- Capacities through 5 Ton and spans through 45 feet.
- Motorized trolley speeds: 40 or 80 ft/min single speed or variable speed. Manual trolleys also available (push or geared).
- Suitable for use on S or W shaped beam (patented track models available).

### **Complete crane system includes:**

- End trucks come standard with bumpers, drop stops, and rail sweeps.
- Drive shaft assembly with hand wheel and hand chain.
- Standard bridge beam assembly with bracing and capacity labels.
- Trolley hoist available in a wide selection of styles.
- Power supply to trolley hoist (if required).
- Optional runway electrification.
- Documentation, including assembly and installation instructions, crane operator's guide, and owner's manuals.
- Touch-up paint.
- One year warranty.



**SERIES 3 UNDERHUNG GEARED SINGLE GIRDER COMPLETE CRANES — SPECIFICATIONS & DIMENSIONS**

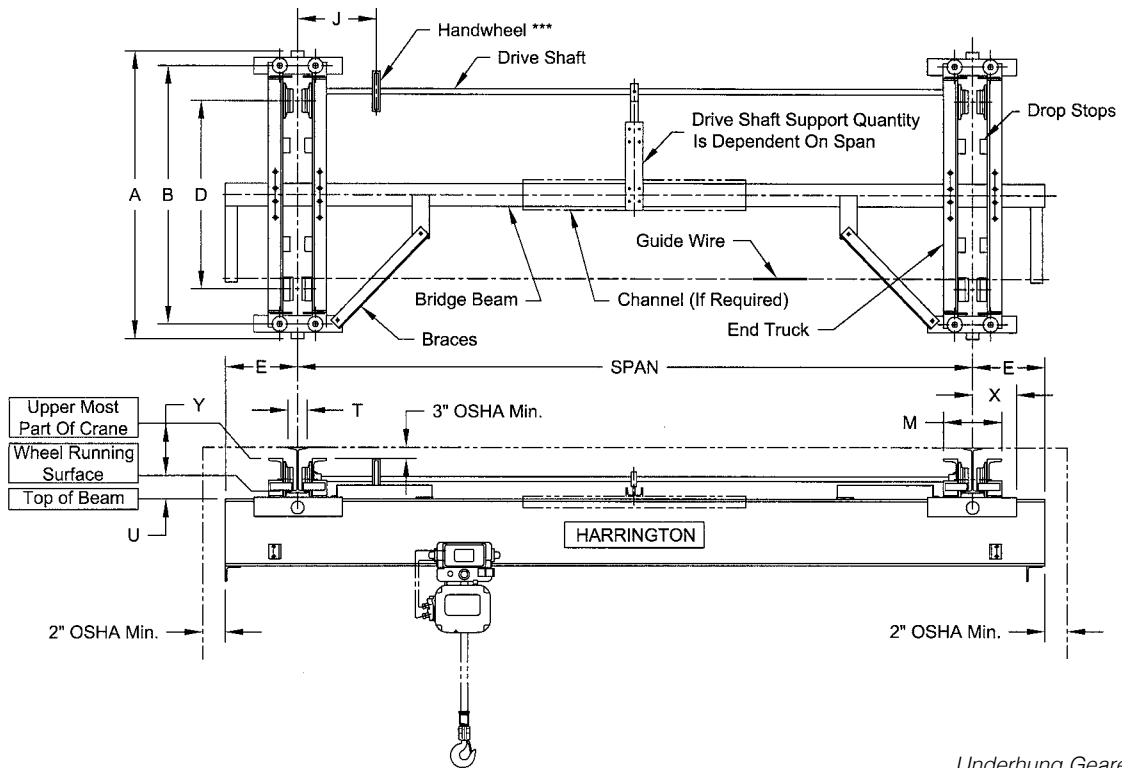
Cap. (Tons)	Max Span (ft)	Crane Product Code	Wheel Dia. (in)	T Flange Range Std. (in)	A Overall Length (in)	B Roller Base (in)	D Wheel Base (in)	E* Beam Beyond Span (in)	J Hand Wheel Offset (in)	M End Truck Frame Width (in)	U Wheel Running Surface to Top of Beam (in)	X** Width Beyond Span (in)	Y Wheel Running Surface to Upper Most Part of Crane (in)	System Max. Wheel Load† (lbs per wheel pair)
2	35	CUG-3-0235	4.33	3 - 6	60	53	39	12	T/2+9.0	T+8.1	1.8	11.3-T/2	6.5	3,431
	45	CUG-3-0245			82	75	61							3,824
3	35	CUG-3-0335	4.92		60	53	35		T/2+8.9	T+8.2	1.9		6.7	4,925
	45	CUG-3-0345			82	75	57							5,244
5	35	CUG-3-0535	5.51	4 - 6	60	53	33	T/2+9.0	T+9.7	2.0	6.8	7,681		
	45	CUG-3-0545			82	75	55					8,072		

\*Minimum E is M/2.

\*\*These formulas for Width Beyond Span do not apply for flanges greater than 6 inches. For flanges greater than 6 inches, consult factory.

\*\*\*Standard hand chain drop is 8 ft from bottom of running beam.

† See definition on page 33.



Underhung Geared Single Girder Complete Crane

## **Heavy Duty Class C Single Girder Series 3 Underhung Push Complete Cranes**

Harrington's underhung push cranes offer an economical alternative to other cranes. Side guide rollers mean these systems operate much easier than flanged wheel cranes. Push cranes are easily upgradable to motorized or geared operation to meet changing customer needs.

### **Many benefits from more features:**

- Compared to flanged wheel cranes, Harrington's push cranes operate easily, particularly in long span operations.
- Standard rubber bumpers on cranes and motorized trolleys comply with ASME requirements.
- Side guide rollers reduce wheel friction and noise, providing smooth crane travel and increased wheel and runway life.
- Electric hoists with ASME H4 rating maximize lifting capability while minimizing downtime and expense.
- Sealed hoist and trolley motors enhance motor life and minimize repair costs.

### **Capabilities to count on:**

- Capacities through 5 Ton and spans through 45 feet.
- Motorized trolley speeds: 40 or 80 ft/min single speed or variable speed. Manual trolleys also available (push or geared).
- Suitable for use on S or W shaped beam (patented track models available).

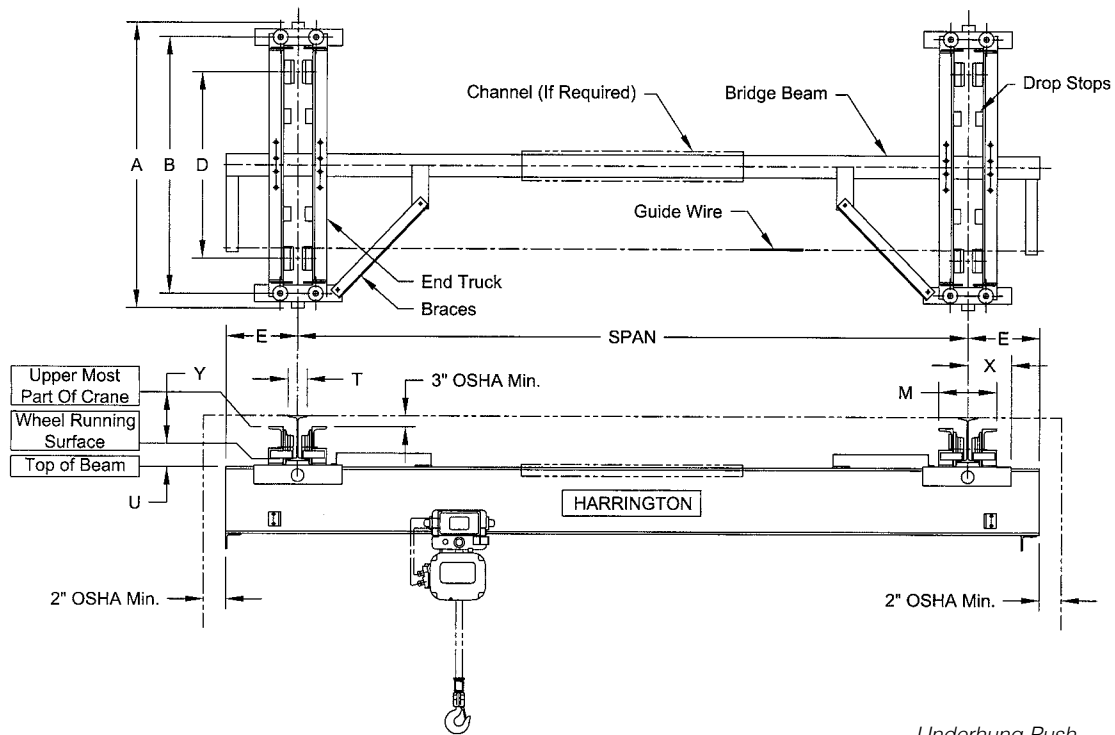
### **Complete crane system includes:**

- End trucks come standard with bumpers, drop stops, and rail sweeps.
- Standard bridge beam assembly with bracing and capacity labels.
- Trolley hoist available in a wide selection of styles.
- Power supply to trolley hoist (if required).
- Optional runway electrification.
- Documentation including assembly and installation instructions, crane operator's guide, and owner's manuals.
- Touch-up paint.
- One year warranty.

**SERIES 3 UNDERHUNG PUSH SINGLE GIRDER COMPLETE CRANES — SPECIFICATIONS & DIMENSIONS**

Cap. (Tons)	Max Span (ft)	Crane Product Code	Wheel Dia. (in)	T Flange Range Std. (in)	A Overall Length (in)	B Roller Base (in)	D Wheel Base (in)	E* Beam Beyond Span (in)	M End Truck Frame Width (in)	U Wheel Running Surface to Top of Beam (in)	X** Width Beyond Span (in)	Y Wheel Running Surface to Upper Most Part of Crane (in)	System Max. Wheel Load*** (lbs/wheel pair)
2	35	CUP-3-0235	4.33	3 - 6	60	53	39	12	T+8.1	1.8	11.3-T/2	6.5	3,423
	45	CUP-3-0245			82	75	61		T+8.2	1.9			3,816
3	35	CUP-3-0335	4.92	60	53	35	T+8.2		1.9	4,917			
5	35	CUP-3-0535	5.51	4 - 6	60	53	33		T+9.8	2.0			7,672

\*Minimum E is M/2.  
 \*\*These formulas for Width Beyond Span do not apply for flanges greater than 6 inches. For flanges greater than 6 inches, consult factory.  
 \*\*\*See definition on page 33.

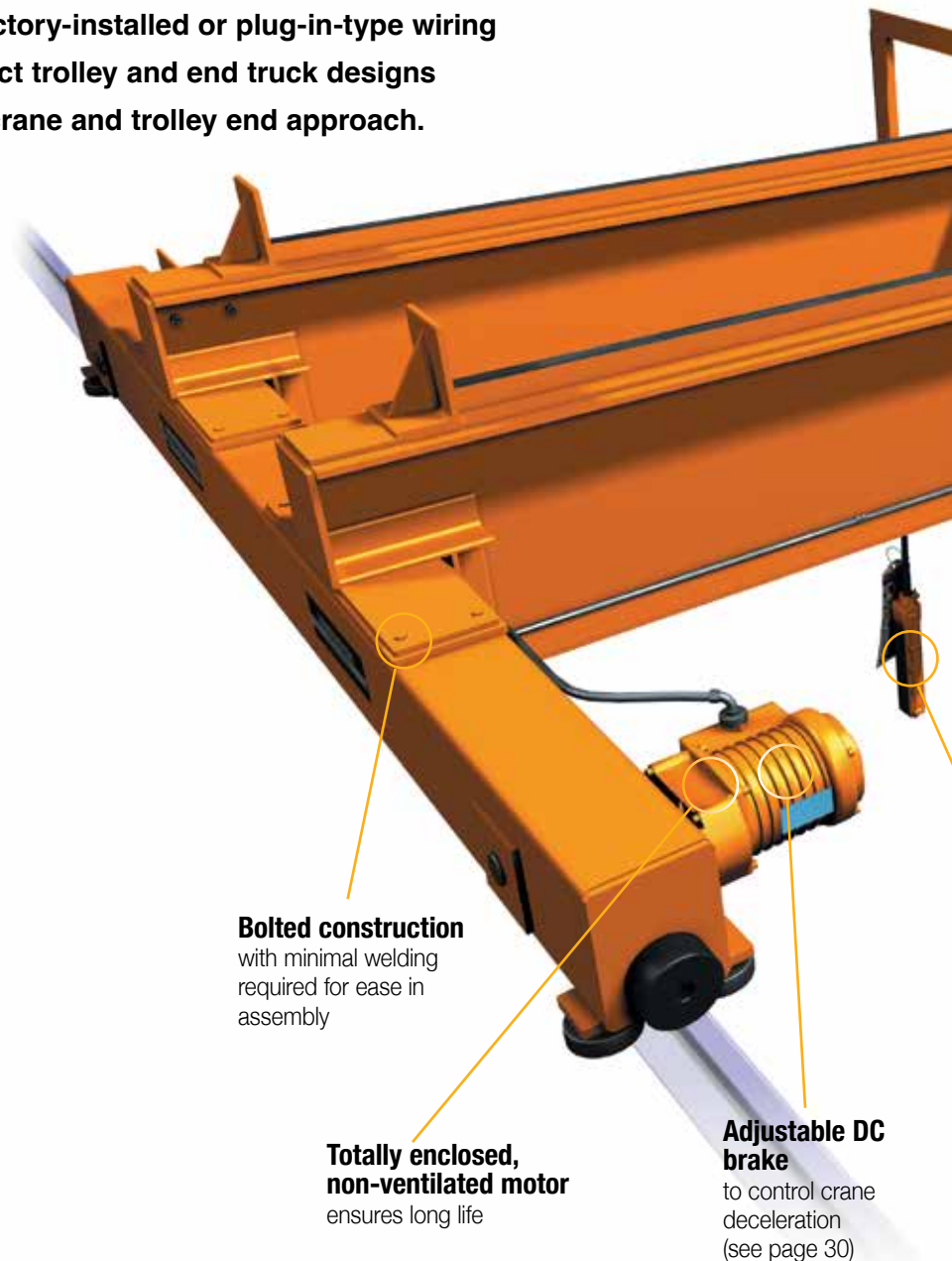


Underhung Push Single Girder Complete Crane

## **Heavy Duty Class C Double Girder Series 3 Top Running Max-E-Lift Complete Cranes: Top Running Cranes for Ultimate Maximum Lift Height**

Minimize wasted overhead space and maximize available lifting height with top-performing Harrington Max-E-Lift top running cranes. This double girder design and low profile trolley hoist saves much of the space "wasted" on conventional single girder designs. So for new installations, the Max-E-Lift system saves valuable overhead room and can reduce building height and construction costs. Adding a Max-E-Lift crane to an existing installation where a new, higher lifting height is required can even minimize total construction costs. Installation is easy, thanks to an assembly using bolted construction with minimal welding required and factory-installed or plug-in-type wiring connections. In operation, the compact trolley and end truck designs maximize hook coverage, as well as crane and trolley end approach.

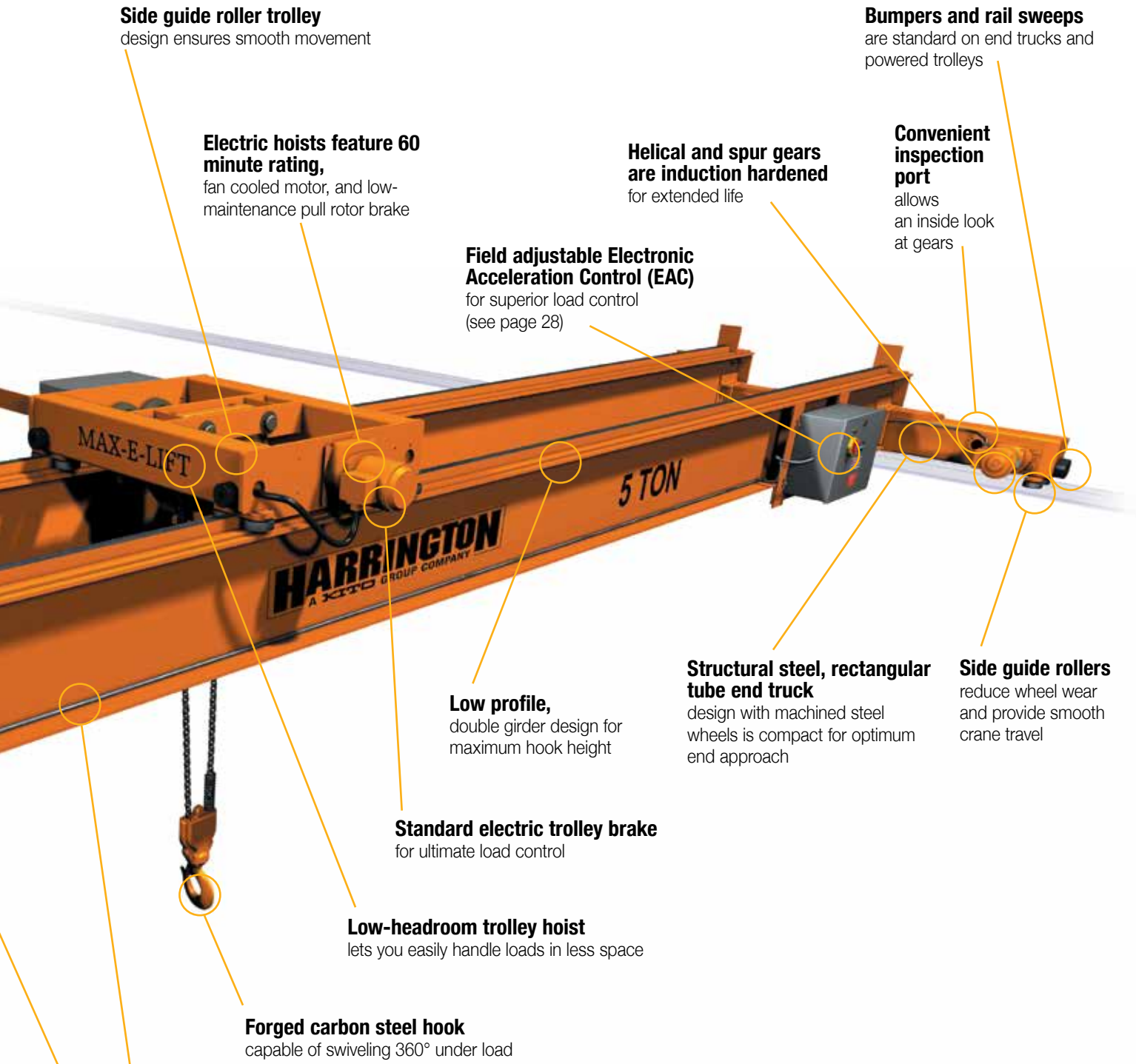
Get the standard features you want and maximum lifting height, too, with Max-E-Lift complete cranes. Capacities through 10 Ton and spans through 60 feet.



**Bolted construction**  
with minimal welding  
required for ease in  
assembly

**Totally enclosed,  
non-ventilated motor**  
ensures long life

**Adjustable DC  
brake**  
to control crane  
deceleration  
(see page 30)



**Side guide roller trolley**  
design ensures smooth movement

**Electric hoists feature 60 minute rating,**  
fan cooled motor, and low-maintenance pull rotor brake

**Helical and spur gears are induction hardened**  
for extended life

**Bumpers and rail sweeps**  
are standard on end trucks and powered trolleys

**Convenient inspection port**  
allows an inside look at gears

**Field adjustable Electronic Acceleration Control (EAC)**  
for superior load control (see page 28)

MAX-E-LIFT

5 TON

HARRINGTON  
A JCB GROUP COMPANY

**Low profile,**  
double girder design for maximum hook height

**Structural steel, rectangular tube end truck**  
design with machined steel wheels is compact for optimum end approach

**Side guide rollers**  
reduce wheel wear and provide smooth crane travel

**Standard electric trolley brake**  
for ultimate load control

**Low-headroom trolley hoist**  
lets you easily handle loads in less space

**Forged carbon steel hook**  
capable of swiveling 360° under load

**Crane wiring**  
enclosed in conduit for code compliance

**Push-button pendant**  
for easy control of trolley, hoist, and bridge motion. Includes power on/off control

**Consider Geared Models when:**

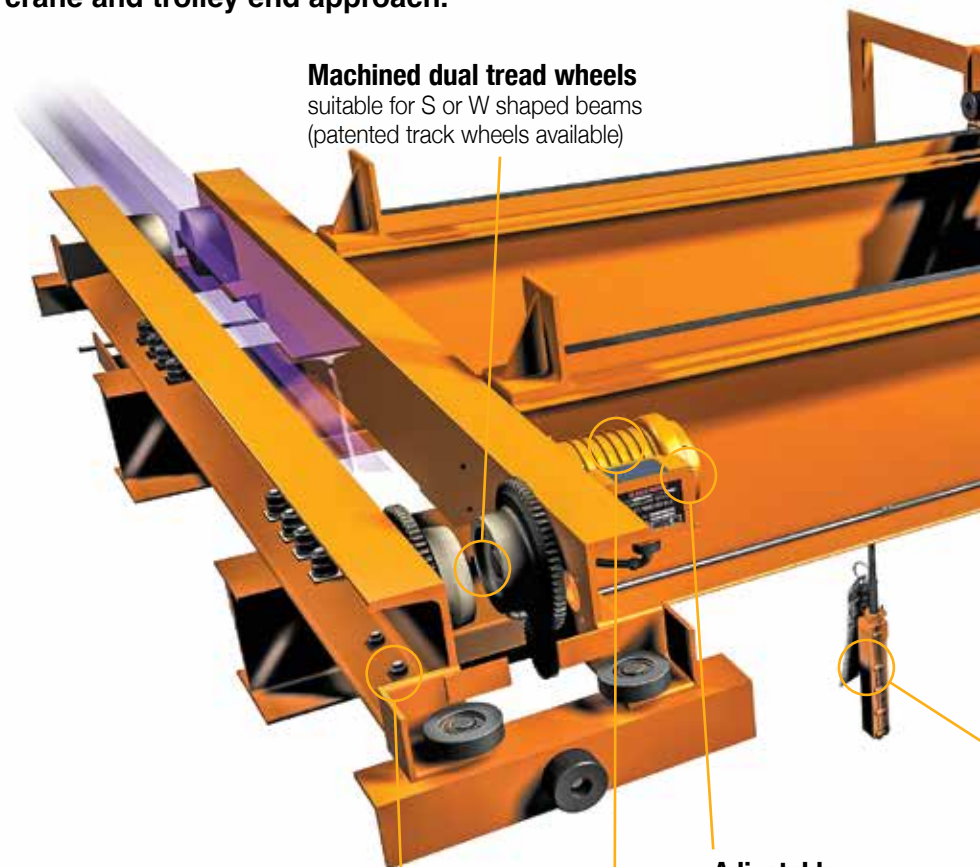
- Precision load control is required, such as die handling or assembly.
- Loads are infrequently moved, such as maintenance or standby crane operations.

For dimensions and specifications, consult factory.

## Heavy Duty Class C Double Girder Series 3 Underhung Max-E-Lift Complete Cranes: Underhung Cranes for Maximum Lift Height

Harrington Max-E-Lift underhung double girder cranes pack superior system performance into a space-saving, underhung profile. As a result, they save much of the space "wasted" by conventional single girder designs. For new installations, the Max-E-Lift system saves valuable overhead room and can reduce building height and construction costs. When replacing a conventional single girder underhung crane with a Max-E-Lift system, you can reduce wasted space and total construction costs. Installation is easy, thanks to an assembly using all bolted construction and factory-installed or plug-in-type wiring connections. In operation, the compact trolley and end truck designs maximize hook coverage, as well as crane and trolley end approach.

Get the standard features you want and maximum lifting height, too, with Max-E-Lift complete crane systems. Capacities through 5 Ton and spans through 50 feet.

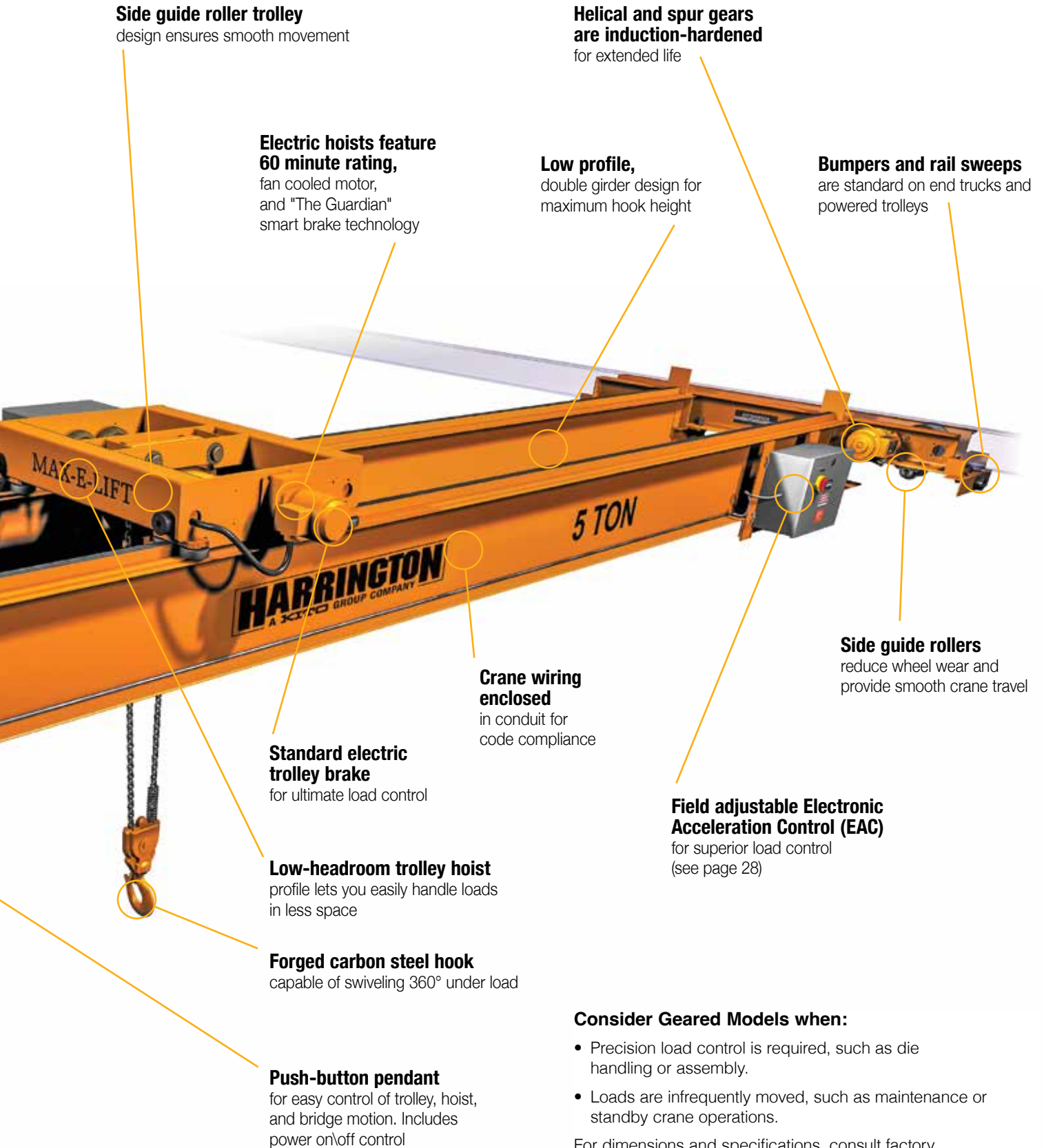


**Machined dual tread wheels**  
suitable for S or W shaped beams  
(patented track wheels available)

**Adjustable DC brake**  
to control crane deceleration  
(see page 30)

**All bolted construction**  
for ease in assembly

**Totally enclosed, non-ventilated motor**  
ensures long life



**Side guide roller trolley**  
design ensures smooth movement

**Helical and spur gears**  
are induction-hardened  
for extended life

**Electric hoists feature  
60 minute rating,**  
fan cooled motor,  
and "The Guardian"  
smart brake technology

**Low profile,**  
double girder design for  
maximum hook height

**Bumpers and rail sweeps**  
are standard on end trucks and  
powered trolleys

MAX-E-LIFT

5 TON

**HARRINGTON**  
A KCI GROUP COMPANY

**Crane wiring  
enclosed**  
in conduit for  
code compliance

**Side guide rollers**  
reduce wheel wear and  
provide smooth crane travel

**Standard electric  
trolley brake**  
for ultimate load control

**Field adjustable Electronic  
Acceleration Control (EAC)**  
for superior load control  
(see page 28)

**Low-headroom trolley hoist**  
profile lets you easily handle loads  
in less space

**Forged carbon steel hook**  
capable of swiveling 360° under load

**Push-button pendant**  
for easy control of trolley, hoist,  
and bridge motion. Includes  
power on/off control

**Consider Geared Models when:**

- Precision load control is required, such as die handling or assembly.
- Loads are infrequently moved, such as maintenance or standby crane operations.

For dimensions and specifications, consult factory.

## Series HPC 500 Medium Duty Class B Complete Cranes

For medium duty crane applications, the Series HPC 500 crane combines economy and performance. Crane travel is easy and smooth, thanks to machined wheels with sealed ball bearings, while the electric or manual hoist with matching trolley provides positive, controlled lifting motion. All bolted assembly makes installation quick and easy – no welding required. Select Series HPC 500 cranes when you need lifting power, economy, and flexibility for a wide variety of industrial uses.

### Capabilities to count on:

- Capacities in push operation: 1/2, 1 and 2 Ton up to 24' spans, in both top running and underhung designs.
- Fabricated from structural steel for optimal strength and rigidity.
- Large diameter wheels machined from cast iron and equipped with sealed deep groove ball bearings allow the crane to roll easily (wheels are suitable for flat or tapered flange beams).
- Rubber bumpers, drop stops, and rail sweeps are standard.



*Series HPC 500  
Top Running Push  
Complete Crane*

### Supplied components:

- End trucks.
- Bridge beam assembly with bracing.
- Trolley hoist available in a wide selection of low headroom styles.
- Documentation, including assembly and installation instructions, crane operator's guide, and owner's manuals.
- Touch-up paint.
- One year warranty.



*Series HPC 500  
Underhung Push  
Complete Crane*



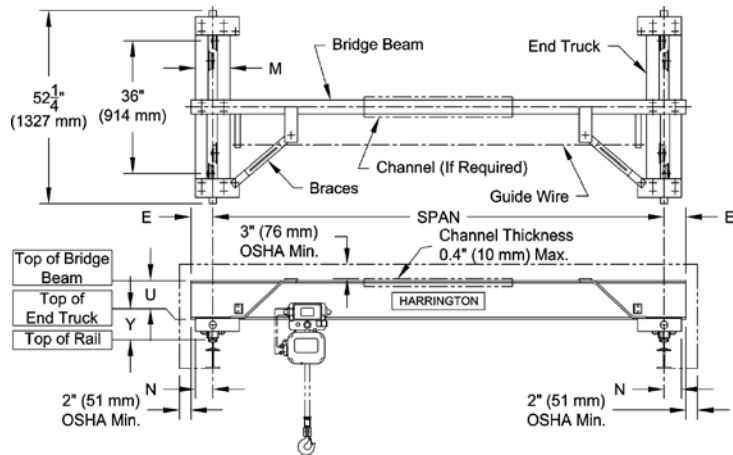
**SERIES 500 TOP RUNNING PUSH COMPLETE CRANES — SPECIFICATIONS & DIMENSIONS**

Cap. (Tons)	Max. Span (ft)	Crane Product Code	Wheel Tread Dia. (in)	Rail Head Width* (in)	E** Beam Beyond Span (in)	M End Truck Frame Width (in)	N Runway Ctr. Line to Outer Edge of ET (in)	U Top of End Truck to Top of Beam (in)	Y Top of Rail to Top of End Truck (in)	System Max. Wheel Load*** (lbs/wheel pair)
1/2	24	CHPC505	3.12	1.5 - 8.5	6	T + 7.25	M/2	Beam Depth	4.3	931
1		CHPC510	4.00			T + 8.25			5.3	1,547
2		CHPC520	4.88			T + 8.25			5.9	2,829

\*Consult factory for widths greater than 8.5".

\*\*Minimum E is M/2.

\*\*\*See definition on page 33.



Series HPC 500  
Top Running Push  
Complete Crane

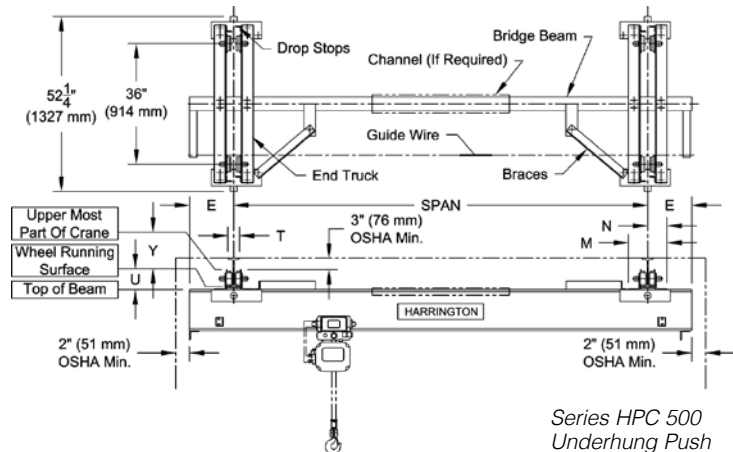
**SERIES 500 UNDERHUNG PUSH COMPLETE CRANES — SPECIFICATIONS & DIMENSIONS**

Cap. (Tons)	Max. Span (ft)	Crane Product Code	Wheel Tread Dia. (in)	T* Flange Range Std. (in)	E** Beam Beyond Span (in)	M End Truck Frame Width (in)	N Runway Ctr. Line to Outer Edge of ET (in)	U Wheel Running Surface to Top of Beam (in)	Y Wheel Running Surface to Upper Most Part of Crane (in)	System Max. Wheel Load*** (lbs/wheel pair)
1/2	24	CHPC505	3.12	3 - 8.5	12	T + 7.25	M/2	1.2	3.6	938
1		CHPC510	4.00			T + 8.25		1.2	4.4	1,555
2		CHPC520	4.88	3.3 - 8.5		T + 8.25		1.1	5.3	2,839

\*Consult factory for widths greater than 8.5".

\*\*Minimum E is M/2.

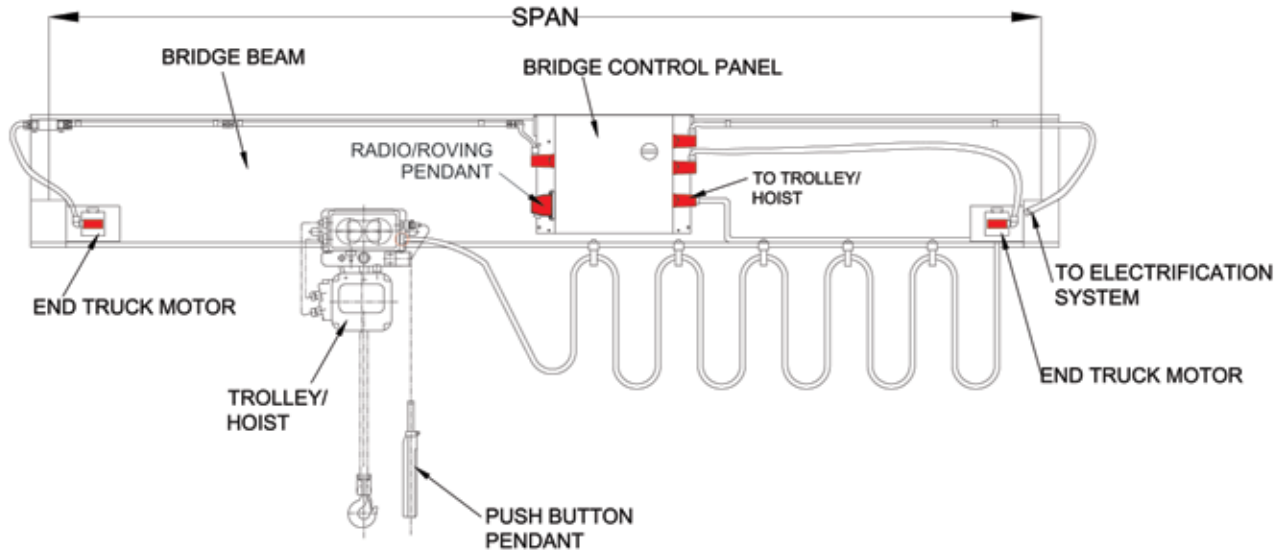
\*\*\*See definition on page 33.



Series HPC 500  
Underhung Push  
Complete Crane

## Plug and Play Crane Kits

Harrington's Plug and Play Crane Kits are high-performance, easy-to-install systems that handle today's most demanding Class "C" applications. Conveniently labeled heavy-duty plugs make installation quick and easy. These kits include standard features that are options on most competitive systems. Applications include fabricating, machining, die handling, assembly, production and maintenance. Rely on Harrington Plug and Play Crane Kits for durability, reliability and years of trouble-free service.



### Standard Features

- Capacities: 1 – 10 Ton Top Running; 2 – 5 Ton Underhung
- Heavy-duty, plug-in connections on trolley hoist, end trucks, control panel and crane wiring
- Side guide rollers greatly reduce wheel friction and wear, providing smooth crane travel with increased wheel and runway life
- End trucks come standard with drives, brakes, bumpers, drop stops and rail sweeps
- (N)ER electric chain hoists
- UL/C-UL listed control panel
- CSA and UL listed crane wires and festooning



(N)ERM



Top Running End Trucks



Underhung End Trucks



Control Panel



Plug and Play Connections



Crane Wires



Festooning

## Crane Service Classifications:

### Crane Service Class:

- The Crane Manufacturers Association of America (CMAA) has established six service classes for cranes. These classes are Class A through Class F, and are based on load cycles and load magnitude. Class A cranes are suited for the least severe service, and Class F cranes are suited for the most severe service.

### Class C Service Class:

The load cycle and magnitude combinations that define the Class C Service Class are:

- Load is usually between 1/3 and 2/3 of rated capacity and is frequently equal to rated capacity, and design service life is 20,000 to 100,000 cycles.
- Load is usually 1/3 of rated capacity and is rarely equal to rated capacity, and design service life is 100,000 to 500,000 cycles.
- Load is usually very light and rarely is equal to rated capacity, and design service life is 500,000 to 2,000,000 cycles.

### Class B Service Class:

The load cycle and magnitude combinations that define the Class B Service Class are:

- Load is usually 1/3 of rated capacity and is rarely equal to rated capacity, and design service life is 20,000 to 100,000 cycles.
- Load is usually very light and rarely is equal to rated capacity, and design service life is 200,000 to 500,000 cycles.

## Compliance

**In order to meet requirements of the Crane Manufacturers Association of America (CMAA), the National Electric Code (NEC) and the American National Standards Institute (ANSI/ASME), Harrington cranes include:**

- Thermal protection for all motors.
- Stationary crane wires that are enclosed in conduit.
- Rubber bumpers for crane and powered trolleys.
- Hoists load tested to 125% of rated capacity.
- Drop stops for cranes.
- Rail sweeps for top running and underhung cranes.

## Bridge Crane Control Panels

All motorized bridge cranes require a master panel to control bridge crane functions. Harrington control panels are completely pre-wired and tested, and ready to mount on bridge beam. Standard panel is NEMA 4/12 rated and includes:

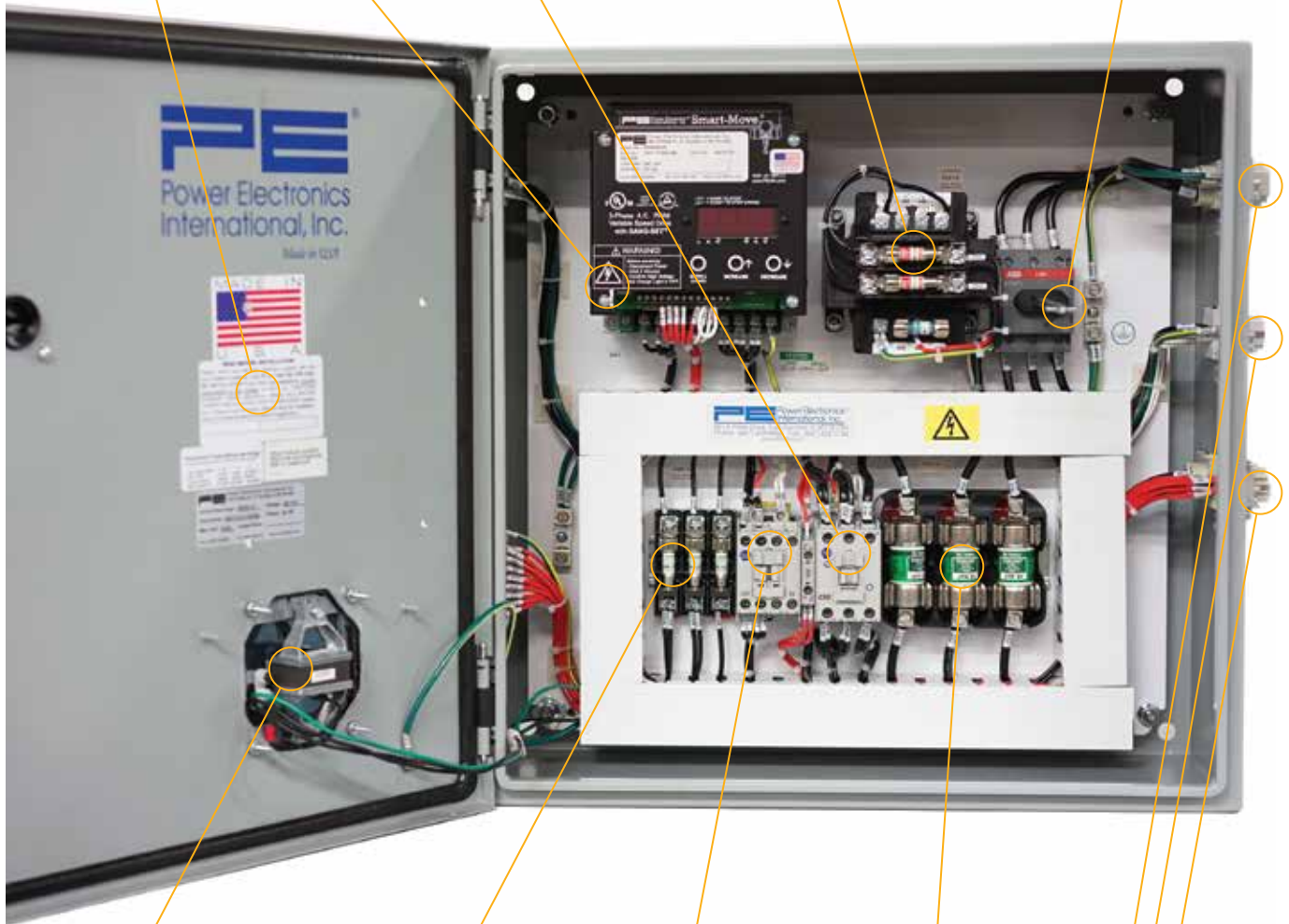
**Sales order and wiring diagram number** for easy reference

**VFD**  
Variable Frequency Drive

**Main line contactor**  
allows the crane to be turned on and off from the pendant

**Control transformer**  
(with primary and secondary fusing) provides low voltage control circuit for pendant

**Through-the-door fused disconnect switch**  
is OSHA compliant lock-out capable



**“Warning Device” (horn)**  
as required by CMAA when crane is equipped with a radio powered traversing function

**Branch circuit fusing for crane drives**

**Brake relay**

**Main line disconnect fusing**


**Plug and play connectivity**

NEMA 4 bridge crane control panels available upon request.

## Bridge Crane Control Panels

These panels are for use with all Harrington Series 3 motorized end trucks and are NEC compliant for overhead bridge cranes. All panels include bridge mounting bracket and wiring diagram. Specify voltage when ordering.

### Standard Panel – Single and Dual Speeds

All panels are NEMA 4/12 type and  US LISTED.


Actual crane drive amps will be determined by system requirements.

Plug and play connection available up to 80A system.

### Standard Panel features include:

Lock-out compatible through-the-door manual disconnect switch with system fusing, 110 volt control circuit transformer with primary and secondary fusing, mainline contactor, mechanically interlocked reversing contactor, time and torque adjustable Electronic Acceleration Control (EAC), branch circuit fusing for bridge, auto-reset thermal overload relay and hinged door.

### Optional Panel – Variable Frequency Drive (VFD)

All panels NEMA 4/12 type and  US LISTED.

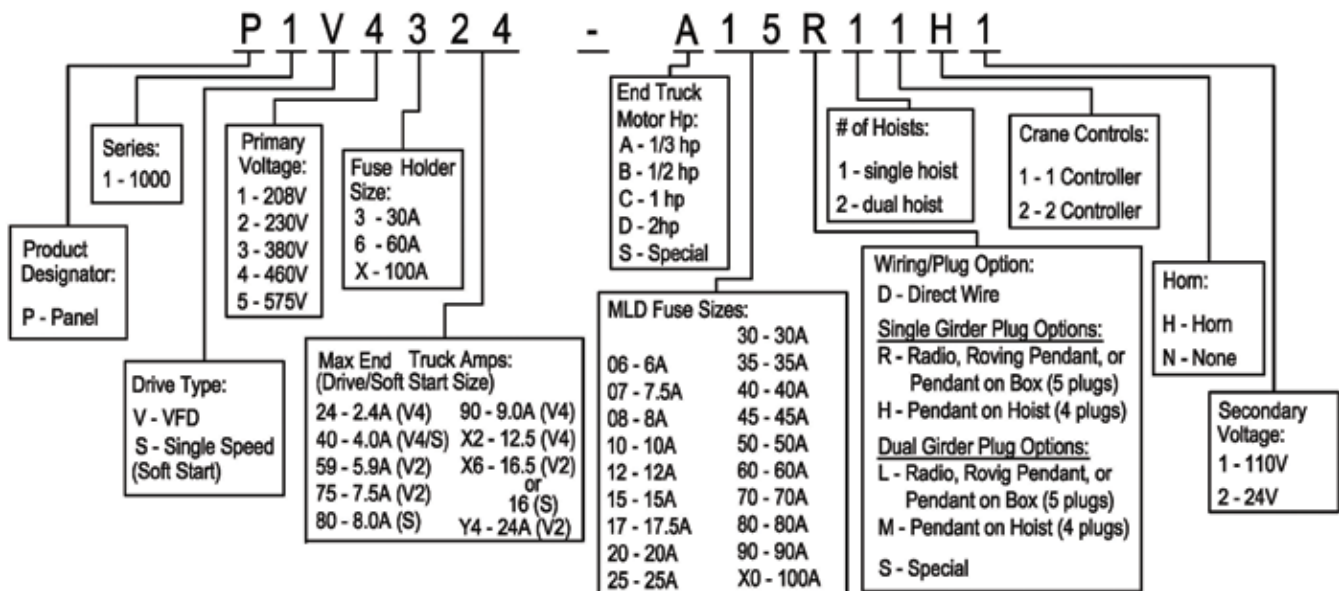
Actual crane drive amps will be determined by system requirements.

Plug and play connection available up to 80A system

### Optional Panel features include:

Lock-out compatible through-the-door manual disconnect switch with system fusing, 110 volt control circuit transformer with primary and secondary fusing, mainline contactor, Variable Frequency Drive (VFD), brake relay, branch circuit fusing for bridge and hinged door.

These panels can be used for dual- and multiple-speed applications, infinitely variable speed applications and programmed acceleration/deceleration control, using single-speed end trucks. VFD comes pre-loaded with many easy-to-select programs to fit virtually any crane control application and includes fault-code troubleshooting

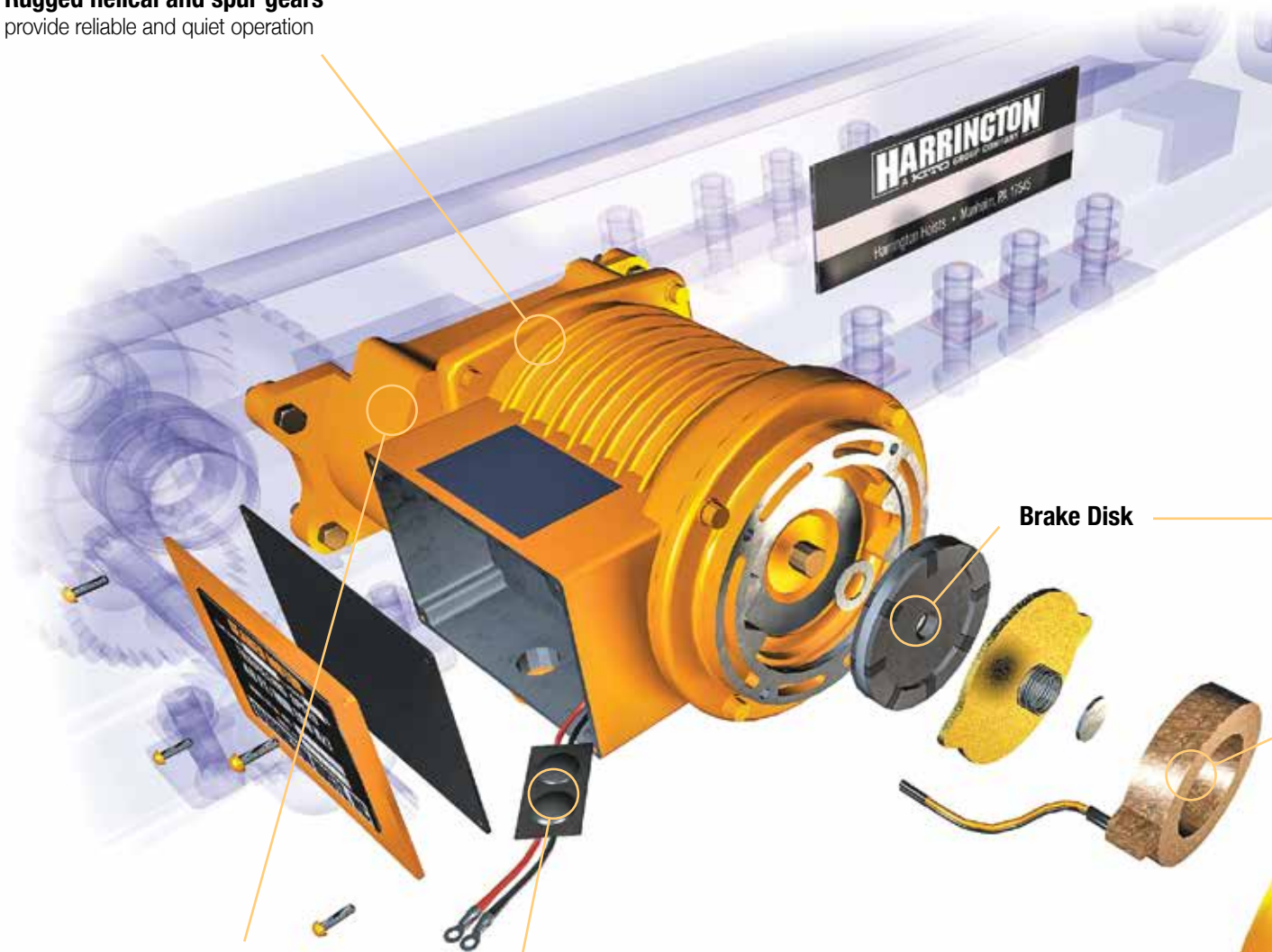


Product Code

## Motor and Brake

Harrington motorized cranes are dual drive type, employing two totally enclosed non-ventilated drives per crane. Drives use helical and spur gearing and are equipped with adjustable DC brakes.

**Rugged helical and spur gears**  
provide reliable and quiet operation



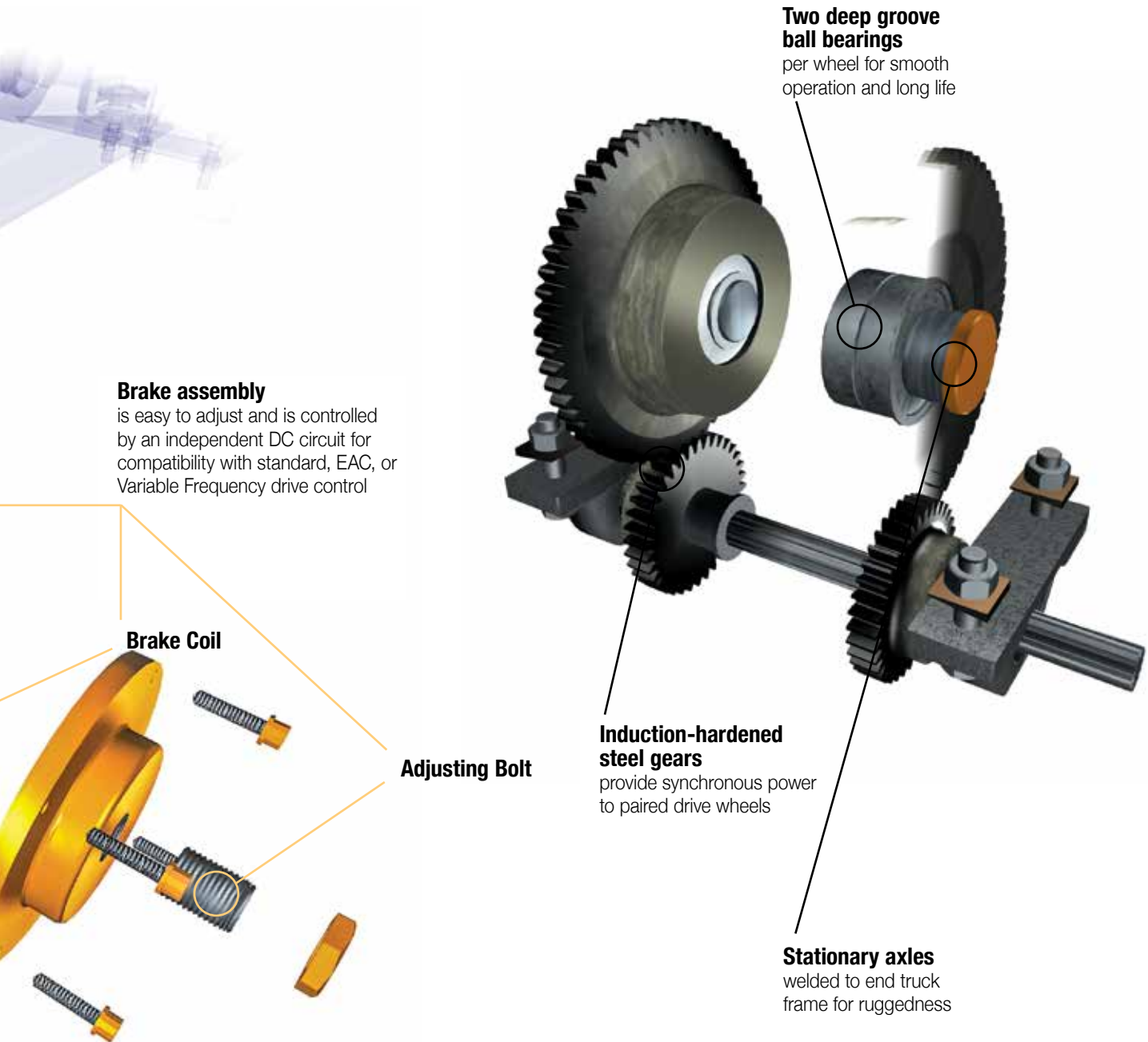
**Brake Disk**

**Sealed and shielded motor bearings**  
are lubed for life

**Rectifier**  
for brake circuit supplies  
DC voltage to brake coil

## Series 3 Underhung Crane Drive Wheels

Harrington's motorized and geared underhung cranes use a gear system that drives two of the four wheels on each end truck. All Series 3 underhung cranes have two bearings in each wheel.



# Product Specification Form

## Harrington Complete Crane Systems

### HARRINGTON COMPLETE CRANE SYSTEMS

Quantity \_\_\_\_\_  
 Capacity \_\_\_\_\_ (Ton)  
 Span \_\_\_\_\_  
 Voltage \_\_\_\_\_ (If Motorized)  
 Runway Length \_\_\_\_\_

Crane Type \_\_\_\_\_ Single Girder \_\_\_\_\_ Double Girder  
 \_\_\_\_\_ Top Running \_\_\_\_\_ Underhung

Structure \_\_\_\_\_ Rail Size (If Top Running) \_\_\_\_\_ Runway Beam Size (If Underhung)

Bridge Travel \_\_\_\_\_ Motorized \_\_\_\_\_ Push \_\_\_\_\_ Geared  
 (If Motorized) \_\_\_\_\_ Single Speed \_\_\_\_\_ Dual Speed \_\_\_\_\_ VFD \_\_\_\_\_ Desired Speed  
 (If Geared) \_\_\_\_\_ Hand Chain Drop (feet)

Specials: \_\_\_\_\_

Bridge Beam \_\_\_\_\_ Required \_\_\_\_\_ Existing \_\_\_\_\_ Beam Spec. (If Existing)

Hoist Type \_\_\_\_\_ Manual Chain \_\_\_\_\_ Electric Chain \_\_\_\_\_ Electric Wire Rope  
 Lift \_\_\_\_\_ Feet  
 (If Electric) \_\_\_\_\_ Single Speed \_\_\_\_\_ Dual Speed \_\_\_\_\_ VFD \_\_\_\_\_ Desired Speed

Options: \_\_\_\_\_ Canvas Chain Container

Specials: \_\_\_\_\_

Trolley Type \_\_\_\_\_ Motorized \_\_\_\_\_ Push \_\_\_\_\_ Geared  
 (If Motorized) \_\_\_\_\_ Single Speed \_\_\_\_\_ Dual Speed \_\_\_\_\_ VFD \_\_\_\_\_ Desired Speed  
 (If Geared) \_\_\_\_\_ Hand Chain Drop (feet)

Specials: \_\_\_\_\_

Form completed by:

Name \_\_\_\_\_ Company \_\_\_\_\_

Phone \_\_\_\_\_ Fax \_\_\_\_\_

Address \_\_\_\_\_ City \_\_\_\_\_ State \_\_\_\_\_ Zip \_\_\_\_\_

E-Mail Address \_\_\_\_\_

Copy form and fax to: 717-665-7432



## Options

### Plug and Play Connections

- End Trucks
- Crane Control Panel L
- Crane Wires
- Trolley/Hoist

### Flat Cable Festooning

- Roving pendant
- Hoist/trolley power
- Runway—crane power

### Variable Frequency Control

- Multiple speeds
- Infinitely variable speeds
- Programmable acceleration and deceleration

### Remote Control

- Radio
- Infrared
- Wall-mounted pendant (hard-wired)

### 24V Control Voltage

(110V is standard)

### NEMA 4, 4X, 12, or 13 Bridge Control Box

(NEMA 4/12 is standard)

### NEMA 4 or 4X Pendant

### Warning Devices

- Lights
- Audible alarms

### Enclosed Conductor Electrification

- Bridge
- Runway

### Multiple Hoists on Single Bridge

### Power Supply—Other Voltages Available

### Interlocking Bridges

### Patented Track Runway Applications

(3 1/4" and above)

### Travel Limit Switches

### Load Limiting Device

### Special Applications

## Glossary of Common Crane Terms:

**Adjustable brakes:** Electro-mechanical device to control horizontal crane deceleration.

**Bridge beam:** Traveling beam connected to end trucks - supports trolley hoist and load.

**Bumpers:** Energy absorbing device mounted on end trucks or trolley that reduces impact when the truck or trolley contacts either its end stop or another truck or trolley.

**Capacity:** Maximum rated load which a crane is designed to carry. Commonly expressed in Tons. (1 Ton = 2,000 lbs.).

**Drop stops:** Means to limit the drop of a bridge or trolley in case of wheel or axle failure.

**Electronic Acceleration Control (EAC):** Electronic control for adjusting rate of crane acceleration; also known as Electronic Soft Start.

**End truck:** Load-bearing crane component that supports the bridge beam and consists of a frame, wheels, axles, etc.

**Festooning:** Wiring and support system that delivers power to trolley hoist across bridge or runway beam.

**Rail sweeps:** Device designed to clear obstructions from wheel running surface.

**Runway beam:** Stationary beams that support crane and load. Commonly fabricated from S or W beams or patented track.

**Runway electrification:** Delivers power to crane as it travels along runway.

**Span:** Dimension from one runway centerline to the other runway centerline.

**System max wheel load:** Maximum load exerted on runway beams for a crane loaded to its rated capacity. It occurs when trolley hoist is located at its maximum end approach and includes an allowance for vertical inertial forces associated with electric hoists. This value is expressed for Series 3 cranes as lbs/wheel for top running and lbs/wheel pair for underhung cranes. For Series HPC 500 cranes, both top running and underhung are lbs/wheel pair.

**Top running:** Crane type that travels on top of rail or bar attached to runway beams.

**Underhung:** Crane type that travels on the lower flange of runway beams.

## Notes

## Complete Product Offering

Over the years Harrington has continued to respond to the needs of our customers by further expanding our product offerings. In addition to the many models described in this catalog, our full series of product catalogs, as shown below, will provide you with all of the information you will need to answer questions, specify a product and place an order. For catalog copies or answers to specific product questions, please contact our Customer Service Department by calling 800-233-3010 or e-mail [customerservice@harringtonhoists.com](mailto:customerservice@harringtonhoists.com)



### Manual Hoist Products Catalog

Refer to this Harrington catalog for detailed information on the following:

- Lever hoists
- Hand chain hoists
- Hoist and trolley combinations
- Low headroom trolley hoists
- Push and geared trolleys
- Hoist load testers



### Electric Chain Hoists Catalog

Refer to this Harrington catalog for detailed information on the following:

- Three phase electric chain hoists and trolleys
- Single phase electric chain hoists and trolleys
- Ergonomic electric chain hoists



### Air Powered Hoists Catalog

Refer to this Harrington catalog for detailed information on the following:

- Compact Mini-Cat with pendant, cord and manipulator controls
- Air hoists with pendant and cord controls
- Air trolleys



### Electric Wire Rope Hoists Catalog

Refer to this Harrington catalog for detailed information on the following:

- Ultra-low headroom trolley hoists



### Crane Components Catalog

Refer to this Harrington catalog for detailed information on the following:

- End trucks-top running-motorized, geared and push
- End trucks-underhung-motorized, geared and push
- Double girder MAX-E-Lift end trucks
- Convertible push end trucks
- Beam accessory kits

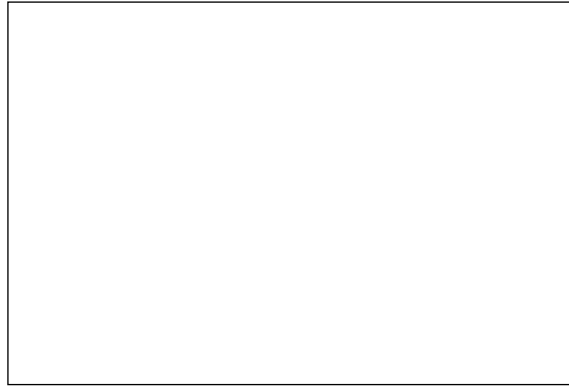


### Below-The-Hook and Material Handling Equipment

Refer to this Harrington catalog for detailed information on the following:

- Lifting beams and spreader beams
- Roll lifters, coil lifters and tongs
- Sheet lifters and pallet lifters
- Fork truck accessories
- Material stands and material baskets

## CONTACT YOUR NEARBY HARRINGTON DISTRIBUTOR



### Warranty

All products sold by Harrington Hoists, Inc. are warranted to be free from defects in material and workmanship from date of shipment by Harrington for the following periods:

- 1 year—Electric and Air Powered Hoists (excluding (N)ER2 Hoists and EQ/SEQ Hoists), Powered Trolleys, Powered Tiger Track Jibs and Gantries, Crane Components, Below-The-Hook Devices, Spare/Replacement Parts**
- 2 years—Manual Hoists & Trolleys, Beam Clamps**
- 3 years—(N)ER2 Hoists, EQ/SEQ Hoists, (T)EM/(T)SEM Hoists, and RY Hoists**
- 5 years—Manual Tiger Track Jibs and Gantries, Hoists Motor Brakes for TNER, EQ/SEQ, (T)EM/(T)SEM, and RY**
- 10 years—(N)ER2 Brake, Tiger Track Workstation Cranes and Monorails**

The product must be used in accordance with manufacturer's recommendations and must not have been subject to abuse, lack of maintenance, misuse, negligence, or unauthorized repairs or alterations.

Should any defect in material or workmanship occur during the above time period in any product, as determined by Harrington Hoist's inspection of the product, Harrington Hoists, Inc. agrees, at its discretion, either to replace (not including installation) or repair the part or product free of charge and deliver said item F.O.B. Harrington Hoists, Inc. place of business to customer.

Customer must obtain a Return Goods Authorization as directed by Harrington or Harrington's published repair center prior to shipping product for warranty evaluation. An explanation of the complaint must accompany the product. Product must be returned freight prepaid. Upon repair, the product will be covered for the remainder of the original warranty period. Replacement parts installed after the original warranty period will only be eligible for replacement (not including installation) for a period of one year from the installation date. If it is determined there is no defect, or that the defect resulted from causes not within the scope of Harrington's warranty, the customer will be responsible for the costs of returning the product.

Harrington Hoists, Inc. disclaims any and all other warranties of any kind expressed or implied as to the product's merchantability or fitness for a particular application. Harrington will not be liable for death, injuries to persons or property or for incidental, contingent, special or consequential damages, loss or expense arising in connection with the use or inability whatever, regardless of whether damage, loss or expense results from any act or failure to act by Harrington, whether negligent or willful, or from any other reason.

Harrington Hoists, Inc.  
401 West End Avenue  
Manheim, PA 17545



[www.harringtonhoists.com](http://www.harringtonhoists.com)

Toll Free: 800-233-3010  
Phone: 717-665-2000  
Fax: 717-665-2861

