

FEATURES AND BENEFITS OF 202 AND 203 LOUDEN HOIST TROLLEYS FOR USE WITH ELECTRIC, AIR OR HAND OPERATED HOISTS

FEATURES	BENEFITS
Engineered for specific hoists.	Optimizes fit of hoists to trolley, and both to the track system.
Utilizes flat tread wheels turned from forged steel blanks with heat treated tread and flange, 425 minimum hardness.	Long wearing tread and flange for exceptionally long service life, with minimum rolling friction.
Precision ball or tapered roller bearings mating wheel with high strength axle.	Easy horizontal movement of hoist along track, longevity of components.
Trolley yokes are one (1) piece, cold formed steel.	Structural and dimensional integrity, resulting in a consistently high quality component.
All trolleys are fully articulating.	Equalizes load to both sides of rail, minimizing unit stresses, resulting in longer life of track. Definite plus over "Kingpin" type. Additionally, trolleys guide smoothly around curves and through switches and latches.
Engineered loadbar, with properly spaced trolleys.	Equalizes wheel loads along track for lower unit stresses (as above), plus protecting hoist body from damage with rugged bumpers.
Bolt through sides of yoke.	Contains loadbar in trolley, and is easily removed, simplifying erection of system.

SPECIFICATIONS:

Hoist trolleys are designed to run on either 2" or 3.33" wide operating flange and are engineered for the specific hoist being used. Trolley design is chiefly dependent upon the hoist capacity, reeving, mounting configuration and weight. Other considerations are duty cycle and the layout of the track, such as those systems which use curves, switches or latches. Dimensions other than the trolley itself are dictated by the Hoist Manufacturer.

Hoist trolleys are designed for easy hand propelling, or may be coupled to a MOTOVEYOR for motorized horizontal travel on the track.

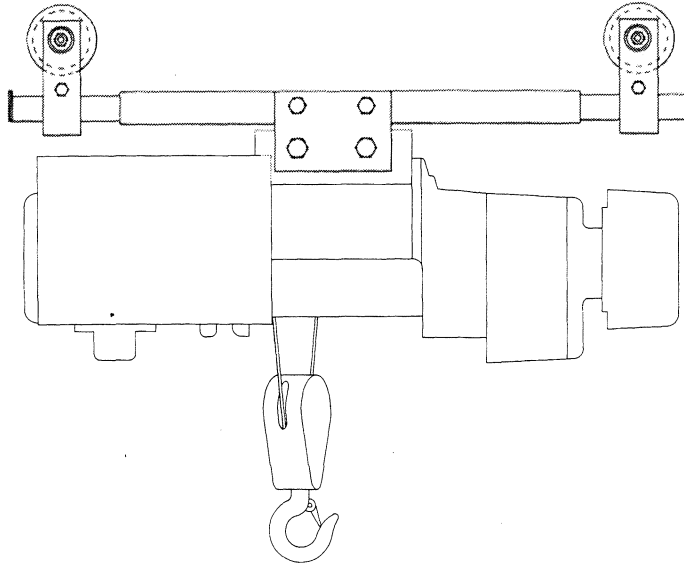
Trolleys shown with flanged wheels are also available as flangless with side guide rollers.

For spark-resistant wheels, or other special applications, consult the home office.

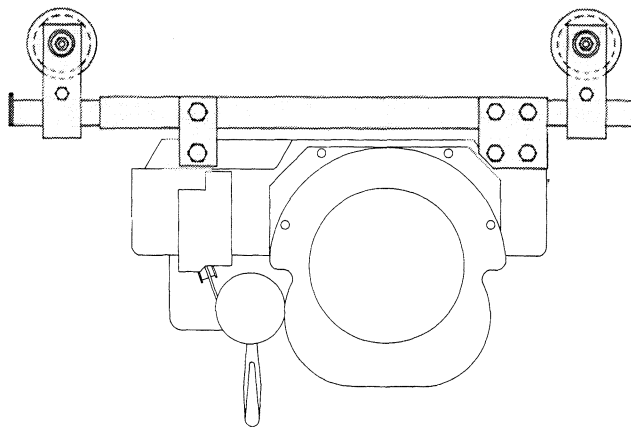
Dimensions, if shown, are approximate. Certified prints will be furnished upon request.

Not shown are Hoist Trolleys without bumper protection. They are available for some models of parallel mounted hoists up to and including 6,000 lb. capacity. These trolleys are 4-wheel and have 4-1/2" tread diameter flanged wheels. Trolleys without bumper protection should NOT be used when more than one hoist is used on the same system. When used on a crane bridge, check for possible interference if the end of the hoist extends beyond the end of the bridge.

Electrified hoists are shown on drawings for reference only. See Hoist Manufacturers specifications for proper dimensions.



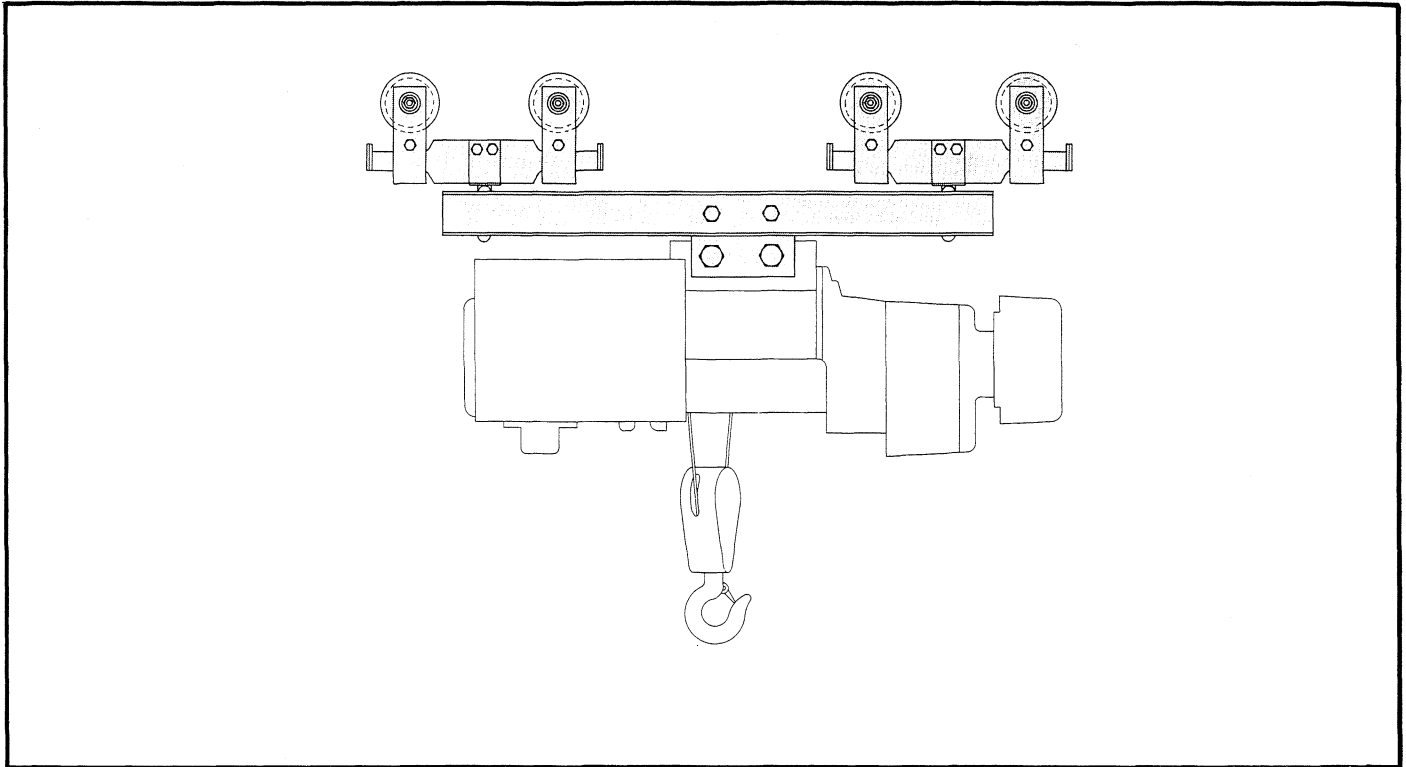
**4-Wheel, Parallel Mounted, with Bumper Protection
4-1/2" Tread diameter flanged wheels**



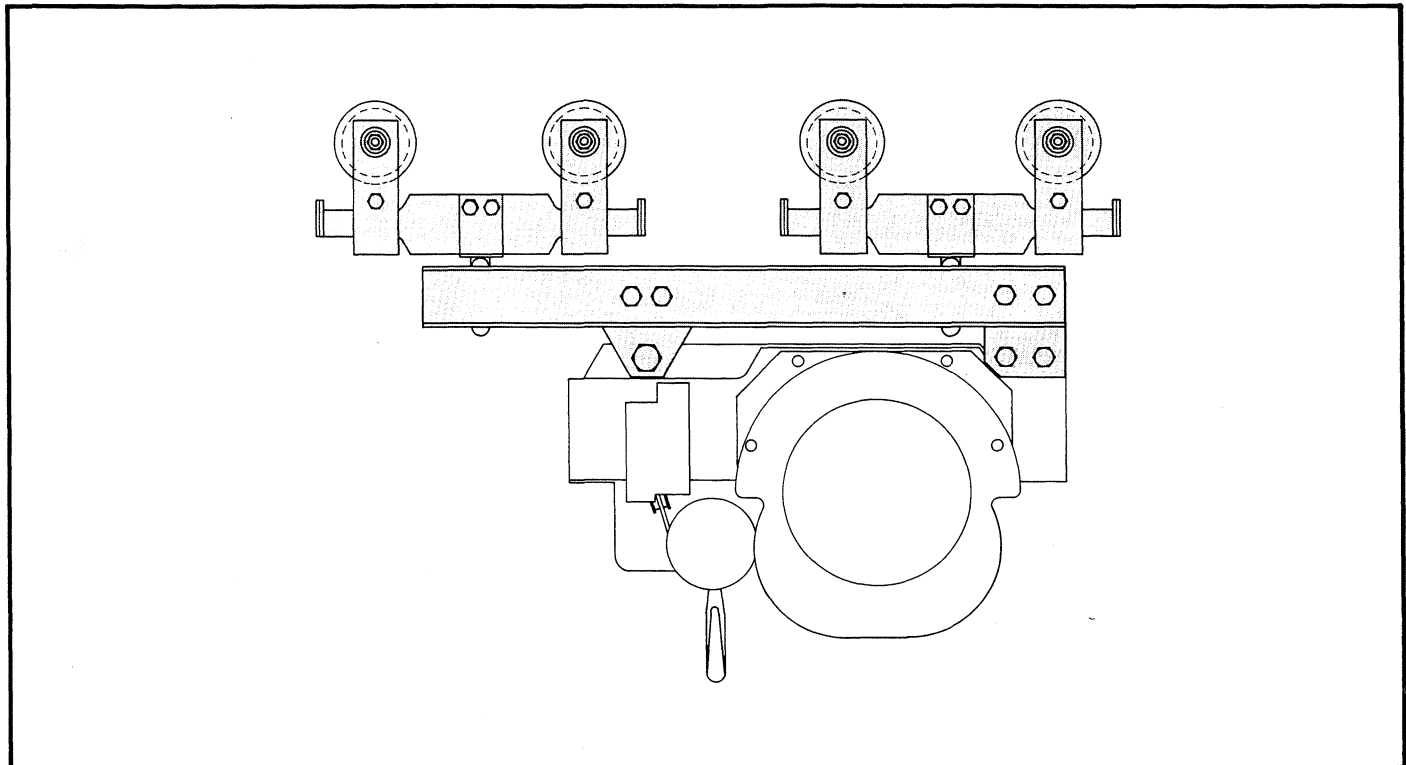
**4-Wheel, Cross Mounted, with Bumper Protection
4-1/2" Tread diameter flanged wheels**

WARNING: Equipment described herein is not designed for and should not be used for lifting, supporting or transporting humans. Use of the equipment for this purpose can result in serious bodily injury and/or property damage.





**8-Wheel, Parallel Mounted, with Bumper Protection
4-1/2" Tread diameter flanged wheels**



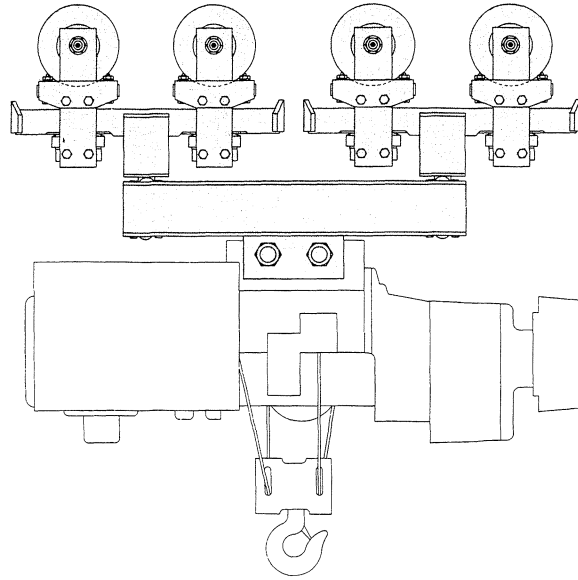
**8-Wheel, Cross Mounted, with Bumper Protection
4-1/2" Tread diameter flanged wheels**

WARNING: Equipment described herein is not designed for and should not be used for lifting, supporting or transporting humans. Use of the equipment for this purpose can result in serious bodily injury and/or property damage.

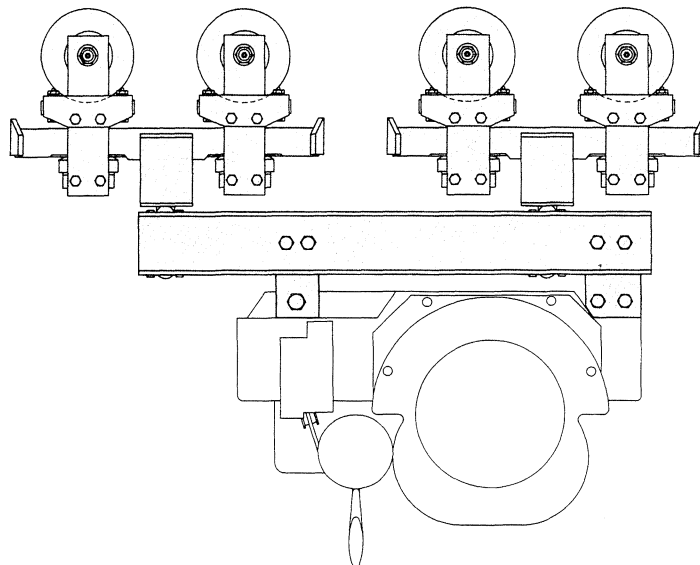


LOUDEN® TROLLEYS FOR ELECTRIC HOISTS

202 & 203-4
Issued 9-7-01



**8-Wheel, Parallel Mounted, with Bumper Protection
9" diameter flangeless wheels with guide rollers**

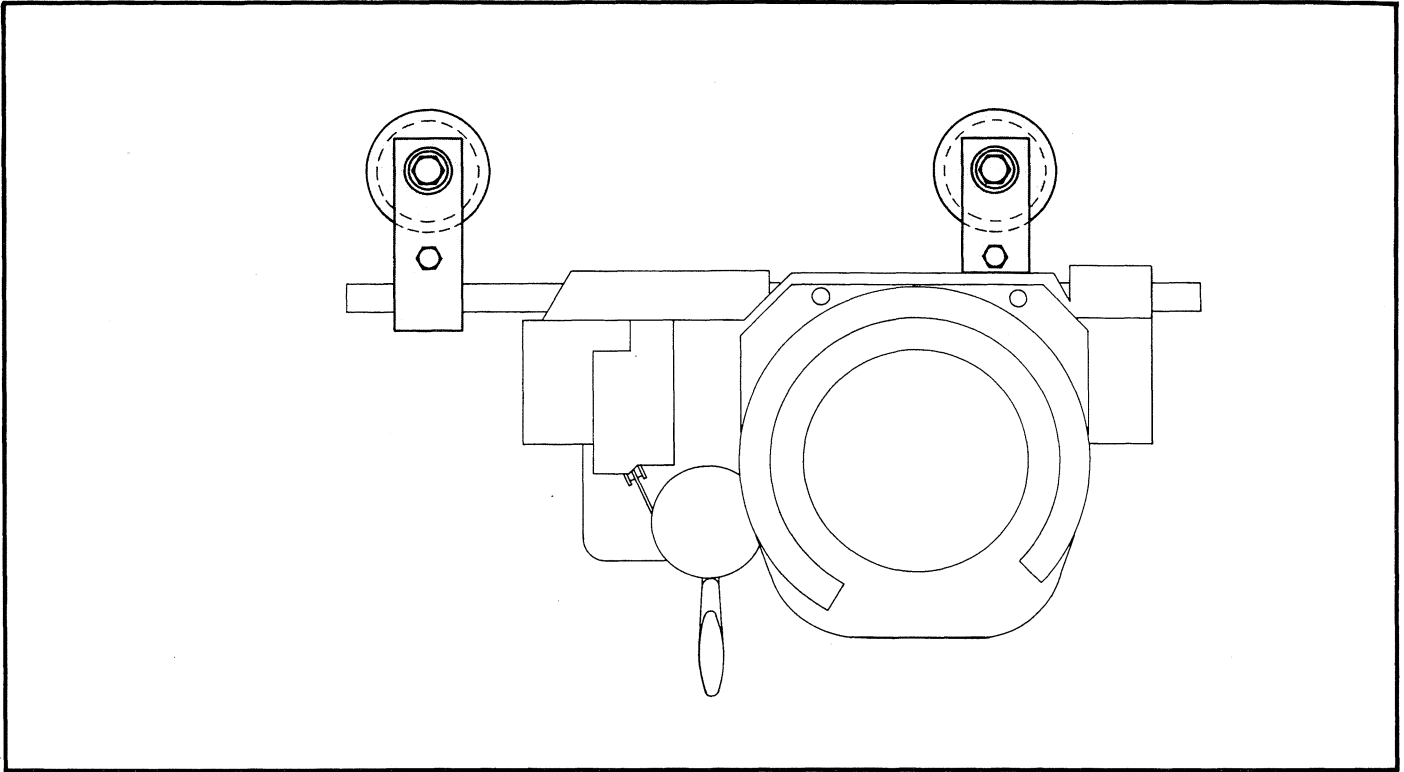


**8-Wheel, Cross Mounted, with Bumper Protection
9" diameter flangeless wheels with guide rollers**

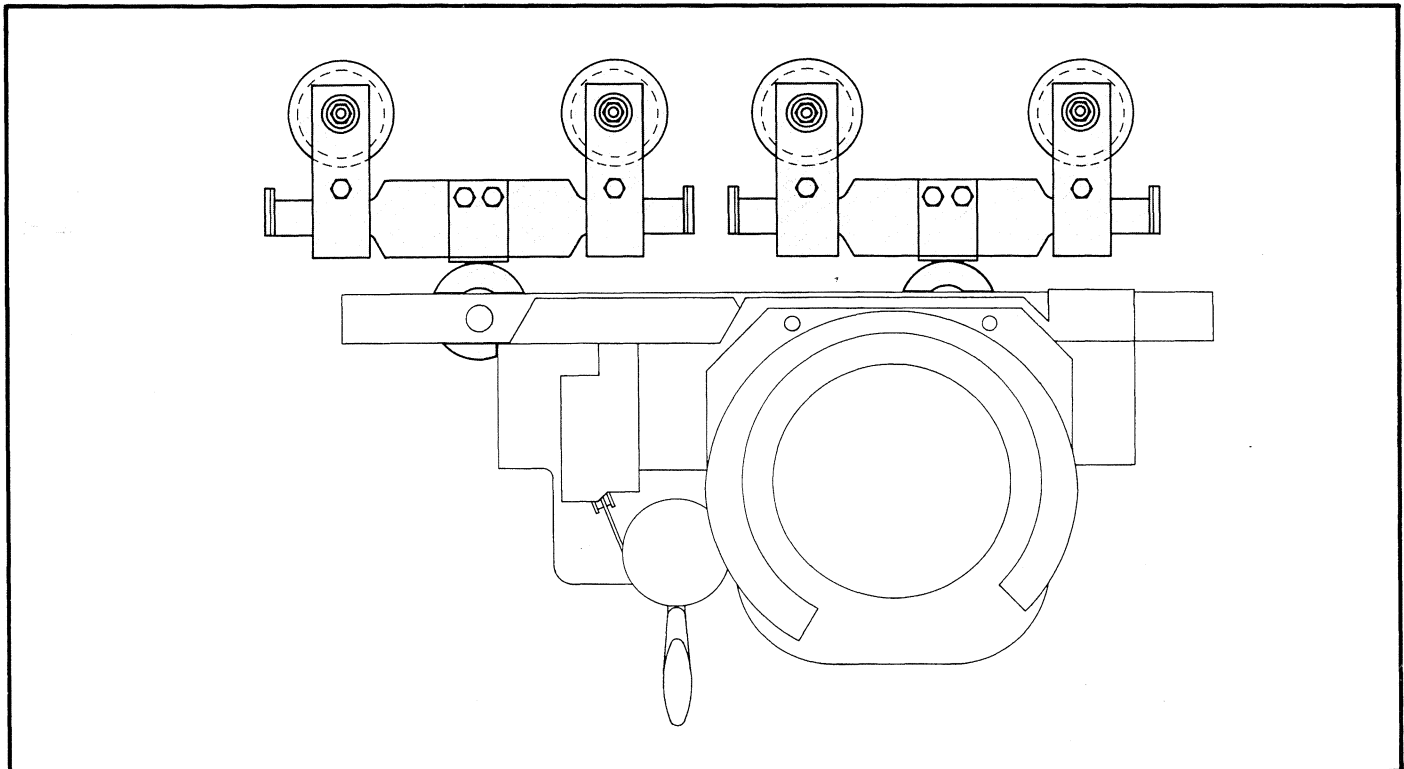


ACCO Material Handling Solutions
76 Acco Drive, Box 792, York, PA 17405-0792
717-741-4863, 800-967-7333, FAX 800-715-8897
E-mail: info@accomhs.com www.accomhs.com

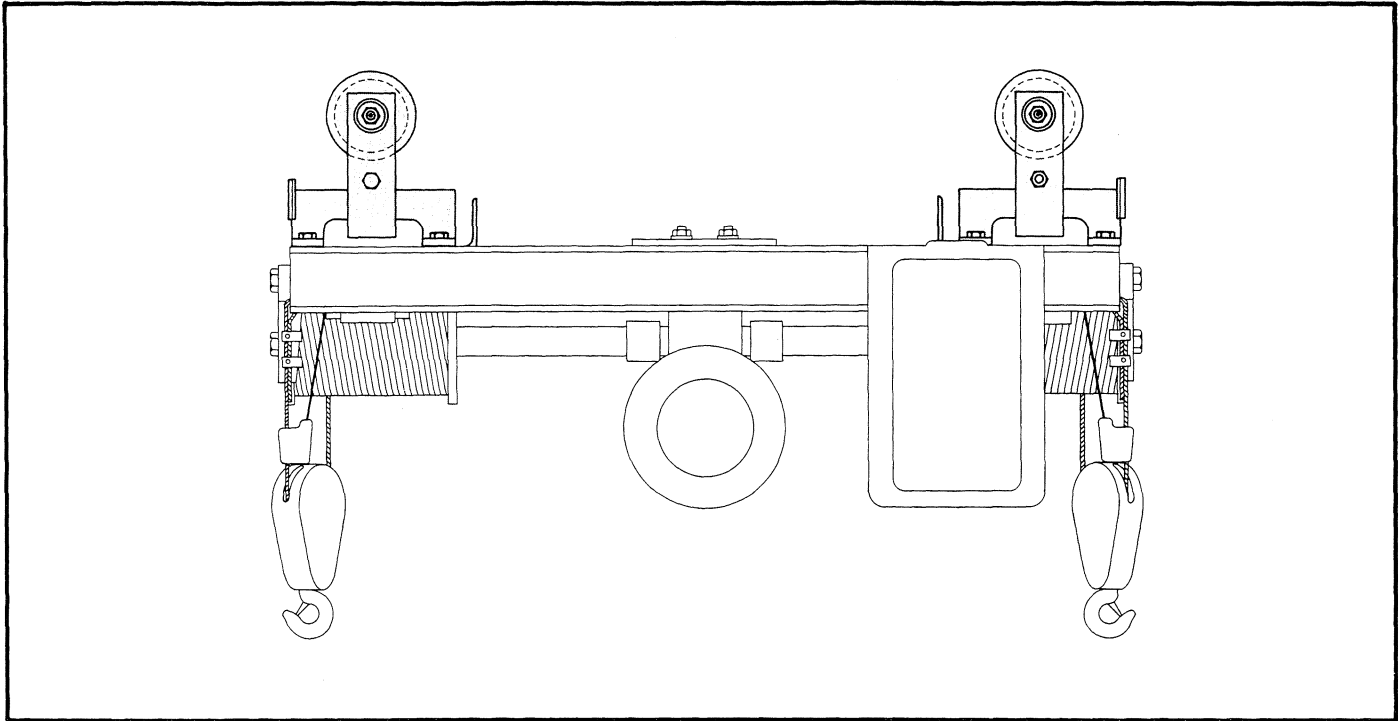
© 2007 FKI Industries Inc.
Printed In USA



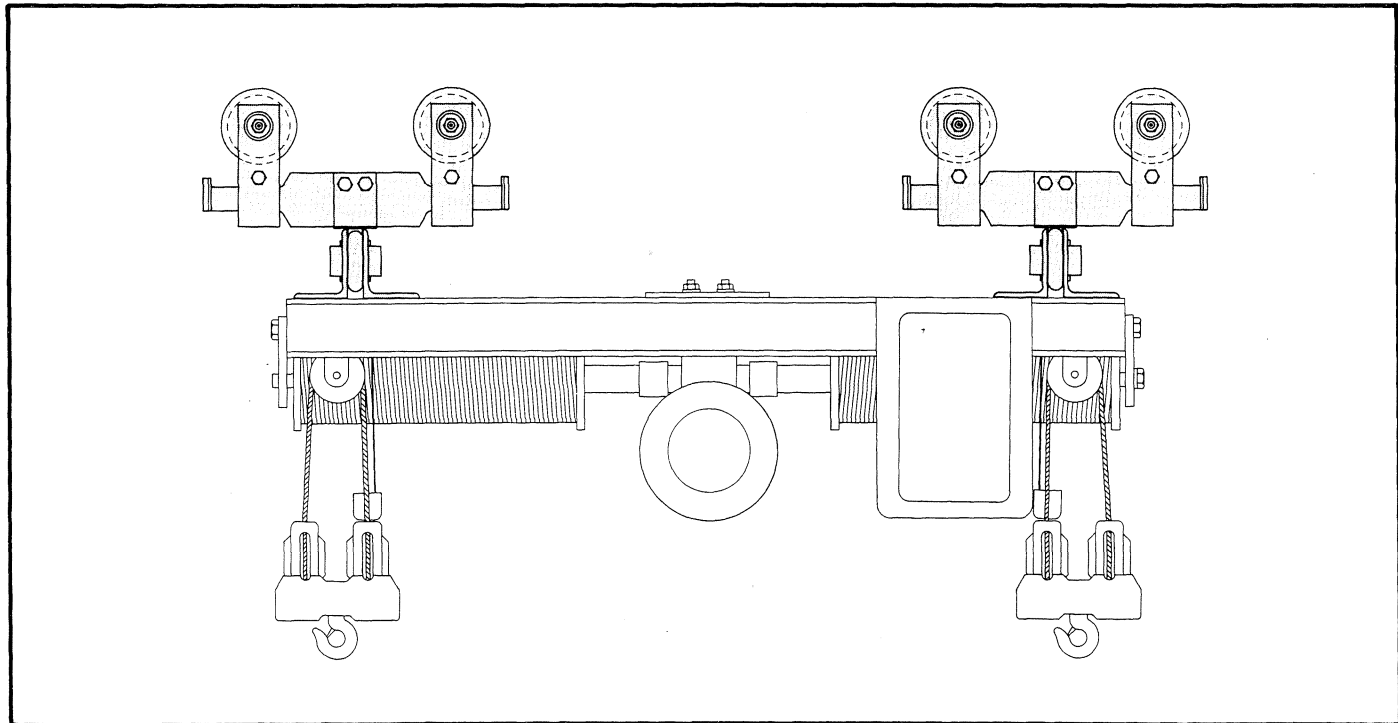
**4-Wheel, Cross Mounted with Nose Piece Mounting
4-1/2" Tread diameter flanged wheels**



**8-Wheel, Cross Mounted, with Nose Piece Mounting
4-1/2" Tread diameter flanged wheels**



**4-Wheel, Twin-Hook, Parallel Mounted
4-1/2" Tread diameter flanged wheels**



**8-Wheel, Twin-Hook, Parallel Mounted
4-1/2" Tread diameter flanged wheels**

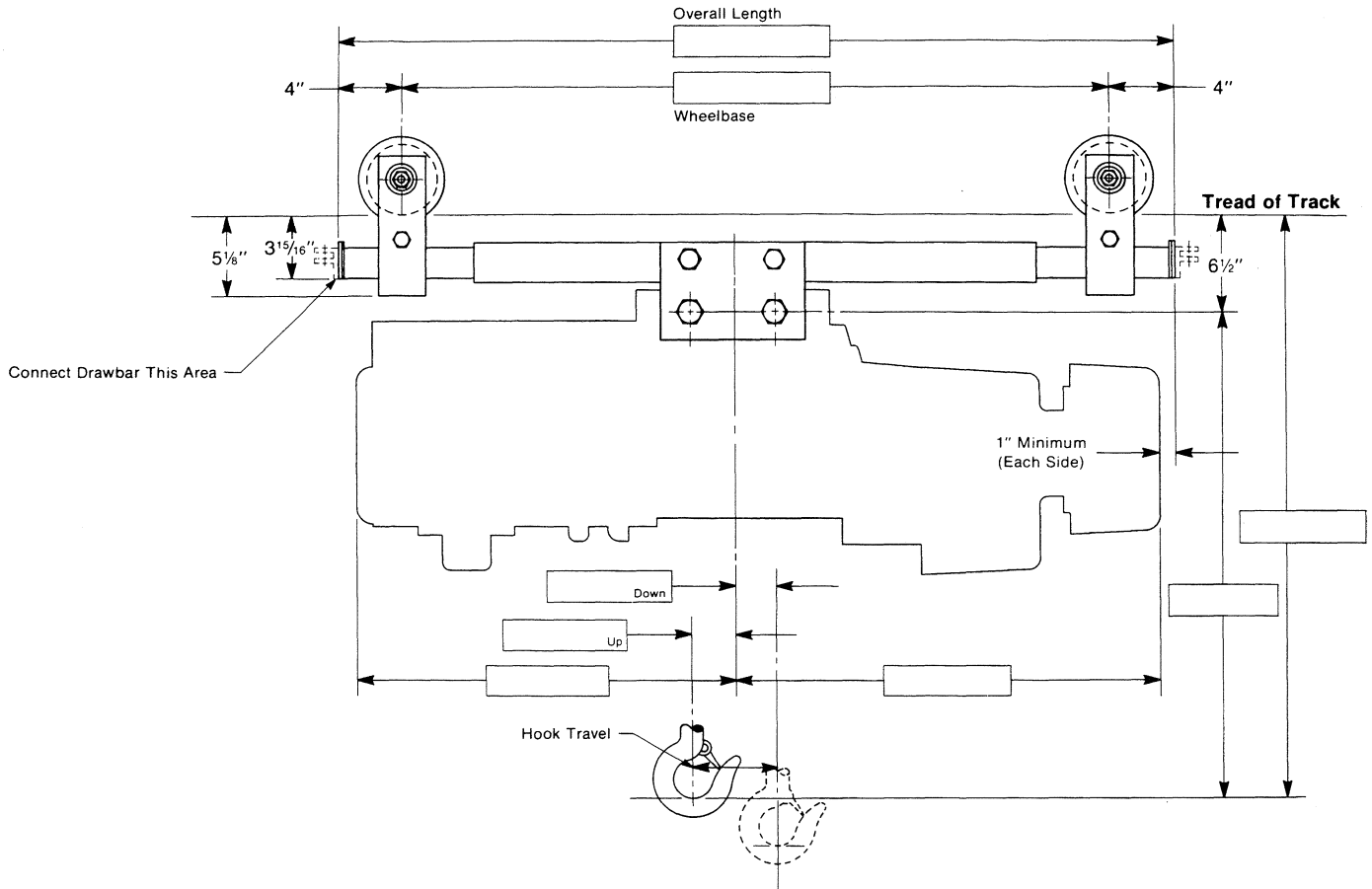
WARNING: Equipment described herein is not designed for and should not be used for lifting, supporting or transporting humans. Use of the equipment for this purpose can result in serious bodily injury and/or property damage.





**Louden® 4-Wheel, Parallel Mounted, with
Bumper Protection.
4½" Tread Diameter Flanged Wheels**

202, 203-2A
Issued 9-7-01



NOTE: NOT TO SCALE

Approximate dimensions are shown.
Certified prints furnished on request.

WARNING: Equipment described herein is not designed for, and should not be used for lifting, supporting or transporting humans.
Failure to comply with any one of the limitations noted herein can result in serious bodily injury and/or property damage.

Make Of Hoist: _____
 Hoist Cat. No.: _____
 Capacity: _____
 Lift in Feet: _____
 Lift Speed: _____
 Speed Type: _____
 Current: _____



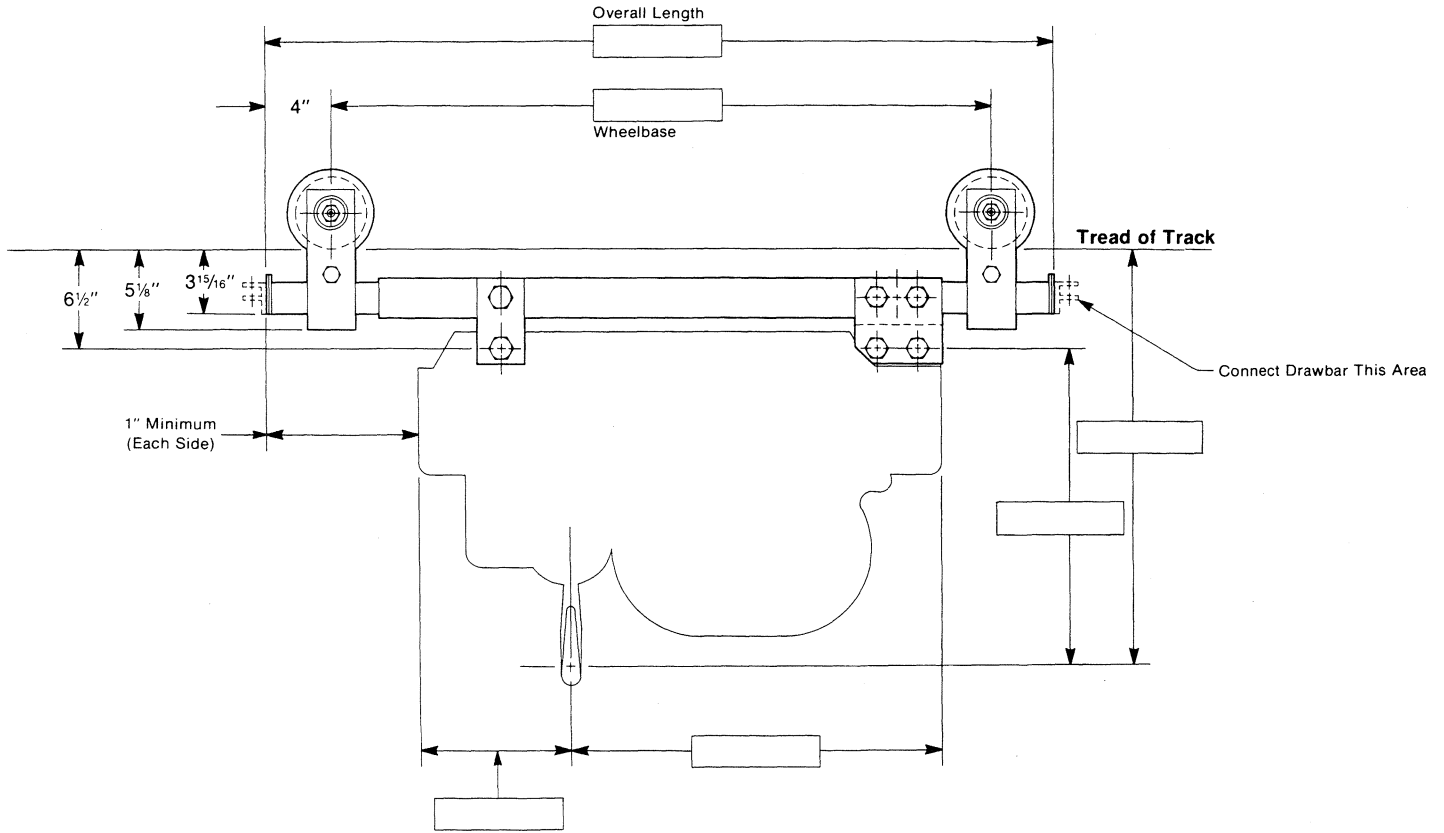
ACCO Material Handling Solutions
 76 Acco Drive, Box 792, York, PA 17405-0792
 717-741-4863, 800-967-7333, FAX 800-715-8897
 E-mail: info@accmhs.com www.accmhs.com

© 2007 FKI Industries Inc.
Printed in USA



**LOUDEN® 4-Wheel, Cross Mounted, with
Bumper Protection.
4½" Tread Diameter Flanged Wheels**

202, 203-2B
Issued 9-7-01



NOTE: NOT TO SCALE

Approximate dimensions are shown.
Certified prints furnished on request.

WARNING: Equipment described herein is not designed for, and should not be used for lifting, supporting or transporting humans.

Failure to comply with any one of the limitations noted herein can result in serious bodily injury and/or property damage.

Make Of Hoist: _____
 Hoist Cat. No.: _____
 Capacity: _____
 Lift in Feet: _____
 Lift Speed: _____
 Speed Type: _____
 Current: _____



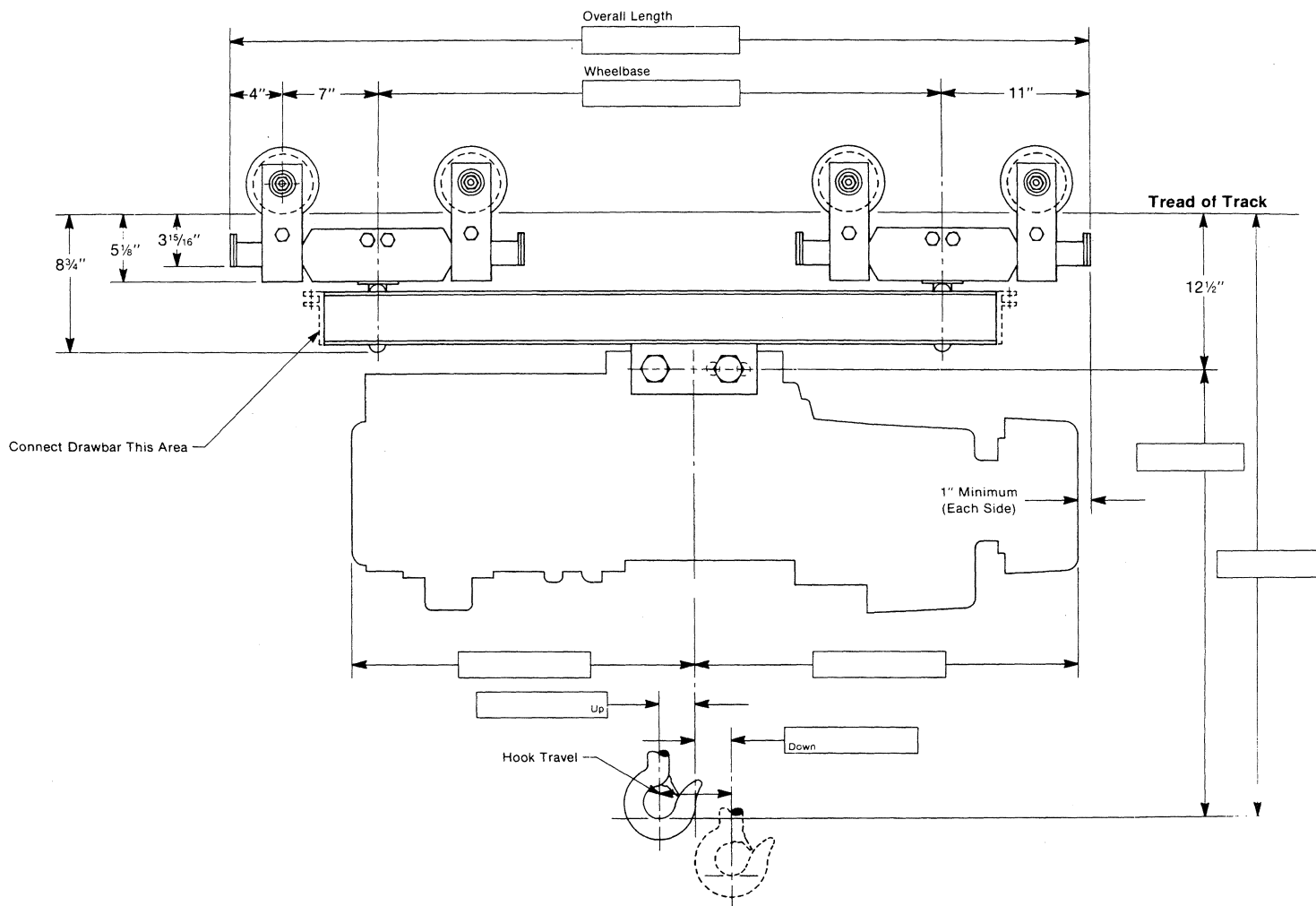
ACCO Material Handling Solutions
 76 Acco Drive, Box 792, York, PA 17405-0792
 717-741-4863, 800-967-7333, FAX 800-715-8897
 E-mail: info@accomhs.com www.accomhs.com

© 2007 FKI Industries Inc.
Printed In USA



LOUDEN® 8-Wheel, Parallel Mounted, with Bumper Protection.
4½" Tread Diameter Flanged Wheels

202, 203-3A
 Issued 9-7-01



NOTE: NOT TO SCALE
 Approximate dimensions are shown.
 Certified prints furnished on request.

WARNING: Equipment described herein is not designed for, and should not be used for lifting, supporting or transporting humans.
 Failure to comply with any one of the limitations noted herein can result in serious bodily injury and/or property damage.

Make Of Hoist: _____
 Hoist Cat. No.: _____
 Capacity: _____
 Lift in Feet: _____
 Lift Speed: _____
 Speed Type: _____
 Current: _____



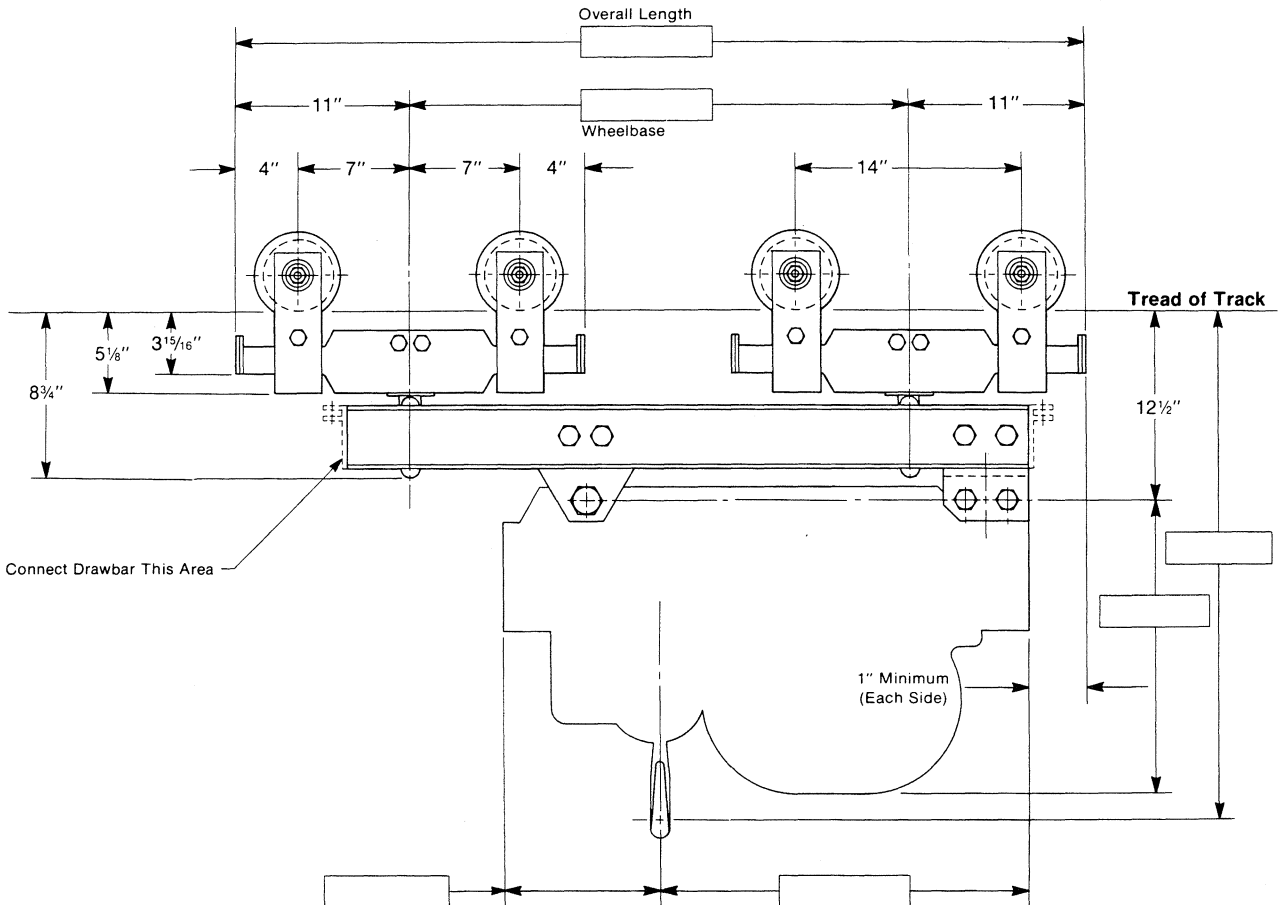
ACCO Material Handling Solutions
 76 Acco Drive, Box 792, York, PA 17405-0792
 717-741-4863, 800-967-7333, FAX 800-715-8897
 E-mail: info@accomhs.com www.accomhs.com

© 2007 FKI Industries Inc.
 Printed In USA



**LOUDEN® 8-Wheel, Cross Mounted, with
Bumper Protection.
4½" Tread Diameter Flanged Wheels**

202, 203-3B
Issued 9-7-01



NOTE: NOT TO SCALE

Approximate dimensions are shown.
Certified prints furnished on request.

WARNING: Equipment described herein is not designed for, and should not be used for lifting, supporting or transporting humans.

Failure to comply with any one of the limitations noted herein can result in serious bodily injury and/or property damage.

Make Of Hoist: _____
 Hoist Cat. No.: _____
 Capacity: _____
 Lift in Feet: _____
 Lift Speed: _____
 Speed Type: _____
 Current: _____



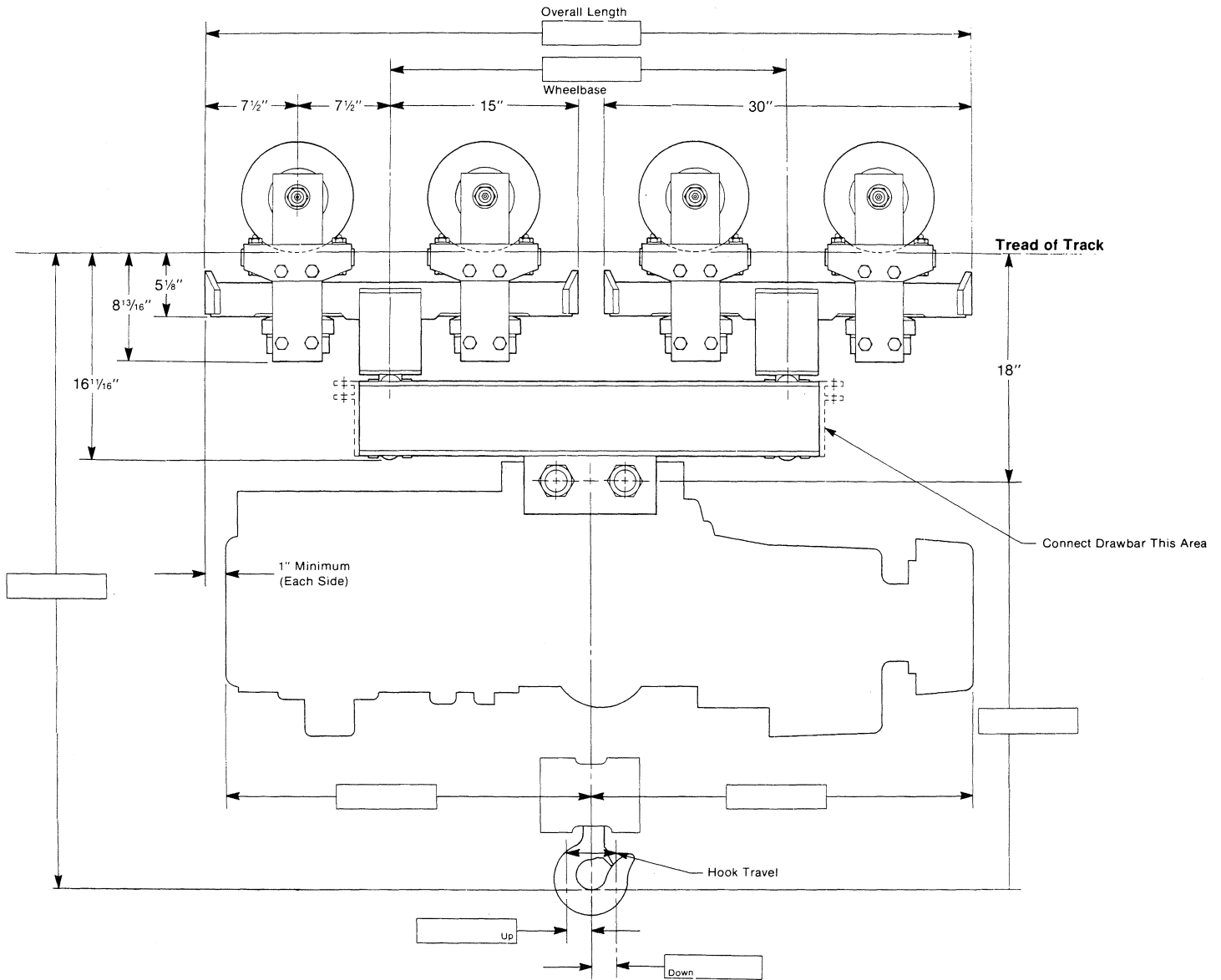
ACCO Material Handling Solutions
 76 Acco Drive, Box 792, York, PA 17405-0792
 717-741-4863, 800-967-7333, FAX 800-715-8897
 E-mail: info@accomhs.com www.accomhs.com

© 2007 FKI Industries Inc.
Printed In USA



LOUDEN® 8-Wheel, Parallel Mounted, with Bumper Protection. 9" Diameter Flangeless Wheels with Guide Rollers

202, 203-4A
Issued 9-7-01



NOTE: NOT TO SCALE

Approximate dimensions are shown.
Certified prints furnished on request.

WARNING: Equipment described herein is not designed for, and should not be used for lifting, supporting or transporting humans.

Failure to comply with any one of the limitations noted herein can result in serious bodily injury and/or property damage.

Make Of Hoist: _____
Hoist Cat. No.: _____
Capacity: _____
Lift in Feet: _____
Lift Speed: _____
Speed Type: _____
Current: _____



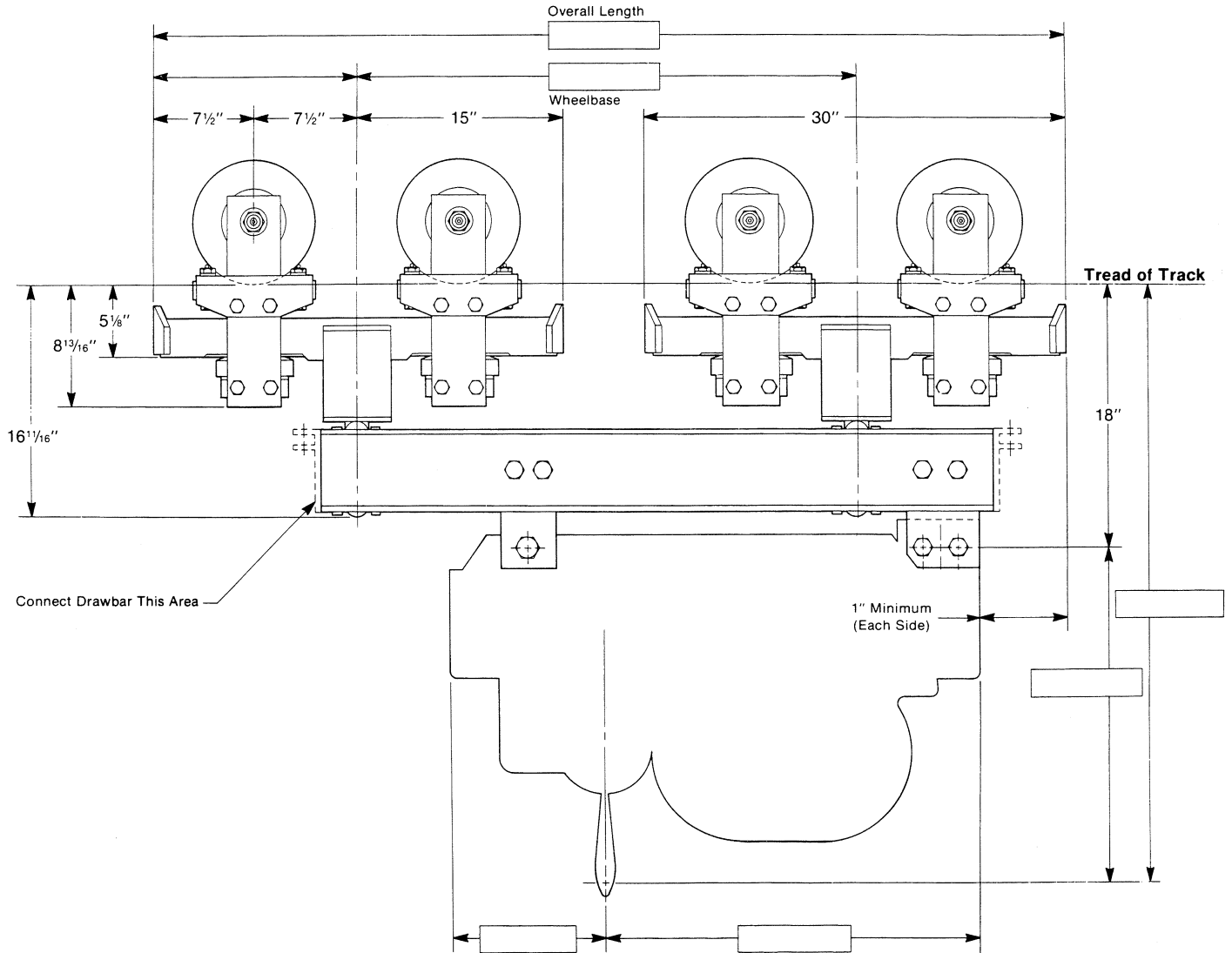
ACCO Material Handling Solutions
76 Acco Drive, Box 792, York, PA 17405-0792
717-741-4863, 800-967-7333, FAX 800-715-8897
E-mail: info@accomhs.com www.accomhs.com

© 2007 FKI Industries Inc.
Printed In USA



**LOUDEN® 8-Wheel, Cross Mounted, with
Bumper Protection.
9" Diameter Flangeless Wheels with Guide Rollers**

202, 203-4B
Issued 9-7-01



NOTE: NOT TO SCALE
Approximate dimensions are shown.
Certified prints furnished on request.

WARNING: Equipment described herein is not designed for, and should not be used for lifting, supporting or transporting humans.
Failure to comply with any one of the limitations noted herein can result in serious bodily injury and/or property damage.

Make Of Hoist: _____
 Hoist Cat. No.: _____
 Capacity: _____
 Lift in Feet: _____
 Lift Speed: _____
 Speed Type: _____
 Current: _____



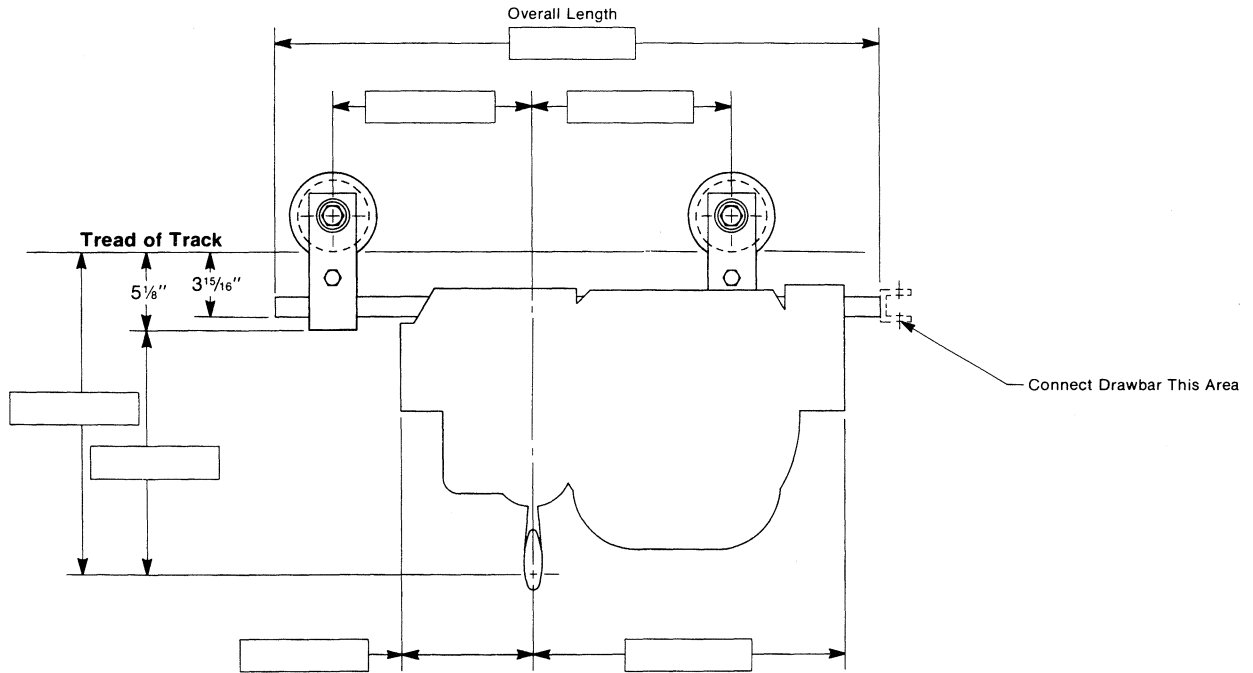
ACCO Material Handling Solutions
 76 Acco Drive, Box 792, York, PA 17405-0792
 717-741-4863, 800-967-7333, FAX 800-715-8897
 E-mail: info@accomhs.com www.accomhs.com

© 2007 FKI Industries Inc.
Printed In USA



**LOUDEN® 4-Wheel, Cross Mounted, with
Nose Piece Mounting.
4½" Tread Diameter Flanged Wheels**

202, 203-5A
Issued 9-7-01



NOTE: NOT TO SCALE

Approximate dimensions are shown.
Certified prints furnished on request.

WARNING: Equipment described herein is not designed for, and should not be used for lifting, supporting or transporting humans.

Failure to comply with any one of the limitations noted herein can result in serious bodily injury and/or property damage.

Make Of Hoist: _____

Hoist Cat. No.: _____

Capacity: _____

Lift in Feet: _____

Lift Speed: _____

Speed Type: _____

Current: _____



ACCO Material Handling Solutions

76 Acco Drive, Box 792, York, PA 17405-0792

717-741-4863, 800-967-7333, FAX 800-715-8897

E-mail: info@accomhs.com www.accomhs.com

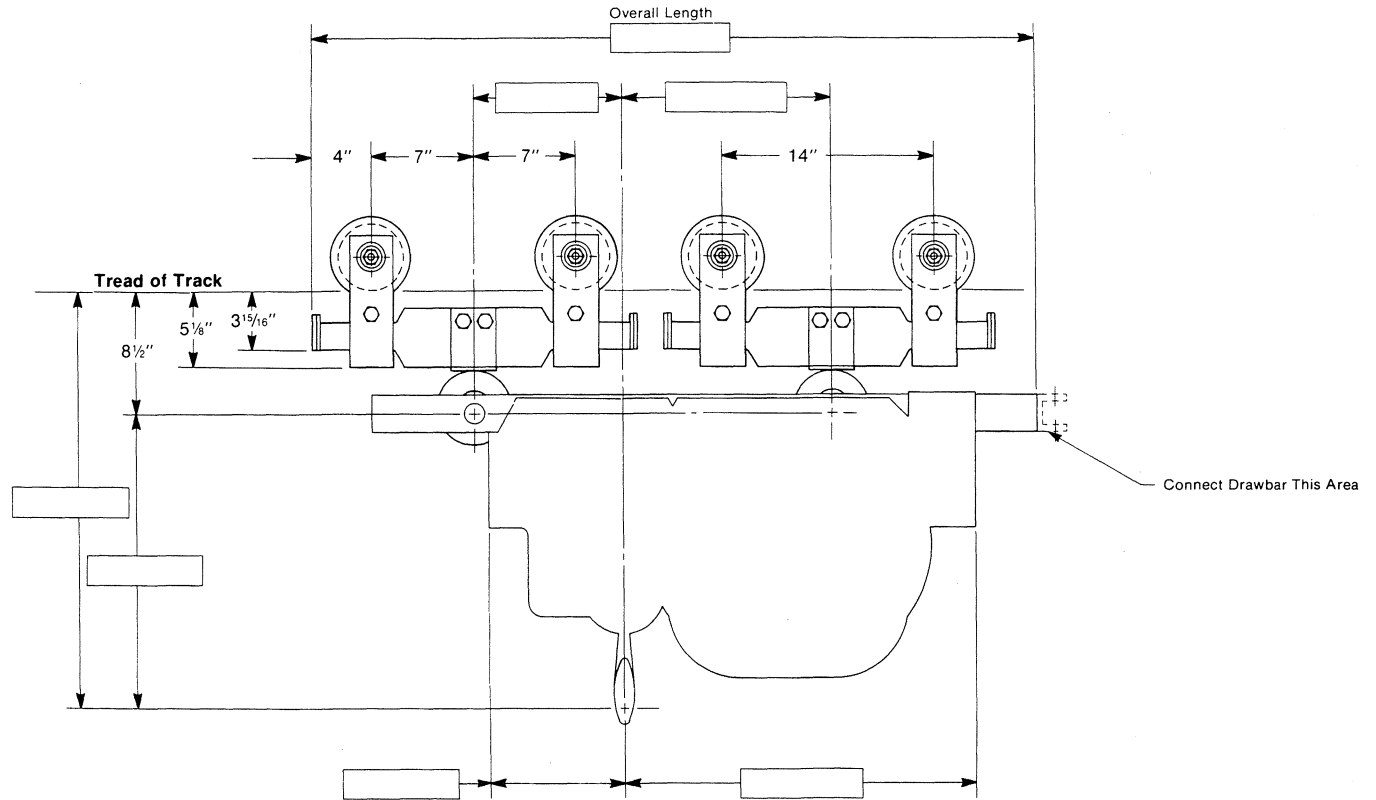
© 2007 FKI Industries Inc.

Printed In USA



**LOUDEN® 8-Wheel, Cross Mounted, with
Nose Piece Mounting.
4½" Tread Diameter Flanged Wheels**

202, 203-5B
Issued 9-7-01



NOTE: NOT TO SCALE
Approximate dimensions are shown.
Certified prints furnished on request.

WARNING: Equipment described herein is not designed for, and should not be used for lifting, supporting or transporting humans.
Failure to comply with any one of the limitations noted herein can result in serious bodily injury and/or property damage.

Make Of Hoist: _____
Hoist Cat. No.: _____
Capacity: _____
Lift in Feet: _____
Lift Speed: _____
Speed Type: _____
Current: _____



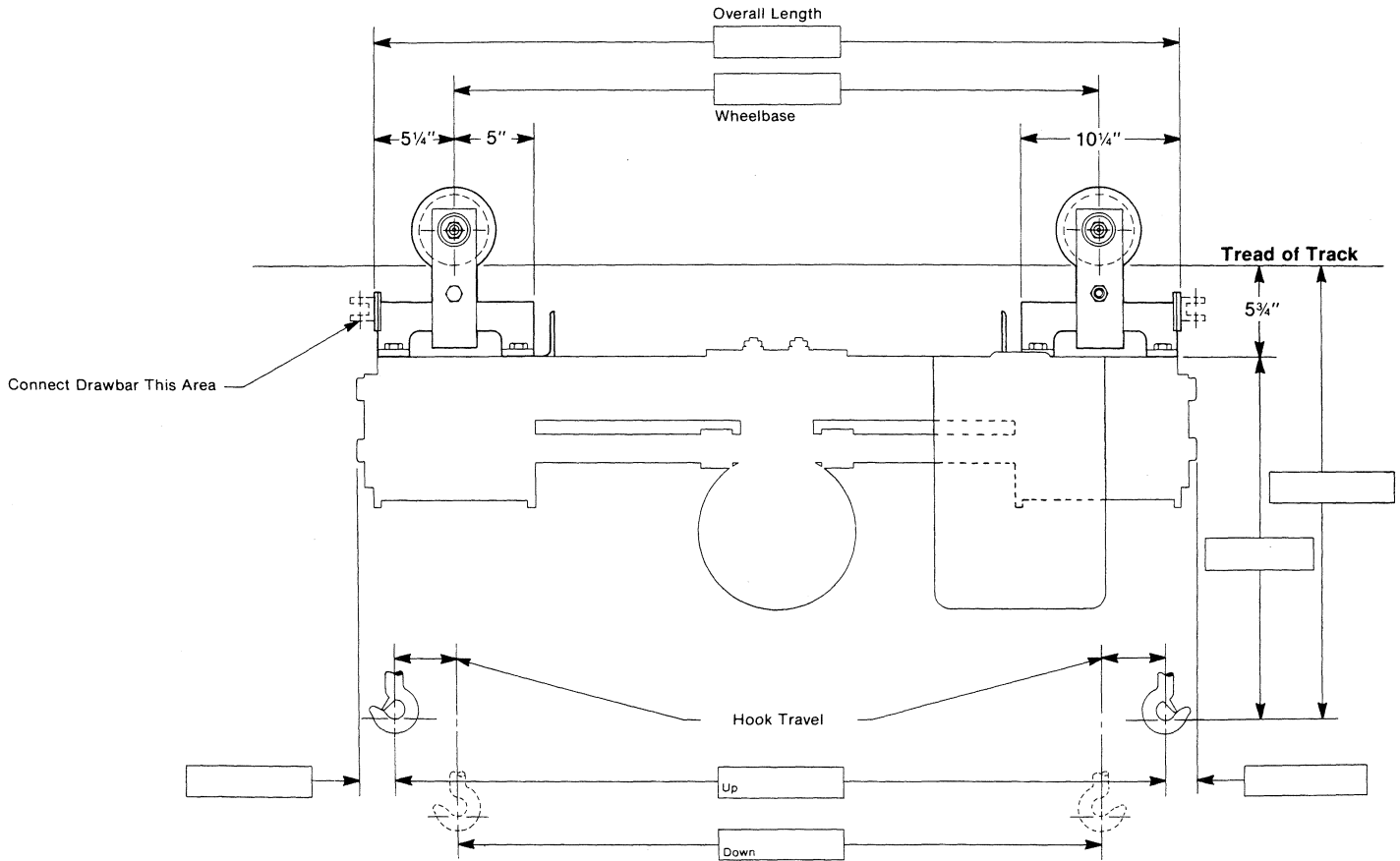
ACCO Material Handling Solutions
76 Acco Drive, Box 792, York, PA 17405-0792
717-741-4863, 800-967-7333, FAX 800-715-8897
E-mail: info@accomhs.com www.accomhs.com

© 2007 FKI Industries Inc.
Printed In USA



**LOWDEN® 4-Wheel, Twin Hook, Parallel Mounted.
4½" Tread Diameter Flanged Wheels**

202, 203-6A
Issued 9-7-01



NOTE: NOT TO SCALE
Approximate dimensions are shown.
Certified prints furnished on request.

WARNING: Equipment described herein is not designed for, and should not be used for lifting, supporting or transporting humans.
Failure to comply with any one of the limitations noted herein can result in serious bodily injury and/or property damage.

Make Of Hoist: _____
Hoist Cat. No.: _____
Capacity: _____
Lift in Feet: _____
Lift Speed: _____
Speed Type: _____
Current: _____



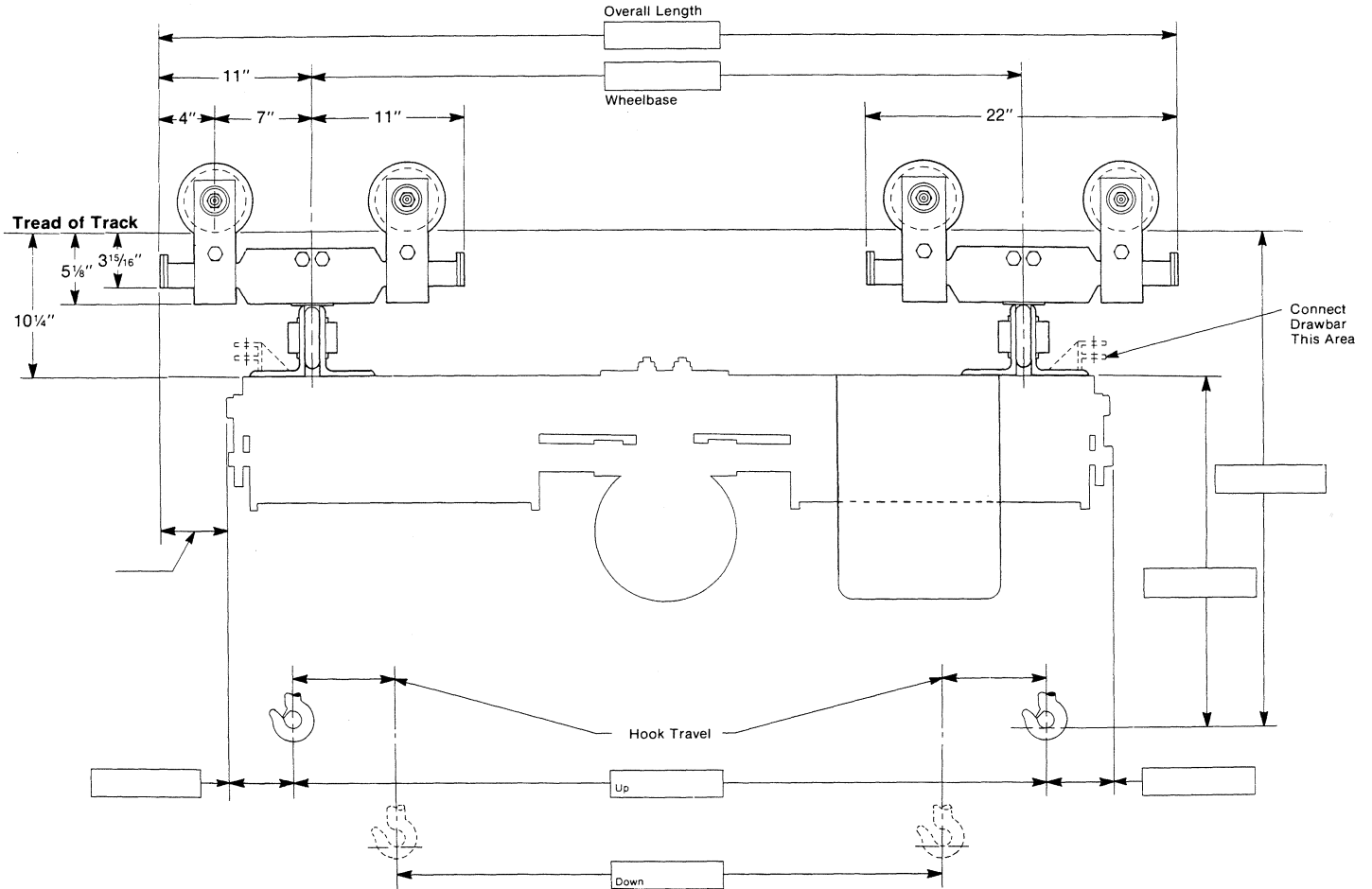
ACCO Material Handling Solutions
76 Acco Drive, Box 792, York, PA 17405-0792
717-741-4863, 800-967-7333, FAX 800-715-8897
E-mail: info@accomhs.com www.accomhs.com

© 2007 FKI Industries Inc.
Printed In USA



**LOUDEN® 8-Wheel, Twin Hook, Parallel Mounted.
4½" Tread Diameter Flanged Wheels**

202, 203-6B
Issued 9-7-01



NOTE: NOT TO SCALE

Approximate dimensions are shown.
Certified prints furnished on request.

WARNING: Equipment described herein is not designed for, and should not be used for lifting, supporting or transporting humans.

Failure to comply with any one of the limitations noted herein can result in serious bodily injury and/or property damage.

Make Of Hoist: _____
 Hoist Cat. No.: _____
 Capacity: _____
 Lift in Feet: _____
 Lift Speed: _____
 Speed Type: _____
 Current: _____



ACCO Material Handling Solutions
 76 Acco Drive, Box 792, York, PA 17405-0792
 717-741-4863, 800-967-7333, FAX 800-715-8897
 E-mail: info@accomhs.com www.accomhs.com

© 2007 FKI Industries Inc.
Printed In USA

LOUDEN®
DOUBLE GIRDER MOTOR
PROPELLED HOIST TROLLEYS
TO RUN ON 3.33" FLANGE
DOUBLE GIRDER CRANES.

LOUDEN® DOUBLE GIRDER, MOTOR PROPELLED HOIST TROLLEYS

The Louden Series 210 & 210T center drive double girder hoist trolley is offered in capacities of 1 through 15 tons. Standard travel speed is 75 F.P.M., single speed. Optional travel speeds (single speed) are 50, 110, 135, 165, 190, and 255 F.P.M. Other optional speeds are 2-speed, and variable speed. High speeds listed above.

All speeds, except variable, will have adjustable torque and speed ramps through the use of the Acco Acceleration Control Module, a solid state device providing smooth travel motion and excellent load control.

Standard drive motors are T.E.N.V., 30 minute, with Class F insulation, 55 degree rise over 60 degree ambient. All drive motors will have an AC disc brake as standard.

Available current characteristics are 460/230 volts, 3 phase, 60 Hertz, with 115 volt control circuit.

The gear reducer utilizes Helical gears cut from solid blanks to AGMA specifications. All gears are supported at both ends of the gear shaft by tapered roller bearings, and are enclosed in an oil-tight housing and run in an oil bath.

The drive tires are spring loaded to the underside of the runways, enabling all load wheels to be idler wheels. Load wheels are drop forged and hardened to 425 Brinell minimum. Wheels are flanged, with 4½ inch tread diameter, or 9" diameter, flangeless with guide rollers, and bearings are double row ball or tapered roller type.

Standard electrical equipment includes NEMA type 3R enclosure, branch circuit fuses, single speed magnetic reversing contactor, transformer with fused secondary.

Each hoist trolley is custom designed for the hoist it carries and to fit the crane from which it is to be supported. It is designed to meet or exceed the standards of the Monorail Manufacturers Association and ANSI specification #MH27.1-1996.

The 210 & 210T series hoist trolley is designed for Class C moderate service (as defined by the above ANSI standard) and is fully assembled before shipment. The hoist trolley will be painted with one coat of yellow lead free alkyd enamel.

WARNING: Equipment described herein is not designed for and should not be used for lifting, supporting or transporting humans. Use of the equipment for this purpose can result in serious bodily injury and/or property damage.



**DOUBLE GIRDER MOTOR PROPELLED HOIST TROLLEYS TO
 RUN ON 3.33" FLANGE DOUBLE GIRDER CRANES,
 FOR USE WITH ELECTRIC OR AIR HOISTS.**

Catalog Number	Capacity (Lbs.)	Trolley Weight (Lbs.)	H.P.	Overhang (In.)	End Truck		Design Load (Lbs.) (1)
			Speed		Whls.	Cap.	
			75 F.P.M.				
210.2003	2,000	1,160	¾	7	4	5,000	3,250
210.4003	4,000	1,290	¾	7	4	5,000	5,630
210.6003	6,000	1,290	¾	7	4	10,000	8,000
210.10003	10,000	1,500	¾	7	4	10,000	14,150
210.15003	15,000	2,425	1	8½	8	20,000	21,050
210.20003	20,000	2,685	1	8½	8	20,000	26,800
210T.30003	30,000	3,960	1½	9½	8	30,000	38,730

NOTES:

1. Design Load = Live Load, plus 15% live load for impact, plus weight of hoist.
2. Weights listed include single speed drive and controls.
3. Manual and magnetic disconnect switches are not included since these are usually mounted on crane.

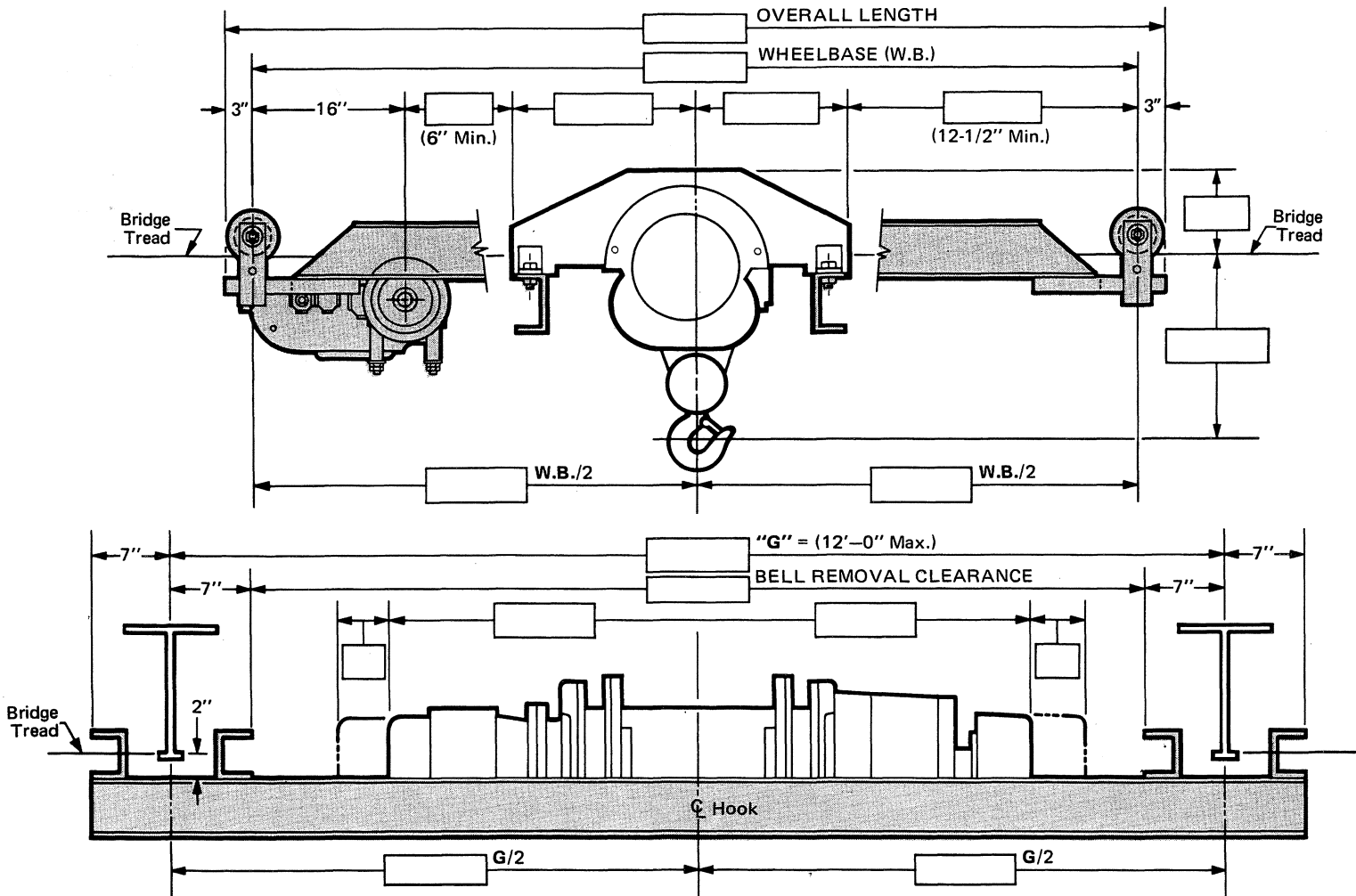
WARNING: Equipment described herein is not designed for and should not be used for lifting, supporting, or transporting humans. Use of the equipment for this purpose can result in serious bodily injury and/or property damage.





**DOUBLE GIRDER MOTOR PROPELLED HOIST TROLLEYS TO
RUN ON 3.33" FLANGE DOUBLE GIRDER CRANES,
FOR USE WITH ELECTRIC OR AIR HOISTS.**

CATALOG NOS. 210.2003, 210.4003, 210.6003 & 210.10003



NOTE: All dimensions are approximate. Certified drawings will be supplied after completion of engineering.

WARNING: Equipment described herein is not designed for and should not be used for lifting, supporting, or transporting humans. Use of the equipment for this purpose can result in serious bodily injury and/or property damage.

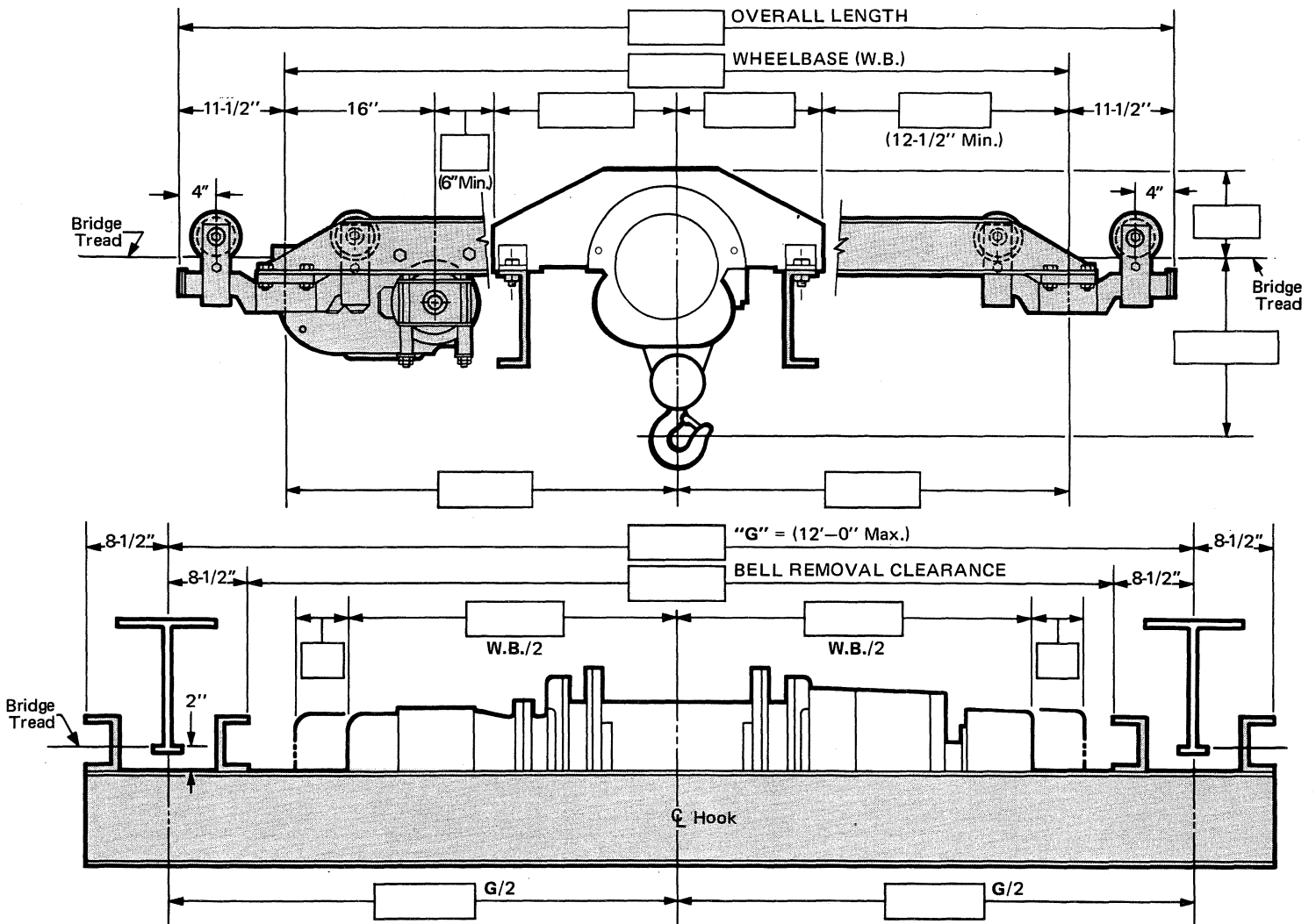


Louden®
DOUBLE GIRDER, MOTOR PROPELLED
HOIST TROLLEYS

Bulletin 210 Page 4
 Issued 9-7-01

DOUBLE GIRDER MOTOR PROPELLED HOIST TROLLEYS TO
RUN ON 3.33" FLANGE DOUBLE GIRDER CRANES,
FOR USE WITH ELECTRIC OR AIR HOISTS.

CATALOG NOS. 210.15003 & 210.20003



NOTE: All dimensions are approximate. Certified drawings will be supplied after completion of engineering.

WARNING: Equipment described herein is not designed for and should not be used for lifting, supporting, or transporting humans. Use of the equipment for this purpose can result in serious bodily injury and/or property damage.



ACCO Material Handling Solutions
 76 Acco Drive, Box 792, York, PA 17405-0792
 717-741-4863, 800-967-7333, FAX 800-715-8897
 E-mail: info@accomhs.com www.accomhs.com

© 2007 FKI Industries Inc.
 Printed In USA

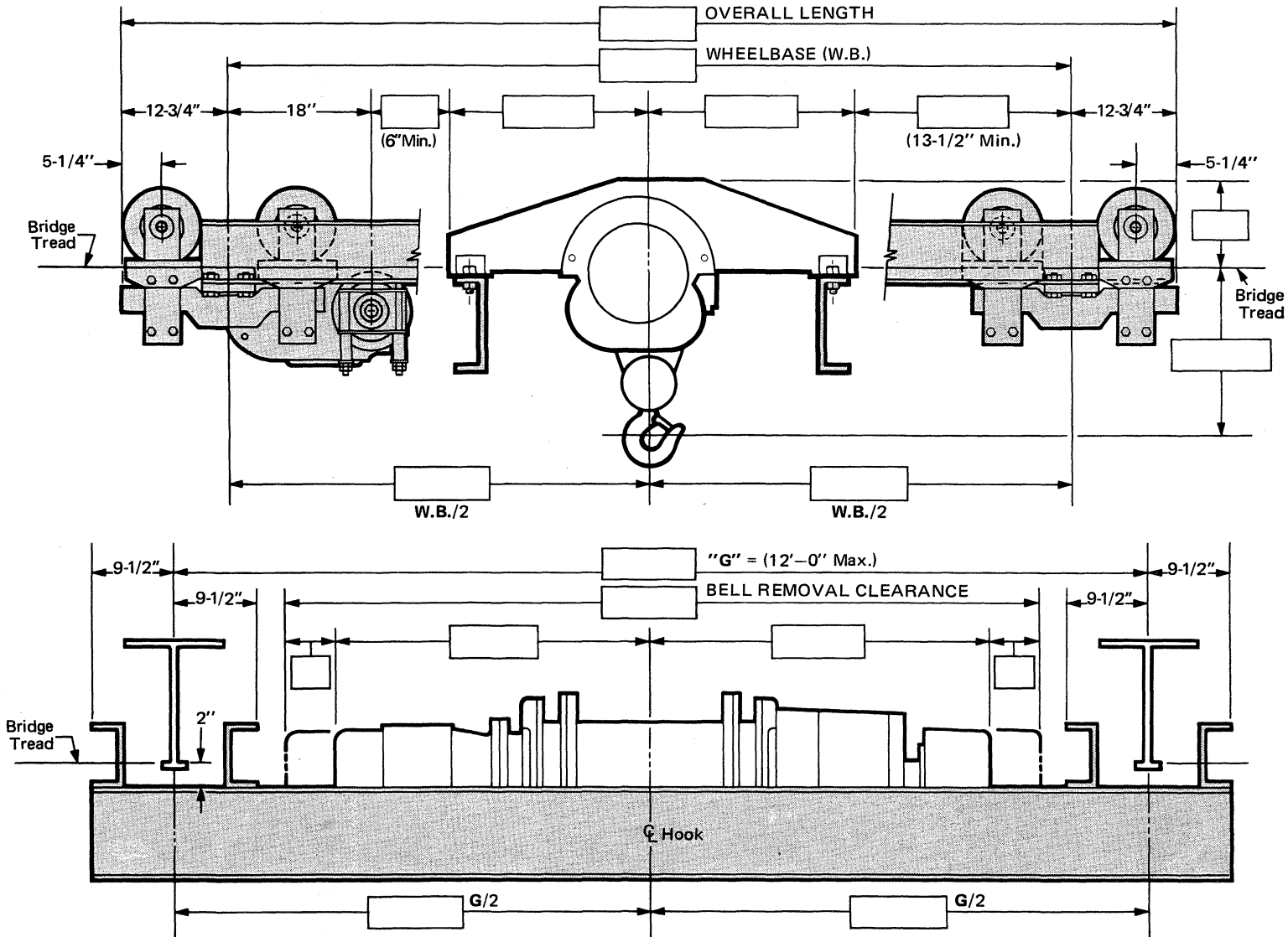


Louden®
DOUBLE GIRDER, MOTOR PROPELLED
HOIST TROLLEYS

Bulletin 210T Page 5
 Issued 9-7-01

DOUBLE GIRDER MOTOR PROPELLED HOIST TROLLEYS TO
RUN ON 3.33" FLANGE DOUBLE GIRDER CRANES,
FOR USE WITH ELECTRIC OR AIR HOISTS.

CATALOG NOS. 210T.30003



NOTE: All dimensions are approximate. Certified drawings will be supplied after completion of engineering.

WARNING: Equipment described herein is not designed for and should not be used for lifting, supporting, or transporting humans. Use of the equipment for this purpose can result in serious bodily injury and/or property damage.



ACCO Material Handling Solutions
 76 Acco Drive, Box 792, York, PA 17405-0792
 717-741-4863, 800-967-7333, FAX 800-715-8897
 E-mail: info@accmh.com www.accmh.com

© 2007 FKI Industries Inc.
 Printed In USA



**285 INTEGRAL HOIST TROLLEYS WITH 5"
STEEL WHEEL DRIVE TO RUN ON 604
SUPERTRACK GIRDER OR 605 TROJANTRACK GIRDER**

The *Louden* Series 285 Integral Hoist Trolleys are offered in capacities of 1 through 5 tons with a standard travel speed of 75 F.P.M. Available non-standard travel speeds are 50, 100, 125, and 150 F.P.M.

Controls are magnetic reversing contactor with ACM adjustable acceleration control for single speed or two-speed control. Also available is variable speed control. Controls are supplied in a separate NEMA 3R enclosure to be mounted on the hoist.

The driving wheels are 4½" in diameter at the tread and all idler trolleys are 4½" tread diameter. All wheels are drop forged and shall be a minimum of 425 Brinell hardness. Bearings are double row ball or tapered roller bearings.

Standard single speed and two-speed motors are T.E.N.V., 30 minute, with class F insulation, 55 degree rise over 60 degree ambient.

Available current characteristics are 460/230 volts, 3 phase, 60 Hertz, with 115 volt control circuit.

The gear reducer utilizes spur gears cut from solid blanks to AGMA specifications, and heat treated to achieve C-60 minimum hardness—Rockwell. All gears shall be fully enclosed in an oil tight housing and splash lubricated, except for the final gear reduction at the driving wheel.

This trolley WILL NOT negotiate switches, but will transfer through all Louden latches and latch blocks.

HORSE POWER SELECTION

Speed	1 Ton	2 Ton	3 Ton	5 Ton
50 F.P.M.	1/2 H.P.	1/2 H.P.	1/2 H.P.	1/2 H.P.
75 F.P.M.	1/2 H.P.	1/2 H.P.	1/2 H.P.	1/2 H.P.
100 F.P.M.	1/2 H.P.	1/2 H.P.	1/2 H.P.	1 H.P.
125 F.P.M.	1/2 H.P.	1/2 H.P.	1/2 H.P.	1 H.P.
150 F.P.M.	1/2 H.P.	1/2 H.P.	1 H.P.	1 H.P.

Each trolley is custom designed to fit the hoist it supports. It is designed to meet or exceed the standards of the Monorail Manufacturers Association and ANSI specification #MH27.1-1996.

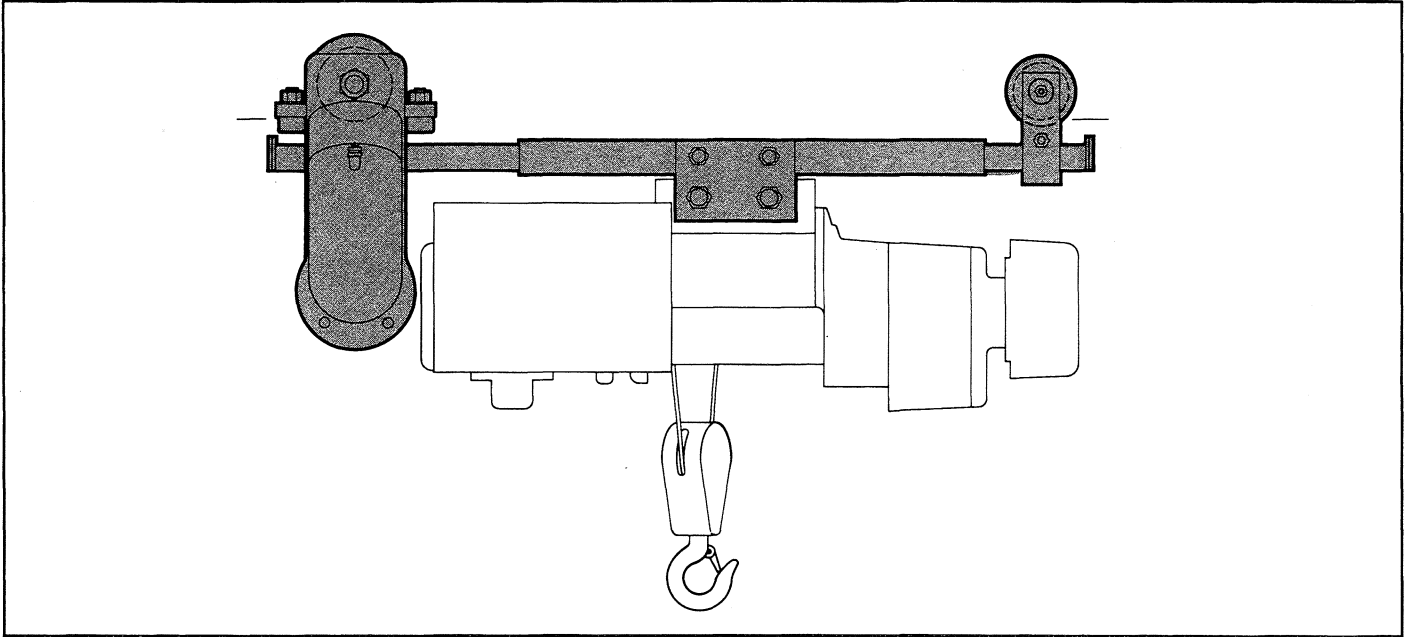
The 285 series trolley is designed for Class C moderate service (as defined by the above ANSI standard).

WARNING: Equipment described herein is not designed for and should not be used for lifting, supporting, or transporting humans. Use of the equipment for this purpose can result in serious bodily injury and/or property damage.

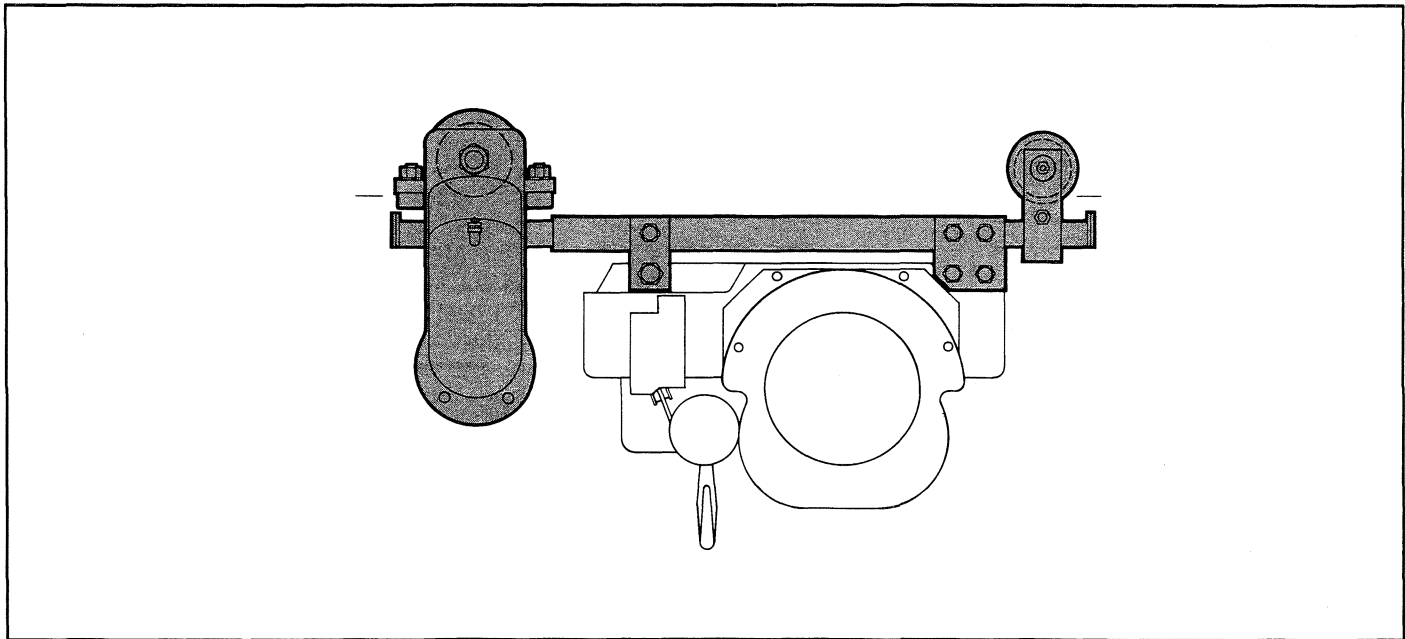


**LOUDEN® 285 INTEGRAL HOIST
TROLLEYS WITH 4½" STEEL
WHEEL DRIVE**

Bulletin 285 Page 2
Issued 9-7-01



4-Wheel, Parallel Mounted,



4-Wheel, Cross Mounted,

WARNING: Equipment described herein is not designed for and should not be used for lifting, supporting, or transporting humans. Use of the equipment for this purpose can result in serious bodily injury and/or property damage.



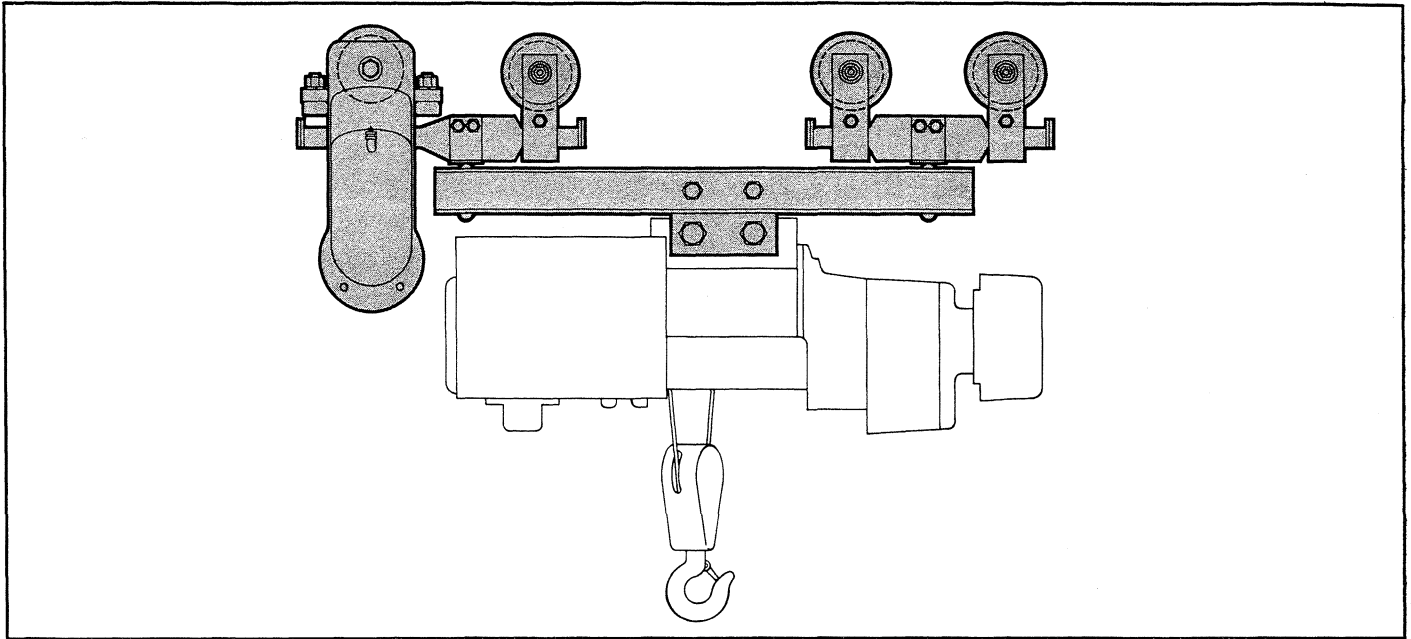
ACCO Material Handling Solutions
76 Acco Drive, Box 792, York, PA 17405-0792
717-741-4863, 800-967-7333, FAX 800-715-8897
E-mail: info@accomhs.com www.accomhs.com

© 2007 FKI Industries Inc.
Printed In USA

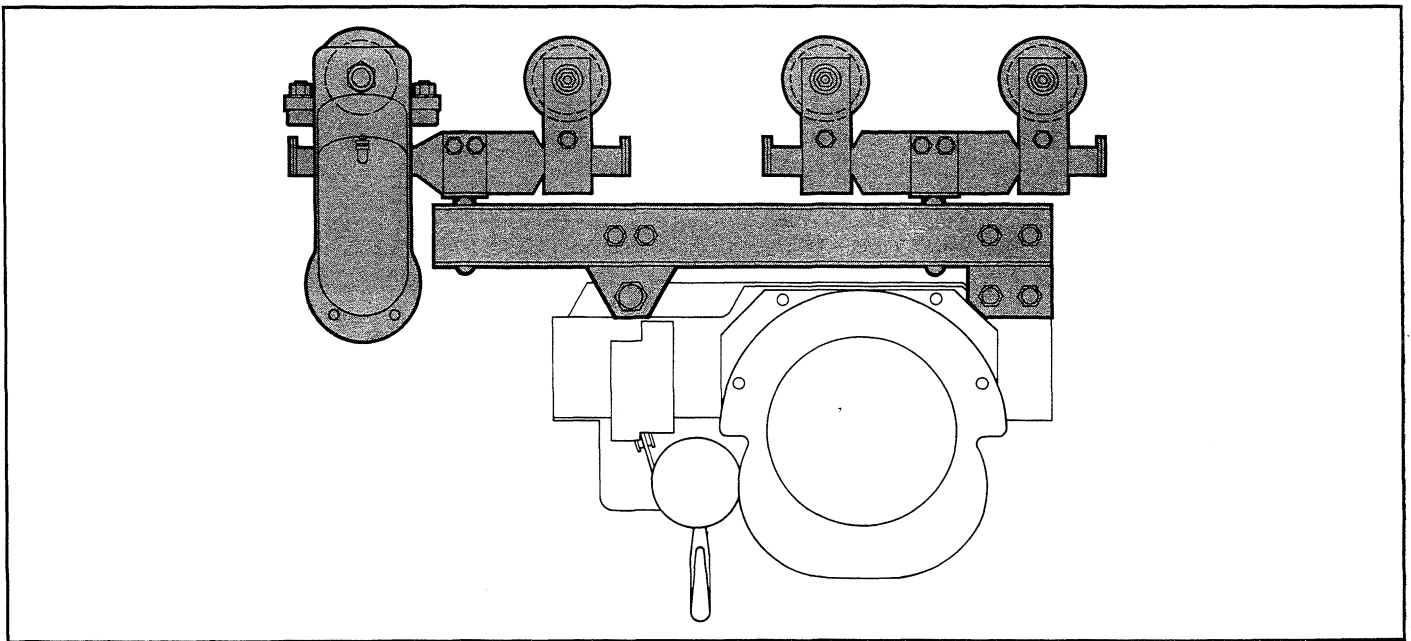


**LOUDEN® 285 INTEGRAL HOIST
TROLLEYS WITH 4½" STEEL
WHEEL DRIVE**

Bulletin 285 Page 3
Issued 9-7-01



8-Wheel, Parallel Mounted,



8-Wheel, Cross Mounted,

WARNING: Equipment described herein is not designed for and should not be used for lifting, supporting, or transporting humans. Use of the equipment for this purpose can result in serious bodily injury and/or property damage.



ACCO Material Handling Solutions
76 Acco Drive, Box 792, York, PA 17405-0792
717-741-4863, 800-967-7333, FAX 800-715-8897
E-mail: info@accomhs.com www.accomhs.com

© 2007 FKI Industries Inc.
Printed In USA

The Wright-Way Tractor Drive is highly efficient for horizontal movement of a hoist, bridge crane or other equipment.

Through a speed reduction, the drive action of the motor is transmitted to a rubber tire wheel which is spring loaded to provide steady traction as it rolls against the underside of the track. The standard units can be ordered for operation on 2", 3.25" or 3.33" flange track and will negotiate a minimum 29" radius curve. Additionally, it will operate through track switches, crane latches, and turntables. This tractor drive can additionally be ordered from Acco Wright for operation on structural beams.

SPEEDS:

Standard speeds are 30, 40, 60 and 80 FPM. Single speed control with ACM is standard (in NEMA 12 enclosure). Two speed units are available. Variable speed can be accomplished by installing the tractor drive controls in the hoist/crane panel and wiring between the hoist/crane and tractor control enclosures.

MOTORS:

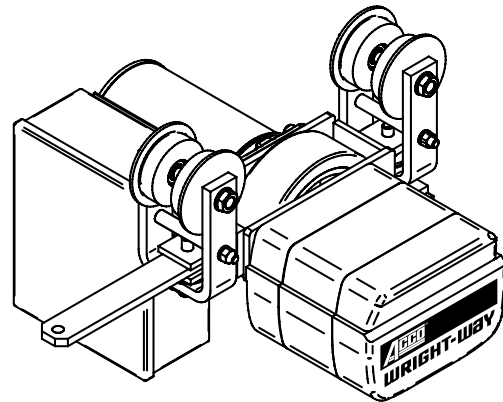
Standard motors provided are NEMA C face, TENV, Class F insulation, 30-minute duty and are available for standard commercial power supplies. The motor has a standard NEMA shaft extension. The motors are designed for intermittent reversing crane and trolley drive service. Standard motors are CSA approved.

BRAKE:

A direct acting, short stroke AC magnet actuated disc type motor brake is standard. This brake has a minimum torque rating of 150% of the full load motor torque. The brake provides accurate spotting and control of the load by quickly stopping the motor when power is interrupted.

GEARING:

The gear train is a combination of helical and spur gears with all contact surfaces hardened for wear resistance and designed to AGMA standards for maximum life. Gears operate in a sealed oil bath. All gears and pinion shafts are supported on both ends by antifriction ball bearings.



CONSTRUCTION:

The tractor drive frame is produced from rugged malleable iron. The tractor drive is spring loaded to absorb shock loads and to maintain constant pressure on the drive tire.

DRIVE WHEEL:

The 9" diameter under-rail drive wheel gives positive action, no-slip traction, regardless of the load. The polyurethane tire is molded and bonded to a cast iron wheel, and is supported by prelubricated and sealed ball bearings.

TROLLEY WHEELS:

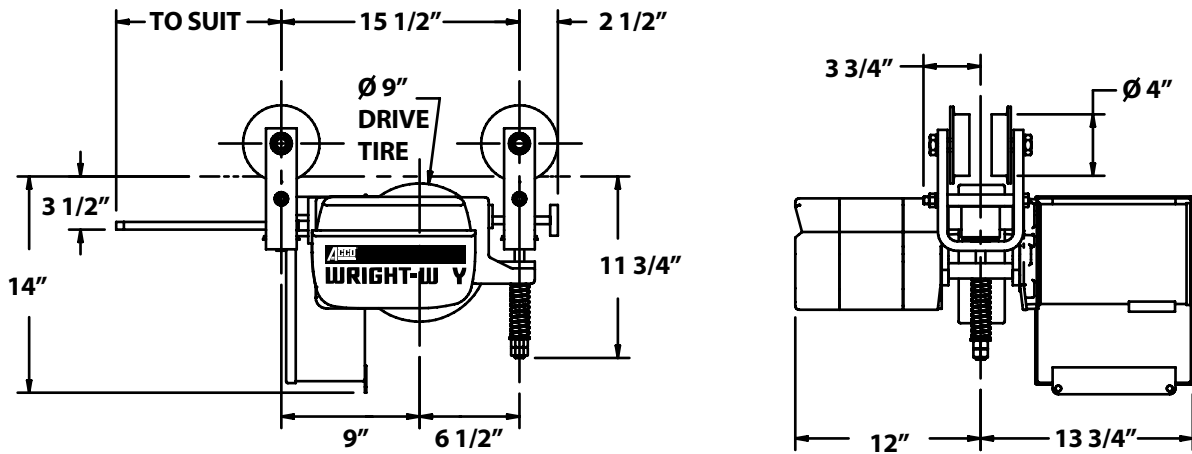
The Wright-Way tractor drive is equipped with 4" diameter flanged steel wheels with hardened tread and flange. Optional flangeless wheels and side guide rollers are available.

BEARINGS:

Each wheel includes two heavy-duty single row, pre-lubricated and permanently sealed anti-friction ball bearings. Optional guide rollers are hardened and have an extra heavy outer ring.

OPERATION:

The Wright-Way tractor drive is designed to operate on 2", 3.25" or 3.33" flange Loudon and Trambeam track. Unit will negotiate electrified SuperTrack and TrojanTrack switches, curves with a 29" or larger radius, and 505.7824, 505.7825, 505.7830 and 505.7831 latches and latch blocks. Contact the factory to discuss applications not listed.



NOMINAL SPEED (FPM)	MAXIMUM TOW LOADS (LBS)	
	1/2 HP	1 HP
30	13,000	-
40	13,000	-
60	13,000	-
80	-	13,000

AVAILABLE OPTIONS:

Options available for this tractor drive include flangeless wheels with side guide rollers, bronze trolley wheels, motor brake with manual release, control pendant, special motor & control options and epoxy paint.

The M9C Tractor Drive (Motoveyor) is a rugged heavy-duty monorail drive unit designed to move loads under punishing requirements while providing dependable performance and durability.

SPEEDS:

Standard speeds are 50, 75, 100, 150, 200 and 250 FPM. Single speed control with ACM is standard (in NEMA 3R enclosure). Variable speed (inverter controlled) and two speed units are available.

MOTORS:

Standard motors provided are NEMA C face, TENV, Class F insulation, 30-minute duty and are available for standard commercial power supplies. The motor has a standard NEMA shaft extension. The motors are designed for intermittent reversing crane and trolley drive service. Standard motors are CSA approved.

BRAKE:

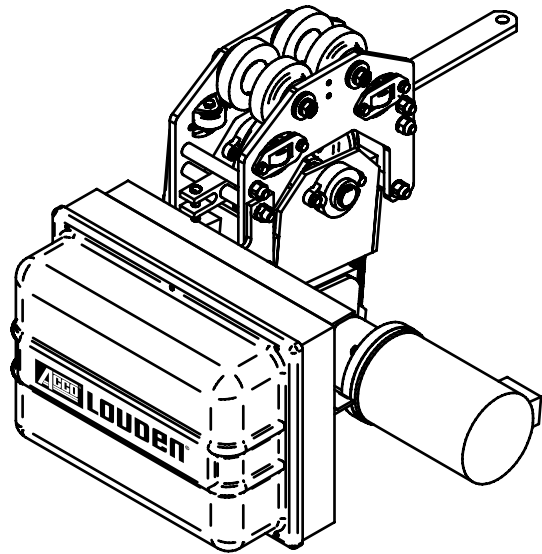
An electric motor brake is optional.

GEARING:

M9C tractor drives are equipped with double reduction helical gear reducers. The gear housing is cast iron. The final reduction to the drive wheel is accomplished thru chain sprockets and a heavy duty roller chain.

CONSTRUCTION:

Both the upper and lower frames of the M9C are of heavy fabricated steel. The upper frame includes hardened steel wheels and side guide rollers. The lower frame, for mounting the drive wheel and motor, is connected to the top frame in a manner that allows quick and easy adjustment of the drive wheel pressure against the underside of the track. The tractor drive is spring loaded to absorb shock loads and to maintain constant pressure on the drive tire.



DRIVE WHEEL:

The 9" diameter under-rail drive wheel gives positive action, no-slip traction, regardless of the load. The polyurethane tire is molded and bonded to a cast iron wheel, and is supported by ball bearings.

TROLLEY WHEELS:

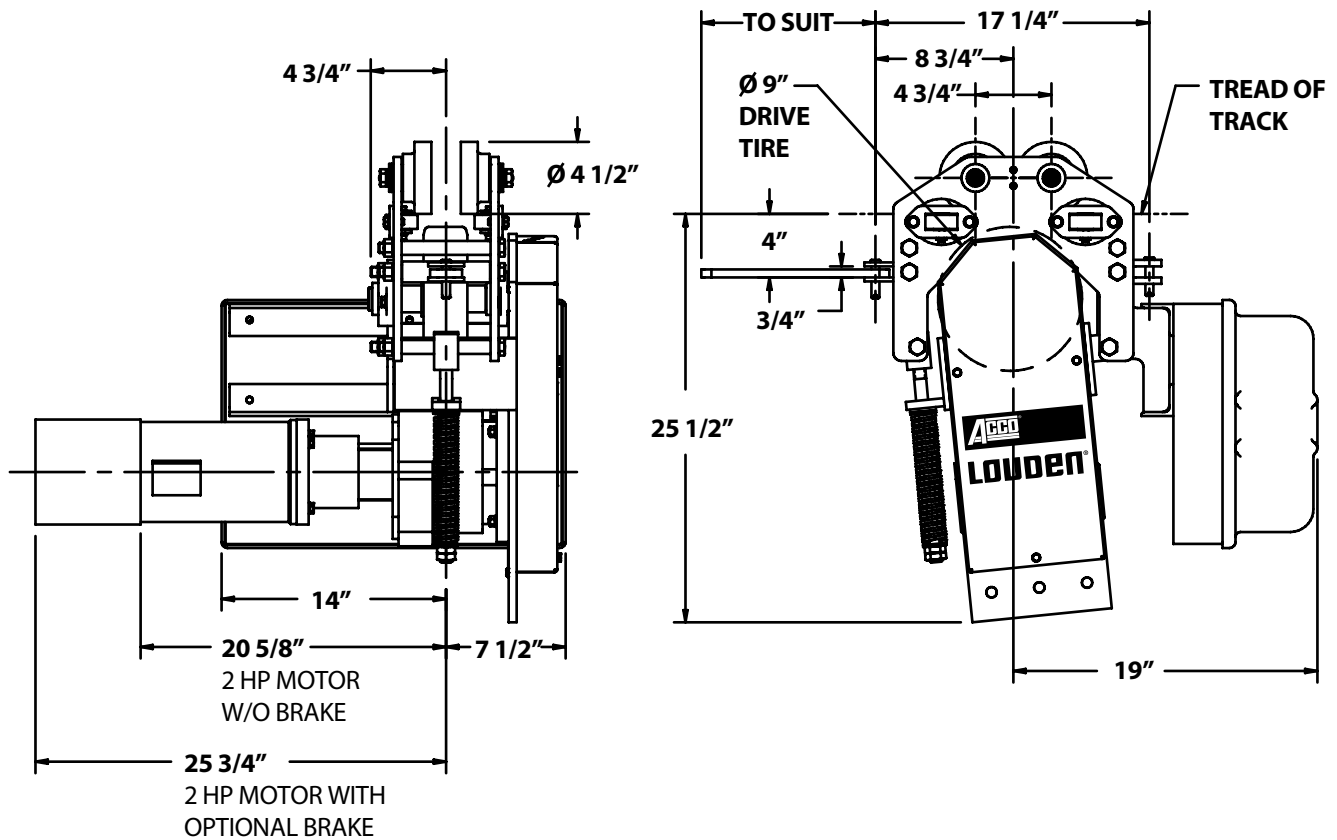
The M9C tractor drive is equipped with 4-1/2" diameter flangeless steel wheels with hardened tread. Guide rollers are hardened and have an extra heavy outer ring. The wheel axle is equipped with grease fitting for refreshing lubricant under abnormal conditions.

BEARINGS:

Each wheel includes a heavy-duty double row, pre-lubricated tapered roller bearing.

OPERATION:

The M9C tractor drive is designed to operate on 3.25" or 3.33" flange Loudon and Trambeam track. Unit will negotiate electrified SuperTrack and TrojanTrack switches as well as curves with a 29" or larger radius. The tractor drive will also navigate through 505.7824, 505.7825, 505.7830, and 505.7831 latches and latch blocks. Contact the factory to discuss applications not listed.



Note: The M9C is also available with the motor turned parallel to the direction of travel for applications where side clearance is limited. Contact the factory to discuss this application.

NOMINAL SPEED (FPM)	MAXIMUM TOW LOADS (LBS)			
	3/4 HP	1 HP	1 1/2 HP	2 HP
50	26,200	35,000	40,000	-
75	17,500	23,300	35,000	40,000
100	13,100	17,500	26,200	35,000
150	8,700	11,700	17,500	23,300
200	-	6,400	9,700	12,900
250	-	-	7,700	10,300

AVAILABLE OPTIONS:

Options available for this tractor drive include construction for hazardous locations, bronze trolley wheels, motor brake, motor brake with manual release, quick tire release, control pendant, special motor & control options, air motor and epoxy paint.

The M9 Tractor Drive (Motoveyor) is a rugged heavy-duty monorail drive unit built to move loads under punishing requirements while providing dependable performance and durability.

SPEEDS:

Standard speeds are 50, 75, 110, 135, 165, 190, and 255 FPM. Single speed control with ACM is standard (in NEMA 3R enclosure). Variable speed (inverter controlled) and two speed units are available.

MOTORS:

Standard motors provided are NEMA C face, TENV, Class F insulation, 30-minute duty and are available for standard commercial power supplies. The motor has a standard NEMA shaft extension. The motors are designed for intermittent reversing crane and trolley drive service. Standard motors are CSA approved.

BRAKE:

An electric motor brake is optional.

GEARING:

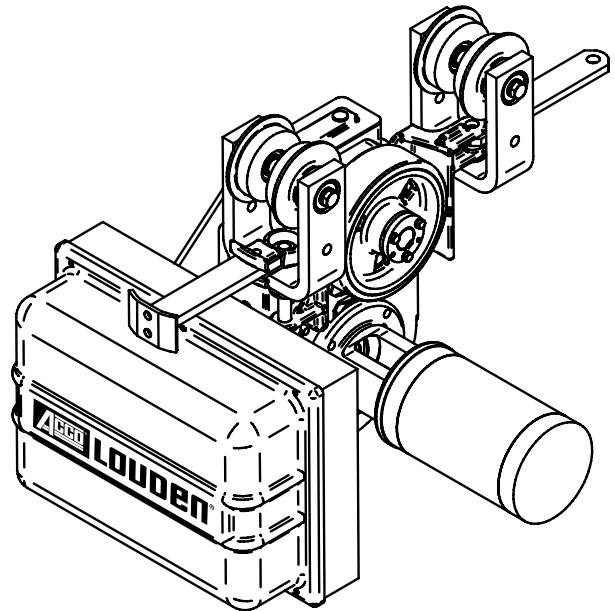
M9 tractor drives are equipped with triple reduction helical gear reducers. All gears are heat-treated alloy steel. Gears are designed to AGMA standards for maximum life and operate in an oil bath. All gear shafts are supported by tapered roller bearings.

CONSTRUCTION:

The gear housing is one-piece high strength cast iron mounted on two formed steel swiveling trolleys. The tractor drive is spring loaded to absorb shock loads and to maintain constant pressure on the drive tire.

DRIVE WHEEL:

The 9" diameter under-rail drive wheel gives positive action, no-slip traction, regardless of the load. The polyurethane tire is molded and bonded to a cast iron wheel, and is supported by roller bearings.

**TROLLEY WHEELS:**

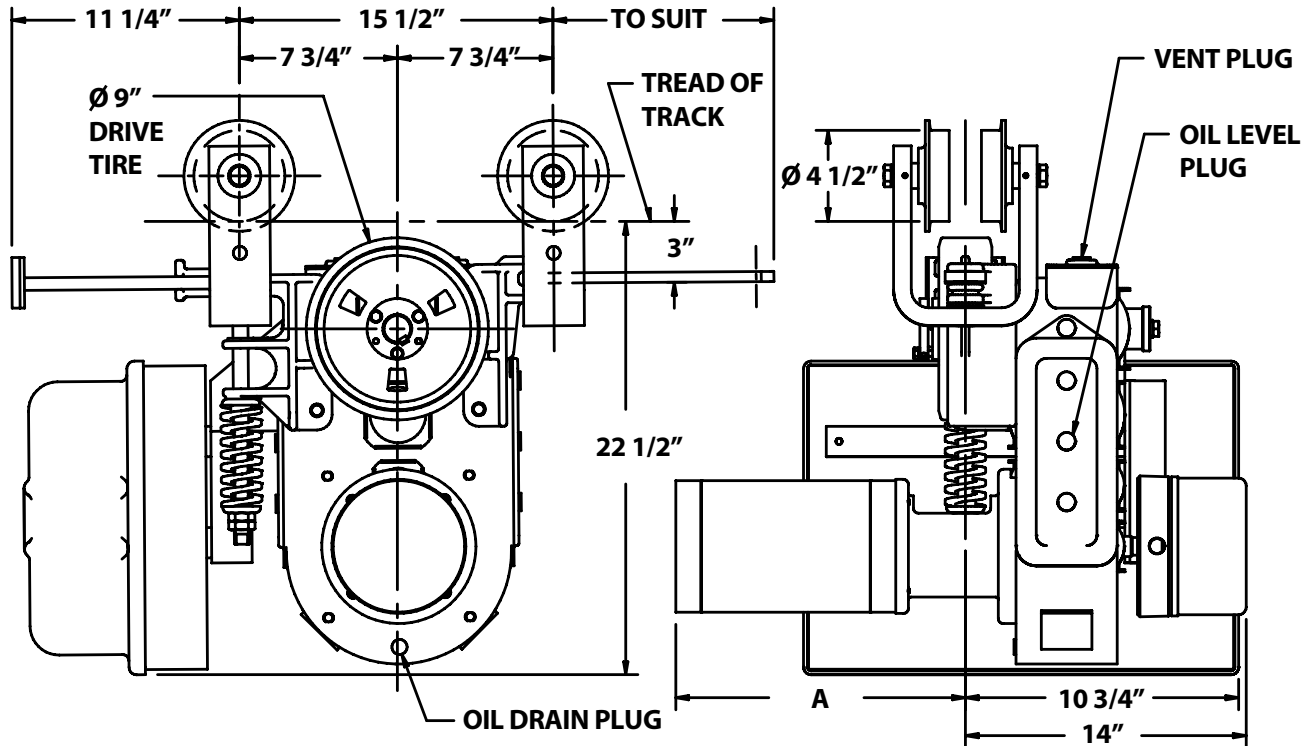
The M9 tractor drive is equipped with 4-1/2" diameter flanged steel wheels with hardened tread and flange. Optional flangeless wheels and side guide rollers are available. The wheel axle is equipped with grease fitting for refreshing lubricant under abnormal conditions.

BEARINGS:

Each wheel includes a heavy-duty double row, pre-lubricated tapered roller bearing.

OPERATION:

The M9 tractor drive is designed to operate on 3.25" or 3.33" flange Louden and Trambeam track. Unit will negotiate electrified SuperTrack and TrojanTrack switches as well as curves with a 29" or larger radius. The tractor drive will also navigate through 505.7824, 505.7825, 505.7830, and 505.7831 latches and latch blocks. Contact the factory to discuss applications not listed.



SHOWN WITH
OPTIONAL BUMPER

"A" DIMENSION FOR SINGLE SPEED MOTORS	
UP TO 1 1/2 HP	12 1/8"
2 HP	13 1/8"
3 HP & 5 HP	17 1/4"

SHOWN WITH
OPTIONAL BRAKE

NOMINAL SPEED (FPM)	MAXIMUM TOW LOADS (LBS)					
	3/4 HP	1 HP	1 1/2 HP	2 HP	3 HP	5 HP
50	28,500	38,000	40,000	-	-	-
75	19,000	25,300	38,000	40,000	-	-
110	13,000	17,300	25,900	34,500	40,000	-
135	10,600	14,100	21,100	28,100	40,000	-
165	6,400	8,500	12,700	17,000	25,500	40,000
190	5,500	7,400	11,100	14,700	22,100	36,800
255	-	5,500	8,200	11,000	16,500	27,500

AVAILABLE OPTIONS:

Options available for this tractor drive include construction for hazardous locations, bronze trolley wheels, flangeless wheels with side guide rollers, motor brake, motor brake with manual release, quick tire release, control pendant, special motor & control options, air motor and epoxy paint. This tractor can also be provided to operate on 4" patented track, 4 1/2" patented track or structural steel.

The M16 Tractor Drive (Motoveyor) is a rugged heavy-duty monorail drive unit designed to move loads under punishing requirements while providing dependable performance and durability.

SPEEDS:

Standard speeds are 50, 75, 100, 125, 150, 200, 250 and 300 FPM. Contact the factory to inquire about speeds above 300 FPM. Furnished less controls. Inverter duty motors and 2 speed motors are available.

MOTORS:

Standard motors provided are NEMA C face, TENV, Class F insulation, 30-minute duty and are available for standard commercial power supplies. The motor has a standard NEMA shaft extension. The motors are designed for intermittent reversing crane and trolley drive service. Standard motors are CSA approved.

BRAKE:

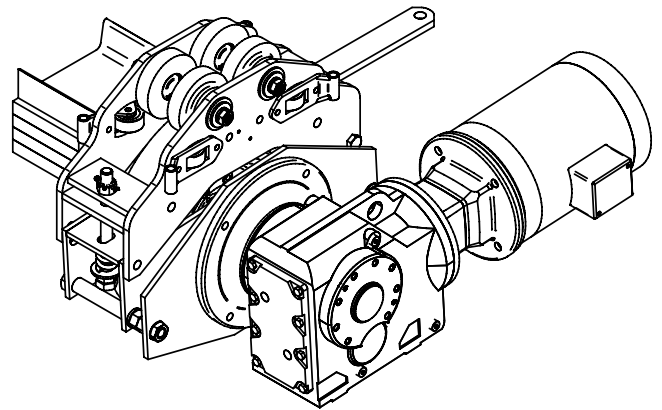
An electric motor brake is optional.

GEARING:

Helical/Worm gears operate in a high strength gray cast iron gear case and oil bath. Gear case includes double oil seals on the output shaft. Gears are designed and manufactured to AGMA standards for maximum life.

CONSTRUCTION:

Both the upper and lower frames of the M16 are of heavy fabricated steel. The upper frame includes hardened steel wheels and side guide rollers. The lower frame, for mounting the drive wheel and motor, is connected to the top frame in a manner that allows quick and easy adjustment of the drive wheel pressure against the underside of the track. The tractor drive is spring loaded to absorb shock loads and to maintain constant pressure on the drive tire.

**DRIVE WHEEL:**

The 16" diameter under-rail drive wheel gives positive action, no-slip traction, regardless of the load. The industrial rubber tire is pressed on to a cast iron wheel, and is supported by ball bearings.

TROLLEY WHEELS:

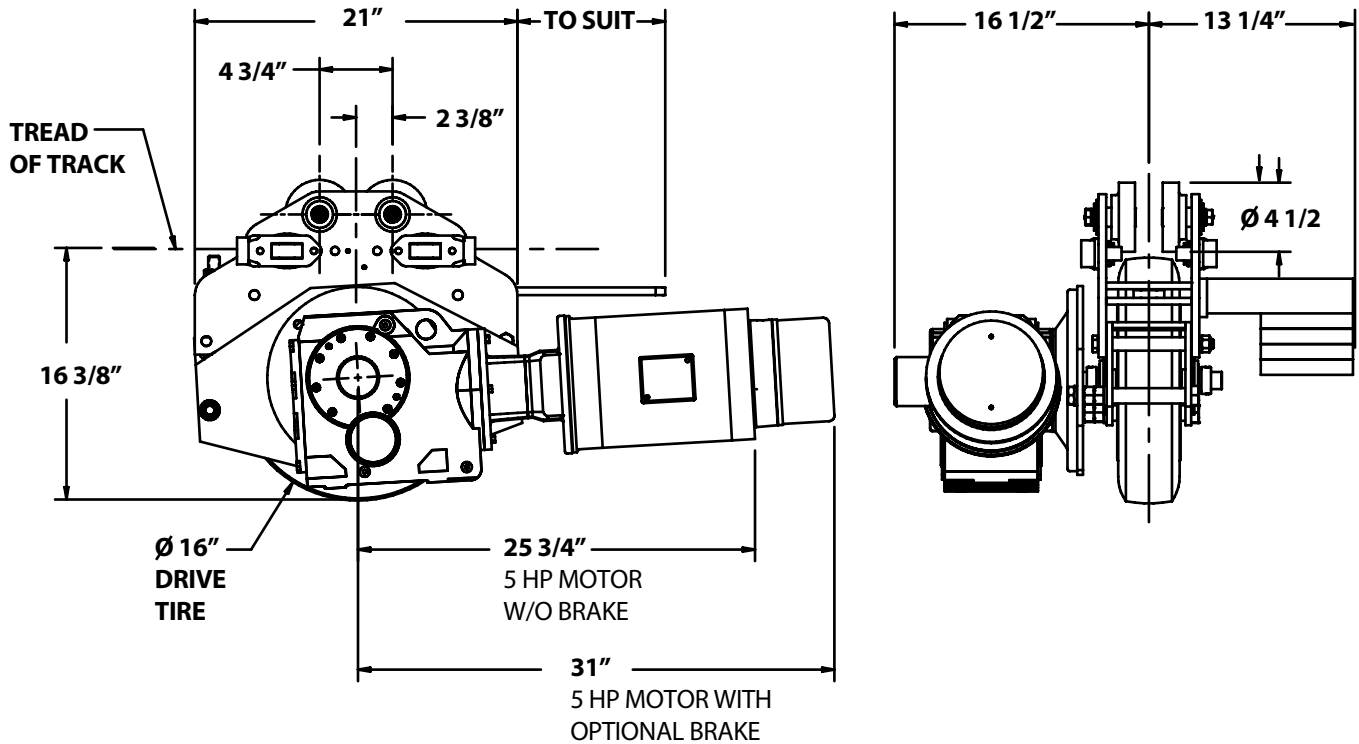
The M16 tractor drive is equipped with 4-1/2" diameter flangeless steel wheels with a hardened tread. Side guide rollers are also included in the upper frame. The wheel axle is equipped with a grease fitting for refreshing lubricant under abnormal conditions.

BEARINGS:

Each wheel includes a heavy-duty double row, pre-lubricated tapered roller bearing.

OPERATION:

The M16 tractor drive is designed to operate on 3.25" or 3.33" flange Loudon and Trambeam track. Unit will negotiate electrified SuperTrack and TrojanTrack switches as well as curves with a 29" or larger radius. The tractor drive will also navigate through 505.7824, 505.7825, 505.7830, and 505.7831 latches and latch blocks. Contact the factory to discuss applications not listed.



NOMINAL SPEED (FPM)	MAXIMUM TOW LOADS (LBS)						
	3/4 HP	1 HP	1 1/2 HP	2 HP	3 HP	5 HP	7 1/2 HP
50	28,500	38,000	53,000	-	-	-	-
75	19,000	25,300	38,000	50,700	53,000	-	-
100	14,300	19,000	28,500	38,000	53,000	-	-
125	11,400	15,200	22,800	30,400	45,600	53,000	-
150	9,500	12,700	19,000	25,300	38,000	53,000	-
200	-	-	10,500	14,000	21,000	35,000	52,500
250	-	-	8,400	11,200	16,800	28,000	42,000
300	-	-	-	9,300	14,000	23,300	35,000

AVAILABLE OPTIONS:

Options available for this tractor drive include construction for hazardous locations, bronze trolley wheels, motor brake, motor brake with manual release, quick tire release, special motor, air motor and epoxy paint. This tractor can also be provided to operate on 4" patented track, 4 1/2" patented track or structural steel.

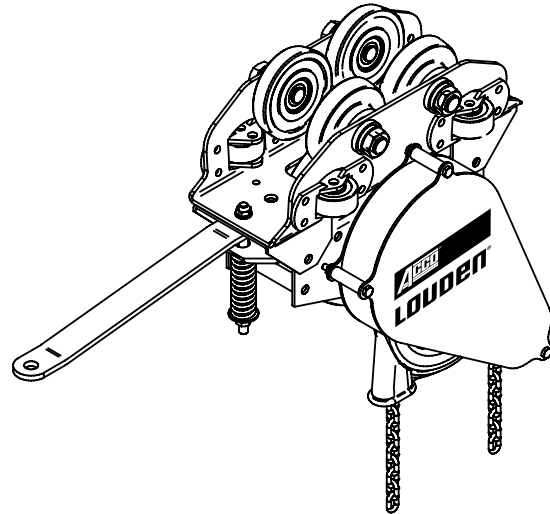
The LOUDEN M8 hand chain manual Tractor Drive (Motoveyor) is designed for light duty operation with a capacity of up to 6,000 pounds.

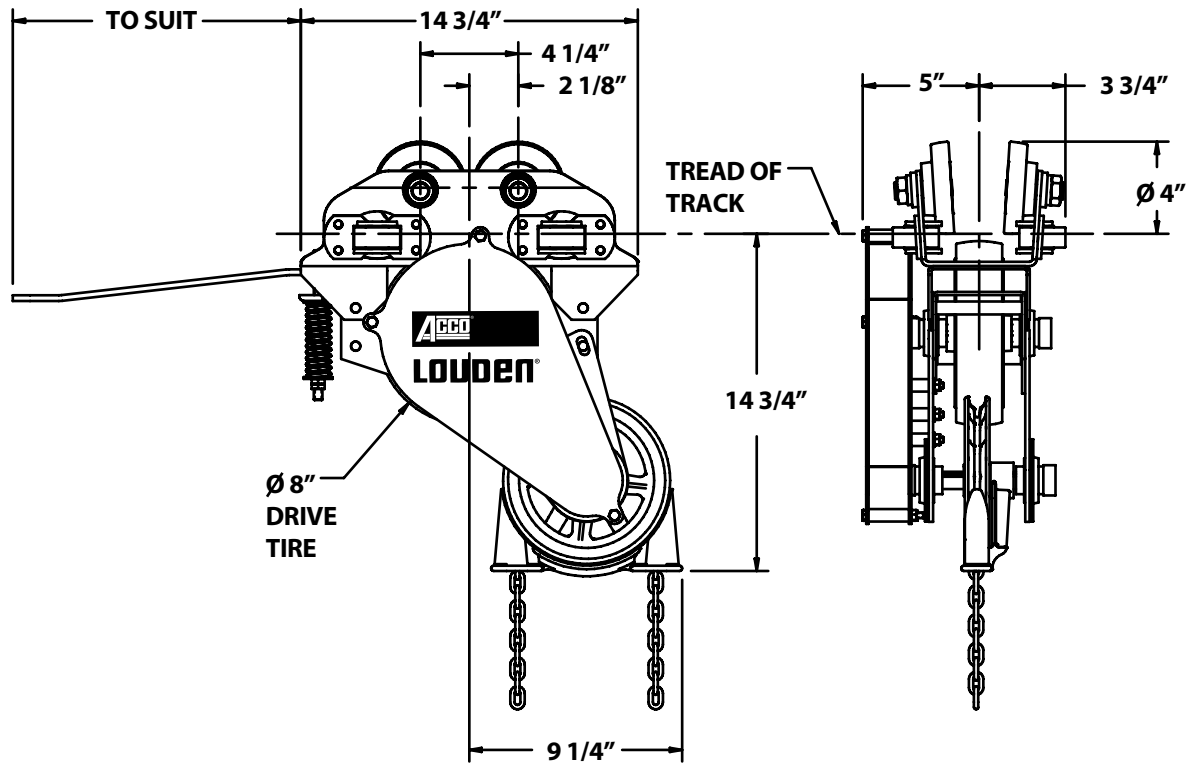
The M8 is equipped with 4" diameter flangeless wheels and side guide rollers. The wheel includes two single row, pre-lubricated and permanently sealed anti-friction bearings with a hardened outer race.

The 8" diameter under-rail drive wheel gives positive action, no-slip traction, regardless of the load. The polyurethane tire is molded to a cast iron hub which is keyed to the drive shaft. The drive shaft is supported by ball bearings on the tractor drive frame. Zinc plated hand chain is standard.

Both the upper and lower frames of the M8 are formed from heavy steel. The lower frame, for mounting the drive wheel and chain assembly, is connected to the top frame in a manner that allows quick and easy adjustment of the drive wheel pressure against the underside of the track.

The M8 hand chain tractor drive is designed to move a load 1 ft. horizontally for every 2 ft. of chain pulled thru the drive unit. This tractor drive is designed to operate on 2", 3.25" or 3.33" flange Louden and Trambeam track. Unit will negotiate electrified SuperTrack and TrojanTrack switches as well as curves with a 29" or larger radius. The tractor drive will also navigate through 505.7824, 505.7825, 505.7830, and 505.7831 latches and latch blocks. Contact the factory to discuss applications not listed.





LOAD	CHAIN PULL (LBS)
500	4
1,000	8
1,500	12
2,000	16
2,500	20
3,000	24
3,500	28
4,000	32
4,500	36
5,000	40
5,500	44
6,000	48

AVAILABLE OPTIONS:

Options available for this tractor drive include bronze trolley wheels, quick tire release, aluminum hand chain and epoxy paint.

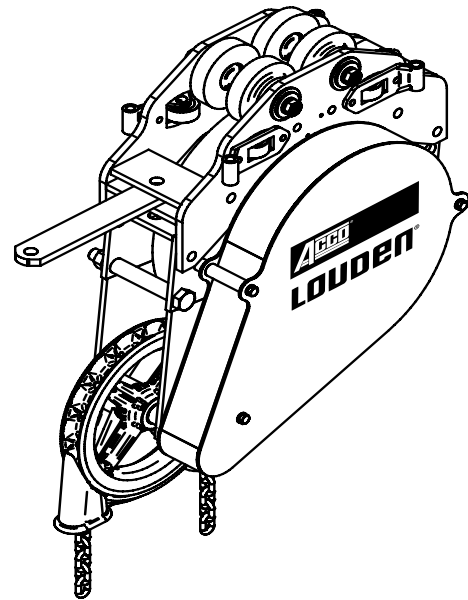
The LOUDEN M16 hand chain manual Tractor Drive (Motoveyor) is designed for light duty operation with a capacity of up to 50,000 pounds.

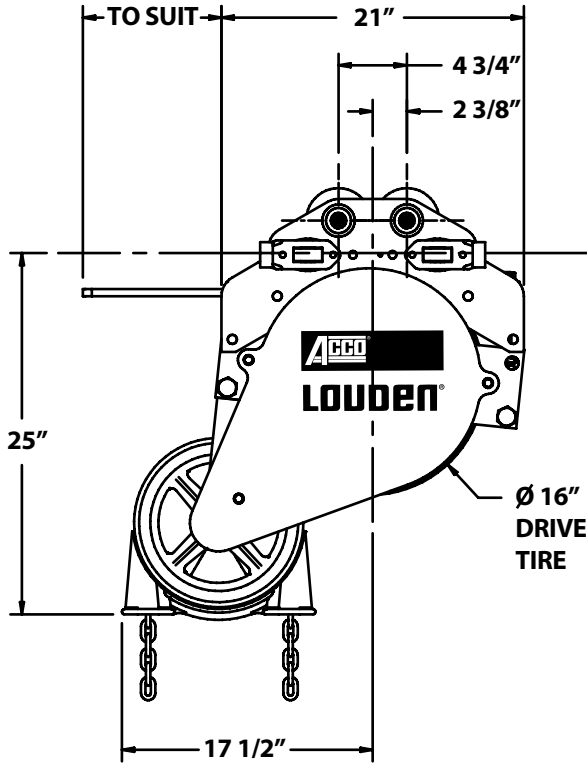
The M16 is equipped with 4 1/2" diameter flangeless steel wheels with a hardened tread. Side guide rollers are also included in the upper frame. The wheel includes a heavy-duty double row pre-lubricated tapered roller bearing. The wheel axle is equipped with a grease fitting for refreshing lubricant under abnormal conditions.

The 16" diameter under-rail drive wheel gives positive action, no-slip traction, regardless of the load. The industrial rubber tire is pressed on to a cast iron hub which is supported by ball bearings and keyed to the drive shaft. Zinc plated hand chain is standard.

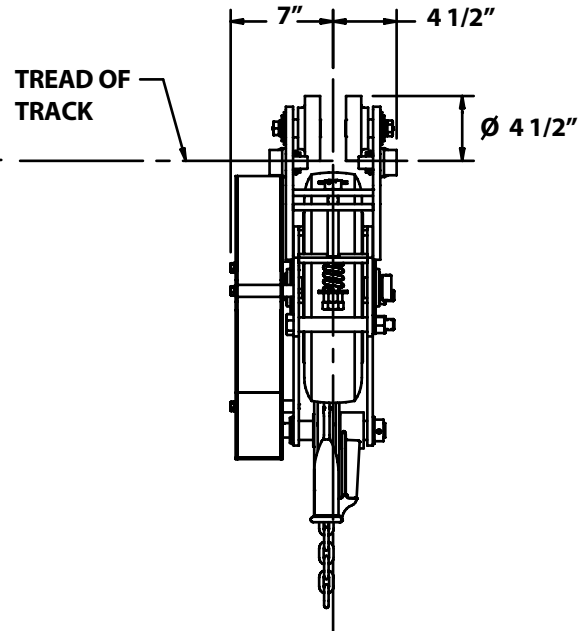
Both the upper and lower frames of the M16 are formed from heavy steel. The lower frame, for mounting the drive wheel and chain assembly, is connected to the top frame in a manner that allows quick and easy adjustment of the drive wheel pressure against the underside of the track.

The M16 hand chain tractor drive is designed to move a load 1 ft. horizontally for every 3 ft. of chain pulled thru the drive unit. Heavier capacity units are equipped with an auxiliary reducer which will require 13 ft. of chain pulled per foot of travel. This tractor drive is designed to operate on 3.25" or 3.33" flange Louden and Trambeam track. Unit will negotiate electrified SuperTrack and TrojanTrack switches as well as curves with a 29" or larger radius. The tractor drive will also navigate through 505.7824, 505.7825, 505.7830, and 505.7831 latches and latch blocks. Contact the factory to discuss applications not listed.





M16 HAND CHAIN TRACTOR DRIVE



M16 HAND CHAIN TRACTOR DRIVE WITH AUXILIARY REDUCER (NOT SHOWN)

LOAD	CHAIN PULL (LBS)
4,000	23
5,000	28
6,000	33
7,000	39
8,000	44
9,000	49
10,000	55
11,000	60
12,000	65

LOAD	CHAIN PULL (LBS)
5,000	7
10,000	14
15,000	20
20,000	27
25,000	33
30,000	40
35,000	46
40,000	53
50,000	66

AVAILABLE OPTIONS:

Options available for this tractor drive include bronze trolley wheels, quick tire release, aluminum hand chain and epoxy paint.



CAPACITY:

5,000 LBS

SPEEDS:

Standard speeds are 50, 75, 100, 125, and 150 FPM. 200 FPM is available upon application.

MOTORS:

Standard motors provided are NEMA C face, TENV, Class F insulation, 30-minute duty and are available for standard commercial power supplies. The motor has a standard NEMA shaft extension. The motors are designed for intermittent reversing crane and trolley drive service. Standard motors are CSA approved. Maximum horsepower is 1 H.P.

BRAKE:

An AC electric brake is furnished as standard and is mounted on the motor end. It is a spring-set, solenoid released, disc type brake.

DRIVE WHEELS:

4-1/2" diameter, hardened steel. Capacity is 2,500 LBS per wheel. Hardened guide rollers provide stability.

CONSTRUCTION:

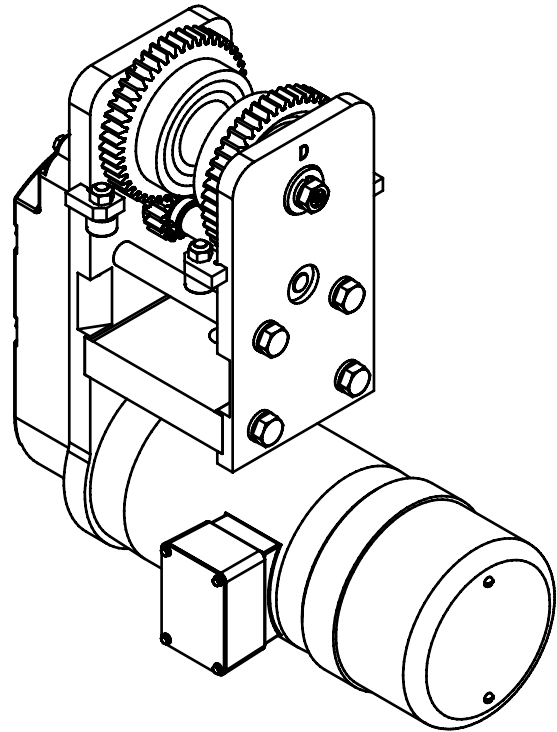
The drive frame and all suspension members are steel. The gear cover is cast aluminum and the brake cover is spun aluminum.

BEARINGS:

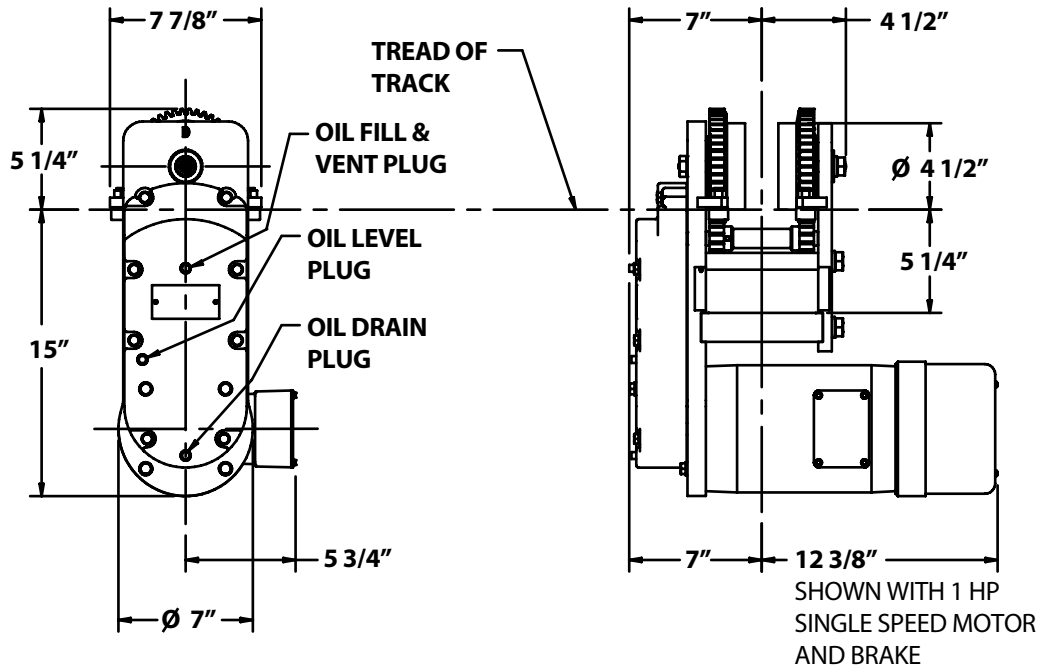
Each wheel includes a heavy-duty double row, pre-lubricated tapered roller bearing. Hardened guide rollers have an extra heavy outer ring.

GEARING:

All gears are machine cut spur type, heat-treated alloy steel. Gears are designed to AGMA standards for maximum life and operate in an oil bath. All gear shafts are supported by precision ball bearings. Final reduction at trolley wheels is through pinion gears.

**OPERATION:**

Designed to operate on 603, 604, and 605 LOUDEN track. Unit will negotiate 505.7824, 505.7825, 505.7830, and 505.7831 latches. For use on 3.25" track or curves contact factory.



NOMINAL SPEED (FPM)	MAXIMUM TOW LOADS (LBS)	
	1/2 HP	1 HP
50	20,000	-
75	13,300	-
100	10,000	20,000
125	8,000	16,000
150	6,670	13,300

AVAILABLE OPTIONS:

Options available for this steel wheel drive unit include construction for hazardous locations, bronze trolley wheels, motor brake with manual release, special motor options and epoxy paint. This drive can also be provided to operate on 4" patented track.

CAPACITY:

10,000 LBS

SPEEDS:

Standard speeds are 50, 75, 100, 125, 150, and 200 FPM.

MOTORS:

Standard motors provided are NEMA C face, TENV, Class F insulation, 30-minute duty and are available for standard commercial power supplies. The motor has a standard NEMA shaft extension. The motors are designed for intermittent reversing crane and trolley drive service. Standard motors are CSA approved. Maximum horsepower is 5 H.P.

BRAKE:

An AC electric brake is furnished as standard and is mounted on the motor end. It is a spring-set, solenoid released, disc type brake.

DRIVE WHEELS:

6 1/2" diameter, hardened steel. Capacity is 5,000 LBS per wheel. Hardened guide rollers provide stability.

CONSTRUCTION:

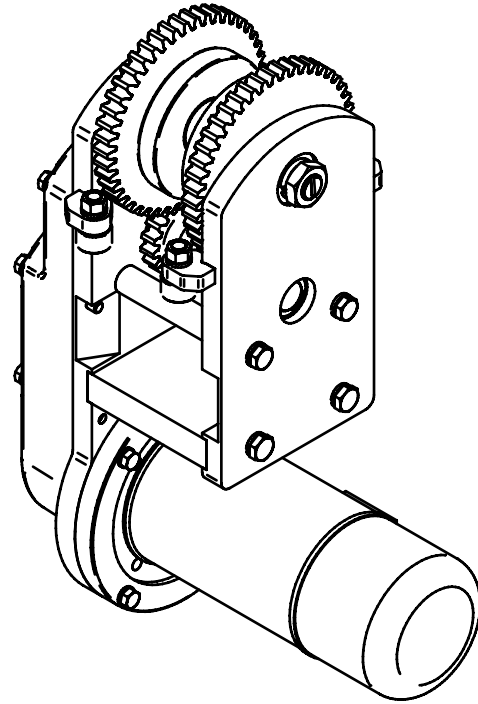
The drive frame and all suspension members are steel. The gear cover is cast aluminum and the brake cover is spun aluminum.

BEARINGS:

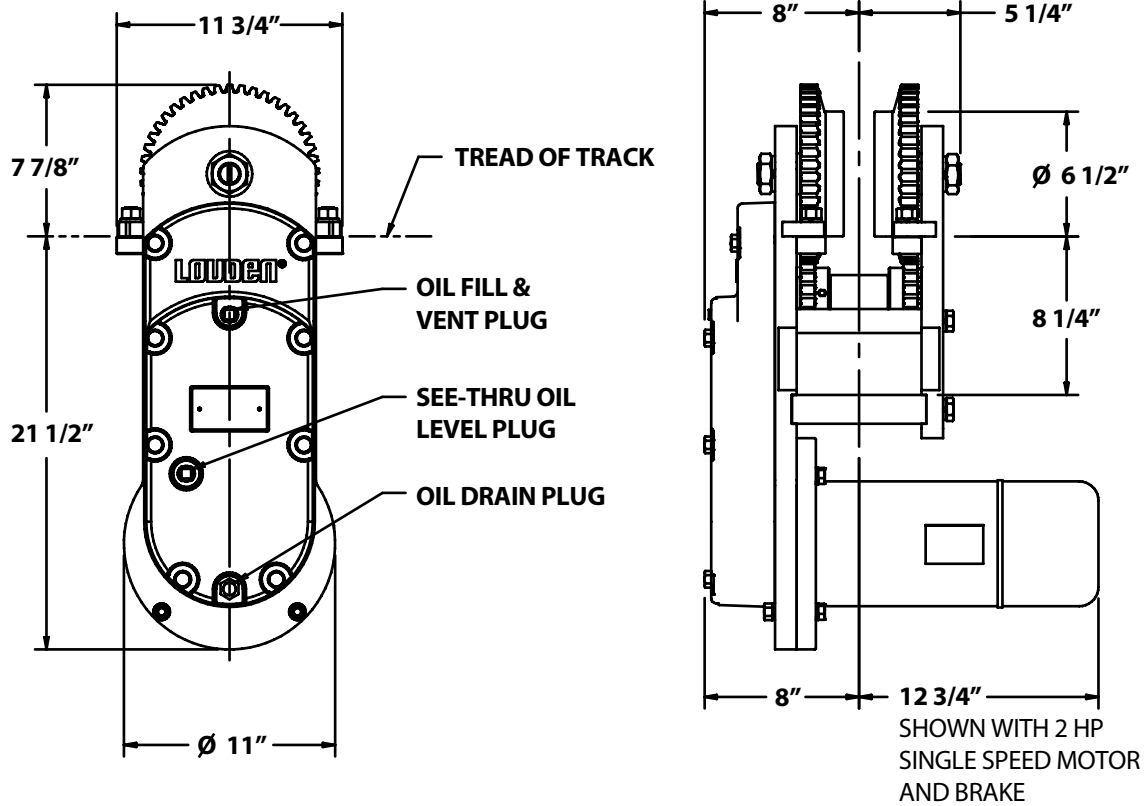
Each wheel includes a heavy-duty double row ball bearing. Hardened guide rollers have an extra heavy outer ring.

GEARING:

All gears are machine cut spur type, heat-treated alloy steel. Gears are designed to AGMA standards for maximum life and operate in an oil bath. All gear shafts are supported by precision ball bearings. Final reduction at trolley wheels is through pinion gears.

**OPERATION:**

Designed to operate on 605 LOUDEN track. Unit will negotiate 505.7830, and 505.7831 latches. For use on 3.25" track or curves contact factory.



NOMINAL SPEED (FPM)	MAXIMUM TOW LOADS (LBS)					
	3/4 HP	1 HP	1 1/2 HP	2 HP	3 HP	5 HP
50	30,000	40,000	40,000	-	-	-
75	20,000	26,700	40,000	40,000	40,000	-
100	15,000	20,000	30,000	40,000	40,000	-
125	12,000	16,000	24,000	32,000	40,000	-
150	10,000	13,300	20,000	26,700	40,000	40,000
200	5,600	7,500	11,300	15,000	22,500	37,500

AVAILABLE OPTIONS:

Options available for this steel wheel drive unit include construction for hazardous locations, bronze trolley wheels, motor brake with manual release, special motor options and epoxy paint. This drive can also be provided to operate on 4" patented track.

Features

The trolley is one of the basic elements of monorail and crane equipment. Long life and dependable service are absolutely essential. All parts of the completed *Louden* trolley, including wheels, bearings, yokes, loadbars and swivel fittings have been designed and constructed from proven materials to meet the most exacting requirements.

Designed for maximum strength and ease of operation, *Louden* trolleys are built to carry the specified weight and to move the load with a minimum of effort. Since trolleys in most monorail and crane systems must withstand hard, rugged service, *Louden* trolleys have been engineered for durability under a wide range of operating conditions.

A trolley for every need

There is a *Louden* trolley designed to meet each of a wide range of material handling conditions. The extensive *Louden* line covers heavy, medium and light loads, severe service conditions, temperature variations, acid fumes, excessive dust and grit, and explosive and corrosive atmospheres. This makes possible the selection of a *Louden* trolley exactly suited to specific operating conditions and at a reasonable cost relative to the operational requirements.

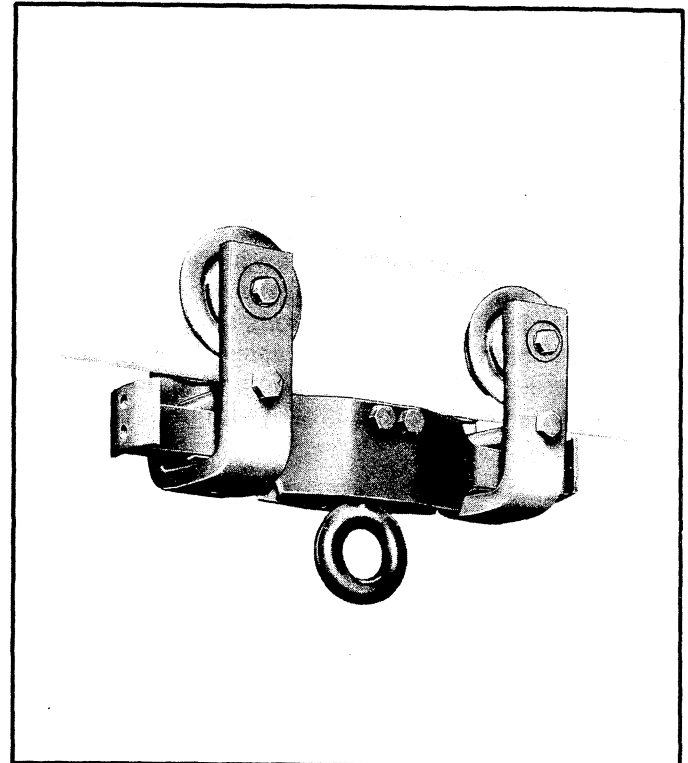
A wide selection of trolleys is available for operation on both 2" and 3.33" flange tracks. For 2" flange *SuperTrack* systems, capacities range from 375 to 6000 pounds. Capacities for 3.33" flange *SuperTrack* and *TrojanTrack* systems range from 375 to 20,000 pounds.

Easy operating, rugged wheels

Heavy and medium duty wheels are equipped with *Timken* tapered roller bearings or two single-row ball bearings. Two single-row pre-lubricated and permanently sealed ball bearings with external grease fittings are standard.

Exceptionally strong and durable, all wheels are made of forged steel with induction hardened treads. The combination of smooth flat treads and anti-friction bearings allow the trolleys to move with a minimum of effort.

All bearings selected for use in *Louden* wheel assemblies have been designed to exceed bearing life



requirements established by the Monorail Manufacturers Association specifications dated 1973. The average bearing life at varying speeds and loads for each wheel assembly can be found on the pages that follow.

Trolley construction

Depending on the type and capacity of the trolley, yokes are formed of structural or heavy channel steel. Loadbars are formed of structural steel or malleable cast iron.

All *Louden* trolleys are designed to allow yokes to swivel which provides proper alignment of the wheels with the track, especially when moving through a curve. On four-wheel trolleys, the yokes articulate, allowing the load to be distributed between all wheels. This permits easy propelling and smooth movement of the load. Correct length of the wheel base prevents trolleys from hopping or jumping. Bumpers are standard equipment on all four-wheel trolleys to provide adequate spacing, and to prevent damage to the wheels.

All *Louden* trolleys can be equipped with restraining lugs if desired. Restraining lugs can either be welded

directly to the trolley yoke, as illustrated in Figure "A", or they can be bolted to the trolley loadbar where applicable, as illustrated in Figure "B". When trolleys are to be used on systems with curves, and when restraining lugs are required, the lugs illustrated in Figure "A" must be used.

The design and manufacture of *Louden* trolleys comply with the Occupational Safety and Health Act (OSHA) of 1971, as interpreted by Acco Babcock Inc. Material Handling Group. Changes in these practices will occur from time to time to accommodate changes in the Act.

Environmental selections

Louden trolleys have been designed and manufactured for dependable operation in a wide range of environments. Unusual conditions such as high temperatures, high humidity, explosive and corrosive atmospheres, and high dust content, should all be examined when selecting trolleys for your particular application.

For applications where temperatures exceed 180°, or where humidity or the amount of foreign matter in the atmosphere is high, it is not usually recommended to use wheels with sealed bearings. Generally, pressure lubrication will be required under these conditions. Factory approval must be obtained for applications above 180 degrees F.

For applications where explosive atmospheres are present, non-sparking bronze wheels are available.

Bronze wheels may be used to replace forged steel wheels on most trolleys. Life expectancy of bronze wheel should be determined at 60% of forged steel wheels. Non-sparking bronze bumpers are also available on four-wheel trolleys.

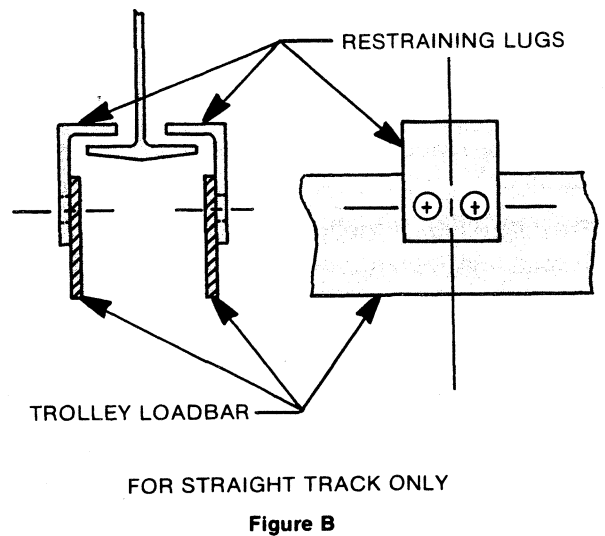
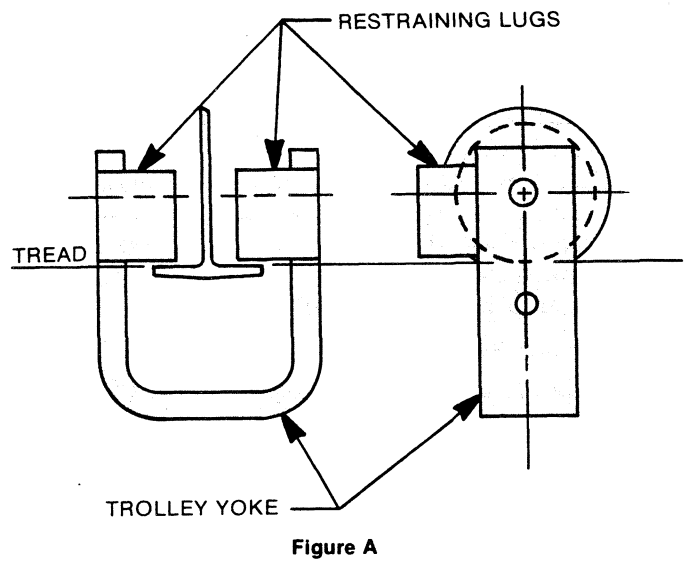
All catalog numbers in this section end with a letter or letters to designate the type of fitting on the trolley. Fitting letters are as follows:

- E = eye
- H = hook
- C - clevis
- SC = swivel clevis
- RF = flush rack
- RC = clevis rack
- TC = clevis rack (*Trojan Track* only)
- TF = flush rack (*Trojan Track* only)
- LF = less fitting (found on those trolleys without loadbar spacers)

WCS = with center spacer. Designates 'less fitting' on those trolleys with loadbar spacers.

Trolleys ordered as 'WCS' will be shipped without fittings such as eyes, hooks, etc., but will include the loadbar spacer. These letters must follow the catalog number when ordering trolleys.

Our engineers will be glad to assist you with the selection of the proper trolley for your particular application.





**LOUDEN® 28-0877 WHEEL ASSEMBLY
FOR USE WITH 2" FLANGE SUPERTRACK™ SYSTEMS**

400-3
Issued 9-7-01

28-0877 Wheel

Standard equipment on trolleys:

No. 402.1502, 402.3004,
402.6008, 402.3024.

**Wheel: forged steel with induction
hardened tread and flange.**

**Wheel: forged steel with induction
hardened tread and flange.**

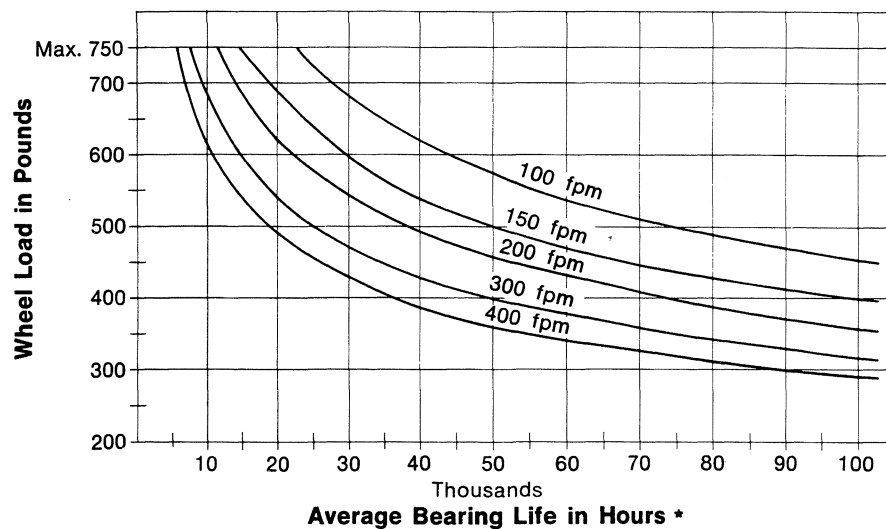
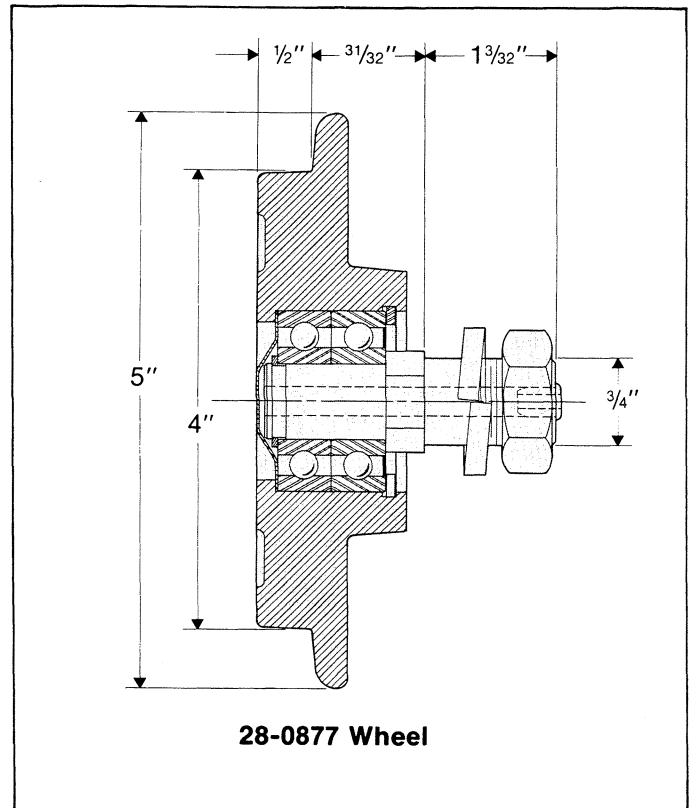
**Bearings: two single-row, pre-lubricated and
permanently sealed, anti-friction bearings.**

Axle: 3/4" diameter, machined steel.

Capacity: 750 lbs.

Weight: 3 lbs.

Option: spark-resistant bronze wheel.



The average bearing life (approximately 5 times the B-10 life) of an anti-friction bearing is the minimum expected life, in hours, of 50% of a group of bearings which are operated at a given speed and loading.

The B-10 bearing life of an anti-friction bearing is the minimum expected life, in hours, of 90% of a group of bearings which are operated at a given speed and loading.

*Bearing life in hours calculated from paragraph 5.1.22 of the Monorail Manufacturers Association specifications—1973.



**LOUDEN® 28-0875 WHEEL ASSEMBLY
FOR USE WITH 2" AND 3.33" FLANGE SUPERTRACK™ SYSTEMS**

400-4
Issued 9-7-01

28-0875 Wheel

Standard equipment on trolleys:
No. 402.372, 402.754.

Wheel: forged steel with induction hardened tread and flange.

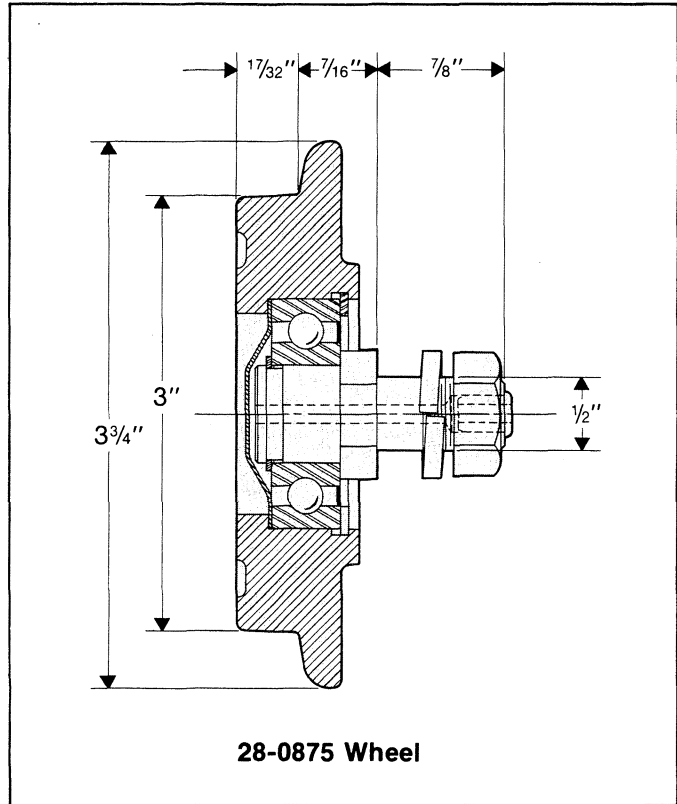
Bearings: one single-row, pre-lubricated and permanently sealed, anti-friction bearing.

Axle: 1/2" diameter, machined steel.

Capacity: 187.5 lbs.

Weight: 2 lbs.

Note: spark-resistant bronze wheel not available.



The average life of this assembly exceeds 25,000 hours at 150 fpm.



ACCO Material Handling Solutions
76 Acco Drive, Box 792, York, PA 17405-0792
717-741-4863, 800-967-7333, FAX 800-715-8897
E-mail: info@accomhs.com www.accomhs.com

© 2007 FKI Industries Inc.
Printed In USA



**LOUDEN® WHEEL ASSEMBLY FOR USE WITH
3.33" FLANGE SUPERTRACK™ AND TROJANTRACK™ SYSTEMS**

400-5
Issued 9-7-01

28-0878 Wheel

Standard equipment on trolleys:

No. 403.1502, 403.3004, 403.3024,
403.6008.

Wheels: forged steel with induction
hardened tread and flange.

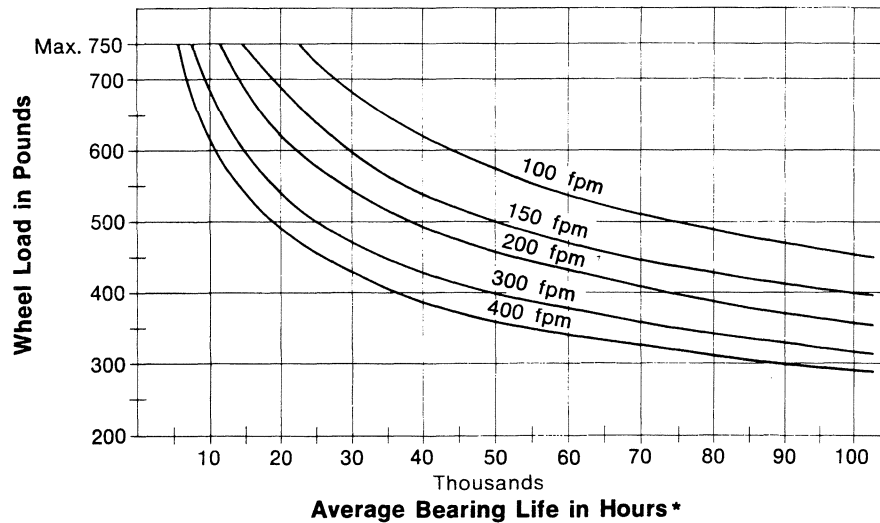
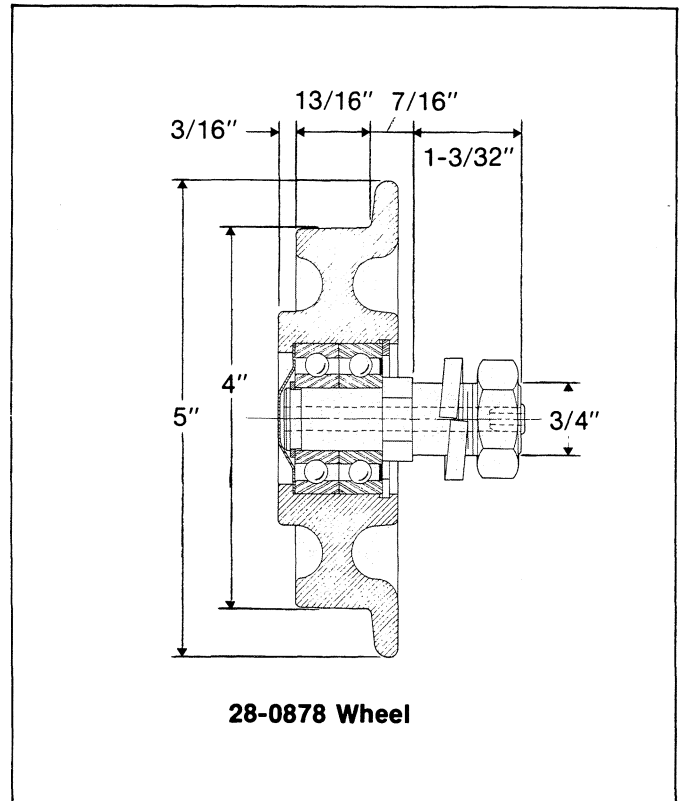
Bearings: two single-row, pre-lubricated and
permanently sealed, anti-friction bearings.

Axle: 3/4" diameter, machined steel.

Capacity: 750 lbs.

Weight: 3 lbs.

Option: spark-resistant bronze wheel.



The average bearing life (approximately 5 times the B-10 life) of an anti-friction bearing is the minimum expected life, in hours, of 50% of a group of bearings which are operated at a given speed and loading.

The B-10 bearing life of an anti-friction bearing is the minimum expected life, in hours, of 90% of a group of bearings which are operated at a given speed and loading.

*Bearing life in hours calculated from paragraph 5.1.22 of the Monorail Manufacturers Association specifications—1973.



**LOUDEN® FLANGELESS WHEEL ASSEMBLY FOR USE WITH
2" AND 3.33" FLANGE SUPERTRACK™ AND TROJANTRACK™ SYSTEMS**

400-6
Issued 9-7-01

28-0879 Flangeless Wheel

Standard equipment on trolley:
402.1552LF, 403.1552LF

Wheel: forged steel with induction hardened tread.

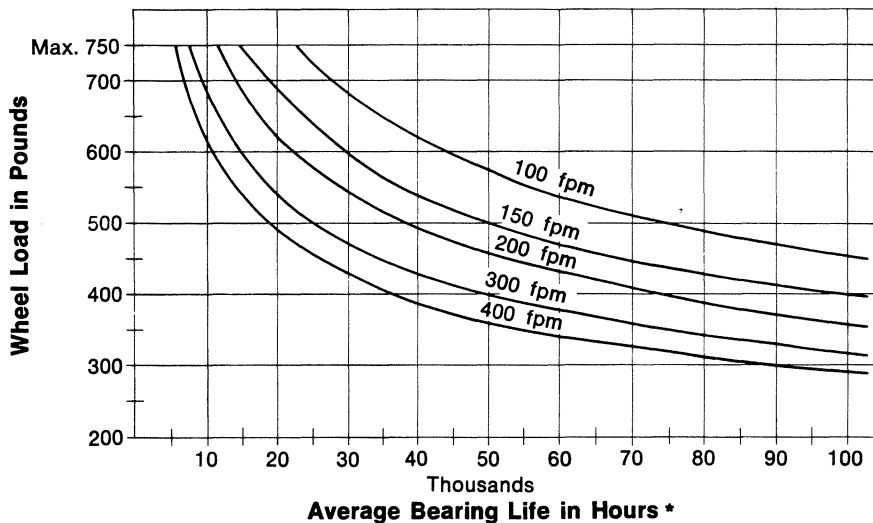
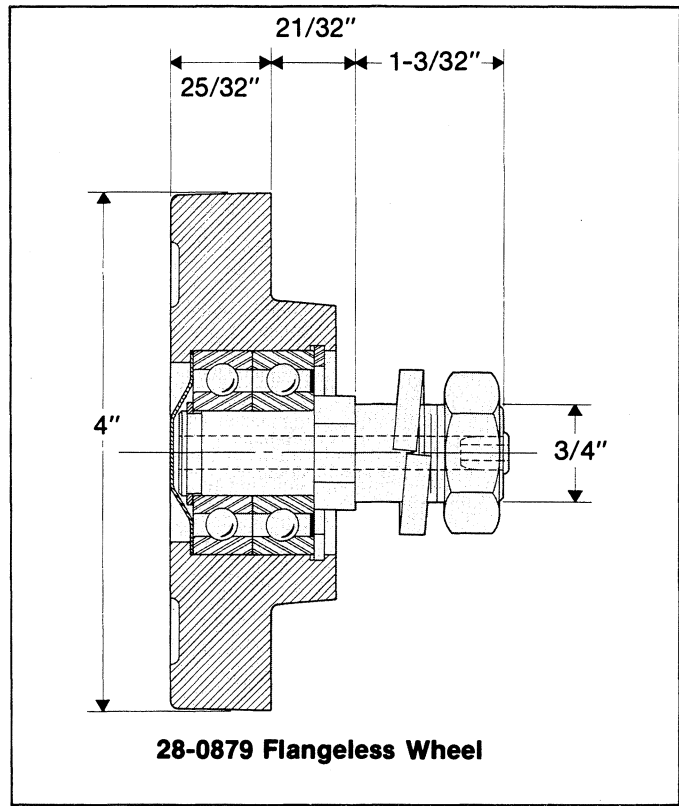
Bearings: two single-row, pre-lubricated and permanently sealed, anti-friction bearings.

Axle: 3/4" diameter, machined steel.

Capacity: 750 lbs.

Weight: 3 lbs.

Option: spark-resistant bronze wheel.



The average bearing life (approximately 5 times the B-10 life) of an anti-friction bearing is the minimum expected life, in hours, of 50% of a group of bearings which are operated at a given speed and loading.

The B-10 bearing life of an anti-friction bearing is the minimum expected life, in hours, of 90% of a group of bearings which are operated at a given speed and loading.

*Bearing life in hours calculated from paragraph 5.1.22 of the Monorail Manufacturers Association specifications—1973.



ACCO Material Handling Solutions
76 Acco Drive, Box 792, York, PA 17405-0792
717-741-4863, 800-967-7333, FAX 800-715-8897
E-mail: info@accmhs.com www.accmhs.com

© 2007 FKI Industries Inc.
Printed In USA



**LOUDEN[®] 28-0882 WHEEL ASSEMBLY FOR USE WITH
3.33" FLANGE SUPERTRACK[™] AND TROJANTRACK[™] SYSTEMS**

400-7
Issued 9-7-01

28-0882 Wheel

Standard equipment on trolleys:
No. 403.2502, 403.5004, 403.1008.

Wheel: forged steel with induction hardened tread and flange.

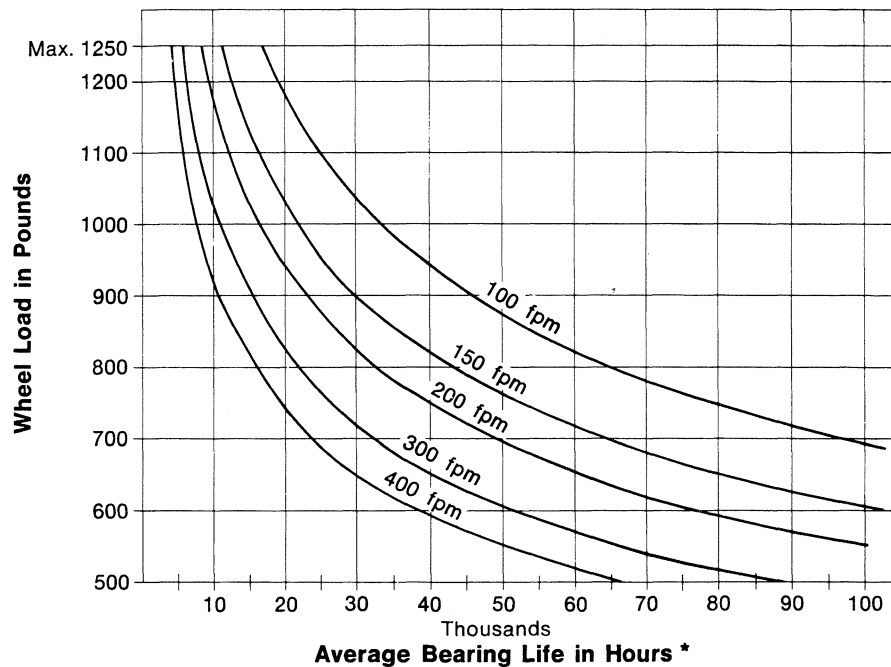
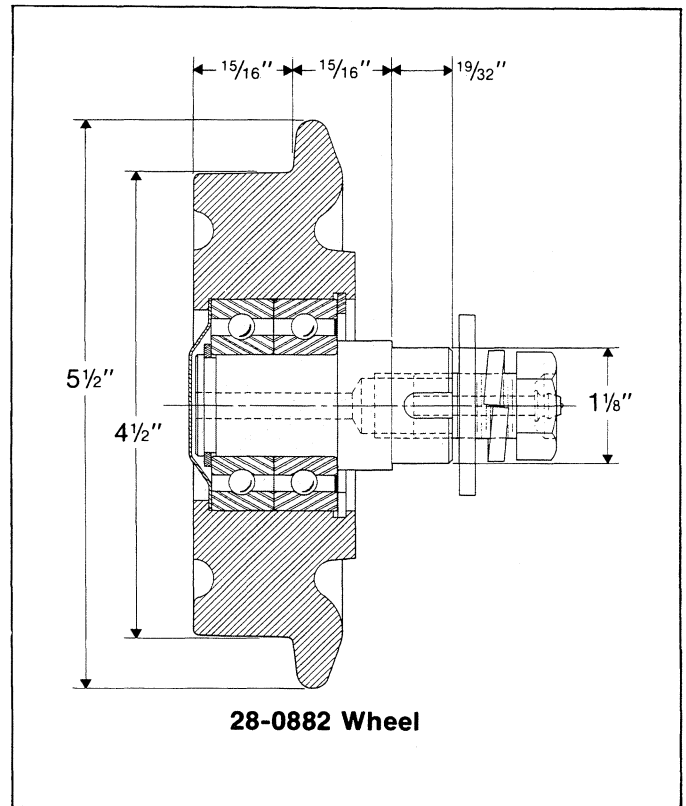
Bearings: double row, pre-lubricated and permanently sealed, anti-friction bearings

Axle: 1-1/8" diameter, machined steel.

Capacity: 1250 lbs.

Weight: 6 lbs.

Option: spark-resistant bronze wheel.



The average bearing life (approximately 5 times the B-10 life) of an anti-friction bearing is the minimum expected life, in hours, of 50% of a group of bearings which are operated at a given speed and loading.

The B-10 bearing life of an anti-friction bearing is the minimum expected life, in hours, of 90% of a group of bearings which are operated at a given speed and loading.

* Bearing life in hours calculated from paragraph 5.1.22 of the Monorail Manufacturers Association specifications—1973.



28-0881 Flangeless Wheel

Standard equipment on trolley:
403.2552LF.

Wheel: forged steel with induction hardened tread.

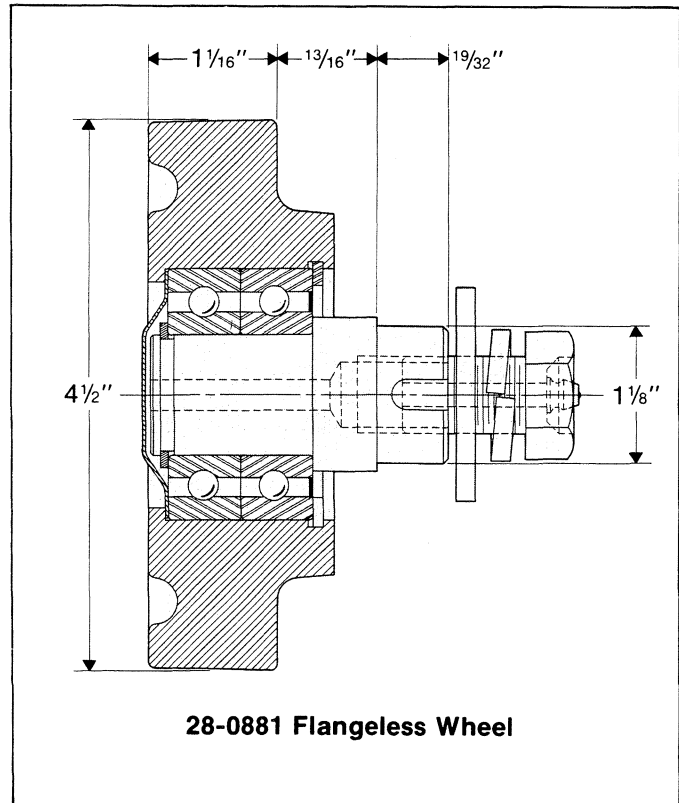
Bearings: two single-row, pre-lubricated and permanently sealed, anti-friction bearings.

Axle: 1-1/8" diameter, machined steel.

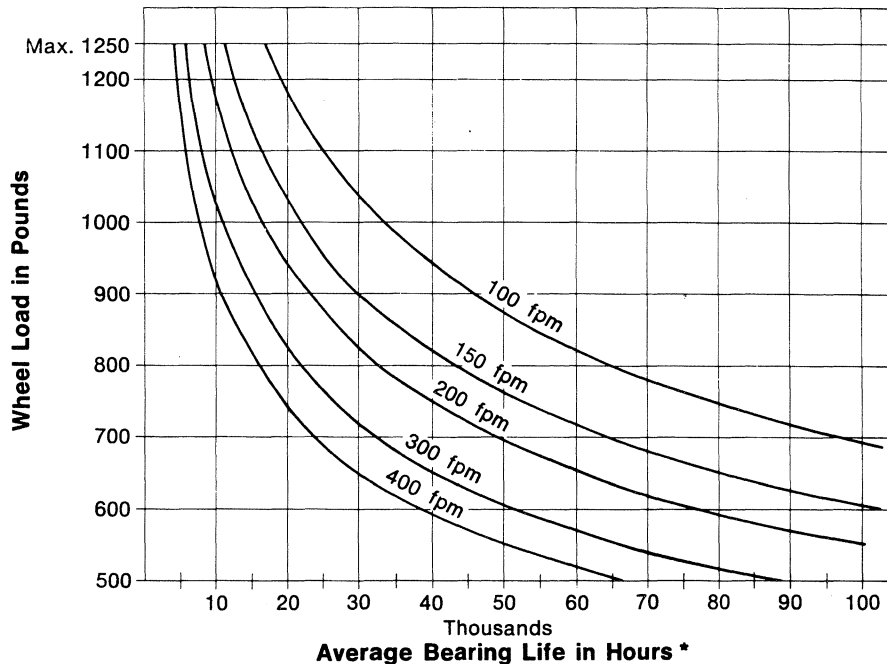
Capacity: 1250 lbs.

Weight: 5 lbs.

Option: spark-resistant bronze wheel.



28-0881 Flangeless Wheel



The average bearing life (approximately 5 times the B-10 life) of an anti-friction bearing is the minimum expected life, in hours, of 50% of a group of bearings which are operated at a given speed and loading.

The B-10 bearing life of an anti-friction bearing is the minimum expected life, in hours, of 90% of a group of bearings which are operated at a given speed and loading.

*Bearing life in hours calculated from paragraph 5.1.22 of the Monorail Manufacturers Association specifications—1973.





**LOUDEN® 28-0593 WHEEL ASSEMBLY FOR USE WITH
3.33" FLANGE SUPERTRACK™ AND TROJANTRACK™ SYSTEMS**

400-9
Issued 9-7-01

28-0593 (PF-4370) Wheel

Standard equipment on trolleys:

No. 403.5002, 403.10004.

Wheel: forged steel with heat treated hardened tread and flange.

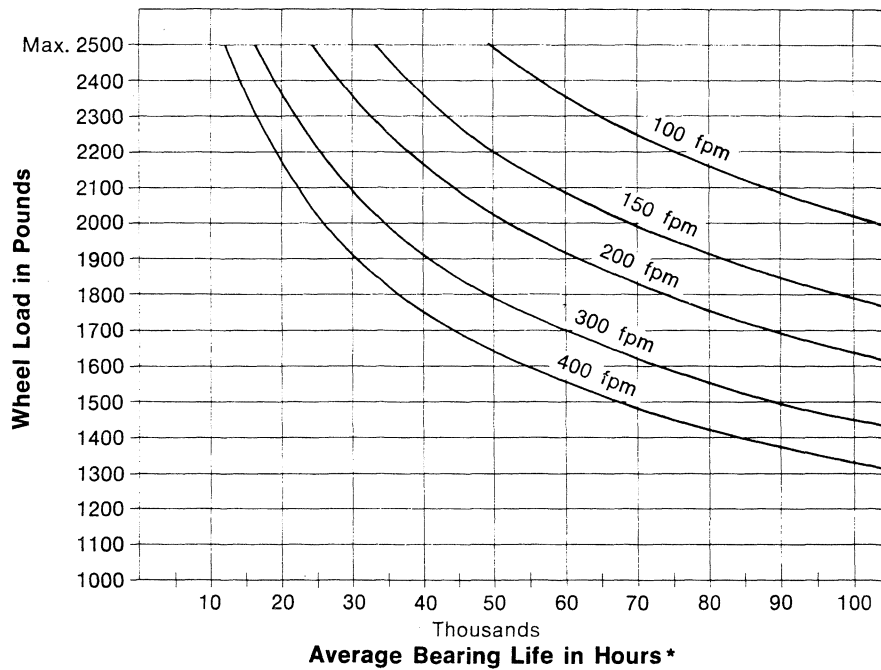
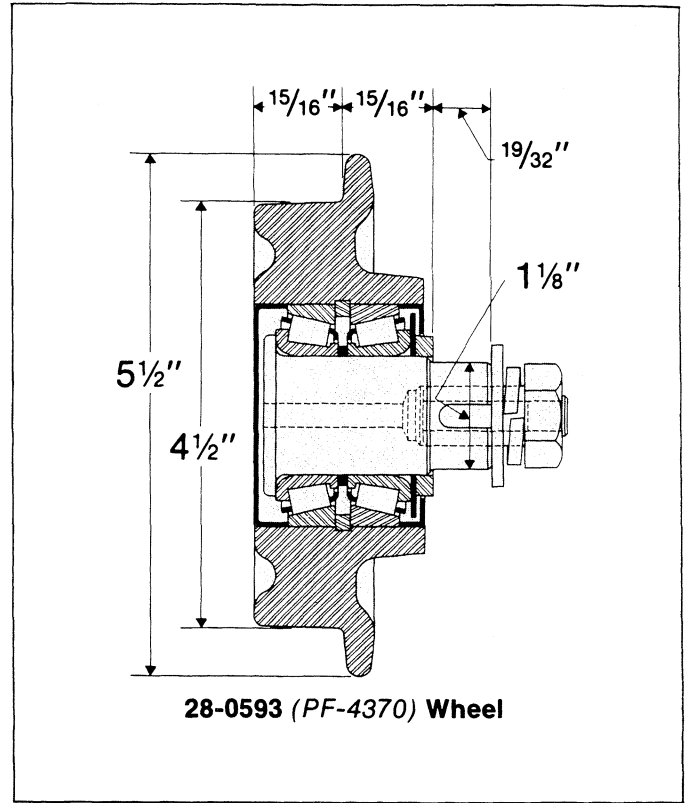
Bearings: heavy duty, double row, Timken tapered roller bearings, pre-lubricated and sealed for long service without re-lubrication under normal conditions. Equipped with fitting for refreshing lubricant under abnormal conditions.

Axle: 1-1/8" diameter, machined steel.

Capacity: 2500 lbs.

Weight: 7 lbs.

Option: spark-resistant bronze wheel.



The average bearing life (approximately 5 times the B-10 life) of an anti-friction bearing is the minimum expected life, in hours, of 50% of a group of bearings which are operated at a given speed and loading.

The B-10 bearing life of an anti-friction bearing is the minimum expected life, in hours, of 90% of a group of bearings which are operated at a given speed and loading.

* Bearing life in hours calculated from paragraph 5.1.22 of the Monorail Manufacturers Association specifications—1973.

28-0595 (PF-4377) Flangeless Wheel

Standard equipment on trolley:
403.5052LF.

Wheel: forged steel with induction hardened tread.

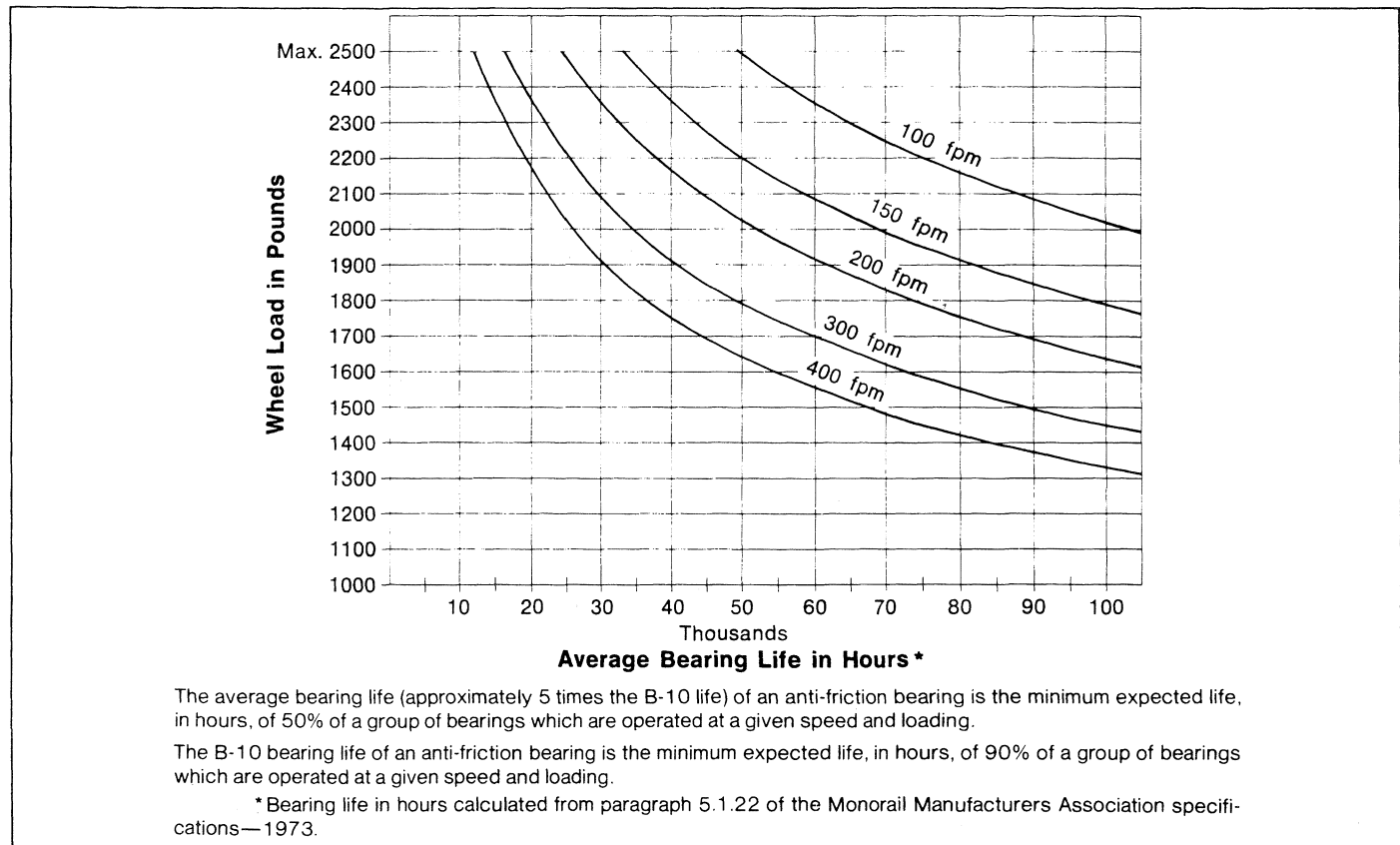
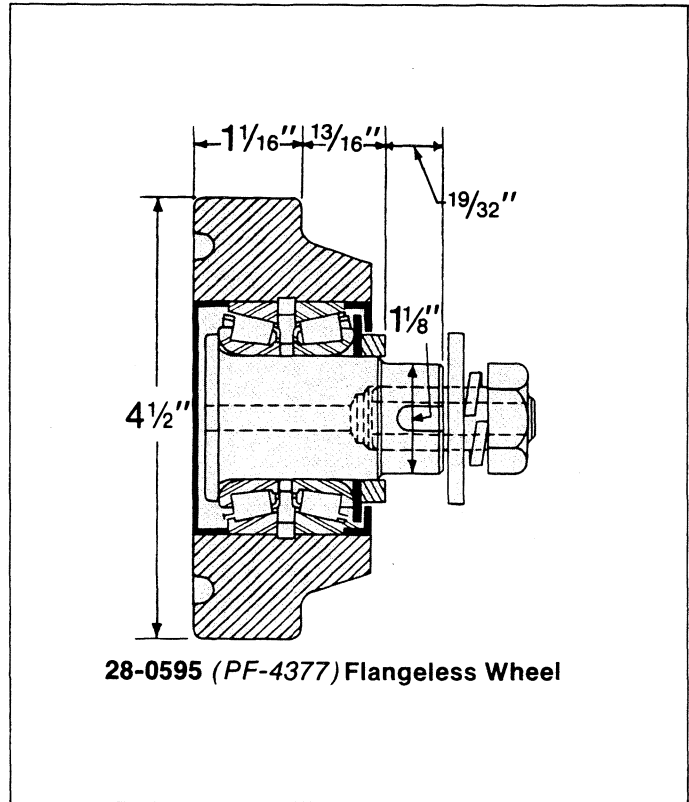
Bearings: heavy duty, double row, Timken tapered roller bearings, pre-lubricated and sealed for long service without re-lubrication under normal conditions. Equipped with fitting for refreshing lubricant under abnormal conditions.

Axle: 1-1/8" diameter, machined steel.

Capacity: 2500 lbs.

Weight: 7 lbs.

Option: spark-resistant bronze wheel.





**LOUDEN® 28-0589 FLANGELESS WHEEL ASSEMBLY
FOR USE WITH 3.33" FLANGE TROJANTRACK™ GIRDER TRACK
SYSTEMS**

400-11
Issued 9-7-01

28-0589 (PF-4354) Flangeless Wheel

Standard equipment on trolleys:
No. 403.10052, 403.20054

Wheel: forged steel with heat treated hardened tread.

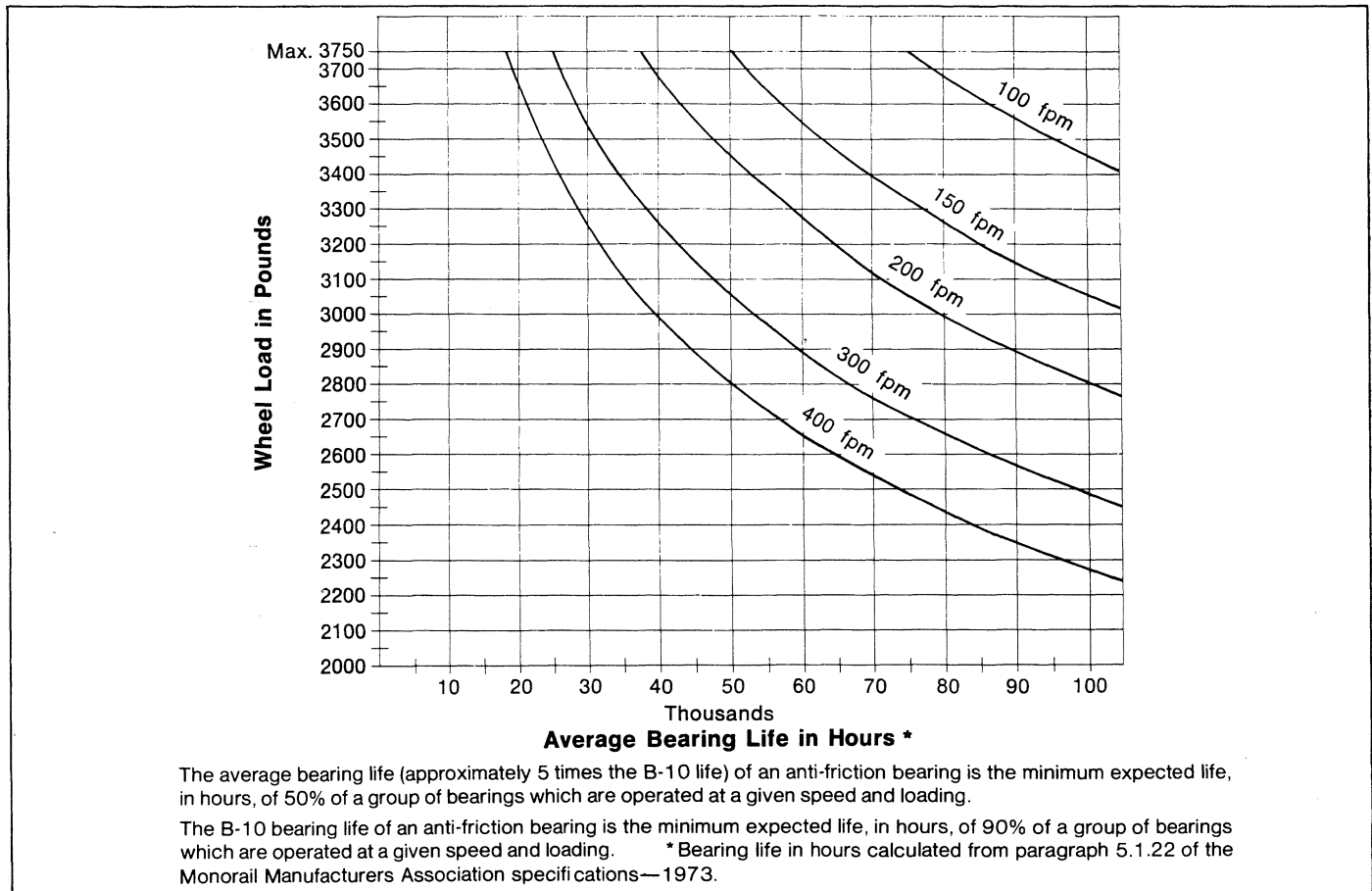
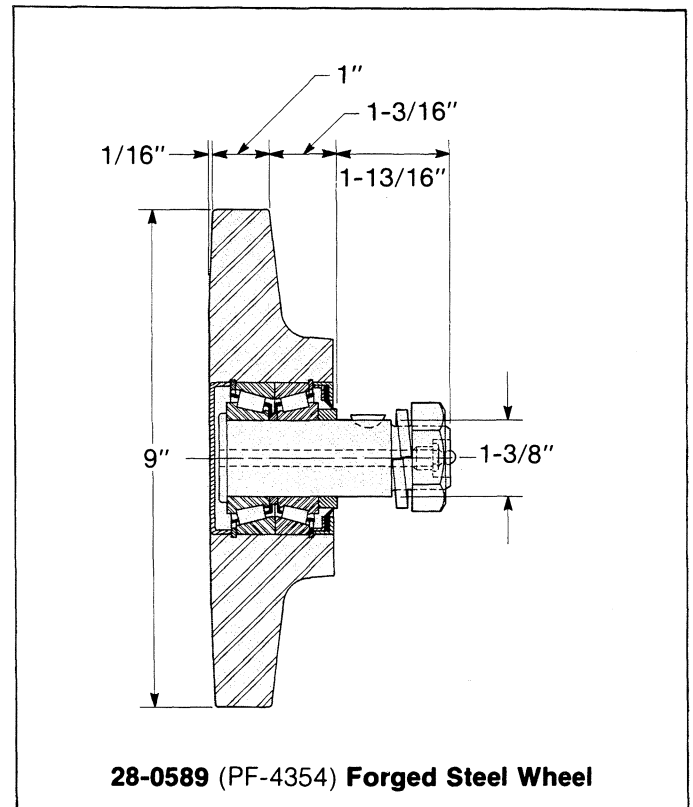
Bearings: heavy duty, double row, Timken tapered roller bearings, pre-lubricated and sealed for long service without re-lubrication under normal conditions. Equipped with fitting for refreshing lubricant under abnormal conditions.

Axle: 1-3/8" diameter, machined steel.

Capacity: 5000 lbs.

Weight: 22 lbs.

Note: spark-resistant bronze wheel not available.





ACCO Material Handling Solutions

76 Acco Drive, Box 792, York, PA 17405-0792
717-741-4863, 800-967-7333, FAX 800-715-8897
E-mail: info@accomhs.com www.accomhs.com

© 2007 FKI Industries Inc.
Printed In USA

LOUDEN®

**TROLLEYS
FOR USE WITH 2" FLANGE
SUPERTRACK™ SYSTEMS**

FEATURES AND BENEFITS

FEATURES

Trolley yokes are one (1) piece cold formed steel.

Precision ball or tapered roller bearings mating wheel with high strength axle.

Utilizes flat tread wheels turned from forged steel blanks with induction hardened tread and flanges. Has a minimum hardness of 425 Brinnell.

Bolt through the side of the yoke.

All trolleys are fully articulating.

Standard engineered loadbar, with properly spaced trolleys.

Bronze wheels available on some units.

Trolleys equipped with external grease fittings.

Flangeless wheels with guide rollers available.

Standard engineered load fittings available.

BENEFITS

Structural and dimensional integrity, resulting in a consistently high quality component.

Easy horizontal movement of trolley along track, adds longevity to components.

Long wearing tread and flange for exceptionally long service life, with minimum rolling friction.

Contains loadbar in trolley, and is easily removed thereby simplifying erection of the system.

Equalizes load to both sides of rail, minimizing unit stresses, resulting in longer life of track. Definite plus over "Kingpin" type. Additionally, trolleys guide smoothly around curves and through switches and latches in monorail systems.

Equalizes wheel load along track for reduced unit stresses (as above), plus protecting trolleys from damage with rugged bumpers.

For applications where atmospheres dictate the use of spark-resistant components.

Enables refreshing lubricant to be added as required on systems with severe duty cycle.

Reduces track wear on systems with severe duty cycle or a large number of curves and switches.

Swiveling clevis, hooks, or eyes may be specified for attaching a wide variety of loads to the trolley.

LOUDEN®

TROLLEYS

**FOR USE WITH 2" FLANGE
SUPERTRACK™ SYSTEMS**

**375 lb. Capacity Two-Wheel Trolley
with 28-0875 Wheel Assembly**

Two-wheel trolleys are for use with special load bars, racks and carriers. When used as independent load carrying units, two-wheel trolleys do not provide the ease and smoothness of travel accomplished by their use in pairs, one at each end of the carrier.

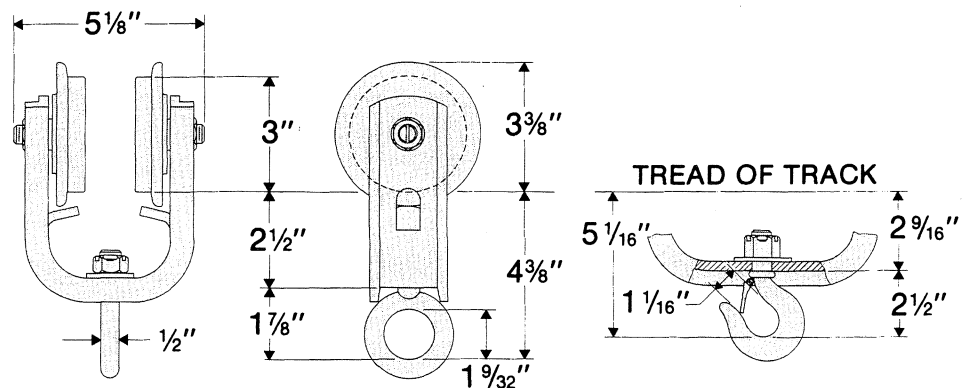
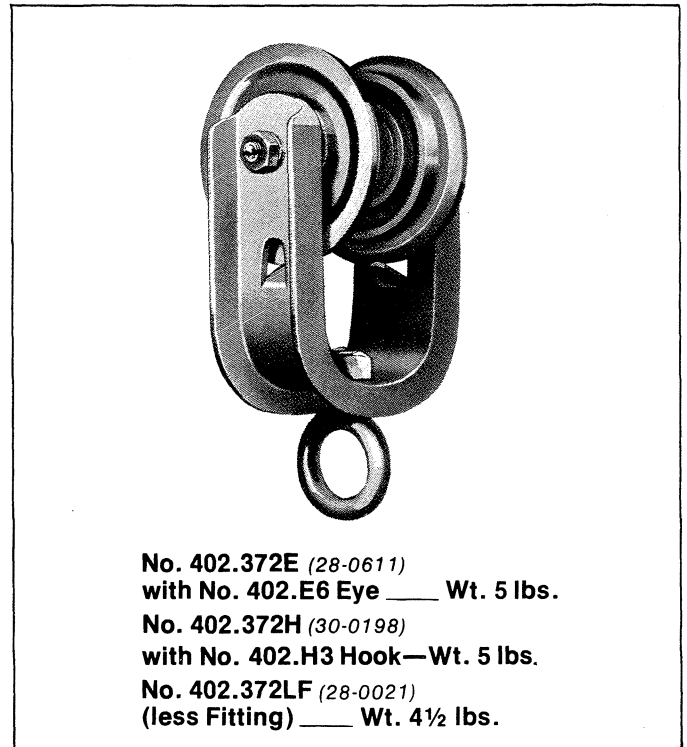
Yokes for this trolley assembly are formed from channel steel. Forged eye fittings are available.

For wheel assembly, refer to page 400-4.

Spark-resistant bronze wheels
not available.

For use in tongue switches No. 702.6230, No. 702.6233 and No. 702.6232 **ONLY**.

WARNING: Equipment described herein is not designed for and should not be used for lifting, supporting or transporting humans. Use of the equipment for this purpose can result in serious bodily injury and/or property damage.



No. 402.372E
(28-0611)

No. 402.372H
(30-0198)

Approximate dimensions are shown. Certified prints furnished on request.



LOUDEN® TROLLEYS
FOR USE WITH 2" FLANGE SUPERTRACK™ SYSTEMS

402-2
 Issued 9-7-01

750 lb. Capacity Four-Wheel Trolley with 28-0875 Wheel Assembly

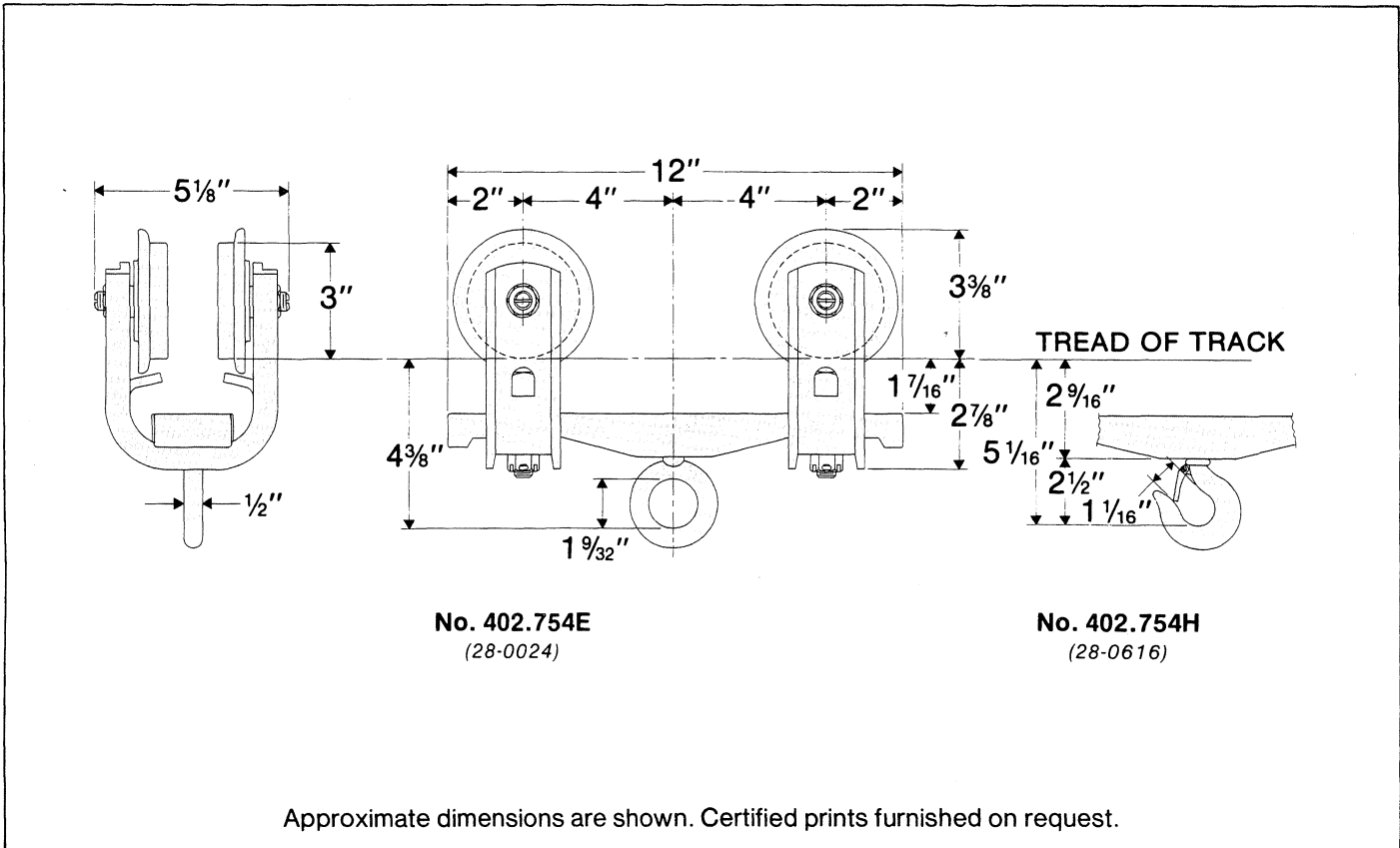
Yokes for this assembly are formed from channel steel. Loadbars are cast malleable iron. Forged eye or hook fittings are available.

For wheel assembly, refer to page 400-4

Spark-resistant bronze wheels not available.

For use in tongue switches No. 702.6230, No. 702.6233 and No. 702.6232 **ONLY**.

Will not work on close approach end stops.





**LOUDEN® TROLLEYS
FOR USE WITH 2" FLANGE SUPERTRACK™ SYSTEMS**

402-3
Issued 9-7-01

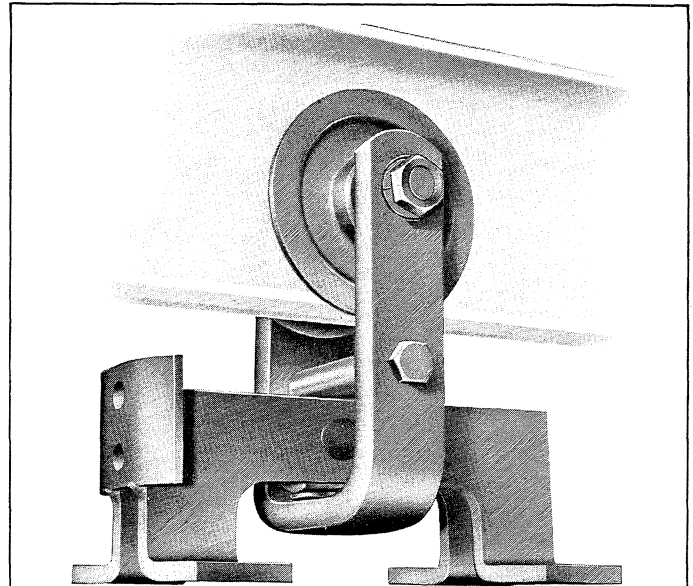
**1500 lb. Capacity Two-Wheel Trolley
with 28-0877 Wheel Assembly**

Two-wheel trolleys are for use with special loadbars, racks and carriers. When used as independent load carrying units, two-wheel trolleys do not provide the ease and smoothness of travel accomplished by their use in pairs, one at each end of the carrier.

Yoke and fittings are made from formed steel.

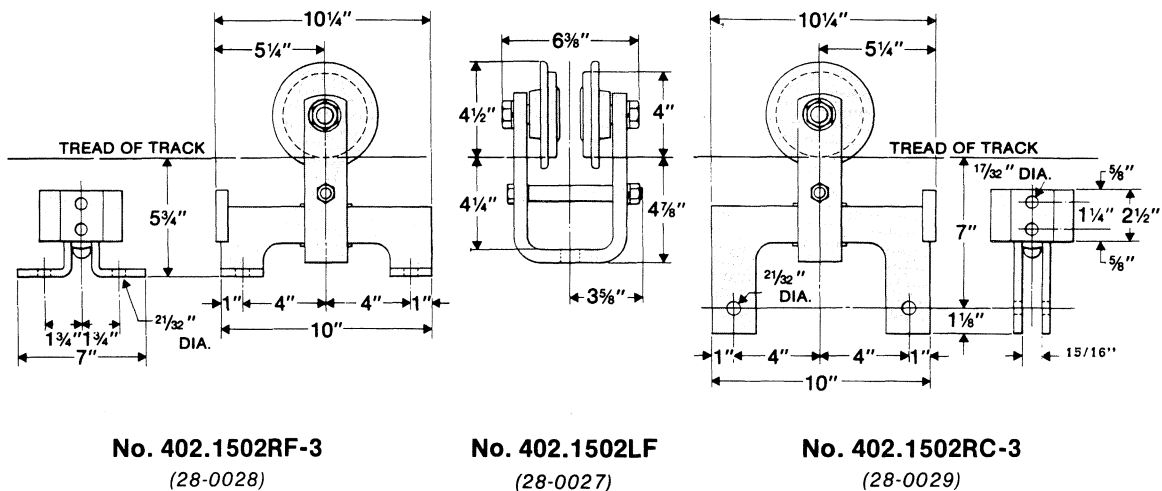
For wheel assembly, refer to page 400-3.

Option: spark-resistant bronze wheels.



**No. 402.1502RF-3 (28-0028)
with No. 402.RF-3 Flush Rack Fitting ____ Wt. 20 lbs.**
**No. 402.1502LF (28-0027)
(Less Fitting) ____ Wt. 17 lbs.**
**No. 402.1502RC-3 (28-0029)
with No. 402.RC-3 Clevis Rack Fitting ____ Wt. 20 lbs.**

WARNING: Equipment described herein is not designed for and should not be used for lifting, supporting or transporting humans. Use of the equipment for this purpose can result in serious bodily injury and/or property damage.



Approximate dimensions are shown. Certified prints furnished on request.



**LOUDEN® TROLLEYS
FOR USE WITH 2" FLANGE SUPERTRACK™ SYSTEMS**

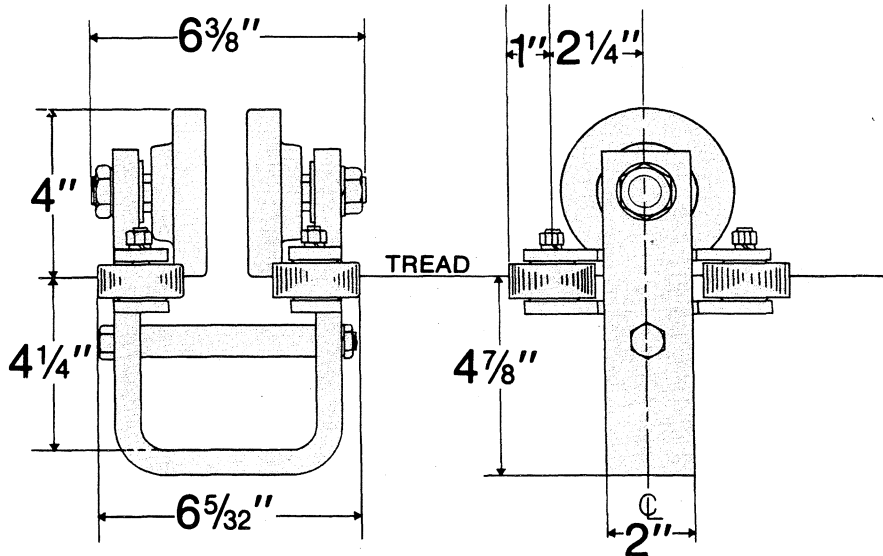
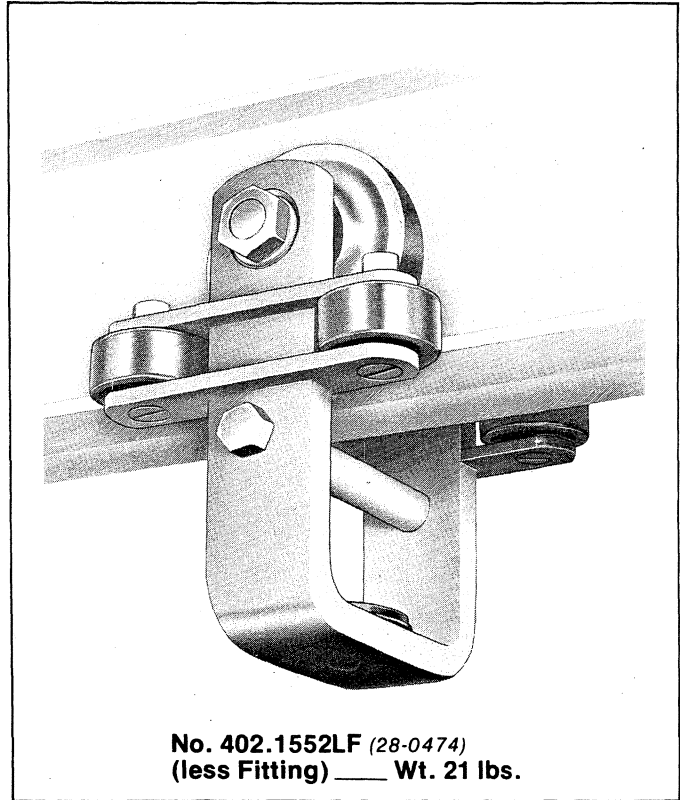
402-4
Issued 9-7-01

**1500 lb. Capacity Two-Wheel Trolley with
28-0879 Flangeless Wheel Assembly
and Guide Rollers**

This trolley may be substituted for the standard trolleys illustrated on pages 3, 5, and 7 of this 402 section. It is also available as an alternate for trolleys of this capacity on crane trucks, hoist trolleys and special carriers.

Yokes for this assembly are formed steel with welded steel roller brackets. Guide rollers have single row, pre-lubricated and permanently sealed anti-friction bearings, with heavy wall, hardened outer race.

For wheel assembly, refer to page 400-6.



**No. 402.1552LF
(28-0474)**

Approximate dimensions are shown. Certified prints furnished on request.



ACCO Material Handling Solutions
76 Acco Drive, Box 792, York, PA 17405-0792
717-741-4863, 800-967-7333, FAX 800-715-8897
E-mail: info@accomhs.com www.accomhs.com

© 2007 FKI Industries Inc.
Printed In USA



LOUDEN® TROLLEYS
FOR USE WITH 2" FLANGE SUPERTRACK™ SYSTEMS

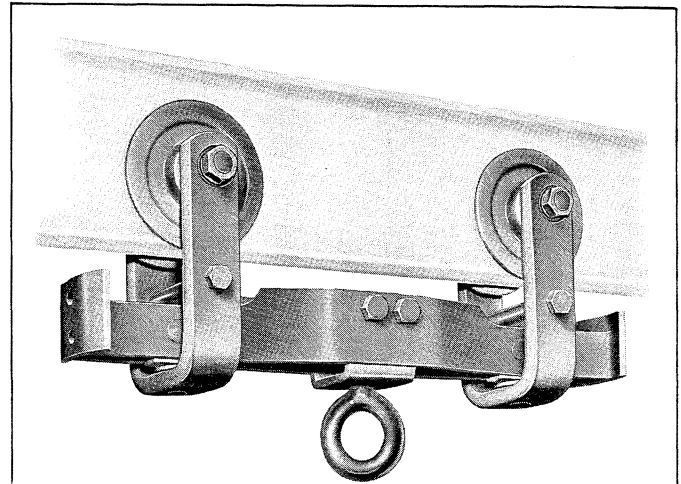
402-5
 Issued 9-7-01

3000 lb. Capacity Four-Wheel Trolley
with 28-0877 Wheel Assembly

Yokes and loadbar of this trolley assembly are formed steel. Fittings available are forged eye, hook, fabricated steel clevis or two-piece malleable iron swivel clevis.

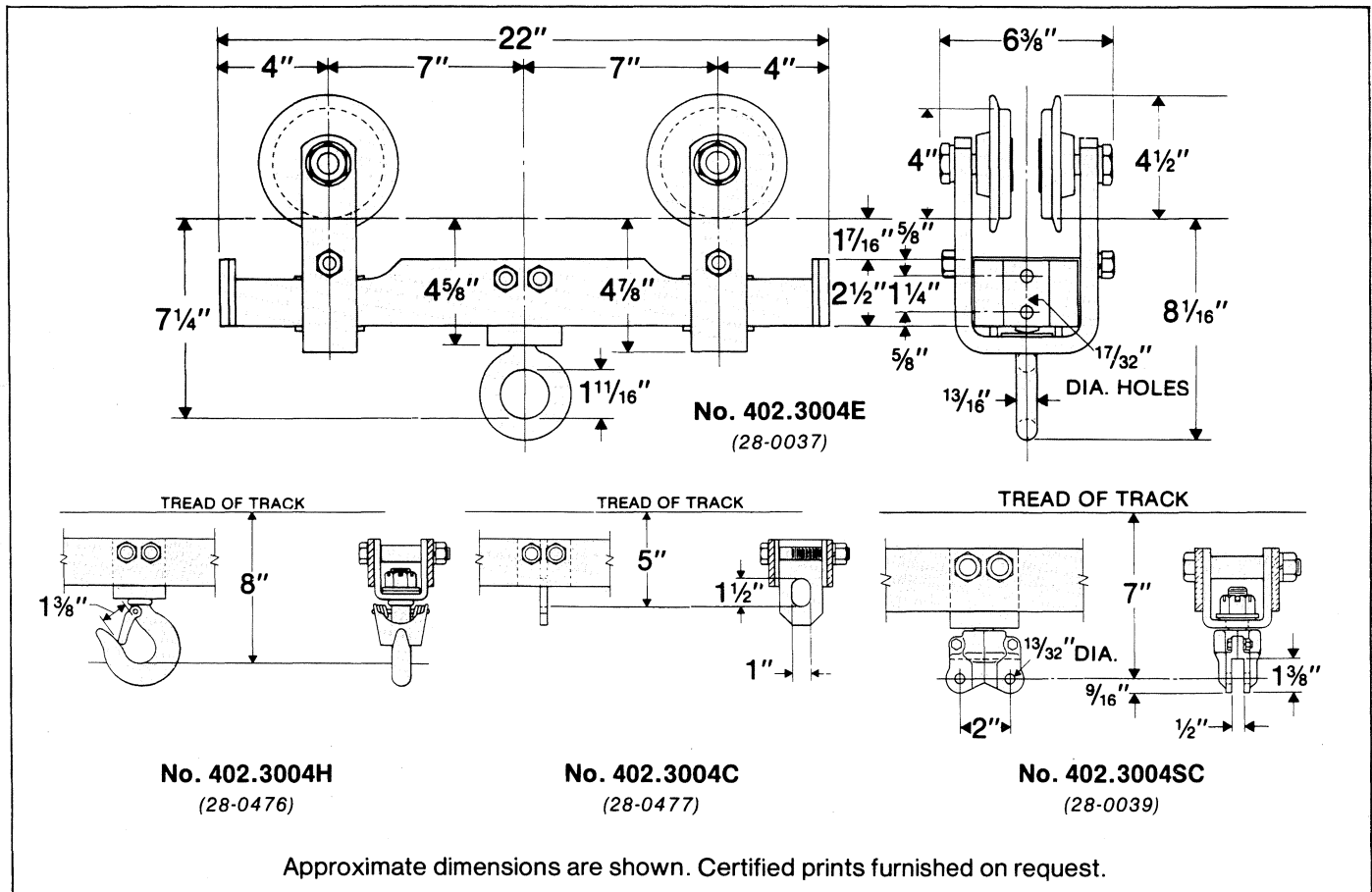
For wheel assembly, refer to page 400-3.

Option: spark-resistant bronze wheels.



- No. 402.3004E (28-0037)
 with No. 402.E9 Eye ____ Wt. 38½ lbs.
- No. 402.3004H (28-0476)
 with No. 402.H6 Hook ____ Wt. 39 lbs.
- No. 402.3004C (28-0477)
 with No. 402.C3 Clevis ____ Wt. 36 lbs.
- No. 402.3004SC (28-0039)
 with No. 402.SC3 Swivel Clevis ____ Wt. 42 lbs.
- No. 402.3004WCS (28-0475)
 with Center Spacer ____ Wt. 38 lbs.

WARNING: Equipment described herein is not designed for and should not be used for lifting, supporting or transporting humans. Use of the equipment for this purpose can result in serious bodily injury and/or property damage.





LOUDEN® TROLLEYS
FOR USE WITH 2" FLANGE SUPERTRACK™ SYSTEMS

402-6
 Issued 9-7-01

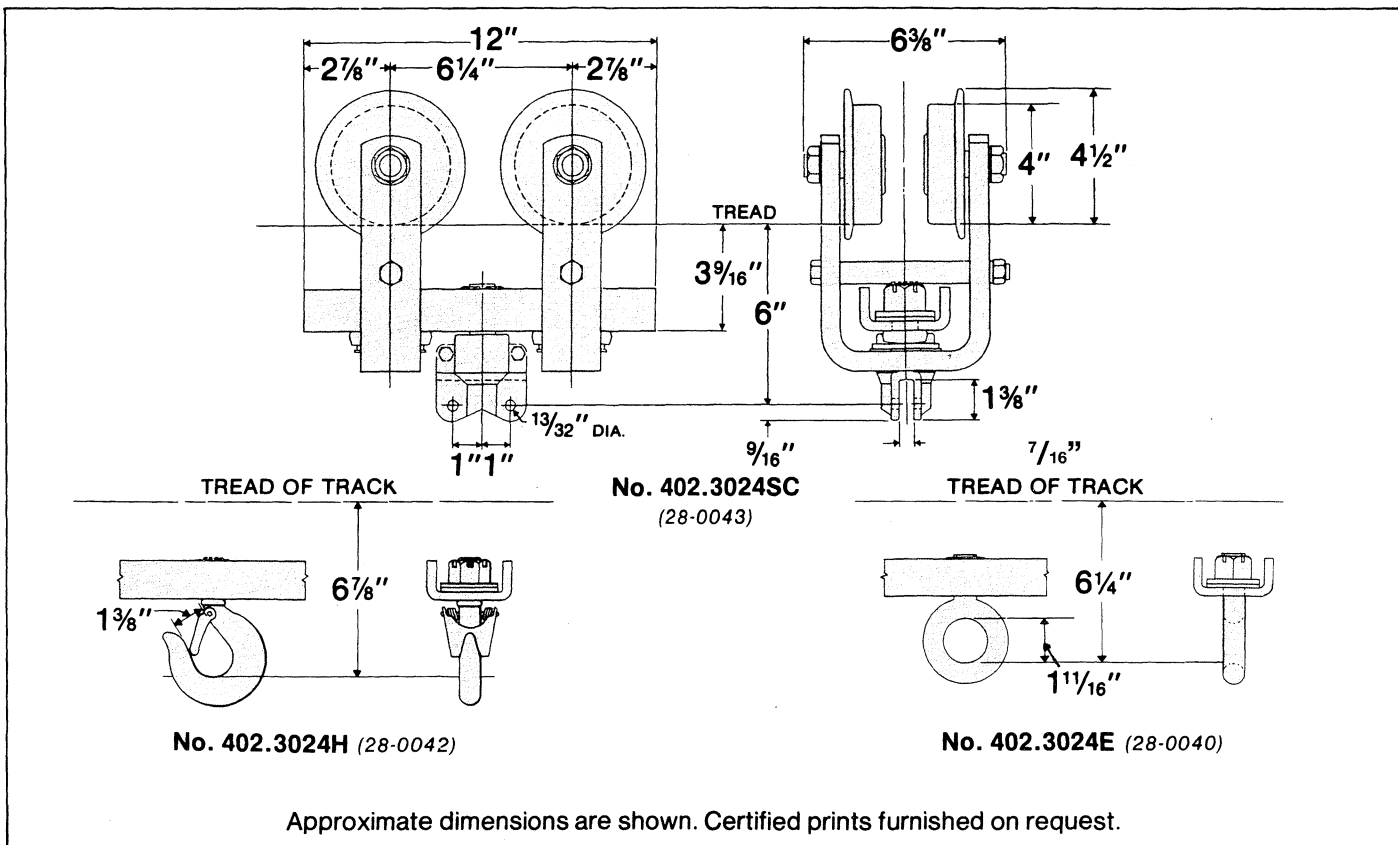
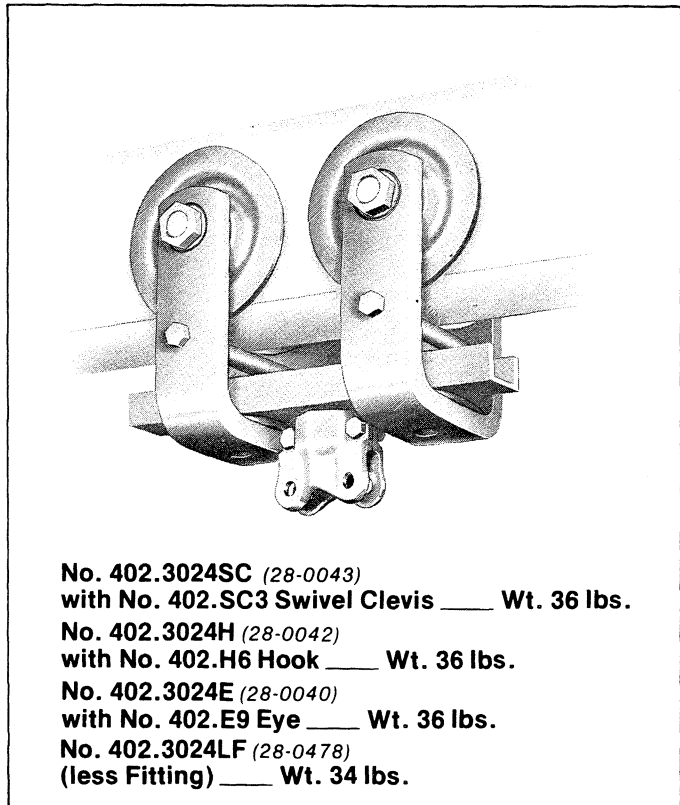
3000 lb. Capacity Four-Wheel Trolley with 28-0877 Wheel Assembly

Yokes and loadbar for this assembly are formed steel. Fittings available are forged eye, hook or two-piece malleable iron swivel clevis.

Yokes with guide rollers cannot be used on this trolley.

For wheel assembly, refer to page 400-3.

Option: spark-resistant bronze wheels.



ACCO Material Handling Solutions
 76 Acco Drive, Box 792, York, PA 17405-0792
 717-741-4863, 800-967-7333, FAX 800-715-8897
 E-mail: info@accomhs.com www.accomhs.com

© 2007 FKI Industries Inc.
 Printed In USA



LOUDEN® TROLLEYS
FOR USE WITH 2" FLANGE SUPERTRACK™ SYSTEMS

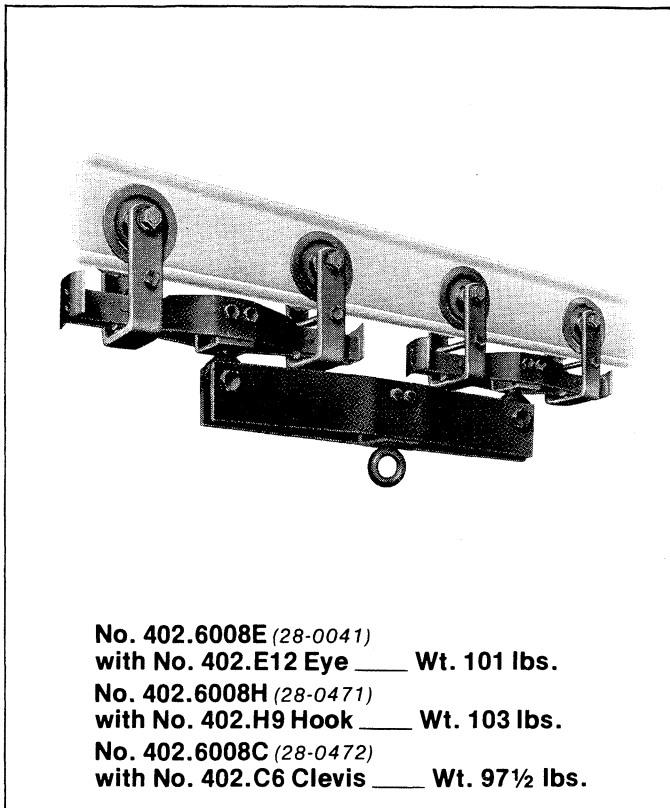
402-7
 Issued 9-7-01

**6000 lb. Capacity Eight-Wheel Trolley Assembly
 with 28-0877 Wheel Assembly**

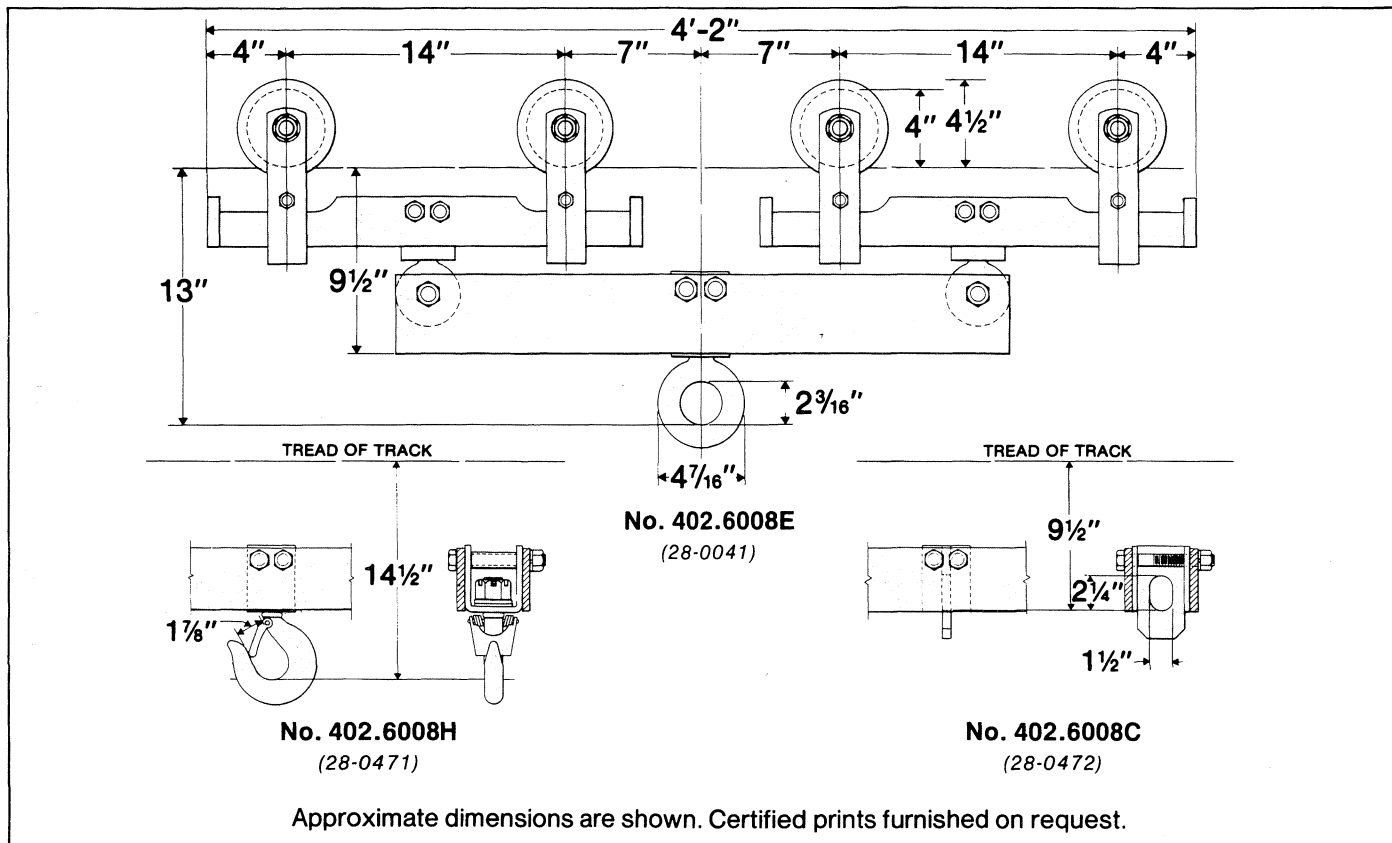
Yokes, loadbar and connecting bar are formed steel. Fittings available are forged eye, hook or fabricated steel clevis.

For wheel assembly, refer to page 400-3.

Option: (a) spark-resistant bronze wheels.



WARNING: Equipment described herein is not designed for and should not be used for lifting, supporting or transporting humans. Use of the equipment for this purpose can result in serious bodily injury and/or property damage.



ACCO Material Handling Solutions
 76 Acco Drive, Box 792, York, PA 17405-0792
 717-741-4863, 800-967-7333, FAX 800-715-8897
 E-mail: info@accomhs.com www.accomhs.com

© 2007 FKI Industries Inc.
 Printed In USA

LOUDEN®
TROLLEYS
FOR USE WITH 3.33" FLANGE
SUPERTRACK™ SYSTEMS
FEATURES AND BENEFITS

FEATURES

Trolley yokes are one (1) piece cold formed steel.

Precision ball or tapered roller bearings mating wheel with high strength axle.

Utilizes flat tread wheels turned from forged steel blanks with induction hardened tread and flanges. Has a minimum hardness of 425 Brinnell.

Bolt through the side of the yoke.

All trolleys are fully articulating.

Standard engineered loadbar, with properly spaced trolleys.

Bronze wheels available on some units.

Trolleys equipped with external grease fittings.

Flangeless wheels with guide rollers available.

Standard engineered load fittings available.

BENEFITS

Structural and dimensional integrity, resulting in a consistently high quality component.

Easy horizontal movement of trolley along track, adds longevity to components.

Long wearing tread and flange for exceptionally long service life, with minimum rolling friction.

Contains loadbar in trolley, and is easily removed thereby simplifying erection of the system.

Equalizes load to both sides of rail, minimizing unit stresses, resulting in longer life of track. Definite plus over "Kingpin" type. Additionally, trolleys guide smoothly around curves and through switches and latches in monorail systems.

Equalizes wheel load along track for reduced unit stresses (as above), plus protecting trolleys from damage with rugged bumpers.

For applications where atmospheres dictate the use of spark-resistant components.

Enables refreshing lubricant to be added as required on systems with severe duty cycle.

Reduces track wear on systems with severe duty cycle or a large number of curves and switches.

Swiveling clevis, hooks, or eyes may be specified for attaching a wide variety of loads to the trolley.

LOUDEN®

TROLLEYS

FOR USE WITH 3.33" FLANGE
SUPERTRACK™ SYSTEMS

**375 lb. Capacity Two-Wheel Trolley
with 28-0875 Wheel Assembly**

Two-wheel trolleys are for use with special loadbars, racks and carriers. When used as independent load bearing units, two-wheel trolleys do not provide the ease and smoothness of travel accomplished by their use in pairs, one at each end of the carrier.

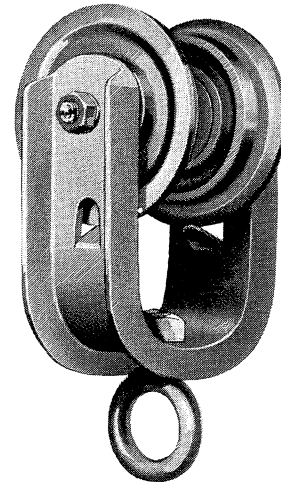
Yokes for this trolley assembly are formed from channel steel. Forged eye fittings are available.

For wheel assembly, refer to page 400-4.

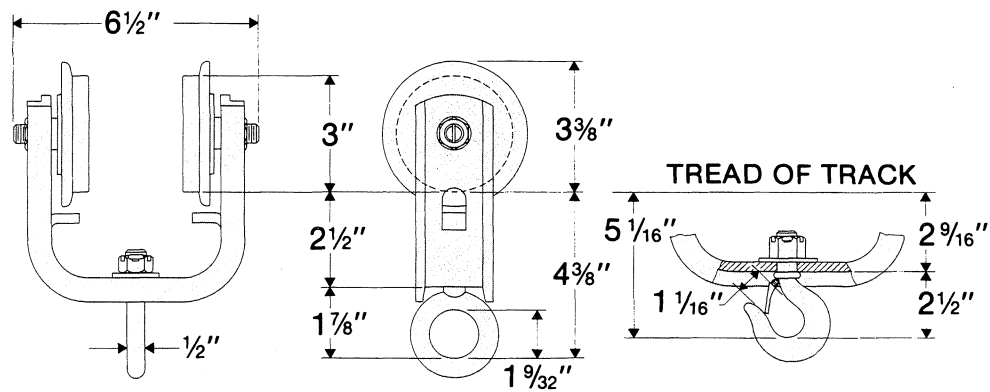
Spark-resistant bronze wheels not available.

For use in tongue switches No. 703.6330, No. 703.6333 and No. 703.6332 **only**.

Not for use with *TrojanTrack* girder.



No. 403.372E (28-0050)
with **No. 403.E6 Eye** — Wt. 5½ lbs.
No. 403.372H (30-0199)
with **403.H3 Hook** — Wt. 5½ lbs.
No. 403.372LF (28-0051)
(less Fitting) — Wt. 5 lbs.



No. 403.372E
(280050)

No. 403.372H
(30-0199)

Approximate dimensions are shown. Certified prints furnished on request.



750 lb. Capacity Four-Wheel Trolley with 28-0875 Wheel Assembly

Yokes for this assembly are formed from channel steel. Loadbars are cast malleable iron. Fittings available are forged eye or hook.

For wheel assembly, refer to page 400-4.

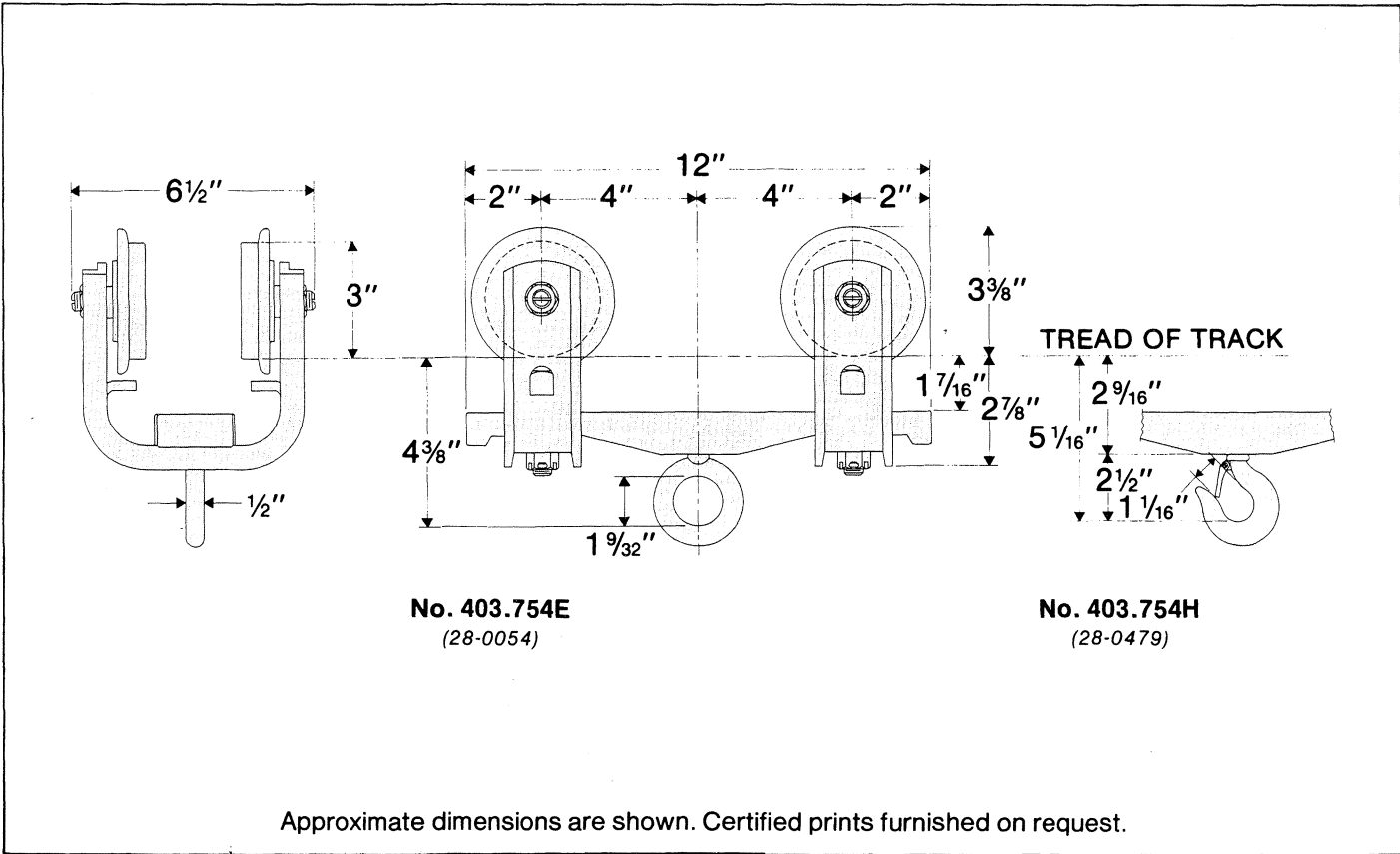
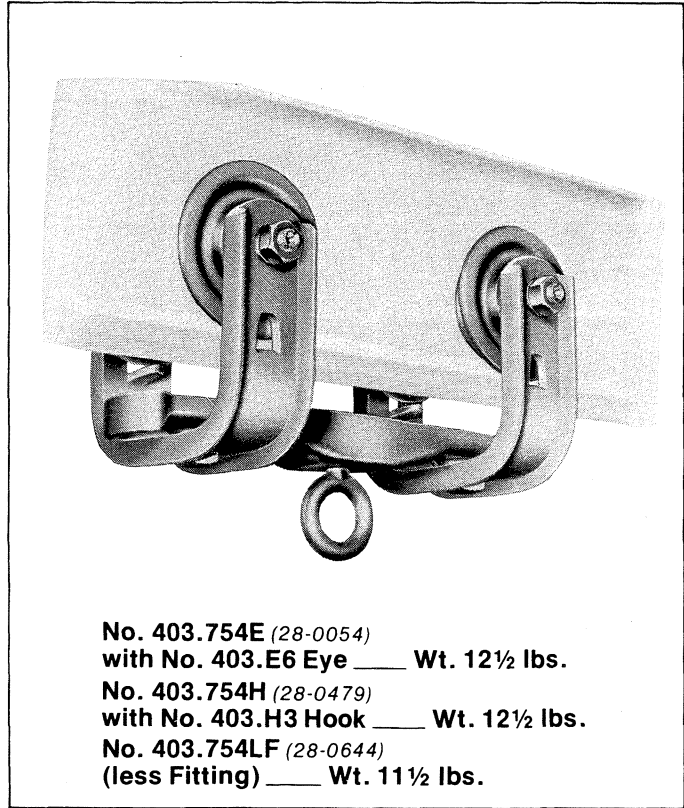
Spark-resistant bronze wheels not available.

For use in tongue switches No. 703.6330, No. 703.6333 and No. 703.6332 **only**.

Will not work on close approach end stops.

Not for use with *TrojanTrack* girder.

WARNING: Equipment described herein is not designed for and should not be used for lifting, supporting or transporting humans. Use of the equipment for this purpose can result in serious bodily injury and/or property damage.





**1500 lb. Capacity Two-Wheel Trolley with
 28-0878 Wheel Assembly**

Two-wheel trolleys are for use with special loadbars, racks, and carriers. When used as independent load bearing units, two-wheel trolleys do not provide the ease and smoothness of travel accomplished by their use in pairs, one at each end of the carrier.

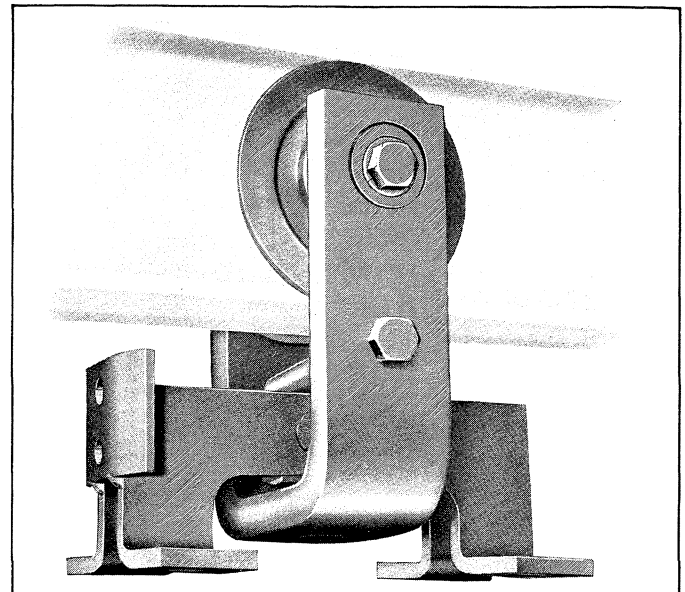
Yokes and fittings for this assembly are made of formed steel. Flush-rack and clevis-rack fittings are available.

For wheel assembly, refer to page 400-5.

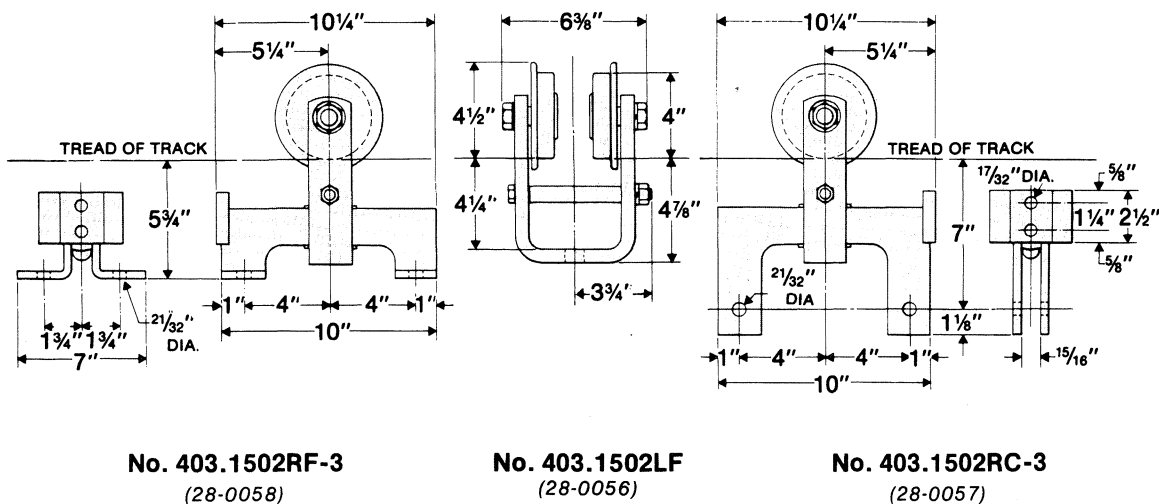
- Options: (a) spark-resistant bronze wheels
 (b) flangeless wheels; refer to trolley on page 403-12.

When used with 703.72XX track switches, additional lugs are required on the trolley yoke to contact switch baffles. Consult Factory.

WARNING: Equipment described herein is not designed for and should not be used for lifting, supporting or transporting humans. Use of the equipment for this purpose can result in serious bodily injury and/or property damage.



No. 403.1502RF-3 (28-0058)
with No. 403.RF-3 Flush Rack Fitting ____ **Wt. 21 lbs.**
No. 403.1502LF (28-0056)
(Less Fitting) ____ **Wt. 18 lbs.**
No. 403.1502RC-3 (28-0057)
with No. 403.RC-3 Clevis Rack Fitting ____ **Wt. 21 lbs.**



Approximate dimensions are shown. Certified prints furnished on request.



**LOUDEN® TROLLEYS
FOR USE WITH 3.33" FLANGE SUPERTRACK™ SYSTEMS**

403-4
Issued 9-7-01

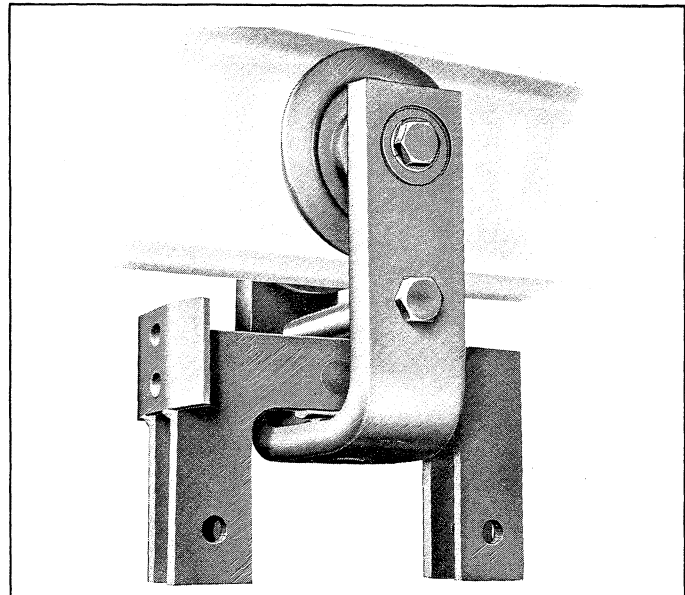
**2500 lb. Capacity Two-Wheel Trolley
with 28-0882 Wheel Assembly**

Two-wheel trolleys are for use with special loadbars, racks and carriers. When used as independent load bearing units, two-wheel trolleys do not provide the ease and smoothness of travel accomplished by their use in pairs, one at each end of the carrier.

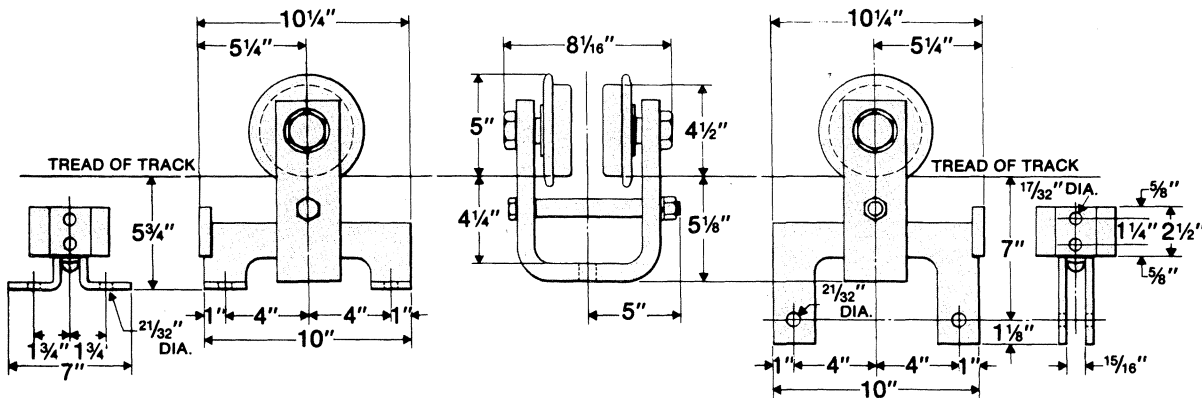
Yokes and fittings for this assembly are made of formed steel. Flush-rack and clevis-rack fittings are available.

For wheel assembly, refer to page 400-7.

Options: (a) spark-resistant bronze wheels
(b) flangeless wheels; refer to trolley on page 403-13.



**No. 403.2502RC-3 (28-0061)
with No. 403.RC-3 Clevis Rack Fitting _____ Wt. 37 lbs.**
**No. 403.2502LF (28-0059)
(Less Fitting) _____ Wt. 35 lbs.**
**No. 403.2502RF-3 (28-0060)
with No. 403.RF-3 Flush Rack Fitting _____ Wt. 37 lbs.**



No. 403.2502RF-3
(28-0060)

No. 403.2502LF
(28-0059)

No. 403.2502RC-3
(28-0061)

Approximate dimensions are shown. Certified prints furnished on request.



ACCO Material Handling Solutions
76 Acco Drive, Box 792, York, PA 17405-0792
717-741-4863, 800-967-7333, FAX 800-715-8897
E-mail: info@accomhs.com www.accomhs.com

© 2007 FKI Industries Inc.
Printed In USA



**LOUDEN® TROLLEYS
FOR USE WITH 3.33" FLANGE SUPERTRACK™ SYSTEMS**

403-5
Issued 9-7-01

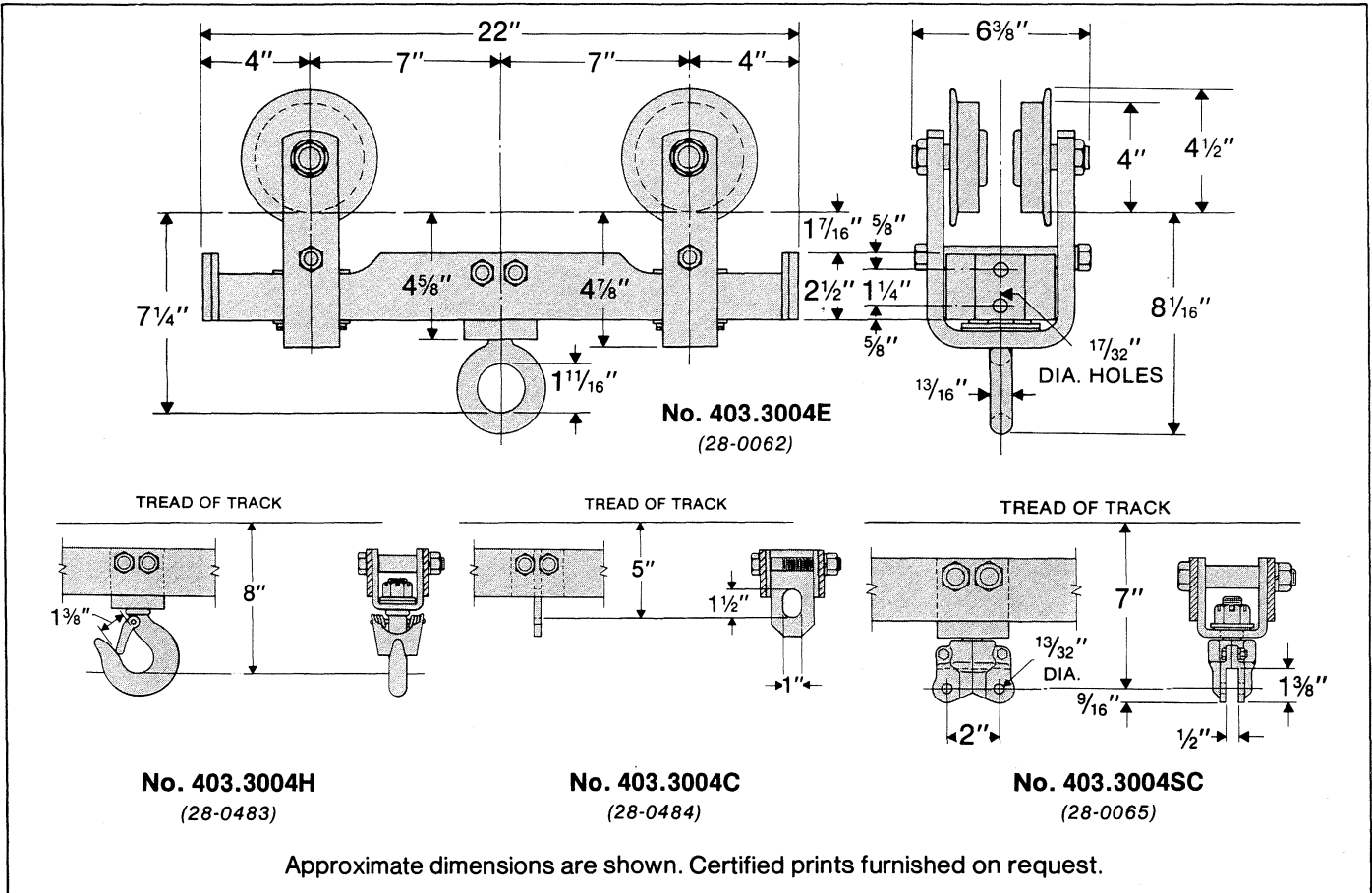
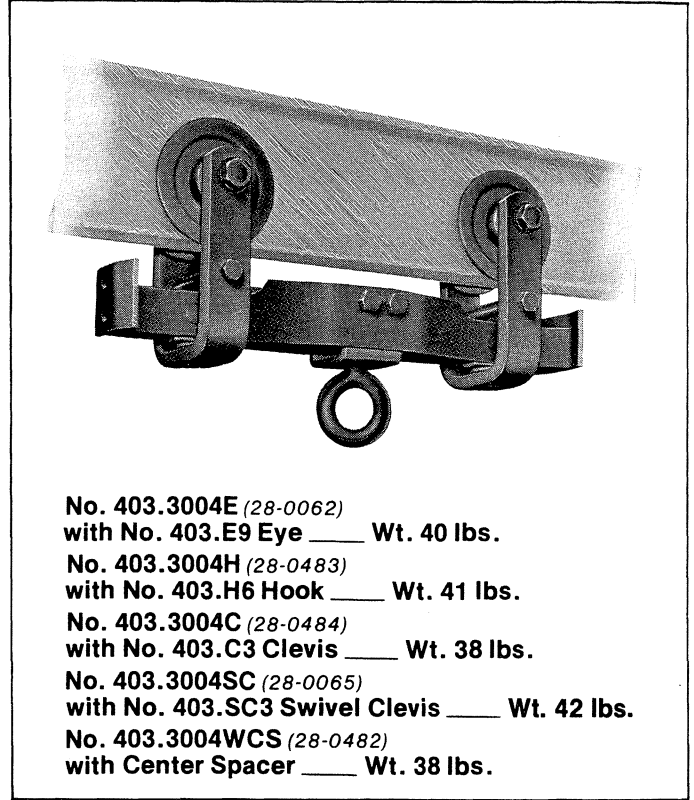
**3000 lb. Capacity Four-Wheel Trolley
with 28-0878 Wheel Assembly**

Yokes and loadbars for this assembly are made of formed steel. Fittings available are forged eye, hook, fabricated steel clevis, or two-piece malleable iron swivel clevis.

For wheel assembly, refer to page 400-5.

Options: (a) spark-resistant bronze wheels
(b) flangeless wheels; refer to trolley on page 403-12.

When used with 703.72XX track switches, additional lugs are required on the trolley yoke to contact switch baffles. Consult Factory.





LOUDEN® TROLLEYS
FOR USE WITH 3.33" FLANGE SUPERTRACK™ SYSTEMS

403-6
 Issued 9-7-01

3000 lb. Capacity Four-Wheel Trolley with 28-0878 Wheel Assembly

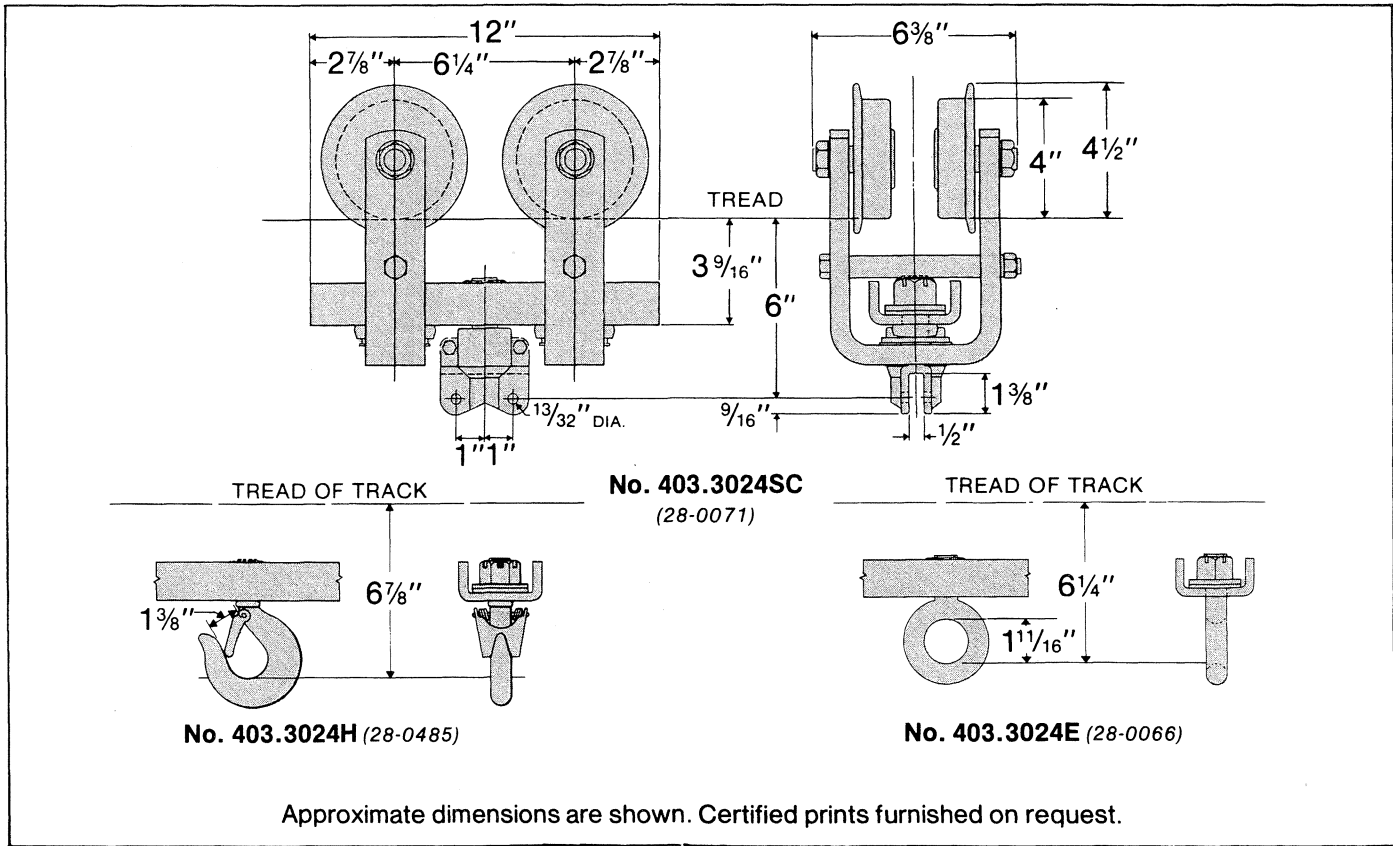
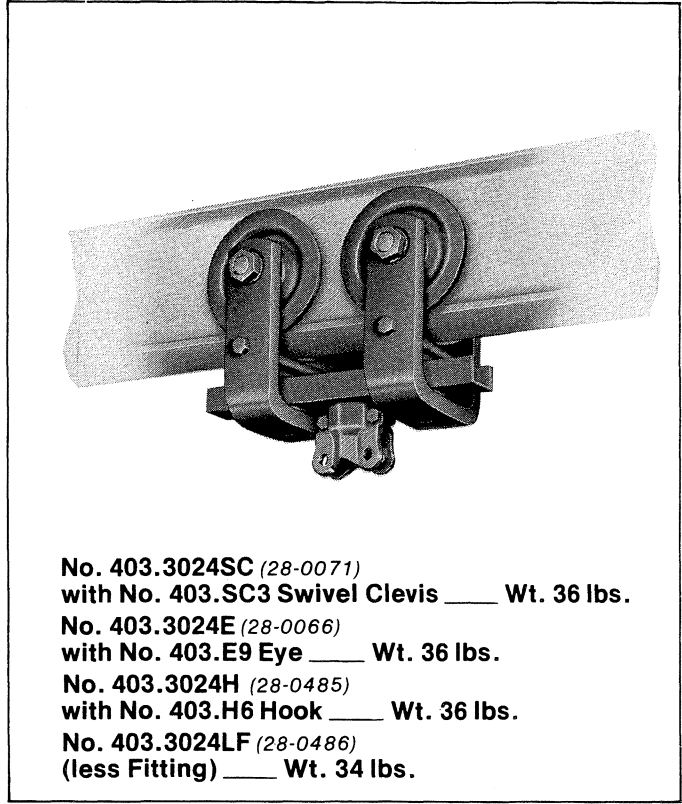
Yokes and loadbars for this trolley are made from formed steel. Fittings available are forged eye, hook, or two-piece malleable iron swivel clevis.

Yokes with guide rollers cannot be used on this trolley.

For wheel assembly, refer to page 400-5.

Options: (a) spark-resistant bronze wheels.

When used with 703.72XX track switches, additional lugs are required on the trolley yoke to contact switch baffles. Consult Factory.



ACCO Material Handling Solutions
 76 Acco Drive, Box 792, York, PA 17405-0792
 717-741-4863, 800-967-7333, FAX 800-715-8897
 E-mail: info@accomhs.com www.accomhs.com

© 2007 FKI Industries Inc.
 Printed In USA



LOUDEN® TROLLEYS
FOR USE WITH 3.33" FLANGE SUPERTRACK™ SYSTEMS

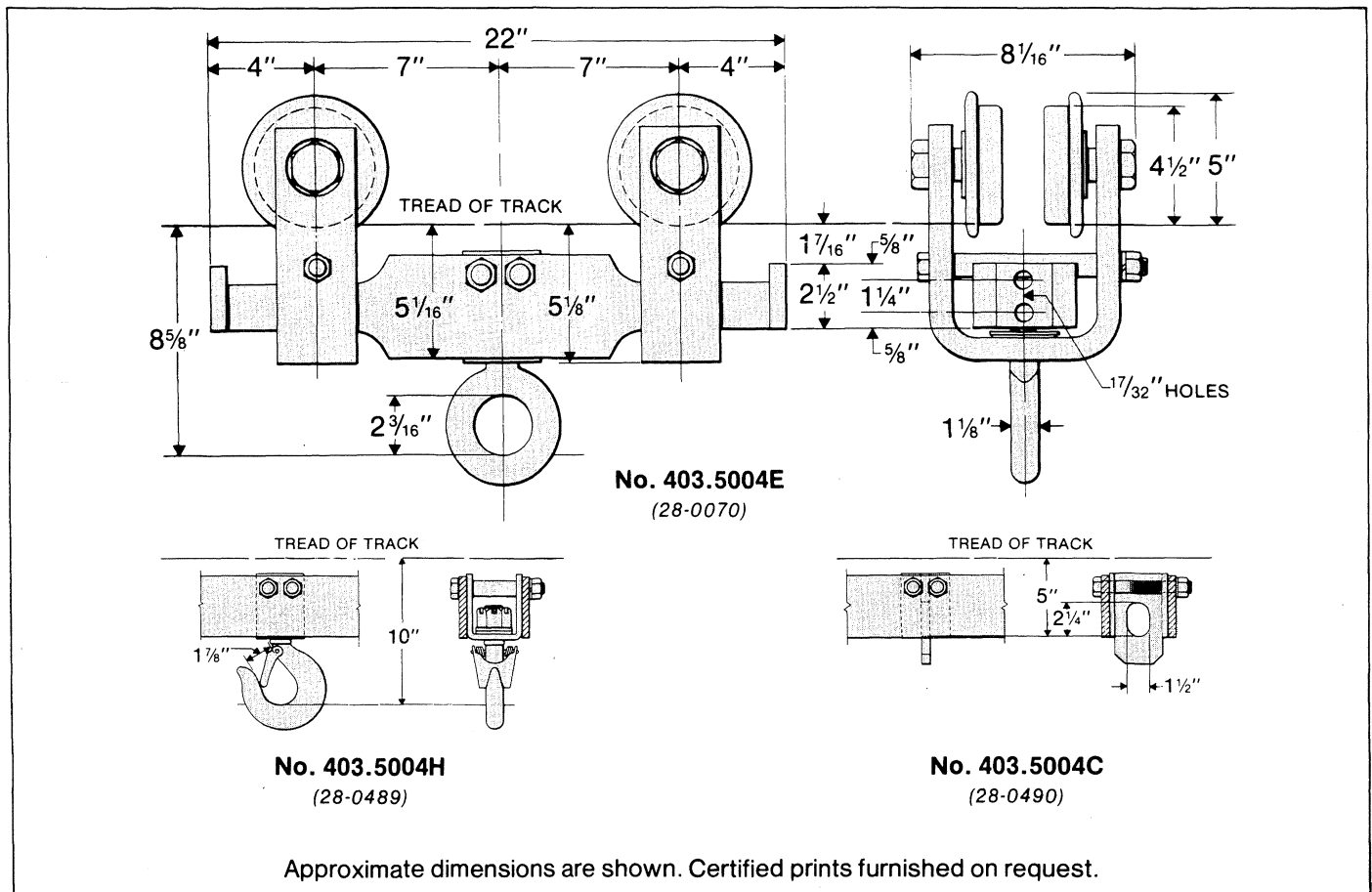
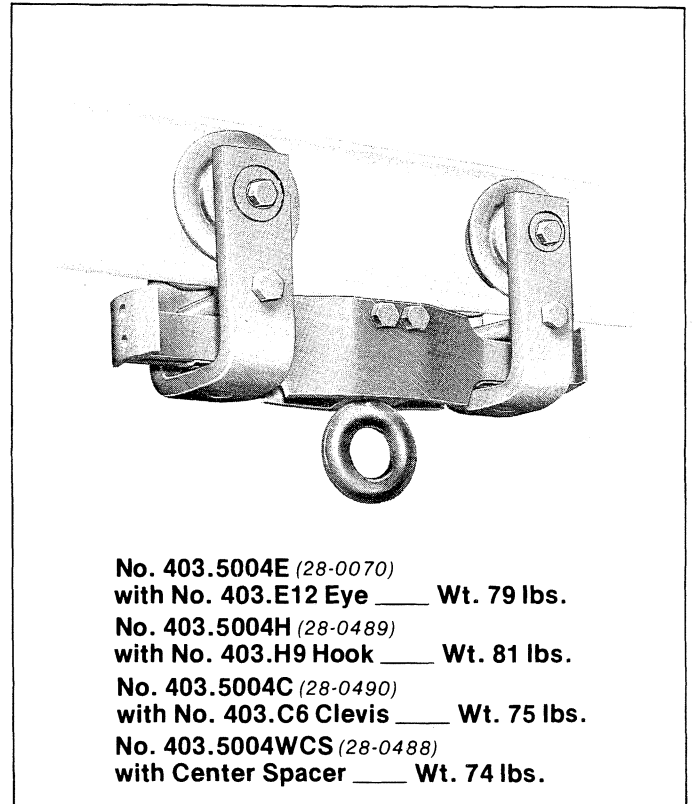
403-7
Issued 9-7-01

**5000 lb. Capacity Four-Wheel Trolley
with 28-0882 Wheel Assembly**

Yokes and loadbar for this trolley are made from formed steel. Fittings available are forged eye, hook or fabricated steel clevis.

For wheel assembly, refer to page 400-7.

- Options: (a) spark-resistant bronze wheels
(b) flangeless wheels; refer to trolley on page 403-13.





LOUDEN® TROLLEYS
FOR USE WITH 3.33" FLANGE SUPERTRACK™ SYSTEMS

403-8
 Issued 9-7-01

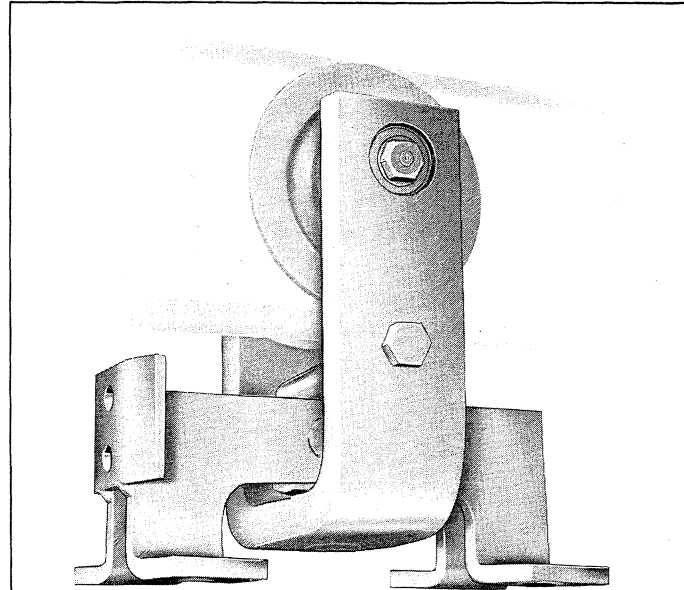
5000 lb. Capacity Two-Wheel Trolley with 28-0593 (PF-4370) Wheel Assembly

Two-wheel trolleys are for use with special loadbars, racks and carriers. When used as independent load bearing units, two-wheel trolleys do not provide the ease and smoothness of travel accomplished by their use in pairs, one at each end of the carrier.

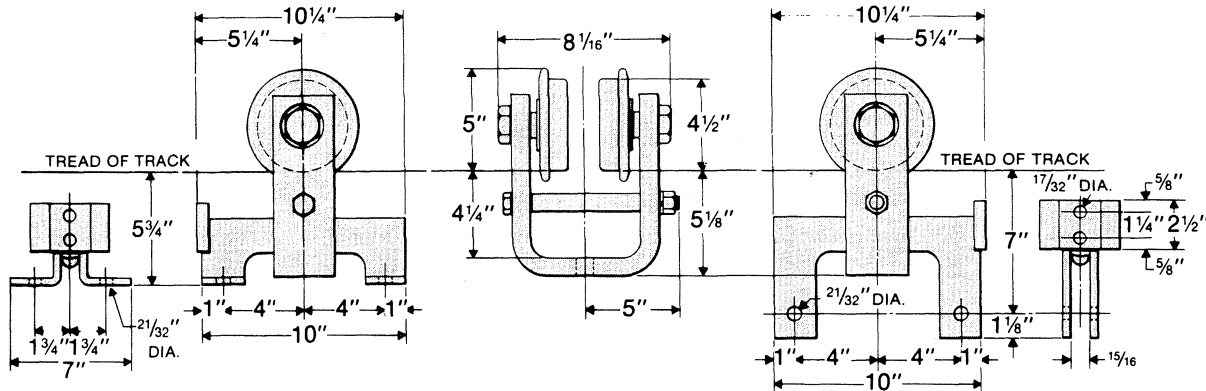
Yokes and fittings are made from formed steel. Flush-rack and clevis-rack fittings are available.

For wheel assembly, refer to page 400-9.

- Options: (a) spark-resistant bronze wheels.
- (b) flangeless wheels; refer to trolley on page 403-14.



No. 403.5002RF-5 (28-0068)
with No. 403.RF-5 Flush Rack Fitting _____ Wt. 37 lbs.
No. 403.5002LF (28-0067)
(Less Fitting) _____ Wt. 35 lbs.
No. 403.5002RC-5 (28-0069)
with No. 403.RC-5 Clevis Rack Fitting _____ Wt. 37 lbs.



No. 403.5002RF-5
 (28-0068)

No. 403.5002LF
 (28-0067)

No. 403.5002RC-5
 (28-0069)

Approximate dimensions are shown. Certified prints furnished on request.



ACCO Material Handling Solutions
 76 Acco Drive, Box 792, York, PA 17405-0792
 717-741-4863, 800-967-7333, FAX 800-715-8897
 E-mail: info@accomhs.com www.accomhs.com



**LOUDEN® TROLLEYS
FOR USE WITH 3.33" FLANGE SUPERTRACK™ SYSTEMS**

403-9
Issued 9-7-01

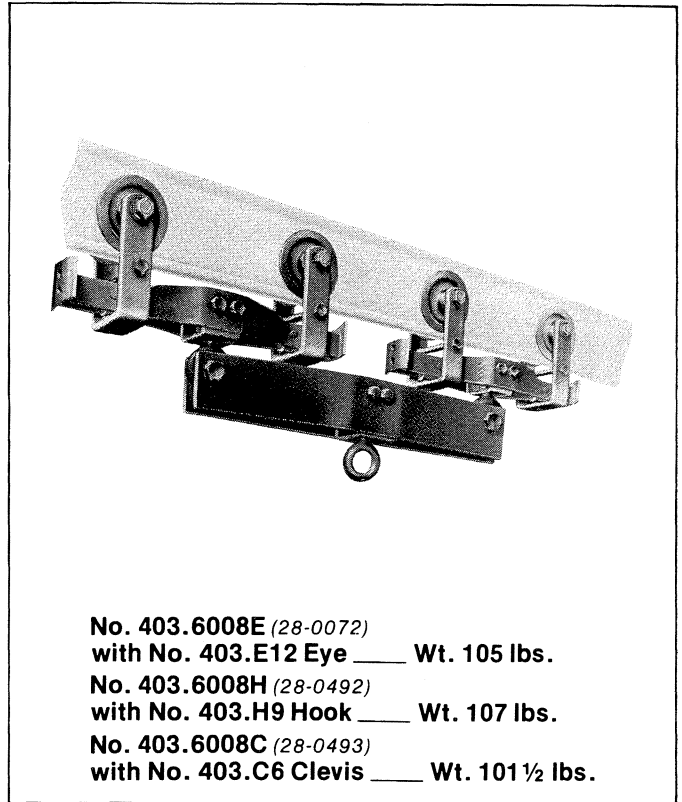
**6000 lb. Capacity Eight-Wheel Trolley
with 28-0878 Wheel Assembly**

Yokes, loadbar and connecting bar for this assembly are made from formed steel. Fittings available are drop forged eye, hook or fabricated steel clevis.

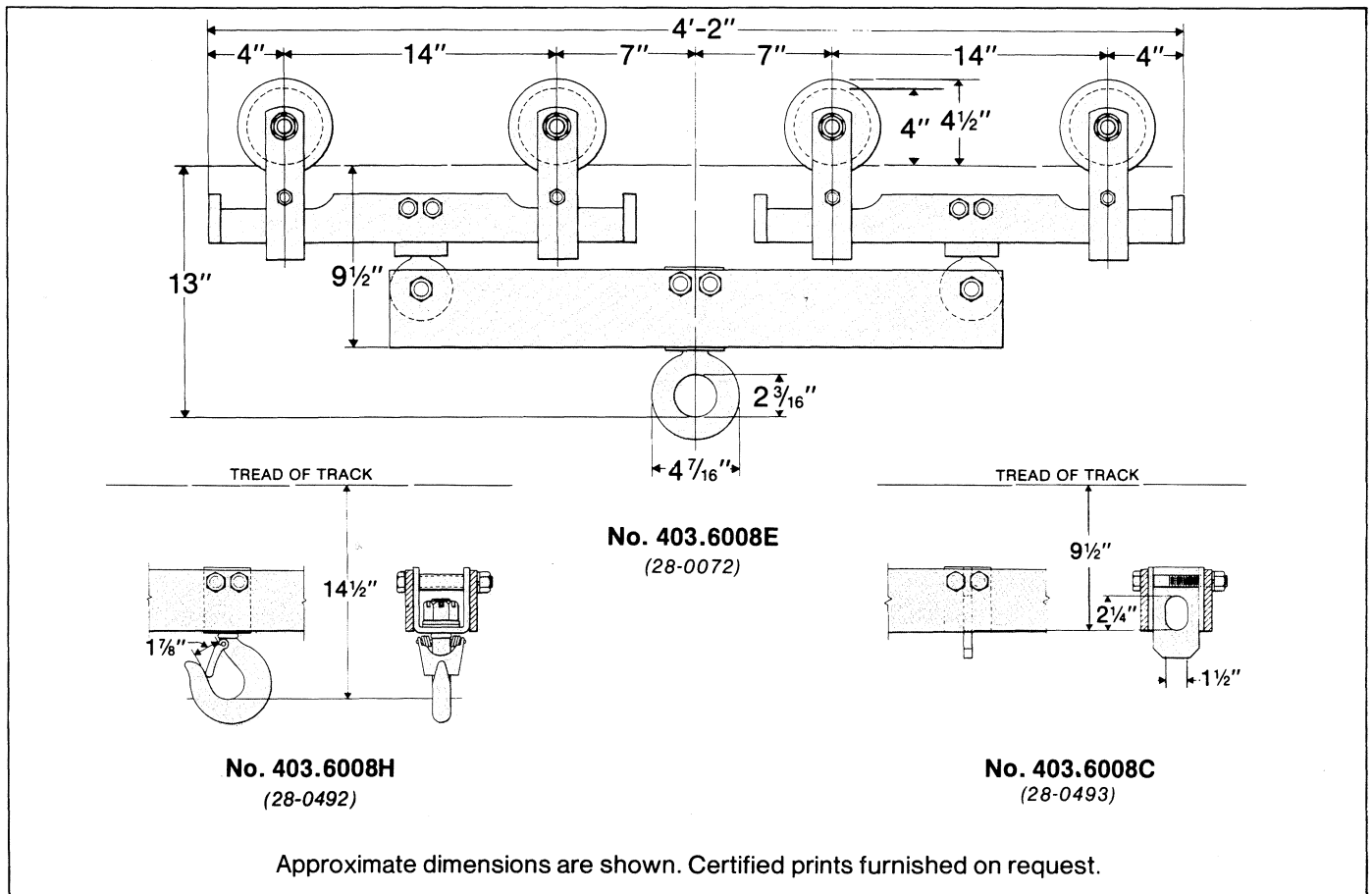
For wheel assembly, refer to page 400-5.

Options: (a) spark-resistant bronze wheels
(b) flangeless wheels; refer to trolley on page 403-12.

When used with 703.72XX track switches, additional lugs are required on the trolley yoke to contact switch baffles. Consult Factory.



WARNING: Equipment described herein is not designed for and should not be used for lifting, supporting or transporting humans. Use of the equipment for this purpose can result in serious bodily injury and/or property damage.





LOUDEN® TROLLEYS
FOR USE WITH 3.33" FLANGE SUPERTRACK™ SYSTEMS

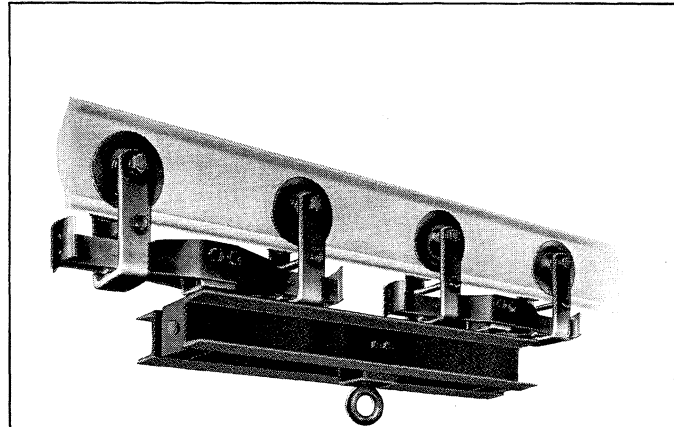
403-10
 Issued 9-7-01

10000 lb. Capacity Eight-Wheel Trolley with 28-0882 Wheel Assembly

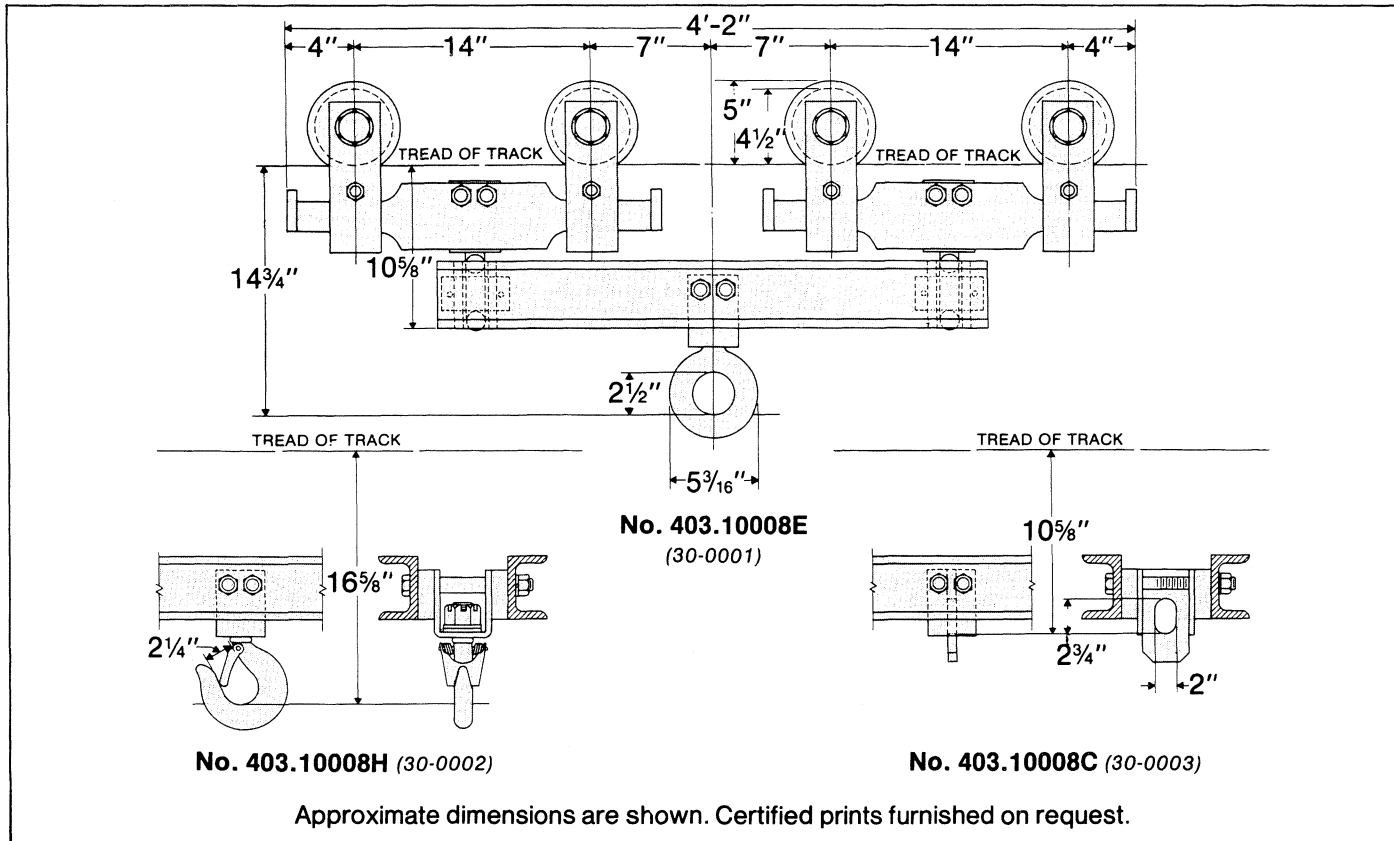
Yokes, loadbars and connecting bar for this trolley are made from formed and rolled steel. Fittings available are drop forged eye, hook or fabricated steel clevis.

For wheel assembly refer to page 400-7.

Options: (a) spark-resistant bronze wheels.
 (b) flangeless wheels; refer to trolley on page 403-13.



- No. 403.10008E** (30-0001)
with No. 403.E14 Eye ____ Wt. 210 lbs.
- No. 403.10008H** (30-0002)
with No. 403.H11 Hook ____ Wt. 215 lbs.
- No. 403.10008C** (30-0003)
with No. 403.C10 Clevis ____ Wt. 209 lbs.
- No. 403.10008WCS** (30-0174)
with Center Spacer ____ Wt. 202 lbs.





LOUDEN[®] TROLLEYS
FOR USE WITH 3.33" FLANGE SUPERTRACK™ SYSTEMS

403-11
Issued 9-7-01

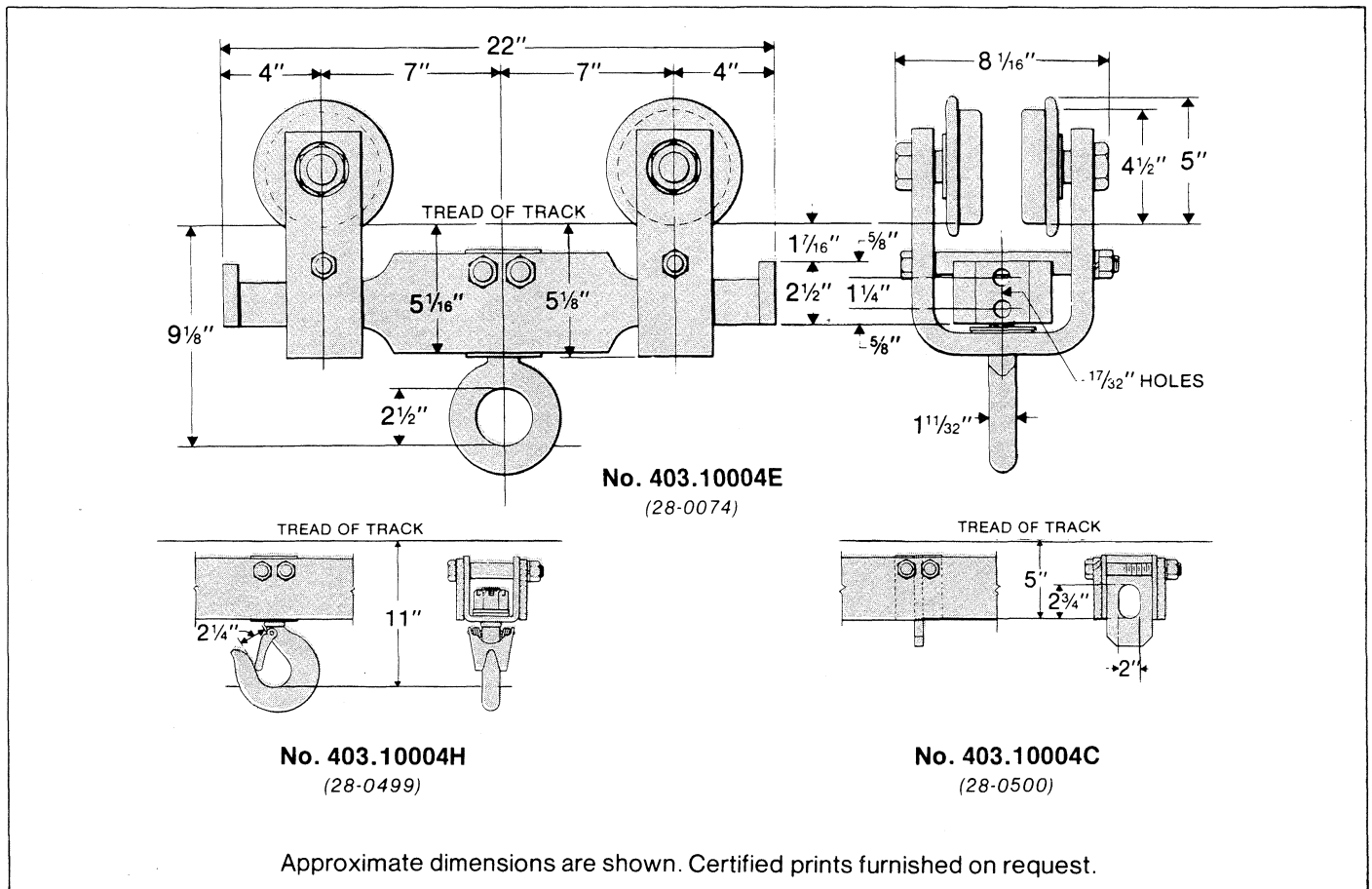
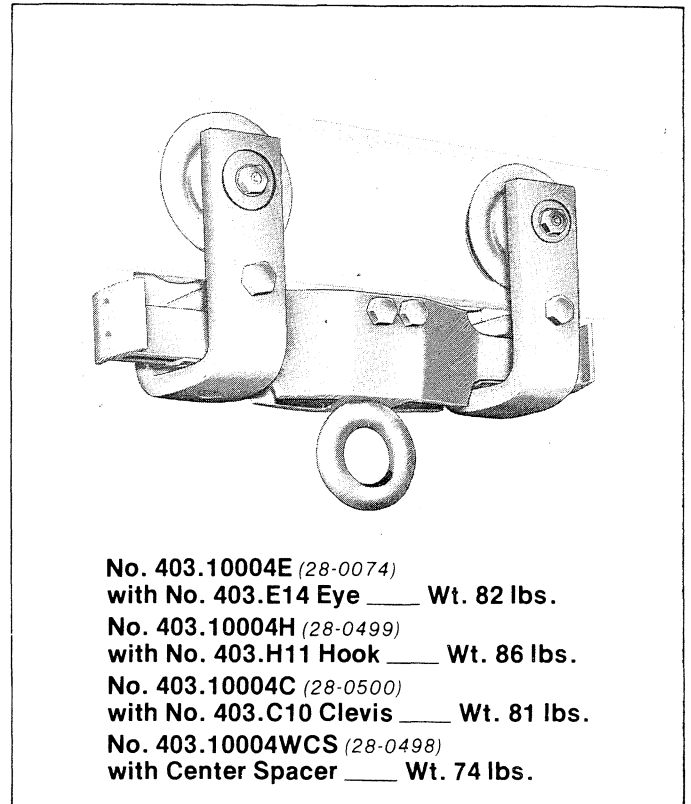
10000 lb. Capacity Four-Wheel Trolley
with 28-0593 (PF4370) Wheel Assembly

Yokes and loadbars for this trolley are made from formed steel. Fittings available are drop forged eye, hook, or fabricated steel clevis.

For wheel assembly, refer to page 400-9.

Bronze wheels are optionally available for this trolley assembly.

Options: (a) spark-resistant bronze wheels.
(b) flangeless wheels; refer to trolley on page 403-14.





LOUDEN® TROLLEYS
FOR USE WITH 3.33" FLANGE SUPERTRACK™ SYSTEMS

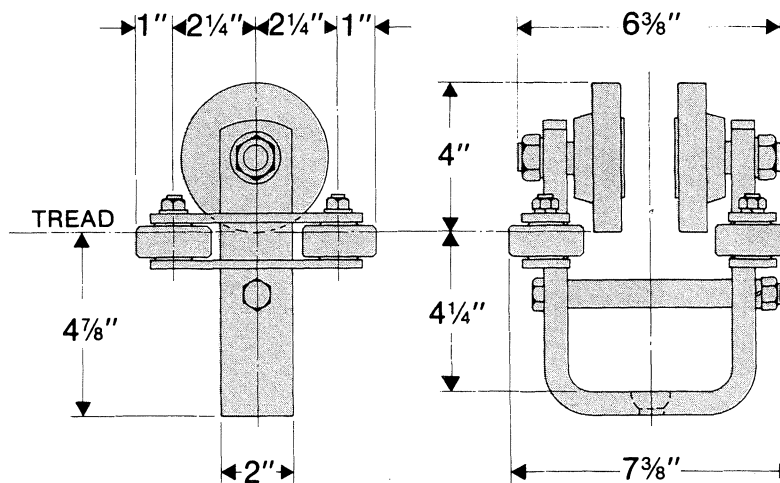
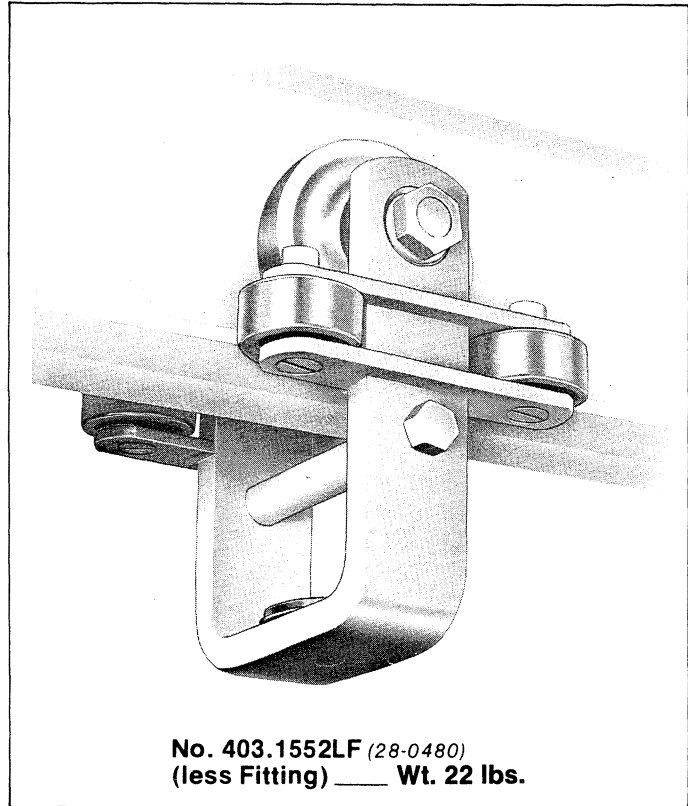
403-12
Issued 9-7-01

1500 lb. Capacity Two-Wheel Trolley
with 28-0879 Flangeless Wheel Assembly
and Guide Rollers

This trolley can be substituted for the standard trolleys illustrated on pages 3, 5, and 9 of this 403 section. It is also available as an alternate for trolleys of this capacity on crane trucks, hoist trolleys and special carriers.

Yokes for this assembly are formed steel with welded steel roller brackets. Guide rollers have single row, pre-lubricated and permanently sealed anti-friction bearings, with heavy wall, hardened outer race.

For wheel assembly, refer to page 400-6.



No. 403.1552LF (28-0480)

Approximate dimensions are shown. Certified prints furnished on request.



ACCO Material Handling Solutions
76 Acco Drive, Box 792, York, PA 17405-0792
717-741-4863, 800-967-7333, FAX 800-715-8897
E-mail: info@accomhs.com www.accomhs.com

© 2007 FKI Industries Inc.
Printed In USA



**LOUDEN® TROLLEYS
FOR USE WITH 3.33" FLANGE SUPERTRACK™ SYSTEMS**

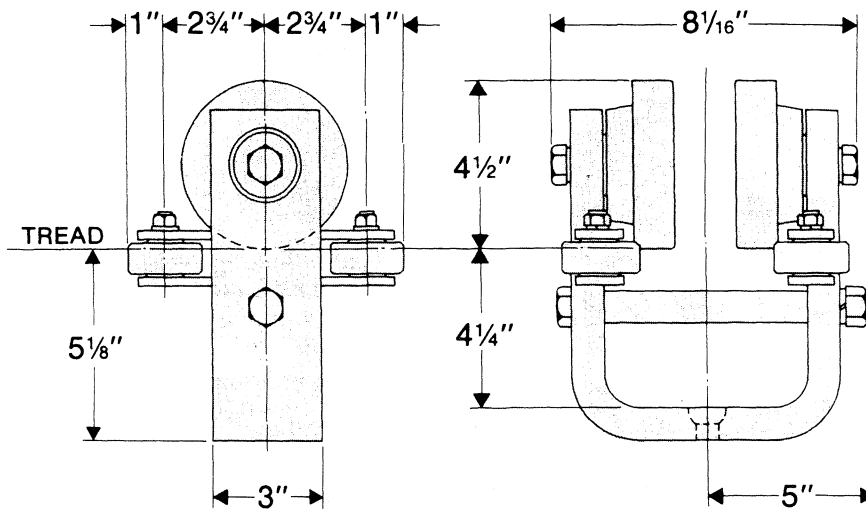
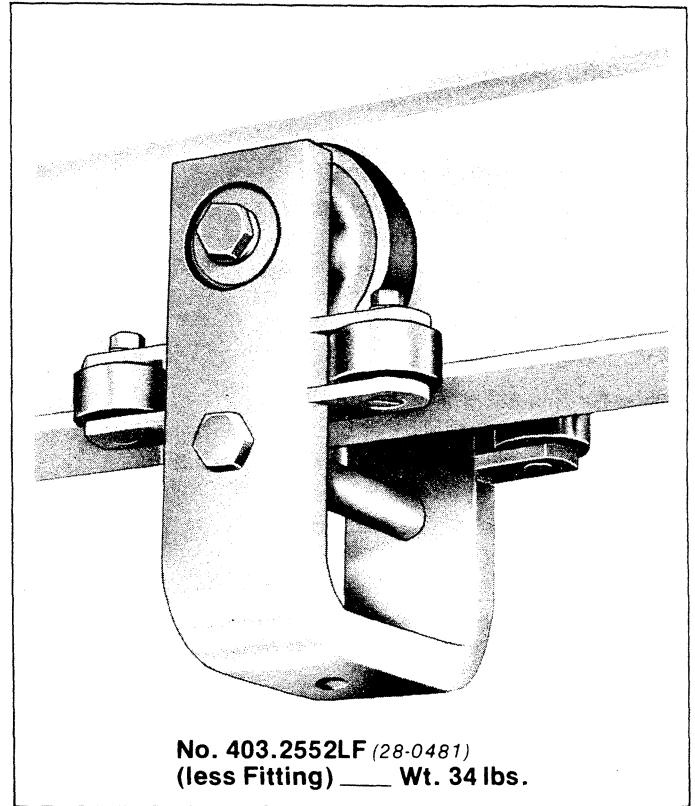
403-13
Issued 9-7-01

**2500 lb. Capacity Two-Wheel Trolley
with 28-0881 Flangeless Wheel
Assembly and Guide Rollers**

This trolley can be substituted for the standard trolleys illustrated on pages 4, 7, and 10 of this 403 section. It is also available as an alternate for trolleys of this capacity on crane trucks, hoist trolleys and special carriers.

Yokes for this assembly are formed steel with welded steel roller bracket. Guide rollers have single row, pre-lubricated and permanently sealed anti-friction bearings, with heavy wall, hardened outer race.

For wheel assembly, refer to page 400-8.



**No. 403.2552LF
(28-0481)**

Approximate dimensions are shown. Certified prints furnished on request.



LOUDEN® TROLLEYS
FOR USE WITH 3.33" FLANGE SUPERTRACK™ SYSTEMS

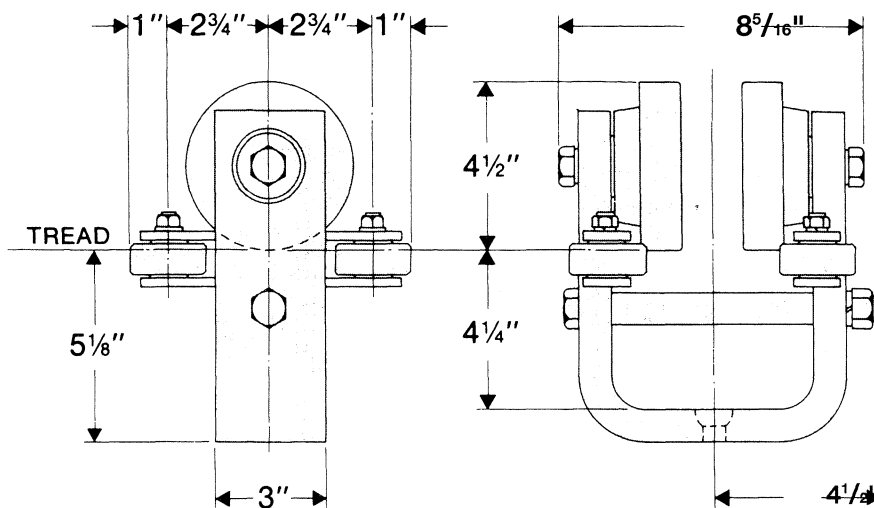
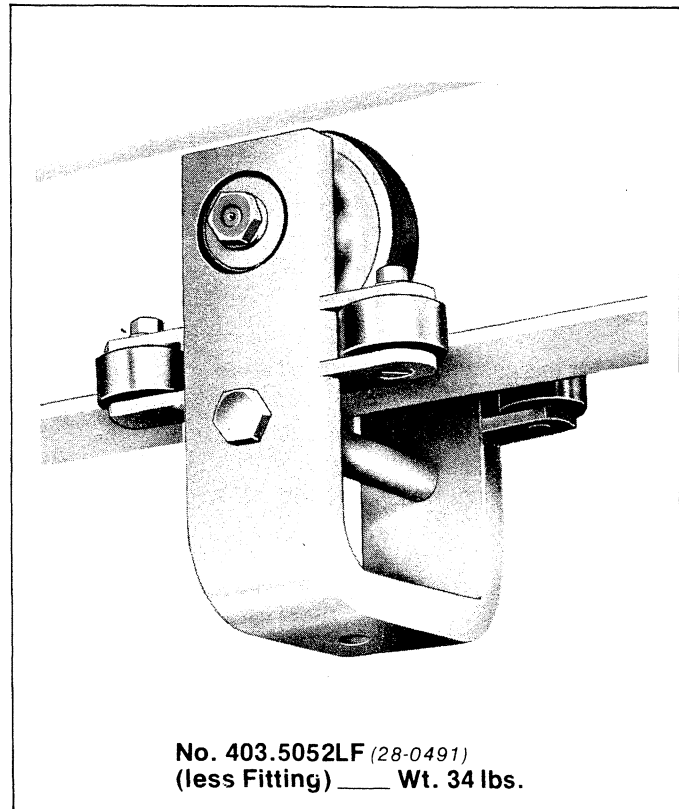
403-14
 Issued 9-7-01

5000 lb. Capacity Two-Wheel Trolley
with 28-0595 (PF-4377) Flangeless Wheel
Assembly and Guide Rollers

This trolley can be substituted for the standard trolleys illustrated on pages 8 and 11 of this 403 section. It is also available as an alternate for trolleys of this capacity on crane trucks, hoist trolleys, special carriers and Model 3HL *MotoVeyor*® drive units.

Yokes for this assembly are formed steel with welded steel roller bracket. Guide rollers have single row, pre-lubricated and permanently sealed anti-friction bearings, with heavy wall, hardened outer race.

For wheel assembly, refer to page 400-10.



No. 403.5052LF
 (28-0491)

Approximate dimensions are shown. Certified prints furnished on request.



ACCO Material Handling Solutions
 76 Acco Drive, Box 792, York, PA 17405-0792
 717-741-4863, 800-967-7333, FAX 800-715-8897
 E-mail: info@accomhs.com www.accomhs.com

© 2007 FKI Industries Inc.
 Printed In USA

LOUDEN[®]
TROLLEYS
FOR USE WITH 3.33" FLANGE
TROJANTRACK™ SYSTEMS
FEATURES AND BENEFITS

FEATURES

Trolley yokes are made of structural steel bars precision machined by automatic N.C. machines.

High capacity tapered roller bearings mating wheel with high strength axle.

Utilizes flat tread wheels turned from forged steel blanks with induction hardened tread and flanges. Has a minimum hardness of 425 Brinnell.

Rugged high capacity 9" diameter wheels.

Flangeless wheels with guide rollers are standard.

Articulating trolleys and loadbar.

Bolt-together construction with steel plate yoke spacer.

Trolleys equipped with external grease fittings.

Standard engineered load fittings available.

BENEFITS

Structural and dimensional integrity, resulting in a consistently high quality component.

Easy horizontal movement of trolley along track, adds longevity to components.

Long wearing tread and flange for exceptionally long service, life, with minimum rolling friction.

Large diameter offers easy rolling while carrying high capacity loads. Two-wheel trolley capacities from 7,500 lbs. to four-wheel trolley capacities of 20,000 lbs.

Practically eliminates wear on side of track flange, yet smoothly guides trolley through curves and switches.

Anti-friction thrust bearings and Neoprene shock absorbers equalize the load to both sides of rail, minimizing unit stresses, resulting in longer life of track.

Contains loadbar in trolley and is easily removed thereby simplifying erection of the system.

Enables refreshing lubricant to be added as required on systems with severe duty cycle.

Two-wheel trolleys are available with either clevis rack or flush rack fittings; four-wheel trolleys are available with swiveling forged eye, offering a wide range of attachments for load.



**LOUDEN® TROLLEYS
FOR USE WITH 3.33" FLANGE TROJANTRACK™ SYSTEMS**

403T-15
Issued 9-7-01

**1500 lb. Capacity Two-Wheel Trolley
with 28-0878 Wheel Assembly**

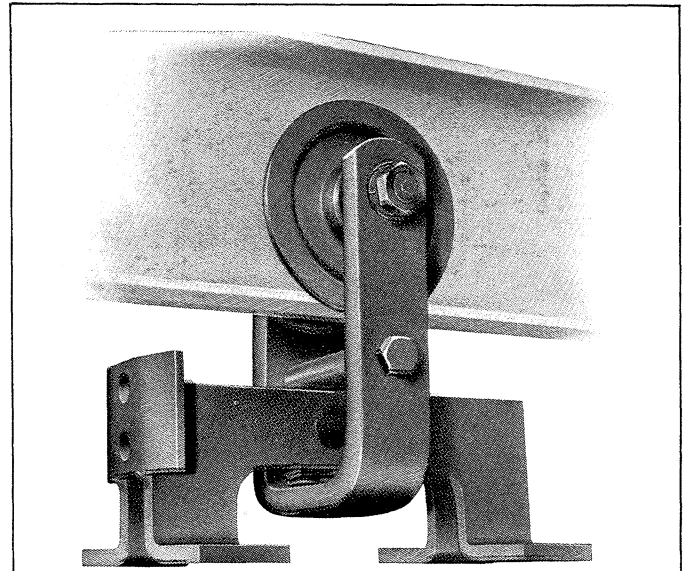
Two-wheel trolleys are for use with special loadbars, racks and carriers. When used as independent load bearing units, two-wheel trolleys do not provide the ease and smoothness of travel accomplished by their use in pairs, one at each end of the carrier.

Yokes and fittings for this assembly are made of formed steel. Flush-rack and clevis-rack fittings are available.

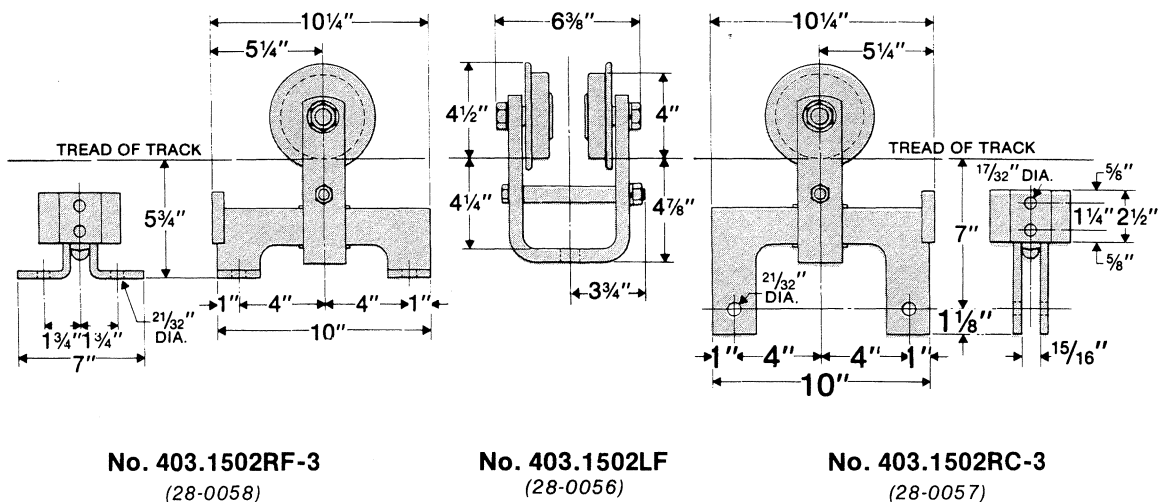
For wheel assembly, refer to page 400-5.

- Options: (a) spark-resistant bronze wheels.
(b) flangeless wheels; refer to trolley on page 403T-24.

When used with 703.72XX track switches, additional lugs are required on the trolley yoke to contact switch baffles. Consult Factory.



- No. 403.1502RF-3** (28-0058)
with **No. 403.RF-3 Flush Rack Fitting** ___ Wt. 21 lbs.
No. 403.1502LF (28-0056)
(Less Fitting) ___ Wt. 18 lbs.
No. 403.1502RC-3 (28-0057)
with **No. 403.RC-3 Clevis Rack Fitting** ___ Wt. 21 lbs.



Approximate dimensions are shown. Certified prints furnished on request.



**LOUDEN[®]TROLLEYS
FOR USE WITH 3.33" FLANGE TROJANTRACK[™] SYSTEMS**

403T-16
Issued 9-7-01

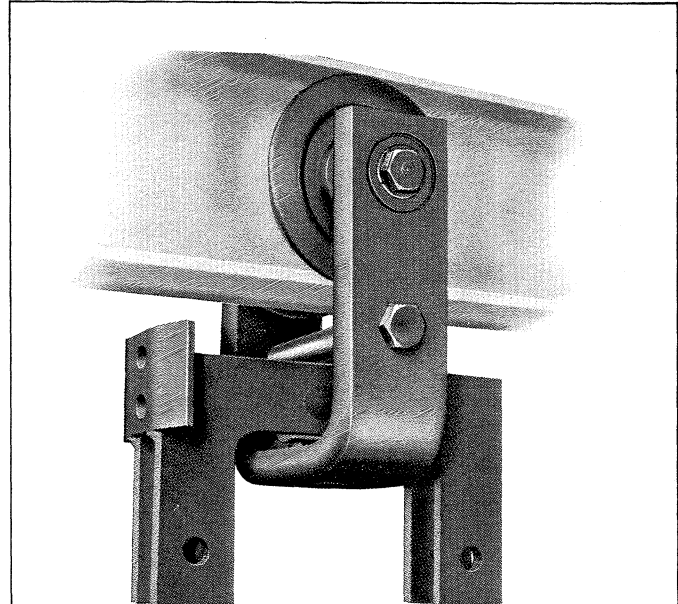
**2500 lb. Capacity Two-Wheel Trolley
with 28-0882 Wheel Assembly**

Two-wheel trolleys are for use with special loadbars, racks and carriers. When used as independent load bearing units, two-wheel trolleys do not provide the ease and smoothness of travel accomplished by their use in pairs, one at each end of the carrier.

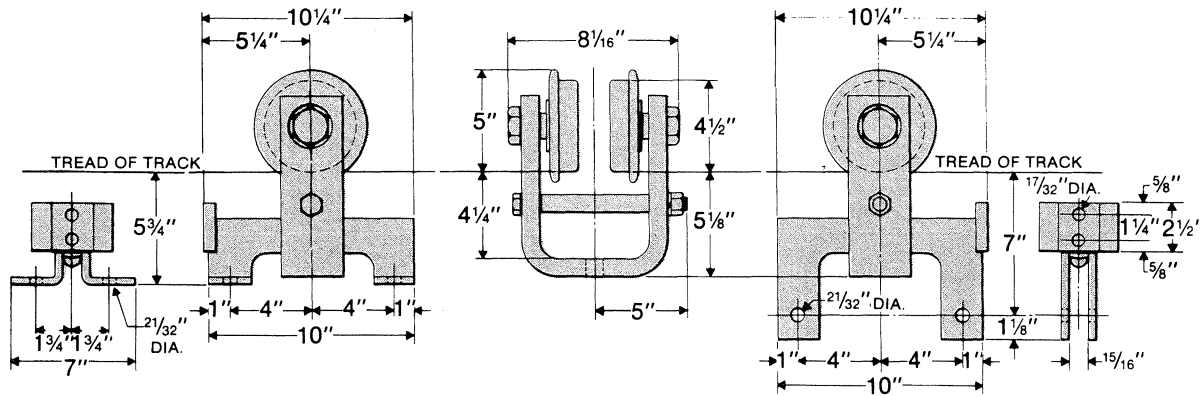
Yokes and fittings for this assembly are made of formed steel. Flush-rack and clevis-rack fittings are available.

For wheel assembly, refer to page 400-7.

- Options: (a) spark-resistant bronze wheels.
(b) flangeless wheels; refer to trolley on page 403T-25.



No. 403.2502RC-3 (28-0061)
with No. 403.RC-3 Clevis Rack Fitting ____ Wt. 37 lbs.
No. 403.2502LF (28-0059)
(Less Fitting) ____ Wt. 35 lbs.
No. 403.2502RF-3 (28-0060)
with No. 403.RF-3 Flush Rack Fitting ____ Wt. 37 lbs.



No. 403.2502RF-3
(28-0060)

No. 403.2502LF
(28-0059)

No. 403.2502RC-3
(28-0061)

Approximate dimensions are shown. Certified prints furnished on request.



ACCO Material Handling Solutions
76 Acco Drive, Box 792, York, PA 17405-0792
717-741-4863, 800-967-7333, FAX 800-715-8897
E-mail: info@accomhs.com www.accomhs.com

© 2007 FKI Industries Inc.
Printed In USA



**LOUDEN® TROLLEYS
FOR USE WITH 3.33" FLANGE TROJANTRACK™ SYSTEMS**

403T-17
Issued 9-7-01

**3000 lb. Capacity Four-Wheel Trolley
with 28-0878 Wheel Assembly**

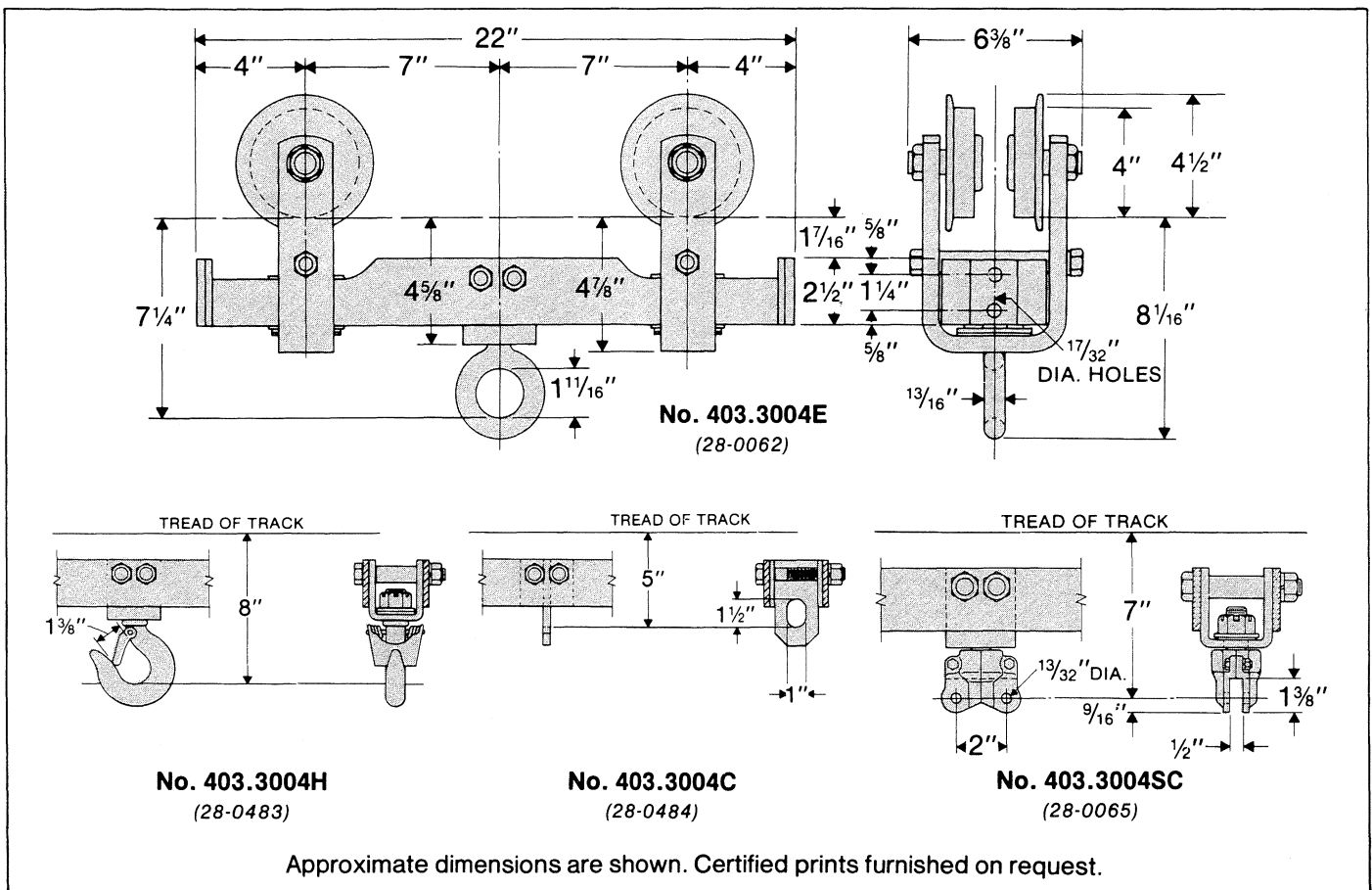
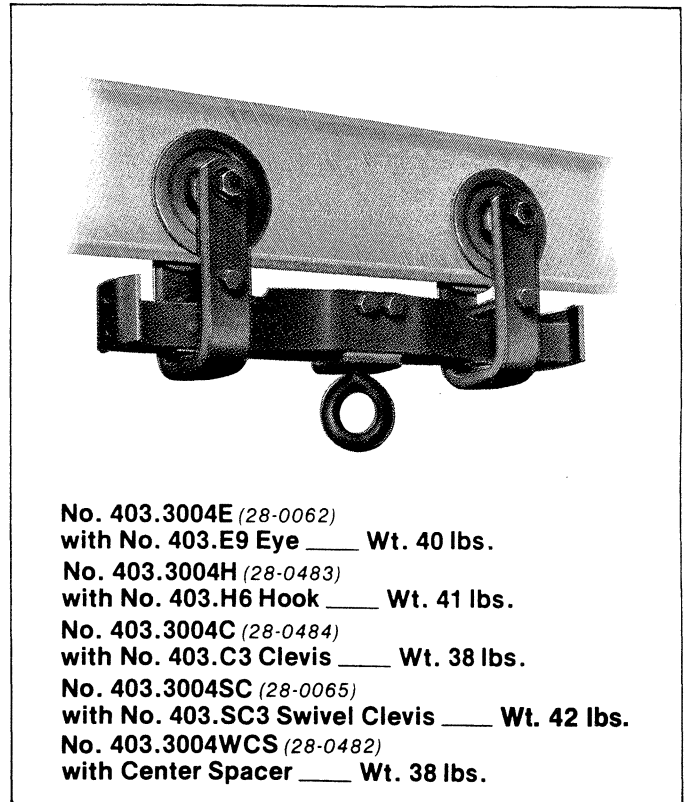
Yokes and loadbars for this assembly are made of formed steel. Fittings available are drop forged eye, hook, fabricated steel clevis, or two-piece malleable iron swivel clevis.

For wheel assembly, refer to page 400-5.

Bronze wheels are optionally available for this trolley assembly.

Options: (a) spark-resistant bronze wheels.
(b) flangeless wheels; refer to trolley on page 403T-24.

When used with 703.72XX track switches, additional lugs are required on the trolley yoke to contact switch baffles. Consult Factory.





LOUDEN® TROLLEYS
FOR USE WITH 3.33" FLANGE TROJANTRACK™ SYSTEMS

403T-18
 Issued 9-7-01

3000 lb. Capacity Four-Wheel Trolley with 28-0878 Wheel Assembly

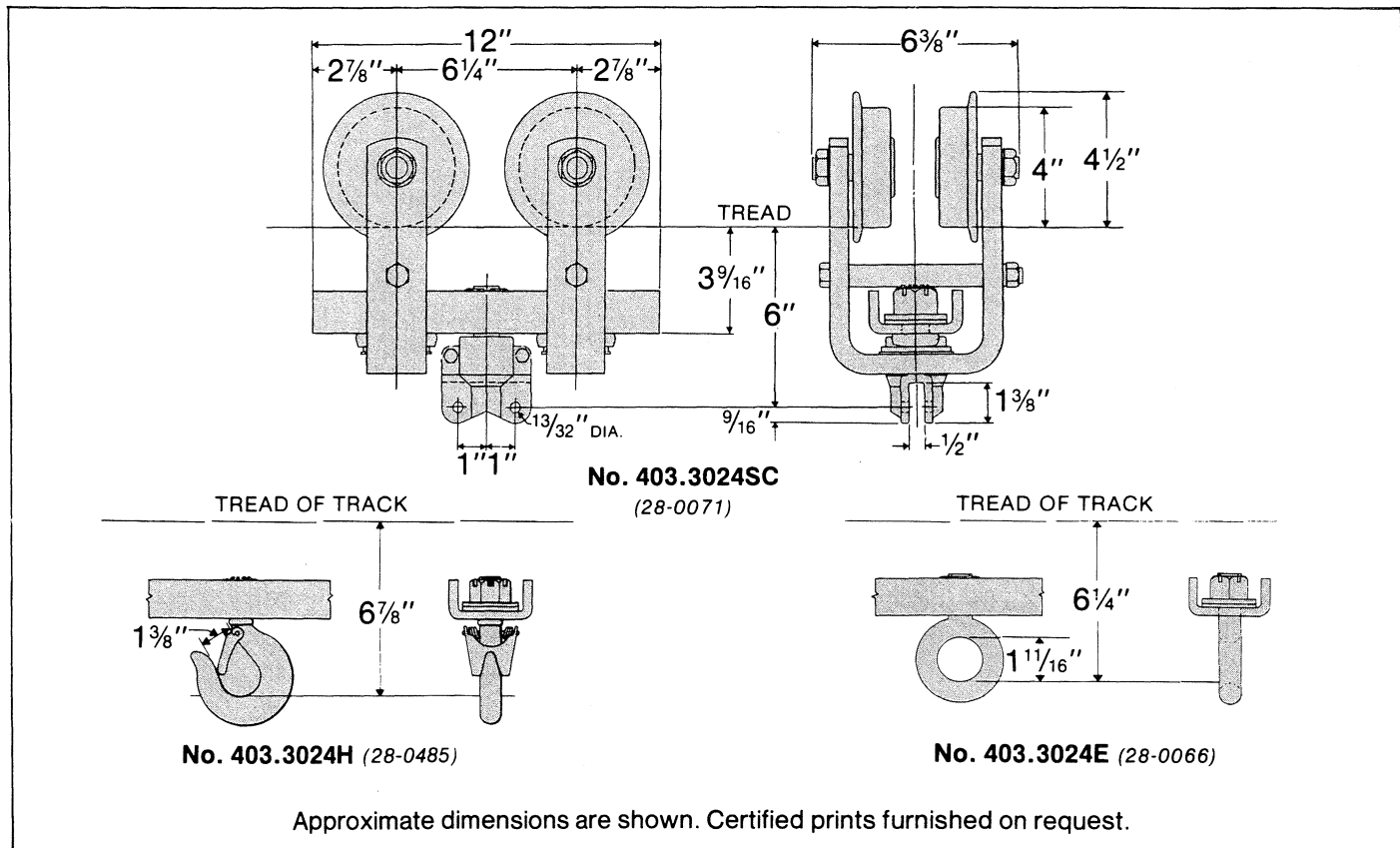
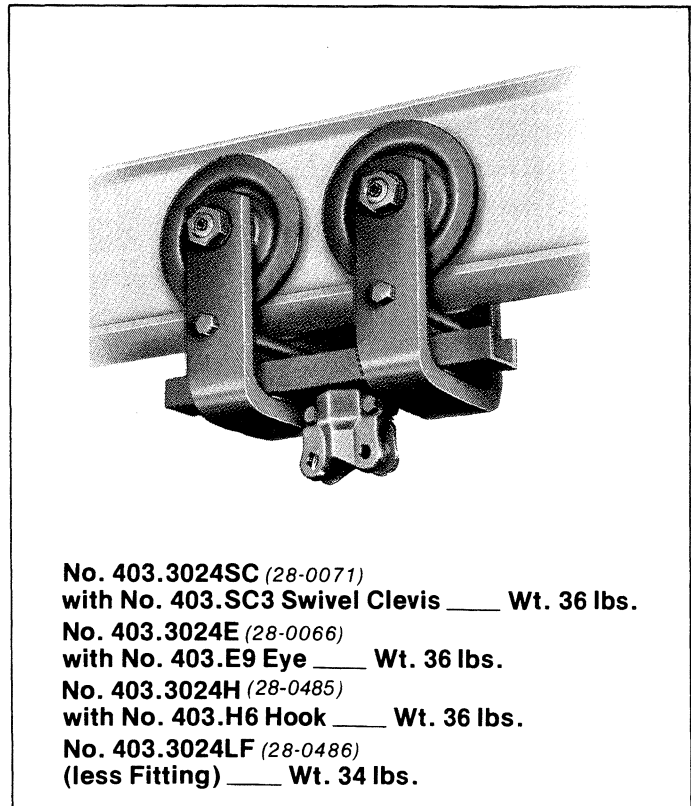
Yokes and loadbars for this trolley are made from formed steel. Fittings available are forged eye, hook, or two-piece malleable iron swivel clevis.

Yokes with guide rollers cannot be used with this trolley.

For wheel assembly, refer to page 400-5.

Option: (a) spark-resistant bronze wheels

When used with 703.72XX track switches, additional lugs are required on the trolley yoke to contact switch baffles. Consult Factory.



ACCO Material Handling Solutions
 76 Acco Drive, Box 792, York, PA 17405-0792
 717-741-4863, 800-967-7333, FAX 800-715-8897
 E-mail: info@accomhs.com www.accomhs.com

© 2007 FKI Industries Inc.
 Printed In USA



LOUDEN® TROLLEYS
FOR USE WITH 3.33" FLANGE TROJANTRACK™ SYSTEMS

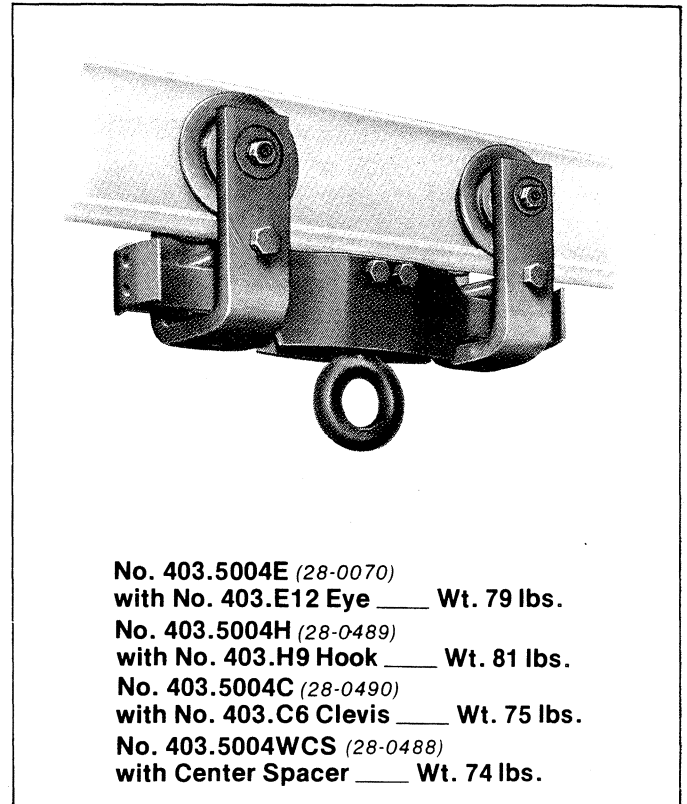
403T-19
 Issued 9-7-01

5000 lb. Capacity Four-Wheel Trolley with 28-0882 Wheel Assembly

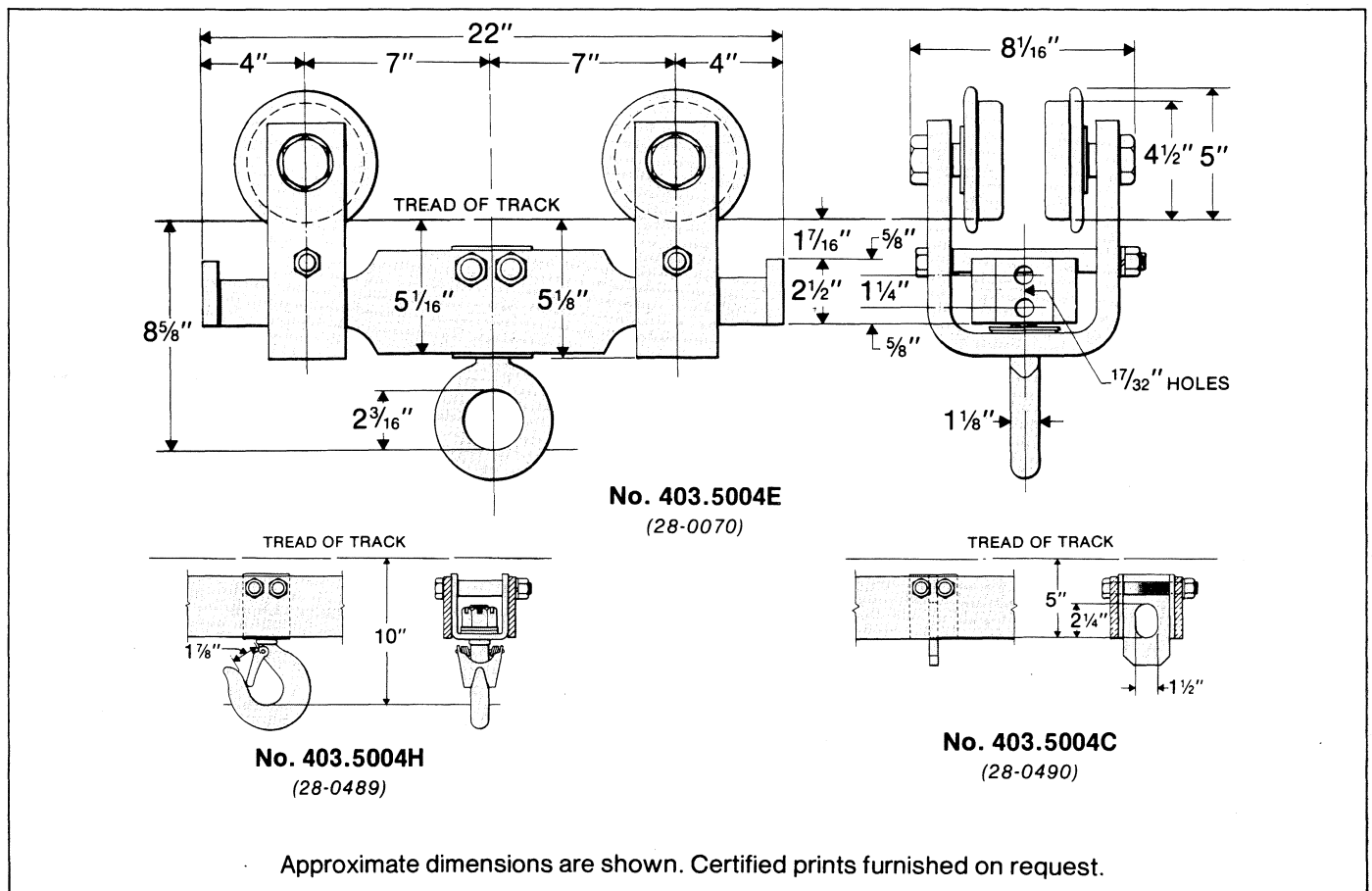
Yokes and loadbars for this trolley are made from formed steel. Fittings available are forged eye, hook, or fabricated steel clevis.

For wheel assembly, refer to page 400-7.

Options: (a) spark-resistant bronze wheels
 (b) flangeless wheels; refer to trolley o page 403T-25.



WARNING: Equipment described herein is not designed for and should not be used for lifting, supporting or transporting humans. Use of the equipment for this purpose can result in serious bodily injury and/or property damage.





LOUDEN® TROLLEYS
FOR USE WITH 3.33" FLANGE TROJANTRACK™ SYSTEMS

403T-20
 Issued 9-7-01

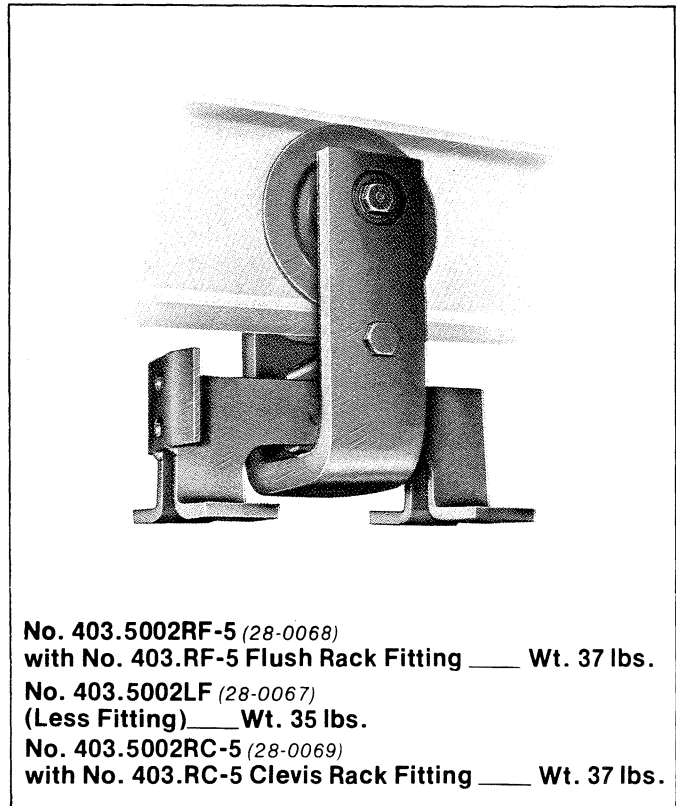
5000 lb. Capacity Two-Wheel Trolley
with 28-0593 (PF-4370) Wheel Assembly

Two-wheel trolleys are for use with special loadbars, racks and carriers. When used as independent load bearing units, two-wheel trolleys do not provide the ease and smoothness of travel accomplished by their use in pairs, one at each end of the carrier.

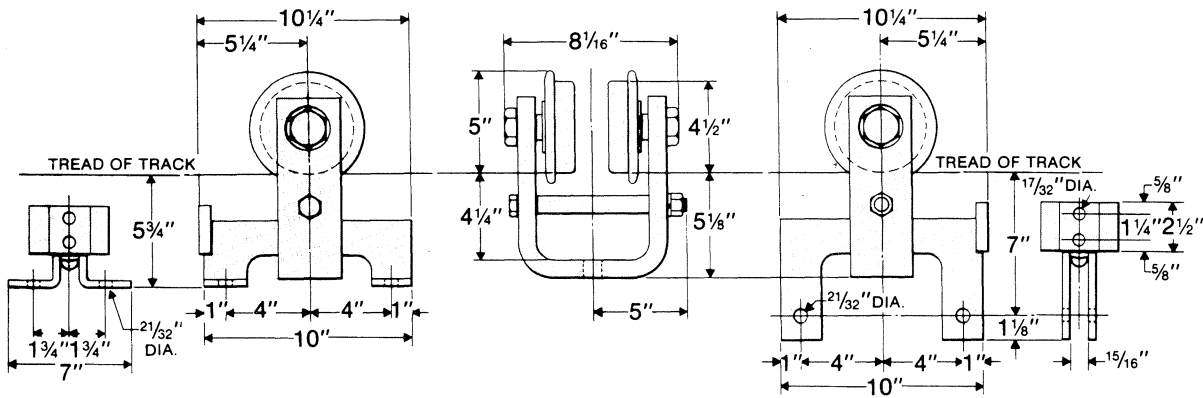
Yokes and fittings are made from formed steel. Flush-rack and clevis-rack fittings are available.

For wheel assembly, refer to page 400-9.

Options: (a) spark-resistant bronze wheels
 (b) flangeless wheels; refer to trolley on page 403T-26.



No. 403.5002RF-5 (28-0068)
 with No. 403.RF-5 Flush Rack Fitting ____ Wt. 37 lbs.
No. 403.5002LF (28-0067)
 (Less Fitting) ____ Wt. 35 lbs.
No. 403.5002RC-5 (28-0069)
 with No. 403.RC-5 Clevis Rack Fitting ____ Wt. 37 lbs.



No. 403.5002RF-5
 (28-0068)

No. 403.5002LF
 (28-0067)

No. 403.5002RC-5
 (28-0069)

Approximate dimensions are shown. Certified prints furnished on request.



ACCO Material Handling Solutions
 76 Acco Drive, Box 792, York, PA 17405-0792
 717-741-4863, 800-967-7333, FAX 800-715-8897
 E-mail: info@accomhs.com www.accomhs.com



LOUDEN® TROLLEYS
FOR USE WITH 3.33" FLANGE TROJANTRACK™ SYSTEMS

403T-21
 Issued 9-7-01

6000 lb. Capacity Eight-Wheel Trolley with 28-0878 Wheel Assembly

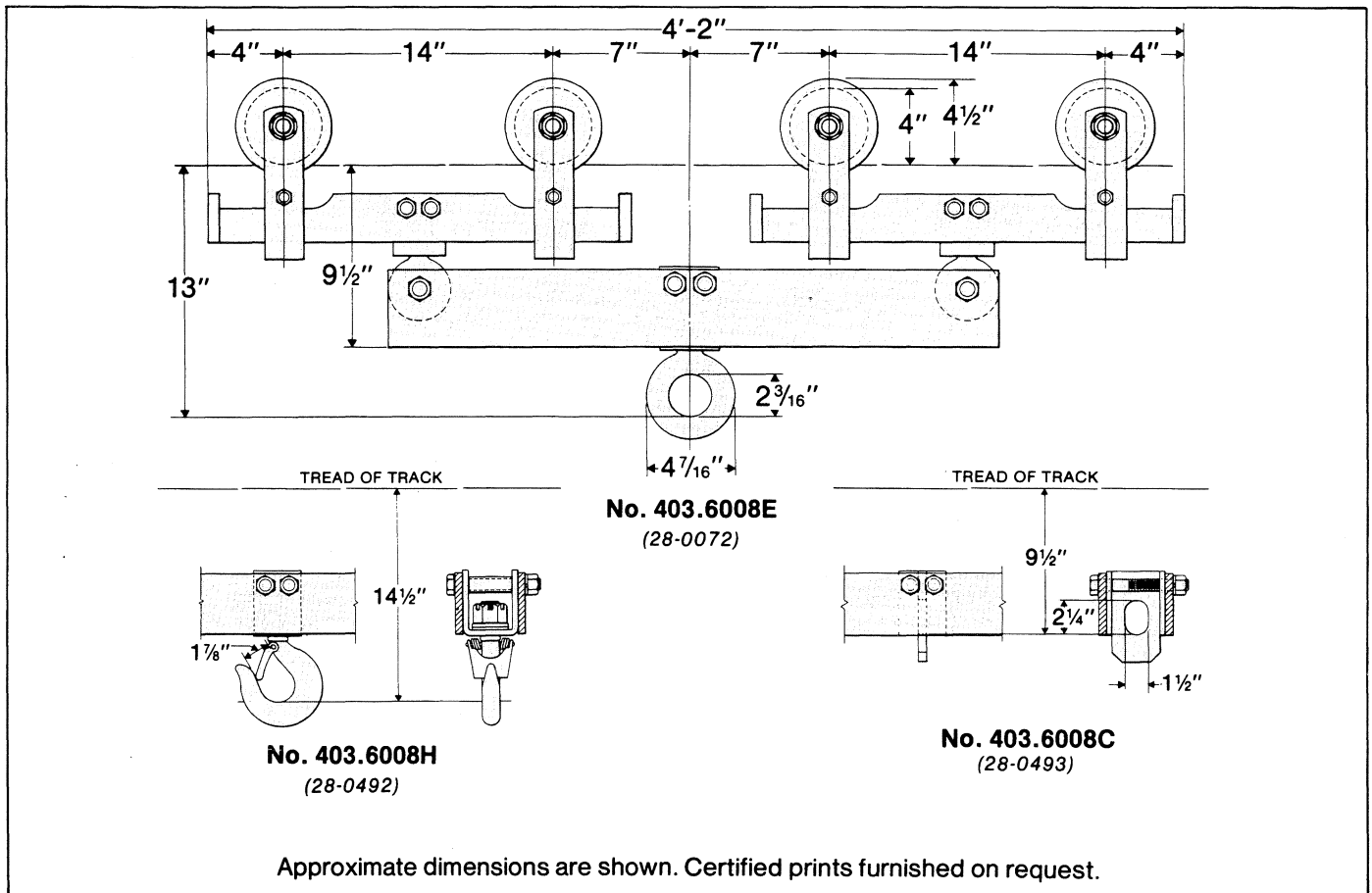
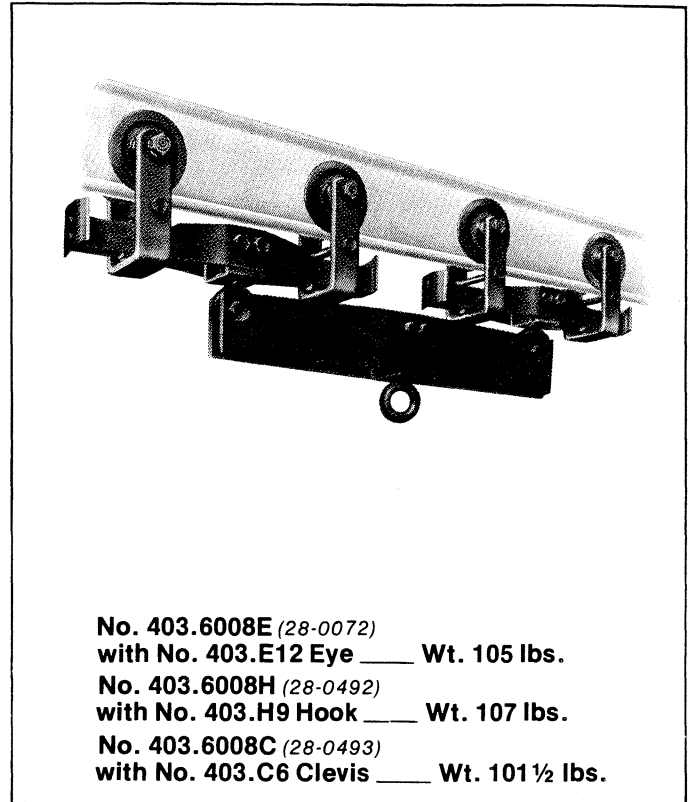
Yokes, loadbar and connecting bar for this assembly are made from formed steel. Fittings available are drop forged eye, hook or fabricated steel clevis.

For wheel assembly, refer to page 400-5.

- Options: (a) spark-resistant bronze wheels.
- (b) flangeless wheels; refer to trolley on page 403T-24.

When used with 703.72XX track switches, additional lugs are required on the trolley yoke to contact switch baffles. Consult Factory.

WARNING: Equipment described herein is not designed for and should not be used for lifting, supporting or transporting humans. Use of the equipment for this purpose can result in serious bodily injury and/or property damage.





LOUDEN® TROLLEYS
FOR USE WITH 3.33" FLANGE TROJANTRACK™ SYSTEMS

403T-22
 Issued 9-7-01

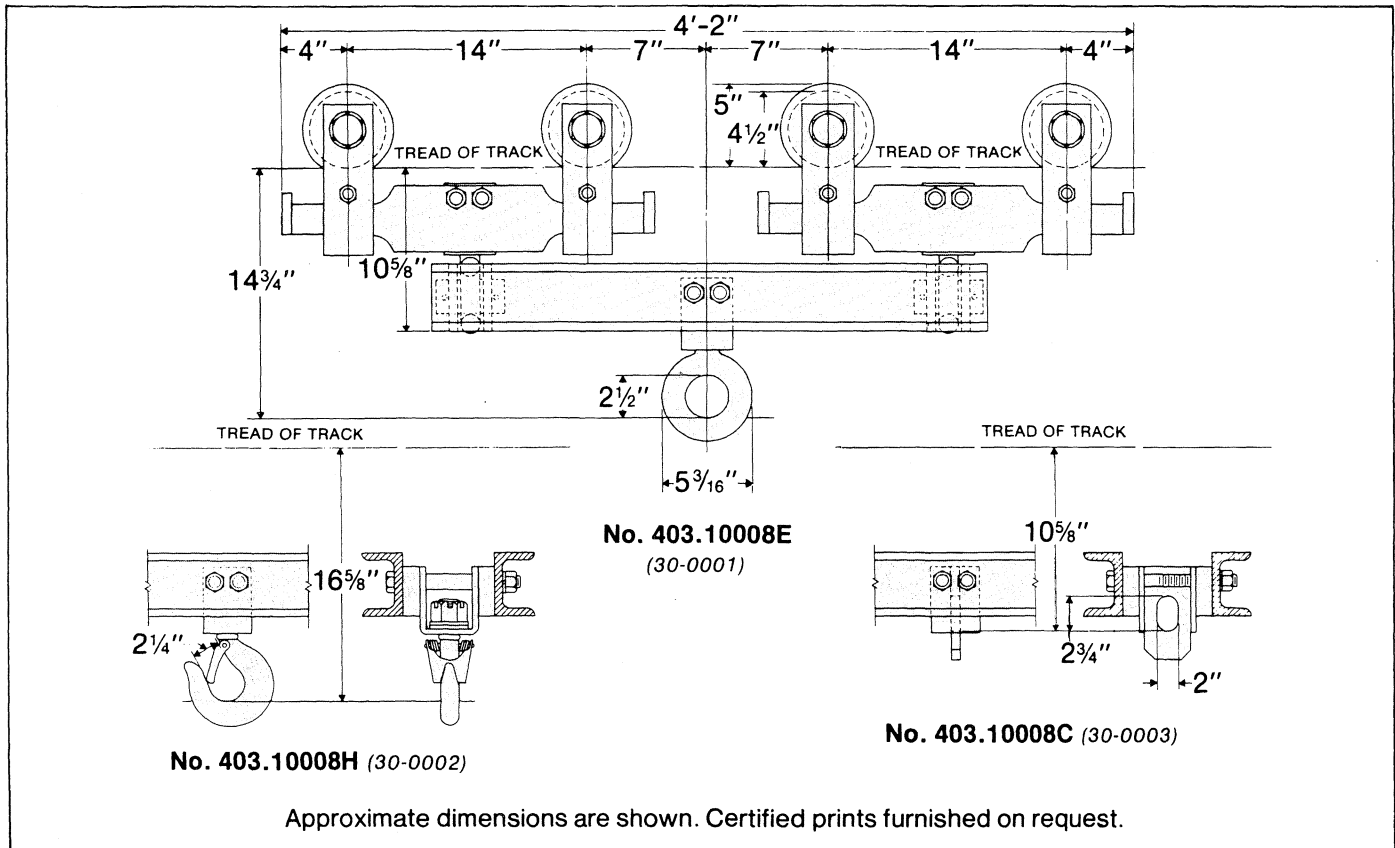
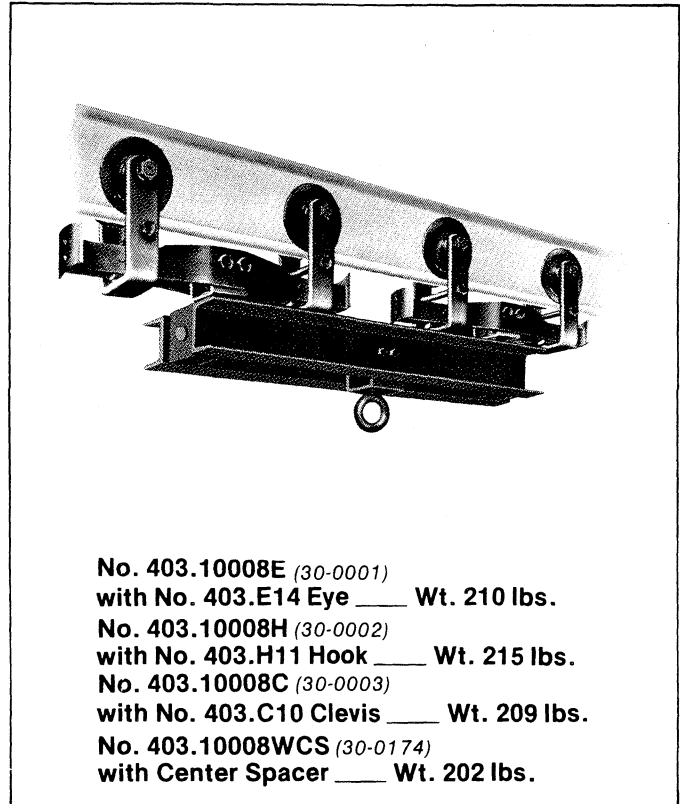
10000 lb. Capacity Eight-Wheel Trolley with 28-0882 Wheel Assembly

Yokes, loadbar and connecting bar for this trolley are made from formed and rolled steel. Fittings available are forged eye, hook or fabricated steel clevis.

For wheel assembly, refer to page 400-7.

Bronze wheels are optionally available for this trolley assembly.

Options: (a) spark-resistant bronze wheels
 (b) flangeless wheels; refer to trolley on page 403T-25.



ACCO Material Handling Solutions
 76 Acco Drive, Box 792, York, PA 17405-0792
 717-741-4863, 800-967-7333, FAX 800-715-8897
 E-mail: info@accomhs.com www.accomhs.com

© 2007 FKI Industries Inc.
 Printed In USA



LOUDEN® TROLLEYS
FOR USE WITH 3.33" FLANGE TROJANTRACK™ SYSTEMS

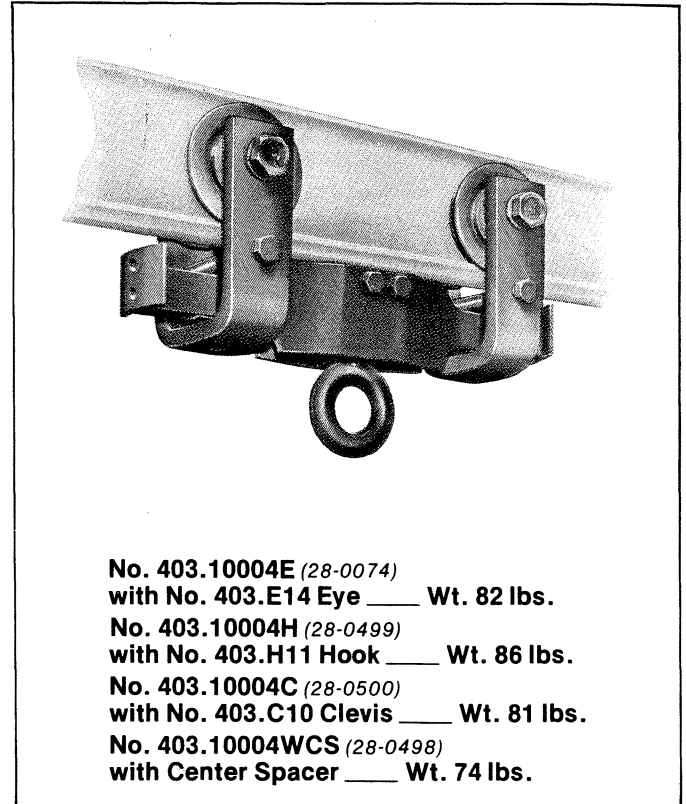
403T-23
Issued 9-7-01

10000 lb. Capacity Four-Wheel Trolley
with 28-0593 (PF-4370) Wheel Assembly

Yokes and loadbar for this trolley are made from formed steel. Fittings available are forged eye, hook or fabricated steel clevis.

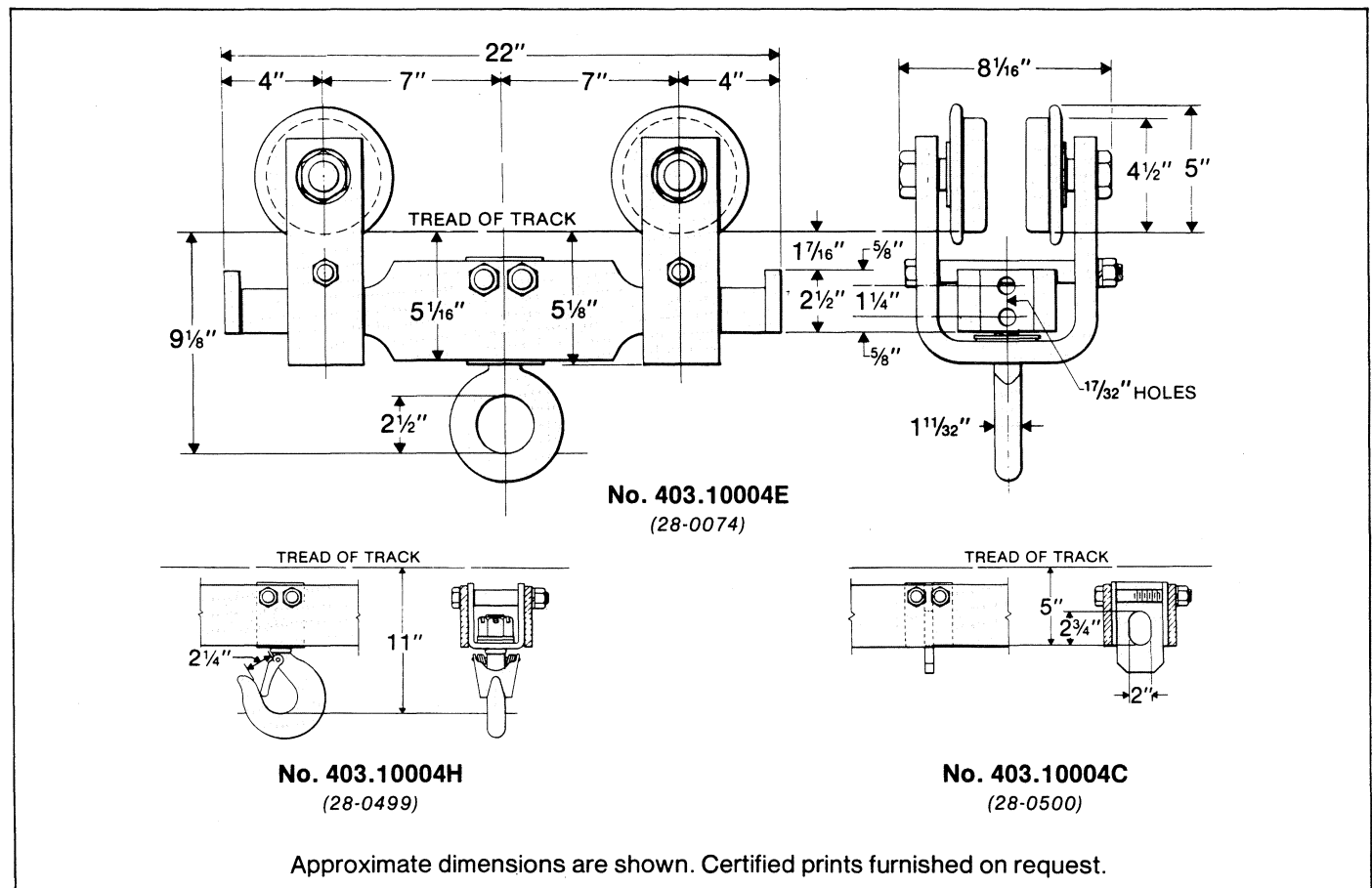
For wheel assembly, refer to page 400-9.

Options: (a) spark-resistant bronze wheels
(b) flangeless wheels; refer to trolley on page 403T-26.



- No. 403.10004E (28-0074)
with No. 403.E14 Eye ____ Wt. 82 lbs.
- No. 403.10004H (28-0499)
with No. 403.H11 Hook ____ Wt. 86 lbs.
- No. 403.10004C (28-0500)
with No. 403.C10 Clevis ____ Wt. 81 lbs.
- No. 403.10004WCS (28-0498)
with Center Spacer ____ Wt. 74 lbs.

WARNING: Equipment described herein is not designed for and should not be used for lifting, supporting or transporting humans. Use of the equipment for this purpose can result in serious bodily injury and/or property damage.



Approximate dimensions are shown. Certified prints furnished on request.



**LOUDEN® TROLLEYS
FOR USE WITH 3.33" FLANGE TROJANTRACK™ SYSTEMS**

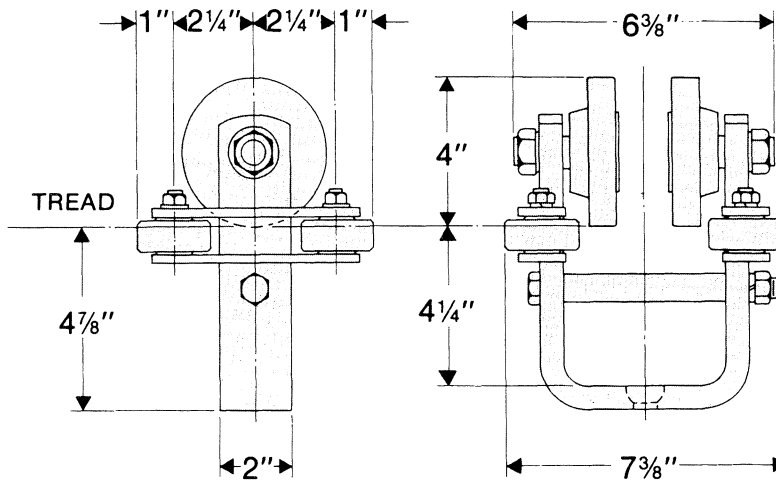
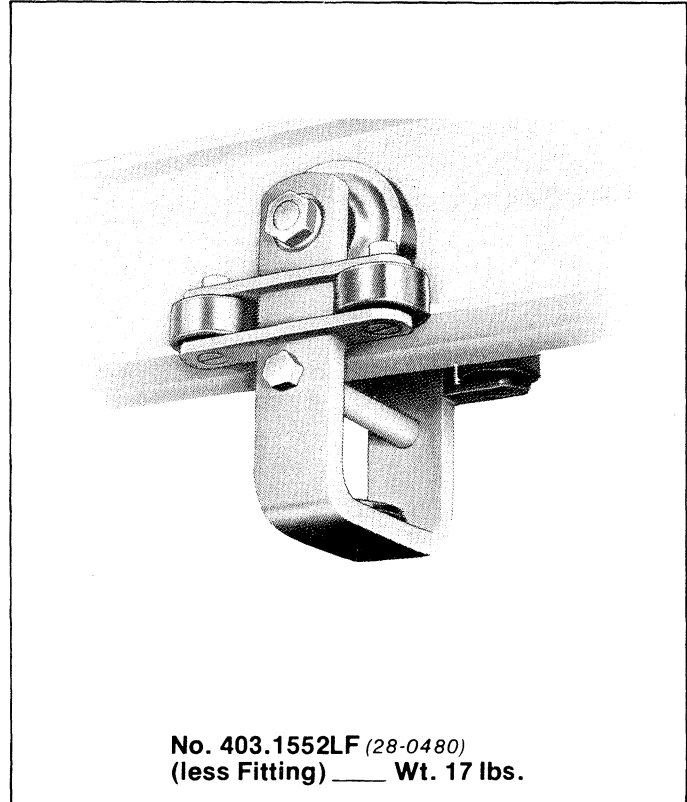
403T-24
Issued 9-7-01

**1500 lb. Capacity Two-Wheel Trolley
with 28-0879 Flangeless Wheel
Assembly and Guide Rollers**

This trolley can be substituted for the standard trolleys illustrated on pages 15, 17, and 21 of this 403T section. It is also available as an alternate for trolleys of this capacity on crane trucks, hoist trolleys and special carriers.

Yokes for this assembly are formed steel with welded steel roller brackets. Guide rollers have single row-pre-lubricated and permanently sealed anti-friction bearings, with heavy wall, hardened outer race.

For wheel assembly, refer to page 400-6.



No. 403.1552LF (28-0480)

Approximate dimensions are shown. Certified prints furnished on request.



ACCO Material Handling Solutions
76 Acco Drive, Box 792, York, PA 17405-0792
717-741-4863, 800-967-7333, FAX 800-715-8897
E-mail: info@accomhs.com www.accomhs.com

© 2007 FKI Industries Inc.
Printed In USA



**LOUDEN® TROLLEYS
FOR USE WITH 3.33" FLANGE TROJANTRACK™ SYSTEMS**

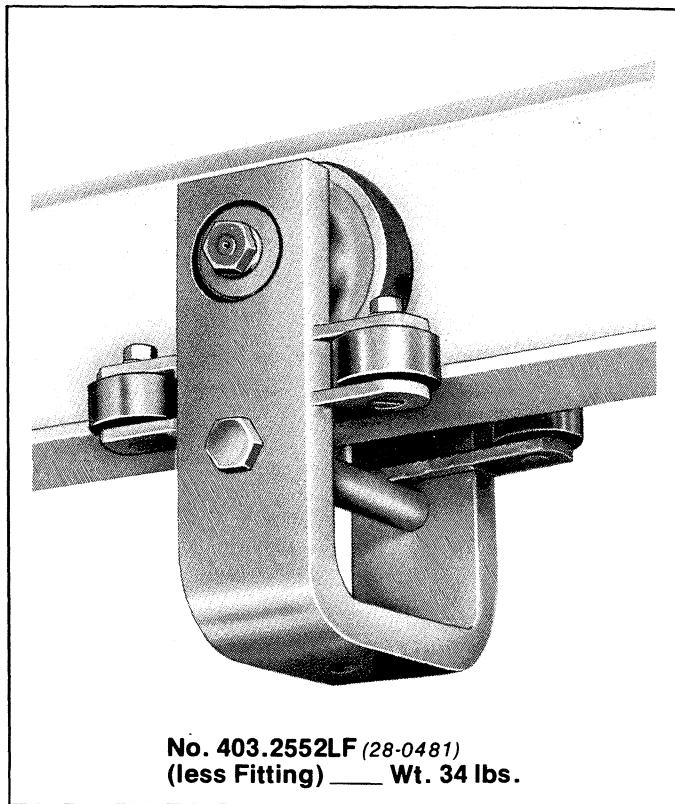
403T-25
Issued 9-7-01

**2500 lb. Capacity Two-Wheel Trolley
with 28-0881 Flangeless Wheel Assembly
and Guide Rollers**

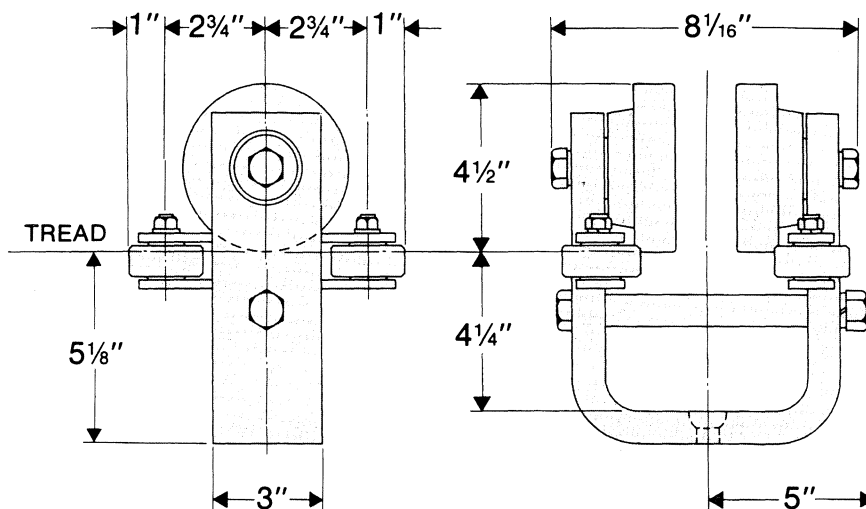
This trolley can be substituted for the standard trolleys illustrated on pages 16, 19, and 22 of this 403T section. It is also available as an alternate for trolleys of this capacity on crane trucks, hoist trolleys and special carriers.

Yokes for this assembly are formed steel with welded steel roller bracket. Guide rollers have single row, pre-lubricated and permanently sealed anti-friction bearings, with heavy wall, hardened outer race.

For wheel assembly, refer to page 400-8.



WARNING: Equipment described herein is not designed for and should not be used for lifting, supporting or transporting humans. Use of the equipment for this purpose can result in serious bodily injury and/or property damage.



**No. 403.2552LF
(28-0481)**

Approximate dimensions are shown. Certified prints furnished on request.



LOUDEN® TROLLEYS
FOR USE WITH 3.33" FLANGE TROJANTRACK™ SYSTEMS

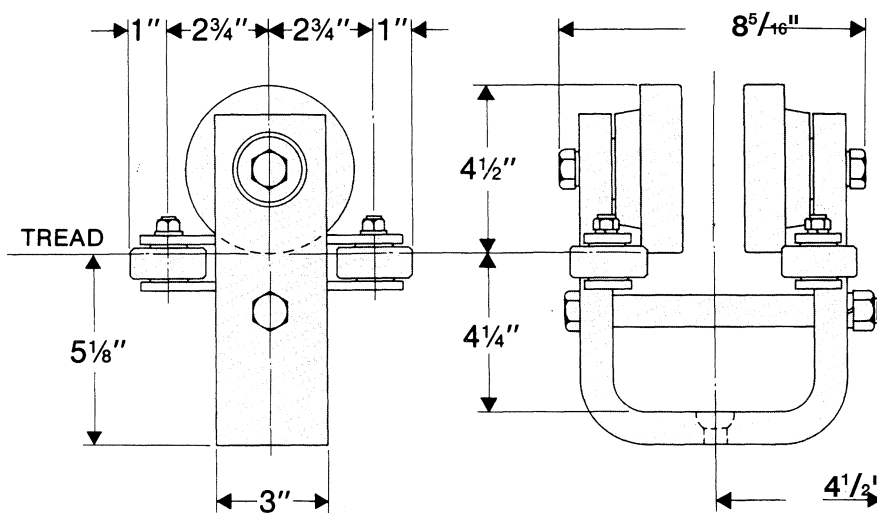
403T-26
 Issued 9-7-01

5000 lb. Capacity Two-Wheel Trolley
with 28-0595 Flangeless Wheel
Assembly and Guide Rollers

This trolley can be substituted for the standard trolleys illustrated on pages 20 and 23 of this 403T section. It is also available as an alternate for trolleys of this capacity on crane trucks, hoist trolleys, special carriers and also Model 3HL *MotoVeyor*® drive units.

Yokes for this assembly are formed steel with welded steel roller bracket. Guide rollers have single row, pre-lubricated and permanently sealed anti-friction bearings, with heavy wall, hardened outer race.

For wheel assembly, refer to page 400-10.



No. 403.5052LF
 (28-0491)

Approximate dimensions are shown. Certified prints furnished on request.



ACCO Material Handling Solutions
 76 Acco Drive, Box 792, York, PA 17405-0792
 717-741-4863, 800-967-7333, FAX 800-715-8897
 E-mail: info@accomhs.com www.accomhs.com

© 2007 FKI Industries Inc.
 Printed In USA



LOUDEN® TROLLEYS
FOR USE WITH 3.33" FLANGE TROJANTRACK™ SYSTEMS

403T-27
Issued 9-7-01

10000 lb. Capacity Two-Wheel Trolley with 28-0589 (PF-4354) Wheel Assembly

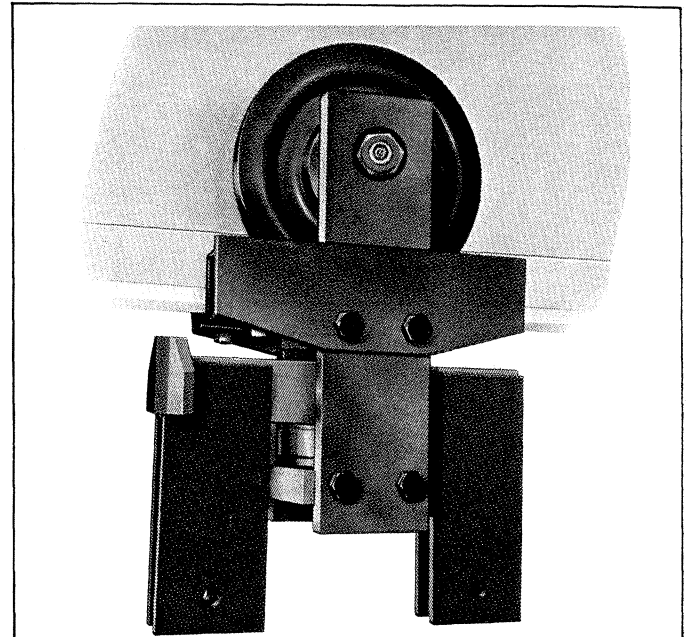
Two-wheel trolleys are for use with special loadbars, racks and carriers. When used as independent load bearing units, two-wheel trolleys do not provide the ease and smoothness of travel accomplished by their use in pairs, one at each end of the carrier.

The loadbar pivot on this assembly is equipped with anti-friction thrust bearings and neoprene shock absorber.

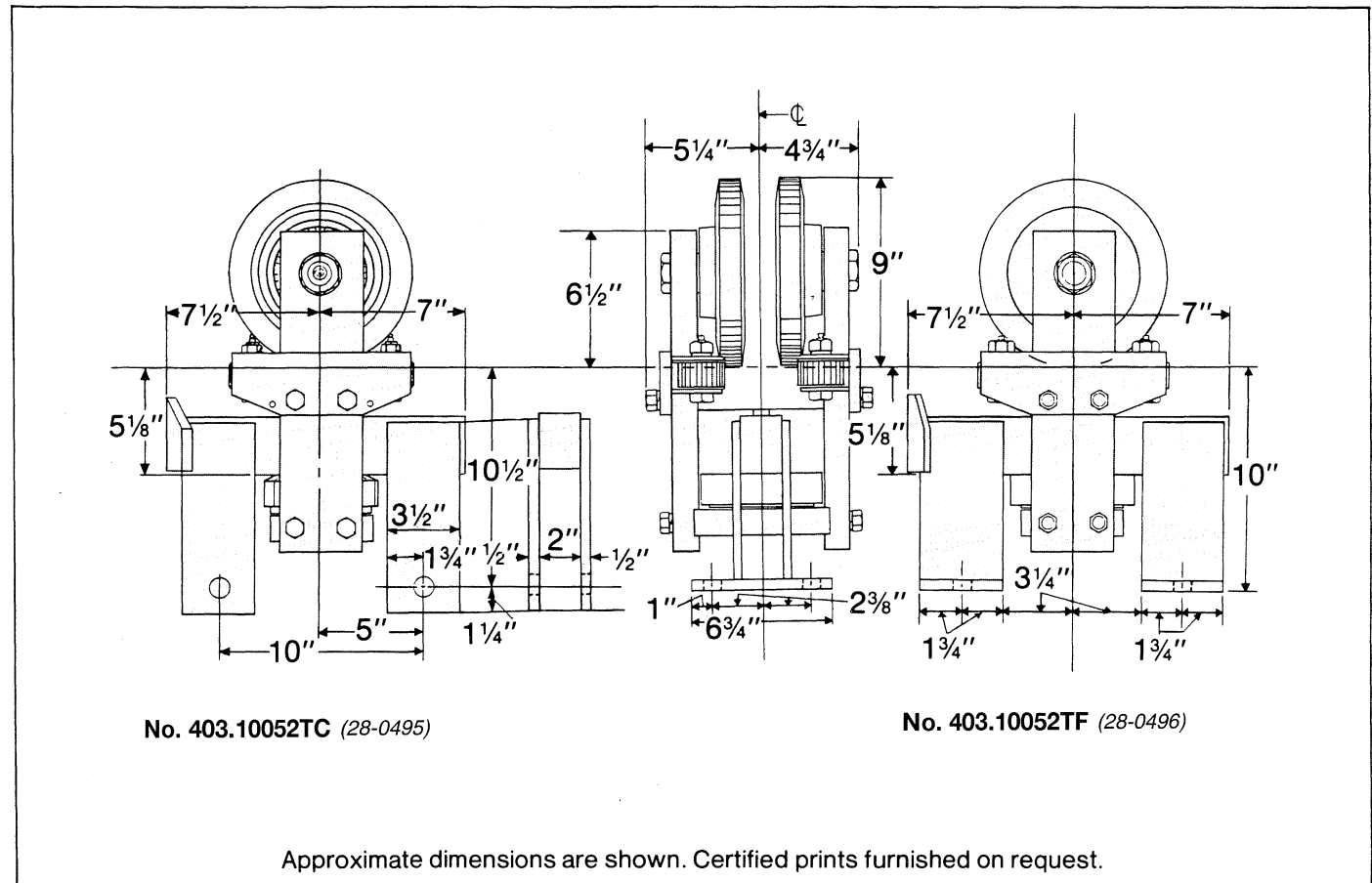
Trolley frame and fittings are of all steel construction.

For wheel assembly, refer to page 400-11.

WARNING: Equipment described herein is not designed for and should not be used for lifting, supporting or transporting humans. Use of the equipment for this purpose can result in serious bodily injury and/or property damage.



No. 403.10052TC (28-0495)
with No. 403.TC Clevis Rack Fitting — Wt. 139 lbs.
No. 403.10052TF (28-0496)
with No. 403.TF Flush Rack Fitting — Wt. 146 lbs.





**LOUDEN® TROLLEYS
FOR USE WITH 3.33" FLANGE TROJANTRACK™ SYSTEMS**

403T-28
Issued 9-7-01

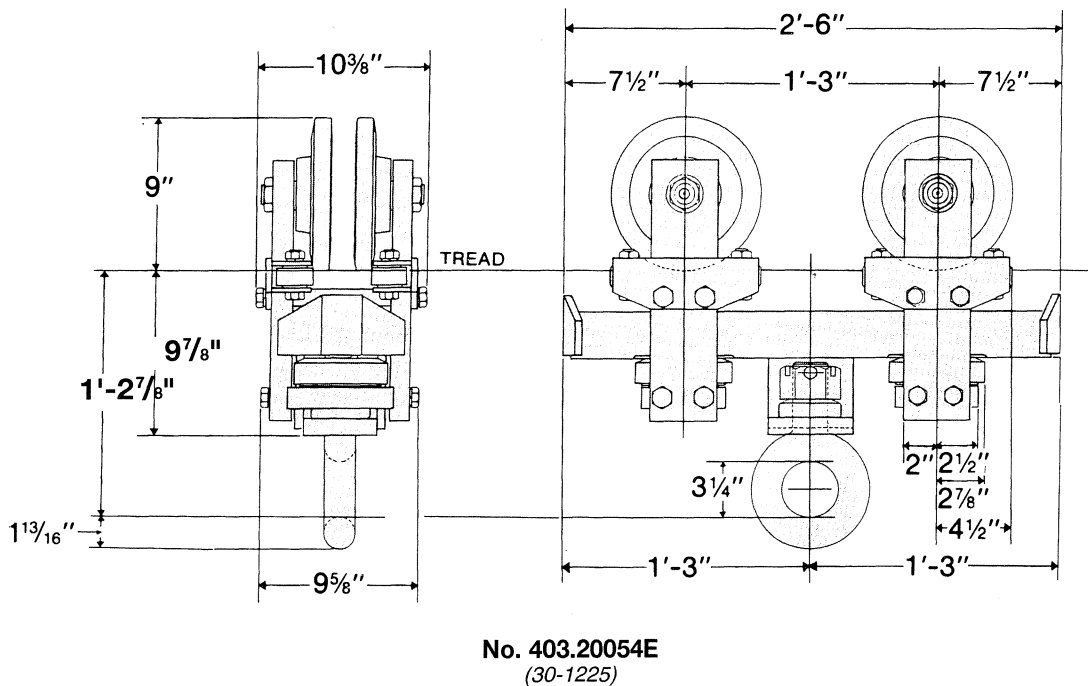
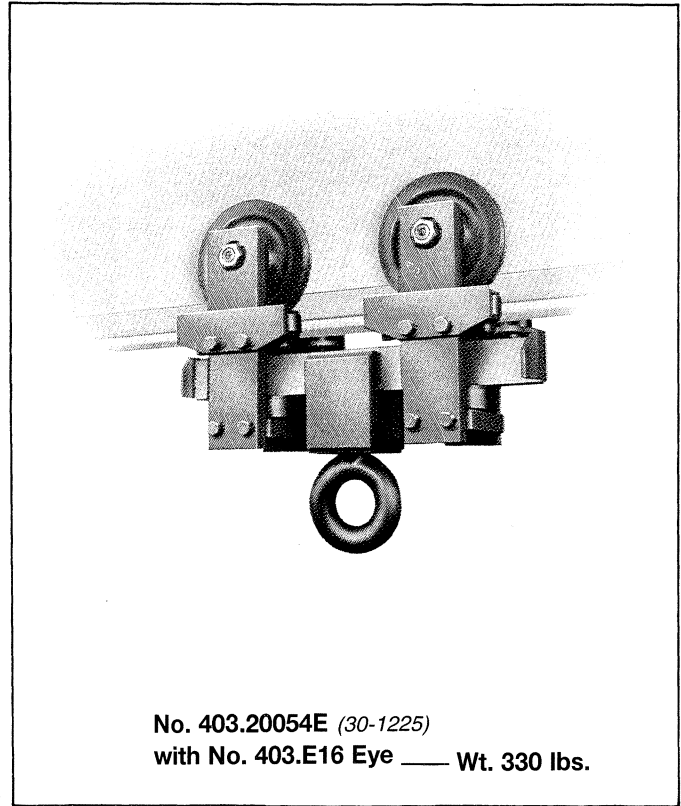
**20000 lb. Capacity Four-Wheel Trolley
with 28-0589 (PF-4354) Wheel Assembly**

Yoke and loadbar pivots are equipped with anti-friction thrust bearings and neoprene shock absorbers.

Trolley frame and loadbar are of all steel construction.

Fitting for this assembly is a forged eye equipped with anti-friction thrust bearings.

For wheel assembly, refer to page 400-11.



Approximate dimensions are shown. Certified prints furnished on request.



ACCO Material Handling Solutions
76 Acco Drive, Box 792, York, PA 17405-0792
717-741-4863, 800-967-7333, FAX 800-715-8897
E-mail: info@accomhs.com www.accomhs.com

© 2007 FKI Industries Inc.
Printed In USA



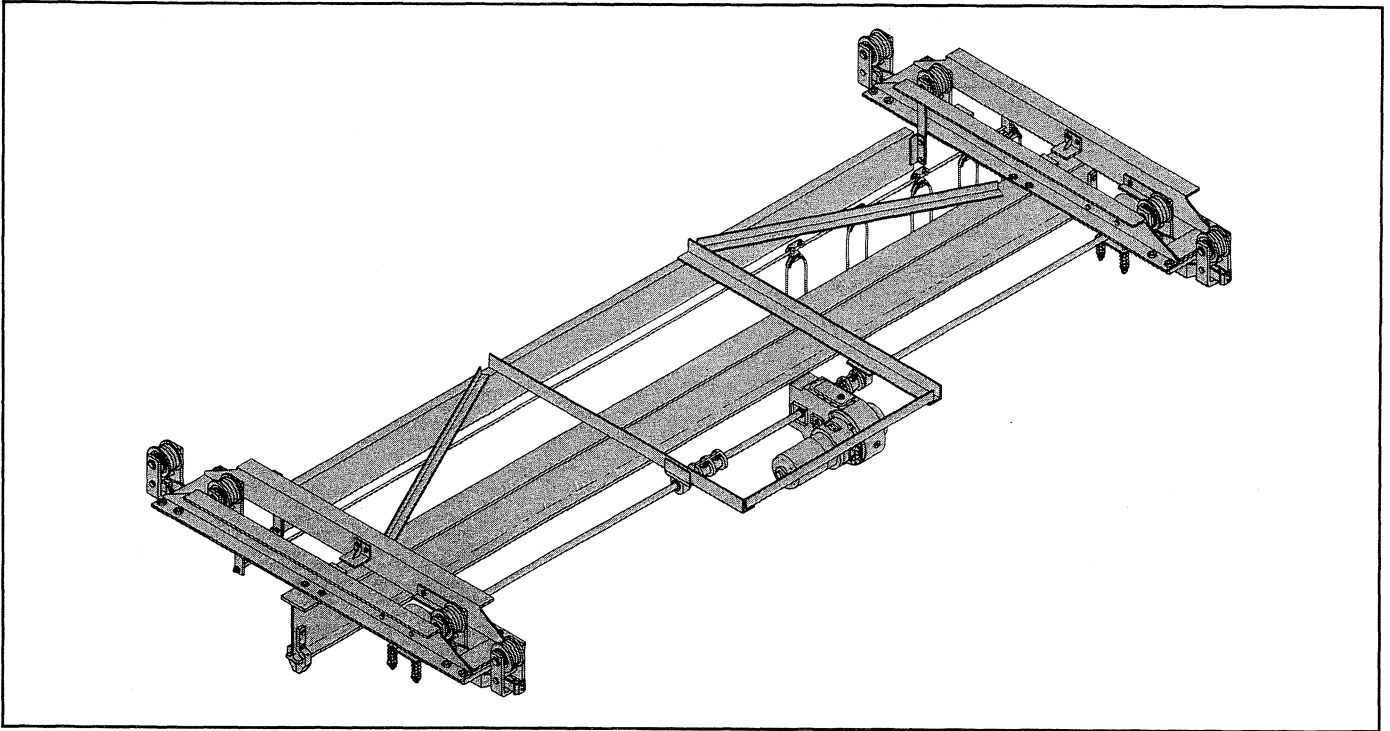
GUIDE FOR NUMBER OF CONDUCTORS REQUIRED ON BRIDGE

		Pendant Location	
		MotoVeyor or Hoist	End Truck or Walkaway
Power Circuit	3-Phase/A.C. (L1,2,3)	3	3
Control Circuit	1-Phase/A.C. (X)	1	1
Hoist	Single Speed	0	2
	2-Speed	0	3
	3-Step V.S. or Inverter	0	4
	4-Step V.S. or Inverter	0	5
	5-Step V.S. or Inverter	0	6
	Stepless Inverter	0	5
	Tri-Speed	0	4
MotoVeyor or Hoist Trolley	Single Speed	0	2
	2-Speed	0	3
	3-Step V.S. or Inverter	0	4
	4-Step V.S. or Inverter	0	5
	5-Step V.S. or Inverter	0	6
	Stepless Inverter	0	5
	Tri-Speed	0	4
Crane Drive	Single Speed	2	0
	2-Speed	3	0
	3-Step V.S. or Inverter	4	0
	4-Step V.S. or Inverter	5	0
	5-Step V.S. or Inverter	6	0
	Stepless Inverter	5	0
	Tri-Speed	4	0
Magnetic Disconnect	When carrier is captive to crane	1	0
Lock-in Circuit for Magnetic Disconnect	(When carrier leaves bridge or more than one carrier can occupy bridge simultaneously)	2	N.A.
Unlatch Circuit	(When 2 or more carriers operate on bridge)	1	N.A.
Motor Operated Latch	(None required for block)	2	N.A.





**Single Girder, Motor Propelled Cranes With Center Drive, To Operate on
Two-Runways of 603 Supertrack, 604 Supertrack Girder, or 605 Trojan Track Girder,
3.33" Operating Flange, For Use With Electric, Air, or Hand Chain Hoists**



The Louden Series 503 center drive crane is offered in capacities of 1 through 5 tons, with spans to 58 feet. Standard bridge speeds are 75 and 135 F.P.M., single speed. Optional travel speeds (single speed) are 50, 110, 165, 190, and 225 F.P.M. Other optional speeds are 2-speed, and variable speed. High speeds listed above. All speeds, except variable, will have adjustable torque and speed ramps through the use of the Acco Acceleration Control Module, a solid state device providing smooth bridge motion and excellent load control. Variable speed incorporates inverter control.

Standard crane motors are T.E.N.V., 30 minute, with Class F insulation, 55 degree rise over 60 degree ambient. All crane motors will have an AC disc brake as standard.

Available current characteristics are 460/230 volts, 3 phase, 60 Hertz, with 115 volt control circuit.

The gear reducer utilizes Helical gears cut from solid blanks to AGMA specifications. All gears are supported at both ends of the gear shaft by tapered roller bearings, and are enclosed in an oil-tight housing and run in an oil bath.

The drive tires are spring loaded to the underside of the runways, enabling all load wheels to be idler wheels. Load wheels are drop forged and hardened to 425 Brinell minimum. Wheels are flanged, with 4½ inch tread diameter, and bearings are double row ball or tapered roller type.

Standard electrical equipment includes NEMA type 12 enclosure, a mainline magnetic contactor, manually operated fused mainline disconnect switch with lock out provision, branch circuit fuses, single speed magnetic reversing contactor, transformer with fused secondary, and flat wire festoon tagline bridge electrification. Festooning will consist of four power conductors and eight control conductors.

Each crane is custom designed to fit the structure from which it is to be supported. It is designed to meet or exceed the standards of the Monorail Manufacturers Association and ANSI specification #MH27.1-1996.

The 503 series crane is designed for Class C moderate service (as defined by the above ANSI standard).

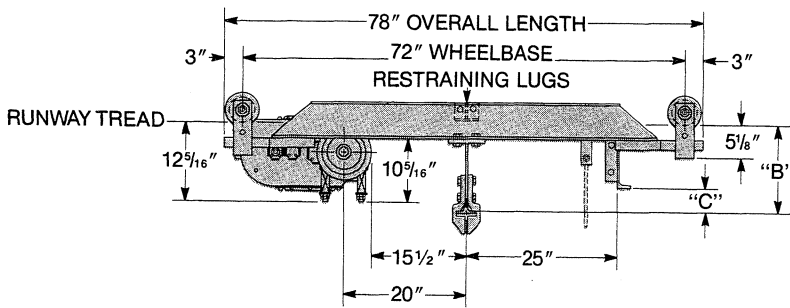
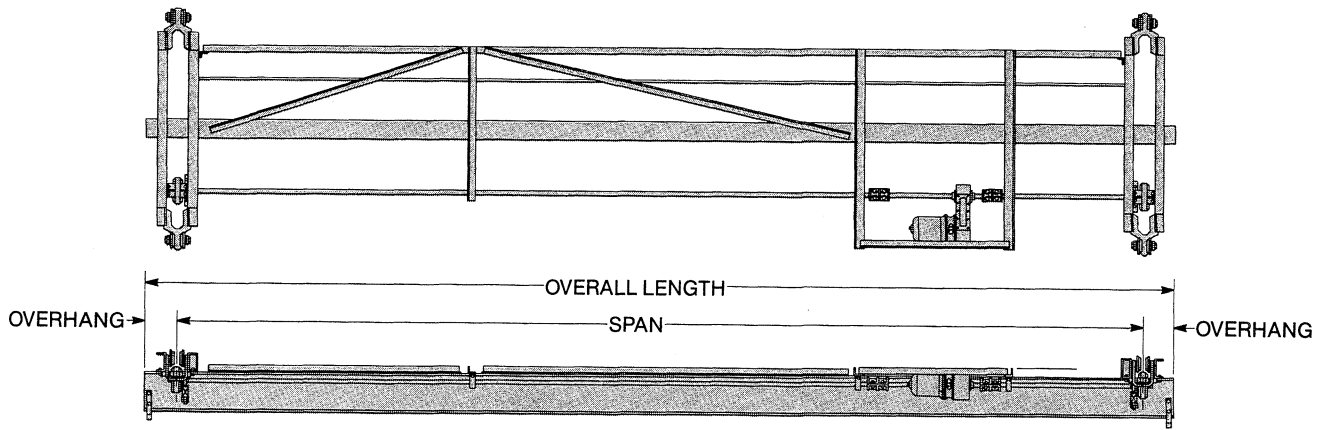
The crane is fully assembled before shipment, including the tagline festoon system. The crane will be painted with one coat of yellow lead free alkyd enamel.

WARNING: Equipment described herein is not designed for and should not be used for lifting, supporting or transporting humans. Use of the equipment for this purpose can result in serious bodily injury and/or property damage.



**LOUDEN® 503 SINGLE GIRDER
MOTOR PROPELLED CRANES
WITH CENTER DRIVE**

503-2
Issued 9-7-01



NOTES:

1. Speeds shown are based on using 1800 R.P.M. motors.
2. Horsepowers shown are based on using single speed motors.
3. Available non-standard speeds are: 50, 110, 165, 190, 255 F.P.M.
4. Standard 2-speed motors are 1800/600 R.P.M.
5. Design load = Live load, plus 15% live load for impact, plus 1,290 lbs. for hoist and trolley.
6. Maximum permissible wheel load on 603 Supertrack and 604 type Supertrack Girder is 2,500 lbs. (5,000 lbs. per two-wheel trolley). For 605 Trojan Track Girder the limitation is 3,750 lbs. (7,500 lbs. per two-wheel trolley) when transferring through 505,7830 latch; 5,000 lbs. (10,000 lbs. per two-wheel trolley) when captive on bridge, or when used on Super-Trojan Track Runways. (Super-Trojan Track requires .7500 in. min. thickness of top flange, .4375 in. min. thickness of web, and splices must be welded rather than bolted.)
7. Weights shown are based on single speed drive with brake and controls, flat-wire festoon tagline bridge electrification, and 12" overhang each end of bridge.
8. Calculated for this crane.
9. B = Girder depth plus 2" (Trd. To Trd.)

Max. Span Ft.	Bridge Girder Required	Crane Weight (Lbs.)	Motor H.P.		OVERHANG					Truck Capacity (Max.)	Wheel Load Per Pair (8)	Idler Trl. Wheel & Axle	Dim. "C"
			Speed (F.P.M.)		In. Std.	In. Min.	In. Max.	505.7824 Latch	505.7830 Latch				
			75	135									
Catalog Number 503.2003			2,000 lbs. Capacity							3,590 lbs. Design Load⁽⁵⁾			
22	604.924	2257	3/4	3/4	12	7	18	15	13 1/2	5,000	2,360	28-0882	1"
24	604.1231	2724	3/4	3/4	12	7	18	15	13 1/2	5,000	2,477	28-0882	2"
26	604.1231	2815	3/4	3/4	12	7	18	15	13 1/2	5,000	2,500	28-0882	2"
28	604.1231	2906	3/4	3/4	12	7	18	15	13 1/2	10,000	2,522	28-0593	2"
30	604.1231	2997	3/4	3/4	12	7	18	15	13 1/2	10,000	5,545	28-0593	2"
32	604.1435	3312	3/4	3/4	12	7	18	15	13 1/2	10,000	2,623	28-0593	4"
34	604.1435	3418	3/4	3/4	12	7	18	15	13 1/2	10,000	2,650	28-0593	4"
36	604.1435	3524	3/4	3/4	12	7	18	15	13 1/2	10,000	2,676	28-0593	2"
38	604.1538	3751	3/4	3/4	12	7	18	15	13 1/2	10,000	2,733	28-0593	3"
40	604.1538	3861	3/4	3/4	12	7	18	15	13 1/2	10,000	2,761	28-0593	3"
42	604.1846	4367	3/4	1	12	7	18	15	13 1/2	10,000	2,887	28-0593	6"
44	604.1846	4493	3/4	1	12	7	18	15	13 1/2	10,000	2,919	28-0593	5"
46	604.1846	5363	3/4	1	12	7	18	15	13 1/2	10,000	3,136	28-0593	4"
48	604.1846	5505	3/4	1	12	7	18	15	13 1/2	10,000	3,172	28-0593	4"
50	604.2153	6211	3/4	1	12	7	18	15	13 1/2	10,000	3,348	28-0593	7"
52	604.2153	6367	3/4	1	12	7	18	15	13 1/2	10,000	3,387	28-0593	7"
54	604.2153	6523	3/4	1	12	7	18	15	13 1/2	10,000	3,426	28-0593	7"
56	605.2166	7695	3/4	1	12	7	18	15	13 1/2	10,000	3,719	28-0593	5"
58	605.2166	7885	3/4	1	12	7	18	15	13 1/2	10,000	3,767	28-0593	5"

WARNING: Equipment described herein is not designed for and should not be used for lifting, supporting or transporting humans. Use of the equipment for this purpose can result in serious bodily injury and/or property damage.



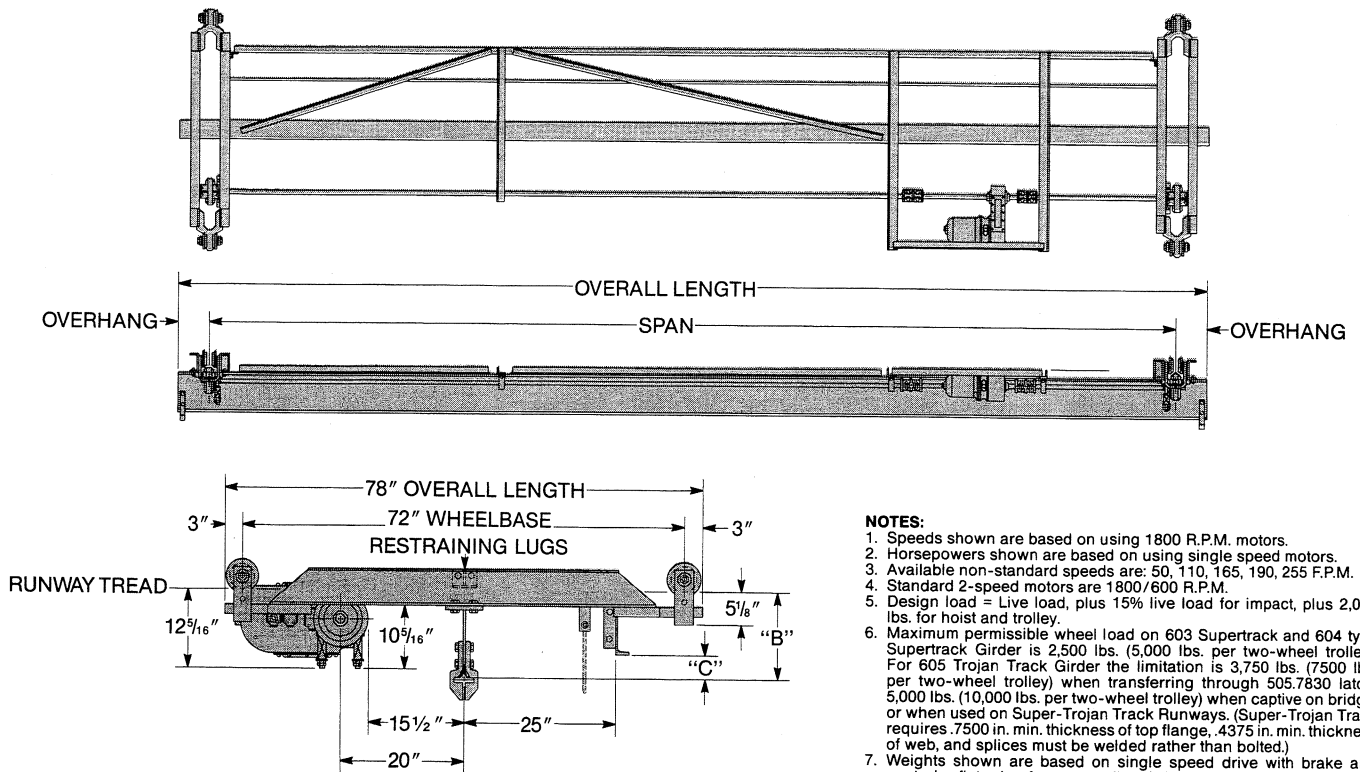
ACCO Material Handling Solutions
76 Acco Drive, Box 792, York, PA 17405-0792
717-741-4863, 800-967-7333, FAX 800-715-8897
E-mail: info@accomhs.com www.accomhs.com

© 2007 FKI Industries Inc.
Printed In USA



**LOUDEN® 503 SINGLE GIRDER
MOTOR PROPELLED CRANES
WITH CENTER DRIVE**

503-3
Issued 9-7-01



- NOTES:**
1. Speeds shown are based on using 1800 R.P.M. motors.
 2. Horsepowers shown are based on using single speed motors.
 3. Available non-standard speeds are: 50, 110, 165, 190, 255 F.P.M.
 4. Standard 2-speed motors are 1800/600 R.P.M.
 5. Design load = Live load, plus 15% live load for impact, plus 2,000 lbs. for hoist and trolley.
 6. Maximum permissible wheel load on 603 Supertrack and 604 type Supertrack Girder is 2,500 lbs. (5,000 lbs. per two-wheel trolley). For 605 Trojan Track Girder the limitation is 3,750 lbs. (7,500 lbs. per two-wheel trolley) when transferring through 505.7830 latch; 5,000 lbs. (10,000 lbs. per two-wheel trolley) when captive on bridge, or when used on Super-Trojan Track Runways. (Super-Trojan Track requires .7500 in. min. thickness of top flange, .4375 in. min. thickness of web, and splices must be welded rather than bolted.)
 7. Weights shown are based on single speed drive with brake and controls, flat-wire festoon tagline bridge electrification, and 12" overhang each end of bridge.
 8. Calculated for this crane.
 9. B = Girder depth plus 2" (Trd. To Trd.)

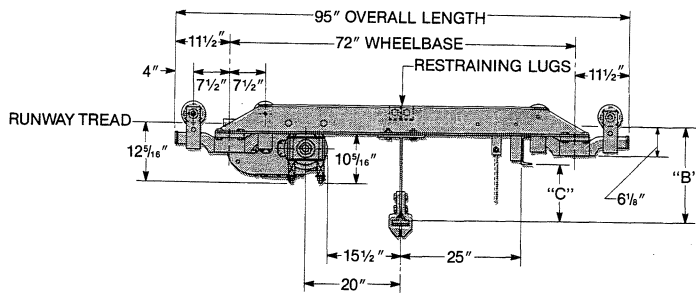
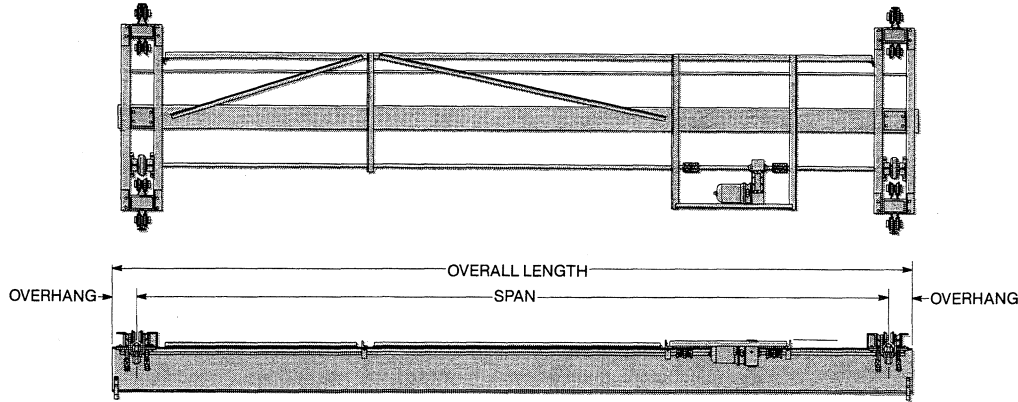
Max. Span Ft.	Bridge Girder Required	Crane Weight (Lbs.)	Motor H.P.		OVERHANG					Truck Capacity (Max.)	Wheel Load Per Pair (8)	Idler Tri. Wheel & Axle	Dim. "C"	
			Speed (F.P.M.)		In. Std.	In. Min.	In. Max.	505.7824 Latch	505.7830 Latch					
			75	135										
Catalog Number 503.4003			4,000 lbs. Capacity							6,600 lbs. Design Load⁽⁵⁾				
18	604.1231	2217	3/4	1	12	7	18	15	13 1/2	10,000	3,855	28-0593	4"	
20	604.1231	2374	3/4	1	12	7	18	15	13 1/2	10,000	3,894	28-0593	4"	
22	604.1231	2465	3/4	1	12	7	18	15	13 1/2	10,000	3,917	28-0593	4"	
24	604.1231	2556	3/4	1	12	7	18	15	13 1/2	10,000	3,940	28-0593	4"	
26	604.1435	2999	3/4	1	12	7	18	15	13 1/2	10,000	4,050	28-0593	6"	
28	604.1435	3097	3/4	1	12	7	18	15	13 1/2	10,000	4,074	28-0593	6"	
30	604.1538	3289	3/4	1	12	7	18	15	13 1/2	10,000	4,123	28-0593	5"	
32	604.1538	3401	3/4	1	12	7	18	15	13 1/2	10,000	4,151	28-0593	5"	
34	604.1846	3801	3/4	1	12	7	18	15	13 1/2	10,000	4,251	28-0593	8"	
36	604.1846	4149	3/4	1	12	7	18	15	13 1/2	10,000	4,338	28-0593	6"	
38	604.1846	4275	3/4	1	12	7	18	15	13 1/2	10,000	4,369	28-0593	6"	
40	604.1846	4401	3/4	1	12	7	18	15	13 1/2	10,000	4,401	28-0593	6"	
42	604.2153	5320	3/4	1	12	7	18	15	13 1/2	10,000	4,630	28-0593	9"	
44	604.2153	5460	3/4	1	12	7	18	15	13 1/2	10,000	4,665	28-0593	9"	
46	604.2153	5924	3/4	1	12	7	18	15	13 1/2	10,000	4,781	28-0593	7"	
48	604.2153	6080	3/4	1	12	7	18	15	13 1/2	10,000	4,820	28-0593	7"	
50	605.2166	7627	3/4	1 1/2	12	8 1/2	18	17	15	20,000	2,604	28-0593	7"	
52	605.2166	7809	3/4	1 1/2	12	8 1/2	18	17	15	20,000	2,627	28-0593	7"	
54	605.2474	8403	3/4	1 1/2	12	8 1/2	18	17	15	20,000	2,701	28-0593	10"	
56	605.2474	8609	3/4	1 1/2	12	8 1/2	18	17	15	20,000	2,727	28-0593	8"	
58	605.2474	8815	3/4	1 1/2	12	8 1/2	18	17	15	20,000	2,752	28-0593	8"	

WARNING: Equipment described herein is not designed for and should not be used for lifting, supporting or transporting humans. Use of the equipment for this purpose can result in serious bodily injury and/or property damage.



**LOUDEN® 503 SINGLE GIRDER
MOTOR PROPELLED CRANES
WITH CENTER DRIVE**

503-4
Issued 9-7-01



NOTES:

1. Speeds shown are based on using 1800 R.P.M. motors.
2. Horsepowers shown are based on using single speed motors.
3. Available non-standard speeds are: 50, 110, 165, 190, 255 F.P.M.
4. Standard 2-speed motors are 1800/600 R.P.M.
5. Design load = Live load, plus 15% live load for impact, plus 2,000 lbs. for hoist and trolley.
6. Maximum permissible wheel load on 603 Supertrack and 604 type Supertrack Girder is 2,500 lbs. (5,000 lbs. per two-wheel trolley). For 605 Trojan Track Girder the limitation is 3,750 lbs. (7,500 lbs. per two-wheel trolley) when transferring through 505.7830 latch; 5,000 lbs. (10,000 lbs. per two-wheel trolley) when captive on bridge, or when used on Super-Trojan Track Runways. (Super-Trojan Track requires .7500 in. min. thickness of top flange, .4375 in. min. thickness of web, and splices must be welded rather than bolted.)
7. Weights shown are based on single speed drive with brake and controls, flat-wire festoon tagline bridge electrification, and 12" overhang each end of bridge.
8. Calculated for this crane.
9. B = Girder depth plus 2" (Trd. To Trd.)

Max. Span Ft.	Bridge Girder Required	Crane Weight (Lbs.)	Motor H.P.		OVERHANG					Truck Capacity (Max.)	Wheel Load Per Pair (8)	Idler Trl. Wheel & Axle	Dim. "C"
			Speed (F.P.M.)		In. Std.	In. Min.	In. Max.	505.7824 Latch	505.7830 Latch				
Catalog Number 503.6003			6,000 lbs. Capacity					8,900 lbs. Design Load⁽⁵⁾					
14	604.924	1807	¾	1	12	7	18	15	13 ½	10,000	4,903	28-0593	3"
16	604.1231	2154	¾	1	12	7	18	15	13 ½	10,000	4,989	28-0593	6"
18	604.1231	2665	¾	1	12	7	18	17	15	20,000	2,558	28-0593	4"
20	604.1231	2756	¾	1	12	8 ½	18	17	15	20,000	2,570	28-0593	4"
22	604.1435	2944	¾	1	12	8 ½	18	17	15	20,000	2,593	28-0593	6"
24	604.1435	3130	¾	1	12	8 ½	18	17	15	20,000	2,617	28-0593	6"
26	604.1538	3310	¾	1	12	8 ½	18	17	15	20,000	2,639	28-0593	7"
28	604.1538	3415	¾	1	12	8 ½	18	17	15	20,000	2,652	28-0593	7"
30	604.1846	3869	¾	1	12	8 ½	18	17	15	20,000	2,709	28-0593	8"
32	604.1846	4157	¾	1	12	8 ½	18	17	15	20,000	2,745	28-0593	8"
34	604.1846	4283	¾	1	12	8 ½	18	17	15	20,000	2,761	28-0593	8"
36	604.1846	4409	¾	1	12	8 ½	18	17	15	20,000	2,777	28-0593	6"
38	604.2153	4923	¾	1	12	8 ½	18	17	15	20,000	2,841	28-0593	9"
40	604.2153	5073	¾	1 ½	12	8 ½	18	17	15	20,000	2,860	28-0593	9"
42	604.2153	5213	¾	1 ½	12	8 ½	18	17	15	20,000	2,877	28-0593	9"
44	604.2153	5343	¾	1 ½	12	8 ½	18	17	15	20,000	2,893	28-0593	9"
46	605.2166	6845	¾	1 ½	12	8 ½	18	17	15	20,000	3,081	28-0593	7"
48	605.2166	7027	¾	1 ½	12	8 ½	18	17	15	20,000	3,104	28-0593	7"
50	605.2474	7787	¾	1 ½	12	8 ½	18	17	15	20,000	3,199	28-0593	10"
52	605.2474	7985	¾	1 ½	12	8 ½	18	17	15	20,000	3,224	28-0593	10"
54	605.2474	8183	¾	1 ½	12	8 ½	18	17	15	20,000	3,248	28-0593	10"
56	605.2785	9256	¾	1 ½	12	8 ½	18	17	15	20,000	3,382	28-0593	11"
58	605.2785	9484	¾	1 ½	12	8 ½	18	17	15	20,000	3,411	28-0593	11"

WARNING: Equipment described herein is not designed for and should not be used for lifting, supporting or transporting humans. Use of the equipment for this purpose can result in serious bodily injury and/or property damage.



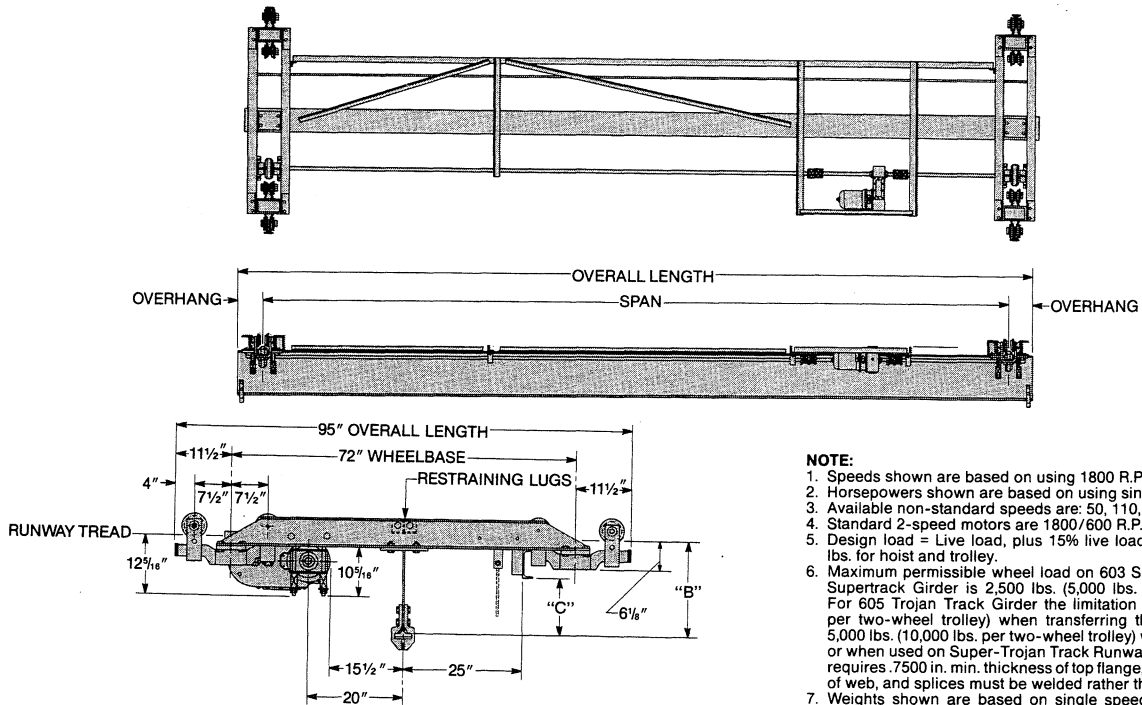
ACCO Material Handling Solutions
76 Acco Drive, Box 792, York, PA 17405-0792
717-741-4863, 800-967-7333, FAX 800-715-8897
E-mail: info@accomhs.com www.accomhs.com

© 2007 FKI Industries Inc.
Printed In USA



**LOUDEN® 503 SINGLE GIRDER
MOTOR PROPELLED CRANES
WITH CENTER DRIVE**

503-5
Issued 9-7-01



- NOTE:**
1. Speeds shown are based on using 1800 R.P.M. motors.
 2. Horsepowers shown are based on using single speed motors.
 3. Available non-standard speeds are: 50, 110, 165, 190, 255 F.P.M.
 4. Standard 2-speed motors are 1800/600 R.P.M.
 5. Design load = Live load, plus 15% live load for impact, plus 3,000 lbs. for hoist and trolley.
 6. Maximum permissible wheel load on 603 Supertrack and 604 type Supertrack Girder is 2,500 lbs. (5,000 lbs. per two-wheel trolley). For 605 Trojan Track Girder the limitation is 3,750 lbs. (7,500 lbs. per two-wheel trolley) when transferring through 505.7830 latch; 5,000 lbs. (10,000 lbs. per two-wheel trolley) when captive on bridge, or when used on Super-Trojan Track Runways. (Super-Trojan Track requires .7500 in. min. thickness of top flange, .4375 in. min. thickness of web, and splices must be welded rather than bolted.)
 7. Weights shown are based on single speed drive with brake and controls, flat-wire festoon tagline bridge electrification, and 12" overhang each end of bridge.
 8. Calculated for this crane.
 9. B = Girder depth plus 2" (Trd. To Trd.)

Max. Span Ft.	Bridge Girder Required	Crane Weight (Lbs.)	Motor H.P.		OVERHANG					Truck Capacity (Max.)	Wheel Load Per Pair (8)	Idler Trl. Wheel & Axle	Dim. "C"	
			Speed (F.P.M.)		In. Std.	In. Min.	In. Max.	505.7824 Latch	505.7830 Latch					
			75	135										
Catalog Number 503.10003			10,000 lbs. Capacity						14,500 lbs. Design Load⁽⁵⁾					
14	604.1231	2397	3/4	1 1/2	12	8 1/2	18	17	15	20,000	3,925	28-0593	6"	
16	604.1435	2670	3/4	1 1/2	12	8 1/2	18	17	15	20,000	3,959	28-0593	8"	
18	604.1538	2826	3/4	1 1/2	12	8 1/2	18	17	15	20,000	3,979	28-0593	7"	
20	604.1538	2931	3/4	1 1/2	12	8 1/2	18	17	15	20,000	3,992	28-0593	7"	
22	604.1846	3349	3/4	1 1/2	12	8 1/2	18	17	15	20,000	4,044	28-0593	10"	
24	604.1846	3470	3/4	1 1/2	12	8 1/2	18	17	15	20,000	4,059	28-0593	10"	
26	604.1846	3501	3/4	1 1/2	12	8 1/2	18	17	15	20,000	4,063	28-0593	10"	
28	604.2153	4147	3/4	1 1/2	12	8 1/2	18	17	15	20,000	4,144	28-0593	11"	
30	604.2153	4289	3/4	1 1/2	12	8 1/2	18	17	15	20,000	4,162	28-0593	11"	
32	604.2153	4431	3/4	1 1/2	12	8 1/2	18	17	15	20,000	4,179	28-0593	11"	
34	605.2166	5061	1	1 1/2	12	8 1/2	18	17	15	20,000	4,258	28-0593	11"	
36	605.2166	5249	1	1 1/2	12	8 1/2	18	17	15	20,000	4,282	28-0593	9"	
38	605.2166	5415	1	1 1/2	12	8 1/2	18	17	15	20,000	4,302	28-0593	9"	
40	605.2166	5581	1	1 1/2	12	8 1/2	18	17	15	20,000	4,323	28-0593	9"	
42	605.2474	6489	1	1 1/2	12	8 1/2	18	17	15	20,000	4,437	28-0593	12"	
44	605.2474	7019	1	1 1/2	12	8 1/2	18	17	15	20,000	4,503	28-0593	10"	
46	605.2474	7217	1	1 1/2	12	8 1/2	18	17	15	20,000	4,528	28-0593	10"	
48	605.2474	7415	1	1 1/2	12	8 1/2	18	17	15	20,000	4,552	28-0593	10"	
50	605.2785	8450	1	1 1/2	12	8 1/2	18	17	15	20,000	4,682	28-0593	13"	
52	605.2785	8670	1	1 1/2	12	8 1/2	18	17	15	20,000	4,709	28-0593	13"	
54	605.3089	9288	1	1 1/2	12	8 1/2	18	17	15	20,000	4,786	28-0593	14"	
56	605.3089	9524	1	1 1/2	12	8 1/2	18	17	15	20,000	4,816	28-0593	14"	

WARNING: Equipment described herein is not designed for and should not be used for lifting, supporting or transporting humans. Use of the equipment for this purpose can result in serious bodily injury and/or property damage.

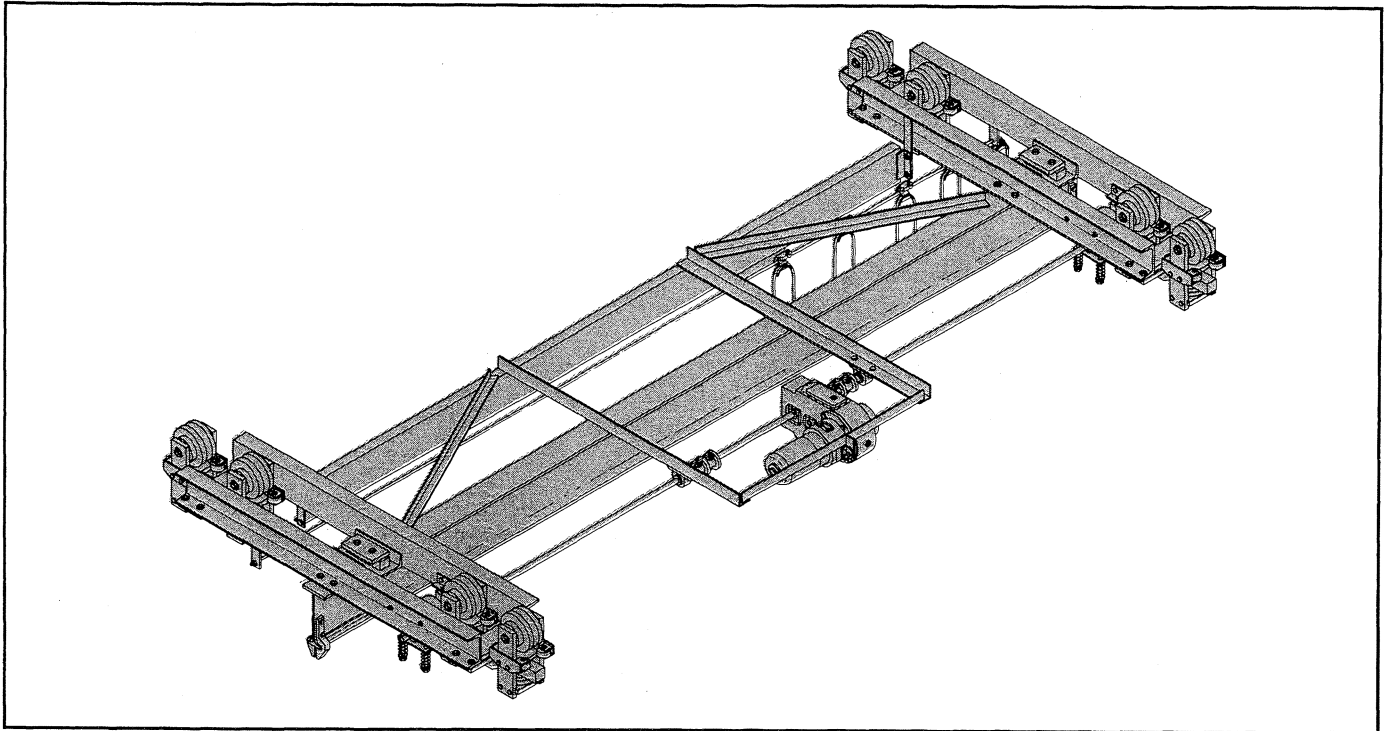


ACCO Material Handling Solutions
76 Acco Drive, Box 792, York, PA 17405-0792
717-741-4863, 800-967-7333, FAX 800-715-8897
E-mail: info@accomhs.com www.accomhs.com

© 2007 FKI Industries Inc.
Printed In USA



**Single Girder, Motor Propelled Cranes With Center Drive, To Operate on Two-Runways
of 605 Trojan Track Girder, 3.33" Operating Flange, For Use With Electric, Air, or Hand Chain Hoists**



The Louden Series 503T center drive crane is offered in capacities of 5 through 10 tons, with spans to 60 feet. Standard bridge speeds are 75 and 135 F.P.M., single speed. Optional travel speeds (single speed) are 50, 110, 165, 190, and 255 F.P.M. Other optional speeds are 2-speed and variable speed. High speeds listed above.

All speeds, except variable, will have adjustable torque and speed ramps through the use of the Acco Acceleration Control Module, a solid state device providing smooth bridge motion and excellent load control. Standard crane motors are T.E.N.V., 30 minute, with Class F insulation, 55 degree rise over 60 degree ambient. All crane motors will have an AC disc brake as standard.

Available current characteristics are 460/230 volts, 3 phase, 60 Hertz, with 115 volt control circuit.

The gear reducer utilizes Helical gears cut from solid blanks to AGMA specifications. All gears are supported at both ends of the gear shaft by tapered roller bearings, and are enclosed in an oil-tight housing and run in an oil bath.

The drive tires are spring loaded to the underside of the runways, enabling all load wheels to be idler wheels. Load wheels are drop forged and hardened to 425 Brinell minimum. Wheels are flangeless with guide rollers, 9 inch tread diameter, with tapered roller bearings.

Standard electrical equipment includes NEMA type 12 enclosure, a mainline magnetic contactor, manually operated fused mainline disconnect switch with lock out provision, branch circuit fuses, single speed magnetic reversing contactor, transformer with fused secondary, and flat wire festoon tagline bridge electrification. Festooning will consist of four power conductors and eight control conductors.

Each crane is custom designed to fit the structure from which it is to be supported. It is designed to meet or exceed the standards of the Monorail Manufacturers Association and ANSI specification #MH27.1-1996.

The 503T series crane is designed for Class C moderate service (as defined by the above ANSI standard).

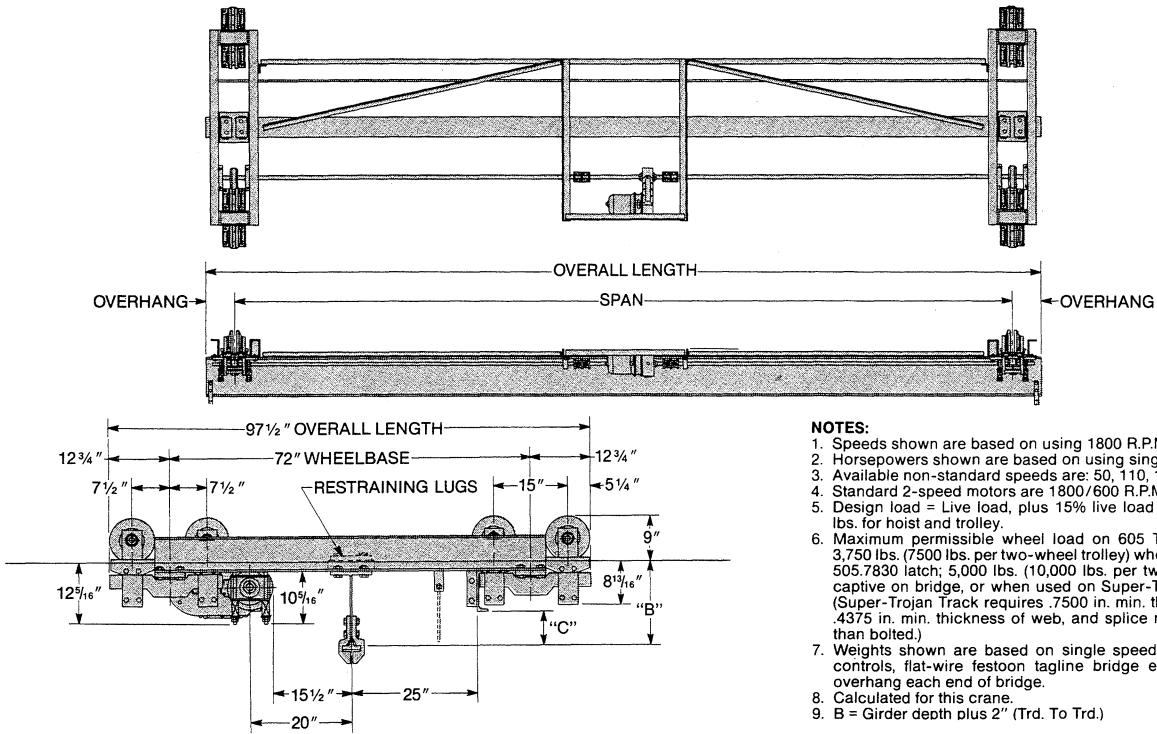
The crane is fully assembled before shipment, including the tagline festoon system, The crane will be painted with one coat of yellow lead free alkyd enamel.

WARNING: Equipment described herein is not designed for and should not be used for lifting, supporting or transporting humans. Use of the equipment for this purpose can result in serious bodily injury and/or property damage.



**LOUDEN® 503T SINGLE GIRDER
MOTOR PROPELLED CRANES
WITH CENTER DRIVE**

503T-2
Issued 9-7-01



- NOTES:**
1. Speeds shown are based on using 1800 R.P.M. motors.
 2. Horsepowers shown are based on using single speed motors.
 3. Available non-standard speeds are: 50, 110, 165, 190, 255 F.P.M.
 4. Standard 2-speed motors are 1800/600 R.P.M.
 5. Design load = Live load, plus 15% live load for impact, plus 3,000 lbs. for hoist and trolley.
 6. Maximum permissible wheel load on 605 Trojan Track Girder is 3,750 lbs. (7500 lbs. per two-wheel trolley) when transferring through 505.7830 latch; 5,000 lbs. (10,000 lbs. per two-wheel trolley) when captive on bridge, or when used on Super-Trojan Track Runways. (Super-Trojan Track requires .7500 in. min. thickness of top flange, .4375 in. min. thickness of web, and splice must be welded rather than bolted.)
 7. Weights shown are based on single speed drive with brake and controls, flat-wire festoon tagline bridge electrification, and 12" overhang each end of bridge.
 8. Calculated for this crane.
 9. B = Girder depth plus 2" (Trd. To Trd.)

Max. Span Ft.	Bridge Girder Required	Crane Weight (Lbs.)	Motor H.P.		OVERHANG					Truck Capacity (Max.)	Wheel Load Per Pair (8)	Idler Trl. Wheel & Axle	Dim. "C"	
			Speed (F.P.M.)		In. Std.	In. Min.	In. Max.	505.7824 Latch	505.7830 Latch					
			75	135										
Catalog Number 503T.10003			10,000 lbs. Capacity							14,500 lbs. Design Load⁽⁵⁾				
20	605.1543	4307	3/4	1 1/2	12	9 1/2	18	18	16	30,000	4,164	28-0589	7"	
22	605.1543	4559	3/4	1 1/2	12	9 1/2	18	18	16	30,000	4,195	28-0589	7"	
24	605.1543	4654	3/4	1 1/2	12	9 1/2	18	18	16	30,000	4,207	28-0589	7"	
26	605.1543	4749	3/4	1 1/2	12	9 1/2	18	18	16	30,000	4,219	28-0589	7"	
28	605.1850	5280	1	1 1/2	12	9 1/2	18	18	16	30,000	4,285	28-0589	8"	
30	605.1850	5416	1	1 1/2	12	9 1/2	18	18	16	30,000	4,302	28-0589	8"	
32	605.1850	5552	1	1 1/2	12	9 1/2	18	18	16	30,000	4,319	28-0589	8"	
34	605.2166	6313	1	1 1/2	12	9 1/2	18	18	16	30,000	4,415	28-0589	9"	
36	605.2166	6479	1	1 1/2	12	9 1/2	18	18	16	30,000	4,435	28-0589	9"	
38	605.2166	6645	1	1 1/2	12	9 1/2	18	18	16	30,000	4,456	28-0589	9"	
40	605.2166	6811	1	1 1/2	12	9 1/2	18	18	16	30,000	4,477	28-0589	9"	
42	605.2474	7721	1	1 1/2	12	9 1/2	18	18	16	30,000	4,591	28-0589	10"	
44	605.2474	7919	1	1 1/2	12	9 1/2	18	18	16	30,000	4,615	28-0589	10"	
46	605.2474	8117	1	1 1/2	12	9 1/2	18	18	16	30,000	4,640	28-0589	10"	
48	605.2474	8315	1	1 1/2	12	9 1/2	18	18	16	30,000	4,665	28-0589	10"	
50	605.2785	9250	1	1 1/2	12	9 1/2	18	18	16	30,000	4,782	28-0589	13"	
52	605.2785	9470	1	1 1/2	12	9 1/2	18	18	16	30,000	4,809	28-0589	13"	
54	605.3089	10,188	1	1 1/2	12	9 1/2	18	18	16	30,000	4,899	28-0589	14"	
56	605.3089	10,424	1	1 1/2	12	9 1/2	18	18	16	30,000	4,928	28-0589	14"	
58	605.3292	10,859	1	1 1/2	12	9 1/2	18	18	16	30,000	4,983	28-0589	16"	
60	605.3292	11,101	1	1 1/2	12	9 1/2	18	18	16	30,000	5,013	28-0589	16"	

WARNING: Equipment described herein is not designed for and should not be used for lifting, supporting or transporting humans. Use of the equipment for this purpose can result in serious bodily injury and/or property damage.



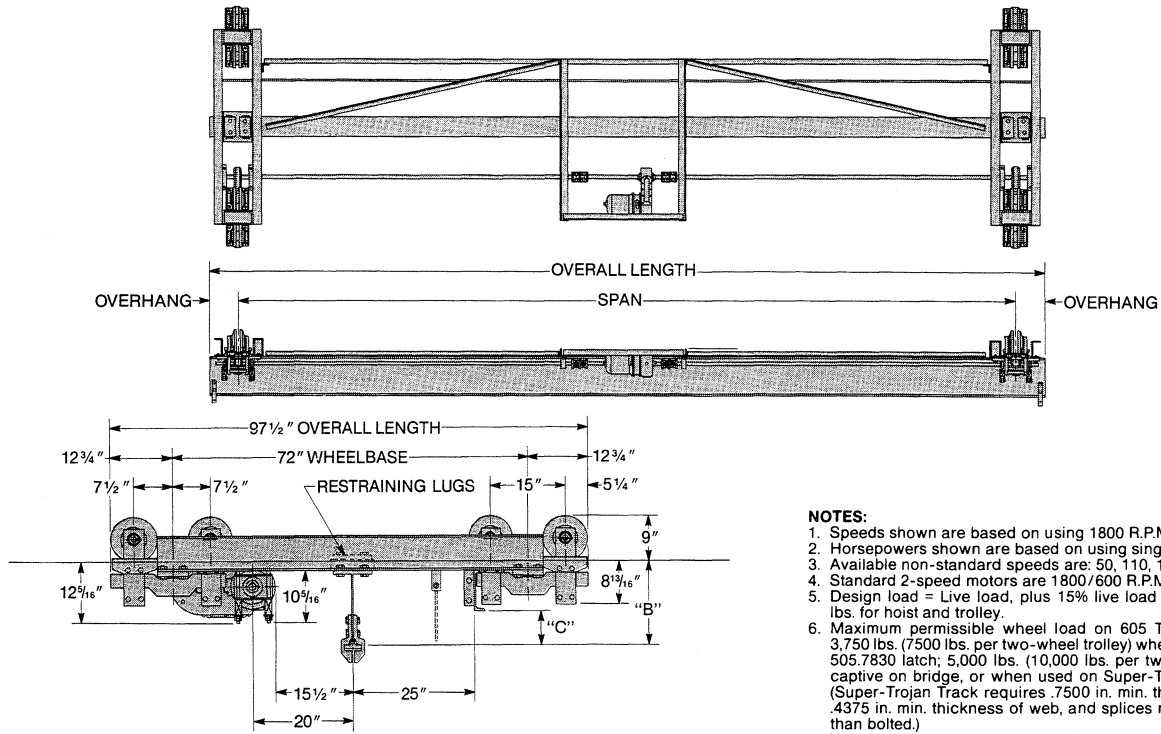
ACCO Material Handling Solutions
76 Acco Drive, Box 792, York, PA 17405-0792
717-741-4863, 800-967-7333, FAX 800-715-8897
E-mail: info@accomhs.com www.accomhs.com

© 2007 FKI Industries Inc.
Printed In USA



**LOUDEN® 503T SINGLE GIRDER
MOTOR PROPELLED CRANES
WITH CENTER DRIVE**

503T-3
Issued 9-7-01



- NOTES:**
1. Speeds shown are based on using 1800 R.P.M. motors.
 2. Horsepowers shown are based on using single speed motors.
 3. Available non-standard speeds are: 50, 110, 165, 190, 255 F.P.M.
 4. Standard 2-speed motors are 1800/600 R.P.M.
 5. Design load = Live load, plus 15% live load for impact, plus 3,100 lbs. for hoist and trolley.
 6. Maximum permissible wheel load on 605 Trojan Track Girder is 3,750 lbs. (7500 lbs. per two-wheel trolley) when transferring through 505.7830 latch; 5,000 lbs. (10,000 lbs. per two-wheel trolley) when captive on bridge, or when used on Super-Trojan Track Runways. (Super-Trojan Track requires .7500 in. min. thickness of top flange, .4375 in. min. thickness of web, and splices must be welded rather than bolted.)
 7. Weights shown are based on single speed drive with brake and controls, flat-wire festoon tagline bridge electrification, and 12" overhang each end of bridge.
 8. Calculated for this crane.
 9. B = Girder depth plus 2" (Trd. To Trd.)

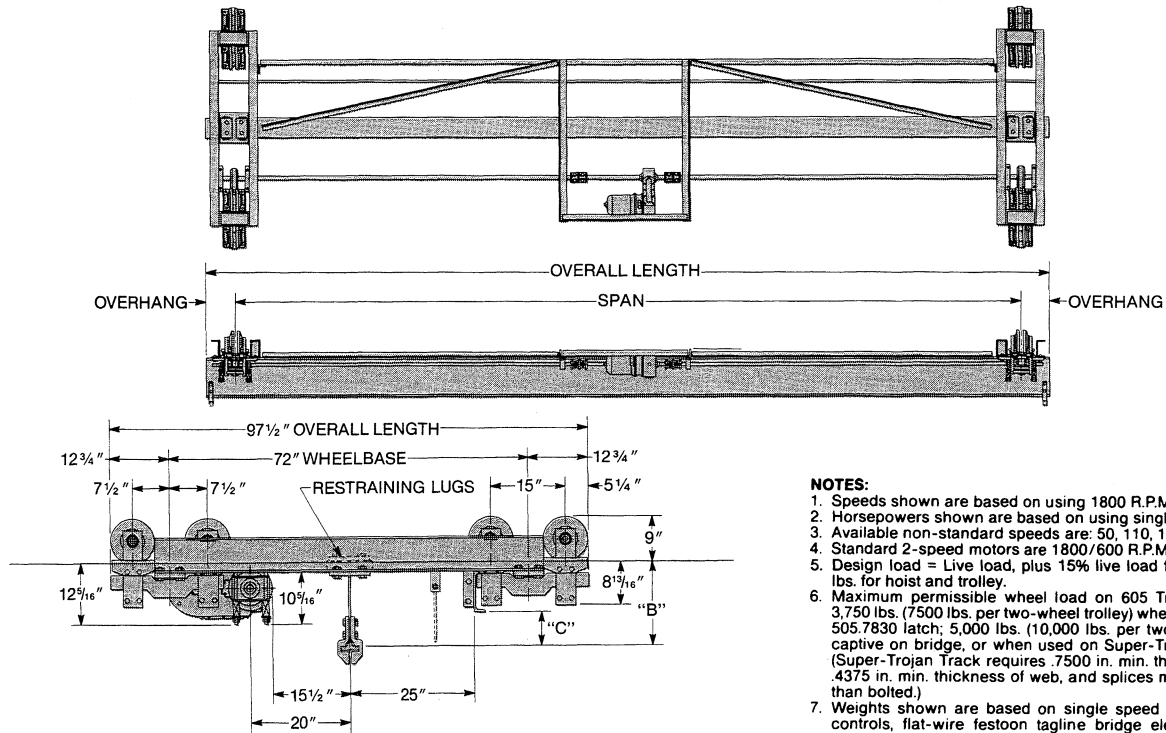
Max. Span Ft.	Bridge Girder Required	Crane Weight (Lbs.)	Motor H.P.		OVERHANG				Truck Capacity (Max.)	Wheel Load Per Pair (8)	Idler Trl. Wheel & Axle	Dim. "C"
			Speed (F.P.M.)		In. Std.	In. Min.	In. Max.	505.7830 Latch				
Catalog Number 503T.15003			15,000 lbs. Capacity						20,350 lbs. Design Load⁽⁵⁾			
16	605.1543	4105	1	1 1/2	12	9 1/2	18	16	30,000	5,601	28-0589	7"
18	605.1543	4220	1	1 1/2	12	9 1/2	18	16	30,000	5,615	28-0589	7"
20	605.1543	4369	1	1 1/2	12	9 1/2	18	16	30,000	5,634	28-0589	7"
22	605.1850	4652	1	1 1/2	12	9 1/2	18	16	30,000	5,669	28-0589	10"
24	605.1850	4781	1	1 1/2	12	9 1/2	18	16	30,000	5,686	28-0589	10"
26	605.2166	5582	1	1 1/2	12	9 1/2	18	16	30,000	5,786	28-0589	11"
28	605.2166	5750	1	1 1/2	12	9 1/2	18	16	30,000	5,807	28-0589	11"
30	605.2166	5918	1	1 1/2	12	9 1/2	18	16	30,000	5,828	28-0589	11"
32	605.2474	6378	1	2	12	9 1/2	18	16	30,000	5,885	28-0589	14"
34	605.2474	6615	1	2	12	9 1/2	18	16	30,000	5,915	28-0589	12"
36	605.2474	6797	1	2	12	9 1/2	18	16	30,000	5,938	28-0589	12"
38	605.2474	6979	1	2	12	9 1/2	18	16	30,000	5,960	28-0589	12"
40	605.2474	7161	1	2	12	9 1/2	18	16	30,000	5,983	28-0589	12"
42	605.2785	8257	1	2	12	9 1/2	18	16	30,000	6,120	28-0589	13"
44	605.2785	8461	1	2	12	9 1/2	18	16	30,000	6,146	28-0589	13"
46	605.2785	8665	1	2	12	9 1/2	18	16	30,000	6,171	28-0589	13"
48	605.2785	8885	1	2	12	9 1/2	18	16	30,000	6,199	28-0589	13"
50	605.3089	9469	1 1/2	2	12	9 1/2	18	16	30,000	6,272	28-0589	16"
52	605.3089	9697	1 1/2	2	12	9 1/2	18	16	30,000	6,300	28-0589	16"
54	605.3292	10,103	1 1/2	2	12	9 1/2	18	16	30,000	6,351	28-0589	18"

WARNING: Equipment described herein is not designed for and should not be used for lifting, supporting or transporting humans. Use of the equipment for this purpose can result in serious bodily injury and/or property damage.



**LOUDEN® 503T SINGLE GIRDER
MOTOR PROPELLED CRANES
WITH CENTER DRIVE**

503T-4
Issued 9-7-01



NOTES:

1. Speeds shown are based on using 1800 R.P.M. motors.
2. Horsepowers shown are based on using single speed motors.
3. Available non-standard speeds are: 50, 110, 165, 190, 255 F.P.M.
4. Standard 2-speed motors are 1800/600 R.P.M.
5. Design load = Live load, plus 15% live load for impact, plus 3,200 lbs. for hoist and trolley.
6. Maximum permissible wheel load on 605 Trojan Track Girder is 3,750 lbs. (7,500 lbs. per two-wheel trolley) when transferring through 505.7830 latch; 5,000 lbs. (10,000 lbs. per two-wheel trolley) when captive on bridge, or when used on Super-Trojan Track Runways. (Super-Trojan Track requires .7500 in. min. thickness of top flange, .4375 in. min. thickness of web, and splices must be welded rather than bolted.)
7. Weights shown are based on single speed drive with brake and controls, flat-wire festoon tagline bridge electrification, and 12" overhang each end of bridge.
8. Calculated for this crane.
9. B = Girder depth plus 2" (Trd. To Trd.)

Max. Span Ft.	Bridge Girder Required	Crane Weight (Lbs.)	Motor H.P.		OVERHANG				Truck Capacity (Max.)	Wheel Load Per Pair (8)	Idler Trl. Wheel & Axle	Dim. "C"
			Speed (F.P.M.)		In. Std.	In. Min.	In. Max.	505.7830 Latch				
Catalog Number 503T.20003			20,000 lbs. Capacity						26,200 lbs. Design Load ⁽⁵⁾			
14	605.1543	3882	1 1/2	2	12	9 1/2	18	16	30,000	7,036	28-0589	9"
16	605.1850	4243	1 1/2	2	12	9 1/2	18	16	30,000	7,081	28-0589	10"
18	605.1850	4372	1 1/2	2	12	9 1/2	18	16	30,000	7,097	28-0589	10"
20	605.1850	4501	1 1/2	2	12	9 1/2	18	16	30,000	7,113	28-0589	10"
22	605.2166	5252	1 1/2	2	12	9 1/2	18	16	30,000	7,207	28-0589	13"
24	605.2166	5420	1 1/2	2	12	9 1/2	18	16	30,000	7,228	28-0589	13"
26	605.2166	5588	1 1/2	2	12	9 1/2	18	16	30,000	7,249	28-0589	13"
28	605.2474	6030	1 1/2	2	12	9 1/2	18	16	30,000	7,304	28-0589	14"
30	605.2474	6214	1 1/2	2	12	9 1/2	18	16	30,000	7,327	28-0589	14"
32	605.2474	6398	1 1/2	2	12	9 1/2	18	16	30,000	7,350	28-0589	14"
34	605.2785	7048	1 1/2	2	12	9 1/2	18	16	30,000	7,431	28-0589	15"
36	605.2785	7252	1 1/2	2	12	9 1/2	18	16	30,000	7,457	28-0589	15"
38	605.2785	7456	1 1/2	2	12	9 1/2	18	16	30,000	7,482	28-0589	15"
40	605.2785	8338	1 1/2	2	12	9 1/2	18	16	40,000	7,593	28-0665	15"
42	605.3089	8734	1 1/2	2	12	9 1/2	18	16	40,000	7,642	28-0665	18"
44	605.3089	8962	1 1/2	2	12	9 1/2	18	16	40,000	7,671	28-0665	18"
46	605.3089	9207	1 1/2	2	12	9 1/2	18	16	40,000	7,701	28-0665	16"
48	605.3292	9585	1 1/2	2	12	9 1/2	18	16	40,000	7,749	28-0665	18"

WARNING: Equipment described herein is not designed for and should not be used for lifting, supporting or transporting humans. Use of the equipment for this purpose can result in serious bodily injury and/or property damage.

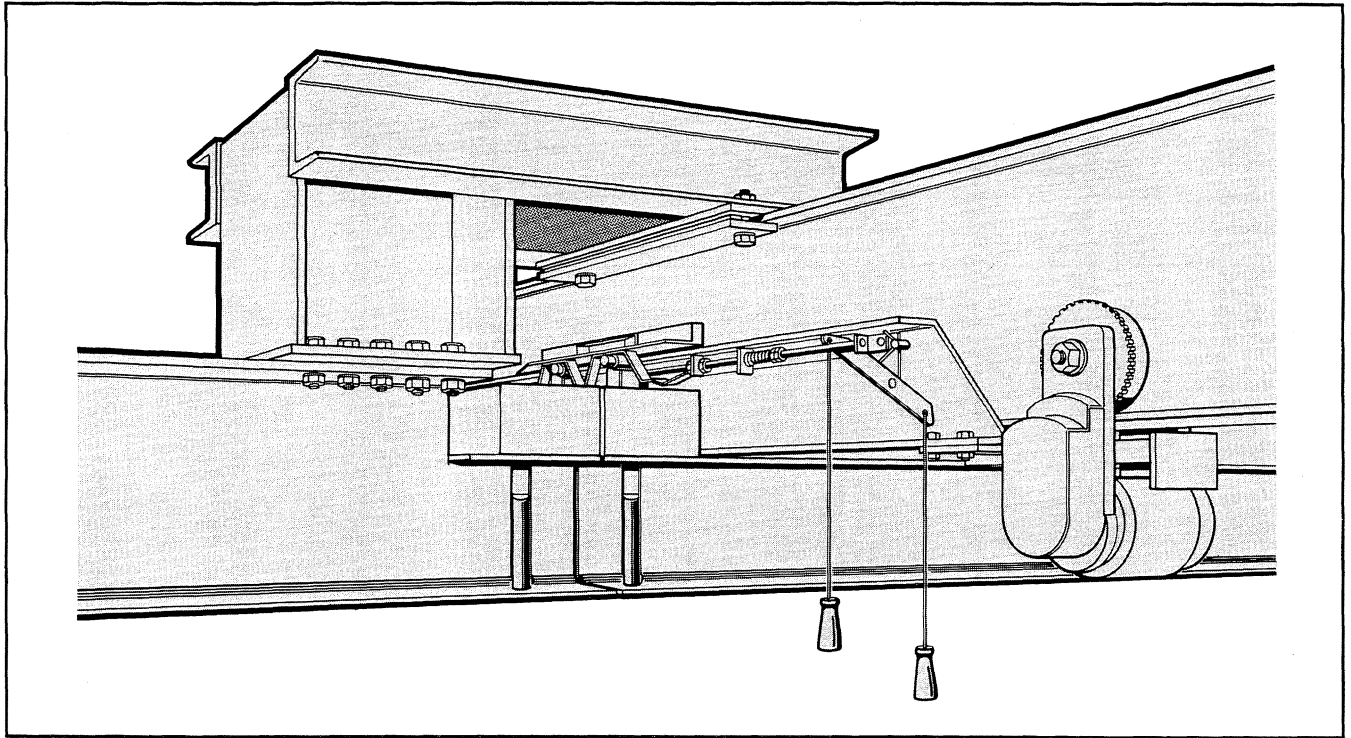


ACCO Material Handling Solutions
76 Acco Drive, Box 792, York, PA 17405-0792
717-741-4863, 800-967-7333, FAX 800-715-8897
E-mail: info@accomhs.com www.accomhs.com

© 2007 FKI Industries Inc.
Printed In USA

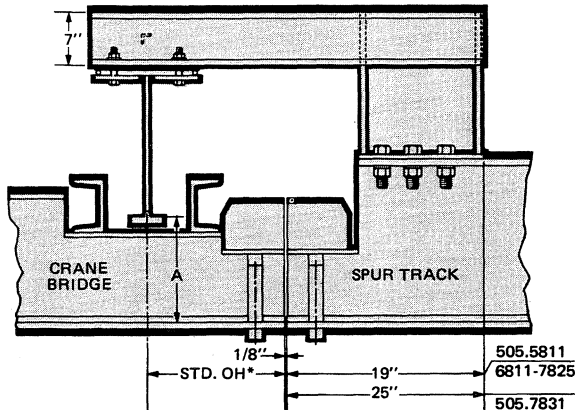


TRACK SUPPORTS

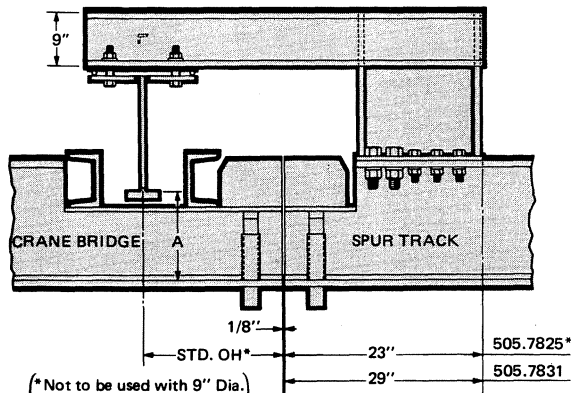


DATA:

Spur Track Supports using No. 505.5811 (2" Fig) —
No. 505.6811 (3.33" Fig) and No. 505.7825 Latch Blocks.

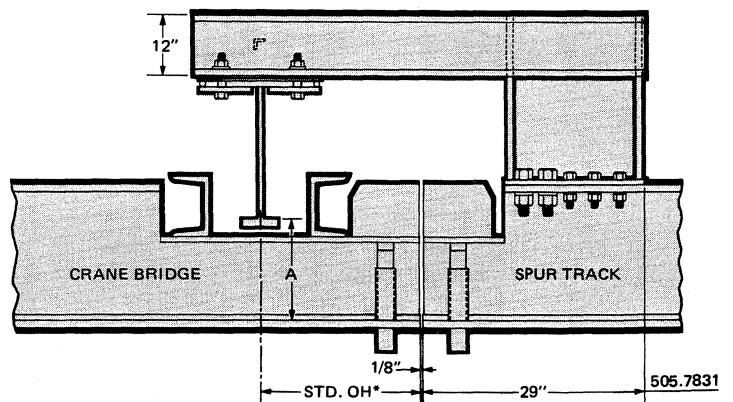


NO. 504.3



(* Not to be used with 9" Dia. Wheels Running on Bridge.)

NO. 504.12



NO. 504.15

504.3 TO AND INCLUDING 3 TON 504.12 TO AND INCLUDING 5 TON 504.15 TO AND INCLUDING 7½ TON

A spur track support is used to provide smooth passage of trolley wheels over the transfer joint from crane to monorail. They are constructed of heavy structural steel members welded together in accordance with the best shop practice by certified welders. Since the end of the spur track is supported on the crane runway, any deflections at the ends of the crane bridge and spur track are equalized. No other support of the spur track should be provided close to the spur track support since such a support would upset its equalizing effect. Where the layout calls for the spur track to curve immediately adjacent to the crane runway, a spur track support is not feasible; but the superstructure supporting the curve should be arranged so that it bears on the runway and gives the same equalizing effect as the spur track support.



GUIDE TO TREAD TO TREAD DIMENSIONS AND OVERHANGS ON CRANES WITH LATCHES OR LATCH BLOCKS

LATCH NO.	CRANE SERIES	NUMBER OF WHEELS ON TRUCK	TREAD/TREAD "A"	MINIMUM OVERHANG W/LATCH	MINIMUM OVERHANG W/LATCH LATCH BLOCK	MAXIMUM OVERHANG W/LATCH OR LATCH BLOCK
5810/6810	551 Non-Electrified	4	10"	12"	12"	18"
7824	551 Electrified 604.922 BRI	4	1'-1¼"	12"	12"	18"
7824	551-E 603.6 Bri 603.7 Bri	4	1'-0½"	12"	12"	18"
7824	552 Electrified	4	See Note #2	15"	15"	18"
7824	552 Electrified	8	See Note #2	17"	17"	18"
7824	503	4 8	See Note #2	15" 17"	15" 17"	18"
7824	503-T 5 Ton Cap. Only	8	See Note #2	18"	18"	18"
7824	517	8 16	See Note #2	15" 17"	15" 17"	18"
7824	517-T 5 Ton Cap. Only	8 16	See Note #2	18"	18"	18"
7824	585	4 8	See Note #2	14" 16½"	14" 16½"	18"
7824	586	8 16	See Note #2	14" 16½"	14" 16½"	18"
7830	503-T 517-T	8 16	See Note #3	16"	16"	18"

NOTES:

1. **Standard overhang** at latch end of crane is 18" for all models of cranes and latches.
2. The following are the tread to tread dimensions for the designated bridge girder depths. (505.7824/7825 manual latches)

604.9	11"
604.12	14"
605.12	14"
604.14	16"
15" Depth Bridge	17"

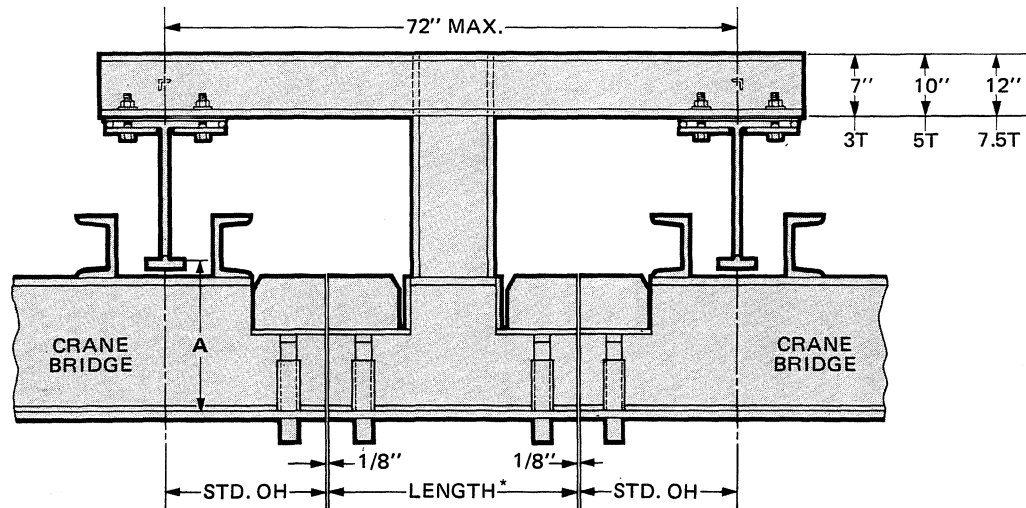
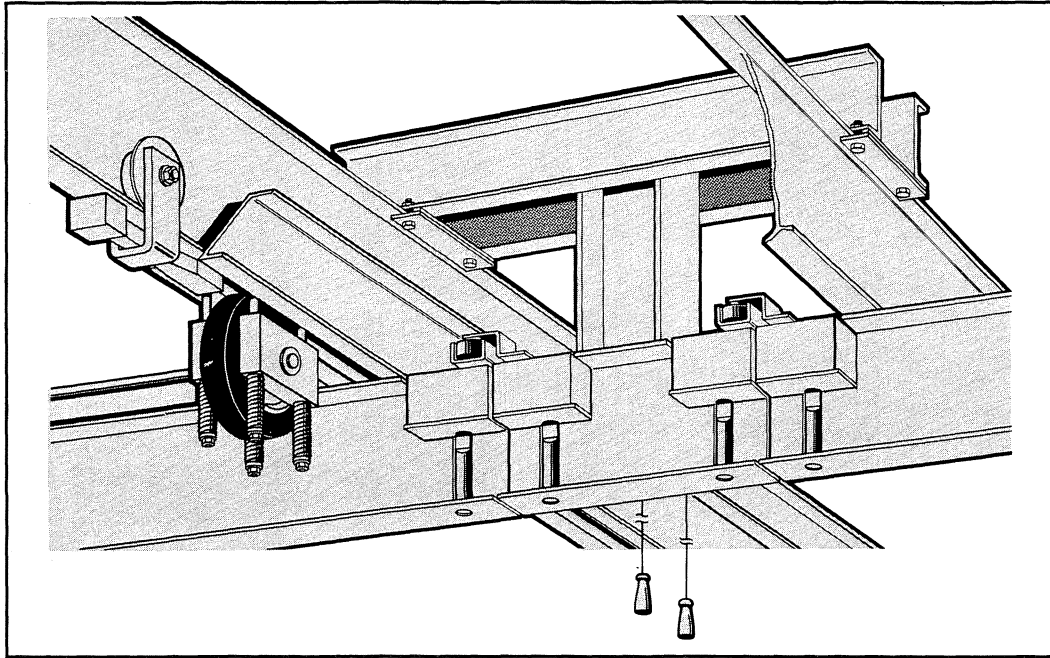
 Girders and Greater
3. Tread to tread dimension for cranes with #505.7830 motor operated latches -*SuperTrack* Girder or *TrojanTrack* bridges.

4½" diameter wheels running on bridge	14"
<i>TrojanTrack</i> with 9" diameter wheels running on bridge	17"
4. Applications requiring overhangs in excess of 18"; consult estimating.





TRANSFER SECTIONS



504.5 - 504.28 - 504.30 TRANSFER SECTIONS

CAPACITIES:

- No. 504.5 to and including 3 Ton
- No. 504.28 to and including 5 Ton
- No. 504.30 to and including 7½ Ton

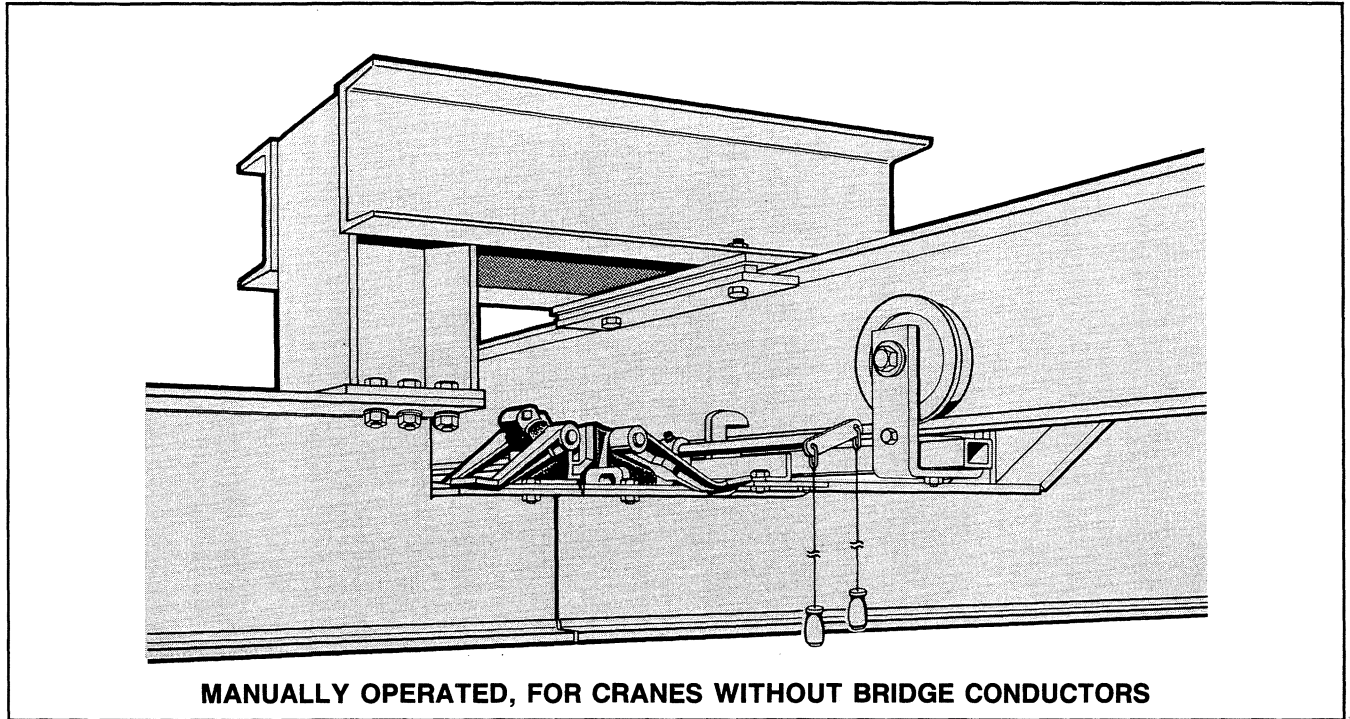
*MINIMUM LENGTH:

- 18" with No. 505.5811 and No. 505.6811 latch blocks.
- 24" with No. 505.7825 latch blocks.
- 18" with No. 505.7831 latch blocks.





551 NON-ELECTRIFIED • 552 NON-ELECTRIFIED CRANE LATCHES



FEATURES:

The baffles on both the latch and block cannot be raised until the bridge and spur are aligned. It is a function of the latch plunger to raise the baffles on the block and at the same time actuate the arm shown protruding above the block which, in turn, moves downward to raise the baffles on the latch.

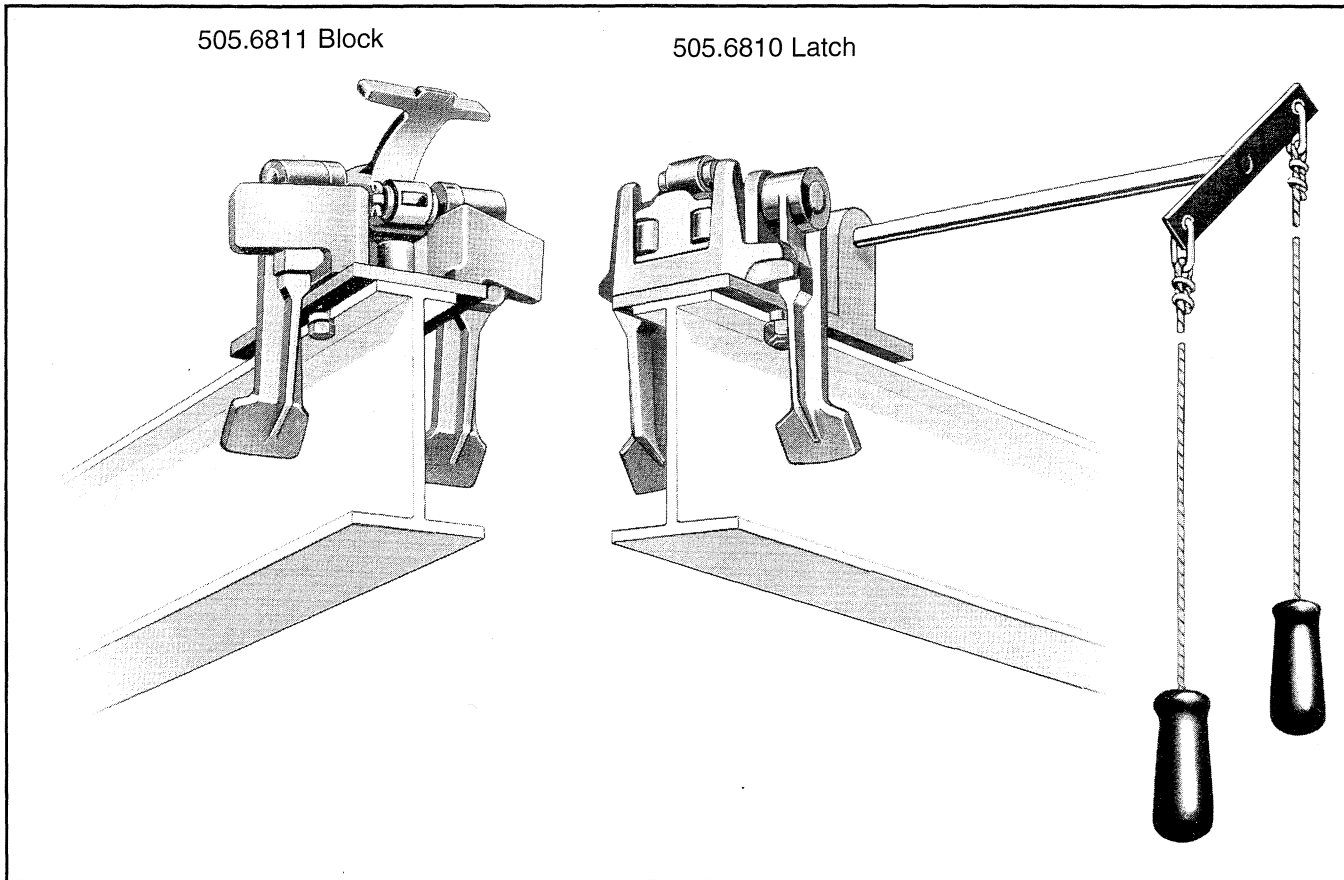
The #505.6810 latch for 3.33" operating flange SUPERTRACK or the #505.5810 latch for 2" operating flange SUPERTRACK, is designed for use with hand propelled non-electrified systems.

The 505.5810/6810 latch assembly is designed specifically for moderate duty.



CRANE LATCHES

MANUALLY OPERATED • FOR CRANES WITHOUT BRIDGE CONDUCTORS



Cat. No. 505.6811 Latch Block with 3.33" Operating Flange.

Cat. No. 505.5811 Latch Block with 2" Operating Flange.

OPERATION. With the operating mechanism in the "unlatched" position, the latch plunger is retracted within the latch housing and the end of the bridge is free to pass the spur track without the plunger striking the block or the baffles being disturbed.

When the operator desires to align and latch with the spur track, he pulls the rope throwing the operating mechanism to the "latching" position so that the latch

Cat. No. 505.6810 Latch with 3.33" Operating Flange.

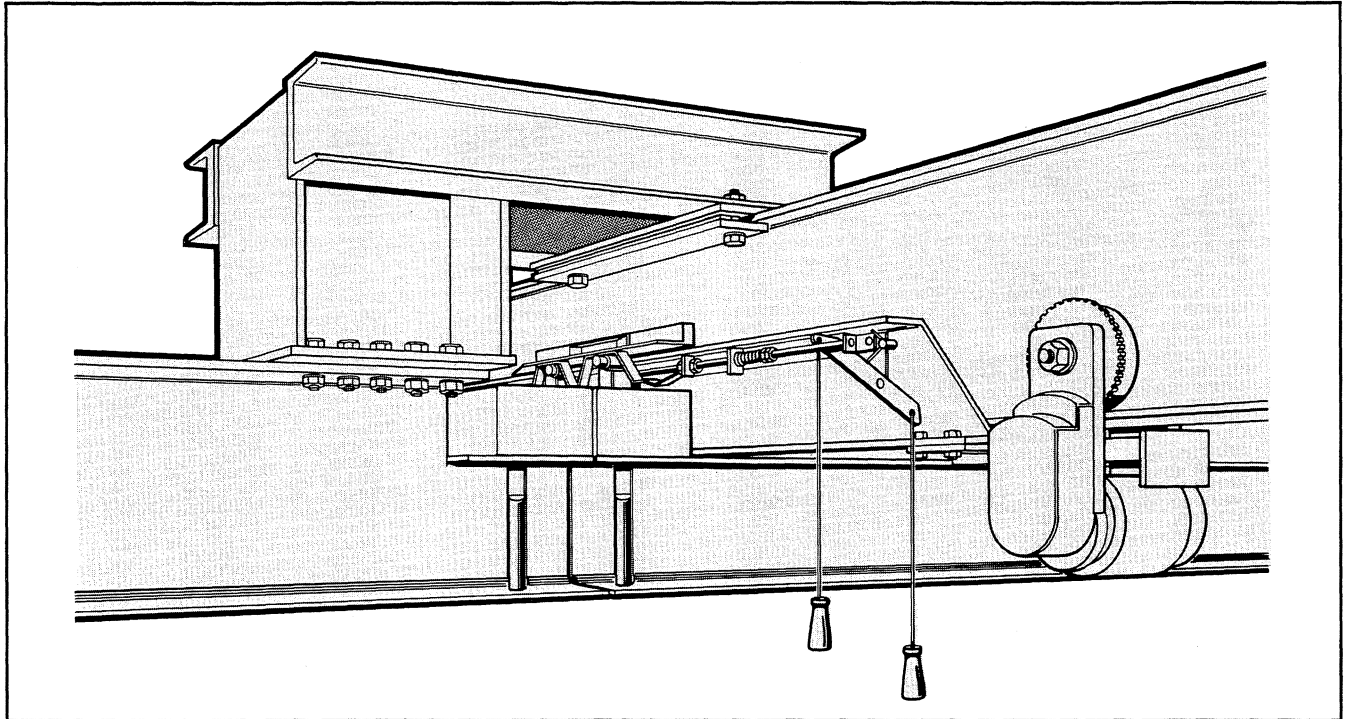
Cat. No. 505.5810 Latch with 2" Operating Flange.

plunger protrudes from the housing, then approaches the spur slowly. If the bridge is moving too fast, the plunger will not register in the block, but will permit the end of the bridge to pass the spur. If the bridge is moving at slow speed, the plunger will register in the block and the latching operation will be completed automatically under spring pressure. This action also raises the baffles on both the latch and block.





CRANE LATCHES



Above illustration shows the No. 505.7824 Latch on the crane aligned and latched with the No. 504.7825 Latch Block on spur track.

FEATURES:

The baffles cannot be raised unless the bridge and spur are in alignment and as described in the paragraph under Operation, this is accomplished only by an extra pull on the rope. This latching operation is positive and fool-proof, it is not dependent on the spring action.

End alignment and spacing is assured and maintained by the roller and guide on top of the latch and block.

Horizontal and vertical alignment of the bridge and spur is assured even under load because of the close fit of the heavy main latch pin when mated with the latch block.

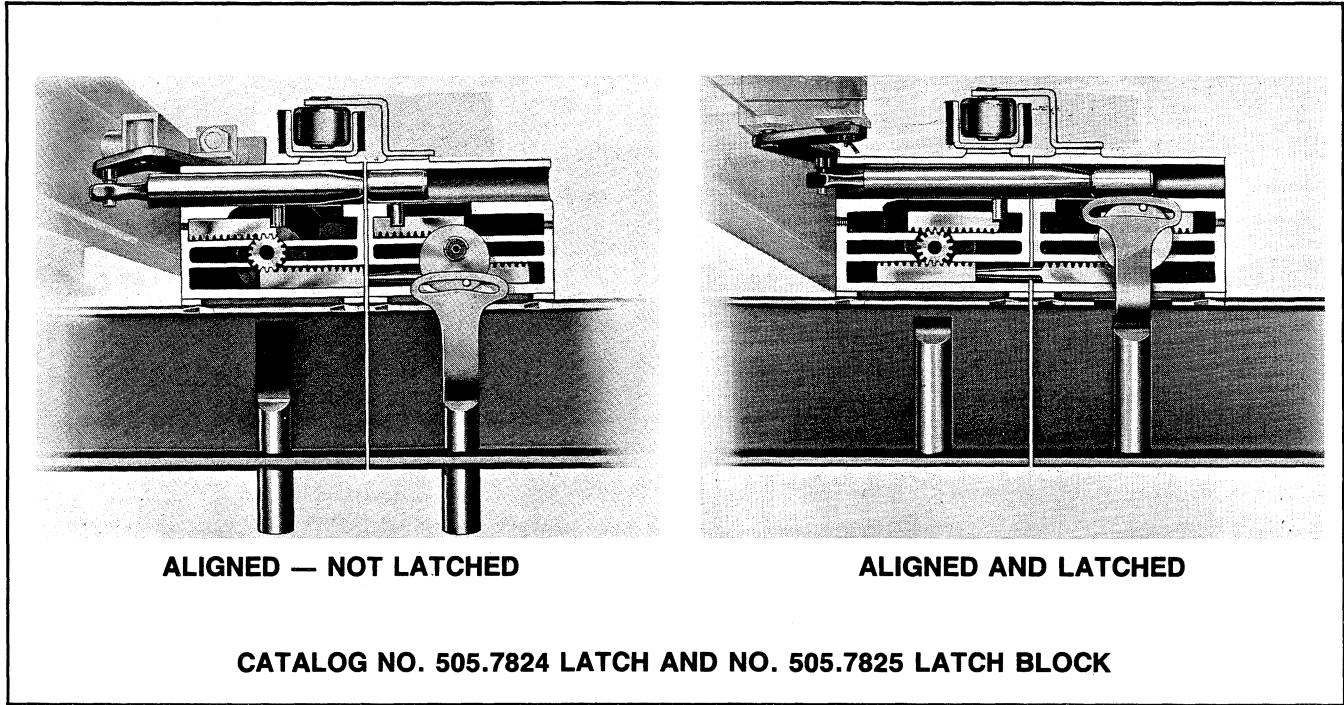
The latch pin cannot be fully withdrawn until baffles are lowered to safe position. This prevents unlatching and moving the crane away from the spur with the trolley parked in an unsafe position at the extreme latch end of the bridge or spur.

An under the rail baffle engages the trolley bumper eliminating the possibility of damaging wheel bearings and connecting pins.



CRANE LATCHES

MANUALLY OPERATED • FOR CRANES WITH BRIDGE CONDUCTORS



OPERATION:

With the operating mechanism in the unlatched position, the latch is retracted within the latch housing and the end of the bridge is free to pass the spur track without the plunger striking the block or the baffles being disturbed.

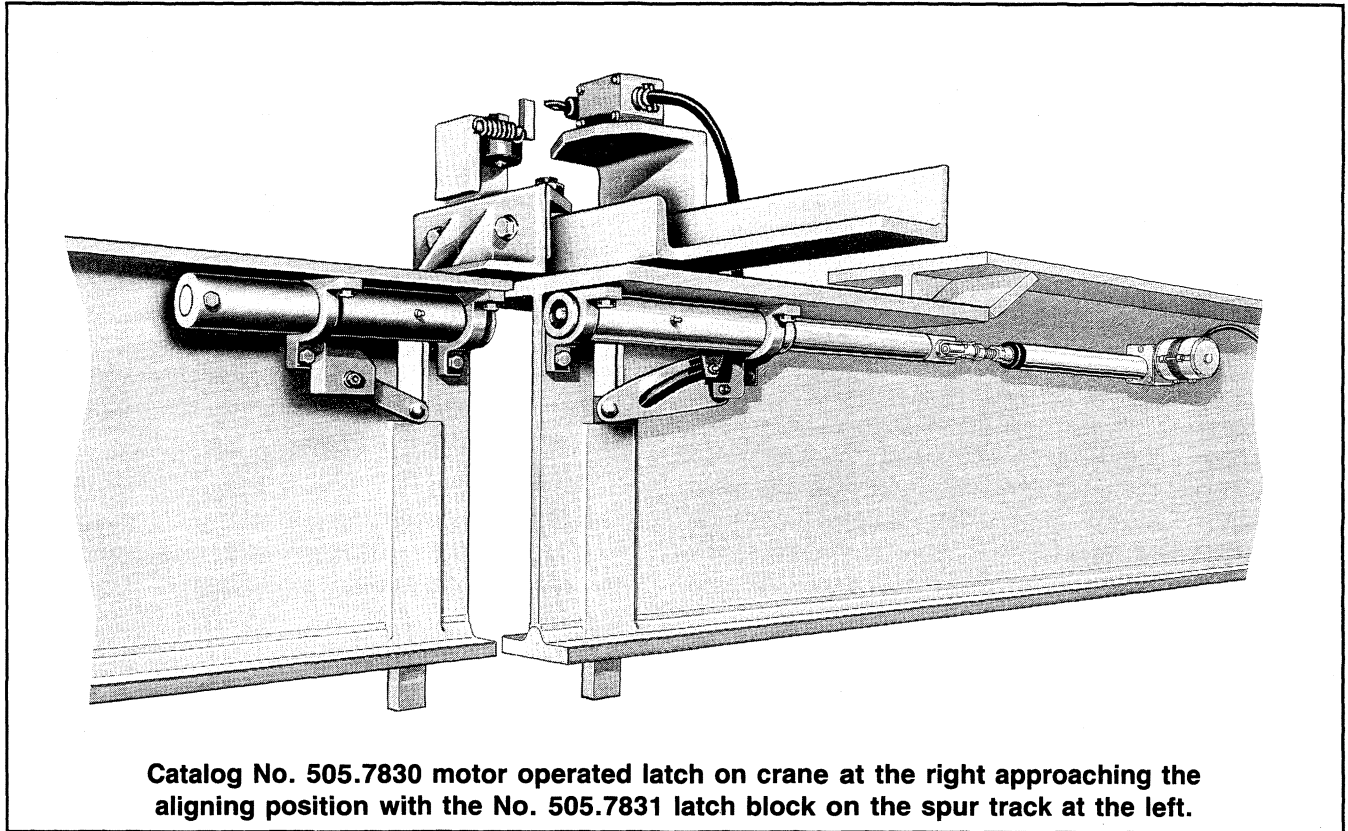
When the operator desires to align and latch with the spur track or transfer section, he moves the crane into position and by visual means aligns the crane with the spur track or transfer section. When the operator is satisfied that the two ends are aligned he completes the latching procedure by pulling on the rope actuating the operating mechanism so that the plunger will register in the block completing the latching operation.

When the transfer operation is completed the operator pulls on the rope which disengages the plunger from the latch block, the baffles are lowered and the crane is free to traverse.



CRANE LATCHES

MOTOR OPERATED, FOR MOTOR PROPELLED CRANES



FEATURES:

ALIGNMENT: The motor operated latch assembly is equipped with a flared guide channel which works in conjunction with a heavy duty guide roller mounted on the latch block. This arrangement will either pull together or force apart the ends of the crane bridge and spur track/transfer section. This arrangement assures proper gap spacing, therefore, preventing the stubbing of the two track ends.

Located directly above the guide roller and channel guide is a centering limit switch and cam device. The end of the crane and the end of the spur track/transfer section must be aligned horizontally before the contacts on the limit switch are closed. Until this alignment is accomplished and the limit switch is closed, the latch motor circuit is inoperative, preventing the operator from extending the latch pin.

Without additional bridge conductors, the centering limit switch can also be used to energize an indicating light circuit to give the operator a signal the crane is properly aligned for latching. The signal light can be mounted on the crane itself, in the operator's cab, or as an integral part of a pendant station.

SAFETY CIRCUIT: The latch should be provided with a safety circuit when: a crane is latched to a spur track; two cranes in adjacent bays are latched to the same transfer section; two cranes are directly interlocked end to end and there are two or more carriers operating on these cranes. Unlatching the cranes while there is a carrier on the transfer section or astraddle the interlock joint is prevented.

OPERATION: On floor controlled cranes the latch is controlled from a pendant pushbutton station. The pendant may be suspended from the crane structure itself or from the hoist carrier operating on the bridge. For the latter, additional bridge conductors and carrier collectors are required for the pilot circuits controlling the operation.

On cab operated carriers the pushbuttons are located in the cab. The requirement for additional control conductors and collectors is the same as for floor controlled units, depending on whether the cab is mounted on the carrier or on the crane itself.



CRANE LATCHES

OPERATION (Cont'd.)

When the operator has aligned the crane with the spur or transfer section, he actuates the linear motor by depressing the latch pushbutton. The linear motor exerts sufficient force to cause the tapered pin, as it is driven into the latch block tube, to pull the ends of the two tracks into horizontal and vertical alignment for passage of the loaded trolleys across the gap.

A lug and cam roller on the latch pin operates a pivoted and slotted cam lever which is, in turn, connected to the upper end of the baffle bar. The stroke of the latch pin in a horizontal plane is transferred to a vertical motion in the baffle bar, sufficient to withdraw the baffle bar flush with the underside of the track. As the latch pin is driven forward, it enters the latch block guide tube and contacts the latch block pin which is forced back against a coil spring at the closed rear end. The latch

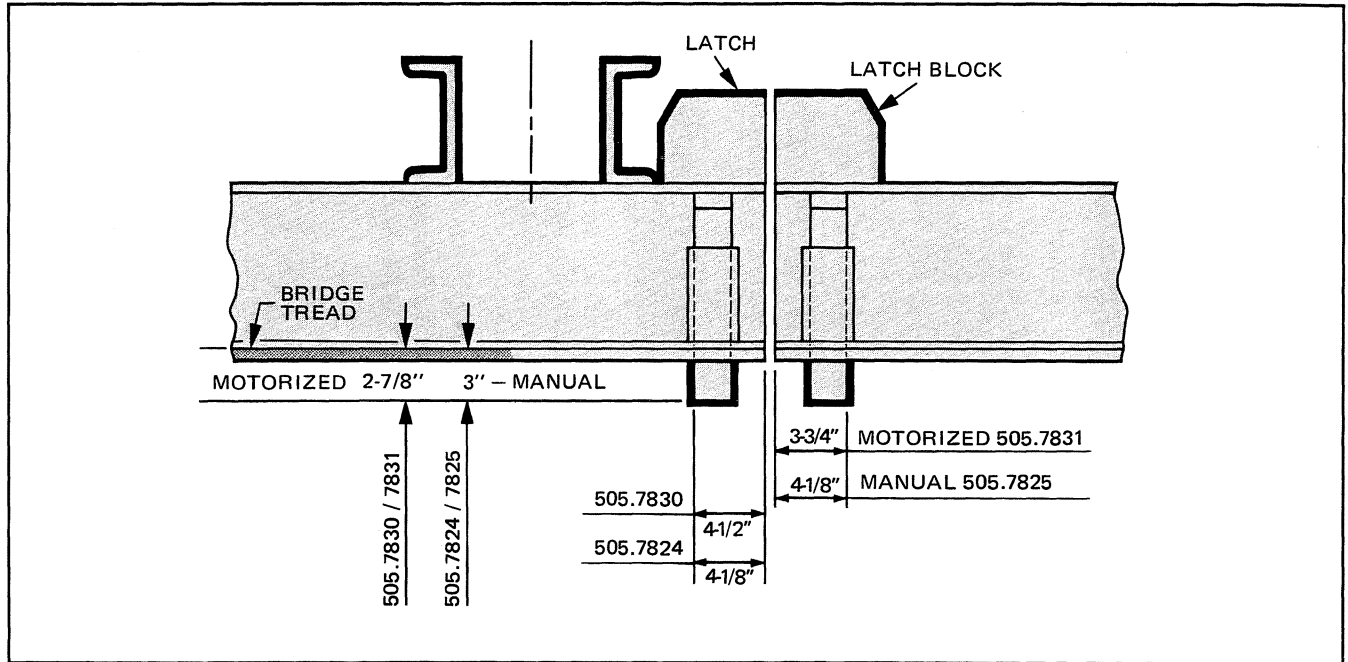
block pin is connected to a bell crank, the opposite end of which is, in turn, connected to the upper end of the latch block baffle. The baffle is raised in the same fashion as that for the latch itself.

The unlatching operation is set in operation by depressing the "unlatch" button and the function of the latch and block and block parts is the reverse of that described above for latching. The baffle on the latch is forced down by the motor and it's connecting system of levers, while the baffle on the block is driven by the coil spring behind the latch block pin.

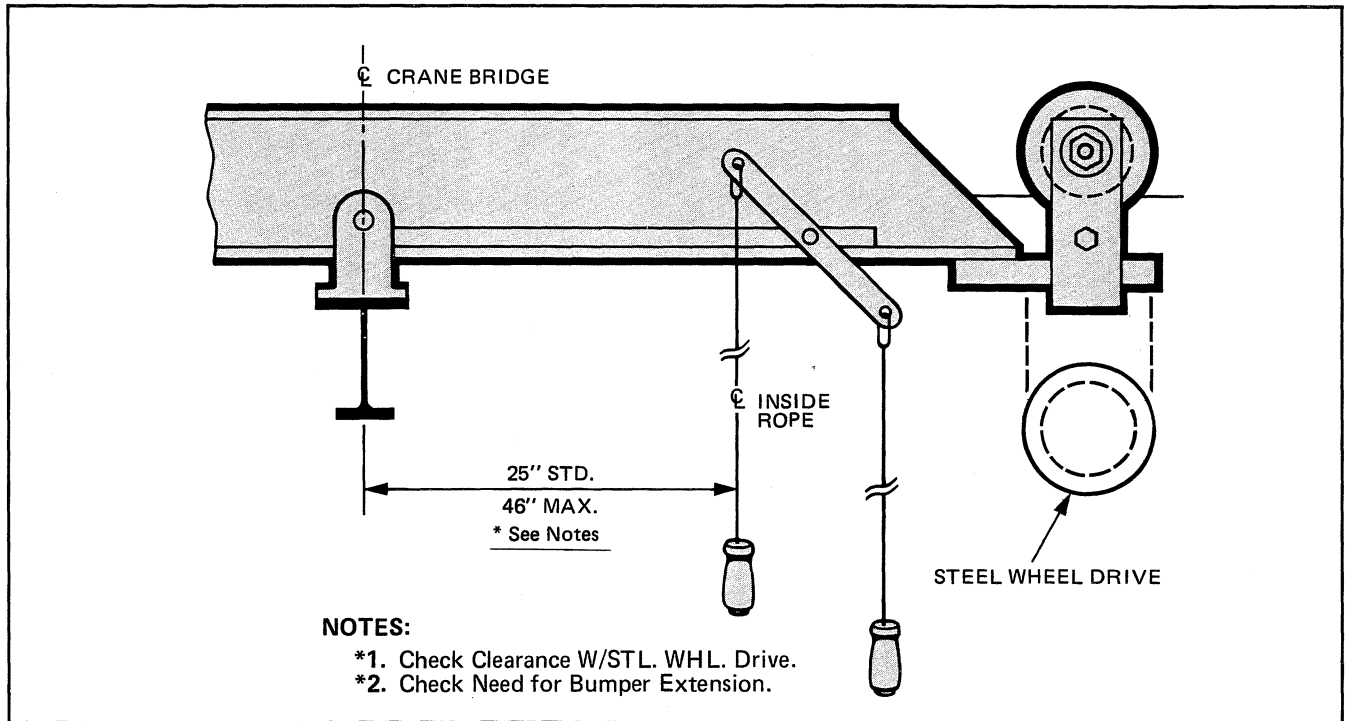
The latch and unlatch position of the linear motor is limited by a limit switch which is actuated by a cam mounted on the linear motors shaft.



CRANE LATCHES



LATCH UNDER-RAIL BAFFLE DIMENSION



505.7824 LATCH OPERATING MECHANISM LOCATION

NOTE:

When facing the interlock end of the crane, the operating mechanism will be on the right hand as shown and will be furnished as such, unless otherwise specified.

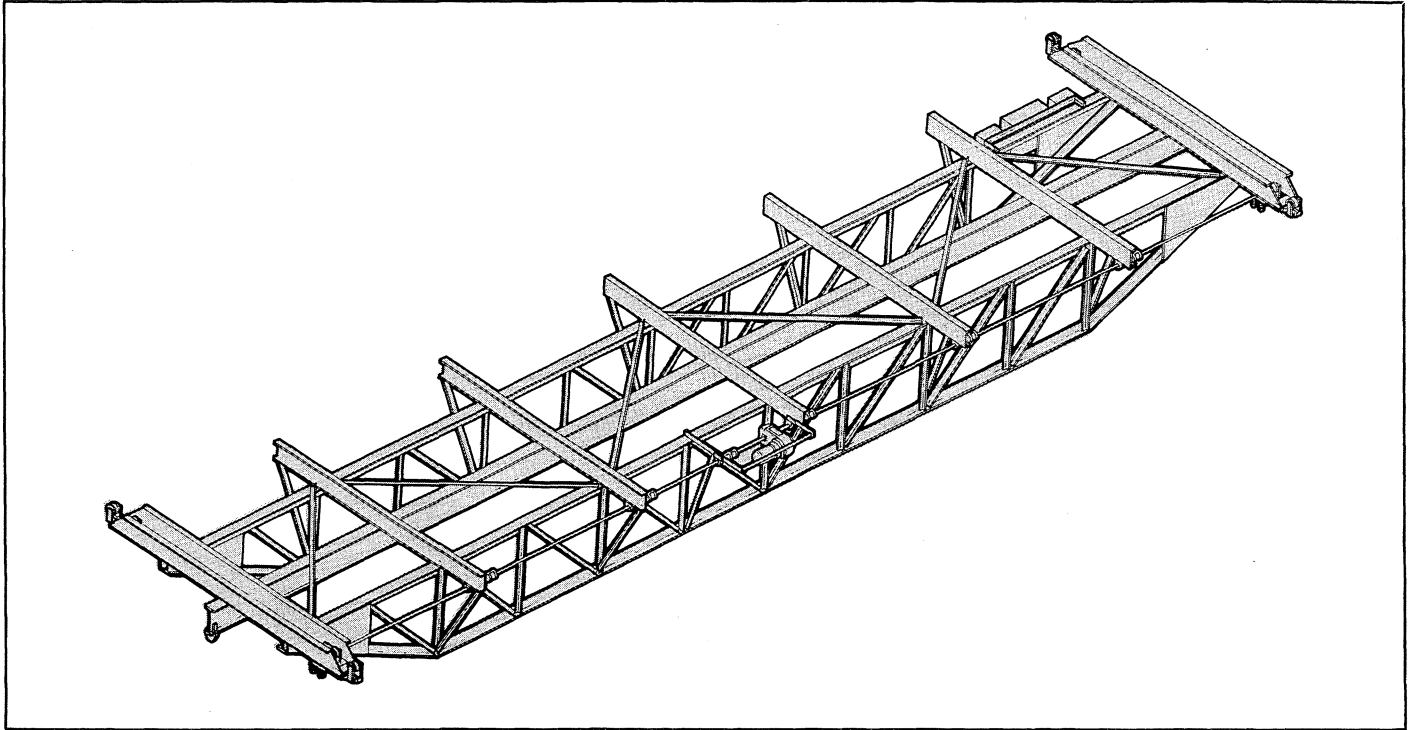


ACCO Material Handling Solutions
76 Acco Drive, Box 792, York, PA 17405-0792
717-741-4863, 800-967-7333, FAX 800-715-8897
E-mail: info@accomhs.com www.accomhs.com

© 2007 FKI Industries Inc.
Printed In USA



**Single Girder, Motor Propelled Truss Cranes With Center Drive,
To Operate on Two-Runways, 3.33" Operating Flange, For Use With Electric Hoists**



The *Louden* Series 510 and 510T center drive truss crane is offered in capacities of 3 through 15 tons, with spans to 100 feet. Standard bridge speeds are 75 F.P.M., single speed. Optional travel speeds (single speed) are 50, 110, 135, 165, 190, and 255 F.P.M. Other optional speeds are 2-speed and variable speed. High speeds listed above.

All speeds, except variable, will have adjustable torque and speed ramps through the use of the Acco Acceleration Control Module, a solid state device providing smooth bridge motion and excellent load control.

Standard crane motors are T.E.N.V., 30 minute, with Class F insulation, 55 degree rise over 60 degree ambient. All crane motors will have an AC disc brake as standard.

Available current characteristics are 460/230 volts, 3 phase, 60 Hertz, with 115 volt control circuit.

The gear reducer utilizes Helical gears cut from solid blanks to AGMA specifications. All gears are supported at both ends of the gear shaft by tapered roller bearings, and are enclosed in an oil-tight housing and run in an oil bath.

The drive tires are spring loaded to the underside of the runways, enabling all load wheels to be idler wheels. Load wheels are drop forged and hardened to 425 Brinnel minimum. Wheels are flangeless with guide rollers, 9 inch tread diameter, with tapered roller bearings.

Standard electrical equipment includes NEMA type 12 enclosure, a mainline magnetic contactor, manually operated fused mainline disconnect switch with lock out provision, branch circuit fuses, single speed magnetic reversing contactor, transformer with fused secondary, and flat wire festoon tagline bridge electrification. Festooning will consist of four power conductors and eight control conductors.

Each crane is custom designed to fit the structure from which it is to be supported. It is designed to meet or exceed the standards of the Monorail Manufacturers Association and ANSI specification #MH27.1-1996.

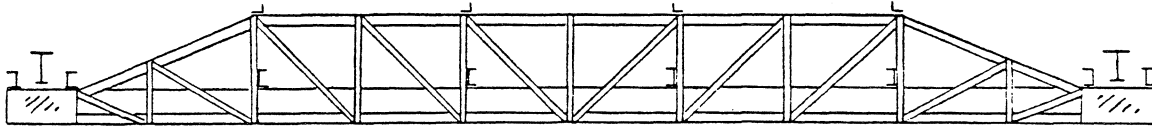
The 510 and 510T series crane is designed for Class C moderate service (as defined by the above ANSI standard).

The crane will be painted with one coat of yellow lead free alkyd enamel.

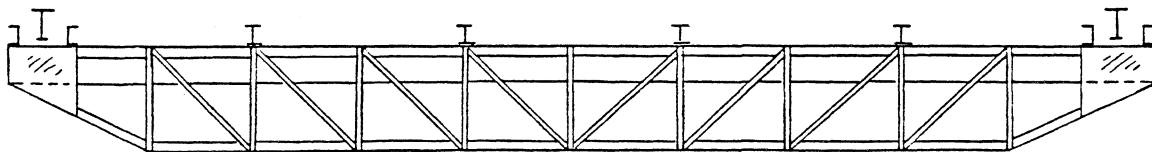
WARNING: Equipment described herein is not designed for and should not be used for lifting, supporting or transporting humans. Use of the equipment for this purpose can result in serious bodily injury and/or property damage.



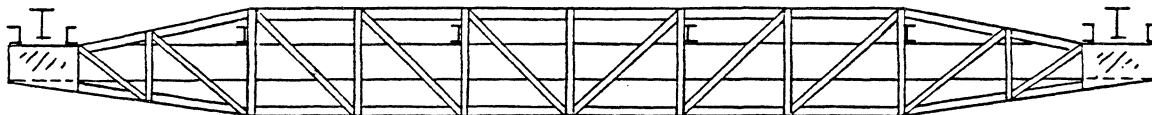
Single Girder—Motor Propelled—Truss Cranes



TYPE A TRUSS



TYPE B TRUSS



TYPE AB TRUSS

Truss type “B” is usually used where there is flat roof building construction. Type “A” is used with sloping roof rigid frame buildings. Type “AB” is used for both types of construction and permits the contour of the top chord of the trusses to accommodate the depth of the runway and the slope of the roof beams. Any of the three types are available at the prices shown on price bulletins.

The bridge beams are 605.1235 or 605.1543 *TrojanTrack* girders for use with hoist companies’ hoists and motor driven trolleys with suitable wheels for Louden track.

604 *SuperTrack* bridge beams can sometimes be substituted when *Louden* hoist trolleys and *MotoVeyors* with 4-1/2” diameter wheels are used.

These cranes carry a Class “C” moderate service rating.

WARNING: Equipment described herein is not designed for and should not be used for lifting, supporting, or transporting humans. Use of the equipment for this purpose can result in serious bodily injury and/or property damage.

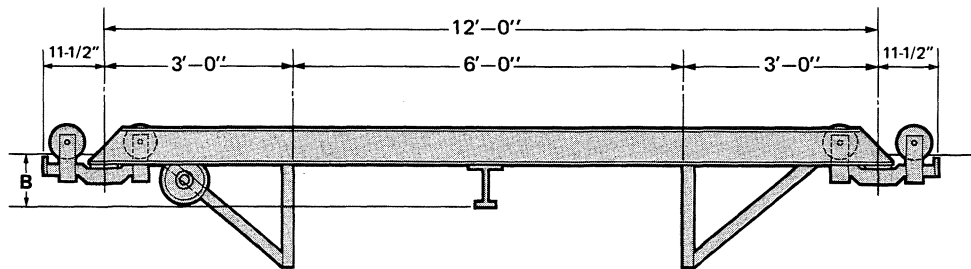




**LOUDEN® 510 SINGLE GIRDER
MOTOR PROPELLED TRUSS CRANES
WITH CENTER DRIVE.**

Single Girder, Motor Propelled with Center Drive, Two-Runway, Truss Cranes
to run on 604 SuperTrack Girder or 605 TrojanTrack Girder.

Max Span Ft.	Trusses		Crane Weight Lbs.	Motor H.P. Speed-FPM 75	Overhang					End Trucks			
	Centers Ft.	Depth In.			In. Std.	In. Min.	In. Max.	505.7824 Latch	505.7830 Latch	No. Whls.	Capacity Maximum	Wheel Load Per Pair (8)	Wheel Base(s)
Catalogue No. 510.6003					6,000 Lbs. Capacity					8,900 Lbs. Design Load (5)			
60	6	48	11380	1	12	8½	18	17	15	8	20000	3648	12'-0"
65	6	48	12200	1	12	8½	18	17	15	8	20000	3750	12'-0"
70	6	54	13820	1	12	8½	18	17	15	8	20000	3953	12'-0"
75	6	60	14040	1	12	8½	18	17	15	8	20000	3980	12'-0"
80	6	60	14760	1	12	8½	18	17	15	8	20000	4070	12'-0"
85	6	66	15580	1	12	8½	18	17	15	8	20000	4173	12'-0"
90	6	72	16700	1	12	8½	18	17	15	8	20000	4313	12'-0"
95	6	72	17520	1	12	8½	18	17	15	8	20000	4415	12'-0"
100	6	78	19560	1½	12	8½	18	17	15	8	20000	4670	12'-0"



No. 510 Truck—20,000 Lbs. Capacity with 4½" Diameter Wheels.

NOTES:

1. Speeds shown are based on using 1800 RPM motors.
2. Horsepowers shown are based on using single speed motors.
3. Available non-standard speeds are: 50, 110, 135, 165, 190, 255 FPM.
4. Standard 2-speed motors are 1800/600 RPM.
5. Design Load = Live Load, plus 15% live load for impact, plus 2,000 lbs. for hoist and trolley.
6. Maximum permissible wheel load on 603 SuperTrack and 604 type SuperTrack Girder is 2,500 lbs. (5,000 lbs. per 2-wheel trolley). For 605 TrojanTrack Girder the limitation is 3,750 lbs. (7,500 lbs. per 2-wheel trolley) when transferring through 505.7830 latch; 5,000 lbs. (10,000 lbs. per 2-wheel trolley) when captive on bridge, or when used on Super-TrojanTrack runways. (Super-TrojanTrack requires .7500 in. min. thickness of top flange, .4375 in. min. thickness of web, and splices must be welded rather than bolted.)
7. Weights shown are based on single speed drive with brake and controls, rigid track supported flat-wire festoon bridge electrification, and 12" overhang each end of bridge.
8. Calculated for this crane.
9. B = Girder depth plus 2". (Tread to tread.)
10. Prices include the HP shown. For larger HP, see modifications.

WARNING: Equipment described herein is not designed for and should not be used for lifting, supporting, or transporting humans. Use of the equipment for this purpose can result in serious bodily injury and/or property damage.

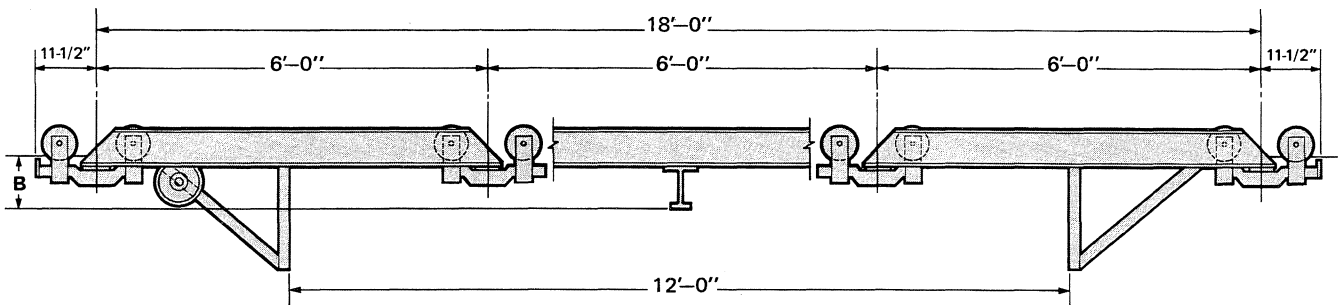


**LOUDEN® 510 SINGLE GIRDER
MOTOR PROPELLED TRUSS CRANES
WITH CENTER DRIVE.**

510 Page 4
Issued 9-7-01

**Single Girder, Motor Propelled with Center Drive, Two-Runway, Truss Cranes
to run on 604 SuperTrack Girder or 605 TrojanTrack Girder.**

Max Span Ft.	Trusses		Crane Weight Lbs.	Motor H.P. Speed-FPM 75	Overhang					End Trucks			
	Centers Ft.	Depth In.			In. Std.	In. Min.	In. Max.	505.7824 Latch	505.7830 Latch	No. Whls.	Capacity Maximum	Wheel Load Per Pair (8)	Wheel Base(s)
Catalogue No. 510.10003			10,000 Lbs. Capacity							14,500 Lbs. Design Load (5)			
60	12	48	13330	1	12	8½	18	17	15	16	40000	2646	6'-6'-6'
65	12	48	14150	1	12	8½	18	17	15	16	40000	2697	6'-6'-6'
70	12	54	14990	1½	12	8½	18	17	15	16	40000	2750	6'-6'-6'
75	12	60	16110	1½	12	8½	18	17	15	16	40000	2820	6'-6'-6'
80	12	60	17030	1½	12	8½	18	17	15	16	40000	2877	6'-6'-6'
85	12	66	17850	1½	12	8½	18	17	15	16	40000	2929	6'-6'-6'
90	12	72	19070	1½	12	8½	18	17	15	16	40000	3005	6'-6'-6'
95	12	72	19640	1½	12	8½	18	17	15	16	40000	3040	6'-6'-6'
100	12	78	20360	1½	12	8½	18	17	15	16	40000	3085	6'-6'-6'



No. 510 Truck—40,000 Lbs. Capacity with 4½" Diameter Wheels.

NOTES:

1. Speeds shown are based on using 1800 RPM motors.
2. Horsepowers shown are based on using single speed motors.
3. Available non-standard speeds are: 50, 110, 135, 165, 190, 255 FPM.
4. Standard 2-speed motors are 1800/600 RPM.
5. Design Load = Live Load, plus 15% live load for impact, plus 3,000 lbs. for hoist and trolley.
6. Maximum permissible wheel load on 603 SuperTrack and 604 type SuperTrack Girder is 2,500 lbs. (5,000 lbs. per 2-wheel trolley). For 605 TrojanTrack Girder the limitation is 3,750 lbs. (7,500 lbs. per 2-wheel trolley) when transferring through 505.7830 latch; 5,000 lbs. (10,000 lbs. per 2-wheel trolley) when captive on bridge, or when used on Super-TrojanTrack runways. (Super-TrojanTrack requires .7500 in. min. thickness of top flange, .4375 in. min. thickness of web, and splices must be welded rather than bolted.)
7. Weights shown are based on single speed drive with brake and controls, rigid track supported flat-wire festoon bridge electrification, and 12" overhang each end of bridge.
8. Calculated for this crane.
9. B = Girder depth plus 2". (Tread to tread.)
10. Prices include the HP shown. For larger HP, see modifications.

WARNING: Equipment described herein is not designed for and should not be used for lifting, supporting, or transporting humans. Use of the equipment for this purpose can result in serious bodily injury and/or property damage.



ACCO Material Handling Solutions
76 Acco Drive, Box 792, York, PA 17405-0792
717-741-4863, 800-967-7333, FAX 800-715-8897
E-mail: info@accomhs.com www.accomhs.com

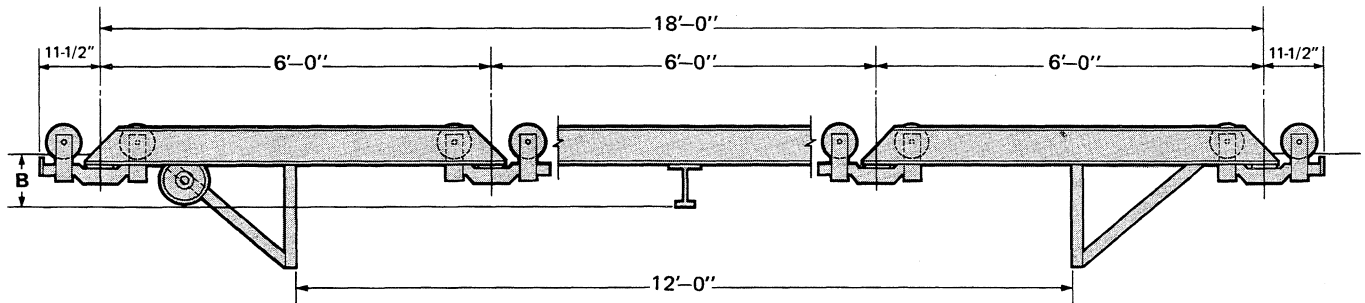
© 2007 FKI Industries Inc.
Printed In USA



**LOUDEN™ 510 SINGLE GIRDER
MOTOR PROPELLED TRUSS CRANES
WITH CENTER DRIVE.**

Single Girder, Motor Propelled with Center Drive, Two-Runway, Truss Cranes
to run on 604 SuperTrack Girder or 605 TrojanTrack Girder.

Max Span Ft.	Trusses		Crane Weight Lbs.	Motor H.P. Speed-FPM 75	Overhang				End Trucks			
	Centers Ft.	Depth In.			In. Std.	In. Min.	In. Max.	505.7830 Latch	No. Whls.	Capacity Maximum	Wheel Load Per Pair (8)	Wheel Base(s)
Catalogue No. 510.15003					15,000 Lbs. Capacity				20,350 Lbs. Design Load (5)			
60	12	48	14300	1½	12	8½	18	15	16	40000	3438	6'-6'-6'
65	12	48	15920	1½	12	8½	18	15	16	40000	3539	6'-6'-6'
70	12	54	16940	1½	12	8½	18	15	16	40000	3603	6'-6'-6'
75	12	60	18260	1½	12	8½	18	15	16	40000	3685	6'-6'-6'
80	12	60	19280	1½	12	8½	18	15	16	40000	3749	6'-6'-6'
85	12	66	20300	1½	12	8½	18	15	16	40000	3813	6'-6'-6'
90	12	72	21720	1½	12	8½	18	15	16	40000	3902	6'-6'-6'
95	12	72	22740	1½	12	8½	18	15	16	40000	3965	6'-6'-6'
100	12	78	23860	1½	12	8½	18	15	16	40000	4035	6'-6'-6'



No. 510 Truck—40,000 Lbs. Capacity with 4½" Diameter Wheels.

NOTES:

1. Speeds shown are based on using 1800 RPM motors.
2. Horsepowers shown are based on using single speed motors.
3. Available non-standard speeds are: 50, 110, 135, 165, 190, 255 FPM.
4. Standard 2-speed motors are 1800/600 RPM.
5. Design Load = Live Load, plus 15% live load for impact, plus 3,100 lbs. for hoist and trolley.
6. Maximum permissible wheel load on 603 SuperTrack and 604 type SuperTrack Girder is 2,500 lbs. (5,000 lbs. per 2-wheel trolley). For 605 TrojanTrack Girder the limitation is 3,750 lbs. (7,500 lbs. per 2-wheel trolley) when transferring through 505.7830 latch; 5,000 lbs. (10,000 lbs. per 2-wheel trolley) when captive on bridge, or when used on Super-TrojanTrack runways. (Super-TrojanTrack requires .7500 in. min. thickness of top flange, .4375 in. min. thickness of web, and splices must be welded rather than bolted.)
7. Weights shown are based on single speed drive with brake and controls, rigid track supported flat-wire festoon bridge electrification, and 12" overhang each end of bridge.
8. Calculated for this crane.
9. B = Girder depth plus 2". (Tread to tread.)
10. Prices include the HP shown. For larger HP, see modifications.

WARNING: Equipment described herein is not designed for and should not be used for lifting, supporting, or transporting humans. Use of the equipment for this purpose can result in serious bodily injury and/or property damage.

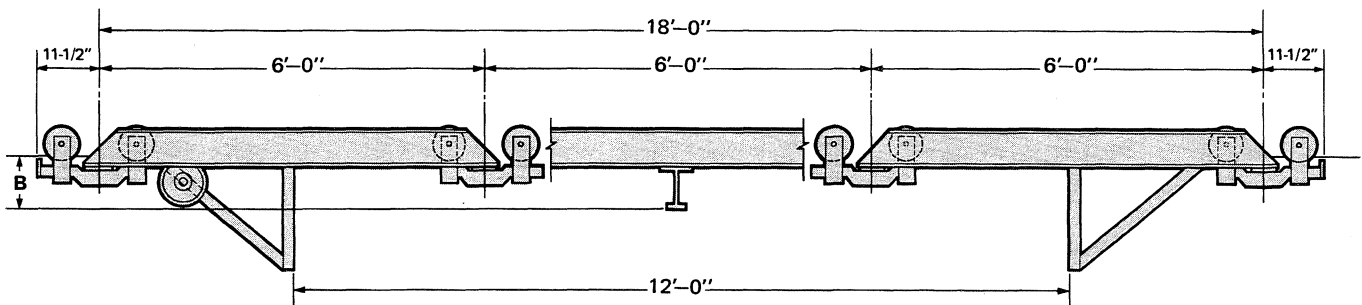


**LOUDEN® 510 SINGLE GIRDER
MOTOR PROPELLED TRUSS CRANES
WITH CENTER DRIVE.**

510 Page 6
Issued 9-7-01

**Single Girder, Motor Propelled with Center Drive, Two-Runway, Truss Cranes
to run on 604 SuperTrack Girder or 605 TrojanTrack Girder.**

Max Span Ft.	Trusses		Crane Weight Lbs.	Motor H.P. Speed-FPM 75	Overhang				End Trucks			
	Centers Ft.	Depth In.			In. Std.	In. Min.	In. Max.	505.7830 Latch	No. Whls.	Capacity Maximum	Wheel Load Per Pair (8)	Wheel Base(s)
Catalogue No. 510.20003					20,000 Lbs. Capacity				26,200 Lbs. Design Load (5)			
60	12	48	15700	1½	12	8½	18	15	16	40000	4257	6'-6'-6'
65	12	48	16720	1½	12	8½	18	15	16	40000	4320	6'-6'-6'
70	12	54	18840	1½	12	8½	18	15	16	40000	4453	6'-6'-6'
75	12	60	20260	1½	12	8½	18	15	16	40000	4542	6'-6'-6'
80	12	60	21380	1½	12	8½	18	15	16	40000	4612	6'-6'-6'
85	12	66	22600	1½	12	8½	18	15	16	40000	4688	6'-6'-6'
90	12	72	24140	2	12	8½	18	15	16	40000	4784	6'-6'-6'
95	12	72	25260	2	12	8½	18	15	16	40000	4854	6'-6'-6'
100	12	78	26480	2	12	8½	18	15	16	40000	4930	6'-6'-6'



No. 510 Truck—40,000 Lbs. Capacity with 4½" Diameter Wheels.

NOTES:

1. Speeds shown are based on using 1800 RPM motors.
2. Horsepowers shown are based on using single speed motors.
3. Available non-standard speeds are: 50, 110, 135, 165, 190, 255 FPM.
4. Standard 2-speed motors are 1800/600 RPM.
5. Design Load = Live Load, plus 15% live load for impact, plus 3,200 lbs. for hoist and trolley.
6. Maximum permissible wheel load on 603 SuperTrack and 604 type SuperTrack Girder is 2,500 lbs. (5,000 lbs. per 2-wheel trolley). For 605 TrojanTrack Girder the limitation is 3,750 lbs. (7,500 lbs. per 2-wheel trolley) when transferring through 505.7830 latch; 5,000 lbs. (10,000 lbs. per 2-wheel trolley) when captive on bridge, or when used on Super-TrojanTrack runways. (Super-TrojanTrack requires .7500 in. min. thickness of top flange, .4375 in. min. thickness of web, and splices must be welded rather than bolted.)
7. Weights shown are based on single speed drive with brake and controls, rigid track supported flat-wire festoon bridge electrification, and 12" overhang each end of bridge.
8. Calculated for this crane.
9. B = Girder depth plus 2". (Tread to tread.)
10. Prices include the HP shown. For larger HP, see modifications.

WARNING: Equipment described herein is not designed for and should not be used for lifting, supporting, or transporting humans. Use of the equipment for this purpose can result in serious bodily injury and/or property damage.



ACCO Material Handling Solutions
76 Acco Drive, Box 792, York, PA 17405-0792
717-741-4863, 800-967-7333, FAX 800-715-8897
E-mail: info@accomhs.com www.accomhs.com

© 2007 FKI Industries Inc.
Printed In USA

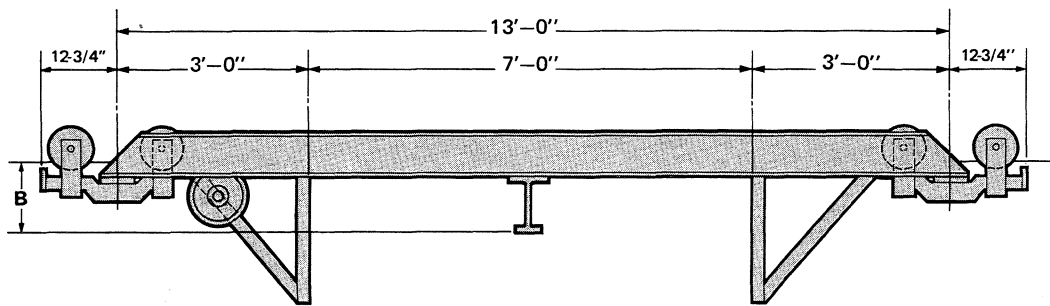


**LOUDEN® 510T SINGLE GIRDER
MOTOR PROPELLED TRUSS CRANES
WITH CENTER DRIVE.**

510T Page 7
Issued 9-7-01

Single Girder, Motor Propelled with Center Drive, Two-Runway, Truss Cranes
to run on 605 TrojanTrack Girder.

Max Span Ft.	Trusses		Crane Weight Lbs.	Motor H.P. Speed-FPM 75	Overhang					End Trucks			
	Centers Ft.	Depth In.			In.	In.	In.	505.7824 Latch	505.7830 Latch	No.	Capacity Maximum	Wheel Load Per Pair (8)	Wheel Base(s)
Catalogue No. 510T.10003					10,000 Lbs. Capacity					14,500 Lbs. Design Load (5)			
60	7	48	13580	1	12	9½	18	18	16	8	30000	5323	13'-0"
65	7	48	14400	1	12	9½	18	18	16	8	30000	5425	13'-0"
70	7	54	15240	1½	12	9½	18	18	16	8	30000	5530	13'-0"
75	7	60	16360	1½	12	9½	18	18	16	8	30000	5670	13'-0"
80	7	60	17280	1½	12	9½	18	18	16	8	30000	5785	13'-0"
85	7	66	18100	1½	12	9½	18	18	16	8	30000	5888	13'-0"
90	7	72	19320	1½	12	9½	18	18	16	8	30000	6040	13'-0"
95	7	72	19740	1½	12	9½	18	18	16	8	30000	6093	13'-0"
100	7	78	20660	1½	12	9½	18	18	16	8	30000	6208	13'-0"



No. 510T Truck—30,000 Lbs. Capacity with 9" Diameter Wheels.

NOTES:

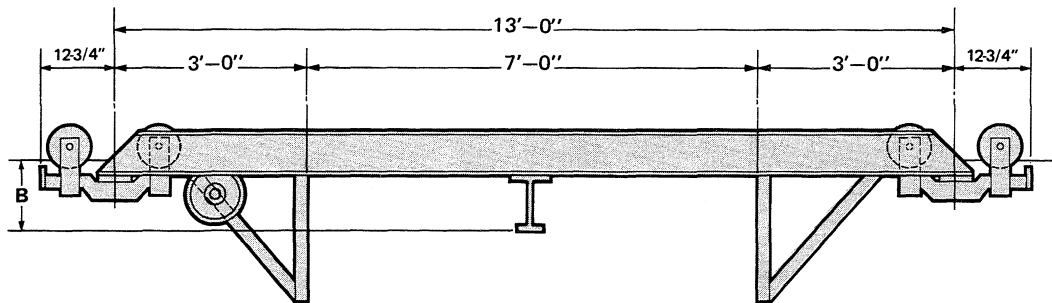
1. Speeds shown are based on using 1800 RPM motors.
2. Horsepowers shown are based on using single speed motors.
3. Available non-standard speeds are: 50, 110, 135, 165, 190, 255 FPM.
4. Standard 2-speed motors are 1800/600 RPM.
5. Design Load = Live Load, plus 15% live load for impact, plus 3,000 lbs. for hoist and trolley.
6. Maximum permissible wheel load on 603 SuperTrack and 604 type SuperTrack Girder is 2,500 lbs. (5,000 lbs. per 2-wheel trolley). For 605 TrojanTrack Girder the limitation is 3,750 lbs. (7,500 lbs. per 2-wheel trolley) when transferring through 505.7830 latch; 5,000 lbs. (10,000 lbs. per 2-wheel trolley) when captive on bridge, or when used on Super-TrojanTrack runways. (Super-TrojanTrack requires .7500 in. min. thickness of top flange, .4375 in. min. thickness of web, and splices must be welded rather than bolted.)
7. Weights shown are based on single speed drive with brake and controls, rigid track supported flat-wire festoon bridge electrification, and 12" overhang each end of bridge.
8. Calculated for this crane.
9. B = Girder depth plus 2". (Tread to tread.)
10. Prices include the HP shown. For larger HP, see modifications.

WARNING: Equipment described herein is not designed for and should not be used for lifting, supporting, or transporting humans. Use of the equipment for this purpose can result in serious bodily injury and/or property damage.



**Single Girder, Motor Propelled with Center Drive, Two-Runway, Truss Cranes
to run on 605 TrojanTrack Girder.**

Max Span Ft.	Trusses		Crane Weight Lbs.	Motor H.P. Speed-FPM 75	Overhang				End Trucks			
	Centers Ft.	Depth In.			In. Std.	In. Min.	In. Max.	505.7830 Latch	No. Whls.	Capacity Maximum (11)	Wheel Load Per Pair (8)	Wheel Base(s)
Catalogue No. 510T.15003					15,000 Lbs. Capacity				20,350 Lbs. Design Load (5)			
60	7	48	13600	1½	12	9½	18	16	8	30000	6788	13'-0"
65	7	48	16220	1½	12	9½	18	16	8	30000	7115	13'-0"
70	7	54	17240	1½	12	9½	18	16	8	30000	7243	13'-0"
75	7	60	18560	1½	12	9½	18	16	8	30000	7408	13'-0"
80	7	60	19900	1½	12	9½	18	16	8	40000	7575	13'-0"
85	7	66	20920	1½	12	9½	18	16	8	40000	7703	13'-0"
90	7	72	22340	1½	12	9½	18	16	8	40000	7880	13'-0"
95	7	72	23360	1½	12	9½	18	16	8	40000	8008	13'-0"
100	7	78	24480	1½	12	9½	18	16	8	40000	8148	13'-0"



No. 510T Truck—30,000 Lbs. or 40,000 Lbs. Capacity with 9" Diameter Wheels.

NOTES:

1. Speeds shown are based on using 1800 RPM motors.
2. Horsepowers shown are based on using single speed motors.
3. Available non-standard speeds are: 50, 110, 135, 165, 190, 255 FPM.
4. Standard 2-speed motors are 1800/600 RPM.
5. Design Load = Live Load, plus 15% live load for impact, plus 3,100 lbs. for hoist and trolley.
6. Maximum permissible wheel load on 603 SuperTrack and 604 type 604 type SuperTrack Girder is 2,500 lbs. (5,000 lbs. per 2-wheel trolley). For 605 TrojanTrack Girder the limitation is 3,750 lbs. (7,500 lbs. per 2-wheel trolley) when transferring through 505.7830 latch; 5,000 lbs. (10,000 lbs. per 2-wheel trolley) when captive on bridge, or when used on Super-TrojanTrack runways. (Super-TrojanTrack requires .7500 in. min. thickness of top flange, .4375 in. min. thickness of web, and splices must be welded rather than bolted.)
7. Weights shown are based on single speed drive with brake and controls, rigid track supported flat-wire festoon bridge electrification, and 12" overhang each end of bridge.
8. Calculated for this crane.
9. B = Girder depth plus 2". (Tread to tread.)
10. Prices include the HP shown. For larger HP, see modifications.
11. 40,000 lb. cap., 8-wheel Trojan end trucks require Super-TrojanTrack runways.

WARNING: Equipment described herein is not designed for and should not be used for lifting, supporting, or transporting humans. Use of the equipment for this purpose can result in serious bodily injury and/or property damage.



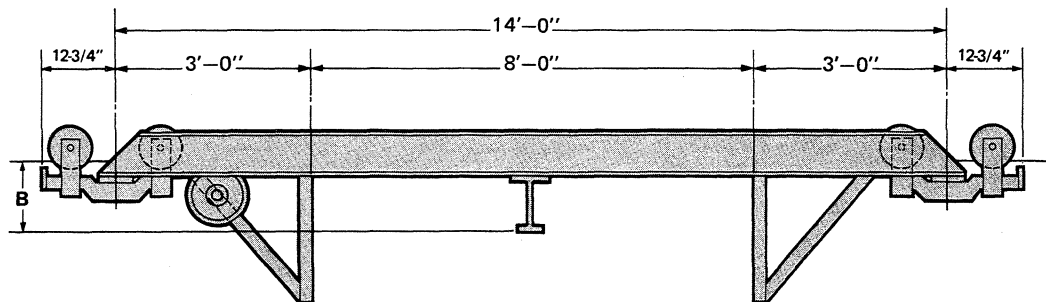


**LOUDEN® 510T SINGLE GIRDER
MOTOR PROPELLED TRUSS CRANES
WITH CENTER DRIVE.**

510T Page 9
Issued 9-7-01

**Single Girder, Motor Propelled with Center Drive, Two-Runway, Truss Cranes
to run on 605 TrojanTrack Girder.**

Max Span Ft.	Trusses		Crane Weight Lbs.	Motor H.P. Speed-FPM 75	Overhang				End Trucks			
	Centers Ft.	Depth In.			In. Std.	In. Min.	In. Max.	505.7830 Latch	No. Whls.	Capacity Maximum (11)	Wheel Load Per Pair (8)	Wheel Base(s)
Catalogue No. 510T.20003					20,000 Lbs. Capacity				26,200 Lbs. Design Load (5)			
60	8	48	16320	1½	12	9½	18	16	8	40000	8590	14'-0"
65	8	48	17340	1½	12	9½	18	16	8	40000	8718	14'-0"
70	8	54	19460	1½	12	9½	18	16	8	40000	8983	14'-0"
75	8	60	20880	1½	12	9½	18	16	8	40000	9160	14'-0"
80	8	60	22000	1½	12	9½	18	16	8	40000	9300	14'-0"
85	8	66	23220	1½	12	9½	18	16	8	40000	9453	14'-0"
90	8	72	24760	2	12	9½	18	16	8	40000	9645	14'-0"
95	8	72	25880	2	12	9½	18	16	8	40000	9785	14'-0"
100	8	78	27100	2	12	9½	18	16	8	40000	9938	14'-0"



No. 510T Truck—40,000 Lbs. Capacity with 9" Diameter Wheels.

NOTES:

1. Speeds shown are based on using 1800 RPM motors.
2. Horsepowers shown are based on using single speed motors.
3. Available non-standard speeds are: 50, 110, 135, 165, 190, 255 FPM.
4. Standard 2-speed motors are 1800/600 RPM.
5. Design Load = Live Load, plus 15% live load for impact, plus 3,200 lbs. for hoist and trolley.
6. Maximum permissible wheel load on 603 *SuperTrack* and 604 type *SuperTrack* Girder is 2,500 lbs. (5,000 lbs. per 2-wheel trolley). For 605 *TrojanTrack* Girder the limitation is 3,750 lbs. (7,500 lbs. per 2-wheel trolley) when transferring through 505.7830 latch; 5,000 lbs. (10,000 lbs. per 2-wheel trolley) when captive on bridge, or when used on *Super-TrojanTrack* runways. (*Super-TrojanTrack* requires .7500 in. min. thickness of top flange, .4375 in. min. thickness of web, and splices must be welded rather than bolted.)
7. Weights shown are based on single speed drive with brake and controls, rigid track supported flat-wire festoon bridge electrification, and 12" overhang each end of bridge.
8. Calculated for this crane.
9. B = Girder depth plus 2". (Tread to tread.)
10. Prices include the HP shown. For larger HP, see modifications.
11. 40,000 lb. cap., 8-wheel *Trojan* end trucks require *Super-TrojanTrack* runways.

WARNING: Equipment described herein is not designed for and should not be used for lifting, supporting, or transporting humans. Use of the equipment for this purpose can result in serious bodily injury and/or property damage.

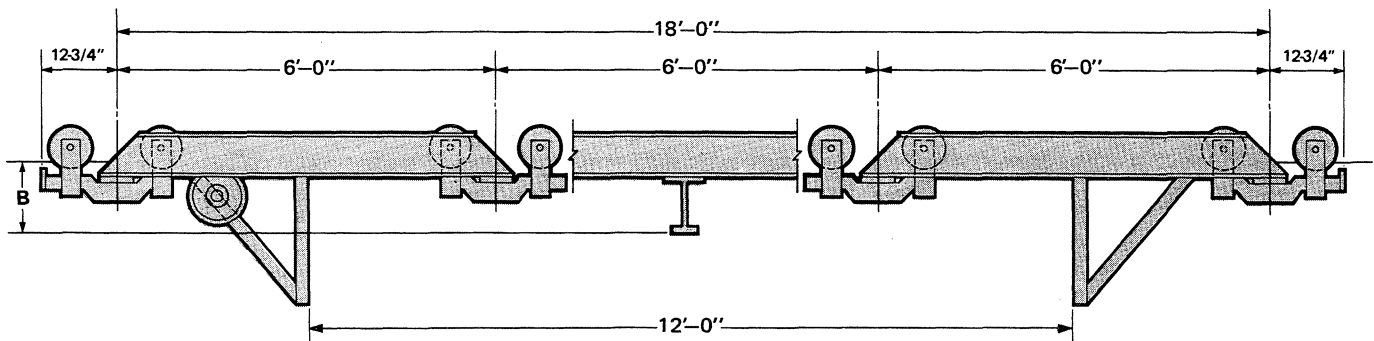


**LOUDEN® 510T SINGLE GIRDER
MOTOR PROPELLED TRUSS CRANES
WITH CENTER DRIVE.**

510T Page 10
Issued 9-7-01

**Single Girder, Motor Propelled with Center Drive, Two-Runway, Truss Cranes
to run on 605 TrojanTrack Girder.**

Max Span Ft.	Trusses		Crane Weight Lbs.	Motor H.P. Speed-FPM 75(11)	Overhang				End Trucks			
	Centers Ft.	Depth In.			In. Std.	In. Min.	In. Max.	505.7830 Latch	No. Whls.	Capacity Maximum	Wheel Load Per Pair (8)	Wheel Base(s)
Catalogue No. 510T.30003					30,000 Lbs. Capacity				38,500 Lbs. Design Load (5)			
60	12	48	21240	3	12	9½	18	16	16	60000	6140	6'-6'-6'
65	12	48	22560	3	12	9½	18	16	16	60000	6223	6'-6'-6'
70	12	54	25580	3	12	9½	18	16	16	60000	6412	6'-6'-6'
75	12	60	27300	3	12	9½	18	16	16	60000	6519	6'-6'-6'
80	12	60	28820	3	12	9½	18	16	16	60000	6614	6'-6'-6'
85	12	66	30340	3	12	9½	18	16	16	60000	6709	6'-6'-6'
90	12	72	32160	3	12	9½	18	16	16	60000	6823	6'-6'-6'
95	12	72	33580	3	12	9½	18	16	16	60000	6912	6'-6'-6'
100	12	78	35100	3	12	9½	18	16	16	60000	7007	6'-6'-6'



No. 510T Truck—60,000 Lbs. Capacity with 9" Diameter Wheels.

NOTES:

1. Speeds shown are based on using 1800 RPM motors.
2. Horsepowers shown are based on using single speed motors.
3. Available non-standard speeds are: 50, 110, 135, 165, 190, 255 FPM.
4. Standard 2-speed motors are 1800/600 RPM.
5. Design Load = Live Load, plus 15% live load for impact, plus 4,000 lbs. for hoist and trolley.
6. Maximum permissible wheel load on 603 SuperTrack and 604 type SuperTrack Girder is 2,500 lbs. (5,000 lbs. per 2-wheel trolley). For 605 TrojanTrack Girder the limitation is 3,750 lbs. (7,500 lbs. per 2-wheel trolley) when transferring through 505.7830 latch; 5,000 lbs. (10,000 lbs. per 2-wheel trolley) when captive on bridge, or when used on Super-Trojan Track runways. (Super-Trojan Track requires .7500 in. min. thickness of top flange, .4375 in. min. thickness of web, and splices must be welded rather than bolted.)
7. Weights shown are based on single speed drive with brake and controls, rigid track supported flat-wire festoon bridge electrification, and 12" overhang each end of bridge.
8. Calculated for this crane.
9. B = Girder depth plus 2". (Tread to tread.)
10. Prices include the HP shown. For larger HP, see modifications.
11. 3 H.P. and larger uses special gear reducer.

WARNING: Equipment described herein is not designed for and should not be used for lifting, supporting, or transporting humans. Use of the equipment for this purpose can result in serious bodily injury and/or property damage.



ACCO Material Handling Solutions
76 Acco Drive, Box 792, York, PA 17405-0792
717-741-4863, 800-967-7333, FAX 800-715-8897
E-mail: info@accomhs.com www.accomhs.com

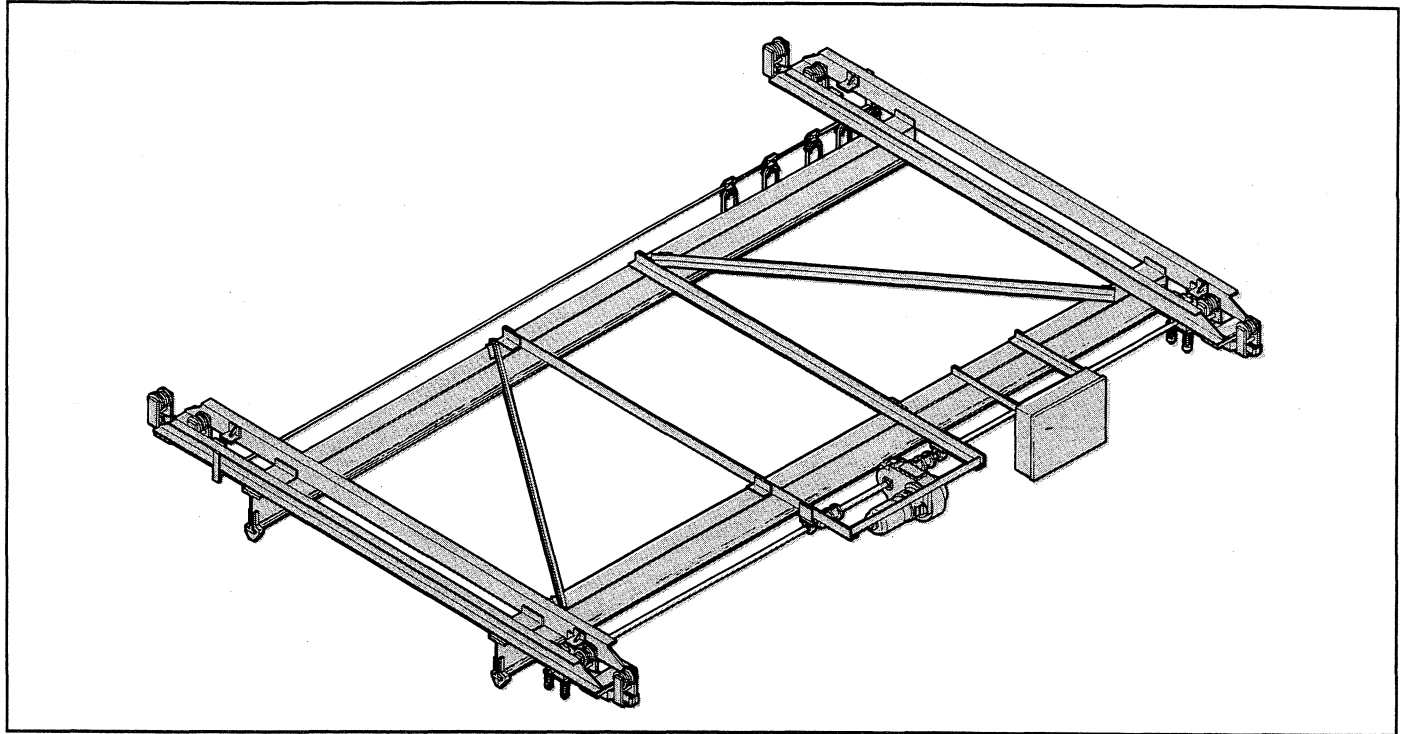
© 2007 FKI Industries Inc.
Printed In USA



**LOUDEN® 517 DOUBLE GIRDER
MOTOR PROPELLED CRANES
WITH CENTER DRIVE**

517-1
Issued 9-7-01

Double Girder, Motor Propelled Cranes With Center Drive, To Operate on Two-Runways of 603 SuperTrack, 604 SuperTrack Girder, or 605 TrojanTrack Girder, 3.33" Operating Flange, For Use With Electric, Air, or Hand Chain Hoists.



The *Louden* Series 517 center drive crane is offered in capacities of 1 through 10 tons, with spans to 60 feet. Standard bridge speeds are 75 and 135 F.P.M., single speed. Optional travel speeds (single speed) are 50, 110, 135, 165, 190, and 255 F.P.M. Other optional speeds are 2-speed and variable speed. High speeds listed above.

All speeds, except variable, will have adjustable torque and speed ramps through the use of the Acco Acceleration Control Module, a solid state device providing smooth bridge motion and excellent load control.

Standard crane motors are T.E.N.V., 30 minute, with Class F insulation, 55 degree rise over 60 degree ambient. All crane motors will have an AC disc brake as standard.

Available current characteristics are 460/230 volts, 3 phase, 60 Hertz, with 115 volt control circuit.

The gear reducer utilizes Helical gears cut from solid blanks to AGMA specifications. All gears are supported at both ends of the gear shaft by tapered roller bearings, and are enclosed in an oil-tight housing and run in an oil bath.

The drive tires are spring loaded to the underside of the runways, enabling all load wheels to be idler wheels. Load wheels are drop forged and hardened to 425 Brinell minimum. Wheels are flanged with 4¹/₂ inch tread diameter, and bearings are double row ball or tapered roller type.

Standard electrical equipment includes NEMA type 12 enclosure, a mainline magnetic contactor, manually operated fused mainline disconnect switch with lock out provision, branch circuit fuses, single speed magnetic reversing contactor, transformer with fused secondary, and flat wire festoon tagline bridge electrification. Festooning will consist of four power conductors and eight control conductors.

Each crane is custom designed to fit the structure from which it is to be supported. It is designed to meet or exceed the standards of the Monorail Manufacturers Association and ANSI specification #MH27.1-1996.

The 517 series crane is designed for Class C moderate service (as defined by the above ANSI standard).

The crane is fully assembled before shipment, including the tagline festoon system, The crane will be painted with one coat of yellow lead free alkyd enamel, then disassembled and match-marked for shipment.

WARNING: Equipment described herein is not designed for and should not be used for lifting, supporting or transporting humans. Use of the equipment for this purpose can result in serious bodily injury and/or property damage.



**LOUDEN® 517 DOUBLE GIRDER
MOTOR PROPELLED CRANES
WITH CENTER DRIVE**

517-2
Issued 9-7-01

**DOUBLE GIRDER MOTOR PROPELLED CRANES WITH
CENTER DRIVE, TO OPERATE ON TWO RUNWAYS - 3.33"
FLANGE, FOR USE WITH ELECTRIC OR AIR HOISTS ON
DOUBLE GIRDER TROLLEYS.**

Max. Span Ft.	Bridge Girder Required	Crane Weight (Lbs.)	Motor H.P.		Overhang					Crane Trucks		Wheel Load Per Pair (2)
			Speed (F.P.M.)		In. Std.	In. Min.	In. Max.	505.7824 Latch	505.7830 Latch	No. Whls.	Capacity (Max.)	
			75	135								
Catalog No. 517.2003			2000 Lbs. Capacity					4600 Lbs. Design Load (1)				
18	604.924	2796	3/4	3/4	12	7	18	15	13½	4	10000	2999
20	604.924	2898	3/4	3/4	12	7	18	15	13½	4	10000	3025
22	604.924	3000	3/4	3/4	12	7	18	15	13½	4	10000	3050
24	604.924	3102	3/4	3/4	12	7	18	15	13½	4	10000	3076
26	604.1231	3592	3/4	1	12	7	18	15	13½	4	10000	3198
28	604.1231	3722	3/4	1	12	7	18	15	13½	4	10000	3231
30	604.1231	3852	3/4	1	12	7	18	15	13½	4	10000	3263
32	604.1231	3982	3/4	1	12	7	18	15	13½	4	10000	3296
34	604.1231	4112	3/4	1	12	7	18	15	13½	4	10000	3328
36	604.1435	4501	3/4	1	12	7	18	15	13½	4	10000	3426
38	604.1435	4647	3/4	1	12	7	18	15	13½	4	10000	3463
40	604.1538	5165	3/4	1	12	7	18	15	13½	4	10000	3592
42	604.1538	5323	3/4	1	12	7	18	15	13½	4	10000	3631
44	604.1846	6287	3/4	1	12	7	18	15	13½	4	10000	3872
46	604.1846	6477	3/4	1	12	7	18	15	13½	4	10000	3920
48	604.1846	6667	3/4	1	12	7	18	15	13½	4	10000	3967
50	604.1846	6857	3/4	1	12	7	18	15	13½	4	10000	4015
52	604.2153	7873	3/4	1	12	7	18	15	13½	4	10000	4269
54	604.2153	8091	3/4	1	12	7	18	15	13½	4	10000	4323
56	604.2153	8309	3/4	1	12	7	18	15	13½	4	10000	4378
58	605.2166	10035	3/4	1½	12	7	18	15	13½	4	10000	4809
60	605.2474	11965	3/4	1½	12	8½	18	17	15	8	20000	2646

NOTES:

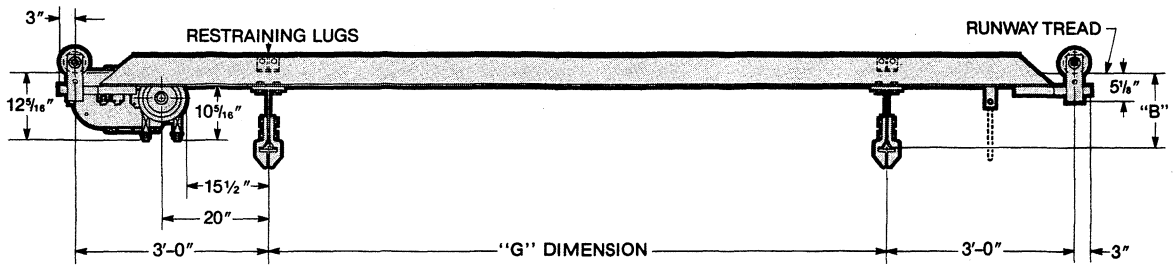
- Design Load = Live Load, plus 15% live load for impact, plus 2,300 lbs. for hoist and trolley.
- Calculated for this crane with specified design load.
- Maximum permissible wheel load on 603 *SuperTrack* and 604 *SuperTrack* Girder is 2,500 Lbs. (5,000 Lbs. per two-wheel trolley). For 605 *TrojanTrack* Girder the limitation is 3,750 Lbs. (7,500 Lbs. per two-wheel trolley) when transferring through 505.7830 latch; 5,000 Lbs. (10,000 Lbs. per two-wheel trolley) when captive on bridge, or when used on *Super-TrojanTrack* Runways. (*Super-TrojanTrack* requires .75 in. min. thickness of top flange, .4375 in. min. thickness of web, and splices must be welded rather than bolted.)
- Speeds shown are based on using 1800 RPM motors.
- Horsepowers shown are based on using single speed motors.
- Available non-standard speeds are 50, 110, 165, 190, 255 FPM.
- Standard 2-Speed motors are 1800/600 RPM.
- Weights shown are based on single speed drive with brake and controls, flat-wire festoon tagline bridge electrification, and 12" overhang each end of bridge.
- B = Girder depth plus 2". (Tread to tread.)
- Prices include the smaller HP shown. For larger HP, see modifications.

WARNING: Equipment described herein is not designed for and should not be used for lifting, supporting, or transporting humans. Use of the equipment for this purpose can result in serious bodily injury and/or property damage.

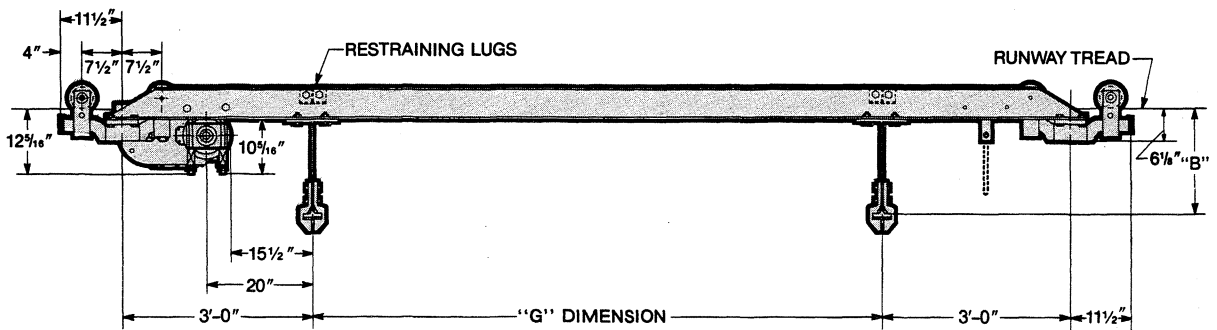


**Louden® 517 DOUBLE GIRDER
MOTOR PROPELLED CRANES
WITH CENTER DRIVE**

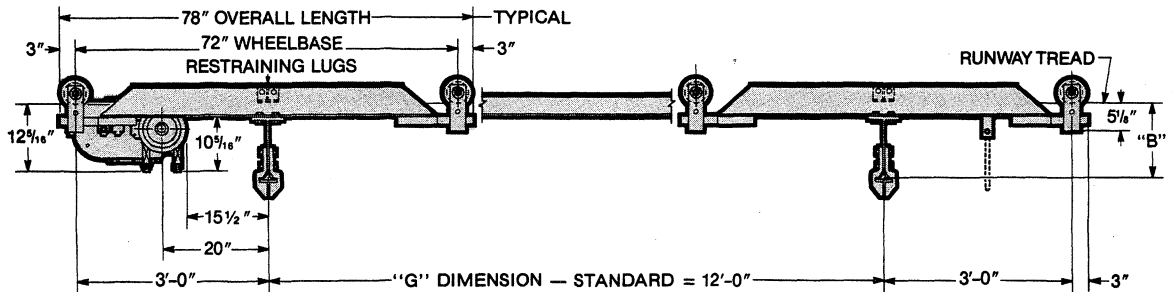
517-3
Issued 9-7-01



**Wheelbase = "G" Plus 6'-0"
4-Wheel Crane Trucks**



**Wheelbase = "G" Plus 6'-0"
8-Wheel Crane Trucks**



**STD. Wheelbases = 6'-0", 6'-0", 6'-0"
Optional 8-Wheel Crane Trucks**



**LOUDEN[®] 517 DOUBLE GIRDER
MOTOR PROPELLED CRANES
WITH CENTER DRIVE**

517-4
Issued 9-7-01

**DOUBLE GIRDER MOTOR PROPELLED CRANES WITH
CENTER DRIVE, TO OPERATE ON TWO RUNWAYS - 3.33"
FLANGE, FOR USE WITH ELECTRIC OR AIR HOISTS ON
DOUBLE GIRDER TROLLEYS.**

Max. Span Ft.	Bridge Girder Required	Crane Weight (Lbs.)	Motor H.P.		Overhang					Crane Trucks		Wheel Load Per Pair (2)
			Speed (F.P.M.)		In. Std.	In. Min.	In. Max.	505.7824 Latch	505.7830 Latch	No. Whls.	Capacity (Max.)	
			75	135								
Catalog No. 517.4003			4000 Lbs. Capacity					7110 Lbs. Design Load (1)				
18	604.924	2610	3/4	1	12	7	18	15	13½	4	10000	4208
20	604.924	2712	3/4	1	12	7	18	15	13½	4	10000	4233
22	604.1231	3219	3/4	1	12	7	18	15	13½	4	10000	4360
24	604.1231	3349	3/4	1	12	7	18	15	13½	4	10000	4393
26	604.1231	3479	3/4	1	12	7	18	15	13½	4	10000	4425
28	604.1231	3609	3/4	1	12	7	18	15	13½	4	10000	4458
30	604.1231	3739	3/4	1	12	7	18	15	13½	4	10000	4490
32	604.1435	4354	3/4	1	12	7	18	15	13½	4	10000	4644
34	604.1435	4500	3/4	1	12	7	18	15	13½	4	10000	4681
36	604.1538	5005	3/4	1	12	7	18	15	13½	4	10000	4807
38	604.1538	5163	3/4	1	12	7	18	15	13½	4	10000	4846
40	604.1846	6607	3/4	1½	12	8½	18	17	15	8	20000	2604
42	604.1846	6797	3/4	1½	12	8½	18	17	15	8	20000	2628
44	604.1846	6987	3/4	1½	12	8½	18	17	15	8	20000	2651
46	604.1846	7177	3/4	1½	12	8½	18	17	15	8	20000	2675
48	604.2153	8039	3/4	1½	12	8½	18	17	15	8	20000	2783
50	604.2153	8257	3/4	1½	12	8½	18	17	15	8	20000	2810
52	604.2153	8475	3/4	1½	12	8½	18	17	15	8	20000	2837
54	605.2166	10218	3/4	1½	12	8½	18	17	15	8	20000	3055
56	605.2166	10488	3/4	1½	12	8½	18	17	15	8	20000	3089
58	605.2474	11863	1	1½	12	8½	18	17	15	8	20000	3261
60	605.2474	12165	1	1½	12	8½	18	17	15	8	20000	3299

NOTES:

- Design Load = Live Load, plus 15% live load for impact, plus 2,510 lbs. for hoist and trolley.
- Calculated for this crane with specified design load.
- Maximum permissible wheel load on 603 *Super-Track* and 604 *SuperTrack* Girder is 2,500 Lbs. (5,000 Lbs. per two-wheel trolley). For 605 *Trojan-Track* Girder the limitation is 3,750 Lbs. (7,500 Lbs. per two-wheel trolley) when transferring through 505.7830 latch; 5,000 Lbs. (10,000 Lbs. per two-wheel trolley) when captive on bridge, or when used on *Super-TrojanTrack* Runways. (*Super-Trojan-Track* requires .75 in. min. thickness of top flange, .4375 in. min. thickness of web, and splices must be welded rather than bolted.)
- Speeds shown are based on using 1800 RPM motors.
- Horsepowers shown are based on using single speed motors.
- Available non-standard speeds are 50, 110, 165, 190, 255 FPM.
- Standard 2-Speed motors are 1800/600 RPM.
- Weights shown are based on single speed drive with brake and controls, flat-wire festoon tagline bridge electrification, and 12" overhang each end of bridge.
- B = Girder depth plus 2". (Tread to tread.)
- Prices include the smaller HP shown. For larger HP, see modifications.

WARNING: Equipment described herein is not designed for and should not be used for lifting, supporting, or transporting humans. Use of the equipment for this purpose can result in serious bodily injury and/or property damage.



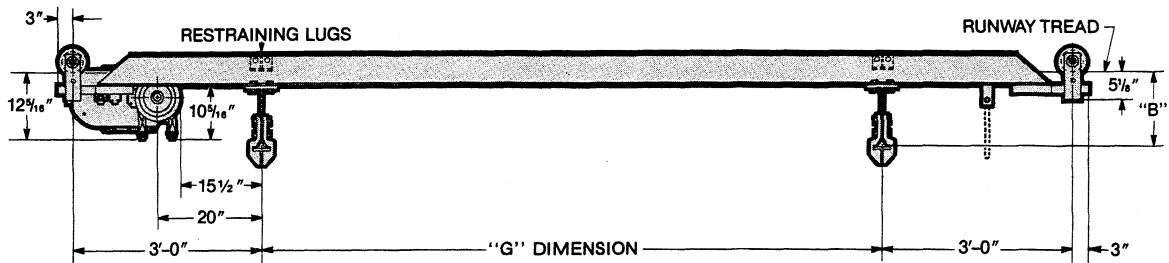
ACCO Material Handling Solutions
76 Acco Drive, Box 792, York, PA 17405-0792
717-741-4863, 800-967-7333, FAX 800-715-8897
E-mail: info@accomhs.com www.accomhs.com

© 2007 FKI Industries Inc.
Printed In USA

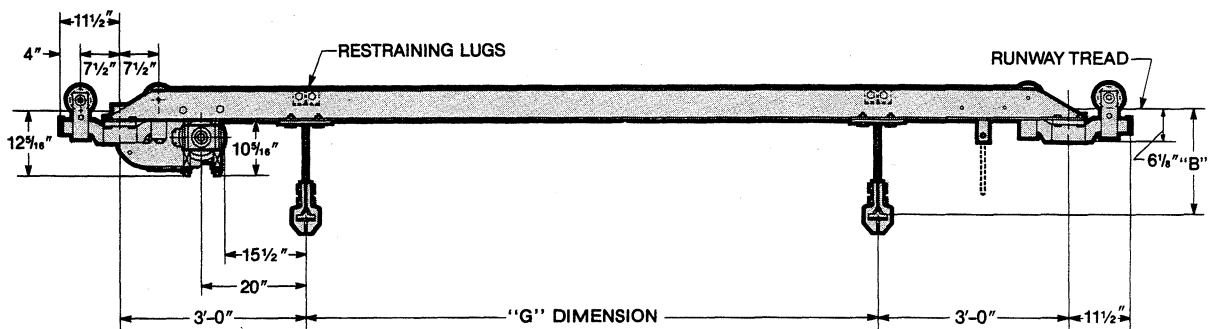


**LOUDEN® 517 DOUBLE GIRDER
MOTOR PROPELLED CRANES
WITH CENTER DRIVE**

517-5
Issued 9-7-01

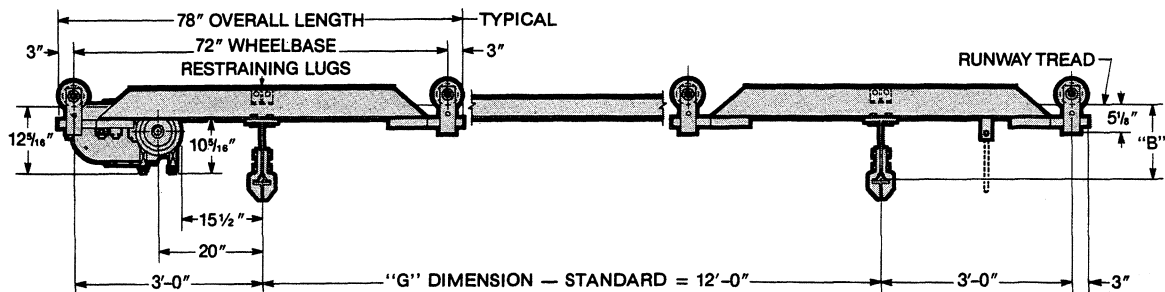


**Wheelbase = "G" Plus 6'-0"
4-Wheel Crane Trucks**



**Wheelbase = "G" Plus 6'-0"
8-Wheel Crane Trucks**

or



**STD. Wheelbases = 6'-0", 6'-0", 6'-0"
Optional 8-Wheel Crane Trucks**



**LOUDEN® 517 DOUBLE GIRDER
MOTOR PROPELLED CRANES
WITH CENTER DRIVE**

517-6
Issued 9-7-01

**DOUBLE GIRDER MOTOR PROPELLED CRANES WITH
CENTER DRIVE, TO OPERATE ON TWO RUNWAYS - 3.33"
FLANGE, FOR USE WITH ELECTRIC OR AIR HOISTS ON
DOUBLE GIRDER TROLLEYS.**

Max. Span Ft.	Bridge Girder Required	Crane Weight (Lbs.)	Motor H.P.		Overhang					Crane Trucks		Wheel Load Per Pair (2)
			Speed (F.P.M.)		In. Std.	In. Min.	In. Max.	505.7824 Latch	505.7830 Latch	No. Whls.	Capacity (Max.)	
			75	135								
Catalog No. 517.6003			6000 Lbs. Capacity					9480 Lbs. Design Load (1)				
18	604.924	3175	3/4	1	12	8½	18	17	15	8	20000	2768
20	604.1231	3678	3/4	1	12	8½	18	17	15	8	20000	2831
22	604.1231	3808	3/4	1	12	8½	18	17	15	8	20000	2847
24	604.1231	3938	3/4	1	12	8½	18	17	15	8	20000	2861
26	604.1231	4068	3/4	1	12	8½	18	17	15	8	20000	2879
28	604.1435	4552	3/4	1½	12	8½	18	17	15	8	20000	2939
30	604.1435	4698	3/4	1½	12	8½	18	17	15	8	20000	2958
32	604.1435	4844	3/4	1½	12	8½	18	17	15	8	20000	2976
34	604.1538	5308	3/4	1½	12	8½	18	17	15	8	20000	3034
36	604.1538	5466	3/4	1½	12	8½	18	17	15	8	20000	3054
38	604.1846	6232	3/4	1½	12	8½	18	17	15	8	20000	3149
40	604.1846	6422	3/4	1½	12	8½	18	17	15	8	20000	3173
42	604.1846	6612	3/4	1½	12	8½	18	17	15	8	20000	3197
44	604.1846	6802	3/4	1½	12	8½	18	17	15	8	20000	3221
46	604.2153	7979	3/4	1½	12	8½	18	17	15	8	20000	3368
48	604.2153	8197	3/4	1½	12	8½	18	17	15	8	20000	3395
50	604.2153	8415	3/4	1½	12	8½	18	17	15	8	20000	3422
52	605.2166	9815	1	1½	12	8½	18	17	15	8	20000	3597
54	605.2166	10085	1	1½	12	8½	18	17	15	8	20000	3631
56	605.2474	11511	1	1½	12	8½	18	17	15	8	20000	3809
58	605.2474	11813	1	1½	12	8½	18	17	15	8	20000	3847
60	605.2474	12115	1	1½	12	8½	18	17	15	8	20000	3885

NOTES:

- Design Load = Live Load, plus 15% live load for impact, plus 2,580 lbs. for hoist and trolley.
- Calculated for this crane with specified design load.
- Maximum permissible wheel load on 603 *SuperTrack* and 604 *SuperTrack* Girder is 2,500 Lbs. (5,000 Lbs. per two-wheel trolley). For 605 *TrojanTrack* Girder the limitation is 3,750 Lbs. (7,500 Lbs. per two-wheel trolley) when transferring through 505.7830 latch; 5,000 Lbs. (10,000 Lbs. per two-wheel trolley) when captive on bridge, or when used on Super-*TrojanTrack* Runways. (Super-*TrojanTrack* requires .75 in. min. thickness of top flange, .4375 in. min. thickness of web, and splices must be welded rather than bolted.)
- Speeds shown are based on using 1800 RPM motors.
- Horsepowers shown are based on using single speed motors.
- Available non-standard speeds are 50, 110, 165, 190, 255 FPM.
- Standard 2-Speed motors are 1800/600 RPM.
- Weights shown are based on single speed drive with brake and controls, flat-wire festoon tagline bridge electrification, and 12" overhang each end of bridge.
- B = Girder depth plus 2". (Tread to tread.)
- Prices include the smaller HP shown. For larger HP, see modifications.

WARNING: Equipment described herein is not designed for and should not be used for lifting, supporting, or transporting humans. Use of the equipment for this purpose can result in serious bodily injury and/or property damage.



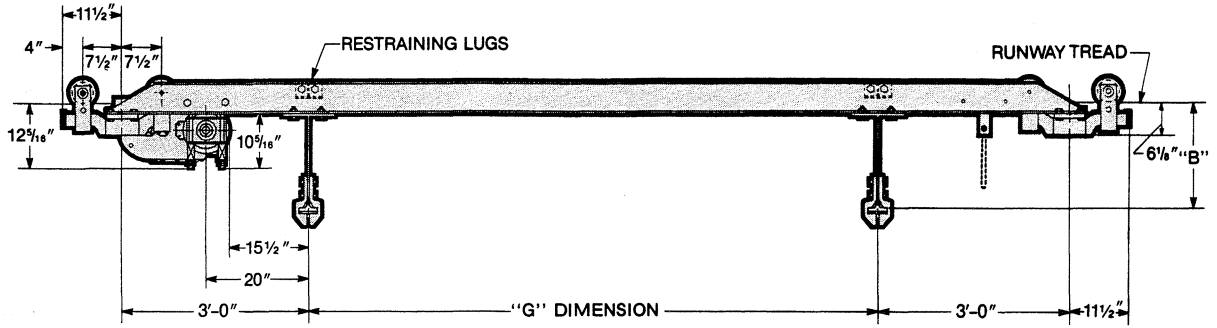
ACCO Material Handling Solutions
76 Acco Drive, Box 792, York, PA 17405-0792
717-741-4863, 800-967-7333, FAX 800-715-8897
E-mail: info@accomhs.com www.accomhs.com

© 2007 FKI Industries Inc.
Printed In USA



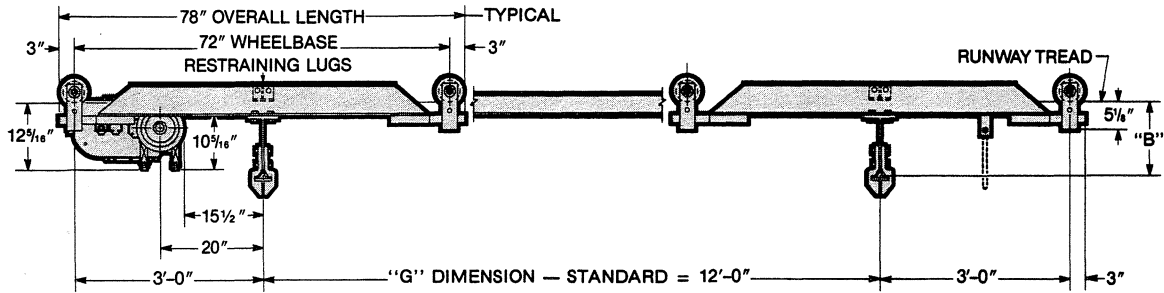
**LOUDEN® 517 DOUBLE GIRDER
MOTOR PROPELLED CRANES
WITH CENTER DRIVE**

517-7
Issued 9-7-01



**Wheelbase = "G" Plus 6'-0"
8-Wheel Crane Trucks**

or



**STD. Wheelbases = 6'-0", 6'-0", 6'-0"
Optional 8-Wheel Crane Trucks**



**Louden® 517 DOUBLE GIRDER
MOTOR PROPELLED CRANES
WITH CENTER DRIVE**

517-8
Issued 9-7-01

**DOUBLE GIRDER MOTOR PROPELLED CRANES WITH
CENTER DRIVE, TO OPERATE ON TWO RUNWAYS - 3.33"
FLANGE, FOR USE WITH ELECTRIC OR AIR HOISTS ON
DOUBLE GIRDER TROLLEYS.**

Max. Span Ft.	Bridge Girder Required	Crane Weight (Lbs.)	Motor H.P.		Overhang					Crane Trucks		Wheel Load Per Pair (2)
			Speed (F.P.M.)		In. Std.	In. Min.	In. Max.	505.7824 Latch	505.7830 Latch	No. Whls.	Capacity (Max.)	
			75	135								
Catalog No. 517.10003			10000 Lbs. Capacity					15840 Lbs. Design Load (1)				
18	604.1231	3848	1	1½	12	8½	18	17	15	8	20000	4442
20	604.1231	3978	1	1½	12	8½	18	17	15	8	20000	4458
22	604.1231	4108	1	1½	12	8½	18	17	15	8	20000	4474
24	604.1435	4693	1	1½	12	8½	18	17	15	8	20000	4547
26	604.1435	4839	1	1½	12	8½	18	17	15	8	20000	4566
28	604.1538	5188	1	1½	12	8½	18	17	15	8	20000	4609
30	604.1538	5346	1	1½	12	8½	18	17	15	8	20000	4629
32	604.1846	6016	1	1½	12	8½	18	17	15	8	20000	4712
34	604.1846	6206	1	1½	12	8½	18	17	15	8	20000	4736
36	604.1846	6396	1	1½	12	8½	18	17	15	8	20000	4760
38	604.2153	7372	1	1½	12	8½	18	17	15	8	20000	4882
40	604.2153	7590	1	1½	12	8½	18	17	15	8	20000	4909
42	604.2153	7808	1	1½	12	8½	18	17	15	8	20000	4936
44	604.2153	8026	1	1½	12	8½	18	17	15	8	20000	4964
46	605.2166	10005	1	2	12	8½	18	17	15	16	40000	2606
48	605.2166	10275	1	2	12	8½	18	17	15	16	40000	2623
50	605.2474	12315	1	2	12	8½	18	17	15	16	40000	2750
52	605.2474	12617	1½	2	12	8½	18	17	15	16	40000	2769
54	605.2474	12919	1½	2	12	8½	18	17	15	16	40000	2788
56	605.2785	14473	1½	2	12	8½	18	17	15	16	40000	2885
58	605.2785	14819	1½	2	12	8½	18	17	15	16	40000	2907
60	605.3089	15645	1½	2	12	8½	18	17	15	16	40000	2958

NOTES:

1. Design Load = Live Load, plus 15% live load for impact, plus 4,340 lbs. for hoist and trolley.
2. Calculated for this crane with specified design load.
3. Maximum permissible wheel load on 603 *Super-Track* and 604 *SuperTrack* Girder is 2,500 Lbs. (5,000 Lbs. per two-wheel trolley). For 605 *Trojan-Track* Girder the limitation is 3,750 Lbs. (7,500 Lbs. per two-wheel trolley) when transferring through 505.7830 latch; 5,000 Lbs. (10,000 Lbs. per two-wheel trolley) when captive on bridge, or when used on *Super-TrojanTrack* Runways. (*Super-Trojan-Track* requires .75 in. min. thickness of top flange, .4375 in. min. thickness of web, and splices must be welded rather than bolted.)
4. Speeds shown are based on using 1800 RPM motors.
5. Horsepowers shown are based on using single speed motors.
6. Available non-standard speeds are 50, 110, 165, 190, 255 FPM.
7. Standard 2-Speed motors are 1800/600 RPM.
8. Weights shown are based on single speed drive with brake and controls, flat-wire festoon tagline bridge electrification, and 12" overhang each end of bridge.
9. B = Girder depth plus 2". (Tread to tread.)
10. Prices include the smaller HP shown. For larger HP, see modifications.

WARNING: Equipment described herein is not designed for and should not be used for lifting, supporting, or transporting humans. Use of the equipment for this purpose can result in serious bodily injury and/or property damage.



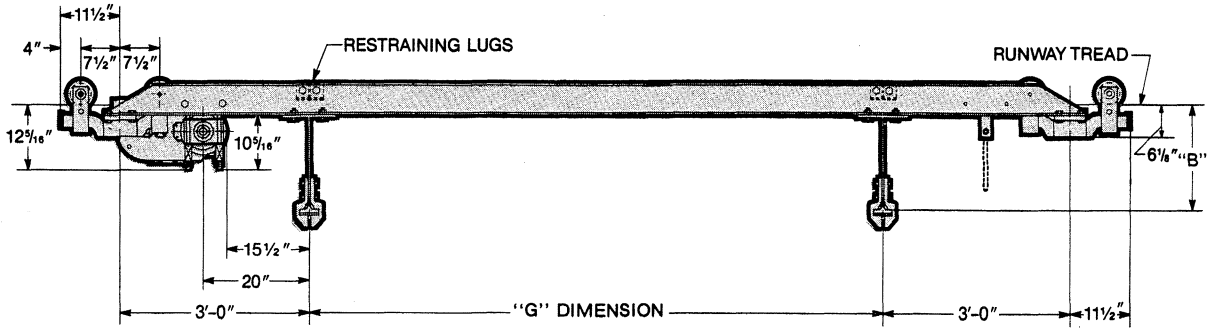
ACCO Material Handling Solutions
76 Acco Drive, Box 792, York, PA 17405-0792
717-741-4863, 800-967-7333, FAX 800-715-8897
E-mail: info@accomhs.com www.accomhs.com

© 2007 FKI Industries Inc.
Printed In USA



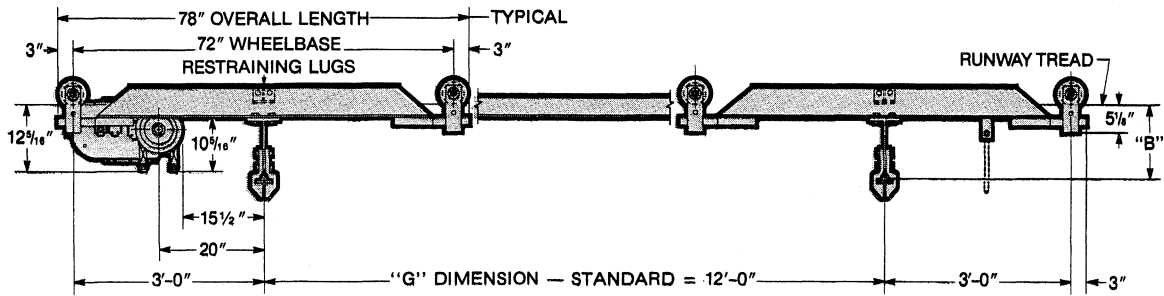
**LOUDEN® 517 DOUBLE GIRDER
MOTOR PROPELLED CRANES
WITH CENTER DRIVE**

517-9
Issued 9-7-01

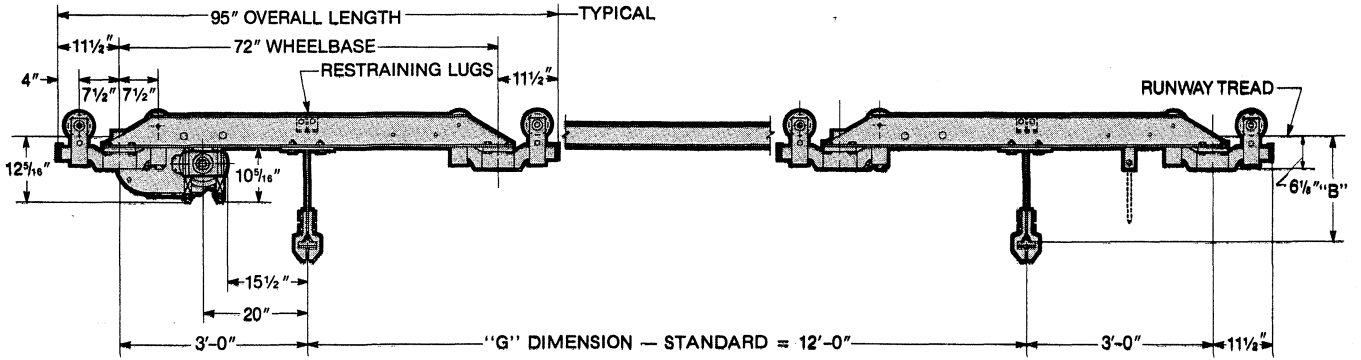


Wheelbase = "G" Plus 6'-0"
8-Wheel Crane Trucks

or



STD. Wheelbases = 6'-0", 6'-0", 6'-0"
Optional 8-Wheel Crane Trucks



STD. Wheelbases = 6'-0", 6'-0", 6'-0"
16-Wheel Crane Trucks



**LOUDEN® 517 DOUBLE GIRDER
MOTOR PROPELLED CRANES
WITH CENTER DRIVE**

517-10
Issued 9-7-01

**DOUBLE GIRDER MOTOR PROPELLED CRANES WITH
CENTER DRIVE, TO OPERATE ON TWO RUNWAYS - 3.33"
FLANGE, FOR USE WITH ELECTRIC OR AIR HOISTS ON
DOUBLE GIRDER TROLLEYS.**

Max. Span Ft.	Bridge Girder Required	Crane Weight (Lbs.)	Motor H.P.		Overhang					Crane Trucks		Wheel Load Per Pair (2)
			Speed (F.P.M.)		In. Std.	In. Min.	In. Max.	505.7824 Latch	505.7830 Latch	No. Whls.	Capacity (Max.)	
			75	135								
Catalog No. 517.15003			15000 Lbs. Capacity					23650 Lbs. Design Load (1)				
18	604.1435	4712	1	2	12	8½	18	17	15	16	40000	3251
20	604.1435	4858	1	2	12	8½	18	17	15	16	40000	3261
22	604.1538	5118	1	2	12	8½	18	17	15	16	40000	3277
24	604.1846	5932	1½	2	12	8½	18	17	15	16	40000	3327
26	604.1846	6122	1½	2	12	8½	18	17	15	16	40000	3339
28	604.1846	6312	1½	2	12	8½	18	17	15	16	40000	3351
30	604.1846	6502	1½	2	12	8½	18	17	15	16	40000	3363
32	604.2153	7460	1½	2	12	8½	18	17	15	16	40000	3423
34	604.2153	7678	1½	2	12	8½	18	17	15	16	40000	3437
36	604.2153	7896	1½	2	12	8½	18	17	15	16	40000	3450
38	604.2153	8114	1½	2	12	8½	18	17	15	16	40000	3464
40	605.2166	9595	1½	2	12	8½	18	17	15	16	40000	3556
42	605.2166	9865	1½	2	12	8½	18	17	15	16	40000	3573
44	605.2474	11084	1½	2	12	8½	18	17	15	16	40000	3649
46	605.2474	11386	1½	2	12	8½	18	17	15	16	40000	3668
48	605.2474	11688	1½	2	12	8½	18	17	15	16	40000	3687
50	605.2474	11990	1½	2	12	8½	18	17	15	16	40000	3706
52	605.2785	14907	1½	3	12	8½	18	17	15	16	40000	3888
54	605.2785	15253	1½	3	12	8½	18	17	15	16	40000	3910
56	605.3089	16047	1½	3	12	8½	18	17	15	16	40000	3960
58	605.3089	16409	1½	3	12	8½	18	17	15	16	40000	3982
60	605.3292	17131	1½	3	12	8½	18	17	15	16	40000	4027

NOTES:

- Design Load = Live Load, plus 15% live load for impact, plus 6,400 lbs. for hoist and trolley.
- Calculated for this crane with specified design load.
- Maximum permissible wheel load on 603 *SuperTrack* and 604 *SuperTrack* Girder is 2,500 Lbs. (5,000 Lbs. per two-wheel trolley). For 605 *TrojanTrack* Girder the limitation is 3,750 Lbs. (7,500 Lbs. per two-wheel trolley) when transferring through 505.7830 latch; 5,000 Lbs. (10,000 Lbs. per two-wheel trolley) when captive on bridge, or when used on *Super-TrojanTrack* Runways. (*Super-TrojanTrack* requires .75 in. min. thickness of top flange, .4375 in. min. thickness of web, and splices must be welded rather than bolted.)
- Speeds shown are based on using 1800 RPM motors.
- Horsepowers shown are based on using single speed motors.
- Available non-standard speeds are 50, 110, 165, 190, 255 FPM.
- Standard 2-Speed motors are 1800/600 RPM.
- Weights shown are based on single speed drive with brake and controls, flat-wire festoon tagline bridge electrification, and 12" overhang each end of bridge.
- B = Girder depth plus 2". (Tread to tread.)
- Prices include the smaller HP shown. For larger HP, see modifications.

WARNING: Equipment described herein is not designed for and should not be used for lifting, supporting, or transporting humans. Use of the equipment for this purpose can result in serious bodily injury and/or property damage.



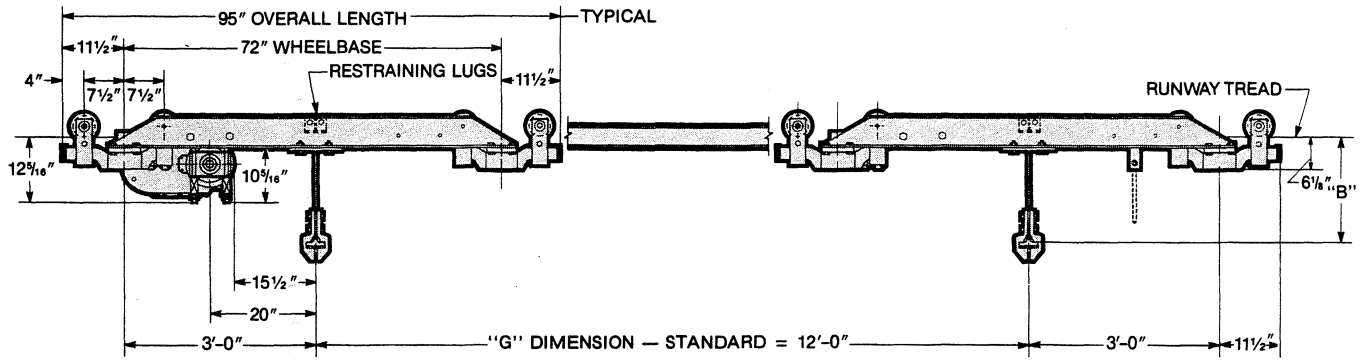
ACCO Material Handling Solutions
76 Acco Drive, Box 792, York, PA 17405-0792
717-741-4863, 800-967-7333, FAX 800-715-8897
E-mail: info@accomhs.com www.accomhs.com

© 2007 FKI Industries Inc.
Printed In USA



**LOUDEN® 517 DOUBLE GIRDER
MOTOR PROPELLED CRANES
WITH CENTER DRIVE**

517-11
Issued 9-7-01



STD. Wheelbases = 6'-0", 6'-0", 6'-0"
16-Wheel Crane Trucks



**LOUDEN® 517 DOUBLE GIRDER
MOTOR PROPELLED CRANES
WITH CENTER DRIVE**

517-12
Issued 9-7-01

**DOUBLE GIRDER MOTOR PROPELLED CRANES WITH
CENTER DRIVE, TO OPERATE ON TWO RUNWAYS - 3.33"
FLANGE, FOR USE WITH ELECTRIC OR AIR HOISTS ON
DOUBLE GIRDER TROLLEYS.**

Max. Span Ft.	Bridge Girder Required	Crane Weight (Lbs.)	Motor H.P.		Overhang					Crane Trucks		Wheel Load Per Pair (2)
			Speed (F.P.M.)		In. Std.	In. Min.	In. Max.	505.7824 Latch	505.7830 Latch	No. Whls.	Capacity (Max.)	
			75	135								
Catalog No. 517.20003			20000 Lbs. Capacity					29700 Lbs. Design Load (1)				
18	604.1538	4830	1½	2	12	8½	18	17	15	16	40000	4015
20	604.1846	5415	1½	2	12	8½	18	17	15	16	40000	4051
22	604.1846	5605	1½	2	12	8½	18	17	15	16	40000	4063
24	604.1846	5795	1½	2	12	8½	18	17	15	16	40000	4075
26	604.2153	6604	1½	2	12	8½	18	17	15	16	40000	4126
28	604.2153	6822	1½	2	12	8½	18	17	15	16	40000	4139
30	604.2153	7040	1½	2	12	8½	18	17	15	16	40000	4153
32	605.2166	8315	1½	2	12	8½	18	17	15	16	40000	4233
34	605.2166	8585	1½	2	12	8½	18	17	15	16	40000	4250
36	605.2166	8855	1½	3	12	8½	18	17	15	16	40000	4266
38	605.2166	9125	1½	3	12	8½	18	17	15	16	40000	4283
40	605.2166	9395	1½	3	12	8½	18	17	15	16	40000	4300
42	605.2474	10657	1½	3	12	8½	18	17	15	16	40000	4379
44	605.2474	10959	1½	3	12	8½	18	17	15	16	40000	4398
46	605.2474	11261	1½	3	12	8½	18	17	15	16	40000	4417
48	605.2785	12843	1½	3	12	8½	18	17	15	16	40000	4516
50	605.2785	13189	1½	3	12	8½	18	17	15	16	40000	4537
52	605.2785	13535	1½	3	12	8½	18	17	15	16	40000	4559
54	605.3089	14313	1½	3	12	8½	18	17	15	16	40000	4608
56	605.3089	14675	1½	3	12	8½	18	17	15	16	40000	4630
58	605.3292	15385	1½	3	12	8½	18	17	15	16	40000	4675

NOTES:

- Design Load = Live Load, plus 15% live load for impact, plus 6,700 lbs. for hoist and trolley.
- Calculated for this crane with specified design load.
- Maximum permissible wheel load on 603 *Super-Track* and 604 *SuperTrack* Girder is 2,500 Lbs. (5,000 Lbs. per two-wheel trolley). For 605 *Trojan-Track* Girder the limitation is 3,750 Lbs. (7,500 Lbs. per two-wheel trolley) when transferring through 505.7830 latch; 5,000 Lbs. (10,000 Lbs. per two-wheel trolley) when captive on bridge, or when used on *Super-TrojanTrack* Runways. (*Super-Trojan-Track* requires .75 in. min. thickness of top flange, .4375 in. min. thickness of web, and splices must be welded rather than bolted.)
- Speeds shown are based on using 1800 RPM motors.
- Horsepowers shown are based on using single speed motors.
- Available non-standard speeds are 50, 110, 165, 190, 255 FPM.
- Standard 2-Speed motors are 1800/600 RPM.
- Weights shown are based on single speed drive with brake and controls, flat-wire festoon tagline bridge electrification, and 12" overhang each end of bridge.
- B = Girder depth plus 2". (Tread to tread.)
- Prices include the smaller HP shown. For larger HP, see modifications.

WARNING: Equipment described herein is not designed for and should not be used for lifting, supporting, or transporting humans. Use of the equipment for this purpose can result in serious bodily injury and/or property damage.



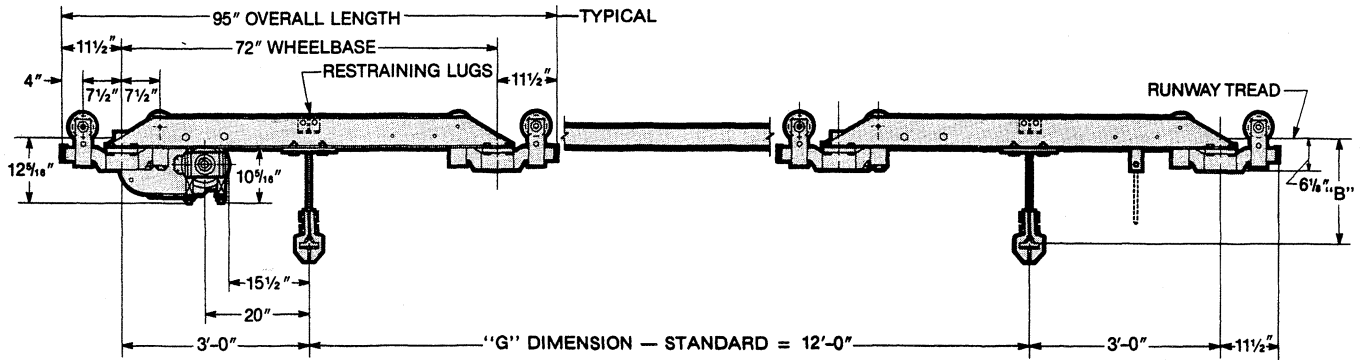
ACCO Material Handling Solutions
76 Acco Drive, Box 792, York, PA 17405-0792
717-741-4863, 800-967-7333, FAX 800-715-8897
E-mail: info@accomhs.com www.accomhs.com

© 2007 FKI Industries Inc.
Printed In USA



**LOUDEN® 517 DOUBLE GIRDER
MOTOR PROPELLED CRANES
WITH CENTER DRIVE**

517-13
Issued 9-7-01



**STD. Wheelbases = 6'-0", 6'-0", 6'-0"
16-Wheel Crane Trucks**



ACCO Material Handling Solutions
76 Acco Drive, Box 792, York, PA 17405-0792
717-741-4863, 800-967-7333, FAX 800-715-8897
E-mail: info@accomhs.com www.accomhs.com

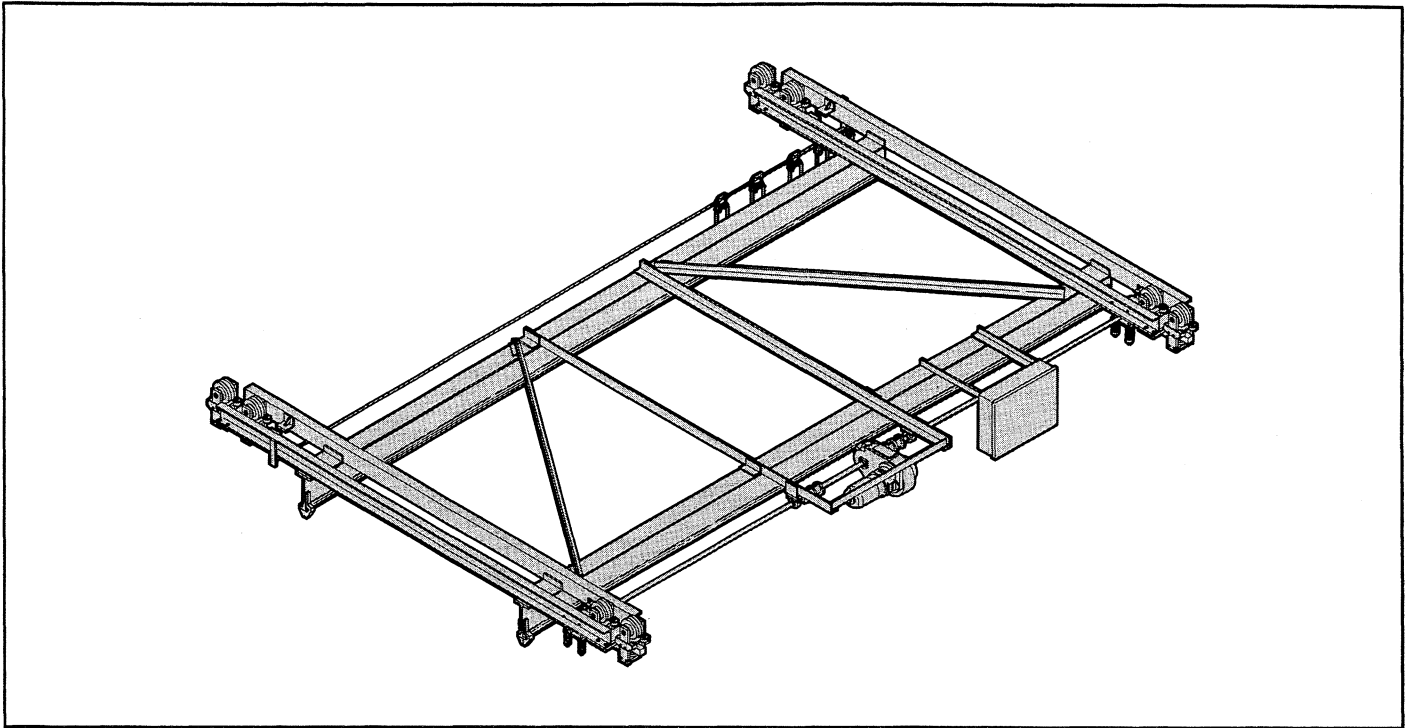
© 2007 FKI Industries Inc.
Printed In USA



**LOUDEN® 517T DOUBLE GIRDER
MOTOR PROPELLED CRANES
WITH CENTER DRIVE**

517T-14
Issued 9-7-01

Double Girder, Motor Propelled Cranes With Center Drive, To Operate on Two-Runways of 605 TrojanTrack Girder, 3.33" Operating Flange, For Use With Electric, Air, or Hand Chain Hoists



The *Louden* Series 517T center drive crane is offered in capacities of 5 through 10 tons, with spans to 60 feet. Standard bridge speeds are 75 and 135 F.P.M., single speed. Optional travel speeds (single speed) are 50, 110, 165, 190, and 255 F.P.M. Optional speeds are 2-speed, 3-speed and 5-speed will be accomplished through Variable Frequency Drives. High speeds listed above.

All speeds will have adjustable torque and speed ramps through the use of the Acco Acceleration Control Module, a solid state device providing smooth bridge motion and excellent load control.

Standard crane motors are T.E.N.V., 30 minute, with Class F insulation, 55 degree rise over 60 degree ambient. All crane motors will have an AC disc brake as standard.

Available current characteristics are 460/230 volts, 3 phase, 60 Hertz, with 115 volt control circuit.

The gear reducer utilizes Helical gears cut from solid blanks to AGMA specifications. All gears are supported at both ends of the gear shaft by tapered roller bearings, and are enclosed in an oil-tight housing and run in an oil bath.

The drive tires are spring loaded to the underside of the runways, enabling all load wheels to be idler wheels. Load wheels are drop forged and hardened to 425 Brinell minimum. Wheels are flangeless with guide rollers, 9 inch tread diameter, with tapered roller bearings.

Standard electrical equipment includes NEMA type 12 enclosure, a mainline magnetic contactor, manually operated fused mainline disconnect switch with lock out provision, branch circuit fuses, single speed magnetic reversing contactor, transformer with fused secondary, and flat wire festoon tagline bridge electrification. Festooning will consist of four power conductors and eight control conductors.

Each crane is custom designed to fit the structure from which it is to be supported. It is designed to meet or exceed the standards of the Monorail Manufacturers Association and ANSI specification #MH27.1-1996.

The 517T series crane is designed for Class C moderate service (as defined by the above ANSI standard).

The crane is fully assembled before shipment, including the tagline festoon system, The crane will be painted with one coat of yellow lead free alkyd enamel.

WARNING: Equipment described herein is not designed for and should not be used for lifting, supporting or transporting humans. Use of the equipment for this purpose can result in serious bodily injury and/or property damage.



**LOUDEN® 517T DOUBLE GIRDER
MOTOR PROPELLED CRANES
WITH CENTER DRIVE**

517T-15
Issued 9-7-01

**DOUBLE GIRDER MOTOR PROPELLED CRANES WITH
CENTER DRIVE, TO OPERATE ON TWO TROJANTRACK RUNWAYS - 3.33"
FLANGE, FOR USE WITH ELECTRIC OR AIR HOISTS ON
DOUBLE GIRDER TROLLEYS.**

Max. Span Ft.	Bridge Girder Required	Crane Weight (Lbs.)	Motor H.P.		Overhang					Crane Trucks		Wheel Load Per Pair (2)
			Speed (F.P.M.)		In. Std.	In. Min.	In. Max.	505.7824 Latch	505.7830 Latch	No. Whls.	Capacity (Max.)	
			75	135								
Catalog No. 517T.10003			10000 Lbs. Capacity					15840 Lbs. Design Load (1)				
18	605.1235	4694	1	1½	12	9½	18	18	16	8	30000	4547
20	605.1235	4840	1	1½	12	9½	18	18	16	8	30000	4565
22	605.1235	4986	1	1½	12	9½	18	18	16	8	30000	4584
24	605.1235	5132	1	1½	12	9½	18	18	16	8	30000	4602
26	605.1543	5694	1	1½	12	9½	18	18	16	8	30000	4672
28	605.1543	5872	1	1½	12	9½	18	18	16	8	30000	4694
30	605.1543	6050	1	1½	12	9½	18	18	16	8	30000	4717
32	605.1543	6228	1	1½	12	9½	18	18	16	8	30000	4739
34	605.1850	7348	1	1½	12	9½	18	18	16	8	30000	4879
36	605.1850	7554	1	1½	12	9½	18	18	16	8	30000	4905
38	605.1850	7760	1	1½	12	9½	18	18	16	8	30000	4930
40	605.1850	7966	1	1½	12	9½	18	18	16	8	30000	4956
42	605.2166	9582	1	1½	12	9½	18	18	16	8	30000	5158
44	605.2166	9852	1	1½	12	9½	18	18	16	8	30000	5192
46	605.2166	10122	1	2	12	9½	18	18	16	8	30000	5226
48	605.2166	10392	1	2	12	9½	18	18	16	8	30000	5259
50	605.2474	11475	1	2	12	9½	18	18	16	8	30000	5395
52	605.2474	11777	1	2	12	9½	18	18	16	8	30000	5433
54	605.2474	12079	1	2	12	9½	18	18	16	8	30000	5470
56	605.2785	13759	1½	2	12	9½	18	18	16	8	30000	5680
58	605.2785	14105	1½	2	12	9½	18	18	16	8	30000	5724
60	605.3089	14931	1½	2	12	9½	18	18	16	8	30000	5827

NOTES:

1. Design Load = Live Load, plus 15% live load for impact, plus 4,340 lbs. for hoist and trolley.
2. Calculated for this crane with specified design load.
3. Maximum permissible wheel load on 603 *SuperTrack* and 604 *SuperTrack* Girder is 2,500 Lbs. (5,000 Lbs. per two-wheel trolley). For 605 *TrojanTrack* Girder the limitation is 3,750 Lbs. (7,500 Lbs. per two-wheel trolley) when transferring through 505.7830 latch; 5,000 Lbs. (10,000 Lbs. per two-wheel trolley) when captive on bridge, or when used on *Super-TrojanTrack* Runways. (*Super-TrojanTrack* requires .75 in. min. thickness of top flange, .4375 in. min. thickness of web, and splices must be welded rather than bolted.)

4. Speeds shown are based on using 1800 RPM motors.
5. Horsepowers shown are based on using single speed motors.
6. Available non-standard speeds are 50, 110, 165, 190, 255 FPM.
7. Standard 2-Speed motors are 1800/600 RPM.
8. Weights shown are based on single speed drive with brake and controls, flat-wire festoon tagline bridge electrification, and 12" overhang each end of bridge.
9. B = Girder depth plus 2". (Tread to tread.)
10. Prices include the smaller HP shown. For larger HP, see modifications.
11. **40,000 Lb. Trojan End Trucks (9" Dia. wheels) must run on Super TrojanTrack Runways.**

WARNING: Equipment described herein is not designed for and should not be used for lifting, supporting, or transporting humans. Use of the equipment for this purpose can result in serious bodily injury and/or property damage.



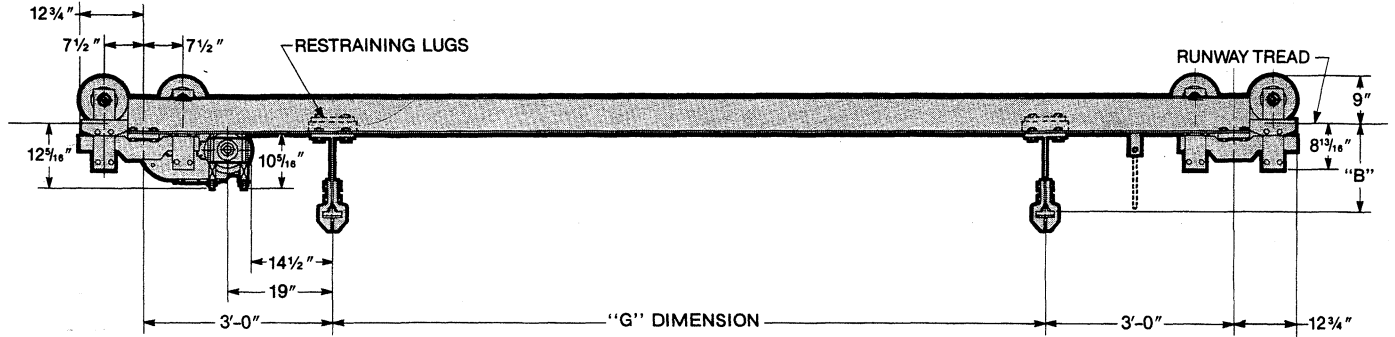
ACCO Material Handling Solutions
76 Acco Drive, Box 792, York, PA 17405-0792
717-741-4863, 800-967-7333, FAX 800-715-8897
E-mail: info@accomhs.com www.accomhs.com

© 2007 FKI Industries Inc.
Printed In USA



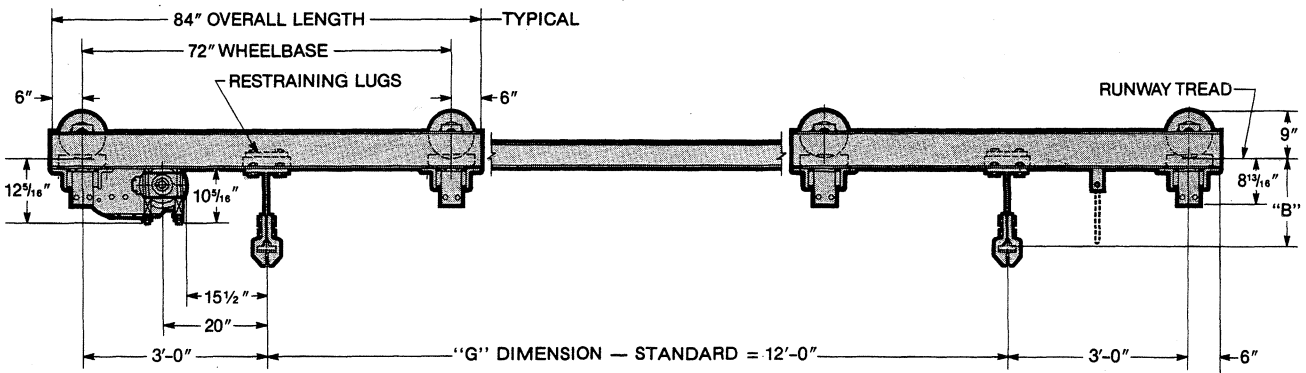
**Lowden® 517T DOUBLE GIRDER
MOTOR PROPELLED CRANES
WITH CENTER DRIVE**

517T-16
Issued 9-7-01



**Wheelbase = "G" Plus 6'-0"
8-Wheel Trojan Crane Trucks**

or



**STD. Wheelbases = 6'-0", 6'-0", 6'-0"
Optional 8-Wheel Trojan Crane Trucks**



**Louden[®] 517T DOUBLE GIRDER
MOTOR PROPELLED CRANES
WITH CENTER DRIVE**

517T-17
Issued 9-7-01

**DOUBLE GIRDER MOTOR PROPELLED CRANES WITH
CENTER DRIVE, TO OPERATE ON TWO TROJANTRACK RUNWAYS - 3.33"
FLANGE, FOR USE WITH ELECTRIC OR AIR HOISTS ON
DOUBLE GIRDER TROLLEYS.**

Max. Span Ft.	Bridge Girder Required	Crane Weight (Lbs.)	Motor H.P.		Overhang					Crane Trucks		Wheel Load Per Pair (2)
			Speed (F.P.M.)		In. Std.	In. Min.	In. Max.	505.7824 Latch	505.7830 Latch	No. Whls.	Capacity (Max.)	
			75	135								
Catalog No. 517T.15003			15000 Lbs. Capacity					23650 Lbs. Design Load (1)				
18	605.1235	5010	1	2	12	9½	18	N.A.	16	8	30000	6539
20	605.1235	5156	1	2	12	9½	18	N.A.	16	8	30000	6557
22	605.1543	5674	1½	2	12	9½	18	N.A.	16	8	30000	6622
24	605.1543	5852	1½	2	12	9½	18	N.A.	16	8	30000	6644
26	605.1543	6030	1½	2	12	9½	18	N.A.	16	8	30000	6667
28	605.1543	6208	1½	2	12	9½	18	N.A.	16	8	30000	6689
30	605.1850	6849	1½	2	12	9½	18	N.A.	16	8	30000	6769
32	605.1850	7055	1½	2	12	9½	18	N.A.	16	8	30000	6795
34	605.1850	7261	1½	2	12	9½	18	N.A.	16	8	30000	6821
36	605.2166	8630	1½	2	12	9½	18	N.A.	16	8	30000	6992
38	605.2166	8900	1½	2	12	9½	18	N.A.	16	8	30000	7025
40	605.2166	9170	1½	2	12	9½	18	N.A.	16	8	30000	7059
42	605.2166	9440	1½	2	12	9½	18	N.A.	16	8	30000	7093
44	605.2474	10759	1½	2	12	9½	18	N.A.	16	8	30000	7258
46	605.2474	11061	1½	2	12	9½	18	N.A.	16	8	30000	7296
48	605.2474	11363	1½	2	12	9½	18	N.A.	16	8	30000	7333
50	605.2474	11665	1½	2	12	9½	18	N.A.	16	8	30000	7371
52	605.2785	12954	1½	2	12	9½	18	N.A.	16	8	40000	7532
54	605.2785	13620	1½	2	12	9½	18	N.A.	16	8	40000	7615
56	605.3089	14414	1½	3	12	9½	18	N.A.	16	8	40000	7715
58	605.3089	14776	1½	3	12	9½	18	N.A.	16	8	40000	7760
60	605.3292	15498	1½	3	12	9½	18	N.A.	16	8	40000	7850

NOTES:

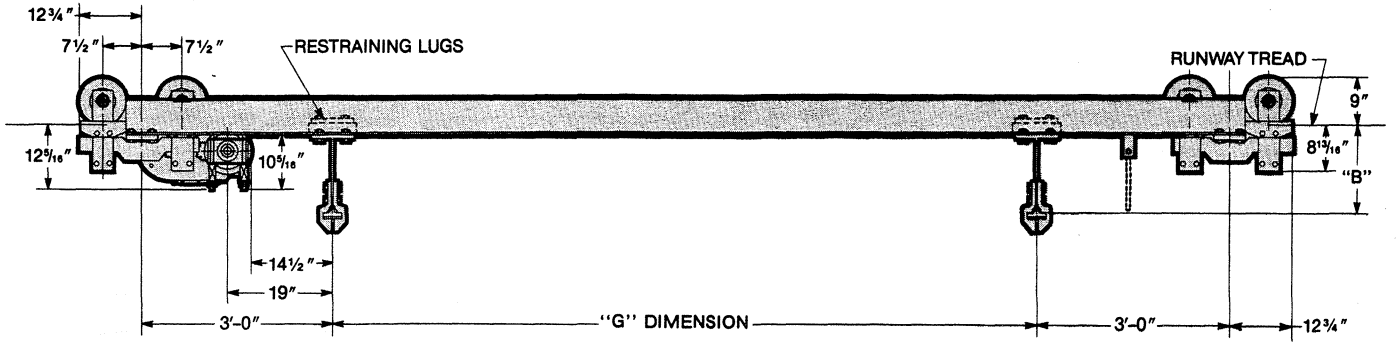
- Design Load = Live Load, plus 15% live load for impact, plus 6,400 lbs. for hoist and trolley.
- Calculated for this crane with specified design load.
- Maximum permissible wheel load on 603 SuperTrack and 604 SuperTrack Girder is 2,500 Lbs. (5,000 Lbs. per two-wheel trolley). For 605 TrojanTrack Girder the limitation is 3,750 Lbs. (7,500 Lbs. per two-wheel trolley) when transferring through 505.7830 latch; 5,000 Lbs. (10,000 Lbs. per two-wheel trolley) when captive on bridge, or when used on Super-TrojanTrack Runways. (Super-TrojanTrack requires .75 in. min. thickness of top flange, .4375 in. min. thickness of web, and splices must be welded rather than bolted.)
- Speeds shown are based on using 1800 RPM motors.
- Horsepowers shown are based on using single speed motors.
- Available non-standard speeds are 50, 110, 165, 190, 255 FPM.
- Standard 2-Speed motors are 1800/600 RPM.
- Weights shown are based on single speed drive with brake and controls, flat-wire festoon tagline bridge electrification, and 12" overhang each end of bridge.
- B = Girder depth plus 2". (Tread to tread.)
- Prices include the smaller HP shown. For larger HP, see modifications.
- 40,000 Lb. Trojan End Trucks (9" Dia. wheels) must run on Super TrojanTrack Runways.**

WARNING: Equipment described herein is not designed for and should not be used for lifting, supporting, or transporting humans. Use of the equipment for this purpose can result in serious bodily injury and/or property damage.



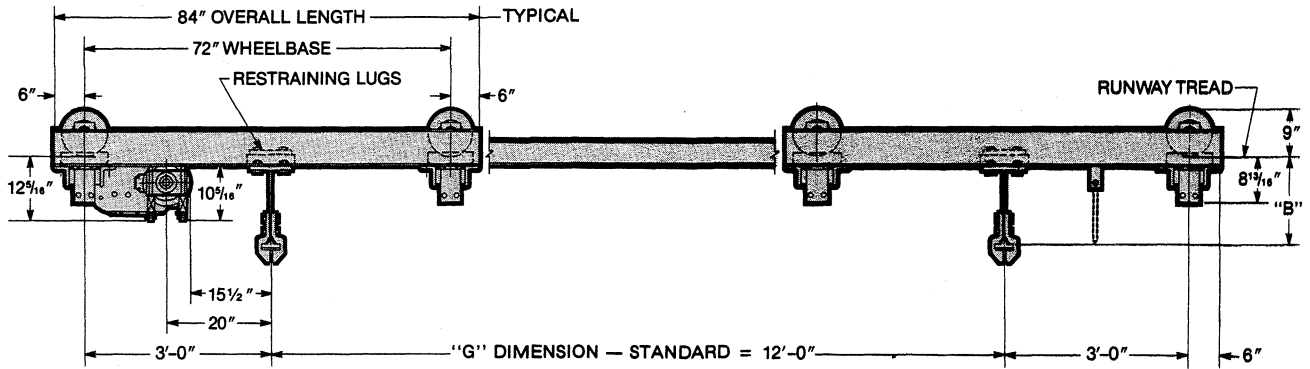
**LOUDEN® 517T DOUBLE GIRDER
MOTOR PROPELLED CRANES
WITH CENTER DRIVE**

517T-18
Issued 9-7-01



**Wheelbase = "G" Plus 6'-0"
8-Wheel Trojan Crane Trucks**

or



**STD. Wheelbases = 6'-0", 6'-0", 6'-0"
Optional 8-Wheel Trojan Crane Trucks**



**LOUDEN® 517T DOUBLE GIRDER
MOTOR PROPELLED CRANES
WITH CENTER DRIVE**

517T-19
Issued 9-7-01

**DOUBLE GIRDER MOTOR PROPELLED CRANES WITH
CENTER DRIVE, TO OPERATE ON TWO TROJANTRACK RUNWAYS - 3.33"
FLANGE, FOR USE WITH ELECTRIC OR AIR HOISTS ON
DOUBLE GIRDER TROLLEYS.**

Max. Span Ft.	Bridge Girder Required	Crane Weight (Lbs.)	Motor H.P.		Overhang					Crane Trucks		Wheel Load Per Pair (2)
			Speed (F.P.M.)		In. Std.	In. Min.	In. Max.	505.7824 Latch	505.7830 Latch	No. Whls.	Capacity (Max.)	
			75	135								
Catalog No. 517T.20003			20000 Lbs. Capacity					29700 Lbs. Design Load (1)				
18	605.1235	5352	1½	2	12	9½	18	N.A.	16	8	40000	8094
20	605.1543	5818	1½	2	12	9½	18	N.A.	16	8	40000	8153
22	605.1543	5996	1½	2	12	9½	18	N.A.	16	8	40000	8175
24	605.1543	6174	1½	2	12	9½	18	N.A.	16	8	40000	8197
26	605.1850	6879	1½	2	12	9½	18	N.A.	16	8	40000	8285
28	605.1850	7085	1½	2	12	9½	18	N.A.	16	8	40000	8311
30	605.1850	7291	1½	2	12	9½	18	N.A.	16	8	40000	8337
32	605.1850	7497	1½	2	12	9½	18	N.A.	16	8	40000	8363
34	605.2166	9129	1½	3	12	9½	18	N.A.	16	8	40000	8567
36	605.2166	9399	1½	3	12	9½	18	N.A.	16	8	40000	8600
38	605.2166	9669	1½	3	12	9½	18	N.A.	16	8	40000	8634
40	605.2166	9939	1½	3	12	9½	18	N.A.	16	8	40000	8668
42	605.2474	11518	1½	3	12	9½	18	N.A.	16	8	40000	8865
44	605.2474	11820	1½	3	12	9½	18	N.A.	16	8	40000	8903
46	605.2474	12122	1½	3	12	9½	18	N.A.	16	8	40000	8941
48	605.2785	13288	1½	3	12	9½	18	N.A.	16	8	40000	9086
50	605.2785	13634	1½	3	12	9½	18	N.A.	16	8	40000	9130
52	605.2785	13980	1½	3	12	9½	18	N.A.	16	8	40000	9173
54	605.3089	14758	1½	3	12	9½	18	N.A.	16	8	40000	9270
56	605.3089	15120	1½	3	12	9½	18	N.A.	16	8	40000	9315
58	605.3292	15830	1½	3	12	9½	18	N.A.	16	8	40000	9404

NOTES:

1. Design Load = Live Load, plus 15% live load for impact, plus 6,700 lbs. for hoist and trolley.
2. Calculated for this crane with specified design load.
3. Maximum permissible wheel load on 603 SuperTrack and 604 SuperTrack Girder is 2,500 Lbs. (5,000 Lbs. per two-wheel trolley). For 605 TrojanTrack Girder the limitation is 3,750 Lbs. (7,500 Lbs. per two-wheel trolley) when transferring through 505.7830 latch; 5,000 Lbs. (10,000 Lbs. per two-wheel trolley) when captive on bridge, or when used on Super-TrojanTrack Runways. (Super-TrojanTrack requires .75 in. min. thickness of top flange, .4375 in. min. thickness of web, and splices must be welded rather than bolted.)

4. Speeds shown are based on using 1800 RPM motors.
5. Horsepowers shown are based on using single speed motors.
6. Available non-standard speeds are 50, 110, 165, 190, 255 FPM.
7. Standard 2-Speed motors are 1800/600 RPM.
8. Weights shown are based on single speed drive with brake and controls, flat-wire festoon tagline bridge electrification, and 12" overhang each end of bridge.
9. B = Girder depth plus 2". (Tread to tread.)
10. Prices include the smaller HP shown. For larger HP, see modifications.
11. **40,000 Lb. Trojan End Trucks (9" Dia. wheels) must run on Super TrojanTrack Runways.**

WARNING: Equipment described herein is not designed for and should not be used for lifting, supporting, or transporting humans. Use of the equipment for this purpose can result in serious bodily injury and/or property damage.



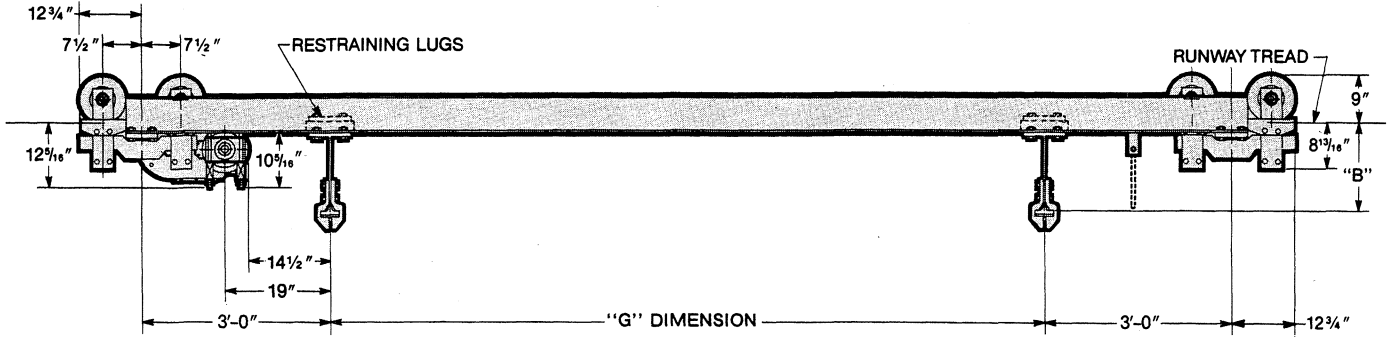
ACCO Material Handling Solutions
76 Acco Drive, Box 792, York, PA 17405-0792
717-741-4863, 800-967-7333, FAX 800-715-8897
E-mail: info@accomhs.com www.accomhs.com

© 2007 FKI Industries Inc.
Printed In USA



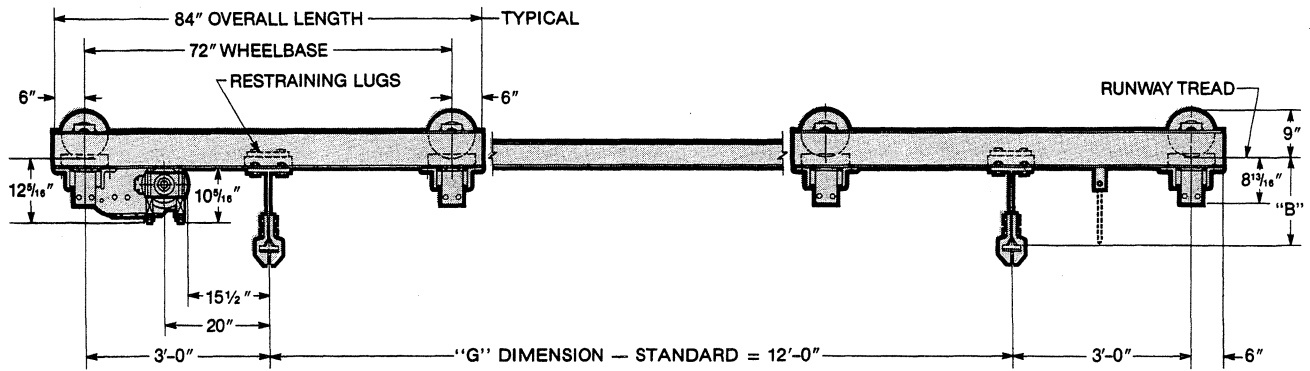
**LOUDEN® 517T DOUBLE GIRDER
MOTOR PROPELLED CRANES
WITH CENTER DRIVE**

517T-20
Issued 9-7-01



**Wheelbase = "G" Plus 6'-0"
8-Wheel Trojan Crane Trucks**

or



**STD. Wheelbases = 6'-0", 6'-0", 6'-0"
Optional 8-Wheel Trojan Crane Trucks**



**LOUDEN® 517T DOUBLE GIRDER
MOTOR PROPELLED CRANES
WITH CENTER DRIVE**

517T-21
Issued 9-7-01

**DOUBLE GIRDER MOTOR PROPELLED CRANES WITH
CENTER DRIVE, TO OPERATE ON TWO TROJANTRACK RUNWAYS - 3.33"
FLANGE, FOR USE WITH ELECTRIC OR AIR HOISTS ON
DOUBLE GIRDER TROLLEYS.**

Max. Span Ft.	Bridge Girder Required	Crane Weight (Lbs.)	Motor H.P.		Overhang					Crane Trucks		Wheel Load Per Pair (2)
			Speed (F.P.M.)		In. Std.	In. Min.	In. Max.	505.7824 Latch	505.7830 Latch	No. Whls.	Capacity (Max.)	
			75	135								
Catalog No. 517T.20003			20000 Lbs. Capacity					29700 Lbs. Design Load (1)				
18	605.1235	6507	1½	2	12	9½	18	N.A.	16	16	60000	4120
20	605.1543	6973	1½	2	12	9½	18	N.A.	16	16	60000	4149
22	605.1543	7151	1½	2	12	9½	18	N.A.	16	16	60000	4160
24	605.1543	7329	1½	2	12	9½	18	N.A.	16	16	60000	4171
26	605.1850	8034	1½	2	12	9½	18	N.A.	16	16	60000	4215
28	605.1850	8240	1½	2	12	9½	18	N.A.	16	16	60000	4228
30	605.1850	8446	1½	2	12	9½	18	N.A.	16	16	60000	4241
32	605.1850	8652	1½	2	12	9½	18	N.A.	16	16	60000	4254
34	605.2166	10284	1½	3	12	9½	18	N.A.	16	16	60000	4356
36	605.2166	10554	1½	3	12	9½	18	N.A.	16	16	60000	4373
38	605.2166	10824	1½	3	12	9½	18	N.A.	16	16	60000	4389
40	605.2166	11094	1½	3	12	9½	18	N.A.	16	16	60000	4406
42	605.2474	12673	1½	3	12	9½	18	N.A.	16	16	60000	4505
44	605.2474	12975	1½	3	12	9½	18	N.A.	16	16	60000	4524
46	605.2474	13277	1½	3	12	9½	18	N.A.	16	16	60000	4543
48	605.2785	14443	1½	3	12	9½	18	N.A.	16	16	60000	4616
50	605.2785	14789	1½	3	12	9½	18	N.A.	16	16	60000	4637
52	605.2785	15135	1½	3	12	9½	18	N.A.	16	16	60000	4659
54	605.3089	15913	1½	3	12	9½	18	N.A.	16	16	60000	4708
56	605.3089	16275	1½	3	12	9½	18	N.A.	16	16	60000	4730
58	605.3292	16985	1½	3	12	9½	18	N.A.	16	16	60000	4775

NOTES:

- Design Load = Live Load, plus 15% live load for impact, plus 6,700 lbs. for hoist and trolley.
- Calculated for this crane with specified design load.
- Maximum permissible wheel load on 603 *SuperTrack* and 604 *SuperTrack* Girder is 2,500 Lbs. (5,000 Lbs. per two-wheel trolley). For 605 *TrojanTrack* Girder the limitation is 3,750 Lbs. (7,500 Lbs. per two-wheel trolley) when transferring through 505.7830 latch; 5,000 Lbs. (10,000 Lbs. per two-wheel trolley) when captive on bridge, or when used on *Super-TrojanTrack* Runways. (*Super-TrojanTrack* requires .75 in. min. thickness of top flange, .4375 in. min. thickness of web, and splices must be welded rather than bolted.)
- Speeds shown are based on using 1800 RPM motors.
- Horsepowers shown are based on using single speed motors.
- Available non-standard speeds are 50, 110, 165, 190, 255 FPM.
- Standard 2-Speed motors are 1800/600 RPM.
- Weights shown are based on single speed drive with brake and controls, flat-wire festoon tagline bridge electrification, and 12" overhang each end of bridge.
- B = Girder depth plus 2". (Tread to tread.)
- Prices include the smaller HP shown. For larger HP, see modifications.
- 40,000 Lb. Trojan End Trucks (9" Dia. wheels) must run on Super TrojanTrack Runways.**

WARNING: Equipment described herein is not designed for and should not be used for lifting, supporting, or transporting humans. Use of the equipment for this purpose can result in serious bodily injury and/or property damage.



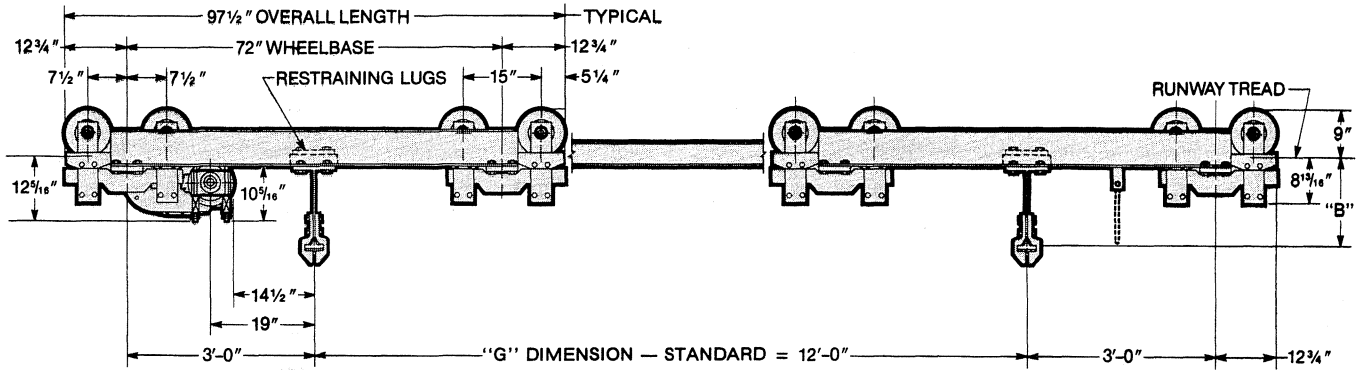
ACCO Material Handling Solutions
76 Acco Drive, Box 792, York, PA 17405-0792
717-741-4863, 800-967-7333, FAX 800-715-8897
E-mail: info@accomhs.com www.accomhs.com

© 2007 FKI Industries Inc.
Printed In USA



**LOUDEN® 517T DOUBLE GIRDER
MOTOR PROPELLED CRANES
WITH CENTER DRIVE**

517T-22
Issued 9-7-01



STD. Wheelbases = 6'-0", 6'-0", 6'-0"
16-Wheel Trojan Crane Trucks



**LOUDEN[®] 517T DOUBLE GIRDER
MOTOR PROPELLED CRANES
WITH CENTER DRIVE**

517T-23
Issued 9-7-01

**DOUBLE GIRDER MOTOR PROPELLED CRANES WITH
CENTER DRIVE, TO OPERATE ON TWO TROJANTRACK RUNWAYS - 3.33"
FLANGE, FOR USE WITH ELECTRIC OR AIR HOISTS ON
DOUBLE GIRDER TROLLEYS.**

Max. Span Ft.	Bridge Girder Required	Crane Weight (Lbs.)	Motor H.P.		Overhang					Crane Trucks		Wheel Load Per Pair (2)
			Speed (F.P.M.)		In. Std.	In. Min.	In. Max.	505.7824 Latch	505.7830 Latch	No. Whls.	Capacity (Max.)	
			75	135								
Catalog No. 517T.30003			30000 Lbs. Capacity					42830 Lbs. Design Load (1)				
18	605.1543	6847	2	3	12	9½	18	N.A.	16	16	60000	5782
20	605.1850	7301	2	3	12	9½	18	N.A.	16	16	60000	5811
22	605.1850	7501	2	3	12	9½	18	N.A.	16	16	60000	5823
24	605.1850	7701	2	3	12	9½	18	N.A.	16	16	60000	5836
26	605.2166	8950	2	3	12	9½	18	N.A.	16	16	60000	5914
28	605.2166	9214	2	3	12	9½	18	N.A.	16	16	60000	5930
30	605.2166	9478	2	3	12	9½	18	N.A.	16	16	60000	5947
32	605.2166	9742	2	3	12	9½	18	N.A.	16	16	60000	5963
34	605.2474	10880	2	3	12	9½	18	N.A.	16	16	60000	6034
36	605.2474	11176	2	3	12	9½	18	N.A.	16	16	60000	6053
38	605.2474	11472	2	3	12	9½	18	N.A.	16	16	60000	6071
40	605.2785	13325	3	5	12	9½	18	N.A.	16	16	60000	6187
42	605.2785	13665	3	5	12	9½	18	N.A.	16	16	60000	6208
44	605.2785	14005	3	5	12	9½	18	N.A.	16	16	60000	6230
46	605.2785	14345	3	5	12	9½	18	N.A.	16	16	60000	6251
48	605.3089	15043	3	5	12	9½	18	N.A.	16	16	60000	6294
50	605.3089	15399	3	5	12	9½	18	N.A.	16	16	60000	6317
52	605.3292	16091	3	5	12	9½	18	N.A.	16	16	60000	6360

NOTES:

- Design Load = Live Load, plus 15% live load for impact, plus 8,330 lbs. for hoist and trolley.
- Calculated for this crane with specified design load.
- Maximum permissible wheel load on 603 *SuperTrack* and 604 *SuperTrack* Girder is 2,500 Lbs. (5,000 Lbs. per two-wheel trolley). For 605 *TrojanTrack* Girder the limitation is 3,750 Lbs. (7,500 Lbs. per two-wheel trolley) when transferring through 505.7830 latch; 5,000 Lbs. (10,000 Lbs. per two-wheel trolley) when captive on bridge, or when used on *Super-TrojanTrack* Runways. (*Super-TrojanTrack* requires .75 in. min. thickness of top flange, .4375 in. min. thickness of web, and splices must be welded rather than bolted.)
- Speeds shown are based on using 1800 RPM motors.
- Horsepowers shown are based on using single speed motors.
- Available non-standard speeds are 50, 110, 165, 190, 255 FPM.
- Standard 2-Speed motors are 1800/600 RPM.
- Weights shown are based on single speed drive with brake and controls, flat-wire festoon tagline bridge electrification, and 12" overhang each end of bridge.
- B = Girder depth plus 2". (Tread to tread.)
- Prices include the smaller HP shown. For larger HP, see modifications.
- 40,000 Lb. Trojan End Trucks (9" Dia. wheels) must run on Super TrojanTrack Runways.**

WARNING: Equipment described herein is not designed for and should not be used for lifting, supporting, or transporting humans. Use of the equipment for this purpose can result in serious bodily injury and/or property damage.



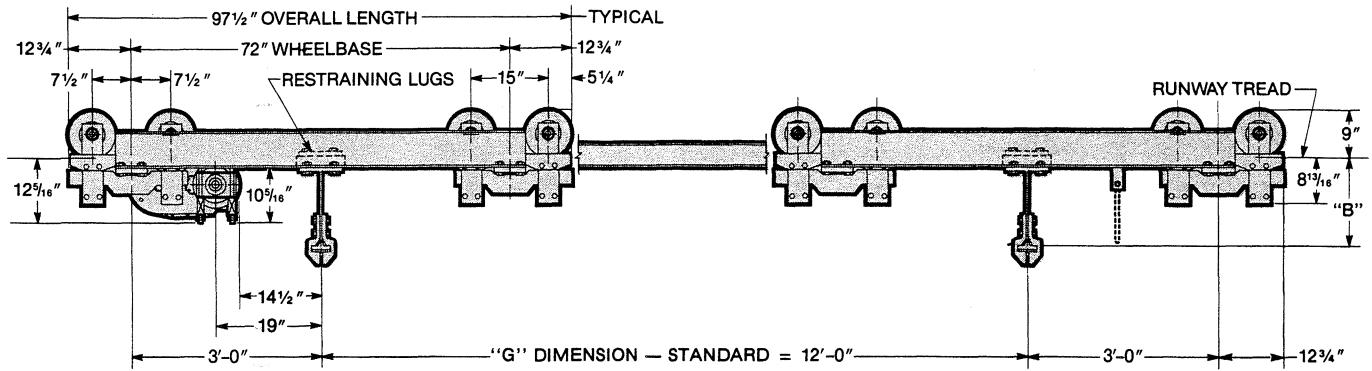
ACCO Material Handling Solutions
76 Acco Drive, Box 792, York, PA 17405-0792
717-741-4863, 800-967-7333, FAX 800-715-8897
E-mail: info@accomhs.com www.accomhs.com

© 2007 FKI Industries Inc.
Printed In USA



**LOUDEN® 517T DOUBLE GIRDER
MOTOR PROPELLED CRANES
WITH CENTER DRIVE**

517T-24
Issued 9-7-01



**STD. Wheelbases = 6'-0", 6'-0", 6'-0"
16-Wheel Trojan Crane Trucks**

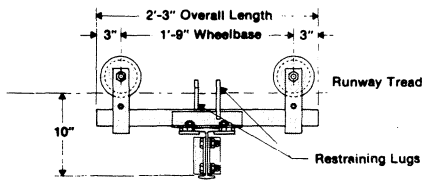
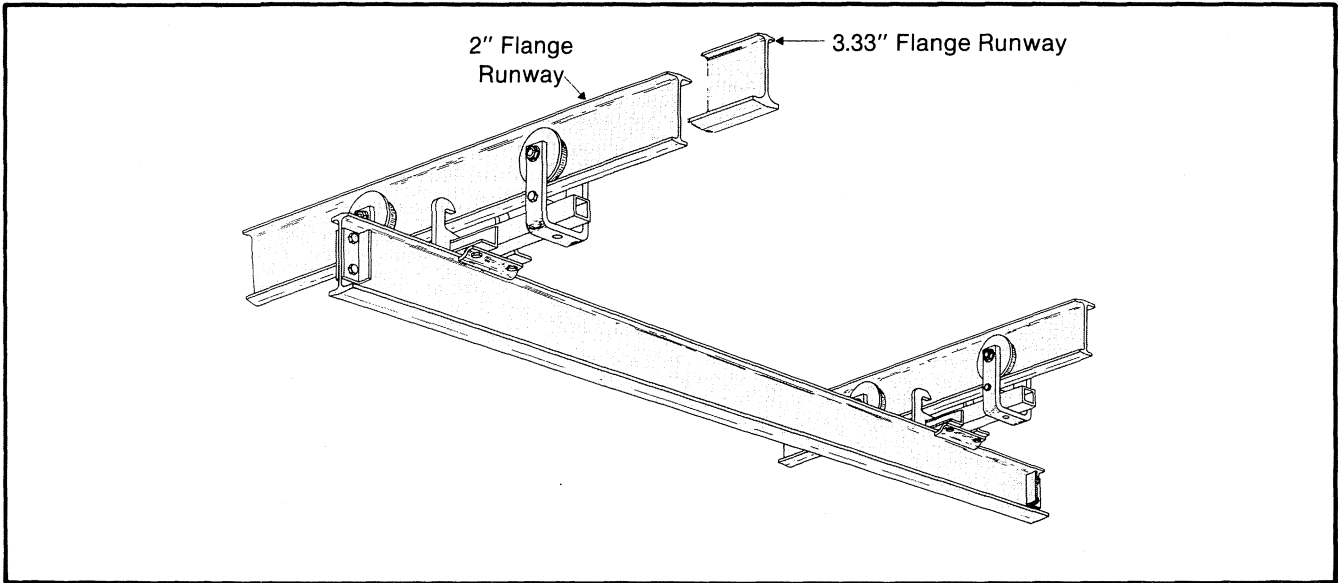


ACCO Material Handling Solutions
76 Acco Drive, Box 792, York, PA 17405-0792
717-741-4863, 800-967-7333, FAX 800-715-8897
E-mail: info@accomhs.com www.accomhs.com

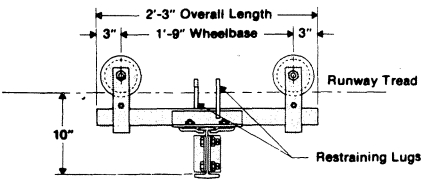
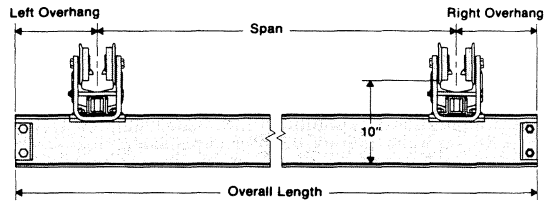
© 2007 FKI Industries Inc.
Printed In USA



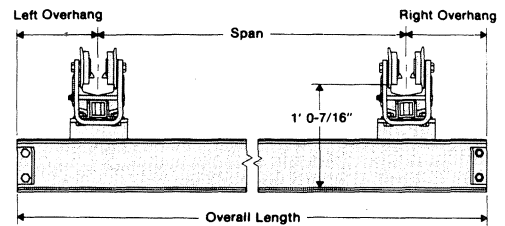
**Hand Propelled, Single Girder, Two-Runway Cranes
To Operate on 2" or 3.33" Flange Runways, for use With Electric, Air or Hand Chain Hoists.**



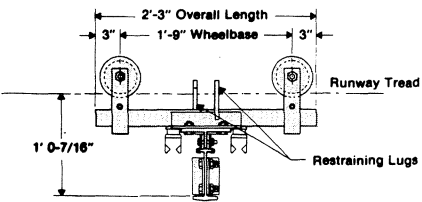
602.6 Bridge Non-Electrified



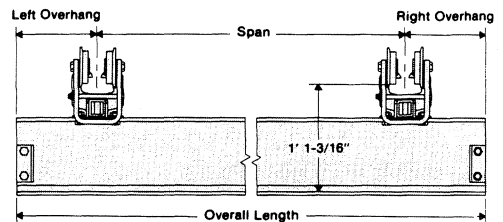
603.6 Bridge Non-Electrified



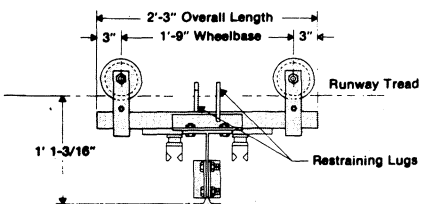
Electrification Not Shown



603.6 Bridge Electrified



Electrification Not Shown



604.922 Bridge Electrified



**Louden® HAND PROPELLED CRANES WITH
FULL DEPTH GIRDERS**

551-2
Issued 9-7-01

**Hand Propelled, Single Girder, Two-Runway Cranes
To Operate on 2" Flange Runways, for use with Chain Hoists Only.**

Max Span Ft.	Bridge Girder Required	Crane Weight (Lbs.)	Overhang				Crane Trucks			Wheel Load Per Pair (2)
			In. Std.	In. Min.	In. Max.	505.7824 Latch	No. Whls.	Capacity Maximum	Wheel Base	
Catalog No. 551.1002			1000 Lbs. Capacity				1150 Lbs. Design Load (1)			
8	603.6	243	12	6	18	12	4	3000	1'-9"	636
10	603.6	271	12	6	18	12	4	3000	1'-9"	643
12	603.6	299	12	6	18	12	4	3000	1'-9"	650
14	603.7	423	12	6	18	12	4	3000	1'-9"	681
16	603.7	463	12	6	18	12	4	3000	1'-9"	691
18	603.7	503	12	6	18	12	4	3000	1'-9"	701

NOTES:

1. Design Load = Live Load, plus 15% live load for impact, plus 150 lbs. for hoist and trolley. (7500 Lbs. per two-wheel trolley) when transferring through 505.7830 latch; 5,000 Lbs. (10,000 Lbs. per two-wheel trolley) when captive on bridge, or when used on Super-Trojan Track Runways. (Super-Trojan Track requires .75 in. min. thickness of top flange, .4375 in. min. thickness of web, and splices must be welded rather than bolted.)
2. Calculated for this crane with specified design load, but without added peripheral equipment.
3. Maximum permissible wheel load on 603 Super-track and 604 type Supertrack. Supertrack Girder is 2,500 Lbs. (5,000 Lbs. per two-wheel trolley). For 605 Trojan Track Girder the limitation is 3,750 Lbs.

Max Span Ft.	Bridge Girder Required	Crane Weight (Lbs.)	Overhang				Crane Trucks			Wheel Load Per Pair (2)
			In. Std.	In. Min.	In. Max.	505.7824 Latch	No. Whls.	Capacity Maximum	Wheel Base	
Catalog No. 551.2002			2000 Lbs. Capacity				2200 Lbs. Design Load (1)			
8	603.6	243	12	6	18	12	4	3000	1'-9"	1161
10	603.7	343	12	6	18	12	4	3000	1'-9"	1186
12	603.7	383	12	6	18	12	4	3000	1'-9"	1196
14	603.7	423	12	6	18	12	4	3000	1'-9"	1206
16	603.7	463	12	6	18	12	4	3000	1'-9"	1216
18	603.7	503	12	6	18	12	4	3000	1'-9"	1226

NOTES:

1. Design Load = Live Load, plus 15% live load for impact, plus 200 lbs. for hoist and trolley. (7500 Lbs. per two-wheel trolley) when transferring through 505.7830 latch; 5,000 Lbs. (10,000 Lbs. per two-wheel trolley) when captive on bridge, or when used on Super-Trojan Track Runways. (Super-Trojan Track requires .75 in. min. thickness of top flange, .4375 in. min. thickness of web, and splices must be welded rather than bolted.)
2. Calculated for this crane with specified design load, but without added peripheral equipment.
3. Maximum permissible wheel load on 603 Super-track and 604 type Supertrack. Supertrack Girder is 2,500 Lbs. (5,000 Lbs. per two-wheel trolley). For 605 Trojan Track Girder the limitation is 3,750 Lbs.

WARNING: Equipment described herein is not designed for and should not be used for lifting, supporting, or transporting humans. Use of the equipment for this purpose can result in serious bodily injury and / or property damage.



**LOUDEN® HAND PROPELLED CRANES WITH
FULL DEPTH GIRDERS**

551-3
Issued 9-7-01

**Hand Propelled, Single Girder, Two-Runway Cranes
To Operate on 2" Flange Runways, for use with Electric, Air or Hand Chain Hoists.**

Max Span Ft.	Bridge Girder Required	Crane Weight (Lbs.)	Overhang				Crane Trucks			Wheel Load Per Pair (2)
			In. Std.	In. Min.	In. Max.	505.7824 Latch	No. Whls.	Capacity Maximum	Wheel Base	
Catalog No. 551.1002-E			1000 Lbs. Capacity				1550 Lbs. Design Load (1)			
8	603.6	243	12	6	18	12	4	3000	1'-9"	836
10	603.6	271	12	6	18	12	4	3000	1'-9"	843
12	603.7	383	12	6	18	12	4	3000	1'-9"	871
14	603.7	423	12	6	18	12	4	3000	1'-9"	881
16	603.7	463	12	6	18	12	4	3000	1'-9"	891
18	603.7	503	12	6	18	12	4	3000	1'-9"	901

NOTES:

- Design Load = Live Load, plus 15% live load for impact, plus 400 lbs. for hoist and trolley. (7500 Lbs. per two-wheel trolley) when transferring through 505.7830 latch; 5,000 Lbs. (10,000 Lbs. per two-wheel trolley) when captive on bridge, or when used on Super-Trojan Track Runways. (Super-Trojan Track requires .75 in. min. thickness of top flange, .4375 in. min. thickness of web, and splices must be welded rather than bolted.)
- Calculated for this crane with specified design load, but without added peripheral equipment.
- Maximum permissible wheel load on 603 Super-track and 604 type Supertrack. Supertrack Girder is 2,500 Lbs. (5,000 Lbs. per two-wheel trolley). For 605 Trojan Track Girder the limitation is 3,750 Lbs.

Max Span Ft.	Bridge Girder Required	Crane Weight (Lbs.)	Overhang				Crane Trucks			Wheel Load Per Pair (2)
			In. Std.	In. Min.	In. Max.	505.7824 Latch	No. Whls.	Capacity Maximum	Wheel Base	
Catalog No. 551.2002-E			2000 Lbs. Capacity				2700 Lbs. Design Load (1)			
8	603.6	243	12	6	18	12	4	3000	1'-9"	1411
10	603.7	343	12	6	18	12	4	3000	1'-9"	1436
12	603.7	383	12	6	18	12	4	3000	1'-9"	1446
14	603.7	423	12	6	18	12	4	3000	1'-9"	1456
16	603.7	463	12	6	18	12	4	3000	1'-9"	1466
18	604.924	585	12	6	18	12	4	3000	1'-9"	1497

NOTES:

- Design Load = Live Load, plus 15% live load for impact, plus 400 lbs. for hoist and trolley. (7500 Lbs. per two-wheel trolley) when transferring through 505.7830 latch; 5,000 Lbs. (10,000 Lbs. per two-wheel trolley) when captive on bridge, or when used on Super-Trojan Track Runways. (Super-Trojan Track requires .75 in. min. thickness of top flange, .4375 in. min. thickness of web, and splices must be welded rather than bolted.)
- Calculated for this crane with specified design load, but without added peripheral equipment.
- Maximum permissible wheel load on 603 Super-track and 604 type Supertrack. Supertrack Girder is 2,500 Lbs. (5,000 Lbs. per two-wheel trolley). For 605 Trojan Track Girder the limitation is 3,750 Lbs.

WARNING: Equipment described herein is not designed for and should not be used for lifting, supporting, or transporting humans. Use of the equipment for this purpose can result in serious bodily injury and/or property damage.



**Louden® HAND PROPELLED CRANES WITH
FULL DEPTH GIRDERS**

551-4
Issued 9-7-01

**Hand Propelled, Single Girder, Two-Runway Cranes
To Operate on 3.33" Flange Runways, for use with Hand Chain Hoists Only.**

Max Span Ft.	Bridge Girder Required	Crane Weight (Lbs.)	Overhang				Crane Trucks			Wheel Load Per Pair (2)
			In. Std.	In. Min.	In. Max.	505.7824 Latch	No. Whls.	Capacity Maximum	Wheel Base	
Catalog No. 551.1003			1000 Lbs. Capacity				1150 Lbs. Design Load (1)			
8	603.6	243	12	6	18	12	4	3000	1'-9"	636
10	603.6	271	12	6	18	12	4	3000	1'-9"	643
12	603.6	299	12	6	18	12	4	3000	1'-9"	650
14	603.7	423	12	6	18	12	4	3000	1'-9"	681
16	603.7	463	12	6	18	12	4	3000	1'-9"	691
18	603.7	503	12	6	18	12	4	3000	1'-9"	701

NOTES:

1. Design Load = Live Load, plus 15% live load for impact, plus 150 lbs. for hoist and trolley. (7500 Lbs. per two-wheel trolley) when transferring through 505.7830 latch; 5,000 Lbs. (10,000 Lbs. per two-wheel trolley) when captive on bridge, or when used on Super-Trojan Track Runways. (Super-Trojan Track requires .75 in. min. thickness of top flange, .4375 in. min. thickness of web, and splices must be welded rather than bolted.)
2. Calculated for this crane with specified design load, but without added peripheral equipment.
3. Maximum permissible wheel load on 603 Super-track and 604 type Supertrack. Supertrack Girder is 2,500 Lbs. (5,000 Lbs. per two-wheel trolley). For 605 Trojan Track Girder the limitation is 3,750 Lbs.

Max Span Ft.	Bridge Girder Required	Crane Weight (Lbs.)	Overhang				Crane Trucks			Wheel Load Per Pair (2)
			In. Std.	In. Min.	In. Max.	505.7824 Latch	No. Whls.	Capacity Maximum	Wheel Base	
Catalog No. 551.2003			2000 Lbs. Capacity				2200 Lbs. Design Load (1)			
8	603.6	243	12	6	18	12	4	3000	1'-9"	1161
10	603.7	343	12	6	18	12	4	3000	1'-9"	1186
12	603.7	383	12	6	18	12	4	3000	1'-9"	1196
14	603.7	423	12	6	18	12	4	3000	1'-9"	1206
16	603.7	463	12	6	18	12	4	3000	1'-9"	1216
18	603.7	503	12	6	18	12	4	3000	1'-9"	1226

NOTES:

1. Design Load = Live Load, plus 15% live load for impact, plus 200 lbs. for hoist and trolley. (7500 Lbs. per two-wheel trolley) when transferring through 505.7830 latch; 5,000 Lbs. (10,000 Lbs. per two-wheel trolley) when captive on bridge, or when used on Super-Trojan Track Runways. (Super-Trojan Track requires .75 in. min. thickness of top flange, .4375 in. min. thickness of web, and splices must be welded rather than bolted.)
2. Calculated for this crane with specified design load, but without added peripheral equipment.
3. Maximum permissible wheel load on 603 Super-track and 604 type Supertrack. Supertrack Girder is 2,500 Lbs. (5,000 Lbs. per two-wheel trolley). For 605 Trojan Track Girder the limitation is 3,750 Lbs.

WARNING: Equipment described herein is not designed for and should not be used for lifting, supporting, or transporting humans. Use of the equipment for this purpose can result in serious bodily injury and/or property damage.



ACCO Material Handling Solutions
76 Acco Drive, Box 792, York, PA 17405-0792
717-741-4863, 800-967-7333, FAX 800-715-8897
E-mail: info@accomhs.com www.accomhs.com

© 2007 FKI Industries Inc.
Printed In USA



**LOUDEN® HAND PROPELLED CRANES WITH
FULL DEPTH GIRDERS**

551-5
Issued 9-7-01

**Hand Propelled, Single Girder, Two-Runway Cranes
To Operate on 3.33" Flange Runways, for use with Electric, Air or Hand Chain Hoists.**

Max Span Ft.	Bridge Girder Required	Crane Weight (Lbs.)	Overhang				Crane Trucks			Wheel Load Per Pair (2)
			In. Std.	In. Min.	In. Max.	505.7824 Latch	No. Whls.	Capacity Maximum	Wheel Base	
Catalog No. 551.1003-E			1000 Lbs. Capacity				1550 Lbs. Design Load (1)			
8	603.6	243	12	6	18	12	4	3000	1'-9"	836
10	603.6	271	12	6	18	12	4	3000	1'-9"	843
12	603.7	383	12	6	18	12	4	3000	1'-9"	871
14	603.7	423	12	6	18	12	4	3000	1'-9"	881
16	603.7	463	12	6	18	12	4	3000	1'-9"	891
18	603.7	503	12	6	18	12	4	3000	1'-9"	901

NOTES:

1. Design Load = Live Load, plus 15% live load for impact, plus 400 lbs. for hoist and trolley. (7500 Lbs. per two-wheel trolley) when transferring through 505.7830 latch; 5,000 Lbs. (10,000 Lbs. per two-wheel trolley) when captive on bridge, or when used on Super-Trojan Track Runways. (Super-Trojan Track requires .75 in. min. thickness of top flange, .4375 in. min. thickness of web, and splices must be welded rather than bolted.)
2. Calculated for this crane with specified design load, but without added peripheral equipment.
3. Maximum permissible wheel load on 603 Super-track and 604 type Supertrack. Supertrack Girder is 2,500 Lbs. (5,000 Lbs. per two-wheel trolley). For 605 Trojan Track Girder the limitation is 3,750 Lbs.

Max Span Ft.	Bridge Girder Required	Crane Weight (Lbs.)	Overhang				Crane Trucks			Wheel Load Per Pair (2)
			In. Std.	In. Min.	In. Max.	505.7824 Latch	No. Whls.	Capacity Maximum	Wheel Base	
Catalog No. 551.2003-E			2000 Lbs. Capacity				2700 Lbs. Design Load (1)			
8	603.6	243	12	6	18	12	4	3000	1'-9"	1411
10	603.7	343	12	6	18	12	4	3000	1'-9"	1436
12	603.7	383	12	6	18	12	4	3000	1'-9"	1446
14	603.7	423	12	6	18	12	4	3000	1'-9"	1456
16	603.7	463	12	6	18	12	4	3000	1'-9"	1466
18	604.924	585	12	6	18	12	4	3000	1'-9"	1497

NOTES:

1. Design Load = Live Load, plus 15% live load for impact, plus 400 lbs. for hoist and trolley. (7500 Lbs. per two-wheel trolley) when transferring through 505.7830 latch; 5,000 Lbs. (10,000 Lbs. per two-wheel trolley) when captive on bridge, or when used on Super-Trojan Track Runways. (Super-Trojan Track requires .75 in. min. thickness of top flange, .4375 in. min. thickness of web, and splices must be welded rather than bolted.)
2. Calculated for this crane with specified design load, but without added peripheral equipment.
3. Maximum permissible wheel load on 603 Super-track and 604 type Supertrack. Supertrack Girder is 2,500 Lbs. (5,000 Lbs. per two-wheel trolley). For 605 Trojan Track Girder the limitation is 3,750 Lbs.

WARNING: Equipment described herein is not designed for and should not be used for lifting, supporting, or transporting humans. Use of the equipment for this purpose can result in serious bodily injury and/or property damage.



ACCO Material Handling Solutions
76 Acco Drive, Box 792, York, PA 17405-0792
717-741-4863, 800-967-7333, FAX 800-715-8897
E-mail: info@accomhs.com www.accomhs.com

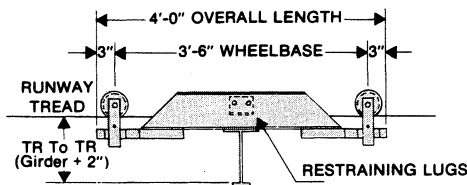
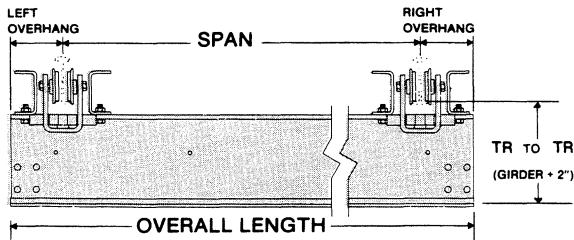
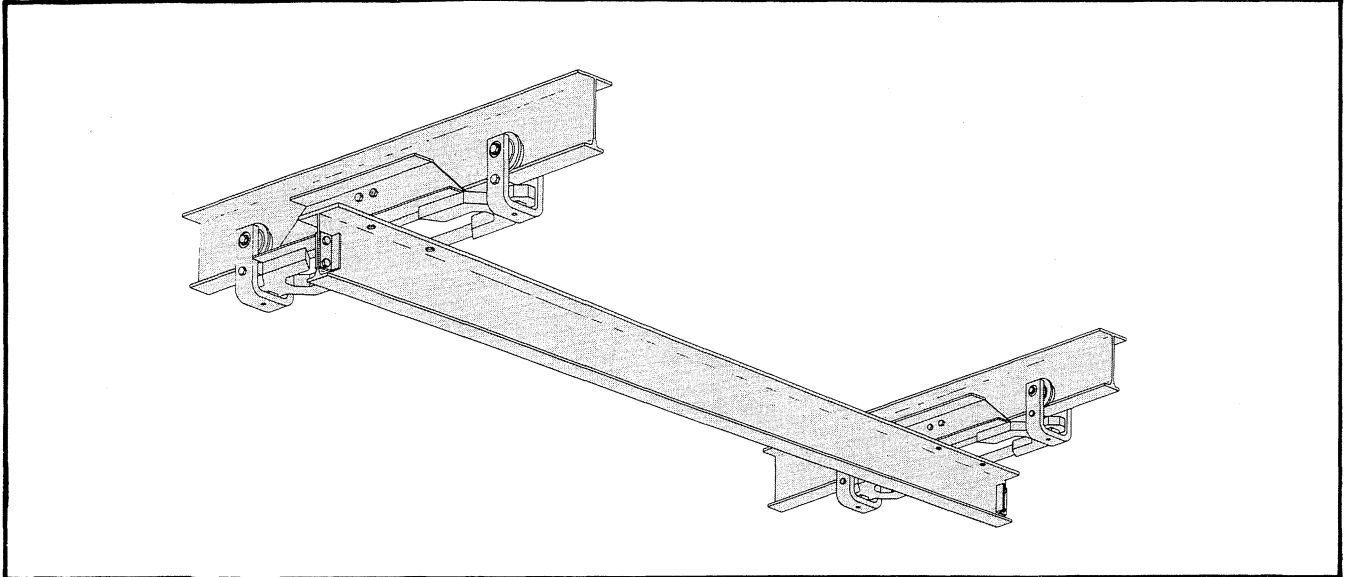
© 2007 FKI Industries Inc.
Printed In USA



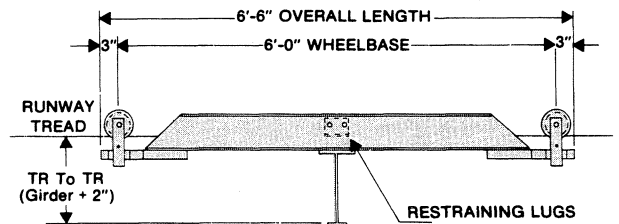
**LOUDEN® HAND PROPELLED CRANES WITH
FULL DEPTH GIRDERS**

552-1
Issued 9-7-01

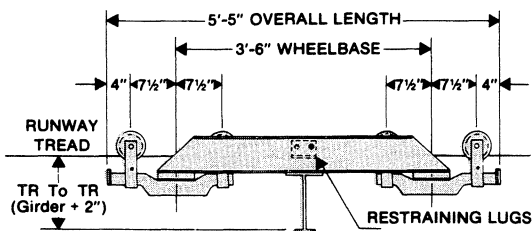
**Hand Propelled, Single Girder, Two-Runway Cranes
To Operate on 2" Flange Runways, for use With Electric, Air or Hand Chain Hoists.**



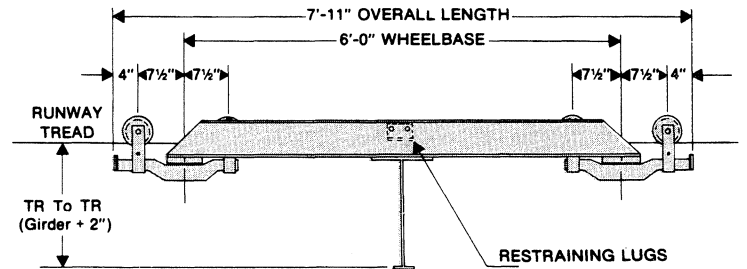
4 Wheel, 3,000 lb. Cap. End Truck, with 3'-6" Wheelbase.



4 Wheel, 3,000 lb. Cap. End Truck, with 6'-0" Wheelbase.



8 Wheel, 6,000 lb. Cap. End Truck, with 3'-6" Wheelbase.



8 Wheel, 6,000 lb. Cap. End Truck, with 6'-0" Wheelbase.



**LOUDEN® HAND PROPELLED CRANES WITH
FULL DEPTH GIRDERS**

552-2
Issued 9-7-01

**Hand Propelled, Single Girder, Two-Runway Cranes
To Operate on 2" Flange Runways, for use with Electric, Air or Hand Chain Hoists.**

Max Span Ft.	Bridge Girder Required	Crane Weight (Lbs.)	Overhang				Crane Trucks			Wheel Load Per Pair (2)
			In. Std.	In. Min.	In. Max.	505.7824 Latch	No. Whls.	Capacity Maximum	Wheel Base	
Catalog No. 552.1002			1000 Lbs. Capacity				1550 Lbs. Design Load (1)			
8	604.924	551	12	7	18	15	4	3000	3'-6"	914
10	604.924	599	12	7	18	15	4	3000	3'-6"	926
12	604.924	647	12	7	18	15	4	3000	3'-6"	938
14	604.924	695	12	7	18	15	4	3000	3'-6"	950
16	604.924	743	12	7	18	15	4	3000	3'-6"	962
18	604.924	791	12	7	18	15	4	3000	3'-6"	974
20	604.924	839	12	7	18	15	4	3000	3'-6"	986
22	604.924	887	12	7	18	15	4	3000	3'-6"	998
24	604.924	935	12	7	18	15	4	3000	3'-6"	1010
26	604.1231	1359	12	7	18	15	4	3000	6'-0"	1116
28	604.1231	1421	12	7	18	15	4	3000	6'-0"	1131
30	604.1231	1483	12	7	18	15	4	3000	6'-0"	1147
32	604.1435	1682	12	7	18	15	4	3000	6'-0"	1196
34	604.1435	1752	12	7	18	15	4	3000	6'-0"	1214
36	604.1435	1822	12	7	18	15	4	3000	6'-0"	1231
38	604.1538	2009	12	7	18	15	4	3000	6'-0"	1278
40	604.1538	2085	12	7	18	15	4	3000	6'-0"	1297
42	604.1846	2513	12	7	18	15	4	3000	6'-0"	1404
44	604.1846	2605	12	7	18	15	4	3000	6'-0"	1427
46	604.1846	2697	12	7	18	15	4	3000	6'-0"	1450
48	604.1846	3033	12	8½	18	17	8	6000	6'-0"	767
50	604.2153	3489	12	8½	18	17	8	6000	6'-0"	824

NOTES:

1. Design Load = Live Load, plus 15% live load for impact, plus 400 lbs. for hoist and trolley.
2. Calculated for this crane with specified design load, but without added peripheral equipment.
3. Maximum permissible wheel load on 603 Super-track and 604 type Supertrack. Supertrack Girder is 2,500 lbs. (5,000 Lbs. per two-wheel trolley). For 605 Trojan Track Girder the limitation is 3,750 Lbs.

(7500 Lbs. per two-wheel trolley) when transferring through 505.7830 latch; 5,000 Lbs. (10,000 Lbs. per two-wheel trolley) when captive on bridge, or when used on Super-Trojan Track Runways. (Super-Trojan Track requires .75 in. min. thickness of top flange, .4375 in. min. thickness of web, and splices must be welded rather than bolted.)

WARNING: Equipment described herein is not designed for and should not be used for lifting, supporting, or transporting humans. Use of the equipment for this purpose can result in serious bodily injury and/or property damage.



ACCO Material Handling Solutions
76 Acco Drive, Box 792, York, PA 17405-0792
717-741-4863, 800-967-7333, FAX 800-715-8897
E-mail: info@accomhs.com www.accomhs.com

© 2007 FKI Industries Inc.
Printed In USA



**LOUDEN® HAND PROPELLED CRANES WITH
FULL DEPTH GIRDERS**

552-3
Issued 9-7-01

**Hand Propelled, Single Girder, Two-Runway Cranes
To Operate on 2" Flange Runways, for use with Electric, Air or Hand Chain Hoists.**

Max Span Ft.	Bridge Girder Required	Crane Weight (Lbs.)	Overhang				Crane Trucks			Wheel Load Per Pair (2)
			In. Std.	In. Min.	In. Max.	505.7824 Latch	No. Whls.	Capacity Maximum	Wheel Base	
Catalog No. 552.2002			2000 Lbs. Capacity				3590 Lbs. Design Load (1)			
8	604.924	782	12	8½	18	17	8	6000	3'-6"	996
10	604.924	830	12	8½	18	17	8	6000	3'-6"	1001
12	604.924	878	12	8½	18	17	8	6000	3'-6"	1008
14	604.924	926	12	8½	18	17	8	6000	3'-6"	1013
16	604.924	974	12	8½	18	17	8	6000	3'-6"	1020
18	604.924	1022	12	8½	18	17	8	6000	3'-6"	1025
20	604.924	1070	12	8½	18	17	8	6000	3'-6"	1032
22	604.924	1118	12	8½	18	17	8	6000	3'-6"	1037
24	604.1231	1348	12	8½	18	17	8	6000	3'-6"	1067
26	604.1231	1603	12	8½	18	17	8	6000	6'-0"	1098
28	604.1231	1665	12	8½	18	17	8	6000	6'-0"	1106
30	604.1231	1727	12	8½	18	17	8	6000	6'-0"	1114
32	604.1435	1926	12	8½	18	17	8	6000	6'-0"	1139
34	604.1435	1996	12	8½	18	17	8	6000	6'-0"	1148
36	604.1435	2066	12	8½	18	17	8	6000	6'-0"	1157
38	604.1538	2253	12	8½	18	17	8	6000	6'-0"	1180
40	604.1538	2329	12	8½	18	17	8	6000	6'-0"	1189
42	604.1846	2757	12	8½	18	17	8	6000	6'-0"	1243
44	604.1846	2849	12	8½	18	17	8	6000	6'-0"	1254
46	604.1846	2941	12	8½	18	17	8	6000	6'-0"	1266
48	604.1846	3033	12	8½	18	17	8	6000	6'-0"	1277
50	604.2153	3489	12	8½	18	17	8	6000	6'-0"	1334

NOTES:

1. Design Load = Live Load, plus 15% live load for impact, plus 1290 lbs. for hoist and trolley.
2. Calculated for this crane with specified design load, but without added peripheral equipment.
3. Maximum permissible wheel load on 603 Super-track and 604 type Supertrack. Supertrack Girder is 2,500 lbs. (5,000 Lbs. per two-wheel trolley). For 605 Trojan Track Girder the limitation is 3,750 Lbs.

(7500 Lbs. per two-wheel trolley) when transferring through 505.7830 latch; 5,000 Lbs. (10,000 Lbs. per two-wheel trolley) when captive on bridge, or when used on Super-Trojan Track Runways. (Super-Trojan Track requires .75 in. min. thickness of top flange, .4375 in. min. thickness of web, and splices must be welded rather than bolted.)

WARNING: Equipment described herein is not designed for and should not be used for lifting, supporting, or transporting humans. Use of the equipment for this purpose can result in serious bodily injury and/or property damage.



**Hand Propelled, Single Girder, Two-Runway Cranes
To Operate on 2" Flange Runways, for use with Electric, Air or Hand Chain Hoists.**

Max Span Ft.	Bridge Girder Required	Crane Weight (Lbs.)	Overhang				Crane Trucks			Wheel Load Per Pair (2)
			In. Std.	In. Min.	In. Max.	505.7824 Latch	No. Whls.	Capacity Maximum	Wheel Base	
Catalog No. 552.3002			3000 Lbs. Capacity				4820 Lbs. Design Load (1)			
8	604.924	782	12	8½	18	17	8	6000	3'-6"	1303
10	604.924	830	12	8½	18	17	8	6000	3'-6"	1309
12	604.924	878	12	8½	18	17	8	6000	3'-6"	1315
14	604.924	926	12	8½	18	17	8	6000	3'-6"	1321
16	604.924	974	12	8½	18	17	8	6000	3'-6"	1327
18	604.924	1022	12	8½	18	17	8	6000	3'-6"	1333
20	604.924	1070	12	8½	18	17	8	6000	3'-6"	1339
22	604.1231	1286	12	8½	18	17	8	6000	3'-6"	1366
24	604.1231	1348	12	8½	18	17	8	6000	3'-6"	1374
26	604.1231	1603	12	8½	18	17	8	6000	6'-0"	1406
28	604.1435	1665	12	8½	18	17	8	6000	6'-0"	1414
30	604.1435	1856	12	8½	18	17	8	6000	6'-0"	1437
32	604.1435	1926	12	8½	18	17	8	6000	6'-0"	1446
34	604.1538	2101	12	8½	18	17	8	6000	6'-0"	1468
36	604.1538	2177	12	8½	18	17	8	6000	6'-0"	1478

NOTES:

1. Design Load = Live Load, plus 15% live load for impact, plus 1370 lbs. for hoist and trolley.
2. Calculated for this crane with specified design load, but without added peripheral equipment.
3. Maximum permissible wheel load on 603 Super-track and 604 type Supertrack. Supertrack Girder is 2,500 lbs. (5,000 Lbs. per two-wheel trolley). For 605 Trojan Track Girder the limitation is 3,750 Lbs.

(7500 Lbs. per two-wheel trolley) when transferring through 505.7830 latch; 5,000 Lbs. (10,000 Lbs. per two-wheel trolley) when captive on bridge, or when used on Super-Trojan Track Runways. (Super-Trojan Track requires .75 in. min. thickness of top flange, .4375 in. min. thickness of web, and splices must be welded rather than bolted.)

WARNING: Equipment described herein is not designed for and should not be used for lifting, supporting, or transporting humans. Use of the equipment for this purpose can result in serious bodily injury and/or property damage.

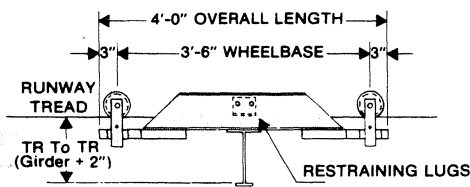
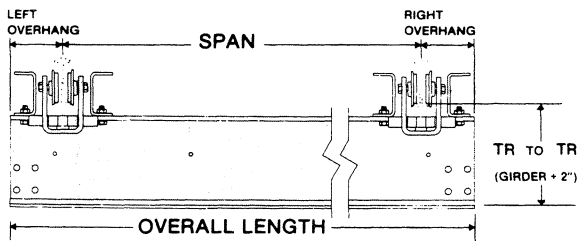
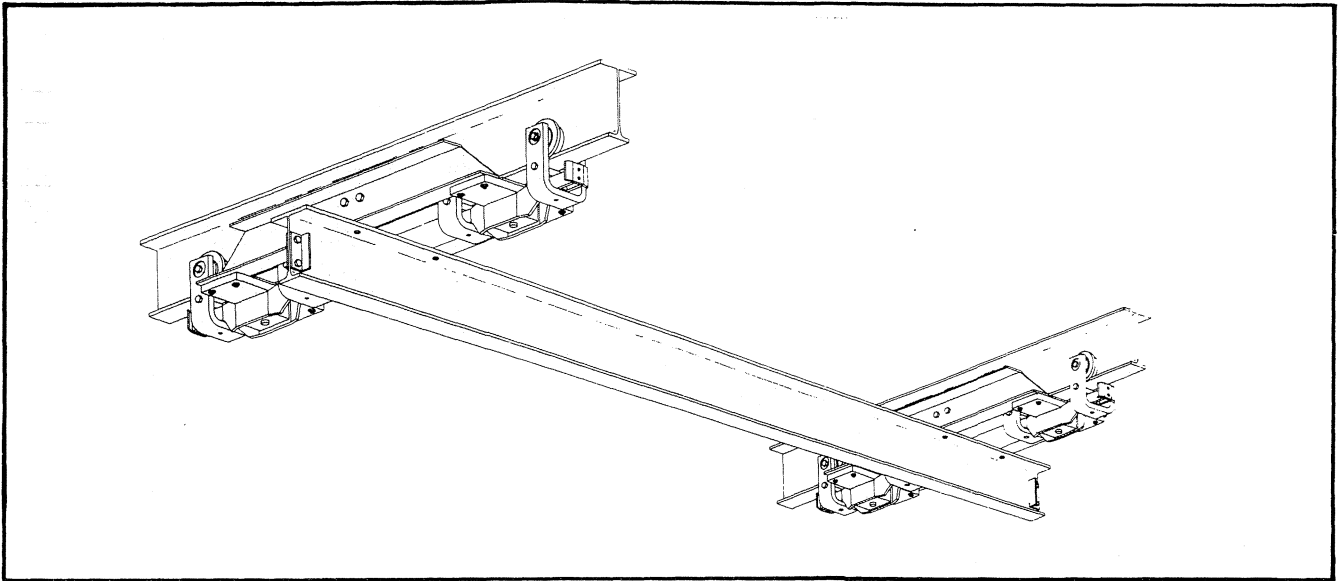




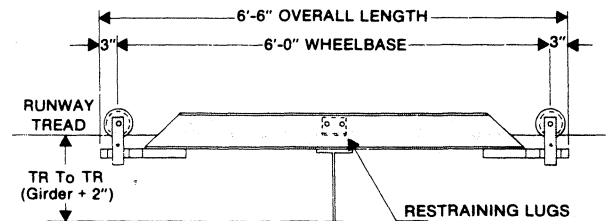
**LOUDEN® HAND PROPELLED CRANES WITH
FULL DEPTH GIRDERS**

552-5
Issued 9-7-01

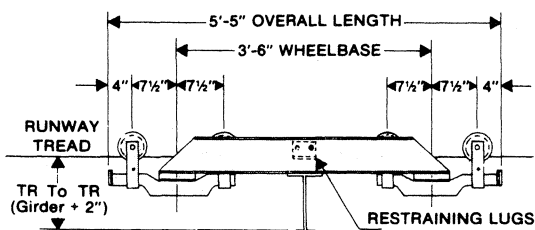
**Hand Propelled, Single Girder, Two-Runway Cranes
To Operate on 3.33" Flange Runways, for use With Electric, Air or Hand Chain Hoists.**



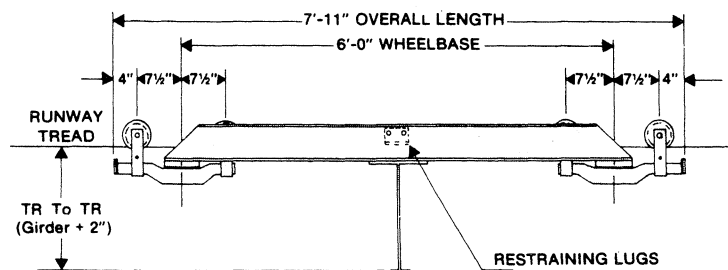
4 Wheel, 3,000 lb. or 5,000 lb. Cap. End Truck, with 3'-6" Wheelbase.



4 Wheel, 5,000 lb. Cap. End Truck, with 6'-0" Wheelbase.



8 Wheel, 10,000 lb. Cap. End Truck, with 3'-6" Wheelbase.



8 Wheel, 10,000 lb. Cap. End Truck, with 6'-0" Wheelbase.



**LOUDEN® HAND PROPELLED CRANES WITH
FULL DEPTH GIRDERS**

552-6
Issued 9-7-01

**Hand Propelled, Single Girder, Two-Runway Cranes
To Operate on 3.33" Flange Runways, for use with Electric, Air or Hand Chain Hoists.**

Max Span Ft.	Bridge Girder Required	Crane Weight (Lbs.)	Overhang				Crane Trucks			Wheel Load Per Pair (2)
			In. Std.	In. Min.	In. Max.	505.7824 Latch	No. Whls.	Capacity Maximum	Wheel Base	
Catalog No. 552.1003			1000 Lbs. Capacity				1550 Lbs. Design Load (1)			
8	604.924	529	12	7	18	15	4	3000	3'-6"	908
10	604.924	573	12	7	18	15	4	3000	3'-6"	919
12	604.924	617	12	7	18	15	4	3000	3'-6"	930
14	604.924	661	12	7	18	15	4	3000	3'-6"	941
16	604.924	705	12	7	18	15	4	3000	3'-6"	952
18	604.924	749	12	7	18	15	4	3000	3'-6"	963
20	604.924	793	12	7	18	15	4	3000	3'-6"	974
22	604.924	837	12	7	18	15	4	3000	3'-6"	985
24	604.924	881	12	7	18	15	4	3000	3'-6"	996
26	604.1231	1301	12	7	18	15	4	3000	6'-0"	1101
28	604.1231	1359	12	7	18	15	4	3000	6'-0"	1115
30	604.1231	1417	12	7	18	15	4	3000	6'-0"	1130
32	604.1435	1577	12	7	18	15	4	3000	6'-0"	1170
34	604.1435	1641	12	7	18	15	4	3000	6'-0"	1186
36	604.1435	1705	12	7	18	15	4	3000	6'-0"	1202
38	604.1538	2009	12	7	18	15	4	3000	6'-0"	1278
40	604.1538	2085	12	7	18	15	4	3000	6'-0"	1297
42	604.1846	2513	12	7	18	15	4	3000	6'-0"	1404
44	604.1846	2605	12	7	18	15	4	3000	6'-0"	1427
46	604.1846	2697	12	7	18	15	4	3000	6'-0"	1450
48	604.1846	2855	12	7	18	15	4	5000	6'-0"	1489
50	604.2153	3311	12	7	18	15	4	5000	6'-0"	1603

NOTES:

1. Design Load = Live Load, plus 15% live load for impact, plus 400 lbs. for hoist and trolley.
2. Calculated for this crane with specified design load, but without added peripheral equipment.
3. Maximum permissible wheel load on 603 Super-track and 604 type Supertrack. Supertrack Girder is 2,500 lbs. (5,000 Lbs. per two-wheel trolley). For 605 Trojan Track Girder the limitation is 3,750 Lbs.

(7500 Lbs. per two-wheel trolley) when transferring through 505.7830 latch; 5,000 Lbs. (10,000 Lbs. per two-wheel trolley) when captive on bridge, or when used on Super-Trojan Track Runways. (Super-Trojan Track requires .75 in. min. thickness of top flange, .4375 in. min. thickness of web, and splices must be welded rather than bolted.)

WARNING: Equipment described herein is not designed for and should not be used for lifting, supporting, or transporting humans. Use of the equipment for this purpose can result in serious bodily injury and/or property damage.



ACCO Material Handling Solutions
76 Acco Drive, Box 792, York, PA 17405-0792
717-741-4863, 800-967-7333, FAX 800-715-8897
E-mail: info@accomhs.com www.accomhs.com

© 2007 FKI Industries Inc.
Printed In USA



**LOUDEN® HAND PROPELLED CRANES WITH
FULL DEPTH GIRDERS**

552-7
Issued 9-7-01

**Hand Propelled, Single Girder, Two-Runway Cranes
To Operate on 3.33" Flange Runways, for use with Electric, Air or Hand Chain Hoists.**

Max Span Ft.	Bridge Girder Required	Crane Weight (Lbs.)	Overhang				Crane Trucks			Wheel Load Per Pair (2)
			In. Std.	In. Min.	In. Max.	505.7824 Latch	No. Whls.	Capacity Maximum	Wheel Base	
Catalog No. 552.2003			2000 Lbs. Capacity				3590 Lbs. Design Load (1)			
8	604.924	617	12	7	18	15	4	5000	3'-6"	1950
10	604.924	665	12	7	18	15	4	5000	3'-6"	1962
12	604.924	713	12	7	18	15	4	5000	3'-6"	1974
14	604.924	761	12	7	18	15	4	5000	3'-6"	1986
16	604.924	809	12	7	18	15	4	5000	3'-6"	1998
18	604.924	857	12	7	18	15	4	5000	3'-6"	2010
20	604.924	905	12	7	18	15	4	5000	3'-6"	2022
22	604.924	953	12	7	18	15	4	5000	3'-6"	2034
24	604.1231	1183	12	7	18	15	4	5000	3'-6"	2092
26	604.1231	1425	12	7	18	15	4	5000	6'-0"	2152
28	604.1231	1487	12	7	18	15	4	5000	6'-0"	2168
30	604.1231	1549	12	7	18	15	4	5000	6'-0"	2183
32	604.1435	1748	12	7	18	15	4	5000	6'-0"	2232
34	604.1435	1818	12	7	18	15	4	5000	6'-0"	2250
36	604.1435	1888	12	7	18	15	4	5000	6'-0"	2267
38	604.1538	2075	12	7	18	15	4	5000	6'-0"	2314
40	604.1538	2151	12	7	18	15	4	5000	6'-0"	2333
42	604.1846	2579	12	7	18	15	4	5000	6'-0"	2440
44	604.1846	3003	12	8½	18	17	8	10000	6'-0"	1273
46	604.1846	3095	12	8½	18	17	8	10000	6'-0"	1285
48	604.1846	3187	12	8½	18	17	8	10000	6'-0"	1296
50	604.2153	3643	12	8½	18	17	8	10000	6'-0"	1353

NOTES:

1. Design Load = Live Load, plus 15% live load for impact, plus 1290 lbs. for hoist and trolley.
2. Calculated for this crane with specified design load, but without added peripheral equipment.
3. Maximum permissible wheel load on 603 Super-track and 604 type Supertrack. Supertrack Girder is 2,500 lbs. (5,000 Lbs. per two-wheel trolley). For 605 Trojan Track Girder the limitation is 3,750 Lbs.

(7500 Lbs. per two-wheel trolley) when transferring through 505.7830 latch; 5,000 Lbs. (10,000 Lbs. per two-wheel trolley) when captive on bridge, or when used on Super-Trojan Track Runways. (Super-Trojan Track requires .75 in. min. thickness of top flange, .4375 in. min. thickness of web, and splices must be welded rather than bolted.)

WARNING: Equipment described herein is not designed for and should not be used for lifting, supporting, or transporting humans. Use of the equipment for this purpose can result in serious bodily injury and/or property damage.



**LOUDEN® HAND PROPELLED CRANES WITH
FULL DEPTH GIRDERS**

552-8
Issued 9-7-01

**Hand Propelled, Single Girder, Two-Runway Cranes
To Operate on 3.33" Flange Runways, for use with Electric, Air or Hand Chain Hoists.**

Max Span Ft.	Bridge Girder Required	Crane Weight (Lbs.)	Overhang				Crane Trucks			Wheel Load Per Pair (2)
			In. Std.	In. Min.	In. Max.	505.7824 Latch	No. Whls.	Capacity Maximum	Wheel Base	
Catalog No. 552.4003			4000 Lbs. Capacity				6600 Lbs. Design Load (1)			
8	604.924	804	12	8½	18	17	8	10000	3'-6"	1751
10	604.924	852	12	8½	18	17	8	10000	3'-6"	1757
12	604.924	900	12	8½	18	17	8	10000	3'-6"	1763
14	604.924	948	12	8½	18	17	8	10000	3'-6"	1769
16	604.924	996	12	8½	18	17	8	10000	3'-6"	1775
18	604.1231	1184	12	8½	18	17	8	10000	3'-6"	1798
20	604.1231	1246	12	8½	18	17	8	10000	3'-6"	1806
22	604.1231	1308	12	8½	18	17	8	10000	3'-6"	1814
24	604.1231	1370	12	8½	18	17	8	10000	3'-6"	1822
26	604.1435	1870	12	8½	18	17	8	10000	6'-0"	1884
28	604.1435	1940	12	8½	18	17	8	10000	6'-0"	1893
30	604.1538	2103	12	8½	18	17	8	10000	6'-0"	1913
32	604.1538	2179	12	8½	18	17	8	10000	6'-0"	1923
34	604.1846	2543	12	8½	18	17	8	10000	6'-0"	1968
36	604.1846	2635	12	8½	18	17	8	10000	6'-0"	1980
38	604.1846	2727	12	8½	18	17	8	10000	6'-0"	1991
40	604.2153	3113	12	8½	18	17	8	10000	6'-0"	2040
42	604.2153	3219	12	8½	18	17	8	10000	6'-0"	2053
44	604.2153	3325	12	8½	18	17	8	10000	6'-0"	2066
46	604.2153	3431	12	8½	18	17	8	10000	6'-0"	2079

NOTES:

1. Design Load = Live Load, plus 15% live load for impact, plus 2000 lbs. for hoist and trolley.
2. Calculated for this crane with specified design load, but without added peripheral equipment.
3. Maximum permissible wheel load on 603 Super-track and 604 type Supertrack. Supertrack Girder is 2,500 lbs. (5,000 Lbs. per two-wheel trolley). For 605 Trojan Track Girder the limitation is 3,750 Lbs.

(7500 Lbs. per two-wheel trolley) when transferring through 505.7830 latch; 5,000 Lbs. (10,000 Lbs. per two-wheel trolley) when captive on bridge, or when used on Super-Trojan Track Runways. (Super-Trojan Track requires .75 in. min. thickness of top flange, .4375 in. min. thickness of web, and splices must be welded rather than bolted.)

WARNING: Equipment described herein is not designed for and should not be used for lifting, supporting, or transporting humans. Use of the equipment for this purpose can result in serious bodily injury and/or property damage.



ACCO Material Handling Solutions
76 Acco Drive, Box 792, York, PA 17405-0792
717-741-4863, 800-967-7333, FAX 800-715-8897
E-mail: info@accomhs.com www.accomhs.com

© 2007 FKI Industries Inc.
Printed In USA



**Hand Propelled, Single Girder, Two-Runway Cranes
To Operate on 3.33" Flange Runways, for use with Electric, Air or Hand Chain Hoists.**

Max Span Ft.	Bridge Girder Required	Crane Weight (Lbs.)	Overhang				Crane Trucks			Wheel Load Per Pair (2)
			In. Std.	In. Min.	In. Max.	505.7824 Latch	No. Whls.	Capacity Maximum	Wheel Base	
Catalog No. 552.6003			6000 Lbs. Capacity				8900 Lbs. Design Load (1)			
8	604.924	804	12	8½	18	17	8	10000	3'-6"	2326
10	604.924	852	12	8½	18	17	8	10000	3'-6"	2332
12	604.924	900	12	8½	18	17	8	10000	3'-6"	2338
14	604.924	948	12	8½	18	17	8	10000	3'-6"	2344
16	604.1231	1122	12	8½	18	17	8	10000	3'-6"	2366
18	604.1231	1184	12	8½	18	17	8	10000	3'-6"	2373
20	604.1231	1246	12	8½	18	17	8	10000	3'-6"	2381
22	604.1435	1405	12	8½	18	17	8	10000	3'-6"	2401
24	604.1435	1475	12	8½	18	17	8	10000	3'-6"	2410
26	604.1538	1951	12	8½	18	17	8	10000	6'-0"	2469
28	604.1538	2027	12	8½	18	17	8	10000	6'-0"	2478

NOTES:

1. Design Load = Live Load, plus 15% live load for impact, plus 2000 lbs. for hoist and trolley.
2. Calculated for this crane with specified design load, but without added peripheral equipment.
3. Maximum permissible wheel load on 603 Super-track and 604 type Supertrack. Supertrack Girder is 2,500 lbs. (5,000 Lbs. per two-wheel trolley). For 605 Trojan Track Girder the limitation is 3,750 Lbs.

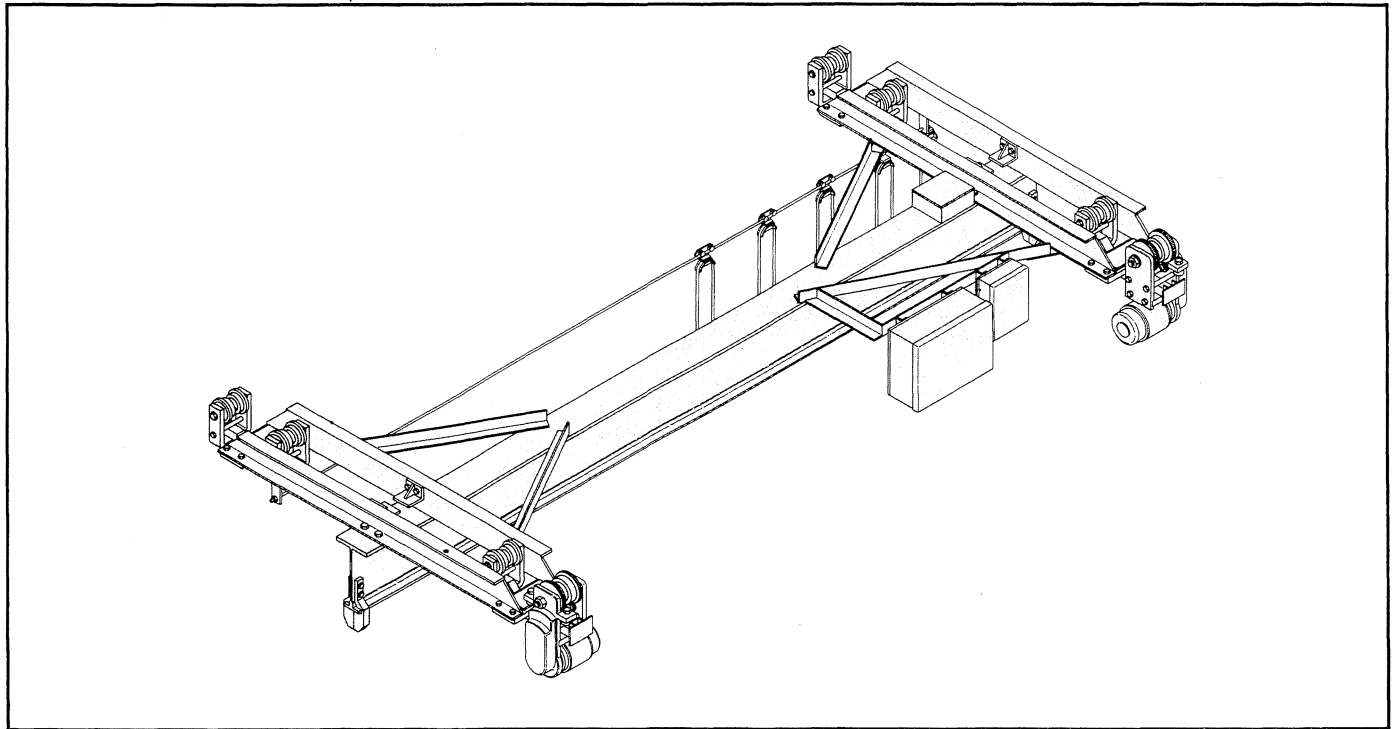
(7500 Lbs. per two-wheel trolley) when transferring through 505.7830 latch; 5,000 Lbs. (10,000 Lbs. per two-wheel trolley) when captive on bridge, or when used on Super-Trojan Track Runways. (Super-Trojan Track requires .75 in. min. thickness of top flange, .4375 in. min. thickness of web, and splices must be welded rather than bolted.)

WARNING: Equipment described herein is not designed for and should not be used for lifting, supporting, or transporting humans. Use of the equipment for this purpose can result in serious bodily injury and/or property damage.





**Dual Motor Drive, Single Girder, Two-Runway Cranes To Operate on
604 and 605 Girder Track, 3.33" Operating Flange Runways, For Use With Electric, Air or Hand Chain Hoists**



The Louden Series 585 steel wheel dual drive crane is offered in capacities of 1 through 5 tons, with spans to 50 feet. Standard bridge speeds are 75 and 125 F.P.M., single speed. Optional travel speeds (single speed) are 50, 100, 150 F.P.M. Also available in two speed and variable speed.

All speeds will have adjustable torque and speed ramps through the use of the Acco Acceleration Control Module, a solid state device providing smooth bridge motion and excellent load control.

Standard crane motors are T.E.N.V., 30 minute, with Class F insulation, 55 degree rise over 60 degree ambient. All crane motors will have an AC disc brake as standard.

Available current characteristics are 460/230 volts, 3 phase, 60 Hertz, with 115 volt control circuit.

The gear reducer utilizes spur gears cut from solid blanks to AGMA specifications, and heat treated to achieve C-60 minimum hardness – Rockwell. All gears shall be fully enclosed in an oil tight housing and splash lubricated, except for the final gear reduction at the driving wheel.

The driving wheels are 4½" in diameter at the tread and all idler trolleys are 4½" tread diameter. All wheels are drop forged and shall be a minimum of 425 Brinnel hardness. Bearings shall be double row ball or tapered roller bearings.

Standard electrical equipment includes NEMA type 12 enclosure, a mainline magnetic contactor, manually operated fused mainline disconnect switch with lock out provision, branch circuit fuses, single speed magnetic reversing contactor, transformer with fused secondary, and flat wire festoon tagline bridge electrification. Festooning will consist of four power conductors and eight control conductors.

Each crane is custom designed to fit the structure from which it is to be supported. It is designed to meet or exceed the standards of the Monorail Manufacturers Association and ANSI specification #MH27.1-1996.

The 585 series crane is designed for Class C moderate service (as defined by the above ANSI standard).

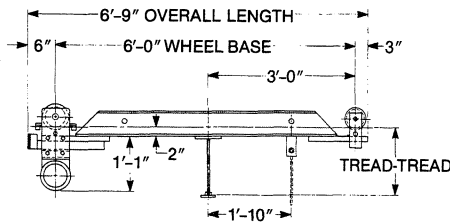
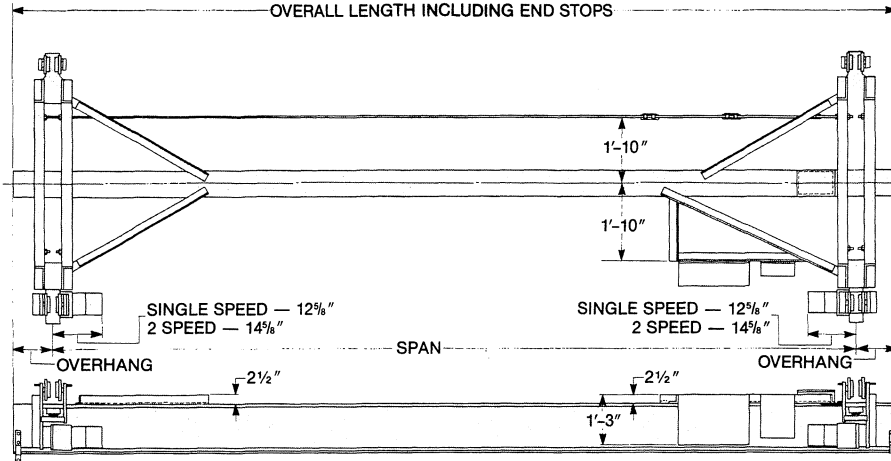
The crane is fully assembled before shipment, including the tagline festoon system, The crane will be painted with one coat of yellow lead free alkyd enamel.

WARNING: Equipment described herein is not designed for and should not be used for lifting, supporting or transporting humans. Use of the equipment for this purpose can result in serious bodily injury and/or property damage.



**LOUDEN® 585 STEEL WHEEL
DUAL DRIVE CRANES**

585-2
Issued 9-7-01



NOTES:

1. Motor H.P. shown is for each motor. Two motors required.
2. Speeds shown are based on using 1800 R.P.M. motors. Standard 2-speed motors are 1800/600 R.P.M.
3. Available non-standard speeds are: 50, 100, 150 F.P.M.
4. Design load = Live load, plus 15% live load for impact, plus 1,290 lbs. for hoist and trolley.
5. Maximum permissible wheel load on 604 type supertrack girder is 2,500 lbs. (5,000 lbs. per 2-wheel trolley). For 605 trojan track girder the limitation is 3,750 lbs. (7,500 lbs. per two wheel trolley) when transferring through 505.7830 latch; 5,000 lbs. (10,000 lbs. per two wheel trolley) when capture on bridge or when used on super-trojan track runways. (Super-trojan track requires .7500 in. min. thickness of top flange, .4375 in. min. thickness of web, and splices must be welded rather than bolted.
6. All wheels 4 1/2 Tread Diameter
7. Weights shown are based on single speed drive and controls, flat-wire festoon tagline bridge electrification, and 12" overhang each end of bridge.
8. Calculated for this crane.

Max. Span Ft.	Part Number	Bridge Girder Required	Crane Weight (Lbs.)	Motor H.P.		OVERHANG					Truck Capacity (Max.)	Whl. Load Per Pair (8)	Idler Tr. Whl.
				Speed (F.P.M.)		In. Std.	In. Min.	In. Max.	505.7824 Latch	505.7825 Block			
Catalog Number 585.2003				2,000 lbs. Capacity					3,590 lbs. Design Load (4)				
12	41-0301	604.924	1450	1/2	1/2	12	7	18	14"	13"	5,000	2158	28-0882
14	41-0301	604.924	1504	1/2	1/2	12	7	18	14"	13"	5,000	2172	28-0882
16	41-0301	604.924	1558	1/2	1/2	12	7	18	14"	13"	5,000	2185	28-0882
18	41-0301	604.924	1612	1/2	1/2	12	7	18	14"	13"	5,000	2199	28-0882
20	41-0301	604.924	1666	1/2	1/2	12	7	18	14"	13"	5,000	2212	28-0882
22	41-0301	604.924	1720	1/2	1/2	12	7	18	14"	13"	5,000	2226	28-0882
24	41-0301	604.1231	1956	1/2	1/2	12	7	18	14"	13"	5,000	2285	28-0882
26	41-0301	604.1231	2024	1/2	1/2	12	7	18	14"	13"	5,000	2302	28-0882
28	41-0301	604.1231	2092	1/2	1/2	12	7	18	14"	13"	5,000	2319	28-0882
30	41-0301	604.1231	2160	1/2	1/2	12	7	18	14"	13"	5,000	2336	28-0882
32	41-0301	604.1435	2365	1/2	1/2	12	7	18	14"	13"	5,000	2386	28-0882
34	41-0301	604.1435	2441	1/2	1/2	12	7	18	14"	13"	5,000	2406	28-0882
36	41-0301	604.1435	2517	1/2	1/2	12	7	18	14"	13"	5,000	2424	28-0882
38	41-0301	604.1538	2710	1/2	1/2	12	7	18	14"	13"	5,000	2473	28-0882
40	41-0301	604.1538	2792	1/2	1/2	12	7	18	14"	13"	5,000	2493	28-0882
42	41-0301	604.1846	3226	1/2	1/2	12	7	18	14"	13"	10,000	2602	28-0593
44	41-0301	604.1846	3324	1/2	1/2	12	7	18	14"	13"	10,000	2626	28-0593
46	41-0301	604.1846	3422	1/2	1/2	12	7	18	14"	13"	10,000	2651	28-0593
48	41-0301	604.1846	3520	1/2	1/2	12	7	18	14"	13"	10,000	2675	28-0593
50	41-0301	604.2153	3982	1/2	1/2	12	7	18	14"	13"	10,000	2791	28-0593

WARNING: Equipment described herein is not designed for and should not be used for lifting, supporting or transporting humans. Use of the equipment for this purpose can result in serious bodily injury and/or property damage.



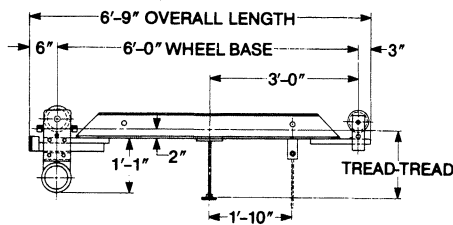
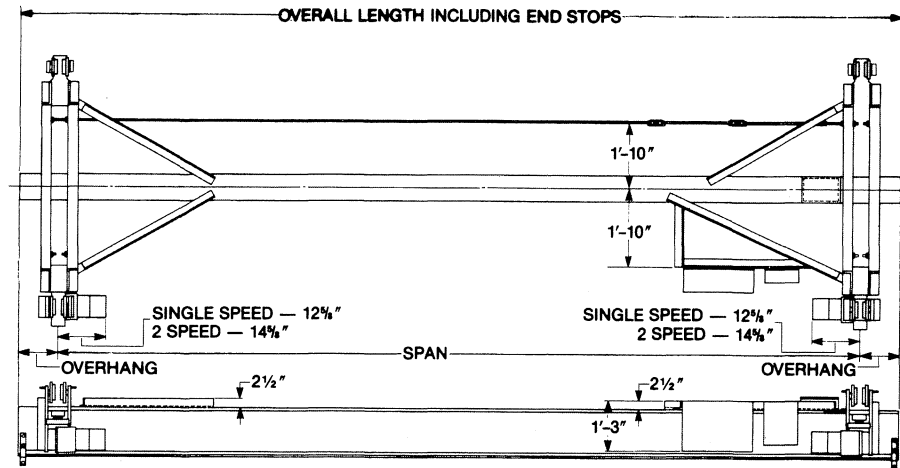
ACCO Material Handling Solutions
76 Acco Drive, Box 792, York, PA 17405-0792
717-741-4863, 800-967-7333, FAX 800-715-8897
E-mail: info@accomhs.com www.accomhs.com

© 2007 FKI Industries Inc.
Printed In USA



**LOUDEN® 585 STEEL WHEEL
DUAL DRIVE CRANES**

585-3
Issued 9-7-01



NOTES:

1. Motor H.P. shown is for each motor. Two motors required.
2. Speeds shown are based on using 1800 R.P.M. motors. Standard 2-speed motors are 1800/600 R.P.M.
3. Available non-standard speeds are: 50, 100, 150 F.P.M.
4. Design load = Live load, plus 15% live load for impact, plus 2,000 lbs. for hoist and trolley.
5. Maximum permissible wheel load on 604 type supertrack girder is 2,500 lbs. (5,000 lbs. per 2-wheel trolley). For 605 trojan track girder the limitation is 3,750 lbs. (7,500 lbs. per two wheel trolley) when transferring through 505.7830 latch; 5,000 lbs. (10,000 lbs. per two wheel trolley) when capture on bridge or when used on super-trojan track runways. (Super-trojan track requires .7500 in. min. thickness of top flange, .4375 in. min. thickness of web, and splices must be welded rather than bolted.
6. All wheels 4 1/2 Tread Diameter
7. Weights shown are based on single speed drive and controls, flat-wire festoon tagline bridge electrification, and 12" overhang each end of bridge.
8. Calculated for this crane.

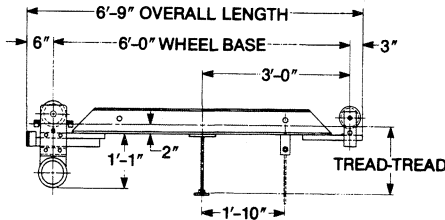
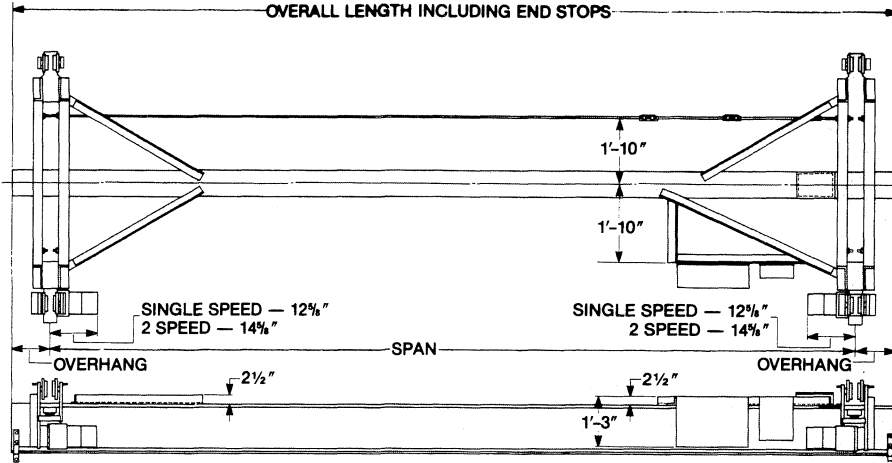
Max. Span Ft.	Part Number	Bridge Girder Required	Crane Weight (Lbs.)	Motor H.P.		OVERHANG					Truck Capacity (Max.)	Whl. Load Per Pair (8)	Idler Tr. Whl.
				Speed (F.P.M.)		In. Std.	In. Min.	In. Max.	505.7824 Latch	505.7825 Block			
				75	125								
Catalog Number 585.4003			4,000 lbs. Capacity						6,600 lbs. Design Load (4)				
12	41-0301	604.924	1450	1/2	1/2	12	7	18	14"	13"	10,000	3663	28-0593
14	41-0301	604.924	1504	1/2	1/2	12	7	18	14"	13"	10,000	3677	28-0593
16	41-0301	604.924	1558	1/2	1/2	12	7	18	14"	13"	10,000	3690	28-0593
18	41-0301	604.1231	1752	1/2	1/2	12	7	18	14"	13"	10,000	3739	28-0593
20	41-0301	604.1231	1820	1/2	1/2	12	7	18	14"	13"	10,000	3756	28-0593
22	41-0301	604.1231	1888	1/2	1/2	12	7	18	14"	13"	10,000	3773	28-0593
24	41-0301	604.1231	1956	1/2	1/2	12	7	18	14"	13"	10,000	3790	28-0593
26	41-0301	604.1435	2137	1/2	1/2	12	7	18	14"	13"	10,000	3835	28-0593
28	41-0301	604.1435	2213	1/2	1/2	12	7	18	14"	13"	10,000	3853	28-0593
30	41-0301	604.1538	2382	1/2	1/2	12	7	18	14"	13"	10,000	3896	28-0593
32	41-0301	604.1538	2464	1/2	1/2	12	7	18	14"	13"	10,000	3916	28-0593
34	41-0301	604.1846	2834	1/2	1/2	12	7	18	14"	13"	10,000	4009	28-0593
36	41-0301	604.1846	2932	1/2	1/2	12	7	18	14"	13"	10,000	4033	28-0593
38	41-0301	604.1846	3030	1/2	1/2	12	7	18	14"	13"	10,000	4058	28-0593
40	41-0301	604.2153	3422	1/2	1/2	12	7	18	14"	13"	10,000	4156	28-0593
42	41-0301	604.2153	3534	1/2	1/2	12	7	18	14"	13"	10,000	4184	28-0593
44	41-0301	604.2153	3646	1/2	1/2	12	7	18	14"	13"	10,000	4212	28-0593
46	41-0301	604.2153	3758	1/2	1/2	12	7	18	14"	13"	10,000	4240	28-0593
48	41-0301	605.2474	4920	1/2	1/2	12	7	18	14"	13"	10,000	4530	28-0593
50	41-0301	605.2474	5074	1/2	1/2	12	7	18	14"	13"	10,000	4569	28-0593

WARNING: Equipment described herein is not designed for and should not be used for lifting, supporting or transporting humans. Use of the equipment for this purpose can result in serious bodily injury and/or property damage.



**LOUDEN® 585 STEEL WHEEL
DUAL DRIVE CRANES**

585-4
Issued 9-7-01



NOTES:

1. Motor H.P. shown is for each motor. Two motors required.
2. Speeds shown are based on using 1800 R.P.M. motors. Standard 2-speed motors are 1800/600 R.P.M.
3. Available non-standard speeds are: 50, 100, 150 F.P.M.
4. Design load = Live load, plus 15% live load for impact, plus 2,000 lbs. for hoist and trolley.
5. Maximum permissible wheel load on 604 type supertrack girder is 2,500 lbs. (5,000 lbs. per 2-wheel trolley). For 605 trojan girder the limitation is 3,750 lbs. (7,500 lbs. per two wheel trolley) when transferring through 505.7830 latch; 5,000 lbs. (10,000 lbs. per two wheel trolley) when capture on bridge or when used on super-trojan track runways. (Super-trojan track requires .7500 in. min. thickness of top flange, .4375 in. min. thickness of web, and splices must be welded rather than bolted.
6. All wheels 4 1/2" Tread Diameter
7. Weights shown are based on single speed drive and controls, flat-wire festoon tagline bridge electrification, and 12' overhang each end of bridge.
8. Calculated for this crane.

Max. Span Ft.	Part Number	Bridge Girder Required	Crane Weight (Lbs.)	Motor H.P.		OVERHANG					Truck Capacity (Max.)	Whl. Load Per Pair (8)	Idler Tr. Whl.			
				Speed (F.P.M.)		In. Std.	In. Min.	In. Max.	505.7824 Latch	505.7825 Block						
				75	125											
Catalog Number 585.6003													6,000 lbs. Capacity		8,900 lbs. Design Load (4)	
12	41-0301	604.924	1450	1/2	1/2	12	7	18	14"	13"	10,000	4813	28-0593			
14	41-0301	604.924	1504	1/2	1/2	12	7	18	14"	13"	10,000	4827	28-0593			
16	41-0301	604.1231	1684	1/2	1/2	12	7	18	14"	13"	10,000	4872	28-0593			
18	41-0301	604.1231	1752	1/2	1/2	12	7	18	14"	13"	10,000	4889	28-0593			
20	41-0301	604.1231	1820	1/2	1/2	12	7	18	14"	13"	10,000	4906	28-0593			
22	41-0301	604.1435	1979	1/2	1/2	12	7	18	14"	13"	10,000	4945	28-0593			
24	41-0301	604.1435	2061	1/2	1/2	12	7	18	14"	13"	10,000	4965	28-0593			
26	41-0302	604.1538	2688	1/2	1/2	12	9	18	16 1/2"	16"	20,000	2561	28-0593			
28	41-0302	604.1538	2770	1/2	1/2	12	9	18	16 1/2"	16"	20,000	2572	28-0593			
30	41-0302	604.1846	3108	1/2	1/2	12	9	18	16 1/2"	16"	20,000	2614	28-0593			
32	41-0302	604.1846	3206	1/2	1/2	12	9	18	16 1/2"	16"	20,000	2626	28-0593			
34	41-0302	604.1846	3304	1/2	1/2	12	9	18	16 1/2"	16"	20,000	2638	28-0593			
36	41-0302	604.2153	3368	1/2	1/2	12	9	18	16 1/2"	16"	20,000	2684	28-0593			
38	41-0302	604.2153	3780	1/2	1/2	12	9	18	16 1/2"	16"	20,000	2698	28-0593			
40	41-0302	604.2153	3892	1/2	1/2	12	9	18	16 1/2"	16"	20,000	2712	28-0593			
42	41-0302	605.2474	4928	1/2	1/2	12	9	18	16 1/2"	16"	20,000	2841	28-0593			
44	41-0302	605.2474	5082	1/2	1/2	12	9	18	16 1/2"	16"	20,000	2861	28-0593			
46	41-0302	605.2474	5236	1/2	1/2	12	9	18	16 1/2"	16"	20,000	2880	28-0593			
48	41-0302	605.2785	5940	1/2	1/2	12	9	18	16 1/2"	16"	20,000	2968	28-0593			
50	41-0302	605.2785	6116	1/2	1/2	12	9	18	16 1/2"	16"	20,000	2990	28-0593			

WARNING: Equipment described herein is not designed for and should not be used for lifting, supporting or transporting humans. Use of the equipment for this purpose can result in serious bodily injury and/or property damage.



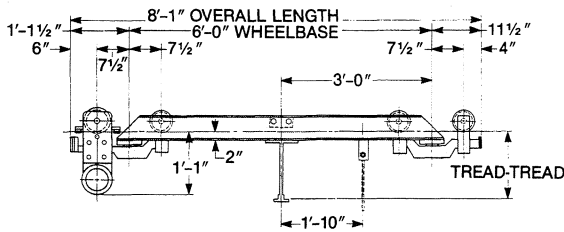
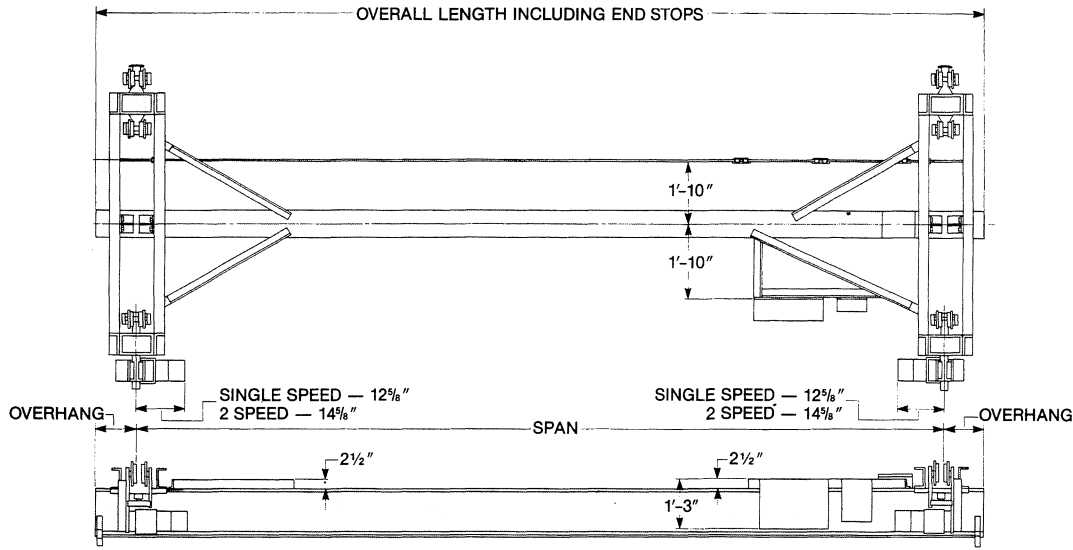
ACCO Material Handling Solutions
76 Acco Drive, Box 792, York, PA 17405-0792
717-741-4863, 800-967-7333, FAX 800-715-8897
E-mail: info@accomhs.com www.accomhs.com

© 2007 FKI Industries Inc.
Printed In USA



**LOUDEN® 585 STEEL WHEEL
DUAL DRIVE CRANES**

585-5
Issued 9-7-01



NOTES:

1. Motor H.P. shown is for each motor. Two motors required.
2. Speeds shown are based on using 1800 R.P.M. motors. Standard 2-speed motors are 1800/600 R.P.M.
3. Available non-standard speeds are: 50, 100, 150 F.P.M.
4. Design load = Live load, plus 15% live load for impact, plus 3,000 lbs. for hoist and trolley.
5. Maximum permissible wheel load on 604 type supertrack girder is 2,500 lbs. (5,000 lbs. per 2-wheel trolley). For 605 trojan track girder the limitation is 3,750 lbs. (7,500 lbs. per two wheel trolley) when transferring through 505.7830 latch; 5,000 lbs. (10,000 lbs. per two wheel trolley) when capture on bridge, or when used on super-trojan track runways. (Super-trojan track requires .7500 in. min. thickness of top flange, .4375 in. min. thickness of web, and splices must be welded rather than bolted.
6. All wheels 4 1/2 Tread Diameter
7. Weights shown are based on single speed drive and controls, flat-wire festoon tagline bridge electrification, and 12" overhang each end of bridge.
8. Calculated for this crane.

Max. Span Ft.	Part Number	Bridge Girder Required	Crane Weight (Lbs.)	Motor H.P.		OVERHANG					Truck Capacity (Max.)	Whl. Load Per Pair (8)	Idler Tr. Whl.
				Speed (F.P.M.)		In. Std.	In. Min.	In. Max.	505.7824 Latch	505.7825 Block			
				75	125								
Catalog Number 585.10003			10,000 lbs. Capacity						14,500 lbs. Design Load (4)				
12	41-0302	604.1231	2018	1/2	1/2	12	9	18	16 1/2"	16"	20,000	3878	28-0593
14	41-0302	604.1435	2086	1/2	1/2	12	9	18	16 1/2"	16"	20,000	3886	28-0593
16	41-0302	604.1435	2227	1/2	1/2	12	9	18	16 1/2"	16"	20,000	3904	28-0593
18	41-0302	604.1538	2354	1/2	1/2	12	9	18	16 1/2"	16"	20,000	3920	28-0593
20	41-0302	604.1538	2442	1/2	1/2	12	9	18	16 1/2"	16"	20,000	3931	28-0593
22	41-0302	604.1846	2716	1/2	1/2	12	9	18	16 1/2"	16"	20,000	3965	28-0593
24	41-0302	604.1846	2814	1/2	1/2	12	9	18	16 1/2"	16"	20,000	3977	28-0593
26	41-0302	604.1846	2912	1/2	1/2	12	9	18	16 1/2"	16"	20,000	3989	28-0593
28	41-0302	604.2153	3220	1/2	1/2	12	9	18	16 1/2"	16"	20,000	4028	28-0593
30	41-0302	604.2153	3332	1/2	1/2	12	9	18	16 1/2"	16"	20,000	4042	28-0593
32	41-0302	604.2153	3444	1/2	1/2	12	9	18	16 1/2"	16"	20,000	4056	28-0593
34	41-0302	604.2153	3556	1/2	1/2	12	9	18	16 1/2"	16"	20,000	4070	28-0593
36	41-0302	605.2474	4506	1/2	1	12	9	18	16 1/2"	16"	20,000	4187	28-0593
38	41-0302	605.2474	4660	1/2	1	12	9	18	16 1/2"	16"	20,000	4206	28-0593
40	41-0302	605.2474	4814	1/2	1	12	9	18	16 1/2"	16"	20,000	4225	28-0593
42	41-0302	605.2785	5452	1/2	1	12	9	18	16 1/2"	16"	20,000	4305	28-0593
44	41-0302	605.2785	5628	1/2	1	12	9	18	16 1/2"	16"	20,000	4327	28-0593
46	41-0302	605.3089	5996	1/2	1	12	9	18	16 1/2"	16"	20,000	4373	28-0593
48	41-0302	605.3094	6430	1/2	1	12	9	18	16 1/2"	16"	20,000	4427	28-0593
50	41-0302	605.3094	6624	1/2	1	12	9	18	16 1/2"	16"	20,000	4451	28-0593

WARNING: Equipment described herein is not designed for and should not be used for lifting, supporting or transporting humans. Use of the equipment for this purpose can result in serious bodily injury and/or property damage.



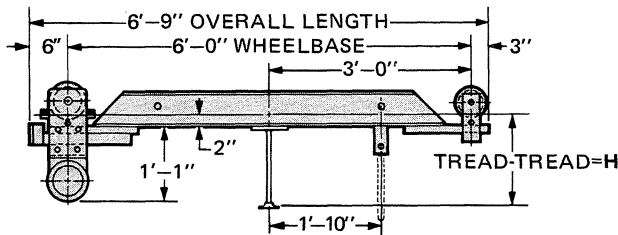
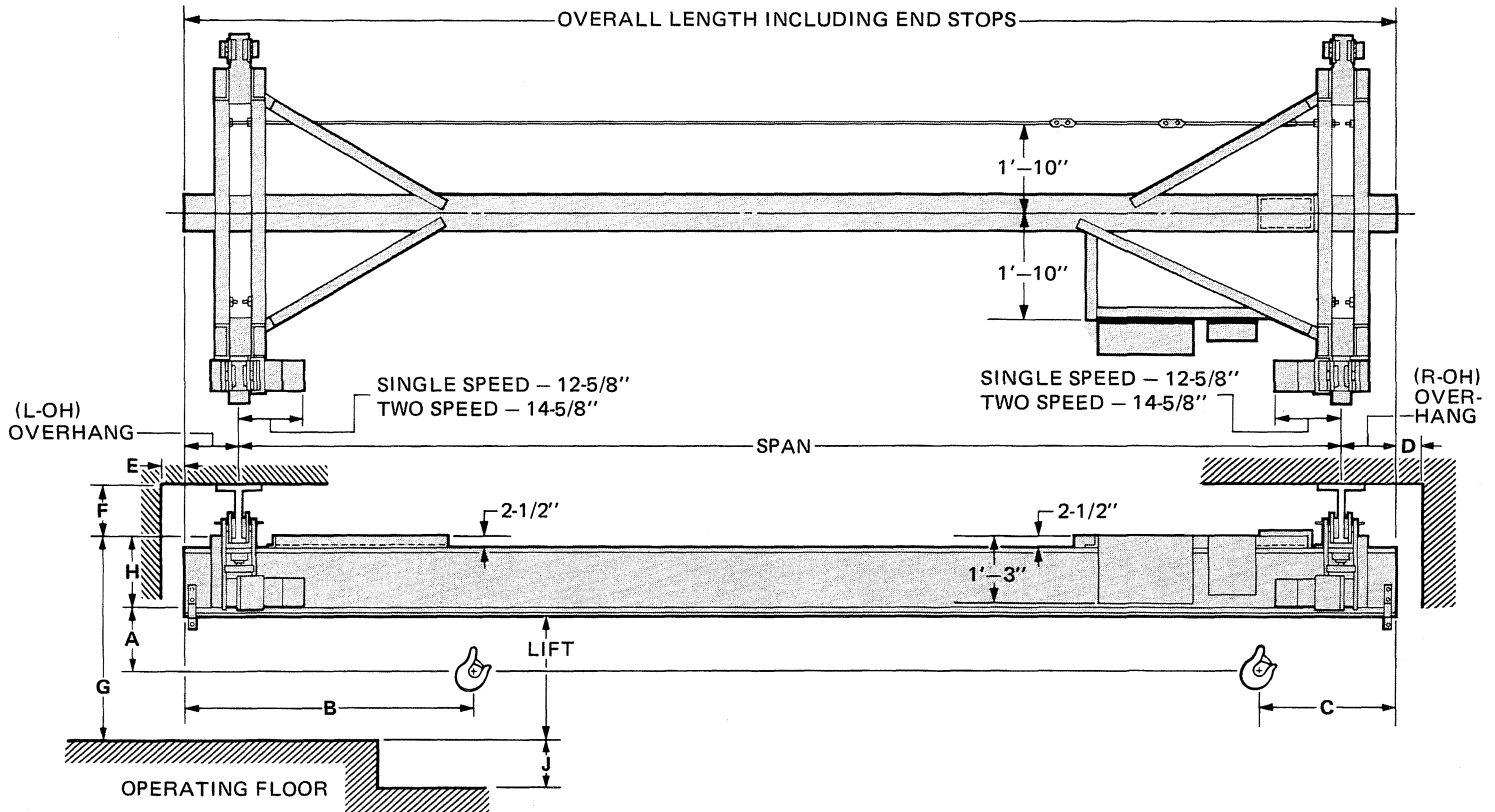
ACCO Material Handling Solutions
76 Acco Drive, Box 792, York, PA 17405-0792
717-741-4863, 800-967-7333, FAX 800-715-8897
E-mail: info@accomhs.com www.accomhs.com

© 2007 FKI Industries Inc.
Printed In USA



**LOUDEN® 585 STEEL WHEEL
DUAL DRIVE CRANES-4 WHEEL TRUCKS**

585-7
Issued 9-7-01



NOTE: Right-hand runway is standard location of runway conductors.
Minimum OSHA clearance between crane and obstruction requires 2" lateral and 3" overhead.

CRANE CATALOGUE NO. _____
 CAPACITY _____
 SPAN _____
 LEFT O.H. _____
 RIGHT O.H. _____
 BRIDGE GIRDER _____
 TRAVEL SPEED _____
 RUNWAY TRACK _____
 HOIST PROD. NO. _____
 WHEEL LOADING _____
 POWER SUPPLY _____
 CONTROL _____

CUSTOMER: _____

 CUST. ORDER NO. _____
 ACCO QUOTE NO. _____
 ACCO JOB NO. _____
 REQUIRED DATE _____
 CUSTOMER APPROVAL _____

A _____
 B _____
 C _____
 D _____
 E _____
 F _____
 G _____
 H _____
 J _____

DATE

SIGNATURE

WARNING: Equipment described herein is not designed for, and should not be used for lifting, supporting or transporting humans.
Failure to comply with any one of the limitations noted herein can result in serious bodily injury and/or property damage.



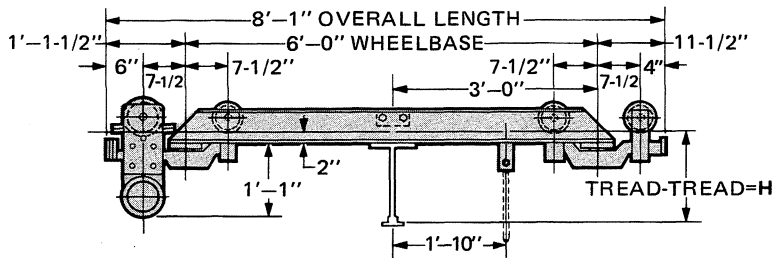
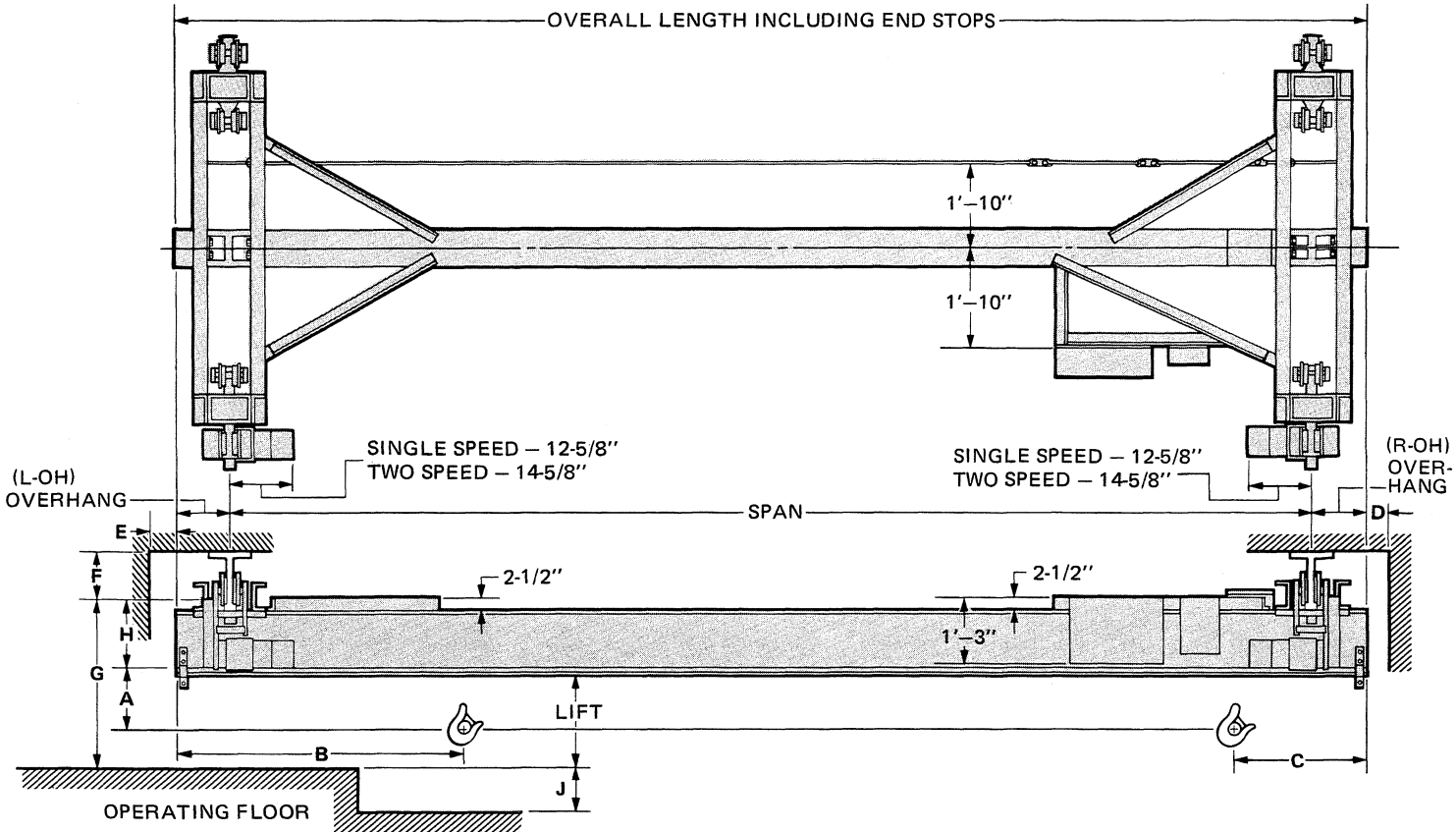
ACCO Material Handling Solutions
 76 Acco Drive, Box 792, York, PA 17405-0792
 717-741-4863, 800-967-7333, FAX 800-715-8897
 E-mail: info@accomhs.com www.accomhs.com

© 2007 FKI Industries Inc.
Printed In USA



**LOUDEN® 585 STEEL WHEEL
DUAL DRIVE CRANES-8 WHEEL TRUCKS**

585-8
Issued 9-7-01



CRANE CATALOGUE NO. _____
 CAPACITY _____
 SPAN _____
 LEFT O.H. _____
 RIGHT O.H. _____
 BRIDGE GIRDER _____
 TRAVEL SPEED _____
 RUNWAY TRACK _____
 HOIST PROD. NO. _____
 WHEEL LOADING _____
 POWER SUPPLY _____
 CONTROL _____

NOTE: Right-hand runway is standard location of runway conductors.
 Minimum OSHA clearance between crane and obstruction requires 2" lateral and 3" overhead.

CUSTOMER: _____
 CUST. ORDER NO. _____
 ACCO QUOTE NO. _____
 ACCO JOB NO. _____
 REQUIRED DATE _____
 CUSTOMER APPROVAL _____

A _____
 B _____
 C _____
 D _____
 E _____
 F _____
 G _____
 H _____
 J _____

DATE _____ SIGNATURE _____

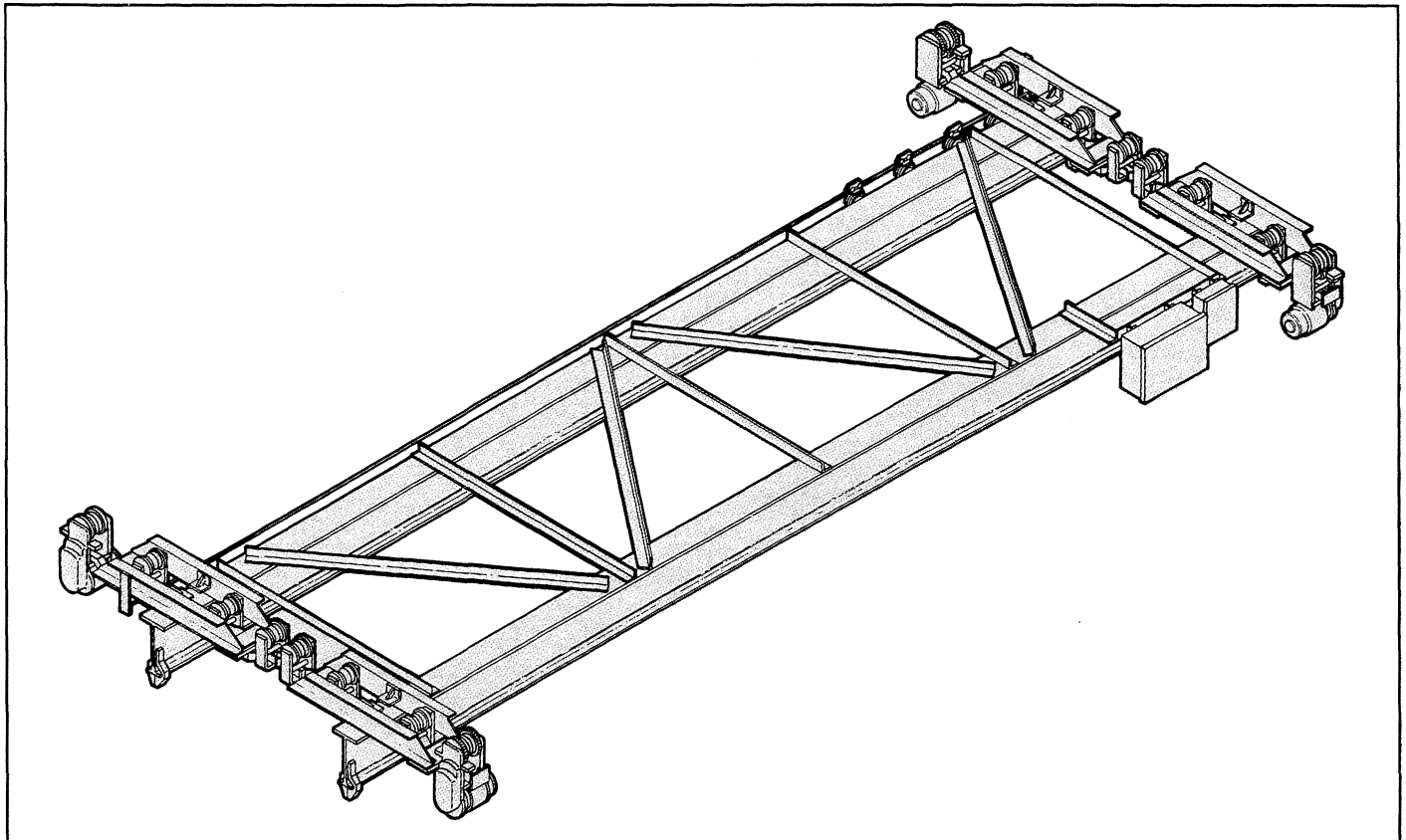
WARNING: Equipment described herein is not designed for, and should not be used for lifting, supporting or transporting humans.

Failure to comply with any one of the limitations noted herein can result in serious bodily injury and/or property damage.



ACCO Material Handling Solutions
 76 Acco Drive, Box 792, York, PA 17405-0792
 717-741-4863, 800-967-7333, FAX 800-715-8897
 E-mail: info@accomhs.com www.accomhs.com

**Double Girder, Steel Wheel Drive, Two-Runway Cranes To Operate on
604 and 605 Girder Track, 3.33" Operating Flange Runways, For Use With Electric, Air or Hand Chain Hoists**



The Louden Series 586 double girder steel wheel drive crane is offered in capacities of 1 through 10 tons, with spans to 56 feet. Standard bridge speeds are 75 and 125 F.P.M., single speed. Optional travel speeds (single speed) are 50, 100, 150 F.P.M. Also available in 2-speed and variable speed.

All speeds will have adjustable torque and speed ramps through the use of the Acco Acceleration Control Module, a solid state device providing smooth bridge motion and excellent load control.

Standard crane motors are T.E.N.V., 30 minute, with Class F insulation, 55 degree rise over 60 degree ambient. All crane motors will have an AC disc brake as standard.

Available current characteristics are 460/230 volts, 3 phase, 60 Hertz, with 115 volt control circuit.

The gear reducer utilizes spur gears cut from solid blanks to AGMA specifications, and heat treated to achieve C-60 minimum hardness – Rockwell. All gears shall be fully enclosed in an oil tight housing and splash lubricated, except for the final gear reduction at the driving wheel.

The driving wheels are 4½" in diameter at the tread and all idler trolleys are 4½" tread diameter. All wheels are drop forged and shall be a minimum of 425 Brinell hardness. Bearings shall be double row ball or tapered roller bearings.

Standard electrical equipment includes NEMA type 12 enclosure, a mainline magnetic contactor, manually operated fused mainline disconnect switch with lock out provision, branch circuit fuses, single speed magnetic reversing contactor, transformer with fused secondary, and flat wire festoon tagline bridge electrification. Festooning will consist of four power conductors and eight control conductors.



**LOUDEN® 586 DOUBLE GIRDER
STEEL WHEEL DRIVE CRANES**

586-2
Issued 9-7-01

Each crane is custom designed to fit the structure from which it is to be supported. It is designed to meet or exceed the standards of the Monorail Manufacturers Association and ANSI specification #MH27.1-1996.

The 586 series crane is designed for Class C moderate service (as defined by the above ANSI standard).

The crane is fully assembled before shipment, including the tagline festoon system, The crane will be painted with one coat of yellow lead free alkyd enamel, disassembled and match-marked for shipment.

WARNING: Equipment described herein is not designed for and should not be used for lifting, supporting or transporting humans. Use of the equipment for this purpose can result in serious bodily injury and/or property damage.



ACCO Material Handling Solutions
76 Acco Drive, Box 792, York, PA 17405-0792
717-741-4863, 800-967-7333, FAX 800-715-8897
E-mail: info@accomhs.com www.accomhs.com

© 2007 FKI Industries Inc.
Printed In USA



LOUDEN® PRODUCTS - SECTION 500
DOUBLE GIRDER, STEEL WHEEL
MULTIPLE DRIVE CRANES

586-3
 Issued 9-7-01

DOUBLE GIRDER, STEEL WHEEL MULTIPLE DRIVE CRANES
TO OPERATE ON TWO RUNWAYS OF 604 SUPERTRACK
GIRDER OR 605 TROJANTRACK GIRDER, FOR USE WITH
ELECTRIC OR AIR HOISTS ON DOUBLE GIRDER TROLLEYS.

Max. Span Ft.	Bridge Girder Required	Crane Weight (Lbs.)	Motor H.P.		Overhang					Crane Trucks		Wheel Load Per Pair (2)
			Speed (F.P.M.)		In. Std.	In. Min.	In. Max.	505.7824 Latch	505.7830 Latch	No. Wheels	Capacity (Max.)	
			75	125								
Catalog No. 586.2003			2000 Lbs. Capacity					4600 Lbs. Design Load (1)				
18	604.924	3248	1/2	1/2	12	7	18	14	13	4	10000	3112
20	604.924	3400	1/2	1/2	12	7	18	14	13	4	10000	3150
22	604.924	3552	1/2	1/2	12	7	18	14	13	4	10000	3188
24	604.924	3704	1/2	1/2	12	7	18	14	13	4	10000	3226
26	604.1231	4248	1/2	1/2	12	7	18	14	13	4	10000	3362
28	604.1231	4428	1/2	1/2	12	7	18	14	13	4	10000	3407
30	604.1231	4608	1/2	1/2	12	7	18	14	13	4	10000	3452
32	604.1231	4788	1/2	1/2	12	7	18	14	13	4	10000	3497
34	604.1231	4968	1/2	1/2	12	7	18	14	13	4	10000	3542
36	604.1435	5454	1/2	1/2	12	7	18	14	13	4	10000	3664
38	604.1435	5650	1/2	1/2	12	7	18	14	13	4	10000	3713
40	604.1538	5672	1/2	1/2	12	7	18	14	13	4	10000	3718
42	604.1538	5880	1/2	1/2	12	7	18	14	13	4	10000	3770
44	604.1846	7244	1/2	1/2	12	7	18	14	13	4	10000	4110
46	604.1846	7484	1/2	1/2	12	7	18	14	13	4	10000	4171
48	604.1846	7724	1/2	1/2	12	7	18	14	13	4	10000	4231
50	604.1846	7964	1/2	1/2	12	7	18	14	13	4	10000	4291
52	604.2153	8960	1/2	1/2	12	7	18	14	13	4	10000	4540
54	604.2153	9228	1/2	1/2	12	7	18	14	13	4	10000	4607
56	604.2153	9496	1/2	1/2	12	7	18	14	13	4	10000	4674

NOTES:

- Design load = Live Load, plus 15% live load for impact, plus 2,300 lbs. for hoist and trolley.
- Calculated for this crane with specified design load.
- Maximum permissible wheel load on 603 SuperTrack and 604 SuperTrack Girder is 2,500 Lbs. (5,000 Lbs. per two-wheel trolley). For 605 TrojanTrack Girder the limitation is 3,750 Lbs. (7,500 Lbs. per two-wheel trolley) when transferring through 505.7830 latch; 5,000 Lbs. (10,000 lbs. per two wheel trolley) when captive on bridge, or when used on Super-TrojanTrackRunways. (Super-TrojanTrack requires .75 in. min. thickness of top flange, .4375 in. min. thickness of web, and splices must be welded rather than bolted.)
- Motor H.P. shown is for each motor. A minimum of 25% of trolleys must be driven. Example: Cranes with 4-wheel or 8-wheel end trucks use two motor-drives. Cranes with 16-wheel end trucks use four motor-drives.
- Speeds shown are based on using 1800 R.P.M. motors. Standard 2-speed motors are 1800/600 R.P.M.
- Available non-standard speeds are: 50, 100, 150 F.P.M.
- All wheels 4½" Tread Diameter
- Weights shown are based on single speed drive and controls, flat-wire festoon tagline bridge electrification, and 12" overhang each end of bridge.

WARNING: Equipment described herein is not designed for and should not be used for lifting, supporting, or transporting humans. Use of the equipment for this purpose can result in serious bodily injury and/or property damage.

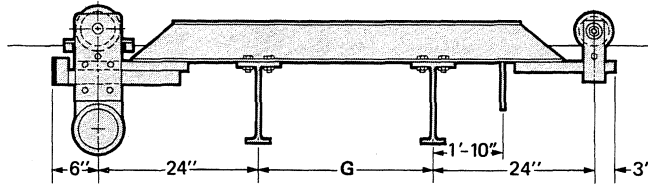


LOUDEN® PRODUCTS - SECTION 500
DOUBLE GIRDER, STEEL WHEEL
MULTIPLE DRIVE CRANES

586-4
Issued 9-7-01

**DOUBLE GIRDER, STEEL WHEEL MULTIPLE DRIVE CRANES
TO OPERATE ON TWO RUNWAYS OF 604 SUPERTRACK
GIRDER OR 605 TROJANTRACK GIRDER, FOR USE WITH
ELECTRIC OR AIR HOISTS ON DOUBLE GIRDER TROLLEYS.**

586.2000 — 18' to 56' SPANS



ACCO Material Handling Solutions
76 Acco Drive, Box 792, York, PA 17405-0792
717-741-4863, 800-967-7333, FAX 800-715-8897
E-mail: info@accomhs.com www.accomhs.com

© 2007 FKI Industries Inc.
Printed In USA



**LOUDEN® PRODUCTS - SECTION 500
DOUBLE GIRDER, STEEL WHEEL
MULTIPLE DRIVE CRANES**

586-5
Issued 9-7-01

**DOUBLE GIRDER, STEEL WHEEL MULTIPLE DRIVE CRANES
TO OPERATE ON TWO RUNWAYS OF 604 SUPERTRACK
GIRDER OR 605 TROJANTRACK GIRDER, FOR USE WITH
ELECTRIC OR AIR HOISTS ON DOUBLE GIRDER TROLLEYS.**

Max. Span Ft.	Bridge Girder Required	Crane Weight (Lbs.)	Motor H.P.		Overhang					Crane Trucks		Wheel Load Per Pair (2)
			Speed (F.P.M.)		In. Std.	In. Min.	In. Max.	505.7824 Latch	505.7830 Latch	No. Wheels	Capacity (Max.)	
			75	125								
Catalog No. 586.4003			4000 Lbs. Capacity					7110 Lbs. Design Load (1)				
18	604.924	3248	1/2	1/2	12	7	18	14	13	4	10000	4367
20	604.924	3400	1/2	1/2	12	7	18	14	13	4	10000	4405
22	604.1231	3888	1/2	1/2	12	7	18	14	13	4	10000	4527
24	604.1231	4068	1/2	1/2	12	7	18	14	13	4	10000	4572
26	604.1231	4248	1/2	1/2	12	7	18	14	13	4	10000	4617
28	604.1231	4428	1/2	1/2	12	7	18	14	13	4	10000	4662
30	604.1231	4608	1/2	1/2	12	7	18	14	13	4	10000	4707
32	604.1435	5062	1/2	1/2	12	7	18	14	13	4	10000	4821
34	604.1435	5258	1/2	1/2	12	7	18	14	13	4	10000	4870
36	604.1538	6123	1/2	1/2	12	9	18	16½	16	8	20000	2543
38	604.1538	6331	1/2	1/2	12	9	18	16½	16	8	20000	2569
40	604.1846	7306	1/2	1/2	12	9	18	16½	16	8	20000	2691
42	604.1846	7546	1/2	1/2	12	9	18	16½	16	8	20000	2721
44	604.1846	7786	1/2	1/2	12	9	18	16½	16	8	20000	2751
46	604.1846	8026	1/2	1/2	12	9	18	16½	16	8	20000	2781
48	604.2153	8952	1/2	1/2	12	9	18	16½	16	8	20000	2897
50	604.2153	9220	1/2	1/2	12	9	18	16½	16	8	20000	2930
52	604.2153	9488	1/2	1/2	12	9	18	16½	16	8	20000	2964
54	605.2166	11212	1/2	1	12	9	18	16½	16	8	20000	3179
56	605.2166	11532	1/2	1	12	9	18	16½	16	8	20000	3219

NOTES:

- Design load = Live Load, plus 15% live load for impact, plus 2,510 lbs. for hoist and trolley.
- Calculated for this crane with specified design load.
- Maximum permissible wheel load on 603 *SuperTrack* and 604 *SuperTrack* Girder is 2,500 Lbs. (5,000 Lbs. per two-wheel trolley). For 605 *TrojanTrack* Girder the limitation is 3,750 Lbs. (7,500 Lbs. per two-wheel trolley) when transferring through 505.7830 latch; 5,000 Lbs. (10,000 lbs. per two wheel trolley) when captive on bridge, or when used on *Super-TrojanTrack* Runways. (*Super-TrojanTrack* requires .75 in. min. thickness of top flange, .4375 in. min. thickness of web, and splices must be welded rather than bolted.)
- Motor H.P. shown is for each motor. A minimum of 25% of trolleys must be driven. Example: Cranes with 4-wheel or 8-wheel end trucks use two motor-drives. Cranes with 16-wheel end trucks use four motor-drives.
- Speeds shown are based on using 1800 R.P.M. motors. Standard 2-speed motors are 1800/600 R.P.M.
- Available non-standard speeds are: 50, 100, 150 F.P.M.
- All wheels 4½" Tread Diameter
- Weights shown are based on single speed drive and controls, flat-wire festoon tagline bridge electrification, and 12" overhang each end of bridge.

WARNING: Equipment described herein is not designed for and should not be used for lifting, supporting, or transporting humans. Use of the equipment for this purpose can result in serious bodily injury and/or property damage.

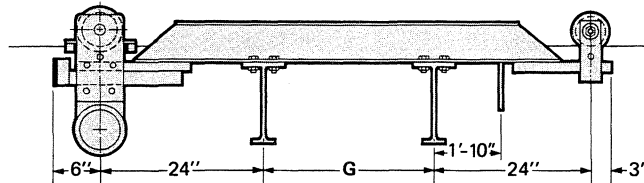


LOUDEN[®] PRODUCTS - SECTION 500
DOUBLE GIRDER, STEEL WHEEL
MULTIPLE DRIVE CRANES

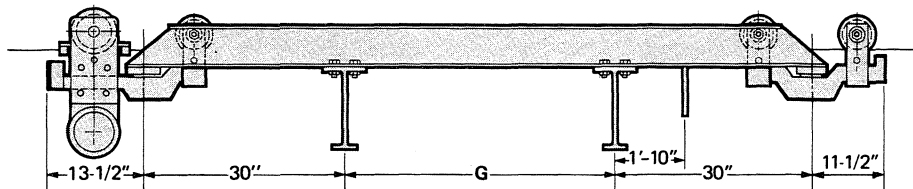
586-6
Issued 9-7-01

DOUBLE GIRDER, STEEL WHEEL MULTIPLE DRIVE CRANES
TO OPERATE ON TWO RUNWAYS OF 604 SUPERTRACK
GIRDER OR 605 TROJANTRACK GIRDER, FOR USE WITH
ELECTRIC OR AIR HOISTS ON DOUBLE GIRDER TROLLEYS.

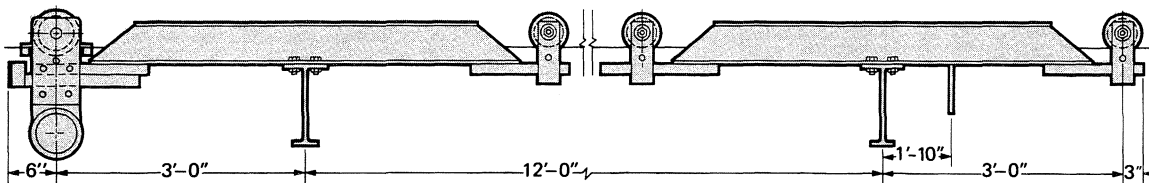
586.4000 — 18' to 34' SPANS



586.4000 — 36' to 56' SPANS



or



ACCO Material Handling Solutions
76 Acco Drive, Box 792, York, PA 17405-0792
717-741-4863, 800-967-7333, FAX 800-715-8897
E-mail: info@accomhs.com www.accomhs.com

© 2007 FKI Industries Inc.
Printed In USA



LOUEN® PRODUCTS - SECTION 500
DOUBLE GIRDER, STEEL WHEEL
MULTIPLE DRIVE CRANES

586-7
 Issued 9-7-01

DOUBLE GIRDER, STEEL WHEEL MULTIPLE DRIVE CRANES
TO OPERATE ON TWO RUNWAYS OF 604 SUPERTRACK
GIRDER OR 605 TROJANTRACK GIRDER, FOR USE WITH
ELECTRIC OR AIR HOISTS ON DOUBLE GIRDER TROLLEYS.

Max. Span Ft.	Bridge Girder Required	Crane Weight (Lbs.)	Motor H.P.		Overhang					Crane Trucks		Wheel Load Per Pair (2)
			Speed (F.P.M.)		In. Std.	In. Min.	In. Max.	505.7824 Latch	505.7830 Latch	No. Wheels	Capacity (Max.)	
			75	125								
Catalog No. 586.6003			6000 Lbs. Capacity					9480 Lbs. Design Load (1)				
18	604.924	3770	1/2	1/2	12	9	18	16½	16	8	20000	2842
20	604.1231	4236	1/2	1/2	12	9	18	16½	16	8	20000	2900
22	604.1231	4416	1/2	1/2	12	9	18	16½	16	8	20000	2923
24	604.1231	4596	1/2	1/2	12	9	18	16½	16	8	20000	2945
26	604.1231	4776	1/2	1/2	12	9	18	16½	16	8	20000	2968
28	604.1435	5198	1/2	1/2	12	9	18	16½	16	8	20000	3020
30	604.1435	5394	1/2	1/2	12	9	18	16½	16	8	20000	3045
32	604.1435	5590	1/2	1/2	12	9	18	16½	16	8	20000	3069
34	604.1538	5996	1/2	1/2	12	9	18	16½	16	8	20000	3120
36	604.1538	6204	1/2	1/2	12	9	18	16½	16	8	20000	3146
38	604.1846	7092	1/2	1/2	12	9	18	16½	16	8	20000	3257
40	604.1846	7332	1/2	1/2	12	9	18	16½	16	8	20000	3287
42	604.1846	7572	1/2	1/2	12	9	18	16½	16	8	20000	3317
44	604.1846	7812	1/2	1/2	12	9	18	16½	16	8	20000	3347
46	604.2153	8724	1/2	1	12	9	18	16½	16	8	20000	3461
48	604.2153	8992	1/2	1	12	9	18	16½	16	8	20000	3494
50	604.2153	9260	1/2	1	12	9	18	16½	16	8	20000	3528
52	605.2166	10932	1/2	1	12	9	18	16½	16	8	20000	3737
54	605.2166	11252	1/2	1	12	9	18	16½	16	8	20000	3777
56	605.2474	12500	1/2	1	12	9	18	16½	16	8	20000	3933

NOTES:

- Design load = Live Load, plus 15% live load for impact, plus 2,580 lbs. for hoist and trolley.
- Calculated for this crane with specified design load.
- Maximum permissible wheel load on 603 SuperTrack and 604 SuperTrack Girder is 2,500 Lbs. (5,000 Lbs. per two-wheel trolley). For 605 TrojanTrack Girder the limitation is 3,750 Lbs. (7,500 Lbs. per two-wheel trolley) when transferring through 505.7830 latch; 5,000 Lbs. (10,000 lbs. per two wheel trolley) when captive on bridge, or when used on Super-TrojanTrackRunways. (Super-TrojanTrack requires .75 in. min. thickness of top flange, .4375 in. min. thickness of web, and splices must be welded rather than bolted.)
- Motor H.P. shown is for each motor. A minimum of 25% of trolleys must be driven. Example: Cranes with 4-wheel or 8-wheel end trucks use two motor-drives. Cranes with 16-wheel end trucks use four motor-drives.
- Speeds shown are based on using 1800 R.P.M. motors. Standard 2-speed motors are 1800/600 R.P.M.
- Available non-standard speeds are: 50, 100, 150 F.P.M.
- All wheels 4½" Tread Diameter
- Weights shown are based on single speed drive and controls, flat-wire festoon tagline bridge electrification, and 12" overhang each end of bridge.

WARNING: Equipment described herein is not designed for and should not be used for lifting, supporting, or transporting humans. Use of the equipment for this purpose can result in serious bodily injury and/or property damage.

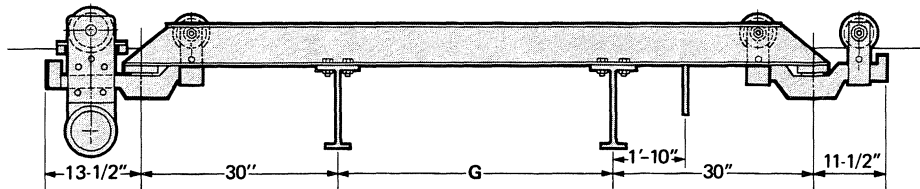


LOUDEN® PRODUCTS - SECTION 500
DOUBLE GIRDER, STEEL WHEEL
MULTIPLE DRIVE CRANES

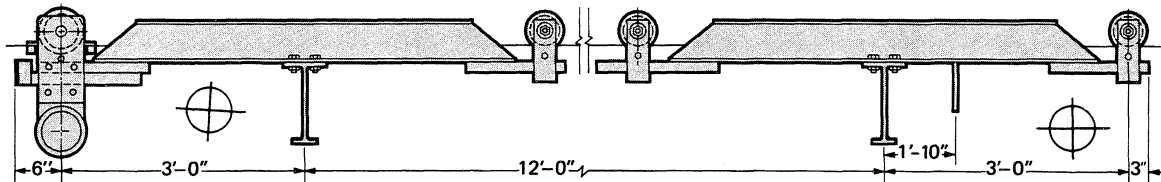
586-8
Issued 9-7-01

DOUBLE GIRDER, STEEL WHEEL MULTIPLE DRIVE CRANES
TO OPERATE ON TWO RUNWAYS OF 604 SUPERTRACK
GIRDER OR 605 TROJANTRACK GIRDER, FOR USE WITH
ELECTRIC OR AIR HOISTS ON DOUBLE GIRDER TROLLEYS.

586.6000 — 18' to 56' SPANS



or



ACCO Material Handling Solutions
76 Acco Drive, Box 792, York, PA 17405-0792
717-741-4863, 800-967-7333, FAX 800-715-8897
E-mail: info@accomhs.com www.accomhs.com

© 2007 FKI Industries Inc.
Printed In USA



LOUDEN® PRODUCTS - SECTION 500
DOUBLE GIRDER, STEEL WHEEL
MULTIPLE DRIVE CRANES

586-9
 Issued 9-7-01

DOUBLE GIRDER, STEEL WHEEL MULTIPLE DRIVE CRANES
TO OPERATE ON TWO RUNWAYS OF 604 SUPERTRACK
GIRDER OR 605 TROJANTRACK GIRDER, FOR USE WITH
ELECTRIC OR AIR HOISTS ON DOUBLE GIRDER TROLLEYS.

Max. Span Ft.	Bridge Girder Required	Crane Weight (Lbs.)	Motor H.P.		Overhang					Crane Trucks		Wheel Load Per Pair (2)
			Speed (F.P.M.)		In. Std.	In. Min.	In. Max.	505.7824 Latch	505.7830 Latch	No. Wheels	Capacity (Max.)	
			75	125								
Catalog No. 586.10003			10000 Lbs. Capacity					15840 Lbs. Design Load (1)				
18	604.1231	4050	1/2	1	12	9	18	16½	16	8	20000	4472
20	604.1231	4230	1/2	1	12	9	18	16½	16	8	20000	4495
22	604.1231	4410	1/2	1	12	9	18	16½	16	8	20000	4517
24	604.1435	4806	1/2	1	12	9	18	16½	16	8	20000	4566
26	604.1435	5002	1/2	1	12	9	18	16½	16	8	20000	4591
28	604.1538	5372	1/2	1	12	9	18	16½	16	8	20000	4637
30	604.1538	5580	1/2	1	12	9	18	16½	16	8	20000	4663
32	604.1846	6332	1/2	1	12	9	18	16½	16	8	20000	4757
34	604.1846	6572	1/2	1	12	9	18	16½	16	8	20000	4787
36	604.1846	6812	1/2	1	12	9	18	16½	16	8	20000	4817
38	604.2153	7652	1/2	1	12	9	18	16½	16	8	20000	4922
40	604.2153	8864	1/2	1/2	12	9	18	16½	16	16	40000	2534
42	604.2153	9132	1/2	1/2	12	9	18	16½	16	16	40000	2551
44	604.2153	9400	1/2	1/2	12	9	18	16½	16	16	40000	2568
46	605.2166	10854	1/2	1/2	12	9	18	16½	16	16	40000	2659
48	605.2166	11174	1/2	1/2	12	9	18	16½	16	16	40000	2679
50	605.2474	12418	1/2	1/2	12	9	18	16½	16	16	40000	2757
52	605.2474	12770	1/2	1/2	12	9	18	16½	16	16	40000	2779
54	605.2474	13122	1/2	1/2	12	9	18	16½	16	16	40000	2801
56	605.2785	14750	1/2	1/2	12	9	18	16½	16	16	40000	2902

NOTES:

- Design load = Live Load, plus 15% live load for impact, plus 4,340 lbs. for hoist and trolley.
- Calculated for this crane with specified design load.
- Maximum permissible wheel load on 603 SuperTrack and 604 SuperTrack Girder is 2,500 Lbs. (5,000 Lbs. per two-wheel trolley). For 605 TrojanTrack Girder the limitation is 3,750 Lbs. (7,500 Lbs. per two-wheel trolley) when transferring through 505.7830 latch; 5,000 Lbs. (10,000 lbs. per two wheel trolley) when captive on bridge, or when used on Super-TrojanTrackRunways. (Super-Trojan-Track requires .75 in. min. thickness of top flange, .4375 in. min. thickness of web, and splices must be welded rather than bolted.)
- Motor H.P. shown is for each motor. A minimum of 25% of trolleys must be driven. Example: Cranes with 4-wheel or 8-wheel end trucks use two motor-drives. Cranes with 16-wheel end trucks use four motor-drives.
- Speeds shown are based on using 1800 R.P.M. motors. Standard 2-speed motors are 1800/600 R.P.M.
- Available non-standard speeds are: 50, 100, 150 F.P.M.
- All wheels 4½" Tread Diameter
- Weights shown are based on single speed drive and controls, flat-wire festoon tagline bridge electrification, and 12" overhang each end of bridge.

WARNING: Equipment described herein is not designed for and should not be used for lifting, supporting, or transporting humans. Use of the equipment for this purpose can result in serious bodily injury and/or property damage.

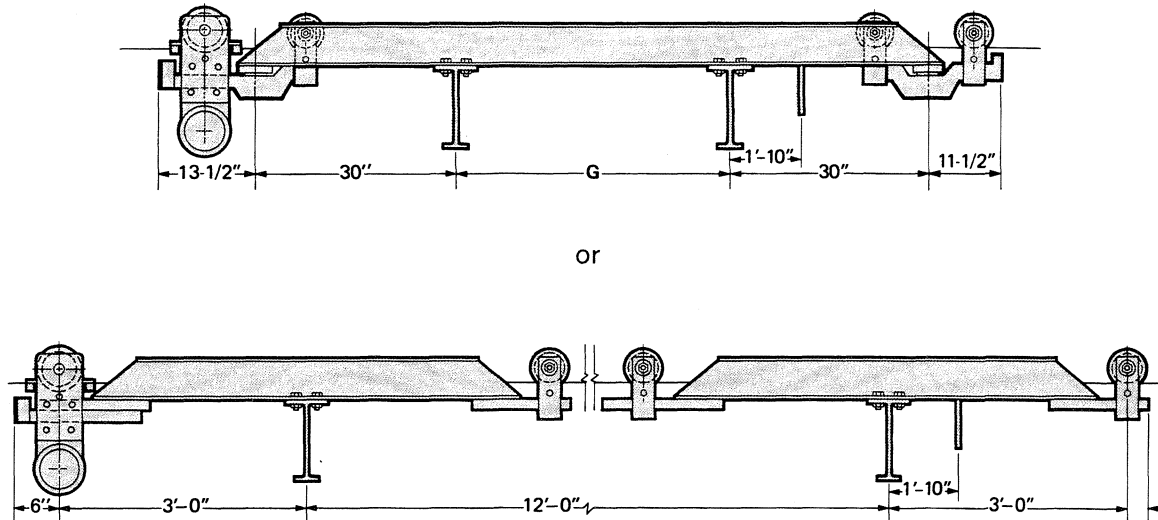


LOUDEN® PRODUCTS - SECTION 500
DOUBLE GIRDER, STEEL WHEEL
MULTIPLE DRIVE CRANES

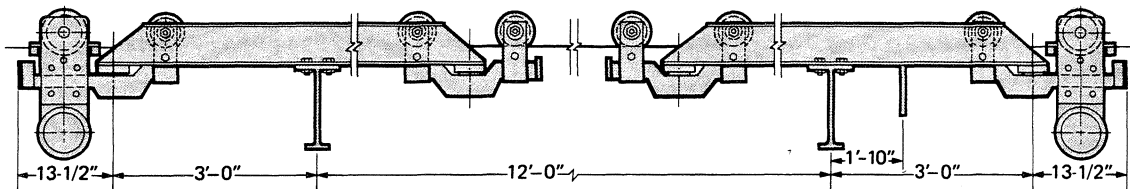
586-10
Issued 9-7-01

**DOUBLE GIRDER, STEEL WHEEL MULTIPLE DRIVE CRANES
TO OPERATE ON TWO RUNWAYS OF 604 SUPERTRACK
GIRDER OR 605 TROJANTRACK GIRDER, FOR USE WITH
ELECTRIC OR AIR HOISTS ON DOUBLE GIRDER TROLLEYS.**

586.10.000 — 18' to 38' SPANS



586.10.000 — 40' to 56' SPANS



ACCO Material Handling Solutions
76 Acco Drive, Box 792, York, PA 17405-0792
717-741-4863, 800-967-7333, FAX 800-715-8897
E-mail: info@accomhs.com www.accomhs.com

© 2007 FKI Industries Inc.
Printed In USA



LOUDEN® PRODUCTS - SECTION 500
DOUBLE GIRDER, STEEL WHEEL
MULTIPLE DRIVE CRANES

586-11
 Issued 9-7-01

DOUBLE GIRDER, STEEL WHEEL MULTIPLE DRIVE CRANES
TO OPERATE ON TWO RUNWAYS OF 604 SUPERTRACK
GIRDER OR 605 TROJANTRACK GIRDER, FOR USE WITH
ELECTRIC OR AIR HOISTS ON DOUBLE GIRDER TROLLEYS.

Max. Span Ft.	Bridge Girder Required	Crane Weight (Lbs.)	Motor H.P.		Overhang					Crane Trucks		Wheel Load Per Pair (2)
			Speed (F.P.M.)		In. Std.	In. Min.	In. Max.	505.7824 Latch	505.7830 Latch	No. Wheels	Capacity (Max.)	
			75	125								
Catalog No. 586.15003			15000 Lbs. Capacity					23650 Lbs. Design Load (1)				
18	604.1435	5044	1/2	1/2	12	9	18	N.A.	16	16	40000	3272
20	604.1435	5240	1/2	1/2	12	9	18	N.A.	16	16	40000	3285
22	604.1538	5642	1/2	1/2	12	9	18	N.A.	16	16	40000	3309
24	604.1846	6228	1/2	1/2	12	9	18	N.A.	16	16	40000	3346
26	604.1846	6468	1/2	1/2	12	9	18	N.A.	16	16	40000	3361
28	604.1846	6708	1/2	1/2	12	9	18	N.A.	16	16	40000	3376
30	604.1846	6948	1/2	1/2	12	9	18	N.A.	16	16	40000	3391
32	604.2153	7688	1/2	1/2	12	9	18	N.A.	16	16	40000	3437
34	604.2153	7956	1/2	1/2	12	9	18	N.A.	16	16	40000	3454
36	604.2153	8224	1/2	1/2	12	9	18	N.A.	16	16	40000	3471
38	604.2153	8492	1/2	1/2	12	9	18	N.A.	16	16	40000	3487
40	605.2166	9956	1/2	1/2	12	9	18	N.A.	16	16	40000	3579
42	605.2166	10276	1/2	1/2	12	9	18	N.A.	16	16	40000	3595
44	605.2474	11344	1/2	1/2	12	9	18	N.A.	16	16	40000	3666
46	605.2474	11696	1/2	1/2	12	9	18	N.A.	16	16	40000	3688
48	605.2474	12048	1/2	1/2	12	9	18	N.A.	16	16	40000	3710
50	605.2474	12400	1/2	1/2	12	9	18	N.A.	16	16	40000	3732
52	605.2785	13940	1/2	1	12	9	18	N.A.	16	16	40000	3828
54	605.2785	14336	1/2	1	12	9	18	N.A.	16	16	40000	3853
56	605.3089	15180	1/2	1	12	9	18	N.A.	16	16	40000	3905

NOTES:

- Design load = Live Load, plus 15% live load for impact, plus 6,400 lbs. for hoist and trolley.
- Calculated for this crane with specified design load.
- Maximum permissible wheel load on 603 SuperTrack and 604 SuperTrack Girder is 2,500 Lbs. (5,000 Lbs. per two-wheel trolley). For 605 TrojanTrack Girder the limitation is 3,750 Lbs. (7,500 Lbs. per two-wheel trolley) when transferring through 505.7830 latch; 5,000 Lbs. (10,000 lbs. per two wheel trolley) when captive on bridge, or when used on Super-TrojanTrackRunways. (Super-TrojanTrack requires .75 in. min. thickness of top flange, .4375 in. min. thickness of web, and splices must be welded rather than bolted.)
- Motor H.P. shown is for each motor. A minimum of 25% of trolleys must be driven. Example: Cranes with 4-wheel or 8-wheel end trucks use two motor-drives. Cranes with 16-wheel end trucks use four motor-drives.
- Speeds shown are based on using 1800 R.P.M. motors. Standard 2-speed motors are 1800/600 R.P.M.
- Available non-standard speeds are: 50, 100, 150 F.P.M.
- All wheels 4½" Tread Diameter
- Weights shown are based on single speed drive and controls, flat-wire festoon tagline bridge electrification, and 12" overhang each end of bridge.

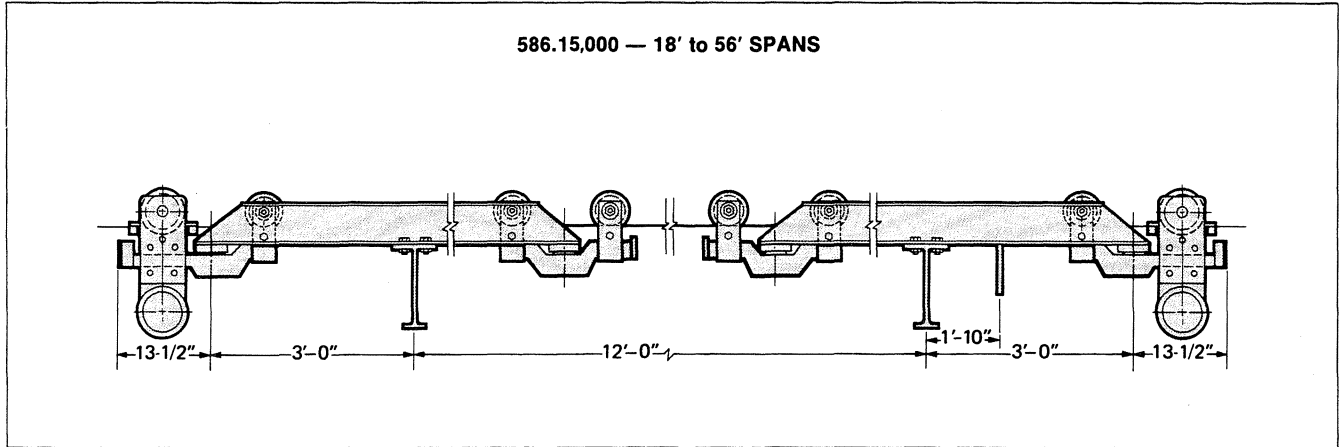
WARNING: Equipment described herein is not designed for and should not be used for lifting, supporting, or transporting humans. Use of the equipment for this purpose can result in serious bodily injury and/or property damage.



Lowden® PRODUCTS - SECTION 500
DOUBLE GIRDER, STEEL WHEEL
MULTIPLE DRIVE CRANES

586-12
Issued 9-7-01

**DOUBLE GIRDER, STEEL WHEEL MULTIPLE DRIVE CRANES
TO OPERATE ON TWO RUNWAYS OF 604 SUPERTRACK
GIRDER OR 605 TROJANTRACK GIRDER, FOR USE WITH
ELECTRIC OR AIR HOISTS ON DOUBLE GIRDER TROLLEYS.**



ACCO Material Handling Solutions
76 Acco Drive, Box 792, York, PA 17405-0792
717-741-4863, 800-967-7333, FAX 800-715-8897
E-mail: info@accomhs.com www.accomhs.com

© 2007 FKI Industries Inc.
Printed In USA



LOUDEN® PRODUCTS - SECTION 500
DOUBLE GIRDER, STEEL WHEEL
MULTIPLE DRIVE CRANES

586-13
 Issued 9-7-01

DOUBLE GIRDER, STEEL WHEEL MULTIPLE DRIVE CRANES
TO OPERATE ON TWO RUNWAYS OF 604 SUPERTRACK
GIRDER OR 605 TROJANTRACK GIRDER, FOR USE WITH
ELECTRIC OR AIR HOISTS ON DOUBLE GIRDER TROLLEYS.

Max. Span Ft.	Bridge Girder Required	Crane Weight (Lbs.)	Motor H.P.		Overhang					Crane Trucks		Wheel Load Per Pair (2)
			Speed (F.P.M.)		In. Std.	In. Min.	In. Max.	505.7824 Latch	505.7830 Latch	No. Wheels	Capacity (Max.)	
			75	125								
Catalog No. 586.20003			20000 Lbs. Capacity					29700 Lbs. Design Load (1)				
18	604.1538	5158	1/2	1/2	12	9	18	N.A.	16	16	40000	4035
20	604.1846	5748	1/2	1/2	12	9	18	N.A.	16	16	40000	4072
22	604.1846	5988	1/2	1/2	12	9	18	N.A.	16	16	40000	4087
24	604.1846	6228	1/2	1/2	12	9	18	N.A.	16	16	40000	4102
26	604.2153	6860	1/2	1/2	12	9	18	N.A.	16	16	40000	4142
28	604.2153	7128	1/2	1	12	9	18	N.A.	16	16	40000	4158
30	604.2153	7396	1/2	1	12	9	18	N.A.	16	16	40000	4175
32	605.2166	8676	1/2	1	12	9	18	N.A.	16	16	40000	4255
34	605.2166	8996	1/2	1	12	9	18	N.A.	16	16	40000	4275
36	605.2166	9316	1/2	1	12	9	18	N.A.	16	16	40000	4295
38	605.2166	9636	1/2	1	12	9	18	N.A.	16	16	40000	4315
40	605.2166	9956	1/2	1	12	9	18	N.A.	16	16	40000	4335
42	605.2474	10992	1/2	1	12	9	18	N.A.	16	16	40000	4400
44	605.2474	11344	1/2	1	12	9	18	N.A.	16	16	40000	4422
46	605.2474	11696	1/2	1	12	9	18	N.A.	16	16	40000	4444
48	605.2785	13148	1/2	1	12	9	18	N.A.	16	16	40000	4535
50	605.2785	13544	1/2	1	12	9	18	N.A.	16	16	40000	4559
52	605.2785	13940	1/2	1	12	9	18	N.A.	16	16	40000	4584
54	605.3089	14768	1/2	1	12	9	18	N.A.	16	16	40000	4636
56	605.3089	15180	1/2	1	12	9	18	N.A.	16	16	40000	4662

NOTES:

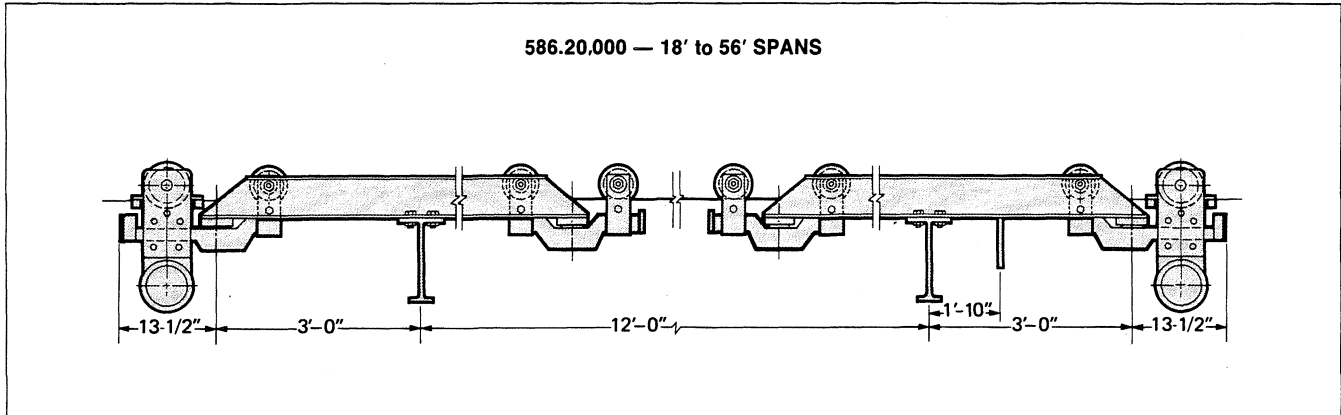
- Design load = Live Load, plus 15% live load for impact, plus 6,700 lbs. for hoist and trolley.
- Calculated for this crane with specified design load.
- Maximum permissible wheel load on 603 *SuperTrack* and 604 *SuperTrack* Girder is 2,500 Lbs. (5,000 Lbs. per two-wheel trolley). For 605 *TrojanTrack* Girder the limitation is 3,750 Lbs. (7,500 Lbs. per two-wheel trolley) when transferring through 505.7830 latch; 5,000 Lbs. (10,000 lbs. per two wheel trolley) when captive on bridge, or when used on *Super-TrojanTrack* Runways. (*Super-TrojanTrack* requires .75 in. min. thickness of top flange, .4375 in. min. thickness of web, and splices must be welded rather than bolted.)
- Motor H.P. shown is for each motor. A minimum of 25% of trolleys must be driven. Example: Cranes with 4-wheel or 8-wheel end trucks use two motor-drives. Cranes with 16-wheel end trucks use four motor-drives.
- Speeds shown are based on using 1800 R.P.M. motors. Standard 2-speed motors are 1800/600 R.P.M.
- Available non-standard speeds are: 50, 100, 150 F.P.M.
- All wheels 4½" Tread Diameter
- Weights shown are based on single speed drive and controls, flat-wire festoon tagline bridge electrification, and 12" overhang each end of bridge.



LOUDEN® PRODUCTS - SECTION 500
DOUBLE GIRDER, STEEL WHEEL
MULTIPLE DRIVE CRANES

586-14
Issued 9-7-01

DOUBLE GIRDER, STEEL WHEEL MULTIPLE DRIVE CRANES
TO OPERATE ON TWO RUNWAYS OF 604 SUPERTRACK
GIRDER OR 605 TROJANTRACK GIRDER, FOR USE WITH
ELECTRIC OR AIR HOISTS ON DOUBLE GIRDER TROLLEYS.



ACCO Material Handling Solutions
76 Acco Drive, Box 792, York, PA 17405-0792
717-741-4863, 800-967-7333, FAX 800-715-8897
E-mail: info@accomhs.com www.accomhs.com

© 2007 FKI Industries Inc.
Printed In USA

LOUDEN®
MONORAIL AND CRANE
SYSTEM TRACK

Louden® Track

Engineered for maximum strength, long wear and ease of installation, *Louden*® runway tracks and track fittings are designed to meet span, load and duty requirements for a wide range of applications. Composed of special analysis high carbon, high manganese steel, *Louden*® *SuperTrack*™ Patented Track, *SuperTrack*™ Girder Track Girder, and *TrojanTrack*™ Girder track sections are rolled to maintain close tolerances on all dimensions. These close tolerances make it possible to construct interlocking material handling systems and to standardize suspension systems and monorail switches. Rail peening and wear are reduced to a minimum by the flat track tread and the minimum Brinnell Hardness of 225.

Louden® runway track is available in a variety of sizes matched to service requirements. *SuperTrack*™ Patented Track is the standard track used for many heavy duty applications. *SuperTrack*™ Girder Track is used to reduce installation costs where building bay spans would otherwise require the installation of extra superstructure and intermediate hangers. *TrojanTrack*™ Girder Track is designed for use in extreme heavy service and in situations exceeding normal heavy duty service.

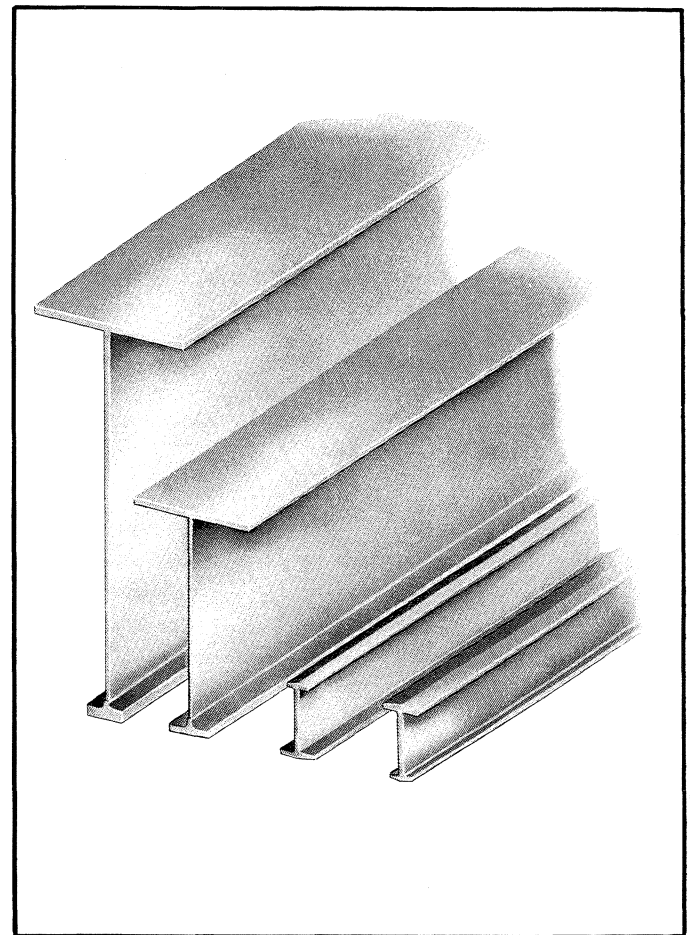
Louden® runway track is tailor-made for your job requirements. Each section of straight track is cut to exact length, all holes are formed and each curve is machine bent at the factory to layout drawings and specifications. Every piece of track is shipped from the factory ready for installation.

Louden® *SuperTrack*™ Patented Track

Louden® *SuperTrack*™ Patented Track is the pioneer heavy duty monorail track section. Available with 2" or 3.33" wide operating flange, *SuperTrack*™ Patented Track provides a beam of exceptional strength and durability for monorail and crane applications.

Louden® *SuperTrack*™ Girder Track

Louden® *SuperTrack*™ Girder Track has an operating flange made with special analysis steel continuously welded to the supporting web and top



flange to give a load carrying member with a free span strength greater than *SuperTrack*™ Patented Track. The flat operating flange of *SuperTrack*™ Girder Track is 3.33" wide and 7/16" thick.

Louden® *TrojanTrack*™ Girder Track

Louden® *TrojanTrack*™ Girder Track has the strongest operating flange of any especially rolled monorail track section offered by the Material Handling Group. The 13/16" thick operating flange, 3.33" wide, is capable of sustaining large wheel loads under rugged heavy duty service and remain free from excessive peening and wear. *TrojanTrack*™ Girder Track is of three piece construction. The girder web and top flange are cut from steel plate and are continuously welded to the high carbon, high manganese operating flange.



TRACK SPECIFICATIONS	MINIMUM CARBON CONTENT	MINIMUM MANGANESE CONTENT	MINIMUM ULTIMATE TENSILE	MINIMUM YIELD POINT	MINIMUM BRINELL HARDNESS	TOP FLANGE WIDTH	BOTTOM FLANGE WIDTH	TREAD THICKNESS
602 SUPERTRACK™ PATENTED TRACK	.60%	.75%	113,000 psi	63,000 psi	225	3.33"	2"	3/8"
603 SUPERTRACK™ PATENTED TRACK	.60%	.75%	113,000 psi	63,000 psi	225	2"	3.33"	7/16"
604 SUPERTRACK™ GIRDER TRACK	.50%	1.00%	115,000 psi	78,500 psi	225	*	3.33"	7/16"
605 TROJANTRACK™ GIRDER TRACK	.50%	1.00%	115,000 psi	78,500 psi	225	*	3.33"	13/16"

*See Track Tables in Specific Sections

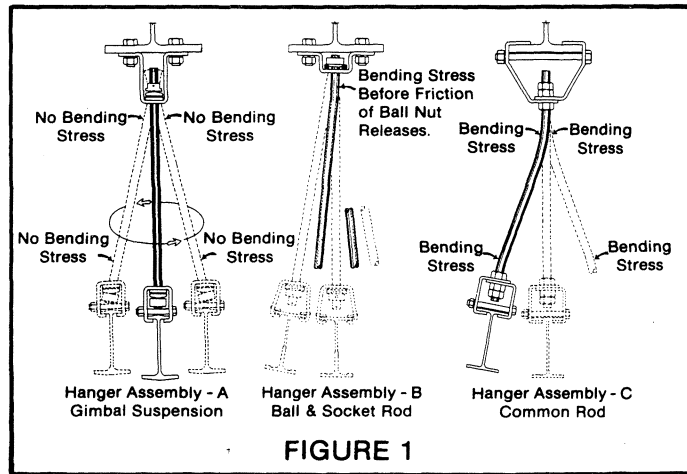
Louden® Gimbal Suspension System

The Louden® Gimbal Suspension System is one of the most important component improvements in the history of the monorail industry. This method of suspension protects against the extreme bending stresses that often cause fatigue failure of rigidly connected hanger rods. Multiplane washers at each end of the rod give a gimbal effect that permits free movement of + 6° in any direction without bending the rod.

Figure 1 shows typical hanger rod arrangements. Note in assembly "A" how the gimbal washers permit free movement in any direction within the 6° limits.

Assembly "B" shows a ball and socket type hanger rod assembly. It would appear that such an arrangement would allow full freedom of rod movement in any direction. Tests show, however, there is visible bending of the rod and high bending stress before bearing friction is overcome, permitting pivot movement in the ball joint.

In assembly "C" the bending stresses caused by movement of the runway are obvious and expected. It has been found in practice that it is not possible to apply enough sway bracing to prevent dangerous bending stress in this type of hanger rod.



Lower Flange Loading		
602.6 SuperTrack Patented Track	750# per Wheel	1,500# per 2-Wheel Trolley
603.6 SuperTrack Patented Track	2,500# per Wheel	5,000# per 2-Wheel Trolley
604 Series SuperTrack Girder Track	2,500# per Wheel	5,000# per 2-Wheel Trolley
605 Series TrojanTrack Girder Track	3,750# per Wheel	7,500# per 2-Wheel Trolley
605 Series SuperTrojanTrack Girder Track	5,000# per Wheel	10,000# per 2-Wheel Trolley

*SuperTrojanTrack requires 3/4" minimum top flange, 7/16" thick web plate, splices must be welded



Figure 2 illustrates the conditions under which a hanger rod may be subject to bending. The amount of hanger rod bend is exaggerated in the diagram so these conditions may be more clearly seen.

Observe how the free movement of the Gimbal Suspension System permits the rod to align to suit conditions. Note in both hanger assemblies "B" and "C" (ball and socket and common rod), the bending stress build-up that occurs.

Figure 3 shows the dynamic test apparatus used to compare the various types of track hanger rods. BLH Strain Gauges cemented to the rod were connected to a BLH Model 120 Strain Indicator, a Model 9803 Strain Gauge Coupler and an Offner RS Dynagraph to record the tests. The three-ton mass was moved through an increasing arc and the strain within the rod was recorded on graph tape. The indicator at the bottom of the mass measured the sway in inches.

The Dynagraph tapes in Figure 4 show one series of tests comparing the bending stress in the three types of hanger rods. At 4" of sway, the strain on the Gimbal Rod was only 600 micro-inches per inch, while the strain on the ball nut rod was 2200 micro-inches per inch before overcoming friction in the ball and socket joint.

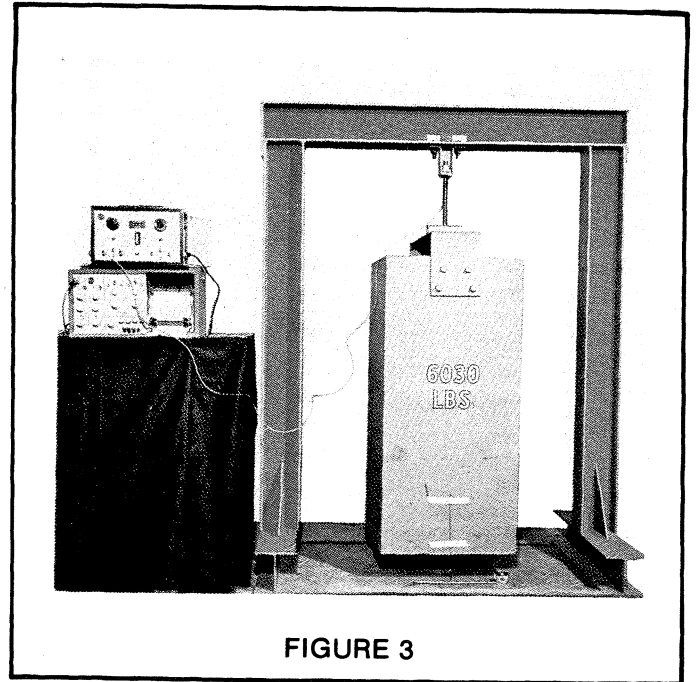


FIGURE 3

TYPE OF SUSPENSION	MISALIGNED HANGER	TRACK DEFLECTION	TRACK SWAY
GIMBAL SUSPENSION SYSTEM			
HANGER ASSEMBLY B and C			

FIGURE 2

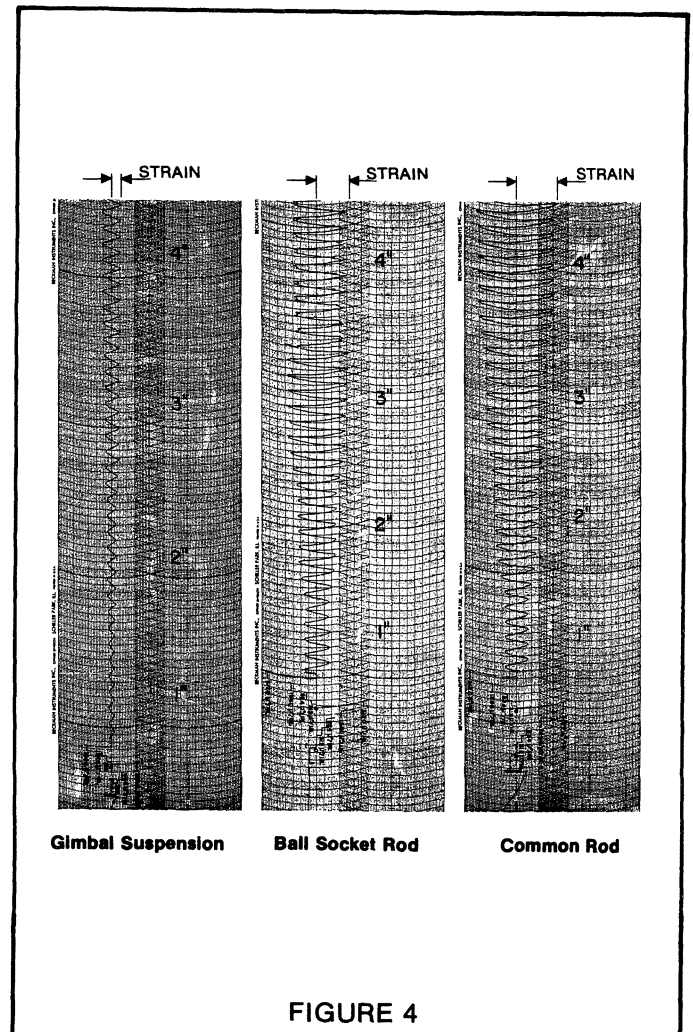


FIGURE 4

High Tensile Steel Gimbal Rods

The rod used in the Louden Gimbal Suspension System is made of AISI 4140 heat treated steel with a minimum ultimate tensile rating of 125,000 psi. The 3/4" and 1-1/8" rods are provided with 6" of Unified National Fine Thread for vertical adjustment. The 1-1/2" rods have continuously rolled threads. Gimbal Rods must only be used with Louden Adjusting Nuts. Capacities were determined by the minor diameter area method allowing a safety factor of 5. A fixed nut, at one end of the rod, is factory assembled and secured by a roll pin. The threads at the other end are protected for shipment.

607.8500G

3/4" diameter Gimbal Rod. Capacity 8,500 lbs. single rod. Capacity 12,750 lbs. when two rods are used in a single hanger assembly.

607.2000G

1-1/8" diameter Gimbal Rod. Capacity 20,000 lbs. single rod. Capacity 30,000 lbs. when two rods are used in a single hanger assembly.

607.34000G

1-1/2" diameter Gimbal Rod. Capacity 34,000 lbs. single rod. Capacity 50,000 lbs. per two rod assembly.

Adjusting Nuts

Special Adjusting Nuts are made of hardened steel and are cadmium plated. The nut is secured after adjustment by a socket set screw with a knurled point.

607.260 (28-1050)

Adjusting Nut for use with 3/4" dia. Gimbal Rod.

607.262 (28-0288)

Adjusting Nut for use with 1-1/8" dia. Gimbal Rod.

607.263 (28-0290)

Adjusting Nut for use with 1-1/2" dia. Gimbal Rod.

Gimbal Washers

The tapered planes on the top surface of the washer are positioned at right angles to the tapered planes on the bottom surface to permit the rod to sway up to 6 in any direction. Protruding guides center the washer in the hole of the hanger fitting. The washer is made of drop forged steel, hardened and then zinc plated.

607.D33 (28-0284)

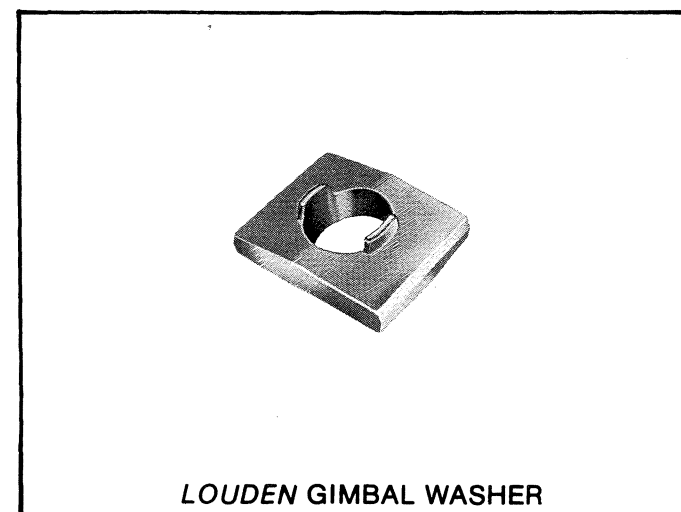
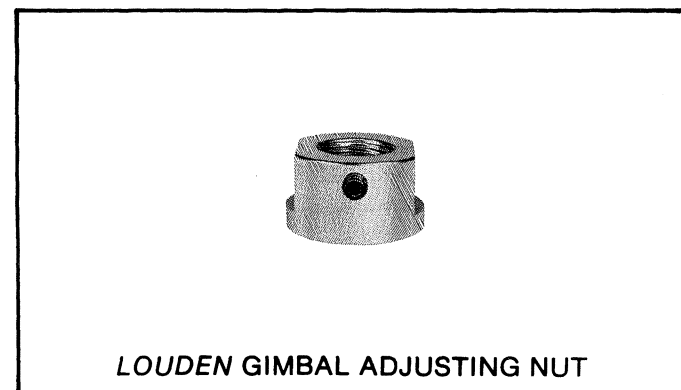
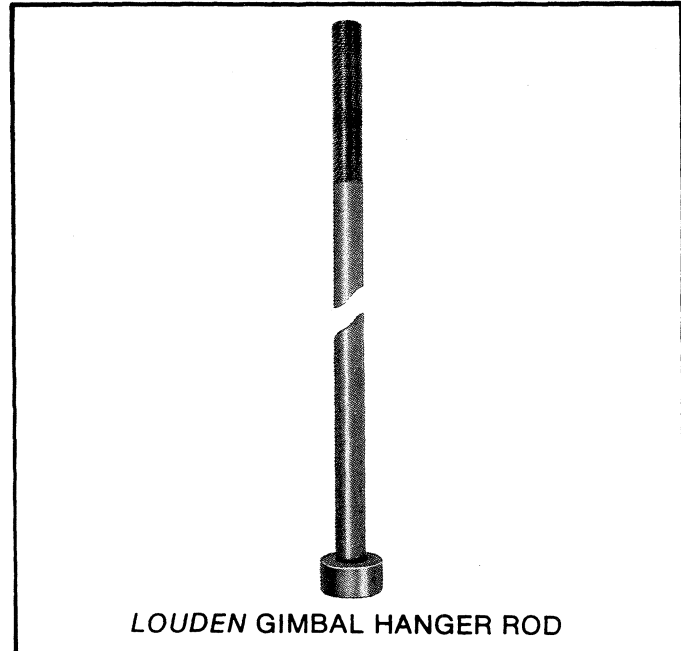
Gimbal Washer for use with 3/4" dia. Gimbal Rod.

607.D34(28-0285)

Gimbal Washer for use with 1-1/8" dia. Gimbal Rod,

607.D35(28-0289)

Gimbal Washer for use with 1-1/2" dia. Gimbal Rod.



LOUDEN®

**MONORAIL AND CRANE
SYSTEM PATENTED TRACK**

**SUPERTRACK™ PATENTED TRACK WITH
2" OPERATING FLANGE**

LOUDEN® 602.6 SUPERTRACK™ PATENTED TRACK

LOUDEN® 2" flange SUPERTRACK™ patented track is the pioneer heavy-duty monorail track section. This track is rolled from special analysis billets to exacting tolerances as specified by Acco Babcock Inc., Material Handling Group. Two inch flange SUPERTRACK™ patented track is ideal for non-electrified monorail and crane systems with loads up to two ton.

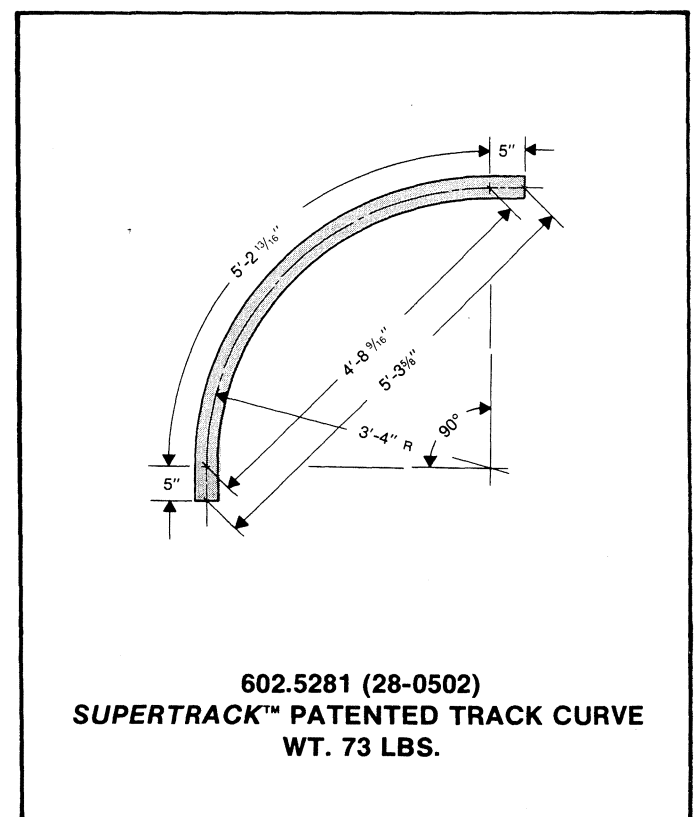
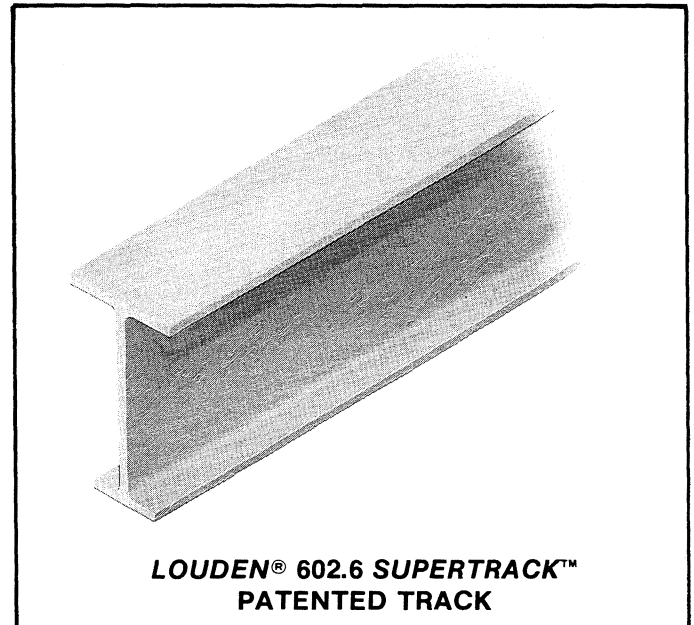
Trolleys for this track are illustrated in Section 402 and switches are illustrated in Section 702. A complete stock of hangers and other fittings is available to make this track easily adapted to even the most complicated systems requiring heavy-duty hand propelled equipment.

LOUDEN® SUPERTRACK™ patented track is tailor-made for your requirements. Every section of straight track is cut to exact length, and all curves are bent at the factory in accordance with layout drawings and specifications. Every piece of track is shipped from the factory ready for installation.

**2" FLANGE SUPERTRACK™ PATENTED TRACK
CURVES**

To do away with costly hand bending on the job and to furnish the customer with a smooth precise curve for best trolley operation, all LOUDEN® SUPERTRACK™ patented track curves are furnished complete and ready for installation.

The standard LOUDEN® SUPERTRACK™ patented track curve has a 3'-4" radius with a 5" straight at each end as shown at the right. Special curves may be ordered. All special SUPERTRACK™ patented track curves require a minimum 12" of straight track at each end for the bending operation, although it is not required on the finished curve. When special curves are desired, contact your nearest Material Handling Group Representative. See Section 700 for standard switch curves.





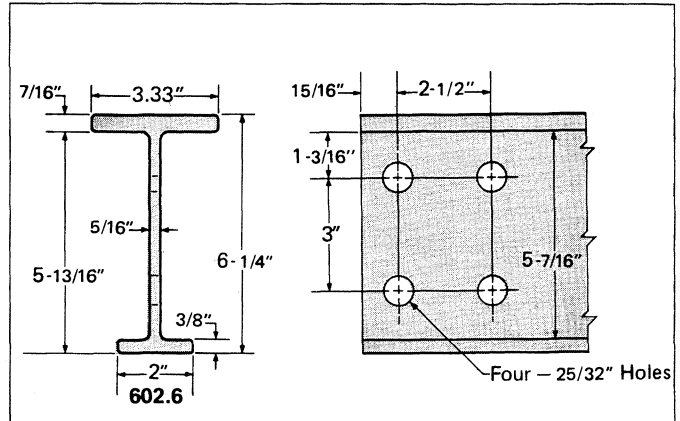
**LOUDEN® MONORAIL AND CRANE PATENTED TRACK
SUPERTRACK™ PATENTED TRACK WITH 2" OPERATING FLANGE**

602-2
Issued 9-7-01

LOUDEN® 602.6 SUPERTRACK™ PATENTED TRACK

Specifications:

Min. Carbon Content.....	.55
Min. Manganese Content.....	.60
Min. Ult. Tensile.....	115,000 psi
Min. Yield Point.....	63,000 psi
Min. Brinnell Hardness.....	225
Top Flange Width.....	3.33"
Bottom Flange Width.....	2.00"
Depth.....	6.25"
Weight per Foot.....	14 lbs
Web Thickness.....	5/16"
Tread Thickness.....	3/8"
Max. Lower Flange Loading.....	750# per wheel 1,500# per 2-wheel trolley



MAXIMUM CENTER LOADS - UNBRACED

Limited By Span/450 Deflection
1.25" Maximum Deflection

LOAD IN LBS.	SPAN IN FEET												
	4	5	6	7	8	9	10	11	12	13	14	15	16
	11673s	9466t	7876t	6738t	5883t	5216t	4681t	3970d	3312d	2798d	2389d	2057d	1783d

Limited By Span/600 Deflection
1.25" Maximum Deflection

LOAD IN LBS.	SPAN IN FEET												
	4	5	6	7	8	9	10	11	12	13	14	15	16
	11673s	9466t	7876t	6738t	5694d	4476d	3602d	2953d	2458d	2070d	1761d	1510d	1303d

NOTES:

- Figures shown are allowable Equivalent Center Loads (ECL's) at the span as if developed by a single two-wheel trolley. Refer to ECL calculations for loads on four, eight and 16 wheel units, in section 1100 (Engineering).
- The ECL's shown are limited by tension of the bottom flange, compression of the top flange, deflection of the beam and shear. These are indicated by the letters t, c, d & s, respectively, in accordance with ANSI MH 27.1 1981.
- The weight of the girder has been considered and need not be deducted in load calculations.
- Maximum permissible Wheel Load on 603 Type SUPERTRACK is 1,500 Lbs. (3,000 Lbs. per 2 Wheel Trolley);



ACCO Material Handling Solutions
76 Acco Drive, Box 792, York, PA 17405-0792
717-741-4863, 800-967-7333, FAX 800-715-8897
E-mail: info@accomhs.com www.accomhs.com

© 2007 FKI Industries Inc.
Printed In USA



602.6 SUPERTRACK™ PATENTED TRACK CURVE

SPECIAL CURVE INFORMATION

Standard tangent length for square cut end is 12". For tangent lengths shorter than 12" see Cutting Charge on price page. 5" minimum tangent length.

Minimum tangent length for an angle cut is 14".

Minimum **Standard** center straight for "S" curves is 12".

Maximum overall length is 20'-0".

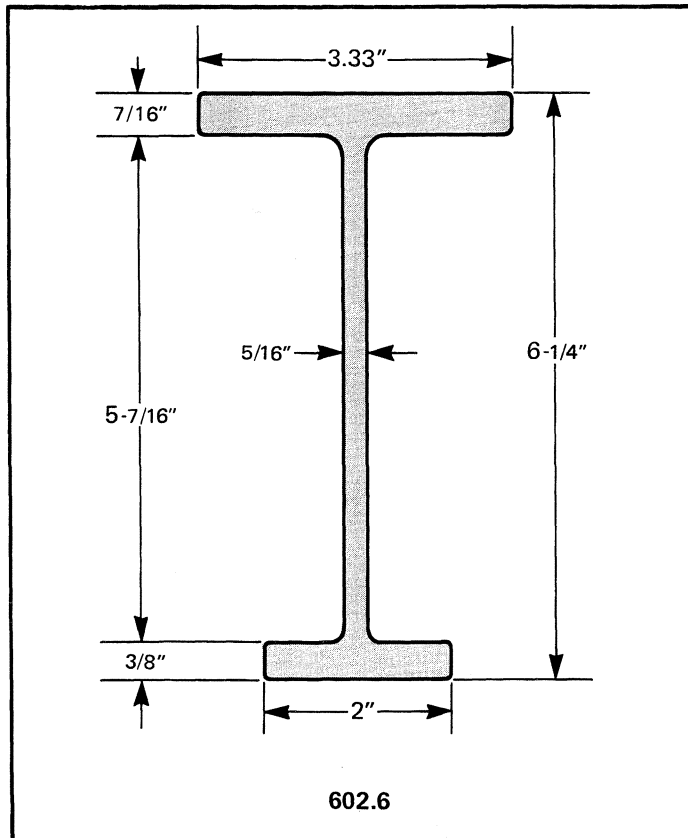
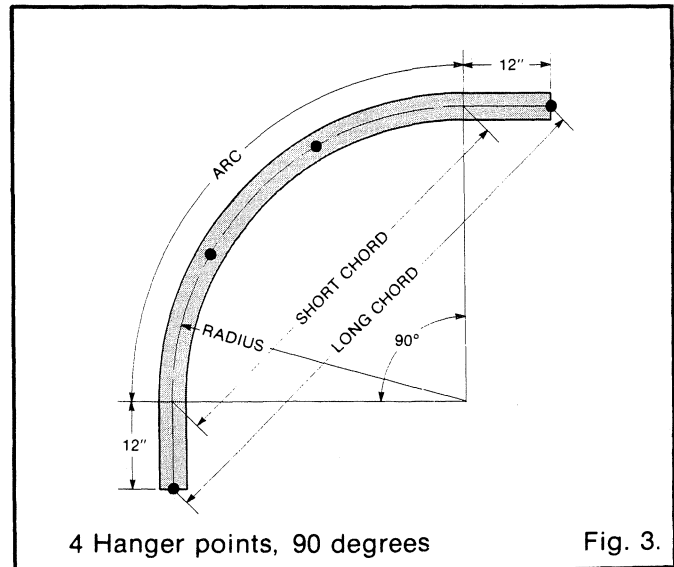
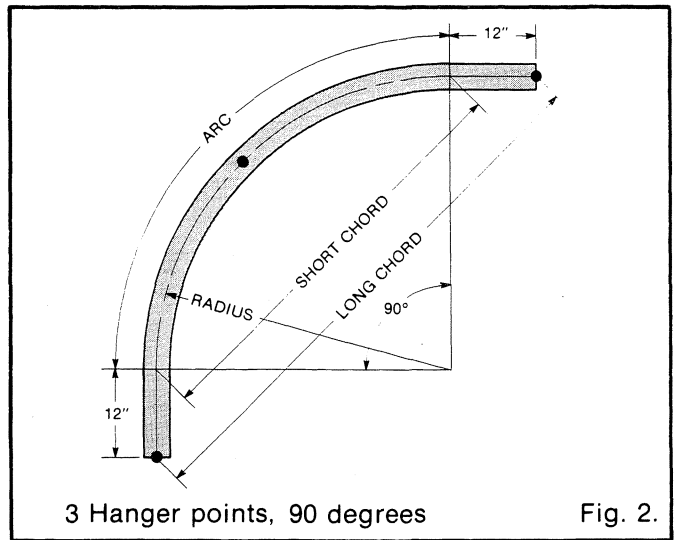
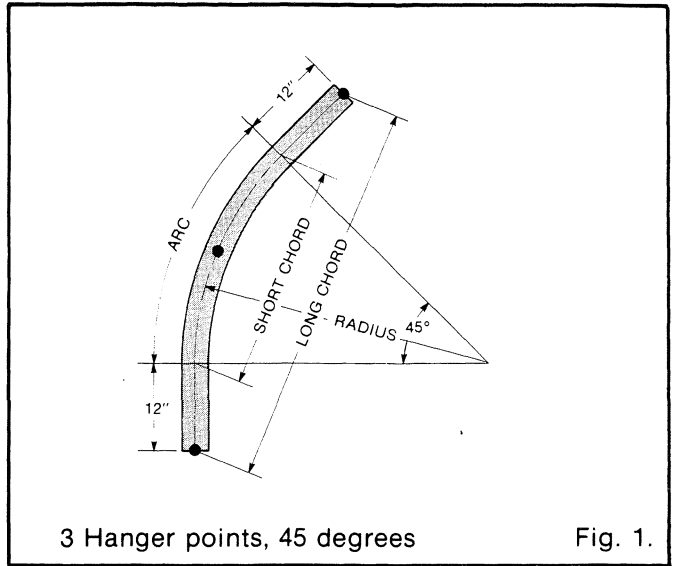
Minimum radius is 1'-6".

Hangers are required within 12" of the tangent points and at the center of the arc for up to 45 degrees and up to a maximum of 10' radius. Add hangers if 10' radius is exceeded. See Fig. 1.

Hangers are required within 12" of the tangent points and at the center of the arc for up to 90 degrees and up to a maximum of 6' radius. Add hangers if 6' radius is exceeded. See Fig. 2.

Hangers are required within 12" of the tangent points and at the 3rd points in the arc for up to 90 degrees and from 6' to 10' radius. Add hangers if 10' radius is exceeded. See Fig. 3.

2" operating flange SuperTrack™ Patented Track is to be used for non-electrified systems **only**.





ACCO Material Handling Solutions
76 Acco Drive, Box 792, York, PA 17405-0792
717-741-4863, 800-967-7333, FAX 800-715-8897
E-mail: info@accomhs.com www.accomhs.com

© 2007 FKI Industries Inc.
Printed In USA

LOUDEN®

**MONORAIL AND CRANE
SYSTEM PATENTED TRACK**

**SUPERTRACK™ PATENTED TRACK WITH
3.33" OPERATING FLANGE**

LOUDEN® 603.6 SUPERTRACK™ PATENTED TRACK

LOUDEN® 3.33" flange SUPERTRACK™ patented track is the pioneer heavy-duty monorail section. This track is rolled from special analysis billets to exacting tolerances as specified by Acco Babcock, Inc., Material Handling Group. It permits the use of wheels having a wide tread and extra large bearings.

This track provides a beam of exceptional strength for all types of motorized carriers. As the area of the track receiving the trolley is flat and the tread of the wheel is also flat, increased wheel and track life is attained. The design of the flange makes it rigid with minimum deflection.

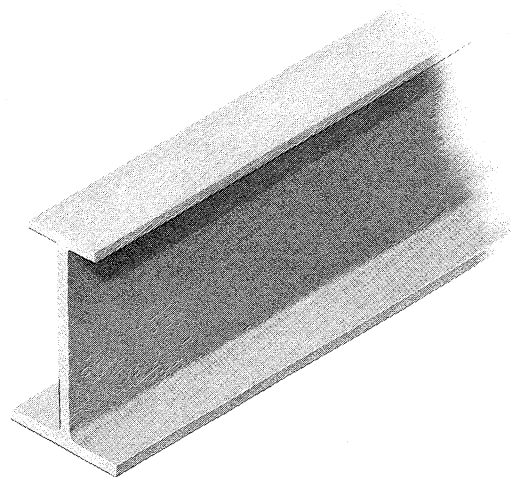
Trolleys for this track are illustrated in Section 403 and switches are illustrated in Section 703. A complete stock of hangers and other fittings is available to make this track easily adapted to the most complicated system.

LOUDEN® SUPERTRACK™ patented track is tailor-made for your requirements. Every section of straight track is cut to exact length, and all curves are bent at the factory in accordance with layout drawings and specifications. Every piece of track is shipped from the factory ready for installation.

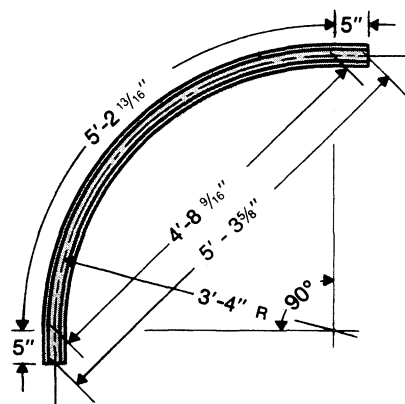
**3.33" FLANGE SUPERTRACK™ PATENTED TRACK
CURVES**

To do away with costly hand bending on the job and to furnish the customer with a smooth precise curve for best trolley operation, all LOUDEN® SUPERTRACK™ patented track curves are furnished complete and ready for installation.

The standard LOUDEN® SUPERTRACK™ patented track curve has a 3'-4" radius with a 5" straight at each end as shown at right. Special curves may be ordered. All special SUPERTRACK™ patented track curves require a minimum 12" of straight track at each end for the bending operation, although it is not required on the finished curve. When special curves are desired, contact your nearest Material Handling Group Representative. See Section 700 for standard switch curves.



**LOUDEN® 603.6 SUPERTRACK™
PATENTED TRACK**



**603.6081 (28-0305)
SUPERTRACK™ PATENTED TRACK CURVE
WT. 73 LBS.**



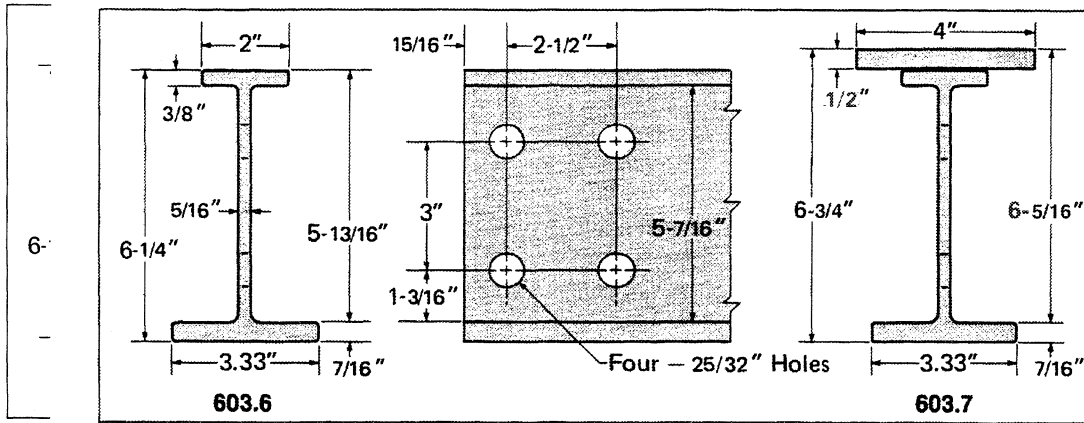
**LOUDEN® MONORAIL AND CRANE SYSTEM PATENTED TRACK
SUPERTRACK™ PATENTED TRACK WITH 3.33" OPERATING FLANGE**

603-2
Issued 9-7-01

Specifications:

Min. Carbon Content..... .55
 Min. Manganese Content..... .60
 Min. Ult. Tensile..... 115,000 psi
 Min. Yield Point..... 63,000 psi
 Min. Brinnell Hardness..... 225
 Top Flange Width..... 2.00"

Bottom Flange Width..... 3.33"
 Depth..... 6.25"
 Weight per Foot..... 14 lbs
 Web Thickness..... 5/16"
 Tread Thickness..... 7/16"
 Max. Lower Flange Loading..... 2,500# per wheel
 5,000# per 2-wheel trolley



MAXIMUM CENTER LOADS - UNBRACED

Limited By Span/450 Deflection
1.25" Maximum Deflection

	SPAN IN FEET																
	4	5	6	7	8	9	10	11	12	13	14	15	16	17	18	19	20
603.6	11399s	9466c	6843c	5010c	3817c	2998c	2409c	1972c	1638c	1377c	1168c	998c	858c				
603.7		12448s	12438s	12174t	10634t	9434t	8471t	7291d	6093d	5157d	4412d	3809d	3313d	2899d	2551d	2254d	1999d

Limited By Span/600 Deflection
1.25" Maximum Deflection

	SPAN IN FEET																
	4	5	6	7	8	9	10	11	12	13	14	15	16	17	18	19	20
603.6	11399s	9466c	6843c	5010c	3817c	2998c	2409c	1972c	1638c	1377c	1168c	998c	858c				
603.7		12448s	12438s	12174t	10433d	8210d	6617d	5434d	4532d	3827d	3266d	2810d	2435d	2122d	1857d	1632d	1437d

NOTES:

- Figures shown are allowable Equivalent Center Loads (ECL's) at the span as if developed by a single two-wheel trolley. Refer to ECL calculations for loads on four, eight and 16 wheel units, in section 1100 (Engineering).
- The ECL's shown are limited by tension of the bottom flange, compression of the top flange, deflection of the beam and shear. These are indicated by the letters t, c, d & s, respectively, in accordance with ANSI MH 27.1 1981.
- The weight of the girder has been considered and need not be deducted in load calculations.
- Maximum permissible Wheel Load on 603 Type SUPERTRACK is 2,500 Lbs. (5,000 Lbs. per 2 Wheel Trolley).



ACCO Material Handling Solutions
 76 Acco Drive, Box 792, York, PA 17405-0792
 717-741-4863, 800-967-7333, FAX 800-715-8897
 E-mail: info@accomhs.com www.accomhs.com

© 2007 FKI Industries Inc.
Printed In USA

603.6 SUPERTRACK™ PATENTED TRACK CURVE

SPECIAL CURVE INFORMATION

Standard tangent length for square cut end is 12". For tangent lengths shorter than 12" see Cutting Charge on price page. 5" minimum tangent length.

Minimum tangent length for an angle cut is 14".

Minimum **Standard** center straight for "S" curves is 12".

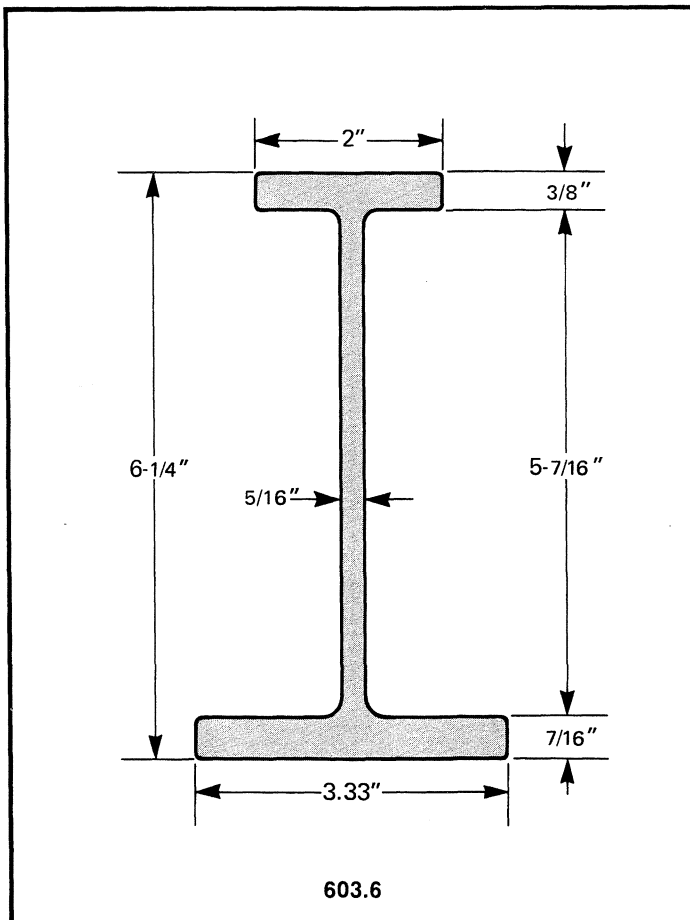
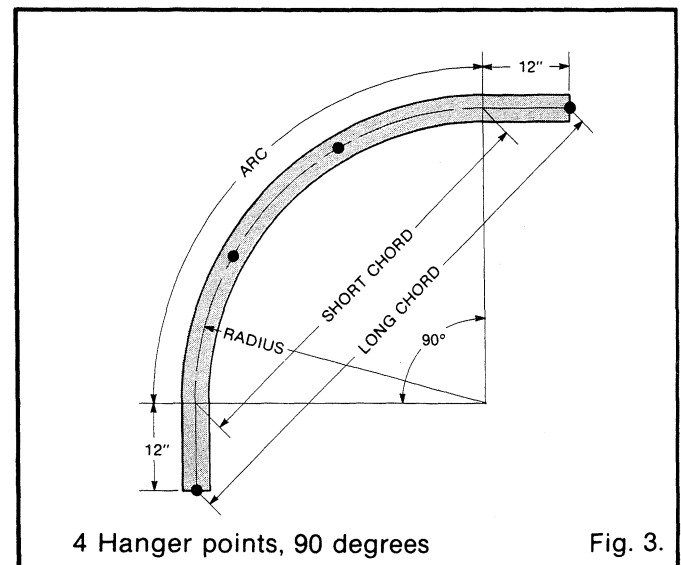
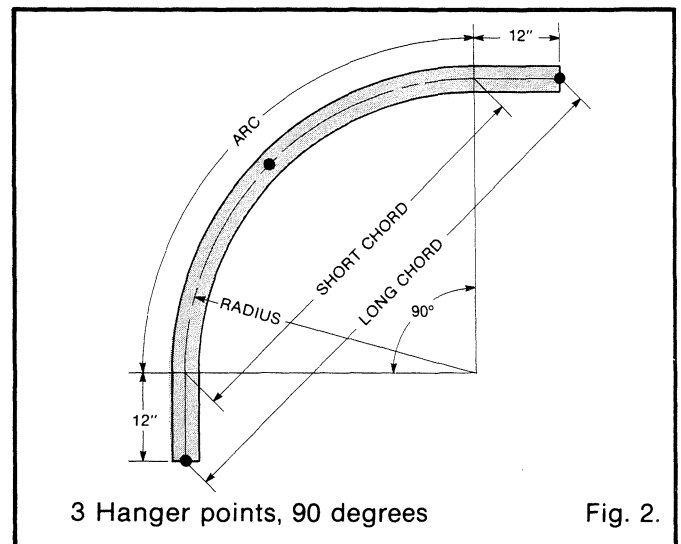
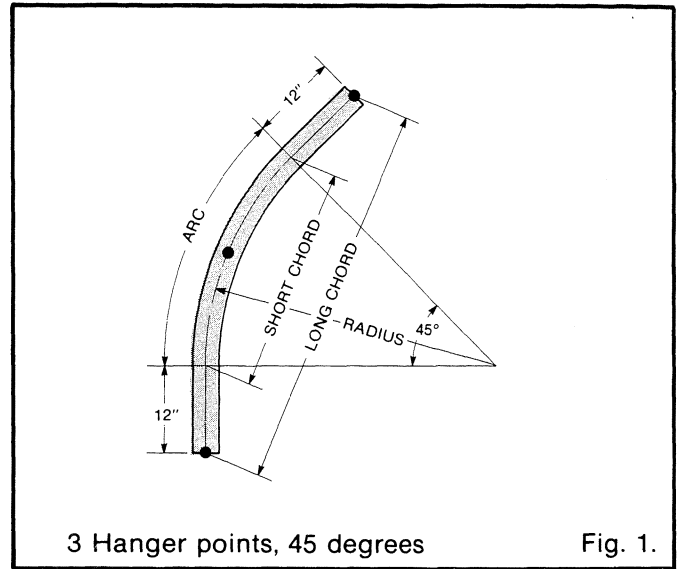
Maximum overall length is 20'-0".

Minimum radius is 1'-6".

Hangers are required within 12" of the tangent points and at the center of the arc for up to 45 degrees and up to a maximum of 10' radius. Add hangers if 10' radius is exceeded. See Fig. 1.

Hangers are required within 12" of the tangent points and at the center of the arc for up to 90 degrees and up to a maximum of 6' radius. Add hangers if 6' radius is exceeded. See Fig. 2.

Hangers are required within 12" of the tangent points and at the 3rd points in the arc for up to 90 degrees and from 6' to 10' radius. Add hangers if 10' radius is exceeded. See Fig. 3.





ACCO Material Handling Solutions

76 Acco Drive, Box 792, York, PA 17405-0792
717-741-4863, 800-967-7333, FAX 800-715-8897
E-mail: info@accomhs.com www.accomhs.com

© 2007 FKI Industries Inc.
Printed In USA

LOUDEN®

**MONORAIL AND CRANE
SYSTEM TRACK**

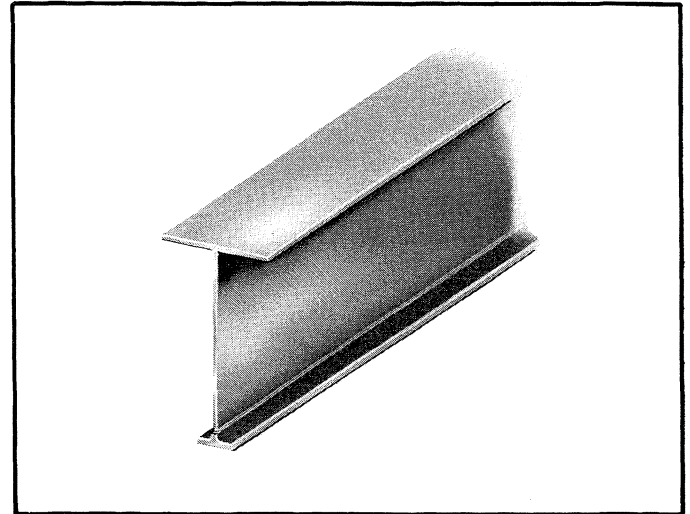
**SUPERTRACK™ GIRDER WITH
3.33" OPERATING FLANGE**

LOUDEN SUPERTRACK™ GIRDER

Louden 3.33" flange SuperTrack is designed to meet most requirements of heavy-duty service at moderate expense. *SuperTrack* Girder is constructed of an operating flange continuously welded to a supporting web and top flange. The operating flange is rolled from special analysis billets to exacting specifications and tolerances.

LOUDEN SuperTrack is used where loads and building bay spans are too great to use standard *SuperTrack*. *SuperTrack* Girder provides a beam of exceptional strength and maximum economy of weight. The beam strength reduces or eliminates the need for intermediate hangers.

Each piece of *LOUDEN SuperTrack* Girder is engineered especially for your requirements, fabricated, and cut to exact length. All holes are in place, all curves are prepared to layout specifications, and all equipment is shipped from the factory ready for erection.



Trolleys for this track are illustrated in Catalog Section 403 and switches are illustrated in Catalog Section 703. A complete line of hangers and other fittings are shown in Catalog Section 607.

FEATURES

Uniform thickness of running tread with published dimensions.

Published chemical content and physical properties of running tread.

Full 7/16" tread thickness.

Flat running tread.

Efficient girder design.

Web and top flange offset.

Fully manufactured at factory.

The **LOUDEN**® Trademark.

BENEFITS

Full metal thickness from fillet to edge of flange provides maximum load carrying capacity. Dimensions are known, with no reduction of metal from fillet to flange.

Assures that long wearing and peen-resistant metalurgy is used which meets or exceeds monorail manufacturer's specifications.

Able to withstand heavy wheel loads providing long wearing track for most crane or monorail systems, yet offering economy of price.

Allows the use of flat tread wheels on which the radius of the wheel is uniform across the width of the running surface or "Footprint". Prevents wheel tread slip, minimizing tread wear and peening.

Web and top flange are computer matched with the high carbon flange, for maximum load carrying capacity with minimum weight.

Allows easy alignment of the running flange of adjacent girders at splices. Provides extra clearance for ease of installation.

All girders are welded, straightened, and all splice holes, hanger holes, as well as electrification holes are in place before painting and shipment, for easier and faster installation.

Being the originators of the underhung monorail and crane industry, the user is assured of the ultimate in design, manufacturing and application expertise when purchasing a system which will most completely satisfy his particular requirements.



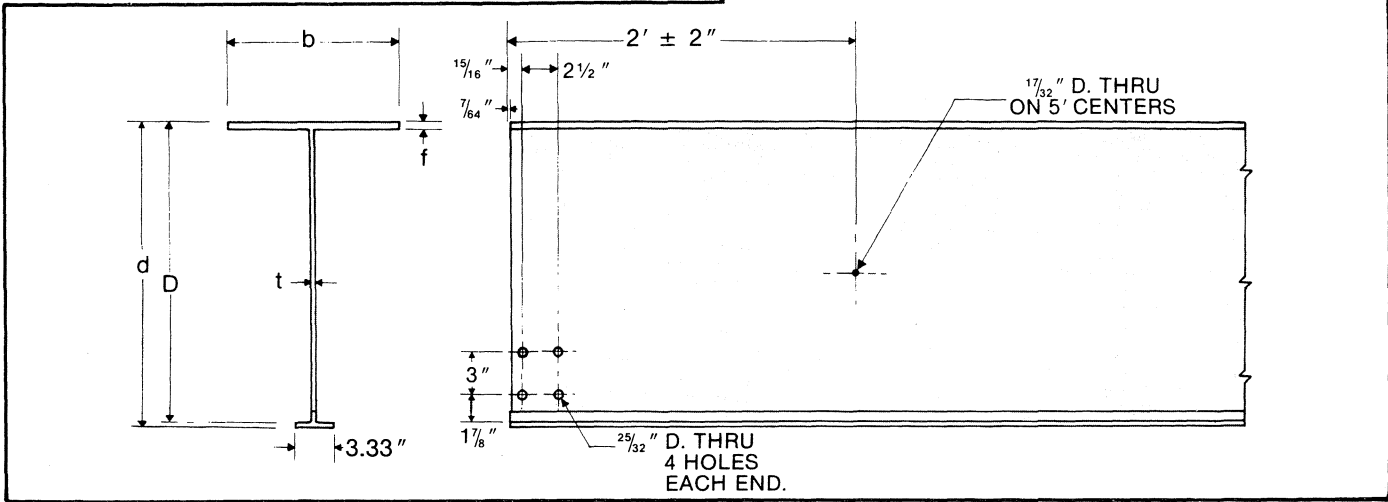
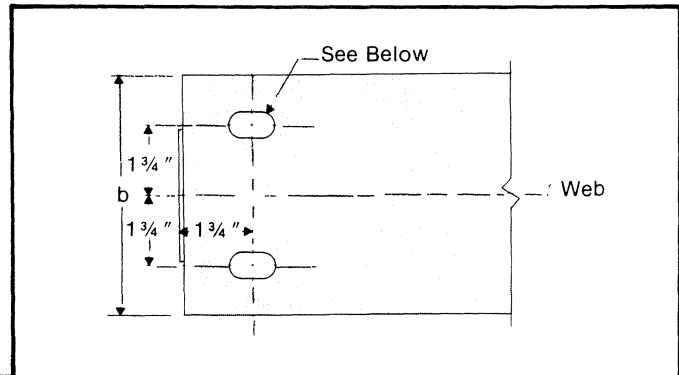
**LOUDEN® MONORAIL AND CRANE SYSTEM TRACK
SUPERTRACK™ GIRDER WITH 3.33" OPERATING FLANGE**

604-2
Issued 9-7-01

LOUDEN SUPERTRACK™ GIRDER

**Operating Flange
Specifications:**

Min. Carbon Content..... .50
 Min. Manganese Content..... 1.00
 Min. Ult. Tensile 115,000 psi
 Min. Yield Point 78,500 psi
 Min. Brinnell Hardness..... 225
 Bottom Flange Width 3.33"
 Tread Thickness 7/16"
 Max. Lower Flange Loading..... 2500# per wheel



Cat. No	604.820	604.924	604.1231	604.1435	604.1538	604.1846	604.2153
Wt./Ft.	20	24	31	35	38	46	53
D	7 9/16	9	12	14	15	18	21
d	8	9 7/16	12 7/16	14 7/16	15 7/16	18 7/16	21 7/16
b	6	6	6	7	8	10	12
f	5/16	7/16	5/8	5/8	5/8	5/8	5/8
t	5/16	5/16	5/16	5/16	5/16	5/16	5/16

Each piece of girder track is furnished with standard splice punching at each end and two slotted holes at each end of the top flange as shown above. Nominal slot length is twice the hole size but does not exceed 2". Hole size must be specified as shown at right.

Maximum permissible Wheel Load on 604 Type SUPERTRACK Girder is 2,500 Lbs. (5,000 Lbs. per 2 Wheel Trolley).

N. A. - Not Available

Top Flange Hole Sizes			
Flange Thickness	Bolt Size		
	5/8	3/4	7/8
5/16	11/16	N.A.	N.A.
7/16	11/16	13/16	N.A.
5/8	11/16	13/16	15/16



ACCO Material Handling Solutions
 76 Acco Drive, Box 792, York, PA 17405-0792
 717-741-4863, 800-967-7333, FAX 800-715-8897
 E-mail: info@accomhs.com www.accomhs.com

© 2007 FKI Industries Inc.
 Printed In USA



**LOUDEN® SUPERTRACK™ GIRDER TRACK EQUIVALENT CENTER
LOADS SPAN/450 - DEFLECTION LIMITED TO 1.25"**

604-3
Issued 9-7-01

SPAN	604.820	604.924	604.1231	604.1435	604.1538	604.1846	604.2153	SPAN
5	15,663 s	18,424 s	23,992 s	27,721 s	29,544 s	34,968 s	36,118 s	5
6	15,653 s	18,412 s	23,977 s	27,703 s	29,525 s	34,945 s	36,092 s	6
7	15,643 s	18,400 s	23,961 s	27,686 s	29,506 s	34,922 s	36,065 s	7
8	13,888 t	17,924 t	23,946 s	27,669 s	29,487 s	34,899 s	36,039 s	8
9	12,326 t	15,910 t	24,039 t	27,651 s	29,468 s	34,877 s	36,012 s	9
10	11,075 t	14,296 t	21,606 t	27,197 t	29,449 s	34,854 s	35,986 s	10
11	10,049 t	12,974 t	19,613 t	24,692 t	27,612 t	34,831 s	35,959 s	11
12	8,538 c	11,870 t	17,949 t	22,601 t	25,274 t	33,623 t	35,933 s	12
13	7,247 c	10,934 t	16,539 t	20,829 t	23,294 t	30,993 t	35,907 s	13
14	6,221 c	10,130 t	15,328 t	19,307 t	21,593 t	28,736 t	35,880 s	14
15	5,391 c	9,356 d	14,277 t	17,986 t	20,117 t	26,776 t	34,258 t	15
16	4,711 c	8,181 d	13,355 t	16,829 t	18,823 t	25,058 t	32,066 t	16
17	4,145 c	7,205 d	12,539 t	15,805 t	17,679 t	23,540 t	30,128 t	17
18	3,669 c	6,385 d	11,813 t	14,893 t	16,659 t	22,188 t	28,403 t	18
19	3,265 c	5,688 d	11,161 t	14,075 t	15,746 t	20,976 t	26,857 t	19
20	2,918 c	5,091 d	10,624 c	13,337 t	14,921 t	19,883 t	25,462 t	20
21	2,618 c	4,575 d	9,593 c	12,668 t	14,174 t	18,892 t	24,198 t	21
22		4,126 d	8,697 c	11,891 c	13,492 t	17,989 t	23,047 t	22
23		3,732 d	7,913 c	10,829 c	12,868 t	17,162 t	21,993 t	23
24		3,385 d	7,223 c	9,895 c	12,295 t	16,403 t	21,025 t	24
25		3,077 d	6,613 c	9,069 c	11,739 c	15,702 t	20,132 t	25
26			6,070 c	8,335 c	10,798 c	15,054 t	19,306 t	26
27			5,585 c	7,679 c	9,958 c	14,452 t	18,539 t	27
28			5,149 c	7,090 c	9,205 c	13,891 t	17,825 t	28
29			4,755 c	6,559 c	8,526 c	13,327 c	17,158 t	29
30			4,399 c	6,078 c	7,912 c	12,387 c	16,534 t	30
31				5,642 c	7,354 c	11,535 c	15,949 t	31
32				5,244 c	6,847 c	10,759 c	15,399 t	32
33				4,880 c	6,383 c	10,051 c	14,505 c	33
34				4,547 c	5,957 c	9,402 c	13,587 c	34
35				4,240 c	5,566 c	8,806 c	12,745 c	35
36					5,206 c	8,258 c	11,970 c	36
37					4,873 c	7,751 c	11,254 c	37
38					4,564 c	7,282 c	10,592 c	38
39					4,278 c	6,847 c	9,979 c	39
40					4,011 c	6,443 c	9,409 c	40
41						6,066 c	8,878 c	41
42						5,714 c	8,383 c	42
43						5,384 c	7,920 c	43
44						5,076 c	7,487 c	44
45						4,786 c	7,080 c	45
46						4,514 c	6,698 c	46
47						4,257 c	6,339 c	47
48						4,015 c	6,000 c	48
49						3,786 c	5,679 c	49
50							5,377 c	50
51							5,090 c	51
52							4,819 c	52
53							4,561 c	53
54							4,316 c	54
55							4,082 c	55
56							3,812 d	56
57							3,486 d	57

NOTES:

- Figures shown are allowable Equivalent Center Loads (ECL's) at the span as if developed by a single two-wheel trolley. Refer to ECL calculations for loads on four, eight and 16 wheel units, in section 1100 (Engineering).
- The ECL's shown are limited by tension of the bottom flange, compression of the top flange, deflection of the beam and shear. These are indicated by the letters t, c, d & s, respectively, in accordance with ANSI MH 27.1 1981.
- The weight of the girder has been considered and need not be deducted in load calculations.
- These figures are for crane runways and monorail track where deflection is limited to 1/450 of the span, with a maximum deflection of 1.25".
- The maximum ratio of span to depth of the girder has been limited to 32 to avoid a spring-like condition not desirable in most installations.
- The maximum ratio of span to top flange width is limited to 60.
- Special girders may be constructed to meet load/depth/span conditions not shown here. Consult the factory for special girders.**



**LOUDEN® SUPERTRACK™ GIRDER TRACK EQUIVALENT CENTER
LOADS SPAN/600 - DEFLECTION LIMITED TO 1.25"**

604-4
Issued 9-7-01

SPAN	604.820	604.924	604.1231	604.1435	604.1538	604.1846	604.2153	SPAN
5	15,663 s	18,424 s	23,992 s	27,721 s	29,544 s	34,968 s	36,118 s	5
6	15,653 s	18,412 s	23,977 s	27,703 s	29,525 s	34,945 s	36,092 s	6
7	15,643 s	18,400 s	23,961 s	27,686 s	29,506 s	34,922 s	36,065 s	7
8	13,888 t	17,924 t	23,946 s	27,669 s	29,487 s	34,899 s	36,039 s	8
9	12,015 d	15,910 t	24,039 t	27,651 s	29,468 s	34,877 s	36,012 s	9
10	8,698 d	14,296 t	21,606 t	27,197 t	29,449 s	34,854 s	35,986 s	10
11	7,981 d	12,974 t	19,613 t	24,692 t	27,612 t	34,831 s	35,959 s	11
12	6,672 d	11,047 d	17,949 t	22,601 t	25,274 t	33,623 t	35,933 s	12
13	5,651 d	9,372 d	16,539 t	20,829 t	23,294 t	30,993 t	35,907 s	13
14	4,838 d	8,039 d	15,328 t	19,307 t	21,593 t	28,736 t	35,880 s	14
15	4,179 d	6,961 d	14,277 t	17,986 t	20,117 t	26,776 t	34,258 t	15
16	3,638 d	6,076 d	13,142 d	16,829 t	18,823 t	25,058 t	32,066 t	16
17	3,188 d	5,341 d	11,587 d	15,805 t	17,679 t	23,540 t	30,128 t	17
18	2,808 d	4,722 d	10,281 d	14,893 t	16,659 t	22,188 t	28,403 t	18
19	2,485 d	4,195 d	9,173 d	13,904 d	15,746 t	20,976 t	26,857 t	19
20	2,208 d	3,744 d	8,224 d	12,486 d	14,921 t	19,883 t	25,462 t	20
21	1,967 d	3,353 d	7,405 d	11,263 d	13,893 d	18,892 t	24,198 t	21
22		3,013 d	6,692 d	10,200 d	12,591 d	17,989 t	23,047 t	22
23		2,714 d	6,068 d	9,270 d	11,452 d	17,162 t	21,993 t	23
24		2,450 d	5,518 d	8,451 d	10,449 d	16,403 t	21,025 t	24
25		2,215 d	5,030 d	7,726 d	9,561 d	15,702 t	20,132 t	25
26			4,596 d	7,080 d	8,771 d	14,707 d	19,306 t	26
27			4,206 d	6,503 d	8,065 d	13,556 d	18,539 t	27
28			3,856 d	5,983 d	7,431 d	12,523 d	17,825 t	28
29			3,539 d	5,515 d	6,858 d	11,592 d	17,158 t	29
30			3,252 d	5,090 d	6,340 d	10,749 d	16,534 t	30
31				4,704 d	5,868 d	9,985 d	15,531 d	31
32				4,351 d	5,438 d	9,288 d	14,479 d	32
33				4,028 d	5,044 d	8,651 d	13,519 d	33
34				3,731 d	4,683 d	8,067 d	12,639 d	34
35				3,458 d	4,350 d	7,530 d	11,831 d	35
36					4,042 d	7,034 d	11,086 d	36
37					3,757 d	6,576 d	10,399 d	37
38					3,493 d	6,152 d	9,762 d	38
39					3,247 d	5,757 d	9,171 d	39
40					3,017 d	5,390 d	8,622 d	40
41						5,047 d	8,110 d	41
42						4,727 d	7,631 d	42
43						4,426 d	7,184 d	43
44						4,144 d	6,764 d	44
45						3,878 d	6,370 d	45
46						3,628 d	5,999 d	46
47						3,392 d	5,650 d	47
48						3,169 d	5,320 d	48
49						2,957 d	5,008 d	49
50							4,712 d	50
51							4,432 d	51
52							4,166 d	52
53							3,913 d	53
54							3,672 d	54
55							3,443 d	55
56							3,223 d	56
57							3,014 d	57

NOTES:

- Figures shown are allowable Equivalent Center Loads (ECL's) at the span as if developed by a single two-wheel trolley. Refer to ECL calculations for loads on four, eight and 16 wheel units, in section 1100 (Engineering).
- The ECL's shown are limited by tension of the bottom flange, compression of the top flange, deflection of the beam and shear. These are indicated by the letters t, c, d & s, respectively, in accordance with ANSI MH 27.1 1981.
- The weight of the girder has been considered and need not be deducted in load calculations.
- These figures are for crane runways and monorail track where deflection is limited to 1/600 of the span, with a maximum deflection of 1.25".
- The maximum ratio of span to depth of the girder has been limited to 32 to avoid a spring-like condition not desirable in most installations.
- The maximum ratio of span to top flange width is limited to 60.
- Special girders may be constructed to meet load/depth/span conditions not shown here. Consult the factory for special girders.**



ACCO Material Handling Solutions
76 Acco Drive, Box 792, York, PA 17405-0792
717-741-4863, 800-967-7333, FAX 800-715-8897
E-mail: info@accomhs.com www.accomhs.com

© 2007 FKI Industries Inc.
Printed In USA



604.924, 604.1231, 604.14*, 604.15*
SUPERTRACK GIRDER TRACK CURVES FOR USE WITH TROLLEYS WITH UP TO 2,500 LB. WHEEL LOAD.

SPECIAL CURVE INFORMATION

Standard tangent length for square cut end is 12". For tangent lengths shorter than 12" see Cutting Charge on price page. 5" minimum tangent length.

Minimum tangent length for an angle cut is 14".

Minimum center straight for "S" curve is 12".

Maximum overall length is 20'-0".

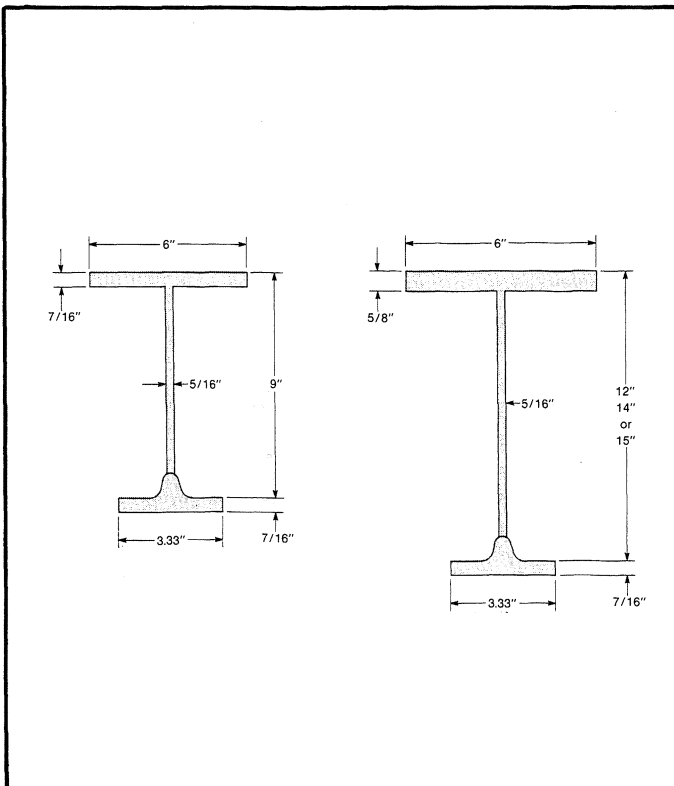
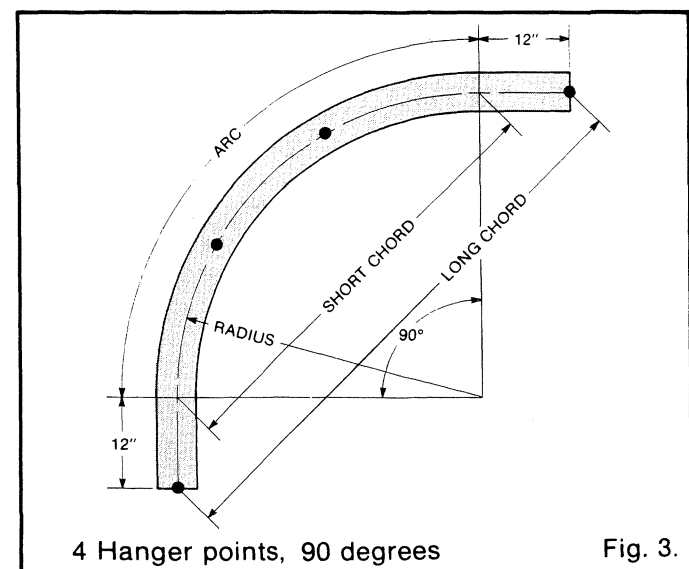
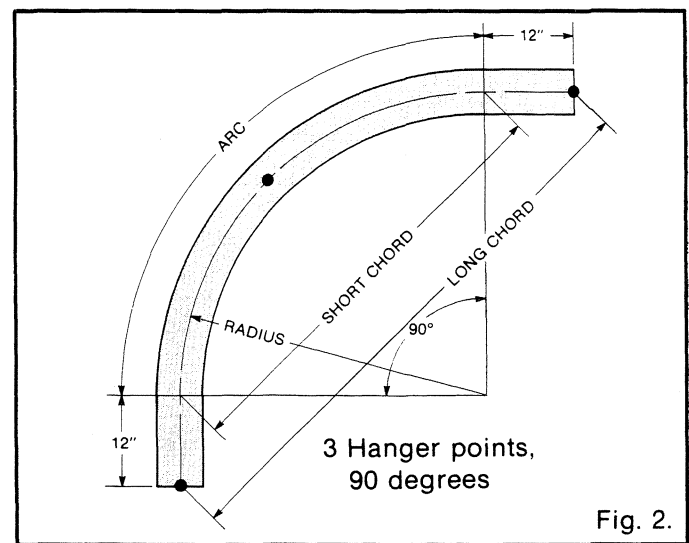
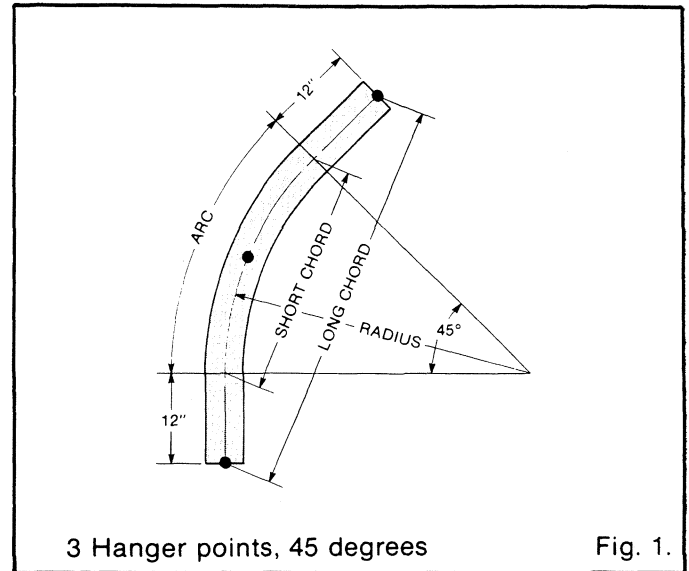
Minimum radius is 3'-0".

Hangers are required within 12" of the tangent points and at the center of the arc for up to 45 degrees and up to a maximum of 10' radius. Add hangers if 10' radius is exceeded. See Fig. 1.

Hangers are required within 12" of the tangent points and at the center of the arc for up to 90 degrees and up to a maximum of 6' radius. Add hangers if 6' radius is exceeded. See Fig. 2.

Hangers are required within 12" of the tangent points and at the 3rd points in the arc for up to 90 degrees and from 6' to 10' radius. Add hangers if 10' radius is exceeded. See Fig. 3.

*Note: 604 series Special Curves have a 6" top flange.





ACCO Material Handling Solutions
76 Acco Drive, Box 792, York, PA 17405-0792
717-741-4863, 800-967-7333, FAX 800-715-8897
E-mail: info@accomhs.com www.accomhs.com

© 2007 FKI Industries Inc.
Printed In USA

LOUDEN®

**MONORAIL AND CRANE
SYSTEM TRACK**

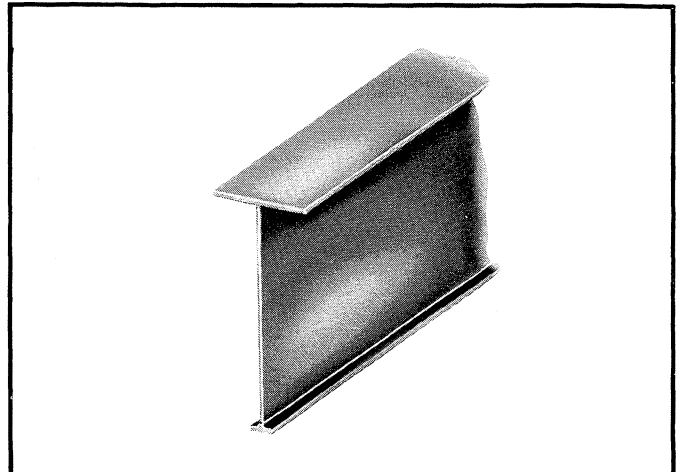
**TROJANTRACK™ GIRDER WITH
3.33" OPERATING FLANGE**

LOUDEN TROJANTRACK™ GIRDER

Louden 3.33" flange TrojanTrack has the strongest track flange of any of our specially rolled monorail track sections. The operating flange design and metalurgy offer a track capable of sustaining large wheel loads under rugged heavy-duty service, while minimizing peening and wear.

Never used by itself as a track, the *TrojanTrack* section is used as the operating flange of continuously welded girders. The girder web and top flange are fabricated from steel plate continuously welded to form the girder track section. These girders are of sufficient depth to permit the use of large diameter wheels to move extremely heavy loads under punishing requirements with dependable performance and durability.

Each piece of *Louden TrojanTrack Girder* is fabricated, and cut to exact length. All holes are in place, all curves are prepared to layout specifications, and all equipment is shipped from the factory ready for erection.



Louden TrojanTrack Girders are designed for maximum economy of weight with maximum structural value as a load carrying member.

Trolleys for this track are illustrated in Catalog Section 403T and switches are illustrated in Catalog Section 703T. A complete line of hangers and other fittings is shown in Catalog Section 607.

FEATURES	BENEFITS
Uniform thickness of running tread with published dimensions.	Full metal thickness from fillet to edge of flange provides maximum load carrying capacity. Dimensions are known, with no reduction of metal from fillet to flange.
Published chemical content and physical properties of running tread.	Assures that long wearing and peen-resistant metalurgy is used which meets or exceeds monorail manufacturer's specifications.
Full 13/16" tread thickness.	Able to withstand extremely heavy wheel loads and the punishment of the most severe duty systems.
Flat running tread.	Allows the use of flat tread wheels on which the radius of the wheel is uniform across the width of the running surface or "Footprint". Prevents wheel tread slip, minimizing tread wear and peening.
Efficient girder design.	Web and top flange are computer matched with the high carbon flange, for maximum load carrying capacity with minimum weight.
Web and top flange offset.	Allows easy alignment of the running flange of adjacent girders at splices. Provides extra clearance for ease of installation.
Fully manufactured at factory.	All girders are welded, straightened, and all splice holes, hanger holes, as well as electrification holes are in place before painting and shipment, for easier and faster installation.
The LOUDEN® Trademark.	Being the originators of the underhung monorail and crane industry, the user is assured of the ultimate in design, manufacturing and application expertise when purchasing a system which will most completely satisfy his particular requirements.



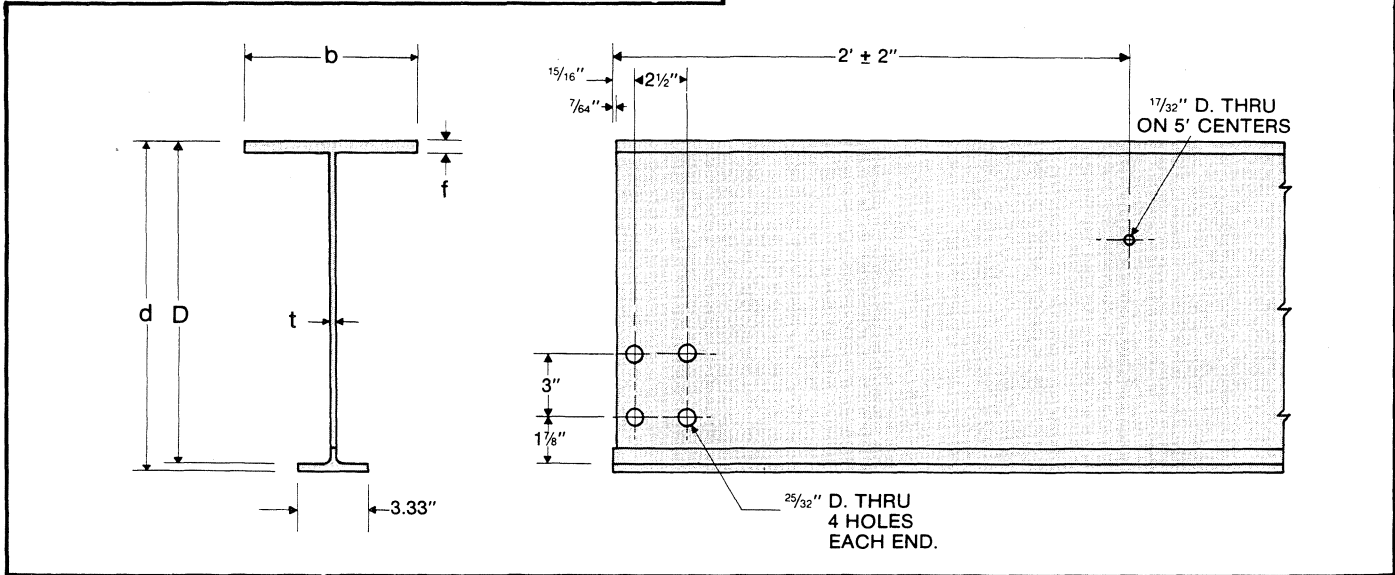
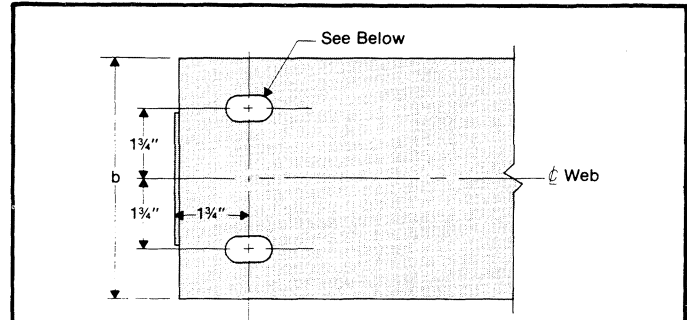
**LOUDEN® MONORAIL AND CRANE SYSTEM TRACK
TROJANTRACK™ GIRDER WITH 3.33" OPERATING FLANGE**

605-2
Issued 9-7-01

LOUDEN TROJANTRACK™ GIRDER

Operating Flange Specifications:

Min. Carbon Content50
Min. Manganese Content	1.00
Min. Ult. Tensile	115,000 psi
Min. Yield Point	78,500 psi
Min. Brinnell Hardness	225
Bottom Flange Width	3.33"
Tread Thickness	13/16"



Cat. No.	605.1235	605.1543	605.1850	605.2166	605.2474	605.2785	605.3089	605.3292
Wt./Ft.	35 lbs.	43 lbs.	50 lbs.	66 lbs.	74 lbs.	85 lbs.	89 lbs.	92 lbs.
D	12"	15"	18"	21"	24"	27"	30"	32"
d	12-13/16"	15-13/16"	18-13/16"	21-13/16"	24-13/16"	27-13/16"	30-13/16"	32-13/16"
b	6"	8"	10"	12"	14"	14"	14"	14"
f	5/8"	5/8"	5/8"	5/8"	5/8"	3/4"	3/4"	3/4"
t	5/16"	5/16"	5/16"	7/16"	7/16"	7/16"	7/16"	7/16"

Each piece of girder track is furnished with standard splice punching at each end and two slotted holes at each end of the top flange as shown above. Nominal slot length is twice the hole size but does not exceed 2". Hole size must be specified as shown at right.

Maximum permissible Wheel Load on 605 type TrojanTrack and 605 Type Super TrojanTrack

605 TrojanTrack - 3,750# per Wheel - 7,500# per 2-Wheel Trolley
605 Super TrojanTrack - 5,000# per Wheel - 10,000# per 2-Wheel Trolley

*Super TrojanTrack requires 3/4" minimum Top Flange, 7/16" web plate splices must be welded

N.A. - Not Available

		Top Flange Hole Sizes				
		Bolt Size				
Flange Thickness		5/8"	3/4"	7/8"	1"	1 1/8"
	5/8"		1 1/16"	1 3/16"	1 5/16"	N.A.
3/4"		N.A.	1 3/16"	1 5/16"	1 1/16"	1 3/16"



ACCO Material Handling Solutions
76 Acco Drive, Box 792, York, PA 17405-0792
717-741-4863, 800-967-7333, FAX 800-715-8897
E-mail: info@accomhs.com www.accomhs.com



**LOUDEN® TROJANTRACK™ GIRDER TRACK EQUIVALENT CENTER
LOADS SPAN/450 - DEFLECTION LIMITED TO 1.25"**

605-3
Issued 9-7-01

SPAN	605.1235	605.1543	605.1850	605.2166	605.2474	605.2785	605.3089	605.3292	SPAN
10	25057 s	30950 s	36686 s	57748 s	65304 s	72584 s	71773 s	76238 s	10
11	25040 s	30929 s	36661 s	57716 s	65267 s	72542 s	71728 s	76192 s	11
12	25023 s	30908 s	36636 s	57683 s	65230 s	72500 s	71684 s	76146 s	12
13	23305 t	30887 s	36611 s	57412 t	65193 s	72458 s	71639 s	76100 s	13
14	21607 t	29689 t	36586 s	53248 t	65156 s	72416 s	71595 s	76054 s	14
15	20133 t	27669 t	36009 t	49635 t	61365 t	72374 s	71551 s	76008 s	15
16	17877 c	25899 t	33710 t	46469 t	57457 t	69649 t	71506 s	75963 s	16
17	15786 c	24334 t	31679 t	43672 t	54006 t	65470 t	71462 s	75917 s	17
18	14032 c	22942 t	29871 t	41183 t	50933 t	61751 t	71418 s	75871 s	18
19	12544 c	21693 t	28250 t	38951 t	48181 t	58419 t	68428 t	75446 t	19
20	11271 c	19885 c	26789 t	36940 t	45699 t	55416 t	64920 t	71585 t	20
21	10174 c	17976 c	25465 t	35117 t	43451 t	52695 t	61742 t	68086 t	21
22	9220 c	16318 c	24259 t	33457 t	41403 t	50217 t	58849 t	64902 t	22
23	8386 c	14870 c	23084 c	31939 t	39531 t	47951 t	56203 t	61990 t	23
24	7652 c	13596 c	21129 c	30544 t	37811 t	45871 t	53775 t	59318 t	24
25	7002 c	12469 c	19401 c	28610 c	36226 t	43953 t	51537 t	56105 c	25
26	6423 c	11467 c	17866 c	26358 c	34060 t	42180 t	49468 t	51740 c	26
27	5906 c	10573 c	16495 c	24347 c	32947 c	40535 t	47176 c	47846 c	27
28	5441 c	9770 c	15266 c	22544 c	30528 c	39005 t	43738 c	44357 c	28
29	5022 c	9047 c	14159 c	20922 c	28352 c	37577 t	40645 c	41217 c	29
30	4643 c	8392 c	13159 c	19455 c	26386 c	36242 t	37852 c	38382 c	30
31		7799 c	12252 c	18125 c	24603 c	34567 c	35320 c	35813 c	31
32		7257 c	11426 c	16915 c	22982 c	32317 c	33018 c	33476 c	32
33		6763 c	10672 c	15810 c	21502 c	30266 c	30918 c	31345 c	33
34		6309 c	9981 c	14799 c	20148 c	28389 c	28997 c	29394 c	34
35		5893 c	9347 c	13870 c	18905 c	26667 c	27234 c	27605 c	35
36		5508 c	8762 c	13015 c	17762 c	25083 c	25613 c	25959 c	36
37		5153 c	8222 c	12225 c	16706 c	23623 c	24118 c	24441 c	37
38		4824 c	7723 c	11495 c	15730 c	22273 c	22735 c	23037 c	38
39		4518 c	7259 c	10817 c	14826 c	21022 c	21455 c	21737 c	39
40		4233 c	6828 c	10188 c	13985 c	19861 c	20265 c	20530 c	40
41			6427 c	9601 c	13203 c	18780 c	19159 c	19406 c	41
42			6052 c	9054 c	12473 c	17773 c	18128 c	18359 c	42
43			5701 c	8542 c	11791 c	16833 c	17164 c	17380 c	43
44			5372 c	8062 c	11153 c	15953 c	16263 c	16465 c	44
45			5063 c	7612 c	10554 c	15128 c	15418 c	15607 c	45
46			4773 c	7189 c	9992 c	14354 c	14625 c	14801 c	46
47			4499 c	6790 c	9462 c	13625 c	13879 c	14043 c	47
48			4240 c	6414 c	8963 c	12940 c	13176 c	13329 c	48
49			3996 c	6059 c	8492 c	12293 c	12513 c	12656 c	49
50			3765 c	5723 c	8047 c	11683 c	11887 c	12020 c	50
51				5404 c	7626 c	11105 c	11295 c	11418 c	51
52				5102 c	7226 c	10558 c	10734 c	10849 c	52
53				4815 c	6847 c	10039 c	10203 c	10308 c	53
54				4542 c	6487 c	9547 c	9698 c	9795 c	54
55				4283 c	6144 c	9079 c	9217 c	9307 c	55
56				4035 c	5817 c	8633 c	8760 c	8842 c	56
57				3798 c	5506 c	8209 c	8325 c	8400 c	57
58				3572 c	5208 c	7804 c	7910 c	7977 c	58
59					4924 c	7417 c	7513 c	7574 c	59
60					4652 c	7048 c	7134 c	7188 c	60
61					4392 c	6694 c	6771 c	6819 c	61
62					4142 c	6356 c	6423 c	6466 c	62
63					3902 c	6031 c	6090 c	6127 c	63
64					3672 c	5720 c	5770 c	5801 c	64
65					3450 c	5420 c	5463 c	5489 c	65
66					3237 c	5133 c	5167 c	5188 c	66
67						4856 c	4883 c	4899 c	67
68						4590 c	4609 c	4620 c	68
69						4333 c	4346 c	4352 c	69
70						4086 c	4091 c	4093 c	70

NOTES:

- Figures shown are allowable Equivalent Center Loads (ECL's) at the span as if developed by a single two-wheel trolley. Refer to ECL calculations for loads on four, eight and 16 wheel units, in section 1100 (Engineering).
- The ECL's shown are limited by tension of the bottom flange, compression of the top flange, deflection of the beam and shear. These are indicated by the letters t, c, d & s, respectively, in accordance with ANSI MH 27.1 1981.
- The weight of the girder has been considered and need not be deducted in load calculations.
- These figures are for crane runways and monorail track where deflection is limited to 1/450 of the span, with a maximum deflection of 1.25".
- The maximum ratio of span to depth of the girder has been limited to 32 to avoid a spring-like condition not desirable in most installations.
- The maximum ratio of span to top flange width is limited to 60.
- Special girders may be constructed to meet load/depth/span conditions not shown here. Consult the factory for special girders.



LOUDEN® TROJANTRACK™ GIRDER TRACK EQUIVALENT CENTER LOADS SPAN/600 - DEFLECTION LIMITED TO 1.25"

605-4
Issued 9-7-01

SPAN	605.1235	605.1543	605.1850	605.2166	605.2474	605.2785	605.3089	605.3292	SPAN
10	25057 s	30950 s	36686 s	57748 s	65304 s	72584 s	71773 s	76238 s	10
11	25040 s	30929 s	36661 s	57716 s	65267 s	72542 s	71728 s	76192 s	11
12	25023 s	30908 s	36636 s	57683 s	65230 s	72500 s	71684 s	76146 s	12
13	23305 t	30887 s	36611 s	57412 t	65193 s	72458 s	71639 s	76100 s	13
14	21607 t	29689 t	36586 s	53248 t	65156 s	72416 s	71595 s	76054 s	14
15	19589 d	27669 t	36009 t	49635 t	61365 t	72374 s	71551 s	76008 s	15
16	17156 d	25899 t	33710 t	46469 t	57457 t	69649 t	71506 s	75963 s	16
17	15136 d	24334 t	31679 t	43672 t	54006 t	65470 t	71462 s	75917 s	17
18	13439 d	22942 t	29871 t	41183 t	50933 t	61751 t	71418 s	75871 s	18
19	12000 d	21693 t	28250 t	38951 t	48181 t	58419 t	68428 t	75446 t	19
20	10768 d	19856 d	26789 t	36940 t	45699 t	55416 t	64920 t	71585 t	20
21	9705 d	17934 d	25465 t	35117 t	43451 t	52695 t	61742 t	68086 t	21
22	8780 d	16265 d	24259 t	33457 t	41403 t	50217 t	58849 t	64902 t	22
23	7971 d	14806 d	23084 c	31939 t	39531 t	47951 t	56203 t	61990 t	23
24	7258 d	13522 d	21129 c	30544 t	37811 t	45871 t	53775 t	59318 t	24
25	6626 d	12386 d	19401 c	28610 c	36226 t	43953 t	51537 t	56105 c	25
26	6064 d	11375 d	17866 c	26358 c	34760 t	42180 t	49468 t	51740 c	26
27	5560 d	10472 d	16495 c	24347 c	32947 c	40535 t	47176 c	47846 c	27
28	5107 d	9661 d	15266 c	22544 c	30528 c	39005 t	43738 c	44357 c	28
29	4698 d	8930 d	14159 c	20922 c	28352 c	37577 t	40645 c	41217 c	29
30	4327 d	8268 d	13159 c	19455 c	26386 c	36242 t	37852 c	38382 c	30
31		7667 d	12252 c	18125 c	24603 c	34567 c	35320 c	35813 c	31
32		7118 d	11426 c	16915 c	22982 c	32317 c	33018 c	33476 c	32
33		6617 d	10672 c	15810 c	21502 c	30266 c	30918 c	31345 c	33
34		6157 d	9981 c	14799 c	20148 c	28389 c	28997 c	29394 c	34
35		5733 d	9347 c	13870 c	18905 c	26667 c	27234 c	27605 c	35
36		5342 d	8762 c	13015 c	17762 c	25083 c	25613 c	25959 c	36
37		4980 d	8222 c	12225 c	16706 c	23623 c	24118 c	24441 c	37
38		4644 d	7723 c	11495 c	15730 c	22273 c	22735 c	23037 c	38
39		4332 d	7259 c	10817 c	14826 c	21022 c	21455 c	21737 c	39
40		4041 d	6828 c	10188 c	13985 c	19861 c	20265 c	20530 c	40
41			6427 c	9601 c	13203 c	18780 c	19159 c	19406 c	41
42			6052 c	9054 c	12473 c	17773 c	18128 c	18359 c	42
43			5701 c	8542 c	11791 c	16833 c	17164 c	17380 c	43
44			5372 c	8062 c	11153 c	15953 c	16263 c	16465 c	44
45			5063 c	7612 c	10554 c	15128 c	15418 c	15607 c	45
46			4773 c	7189 c	9992 c	14354 c	14625 c	14801 c	46
47			4499 c	6790 c	9462 c	13625 c	13879 c	14043 c	47
48			4240 c	6414 c	8963 c	12940 c	13176 c	13329 c	48
49			3993 d	6059 c	8492 c	12293 c	12513 c	12656 c	49
50			3743 d	5723 c	8047 c	11683 c	11887 c	12020 c	50
51				5404 c	7626 c	11105 c	11295 c	11418 c	51
52				5102 c	7226 c	10558 c	10734 c	10849 c	52
53				4815 c	6847 c	10039 c	10203 c	10308 c	53
54				4542 c	6487 c	9547 c	9698 c	9795 c	54
55				4283 c	6144 c	9079 c	9217 c	9307 c	55
56				4035 c	5817 c	8633 c	8760 c	8842 c	56
57				3798 c	5506 c	8209 c	8325 c	8400 c	57
58				3572 c	5208 c	7804 c	7910 c	7977 c	58
59					4924 c	7417 c	7513 c	7574 c	59
60					4652 c	7048 c	7134 c	7188 c	60
61					4392 c	6694 c	6771 c	6819 c	61
62					4142 c	6356 c	6423 c	6466 c	62
63					3902 c	6031 c	6090 c	6127 c	63
64					3672 c	5720 c	5770 c	5801 c	64
65					3450 c	5420 c	5463 c	5489 c	65
66					3237 c	5133 c	5167 c	5188 c	66
67						4856 c	4883 c	4899 c	67
68						4590 c	4609 c	4620 c	68
69						4333 c	4346 c	4352 c	69
70						4086 c	4091 c	4093 c	70

NOTES:

- Figures shown are allowable Equivalent Center Loads (ECL's) at the span as if developed by a single two-wheel trolley. Refer to ECL calculations for loads on four, eight and 16 wheel units, in section 1100 (Engineering).
- The ECL's shown are limited by tension of the bottom flange, compression of the top flange, deflection of the beam and shear. These are indicated by the letters t, c, d & s, respectively, in accordance with ANSI MH 27.1 1981.
- The weight of the girder has been considered and need not be deducted in load calculations.
- These figures are for crane runways and monorail track where deflection is limited to 1/600 of the span, with a maximum deflection of 1.25".
- The maximum ratio of span to depth of the girder has been limited to 32 to avoid a spring-like condition not desirable in most installations.
- The maximum ratio of span to top flange width is limited to 60.
- Special girders may be constructed to meet load/depth/span conditions not shown here. Consult the factory for special girders.**



ACCO Material Handling Solutions
76 Acco Drive, Box 792, York, PA 17405-0792
717-741-4863, 800-967-7333, FAX 800-715-8897
E-mail: info@accomhs.com www.accomhs.com

© 2007 FKI Industries Inc.
Printed In USA



605.1235, 605.15* TROJANTRACK™
GIRDER TRACK CURVES FOR USE WITH UP TO
15,000 LB. CAP. 4-WHEEL TROLLEY

SPECIAL CURVE INFORMATION

Standard tangent length for square cut end is 12". For tangent lengths shorter than 12" see Cutting Charge on price page. 5" minimum tangent length.

Minimum tangent length for an angle cut is 14".

Minimum center straight for "S" curve is 12".

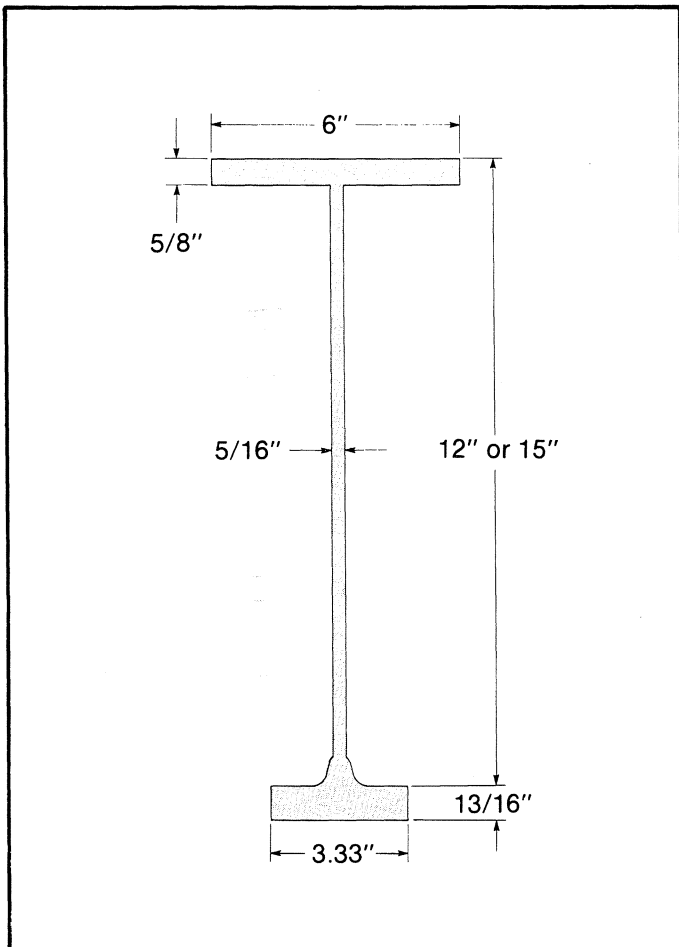
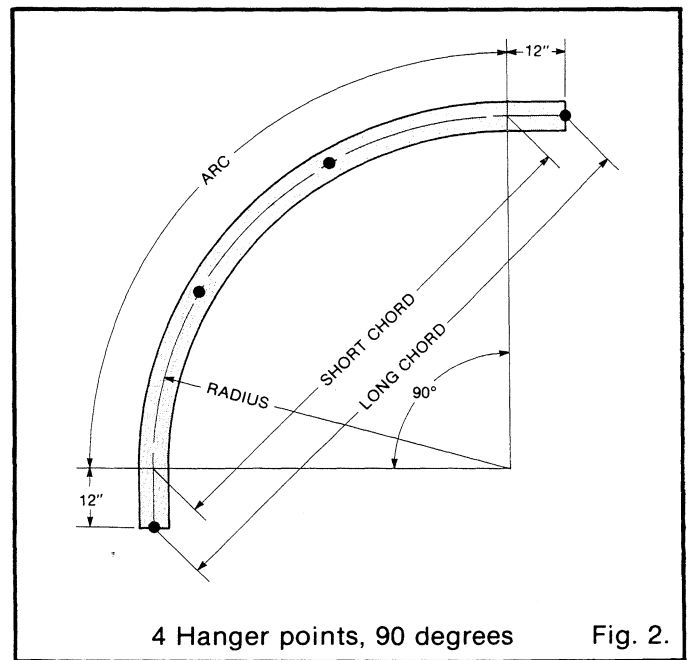
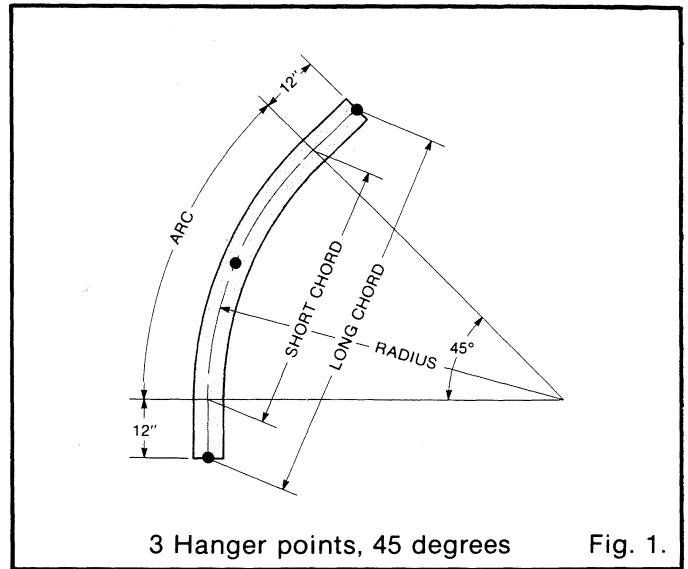
Maximum overall length is 20'-0".

Minimum radius is 5'-0".

Hangers are required within 12" of the tangent points and at the center of the arc for up to 45 degrees and up to a maximum of 10' radius. Add hangers if 10' radius is exceeded. See Fig. 1.

Hangers are required within 12" of the tangent points and at the 3rd points in the arc for up to 90 degrees and from 6' to 10' radius. Add hangers if 10' radius is exceeded. See Fig. 2.

*Note: All 605 series Special Curves have a 6" top flange.





ACCO Material Handling Solutions
76 Acco Drive, Box 792, York, PA 17405-0792
717-741-4863, 800-967-7333, FAX 800-715-8897
E-mail: info@accomhs.com www.accomhs.com

© 2007 FKI Industries Inc.
Printed In USA

LOUDEN®
MONORAIL AND CRANE
SYSTEM TRACK
TRACK
SUSPENSION ASSEMBLIES

Splice Assemblies

Designed to hold two lengths of *Louden* track in alignment by clamping to the track web, all *Louden* track splice assemblies are furnished complete with two splice plates, eight 3/4" dia. shoulder machine screws and shoulder nuts, and the required number of shims, as needed. Although the track splice assemblies are not load bearing members, they help assure proper alignment of the operating tread of two adjoining lengths of *Louden* track.

607.5011 (40-1051)
Wt. 5 lbs.

Used to connect tracks with like web thickness up to 5/16".

607.5012 (40-1052)
Wt. 5 lbs.

Used to connect 7/16" web track to 7/16" web track.

607.5016 (40-1060)
Wt. 5 lbs.

Used to connect 1/4" web track to 5/16" web track.

607.5013 (40-1063)
Wt. 5 lbs.

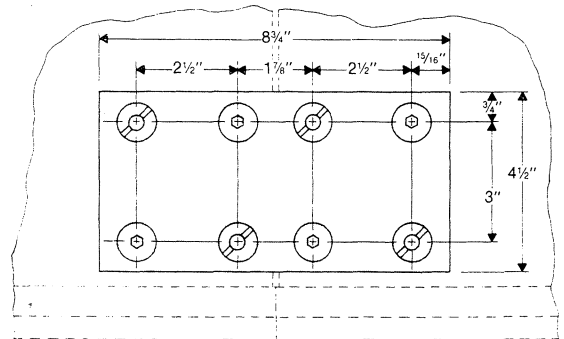
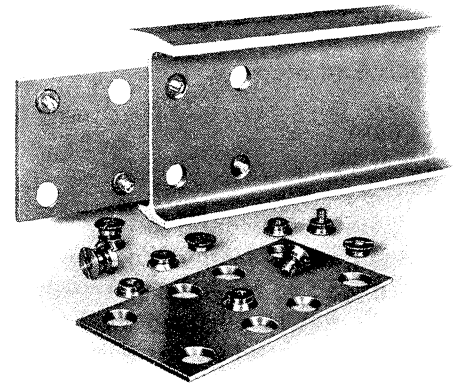
Used to connect 5/16" web track to 7/16" web track.

607.5014 (40-1061)
Wt. 5 lbs.

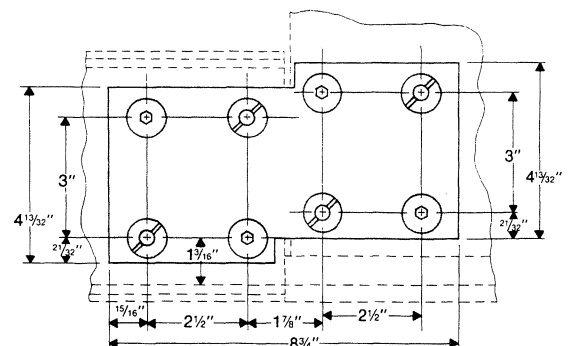
Used to connect 1/4" web 604 Series SuperTrack Girder to SuperTrack Girder furnished prior to March 1, 1978 and to SuperTrack.

607.5015 (40-1062)
Wt. 5 lbs.

Used to connect 5/16" web 604 Series SuperTrack Girder to SuperTrack Girder furnished prior to March 1, 1978 and to SuperTrack.



607.5011, 607.5012, 607.5013, 607.5016



607.5014, 607.5015



LOUDEN® MONORAIL AND CRANE SYSTEM TRACK TRACK SUSPENSION ASSEMBLIES

Issued 9-07-01

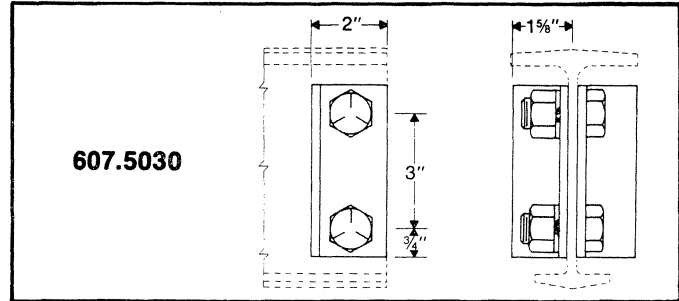
607-2

End Stops

607.5030 (28-0236)

Wt. 3-1/2 lbs.

This wheel stop, made of two heavy steel angles, is clamped through standard splice holes in the track web by two 3/4" x 2" Grade 5 hex head cap screws, nuts, and lock washers. It may be located either mid-span or at the rail end. Wheel stops are not recommended where loadbar stops can be used.

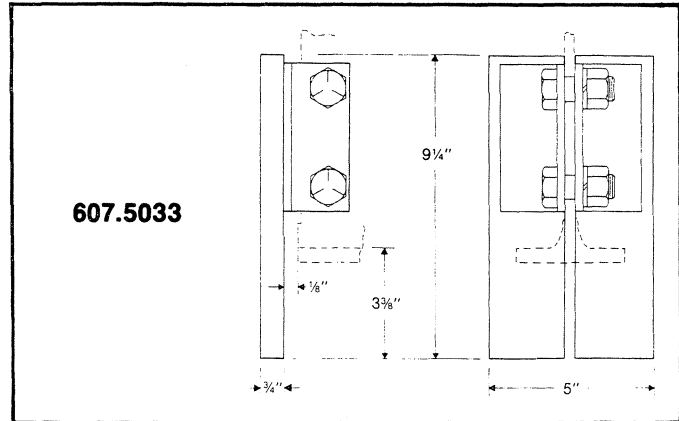


Close Approach End Stop

607.5033 (28-0689)

Wt. 8-5/8 lbs.

This loadbar stop is designed to help provide stop protection at the track ends of all Louden systems by clamping to the web of the track through standard splice holes. It is not to be used as a wheel stop. Fabricated from heavy steel angles and 3/4" steel bar stock, the two halves of the stop are furnished with two 3/4" x 2" Grade 5 hex head cap screws, nuts, and lock washers. Use only when bumper protrudes past wheel tread by at least 1-3/4".

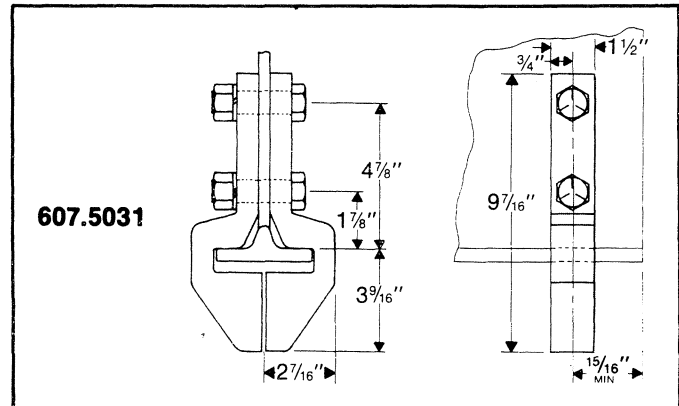


Universal Stop

607.5031 (28-0691)

Wt. 12-1/2 lbs.

The heavy-duty universal loadbar stop clamps to 604 and 605 Girder track with two 3/4" x 2-3/4" Grade 5 hex head cap screws, nuts, and lock washers. It may be located in standard splice holes or can be located in mid-span during system erection.

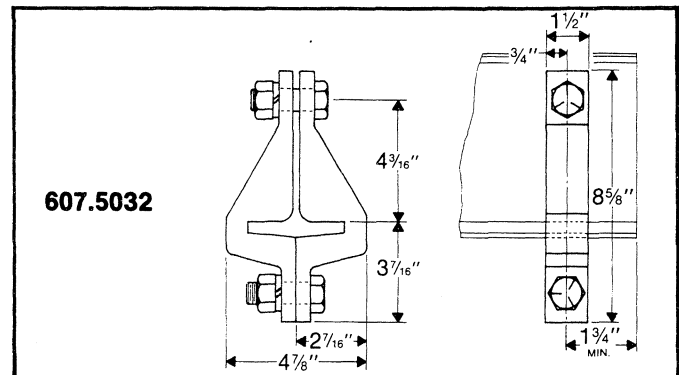


Intermediate Stop

607.5032 (28-0659)

Wt. 8-1/2 lbs.

This loadbar/wheel stop clamps to 603.6 SuperTrack with 7/8" x 2-1/2" and 3/4" x 2-1/4" Grade 5 hex head cap screws, nuts, and lock washers. It is normally used in mid-span but may be used as an end stop if the stop centerline is a minimum 1-3/4" from the end of the rail. Located during system erection, this stop requires one 15/16" diameter hole in the web of the track. Layouts must show exact location.



ACCO Material Handling Solutions
76 Acco Drive, Box 792, York, PA 17405-0792
717-741-4863, 800-967-7333, FAX 800-715-8897
E-mail: info@accomhs.com www.accomhs.com

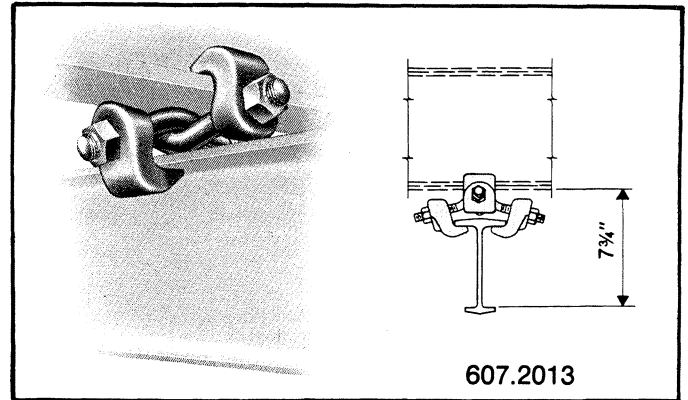
© 2007 FKI Industries Inc.
Printed In USA



Right Angle Hangers

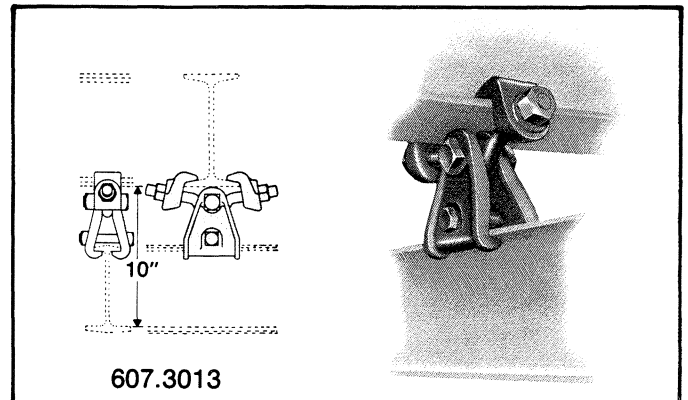
607.2013 (30-1073)
Wt. 8 lbs. 4000 lb. cap.

Intended to suspend non-electrified 602.6 *SuperTrack™* patented track at right angles to superstructure beams having flanges 2" to 4-5/8" wide, the four certified malleable iron clamping lugs are held in place by two specially shaped 3/4" bolts.



607.3013 (30-1075)
Wt. 9 lbs. 4000 lb. cap.

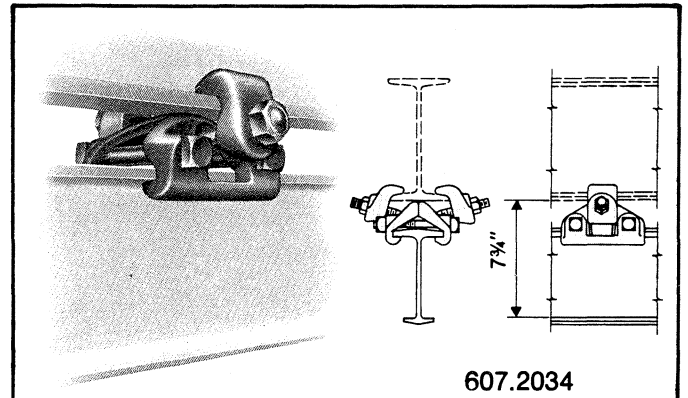
Intended to suspend 603.6 *SuperTrack™* patented track at right angles to superstructure beams having flanges 2" to 6-1/4" wide, the four certified malleable iron clamping lugs are held in place by a specifically shaped 3/4" bolt, a 3/4" Grade 5 hex head cap screw, a 5/8" Grade 5 hex head cap screw, and the required nuts and lock washers.



Parallel Hangers

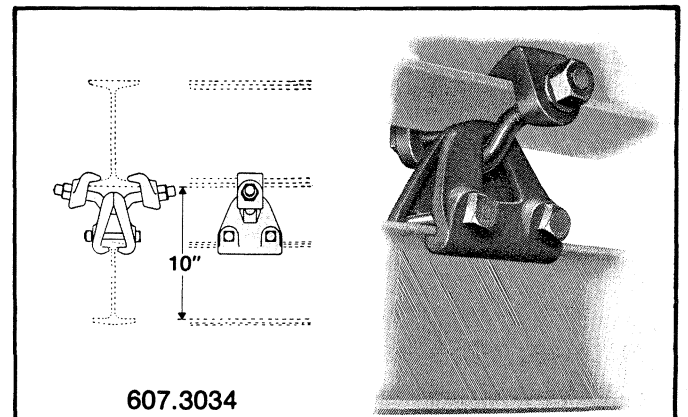
607.2034 (30-1072)
Wt. 9.5 lbs. 4000 lb. cap.

This close headroom type hanger is designed to suspend 602.6 *SuperTrack™* patented track parallel to superstructure beams having flanges 3" to 4-5/8" wide. The four certified malleable iron clamping lugs are held in place by a specially shaped 3/4" bolt and two 5/8" Grade 5 hex head cap screws, nuts and lock washers. This hanger is to be used on non-electrified track systems only.



607.3034 (30-1074)
Wt. 10 lbs. 4000 lb. cap.

This close headroom type hanger is designed to suspend 603.6 *SuperTrack™* patented track parallel to superstructure beams having flanges 3" to 6-1/4" wide. The four certified malleable iron clamping lugs are held in place by a specially shaped 3/4" bolt and two 5/8" Grade 5 hex head cap screws, nuts and lock washers.





Adjustable Beam Clamps

Adjustable beam clamps eliminate the need to drill holes in the building steel by rigidly clamping to the superstructure beam flange. The clamping and holding action of the clamps is achieved with 1/2" dia. hex head cap screws. Slotted sides permit easy access to the Gimbal Rod Adjusting Nut. The fitting is equipped with a built-in hardened bearing washer.

607.254 (28-0145)
Wt. 14 lbs. 8500 lb. cap.

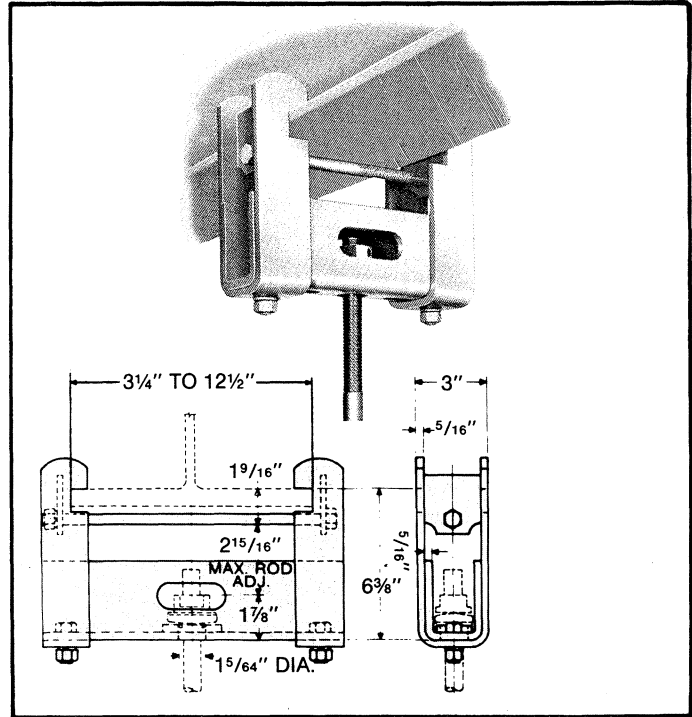
For use with 3/4" dia. Gimbal Rods. Fits beams with flange width 3-1/4" to 7". (Not for use as lower fitting)

607.255 (28-0146)
Wt. 17 lbs. 8500 lb. cap.

For 3/4" dia. Gimbal Rods. Fits beams with flange width 7" to 10". (Not for use as lower fitting)

607.257 (28-0147)
Wt. 18 lbs. 8500 lb. cap.

For 3/4" dia. Gimbal Rods. Fits beams with flange width 10" to 12-1/2". (Not for use as lower fitting)



Beam Cleats

Used to connect Gimbal Rod assemblies to the bottom flange of superstructure beams, these fittings are made from special bar quality steel. They are furnished complete with built-in hardened bearing washer, and mounting bolts. (Not for use as lower fitting)

607.258 (40-1057)
Wt. 3 lbs. 8500 lb. cap.

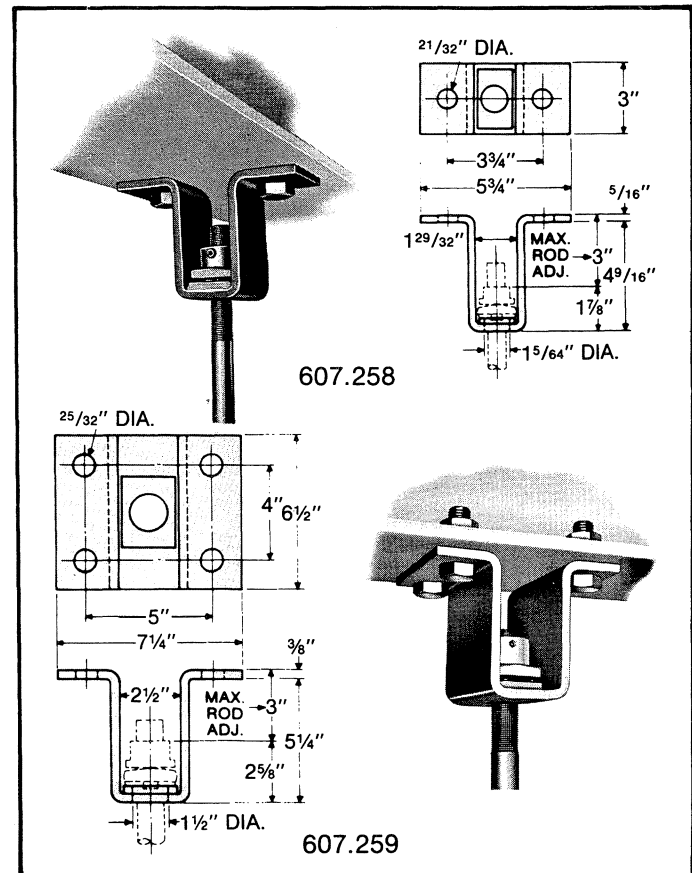
For use with 3/4" dia. Gimbal Rods. Includes two 5/8" x 2-1/2" Grade 5 hex cap screws, nuts and lock washers. (Not for use as lower fitting)

607.259 (40-0158)
Wt. 4 lbs. 20000 lb. cap.

For use with 1-1/8" dia. Gimbal Rods. Includes four 3/4" x 2-1/2" Grade 5 hex head cap screws, nuts and lock washers. (Not for use as lower fitting)

607.264 (40-0158)
Wt. 28 lbs. 34000 lb. cap.

For use with 1-1/2" diameter Gimbal Rods. Includes four 7/8" x 9" A325 hex head bolts, nuts, and lock washers.





Louden Gimbal Rod Assemblies

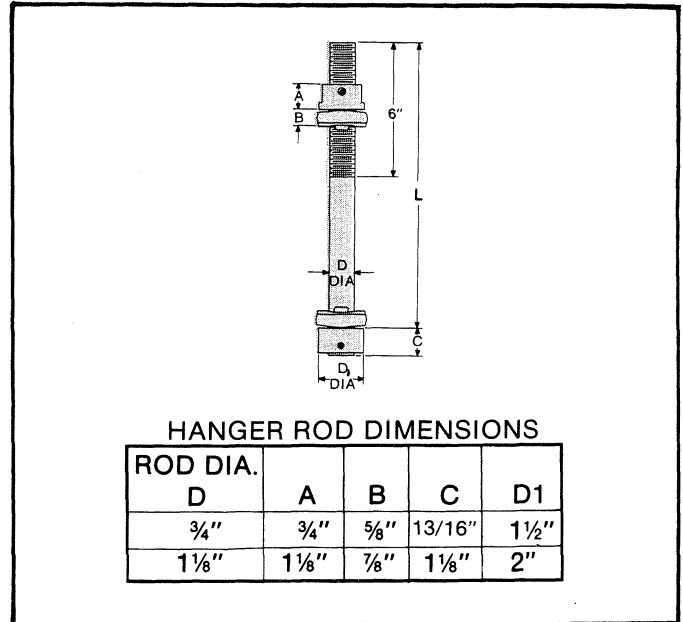
Louden Gimbal Rod hanger assemblies are available in 3/4" dia., 1-1/8" dia., and 1-1/2" dia. Each Gimbal Rod assembly includes:

- One hanger rod with fixed nut
- Two Gimbal Washers
- One Adjustable Nut with Set Screw

Louden 3/4" Gimbal Rod assemblies are available in 4" to 60" lengths, in two inch increments. Rods from 61" to 239" long may special ordered.

Louden 1-1/8" Gimbal Rod assemblies are available in 6" to 60", in two inch increments. Rods for 61" to 239" long may be special ordered.

Louden 1-1/2" Gimbal Rod assemblies are available in lengths ranging from 12" to 72", in six inch increments.



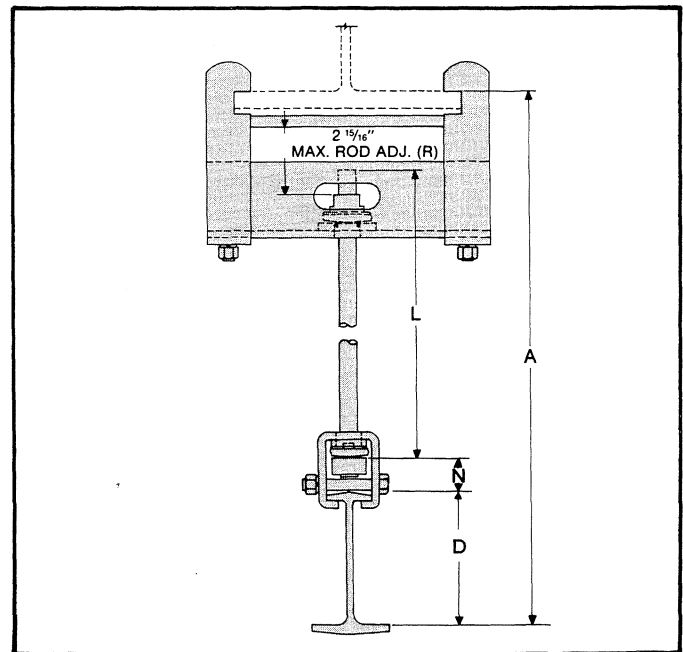
Gimbal Rod Lengths

Gimbal Rod lengths are measured from the top of the lower fixed nut to the end of the rod (dimension "L" in the drawing). The length of the rod "L" is normally determined as "A" (operating tread to top of bottom flange of supporting steel minus "D" (depth of track) minus "N" (height from the top of the track to the top of the fixed nut) minus 2 3/4".

$$L = A - D - N - 2\frac{3}{4}"$$

Hardened Bearing Washers

Hardened Bearing Washers must be used when Louden Gimbal Rods are suspended directly through holes in the building steel, superstructure, or special upper fittings. The washer is placed between the upper Gimbal Washer and the supporting steel. The hardened bearing washer must be tack welded in place to assure proper Gimbal action of the Gimbal Rod.



607.4452 (26-0503)

Wt. 1/4 lb.

Bearing Washer for use with 3/4" dia. Gimbal Rods.

607.4453 (26-0504)

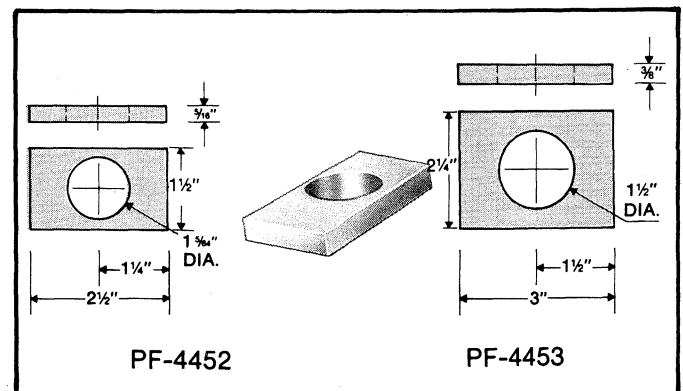
Wt. 1/2 lb.

Bearing Washer for use with 1-1/8" dia. Gimbal Rods.

607.4454 (26-0502)

Wt. 1-3/4 lb.

Bearing Washer for use with 1-1/2" dia. Gimbal Rods.





**LOUDEN® MONORAIL AND CRANE SYSTEM TRACK
TRACK SUSPENSION ASSEMBLIES**

607-6
Issued 9-7-01

**3/4" Dia. Gimbal Rods
607.8500G 8500 lb. cap.**

**1-1/8" Dia. Gimbal Rods
607.20000G 20000 lb. cap.**

LENGTH	CAT. NO.	PART NO.	WT. LBS.
4"	607.8504G	40-1070	1.7
6"	607.8506G	40-1071	2.0
8"	607.8508G	40-1072	2.2
10"	607.8510G	40-1073	2.5
12"	607.8512G	40-1074	2.7
14"	607.8514G	40-1075	3.0
16"	607.8516G	40-1076	3.2
18"	607.8518G	40-1077	3.5
20"	607.8520G	40-1078	3.7
22"	607.8522G	40-1079	4.0
24"	607.8524G	40-1080	4.2
26"	607.8526G	40-1081	4.5
28"	607.8528G	40-1082	4.7
30"	607.8530G	40-1083	5.0
32"	607.8532G	40-1084	5.2
34"	607.8534G	40-1085	5.5
36"	607.8536G	40-1086	5.7
38"	607.8538G	40-1087	6.0
40"	607.8540G	40-1088	6.2
42"	607.8542G	40-1089	6.5
44"	607.8544G	40-1090	6.7
46"	607.8546G	40-1091	7.0
48"	607.8548G	40-1092	7.2
50"	607.8550G	40-1093	7.5
52"	607.8552G	40-1094	7.7
54"	607.8554G	40-1095	8.0
56"	607.8556G	40-1096	8.2
58"	607.8558G	40-1097	8.5
60"	607.8560G	40-1098	8.7



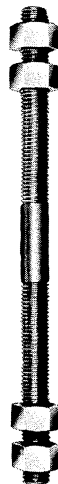
LENGTH	CAT. NO.	PART NO.	WT. LBS.
6"	607.20006G	40-1099	4.8
8"	607.20008G	40-1100	5.3
10"	607.20010G	40-1101	5.9
12"	607.20012G	40-1102	6.4
14"	607.20014G	40-1103	7.0
16"	607.20016G	40-1104	7.6
18"	607.20018G	40-1105	8.1
20"	607.20020G	40-1106	8.7
22"	607.20022G	40-1107	9.2
24"	607.20024G	40-1108	9.8
26"	607.20026G	40-1109	10.4
28"	607.20028G	40-1110	10.9
30"	607.20030G	40-1111	11.5
32"	607.20032G	40-1112	12.0
34"	607.20034G	40-1113	12.6
36"	607.20036G	40-1114	13.1
38"	607.20038G	40-1115	13.7
40"	607.20040G	40-1116	14.3
42"	607.20042G	40-1117	14.8
44"	607.20044G	40-1118	15.4
46"	607.20046G	40-1119	16.0
48"	607.20048G	40-1120	16.5
50"	607.20050G	40-1121	17.1
52"	607.20052G	40-1122	17.6
54"	607.20054G	40-1123	18.2
56"	607.20056G	40-1124	18.8
58"	607.20058G	40-1125	19.3
60"	607.20060G	40-1126	19.9

Louden superstructure rods are made of special analysis high tensile steel and are furnished in 3/4" dia. (7500 lb. cap.) and 1-1/8" dia. (17000 lb. cap.). Each rod has 6" of U.N.C. thread at both ends and comes complete with four hex nuts. Standard lengths are available in 3" increments from 6" to 60". Longer rods up to 240" are available on special order. These rods are to be used for rigidly supporting superstructure and switches only and are not to be subject to bending.

**3/4" Dia. Superstructure Rods
607.7500 7500 lb. cap.**

**1-1/8" Dia. Superstructure Rods
607.17000 17000 lb. Cap.**

LENGTH	CAT. NO.	PART NO.	WT. LBS.
6"	607.7506	28-0318	1.5
9"	607.7509	28-0319	1.9
12"	607.7512	28-0320	2.3
15"	607.7515	29-0321	2.6
18"	607.7518	28-0322	3.0
21"	607.7521	28-0323	3.4
24"	607.7524	28-0324	3.8
27"	607.7527	28-0326	4.1
30"	607.7530	28-0327	4.5
33"	607.7533	28-0328	4.9
36"	607.7536	28-0329	5.3
39"	607.7539	28-0330	5.6
42"	607.7542	28-0331	6.0
45"	607.7545	28-0332	6.4
48"	607.7548	28-0333	6.8
51"	607.7551	28-0334	7.1
54"	607.7554	28-0335	7.5
57"	607.7557	28-0336	7.9
60"	607.7560	28-0337	8.3



LENGTH	CAT. NO.	PART NO.	WT. LBS.
6"	607.17006	30-0744	3.9
9"	607.17009	30-0745	4.2
12"	607.17012	30-0746	5.0
15"	607.17015	30-0747	5.9
18"	607.17018	30-0748	6.7
21"	607.17021	30-0749	7.6
24"	607.17024	30-0750	8.4
27"	607.17027	30-0751	9.3
30"	607.17030	30-0752	10.0
33"	607.17033	30-0753	10.9
36"	607.17036	30-0754	11.8
39"	607.17039	30-0755	12.6
42"	607.17042	30-0756	13.5
45"	607.17045	30-0757	14.3
48"	607.17048	30-0758	15.1
51"	607.17051	30-0759	16.0
54"	607.17054	30-0760	16.8
57"	607.17057	30-0761	17.7
60"	607.17060	30-0762	18.5



ACCO Material Handling Solutions
76 Acco Drive, Box 792, York, PA 17405-0792
717-741-4863, 800-967-7333, FAX 800-715-8897
E-mail: info@accomhs.com www.accomhs.com

© 2007 FKI Industries Inc.
Printed In USA



Track Clamps

These rugged track fittings are formed from special bar quality steel and have a built-in hardened bearing washer for Louden® Gimbal Rods. They clamp to the top flange of SuperTrack™ patented track at any point in the track system. The 1/2" clamping bolt is not subject to stress under live loads under normal operating conditions.

607.250 (28-0141)
Wt. 3 lbs. 7500 lb. cap.

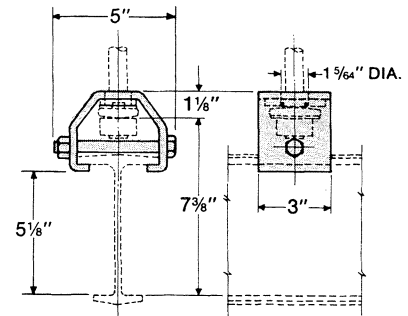
For 2" flange SuperTrack™ patented track supported by 3/4" dia. Gimbal Rods.

607.350 (28-0286)
Wt. 3 lbs. 8500 lb. cap.

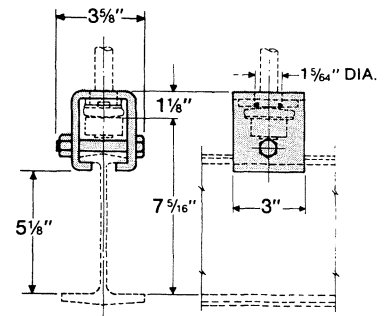
For 3.33" flange SuperTrack™ patented track supported by 3/4" dia. Gimbal Rods.

607.356 (28-0287)
Wt. 4 lbs. 12000 lb. cap.

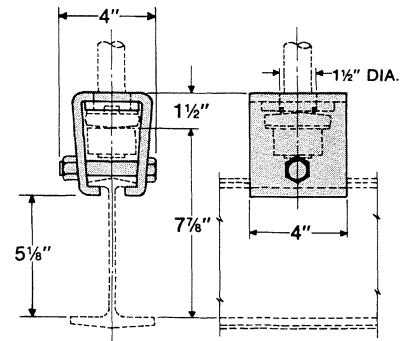
For 3.33" flange SuperTrack™ patented track supported by 1-1/8" dia. Gimbal Rods.



607.250



607.350



607.356



Girder Track Hangers

Used to connect *Louden®* Gimbal Rod assemblies to Girder track, Girder Track Hangers are designed to allow full gimbal action. They are used in mid-span, at splice points and with Girder Connectors. They are furnished complete with bolts, nuts and lock washers, and have a built in hardened bearing washer.

607.351 (40-1053)
Wt. 4-1/8 lbs. 8500 lb. cap.

Used to connect *SuperTrack™* Girder Track and *Trojan Track™* Girder Track to 3/4" Gimbal Rods. Includes 4 5/8" x 4" Grade 5 hex head cap screws, nuts and lock washers.

607.352 (40-1054)
Wt. 5-3/8 lbs. 20000 lb. cap.

Used to connect *SuperTrack™* Girder Track and *Trojan Track™* Girder Track to 1-1/8" Gimbal Rods. Includes 4 3/4" x 5" Grade 5 hex head cap screws, nuts and lock washers.

607.353 (40-1056)
Wt. 14-3/8 lbs. 34,000 lb. cap.

Used to connect *SuperTrack* Girder Track and *Trojan Track* Girder Track to 1-1/2" Gimbal Rods. Includes (4) 7/8" x 7" A325 hex head bolts with nuts, washers, and lockwashers.

Girder Top Flange Splices

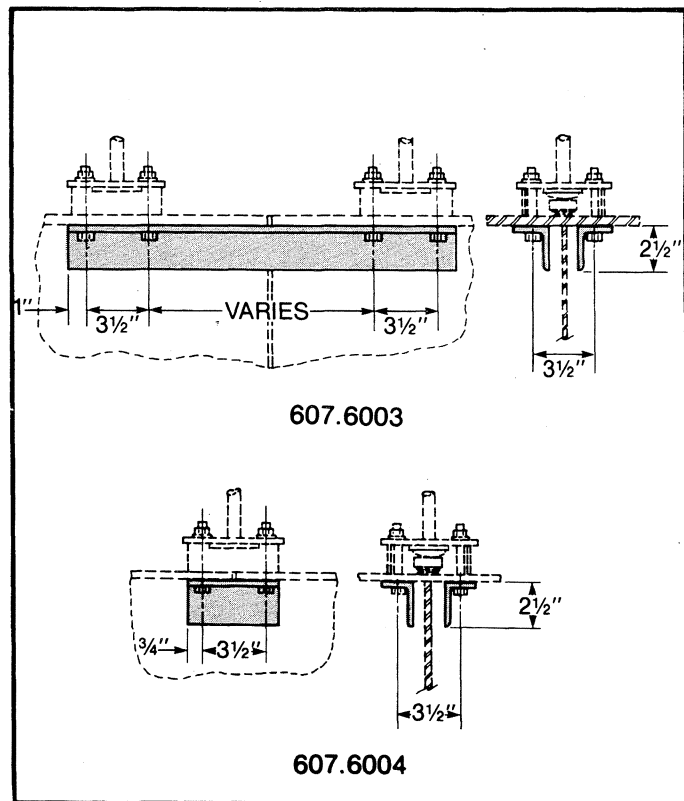
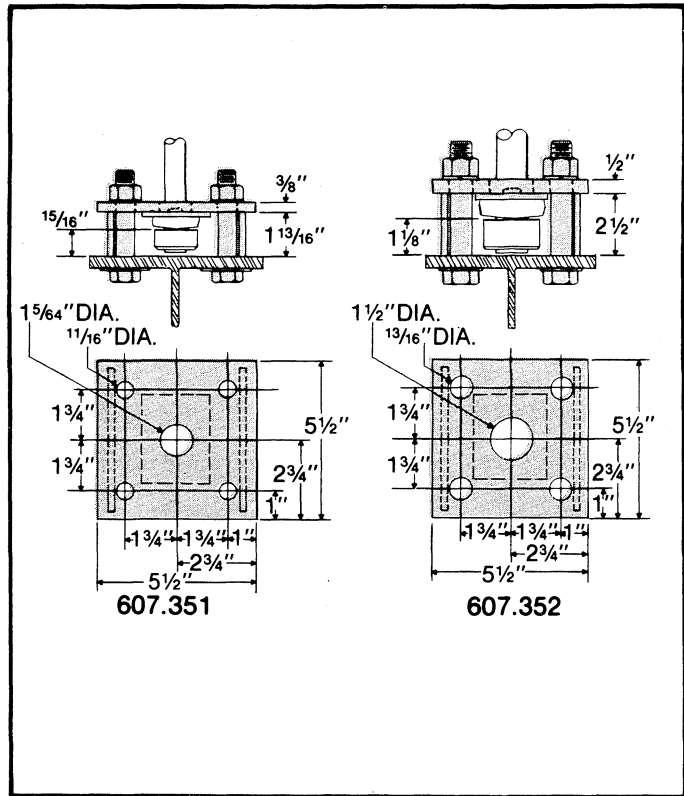
607.6003 (41-0007)
Wt. 12.7 lbs.

Must be used at splice points when two girder hangers are used at the splice. For 3/4" and 1-1/8" Gimbal Rods. Consult factory for 1-1/2" Gimbal Rods.

607.6004 (281096)
Wt. 3.2 lbs.

Must be used at splice points when rail end load exceeds maximum end load (in table below), and support is by two bolts at the end of each girder. Used in bolt direct or girder hanger applications.

Top Flange	Maximum End Load
5/16	4000
7/16	8000
5/8	16000
3/4	24000





Girder Connectors

At times, it is advantageous to utilize varying girder sizes in a single continuous track line, using deep girder for long spans and stepping down to smaller girder for short spans. In this situation a Girder Connector is used to support the smaller girder from the larger one.

All *Louden* Girder Connectors are furnished complete with the required Grade 5 hex head cap screws, nuts, lock washers and shims but do require the addition of the proper Girder Track Hanger.

607.402 (41-0009)

Wt. 4½ lbs.

Used to connect girders with a 2" height difference.

607.403 (41-0010)

Wt. 5 lbs.

Used to connect girders with a 3" height difference.

607.405 (41-0001)

Wt. 9½ lbs.

Used to connect girders with a 5" height difference.

607.406 (41-0001)

Wt. 10¼ lbs.

Used to connect girders with a 6" height difference.

607.408 (41-0001)

Wt. 11½ lbs.

Used to connect girders with an 8" height difference.

607.409 (41-0001)

Wt. 12¼ lbs.

Used to connect girders with a 9" height difference.

607.410 (41-0001)

Wt. 13 lbs.

Used to connect girders with a 10" height difference.

607.411 (41-0001)

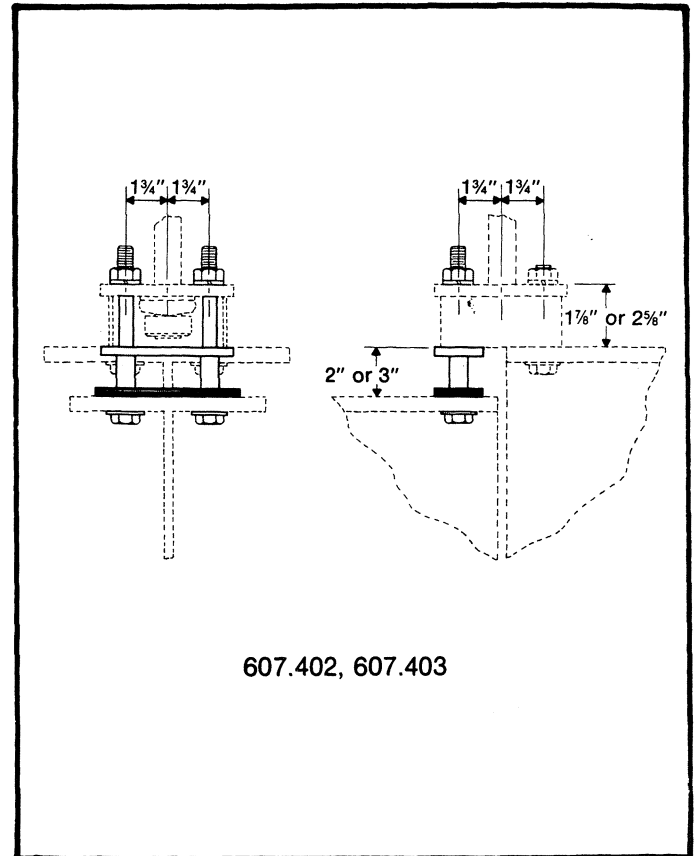
Wt. 13¾ lbs.

Used to connect girders with an 11" height difference.

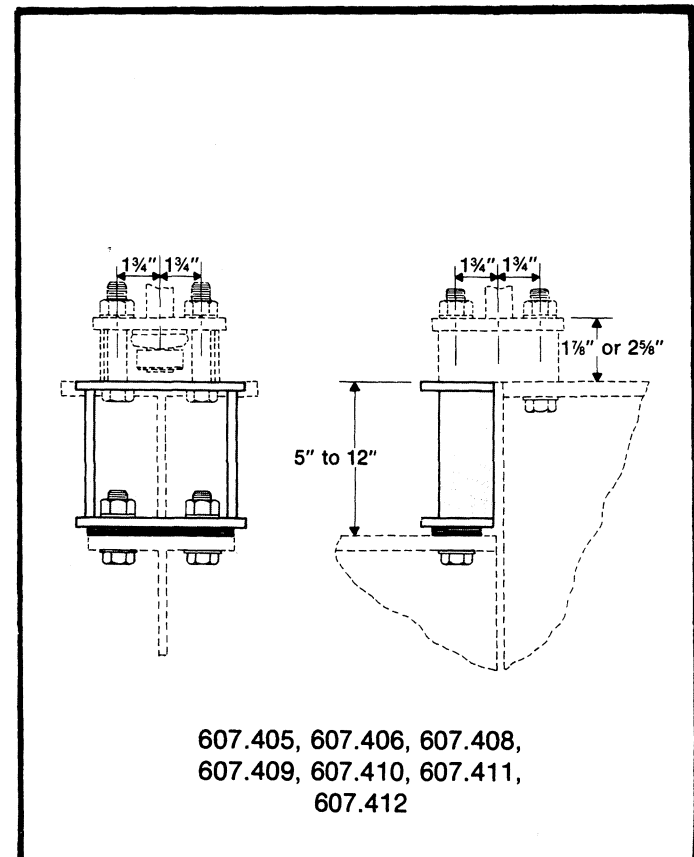
607.412 (41-0001)

Wt. 14¼ lbs.

Used to connect girders with a 12" height difference.



607.402, 607.403



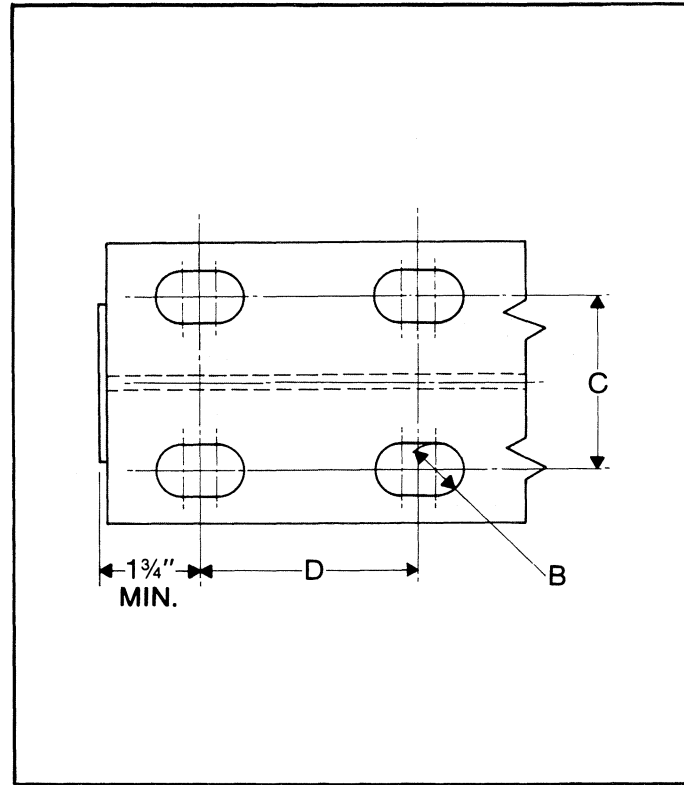
607.405, 607.406, 607.408,
607.409, 607.410, 607.411,
607.412



Girder Top Flange Hole Specifications

Each length of Louden girder track is furnished with one pair of slotted holes at each end spaced 3½" center-to-center and 1¾" to center from the end of the operating flange, as shown on pages 604-2 and 605-2. Any variations from this must be specified from the chart below. Nominal slot length is twice the hole size but does not exceed 2". Refer to York, Pa. for bolt patterns other than those shown below.

A		B		C			D	
FLANGE THICKNESS	BOLT SIZE	NOM. HOLE SIZE	GAGE			SPREAD		
			STANDARD	MINIMUM	MAXIMUM	STANDARD	MINIMUM	
5/16	5/8	1 1/16	3 1/2	3	3 1/2	3 1/2	3	
7/16	5/8	1 1/16	3 1/2	3	4	3 1/2	3	
	3/4	1 3/16	3 1/2	3	4	3 1/2	3	
5/8	5/8	1 1/16	3 1/2	3	4	3 1/2	3	
	3/4	1 3/16	3 1/2	3	4	3 1/2	3	
3/4	7/8	1 5/16	-	3	4	-	3	
	1	1 7/16	-	3 1/2	4 1/2	-	3 1/2	
	1 1/8	1 9/16	-	4	4 1/2	-	3 1/2	



Girder Track Extensions

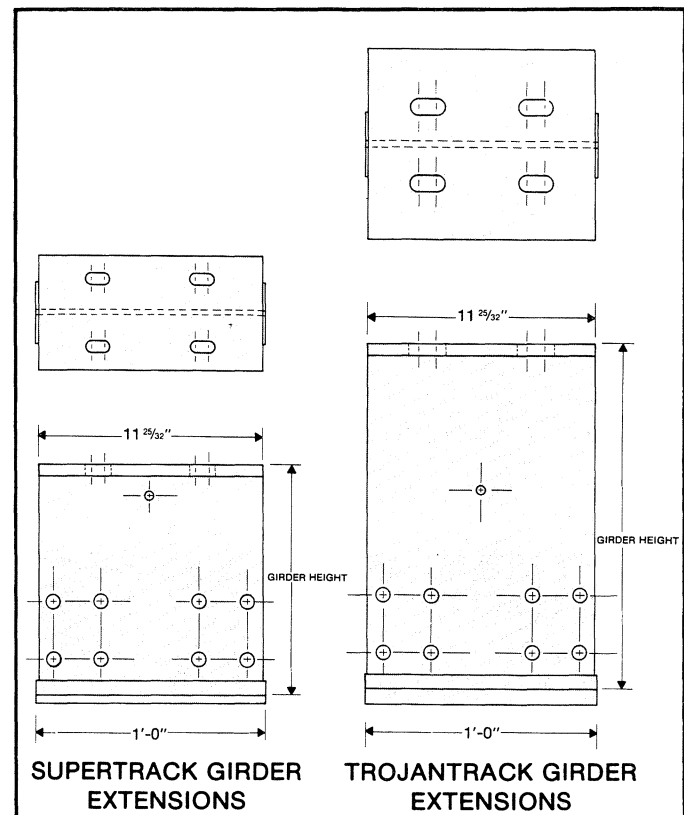
When a track system requiring future extension is installed, inclusion of these 12" long sections of girder track allows proper placement of building superstructure and track hanger points. When the track line is continued, the Girder Track Extension is removed and replaced with the new track, minimizing installation costs and reducing alterations to the existing system.

Supertrack Girder Extensions

- 607.509, Wt. 24 lbs. 9" deep girder
- 607.512, Wt. 31 lbs. 12" deep girder
- 607.514, Wt. 35 lbs. 14" deep girder
- 607.515, Wt. 38 lbs. 15" deep girder
- 607.518, Wt. 46 lbs. 18" deep girder
- 607.521, Wt. 53 lbs. 21" deep girder

Trojantrack Girder Extensions

- 607.612, Wt. 35 lbs. 12" deep girder
- 607.615, Wt. 43 lbs. 15" deep girder
- 607.618, Wt. 50 lbs. 18" deep girder
- 607.621, Wt. 66 lbs. 21" deep girder
- 607.624, Wt. 74 lbs. 24" deep girder
- 607.627, Wt. 85 lbs. 27" deep girder
- 607.630, Wt. 89 lbs. 30" deep girder
- 607.632, Wt. 92 lbs. 32" deep girder





Flush Clamps

Louden flush clamps are designed to eliminate the drilling of holes in building superstructure when suspending a crane or monorail system. Flush clamps support Louden tracks at right angles to superstructure steel by clamping the top flange of the track to the bottom of the supporting steel, but do allow some adjustability during installation. Louden flush clamps are available in up to 30,000 lb. capacity to fit a wide range of beam and truss sizes.

607.710 (41-0023)
Wt. 15 lbs. 5,000 lb. cap.

Used to support 602.6 SuperTrack from beam flanges 3" to 5 $\frac{3}{8}$ " wide. For non-electrified systems only.

607.711 (41-0025)
Wt. 15 lbs. 5,000 lb. cap.

Used to support 602.6 SuperTrack from beam flanges 5 $\frac{1}{2}$ " to 7 $\frac{1}{4}$ " wide. For non-electrified systems only.

607.720 (41-0019)
Wt. 15 lbs. 5,000 lb. cap.

Used to support 603.6 SuperTrack from beam flanges 3" to 5 $\frac{3}{8}$ " wide. For non-electrified systems only.

607.721 (41-0021)
Wt. 15 lbs. 5,000 lb. cap.

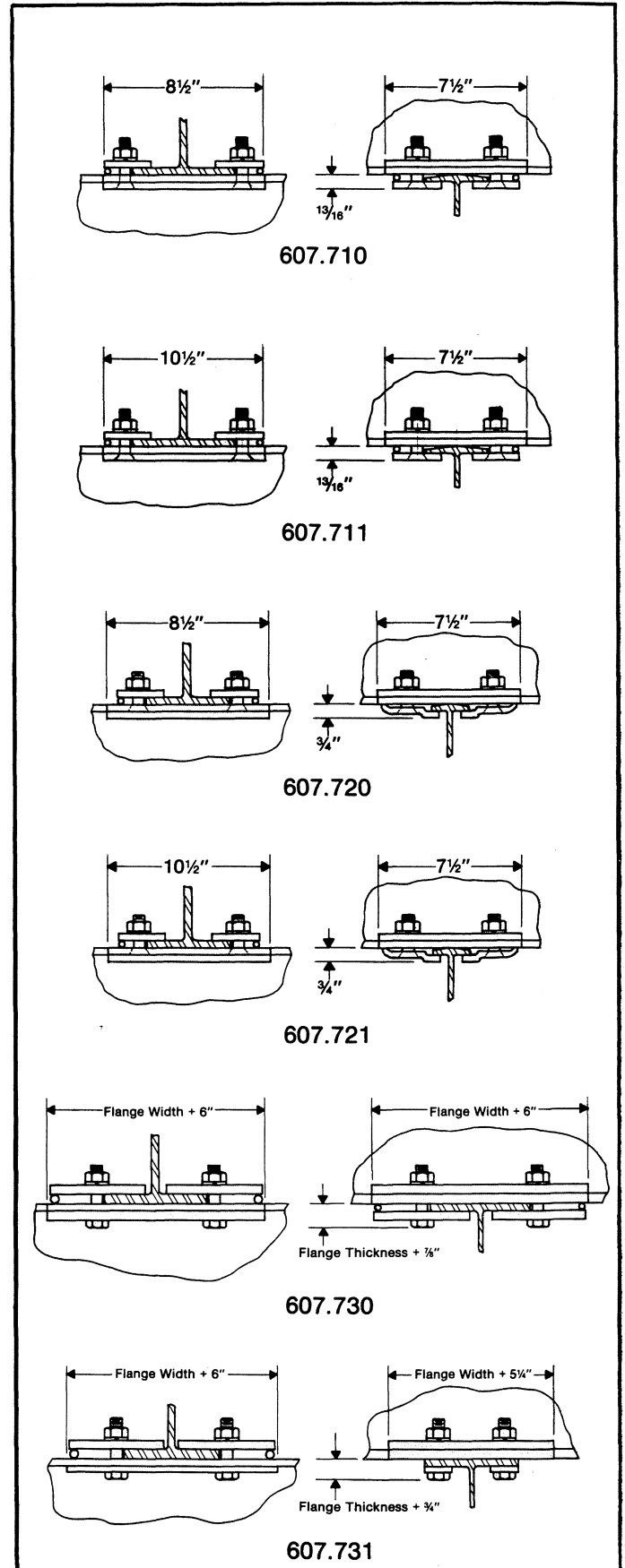
Used to support 603.6 SuperTrack from beam flanges 5 $\frac{1}{2}$ " to 7 $\frac{1}{4}$ " wide. For non-electrified systems only.

607.730 (41-0031)
Wt. 35 lbs. 10,000 lb. cap.

For use with 604 SuperTrack Girder and 605 TrojanTrack Girder. Not to be used with electrified 604.820 & 604.924 SuperTrack Girder.

607.731 (41-0033)
Wt. 35 lbs. 10,000 lb. cap.

For use with 604 SuperTrack Girder and 605 TrojanTrack Girder. Requires 4 slotted holes in the top flange of the track.





**LOUDEN® MONORAIL AND CRANE SYSTEM TRACK
TRACK SUSPENSION ASSEMBLIES**

607-12
Issued 9-7-01

607.740 (41-0028)

Wt. 60 lbs. 15,000 lb. cap.

For use with 604 SuperTrack Girder and 605 TrojanTrack Girder. Not to be used with electrified 604.820 or 604.924 SuperTrack Girder.

607.750 (41-0039)

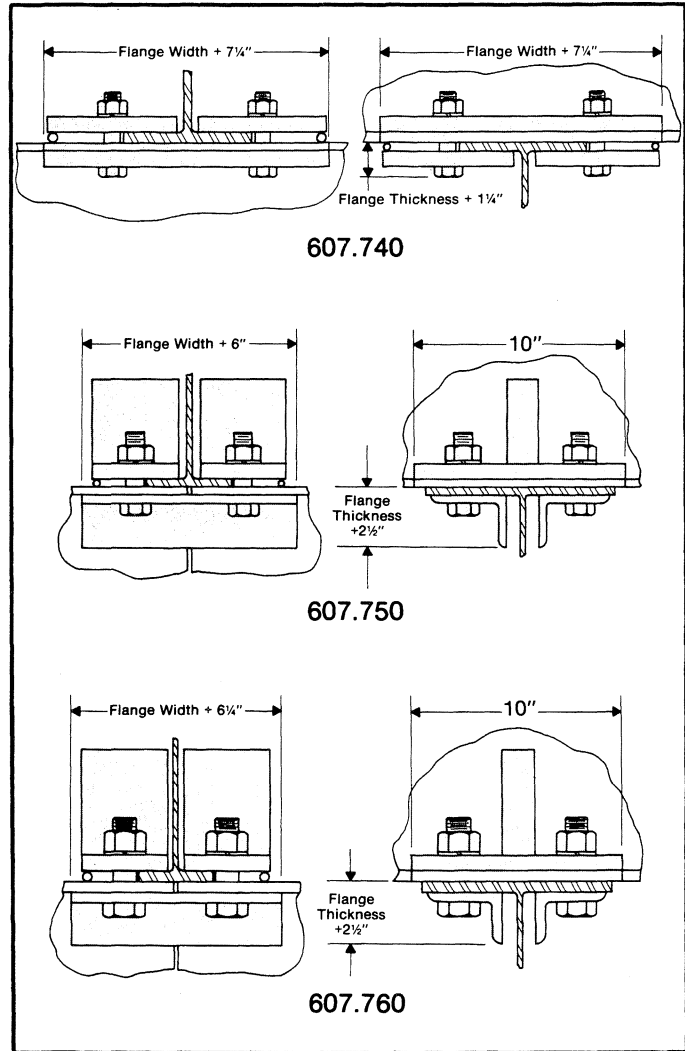
Wt. 80 lbs. 20,000 lb. cap.

For use with 604 SuperTrack Girder and 605 TrojanTrack Girder 18" deep or more. Requires 4 slotted holes in the top flange of the track.

607.760 (41-0036)

Wt. 90 lbs. 30,000 lb. cap.

For use with 604 SuperTrack Girder and 605 TrojanTrack Girder 18" deep or more. Requires 4 slotted holes in the top flange of the track.



ACCO Material Handling Solutions
76 Acco Drive, Box 792, York, PA 17405-0792
717-741-4863, 800-967-7333, FAX 800-715-8897
E-mail: info@accmhs.com www.accmhs.com

© 2007 FKI Industries Inc.
Printed In USA

LOUDEN®
MONORAIL
TRACK SWITCHES

Louden offers a wide selection of monorail track switches to fit any monorail requirement. A product of continued refinement through many years of industrial usage, each Louden track switch has been carefully designed to withstand the punishment common to monorail systems.

The switches are constructed of heavy steel plate, angle and channel, carefully assembled to produce a smooth, easy operating track switch. All track used in Louden switches is either *Louden SuperTrack* or *Louden TrojanTrack*. The ends of the switch tracks are cut to provide the smoothest possible trolley operation into and out of the switch.

Louden monorail track switches are designed for use with Louden trolleys. The Material Handling Group will **not** accept responsibility for trouble-free operation when using trolleys other than of our manufacture.

SuperTrack trolleys (those with 4½" tread diameter wheels) may be operated through either *SuperTrack* or *TrojanTrack* switches. *TrojanTrack* trolleys (those with 9" tread diameter wheels) may be operated only through *TrojanTrack* switches.

Channel yoke trolleys, 375 lbs. and 750 lbs. capacity, should be operated only through tongue or cross track switches, non-electrified.

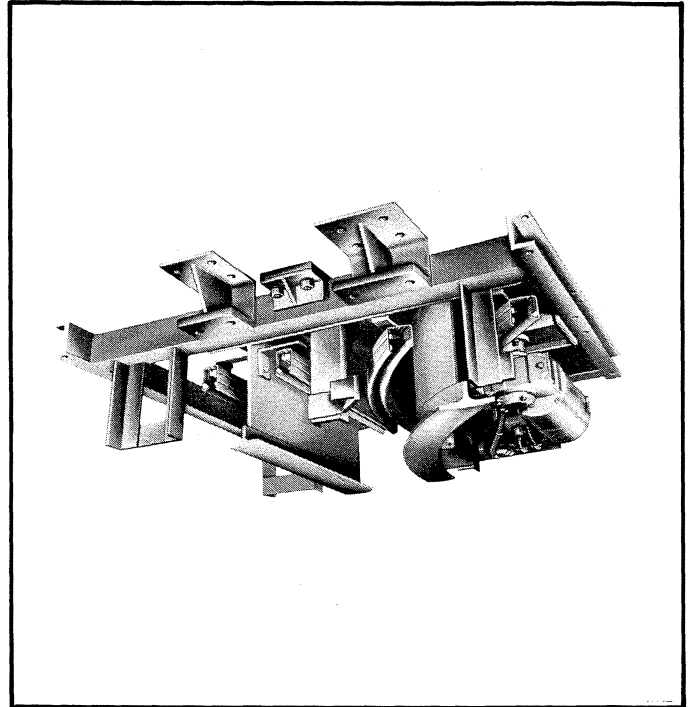
LARGE SELECTION

Louden offers a large selection of track switches which allows for the proper application for any monorail situation.

Louden switches include tongue switches with either 2" or 3.33" *SuperTrack* tongues...cross-track switches with either 2" or 3.33" *SuperTrack* tongues...Medium-duty sliding switches with either 2" or 3.33" *SuperTrack* tongues, and heavy-duty sliding switches with either 3.33" *SuperTrack* or *TrojanTrack* tongues.

Tongue and cross-track switches should be used for light-duty, hand operated monorail systems where the load on the switch will not exceed 3,000 lbs.

Medium-duty sliding switches have capacities of 3,000 lbs. (2" *SuperTrack* carriage) and 5,000 lbs. (3.33" *SuperTrack* carriage).



Heavy-duty sliding switches have capacities of 10,000 lbs.

Heavy-duty *TrojanTrack* sliding switches have capacities of 15,000 lbs. Larger capacity loads may be handled if provision is made to limit the load on the switch tongue to the rated capacities.

Sliding switches offer smoother trolley operation than do tongue switches, as the track sections of sliding switches are curved and form an integral part of the track curve. Sliding switches also offer closer switch grouping than do tongue switches.

Monorail track switches should not be operated while trolleys are on the switch tongue.

SWITCH CONTROL

LOUDEN monorail track switches are available with a wide range of operating mechanisms and controls. Depending upon the type, switches may be operated by hand, electric motor, or air cylinder. Throw of switch may be accomplished with rope pulls, pushbutton pendant, or remote electrical signal as with *Selectomatic* control.



ACCO Material Handling Solutions
76 Acco Drive, Box 792, York, PA 17405-0792
717-741-4863, 800-967-7333, FAX 800-715-8897
E-mail: info@accomhs.com www.accomhs.com

© 2007 FKI Industries Inc.
Printed In USA



LOUDEN® SWITCHES
FOR USE WITH 2" FLANGE SUPERTRACK™ MONORAIL SYSTEMS

702-1
 Issued 9-7-01

Tongue Switch, Non-electrified

Louden SuperTrack tongue switches are designed to permit one switch to perform four different operations. With only a minimum modification to the operating mechanism, the basic switch may be used as a right-hand, left-hand, wye or three-way tongue switch on non-electrified SuperTrack monorail systems. Conversion to right-hand, left-hand, or three-way switches may be made with no additional parts. Conversion to wye type switches will require the addition of a lock-out and baffle weldment, part number 30-0029.

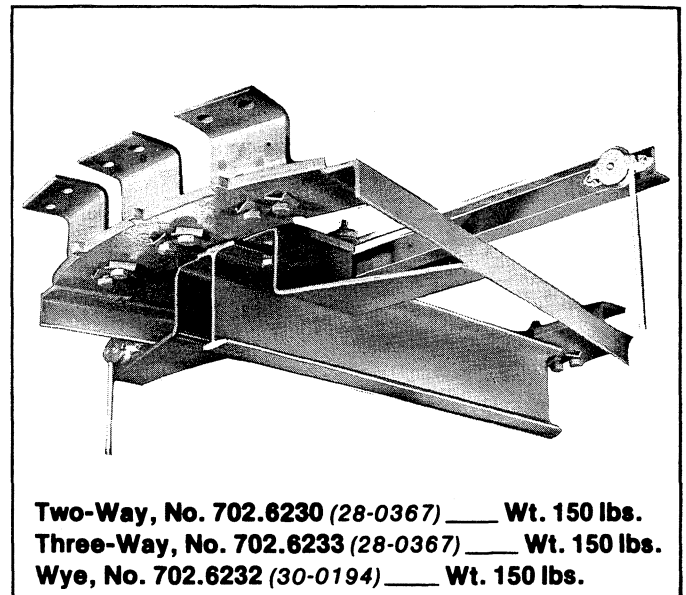
When used as either 702.6230 two-way switch or 702.6233 three-way switch, and exclusively with 402.375 or 402.750 series trolleys, Part No. 260003-B must be installed during erection of the switch. Otherwise Part No. 260003-B is not used.

This switch is a complete unit constructed of formed steel with a Louden SuperTrack tongue. For better alignment of the track flange, all tracks are fastened securely to the switch frame. This also prevents any creeping of the track. For a smoother, stronger switch connection, the lead-in track at the pivot end is machined concave, while the switch tongue is machined convex. Open tracks are guarded by a rugged mechanical baffle.

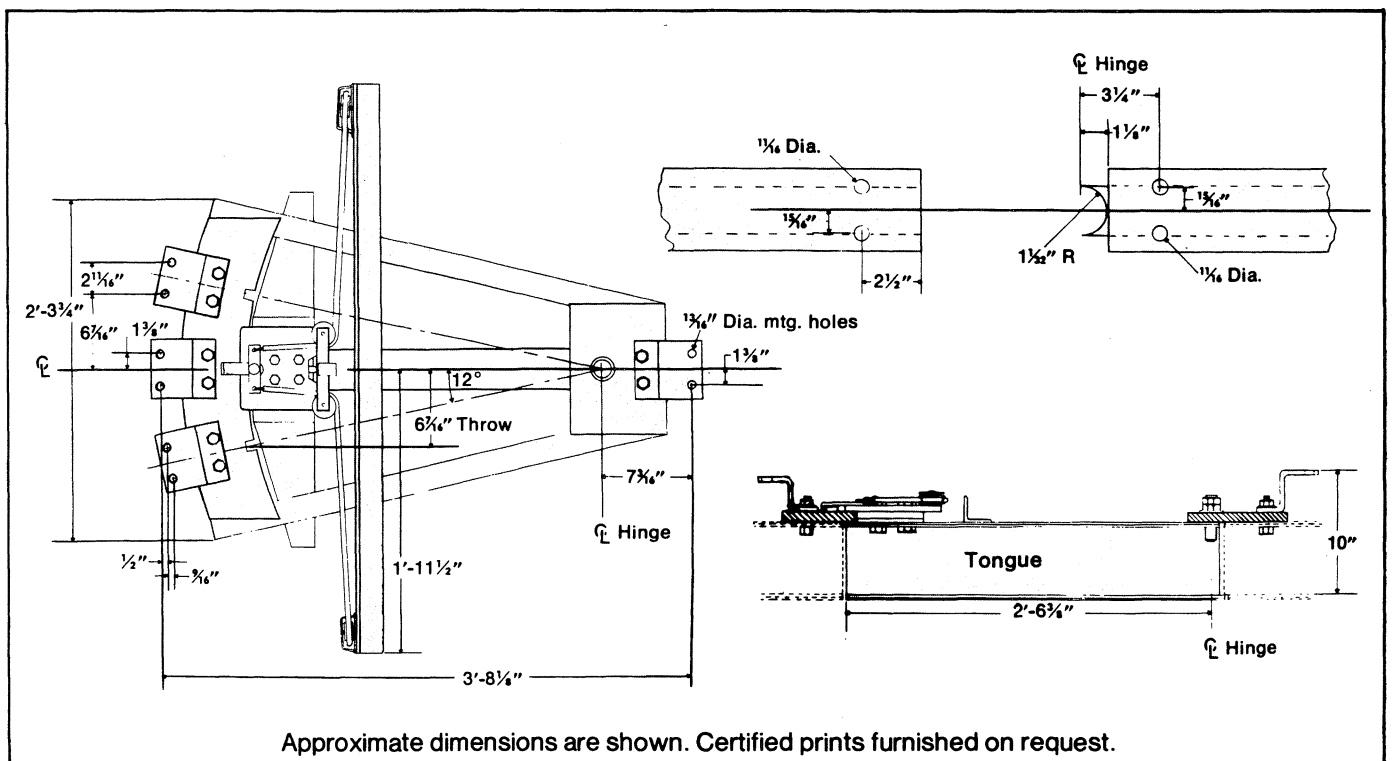
Fifteen foot pull ropes are supplied as standard for operation of the switch operating mechanism. The switch should be connected directly to the superstructure.

Monorail switches are not designed to operate under load, and must be latched into one of the operating positions when left unattended.

Switch Capacity: 3,000 pounds.



WARNING: Equipment described herein is not designed for and should not be used for lifting, supporting or transporting humans. Use of this equipment for this purpose can result in serious bodily injury and/or property damage. Modifications to upgrade, rerate or otherwise alter the equipment shall be authorized only by the original equipment manufacturer or qualified professional engineer.





LOUDEN® SWITCHES
FOR USE WITH 2" FLANGE SUPERTRACK™ MONORAIL SYSTEMS

702-2
 Issued 9-7-01

Cross Switch, Non-electrified

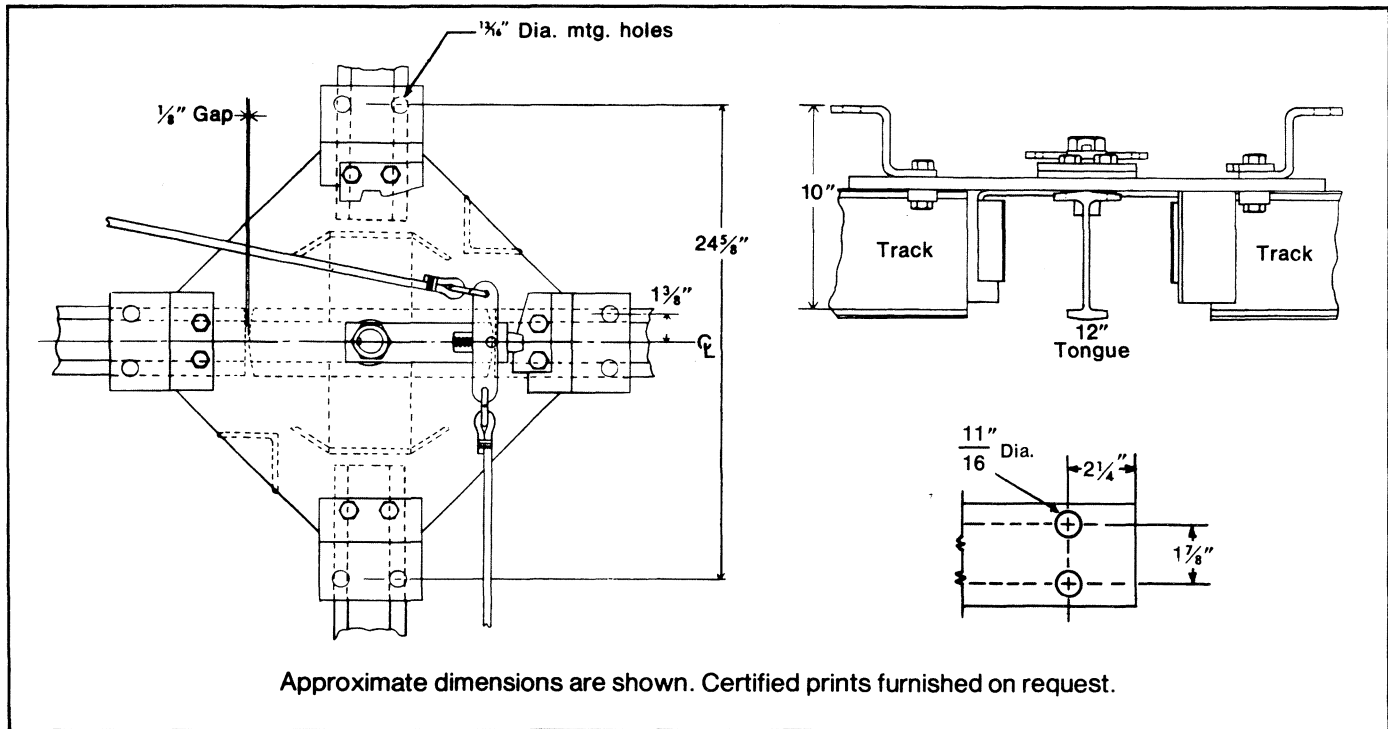
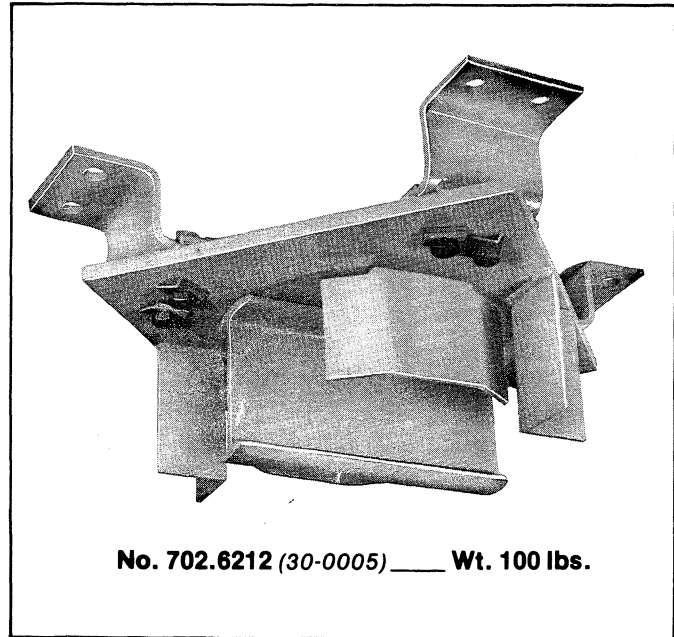
Louden cross-track switches allow two monorail tracks at the same elevation to cross at right angles. The switch is a complete unit constructed of formed steel, with a 12" Louden SuperTrack tongue. For better alignment of the track flanges, all tracks are fastened securely to the switch frame. This also prevents any creeping of the track. Open tracks are guarded by rugged mechanical baffles.

Pulleys are supplied with the switch to be attached to the superstructure at the point most convenient for operation. Fifteen foot pull ropes are supplied as standard for operating the switch.

The switch should be connected directly to the superstructure.

The cross-track switch is not designed to support a load during rotation. Consult the Factory for information on turntables.

Switch Capacity: 3,000 pounds.



WARNING: Equipment described herein is not designed for and should not be used for lifting, supporting or transporting humans. Use of this equipment for this purpose can result in serious bodily injury and/or property damage. Modifications to upgrade, rerate or otherwise alter the equipment shall be authorized only by the original equipment manufacturer or qualified professional engineer.



ACCO Material Handling Solutions
 76 Acco Drive, Box 792, York, PA 17405-0792
 717-741-4863, 800-967-7333, FAX 800-715-8897
 E-mail: info@accmhs.com www.accmhs.com

© 2007 FKI Industries Inc.
 Printed In USA

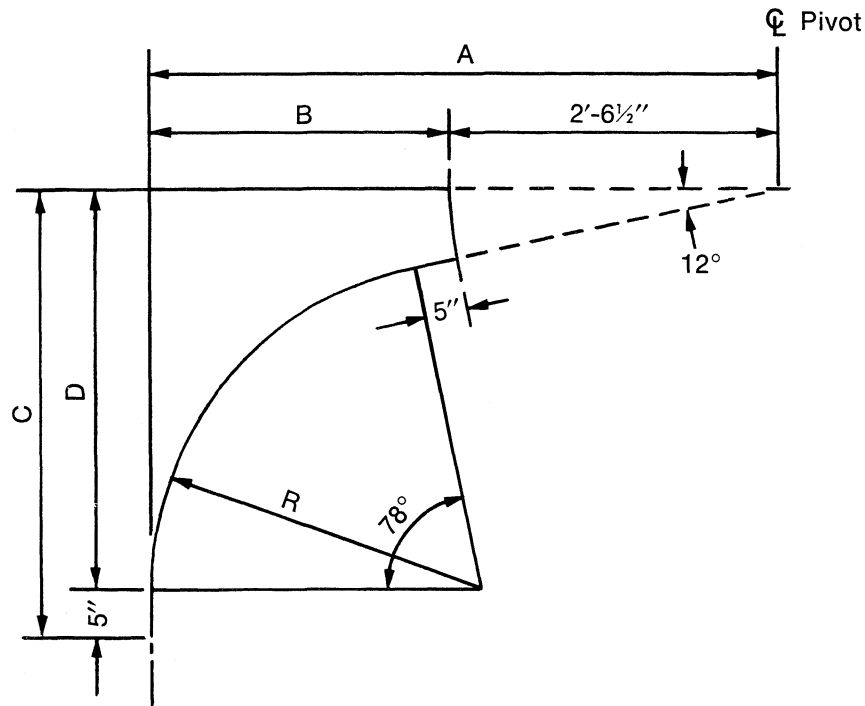
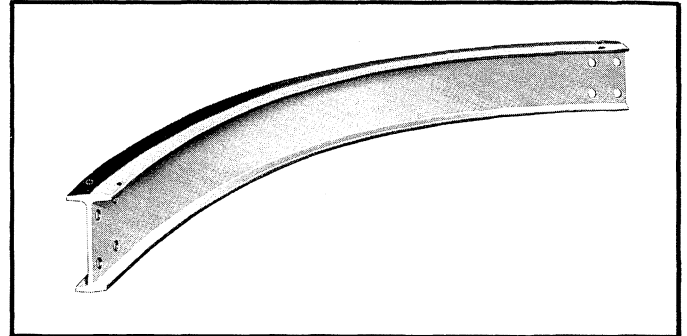


Curve and Dimensional Layout Data

All Louden SuperTrack curves are furnished complete, ready for installation into the monorail system. By machine bending at the factory, these curves are formed to close tolerances to fit into the track system and to hold their original shape.

For tongue switches, the top flange of each curve section is punched for a switch adapter. This allows for the best possible alignment and proper clearance for easy switch operation.

Catalog number 602.5283 SuperTrack curve is standard. All other curved track is available on order.



Cat. No.	Part No.	R	A	B	C	D
602.5283	28-0503	3'-4"	5'-6 ³ / ₈ "	2'-11 ¹ / ₈ "	4'-3 ¹ / ₂ "	3'-10 ¹ / ₂ "
Also available with the following radii						
602.5293	30-0658	3'-0"	5'-3 ³ / ₈ "	2'-8 ¹ / ₈ "	3'-11 ¹ / ₈ "	3'-6 ³ / ₈ "
602.5294	30-0659	3'-9"	5'-10 ³ / ₈ "	3'-3 ³ / ₈ "	4'-8 ³ / ₈ "	4'-3 ³ / ₈ "
602.5295	30-0660	4'-0"	6'-0 ¹ / ₈ "	3'-6 ³ / ₈ "	4'-11 ¹ / ₈ "	4'-6 ³ / ₈ "
602.5296	30-0661	4'-6"	6'-5 ¹ / ₈ "	3'-10 ¹ / ₈ "	5'-5 ¹ / ₈ "	5'-0 ¹ / ₈ "
602.5297	30-0662	5'-0"	6'-10 ³ / ₈ "	4'-3 ¹ / ₈ "	5'-11 ¹ / ₈ "	5'-6 ³ / ₈ "
602.5298	30-0663	5'-6"	7'-2 ¹ / ₈ "	4'-8 ³ / ₈ "	6'-4 ¹ / ₈ "	5'-11 ¹ / ₈ "
602.5299	30-0664	6'-0"	7'-7 ¹ / ₈ "	5'-1 ³ / ₈ "	6'-10 ³ / ₈ "	6'-5 ³ / ₈ "

Approximate dimensions are shown. Certified prints furnished on request.



LOUDEN® SWITCHES
FOR USE WITH 2" FLANGE SUPERTRACK™ MONORAIL SYSTEMS

702-4
 Issued 9-7-01

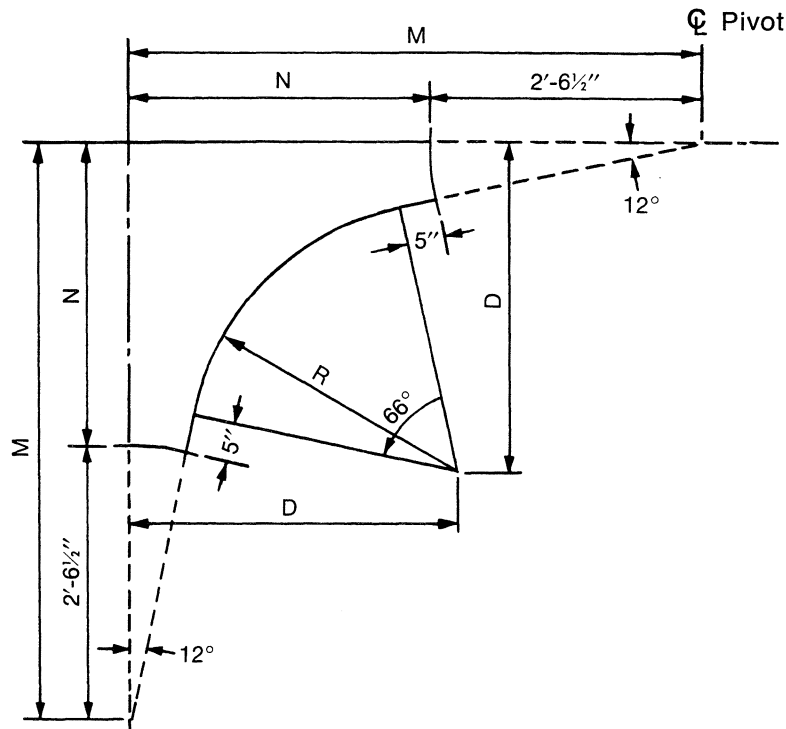
Curve and Dimensional Layout Data

All Louden SuperTrack curves are furnished complete, ready for installation into the monorail system. By machine bending at the factory, these curves are formed to close tolerances to fit into the track system and to hold their original shape.

For tongue switches, the top flange of each curve sec-

tion is punched for a switch adapter. This allows for the best possible alignment and proper clearance for easy switch operation.

Catalog number 602.5285 SuperTrack curve is standard. All other curved track is available on order.



Cat. No.	Part No.	R	M	N	D
602.5285	28-0504	3'-4"	6'-0 ³ / ₈ "	3'-6 ³ / ₈ "	3'-10 ¹ / ₂ "
Also available with the following radii					
602.5286	30-0651	3'-0"	5'-9 ³ / ₄ "	3'-3 ¹ / ₄ "	3'-6 ³ / ₈ "
602.5287	30-0652	3'-9"	6'-4 ¹ / ₈ "	3'-10 ³ / ₈ "	4'-3 ³ / ₈ "
602.5288	30-0653	4'-0"	6'-7"	4'-0 ¹ / ₂ "	4'-6 ³ / ₈ "
602.5289	30-0654	4'-6"	6'-11 ⁵ / ₈ "	4'-5 ⁵ / ₈ "	5'-0 ³ / ₈ "
602.5290	30-0655	5'-0"	7'-4 ¹ / ₄ "	4'-9 ³ / ₄ "	5'-6 ³ / ₈ "
602.5291	30-0656	5'-6"	7'-8 ³ / ₈ "	5'-2 ³ / ₈ "	5'-11 ¹ / ₈ "
602.5292	30-0657	6'-0"	8'-1 ¹ / ₂ "	5'-7"	6'-5 ³ / ₈ "

Approximate dimensions are shown. Certified prints furnished on request.



ACCO Material Handling Solutions
 76 Acco Drive, Box 792, York, PA 17405-0792
 717-741-4863, 800-967-7333, FAX 800-715-8897
 E-mail: info@accomhs.com www.accomhs.com

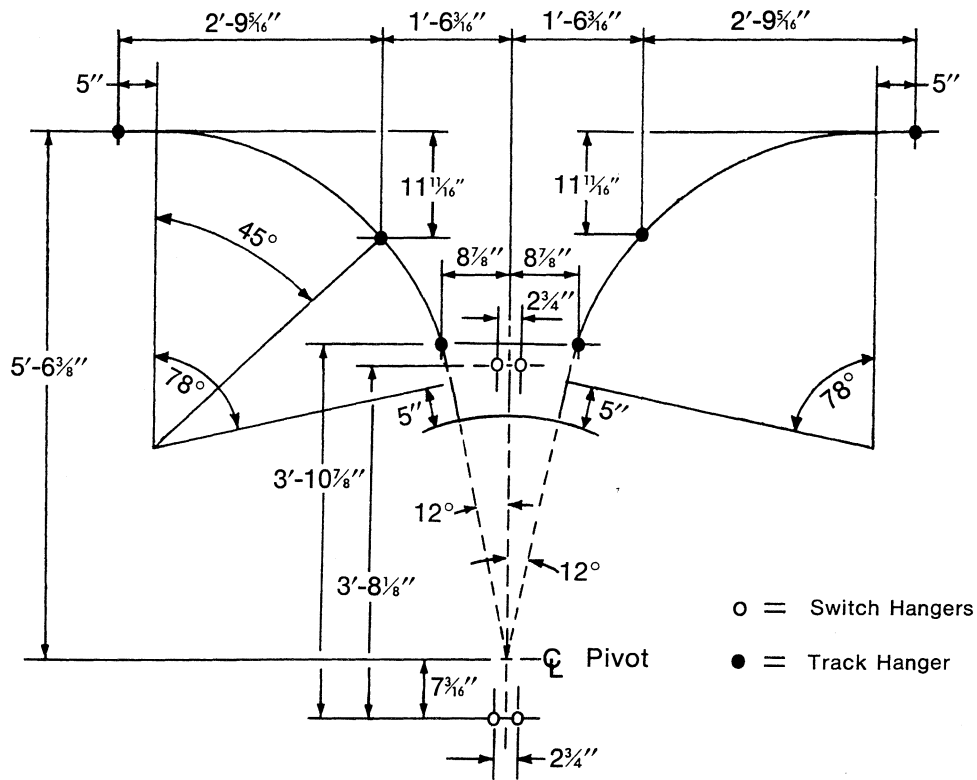
© 2007 FKI Industries Inc.
 Printed In USA



Hanger and Switch Locations for 2" Flange SuperTrack Tongue Switches

The following track plans should be used to determine track layouts and hanger locations when using *SuperTrack* tongue switches. Three way switches are shown; however, all dimensions will be the same when using two-way and wye tongue switches.

All switch hangers have 13/16" diameter mounting holes, and all curves shown have standard 3'-4" radii with 5" of straight track at both ends.



Track Plan for 78° Radius Curves

Approximate dimensions are shown. Certified prints furnished on request.



LOUDEN® SWITCHES
FOR USE WITH 2" FLANGE SUPERTRACK™ MONORAIL SYSTEMS

702-7
 Issued 9-7-01

Non-Electrified SuperTrack Sliding Switches

Louden non-electrified SuperTrack sliding switches are available in three configurations to adapt to most monorail layouts. These medium duty switches are available as two-way, three-way, and wye switches. Sliding switches are used in monorail systems where close switch grouping is required.

Two-way switches are used when a branch line monorail connects with the main line of track at an angle. The switch may be furnished for either right or left hand operation.

Wye switches are used where one main line monorail track branches off at angles on both sides of the switch.

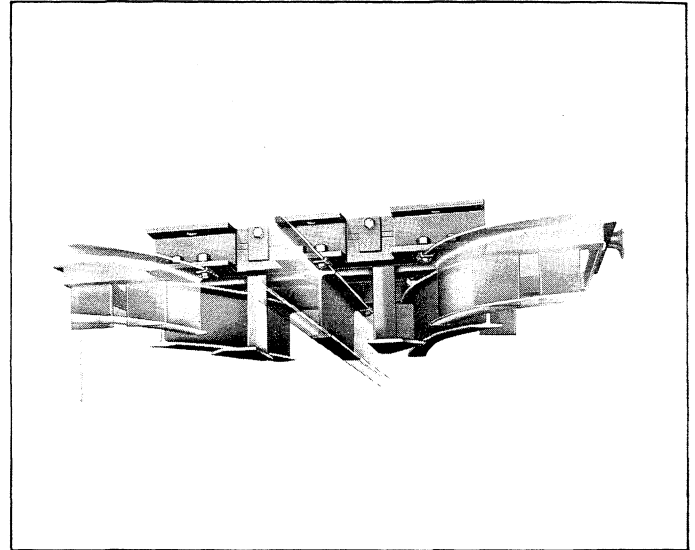
Three-way switches are used where there are two spur lines branching off at angles on both sides of the main monorail track.

The frame for these switches consists of welded heavy structural steel members with the carriage mounted on rollers for smooth, easy operation. Heavy structural steel baffles are welded to the switch carriage to protect open tracks. Incoming tracks are bolted to the switch to insure perfect alignment.

Fifteen foot pull ropes are furnished as standard for switch operation. The switch should be connected directly to the superstructure.

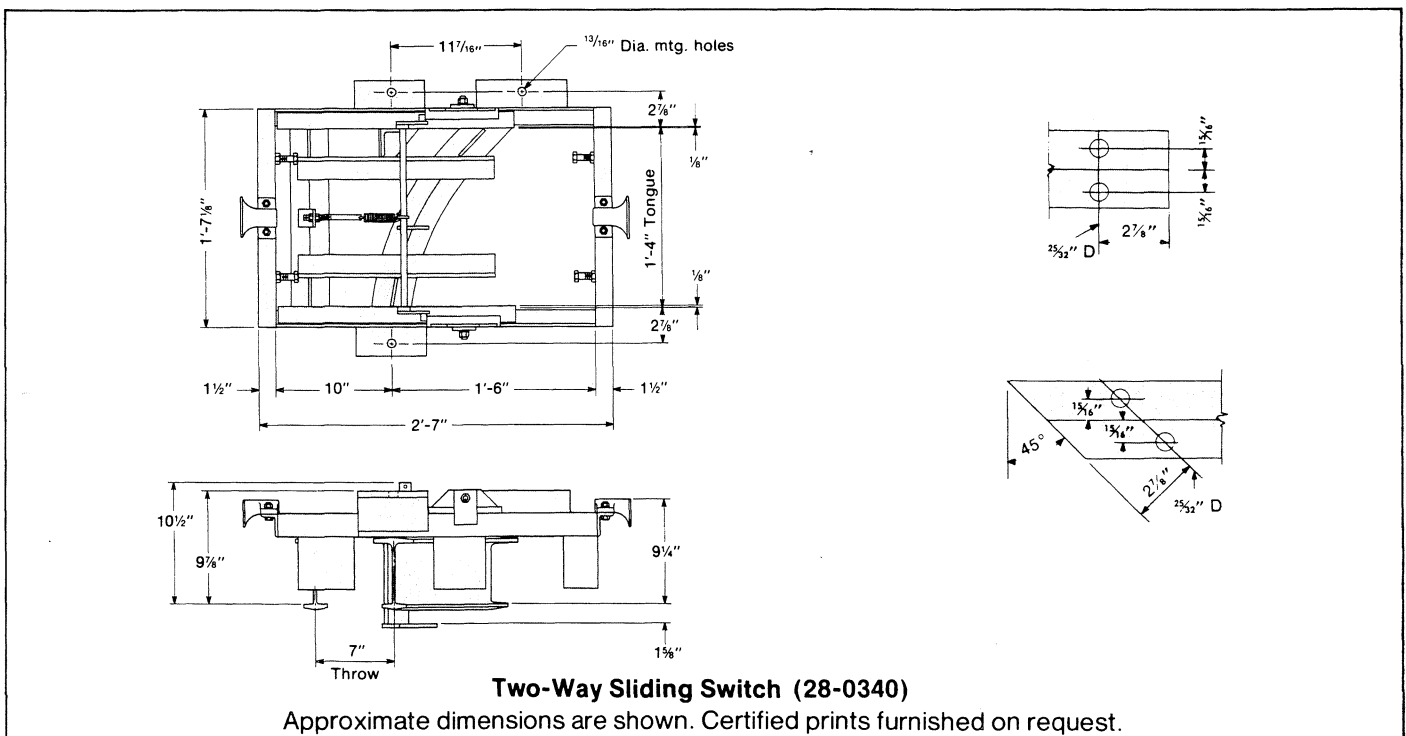
These switches are not to be used with *MotoVeyors*.

Switch Capacity: 3,000 pounds



Manually Operated

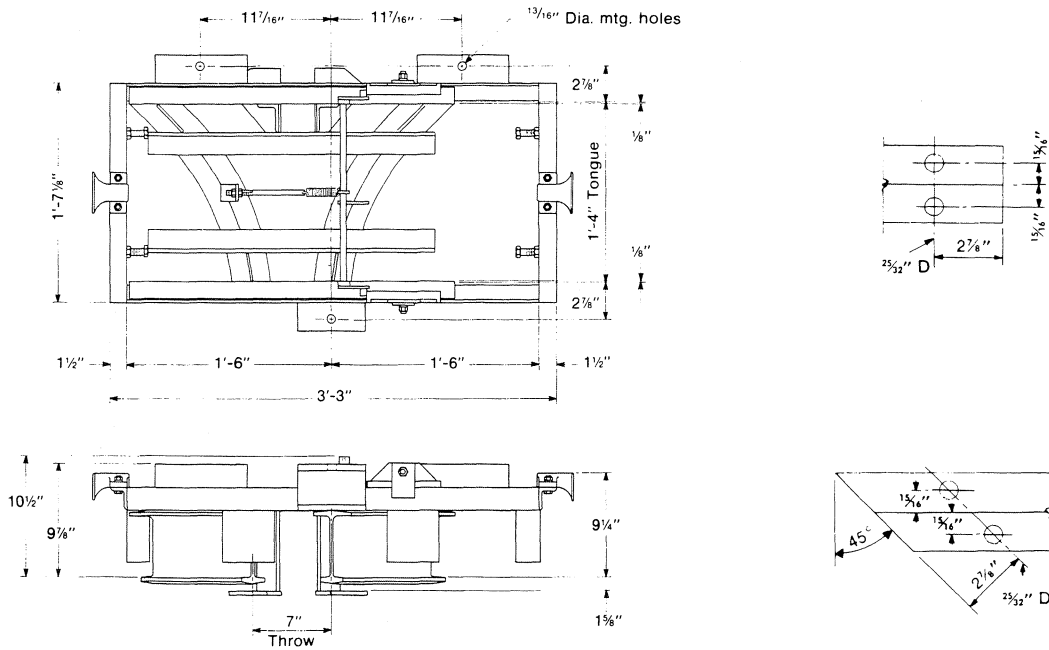
Right Hand	702.7011R (28-0340) 135 lbs.
Left Hand	702.7011L (28-0364) 135 lbs.
Wye	702.7012 (28-0365) 156 lbs.
Three-Way	702.7013 (28-0366) 210 lbs.





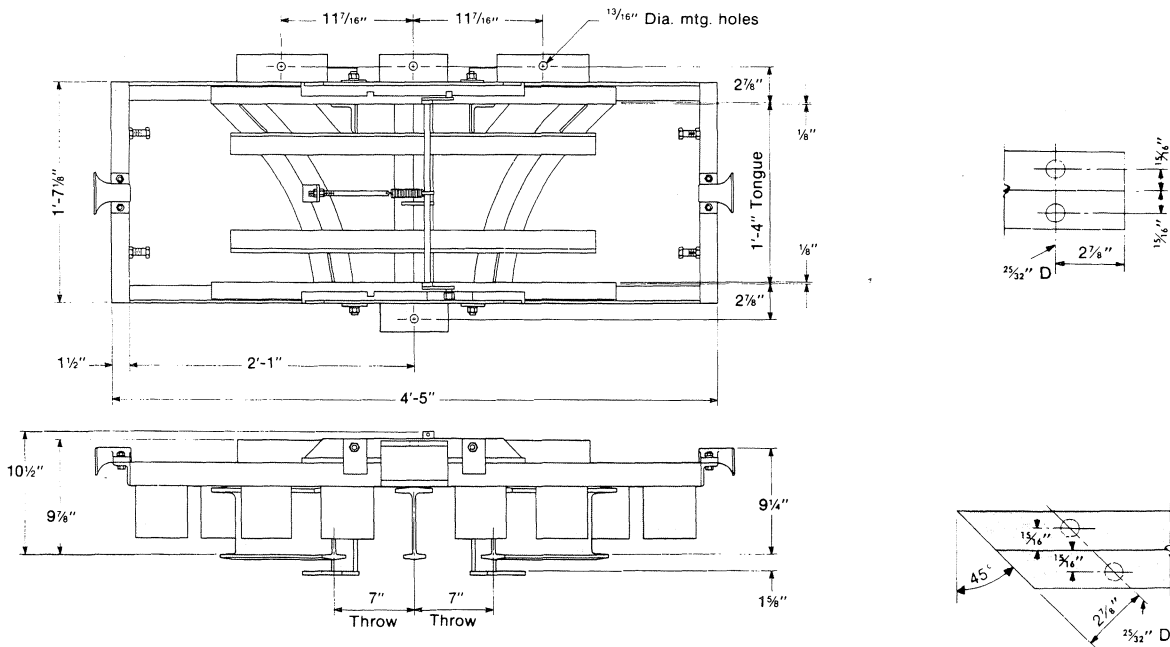
LOUDEN® SWITCHES
FOR USE WITH 2" FLANGE SUPERTRACK™ MONORAIL SYSTEMS

702-8
Issued 9-7-01



Wye Sliding Switch (28-0365)

Approximate dimensions are shown. Certified prints furnished on request.



Three-Way Sliding Switch (28-0366)

Approximate dimensions are shown. Certified prints furnished on request.



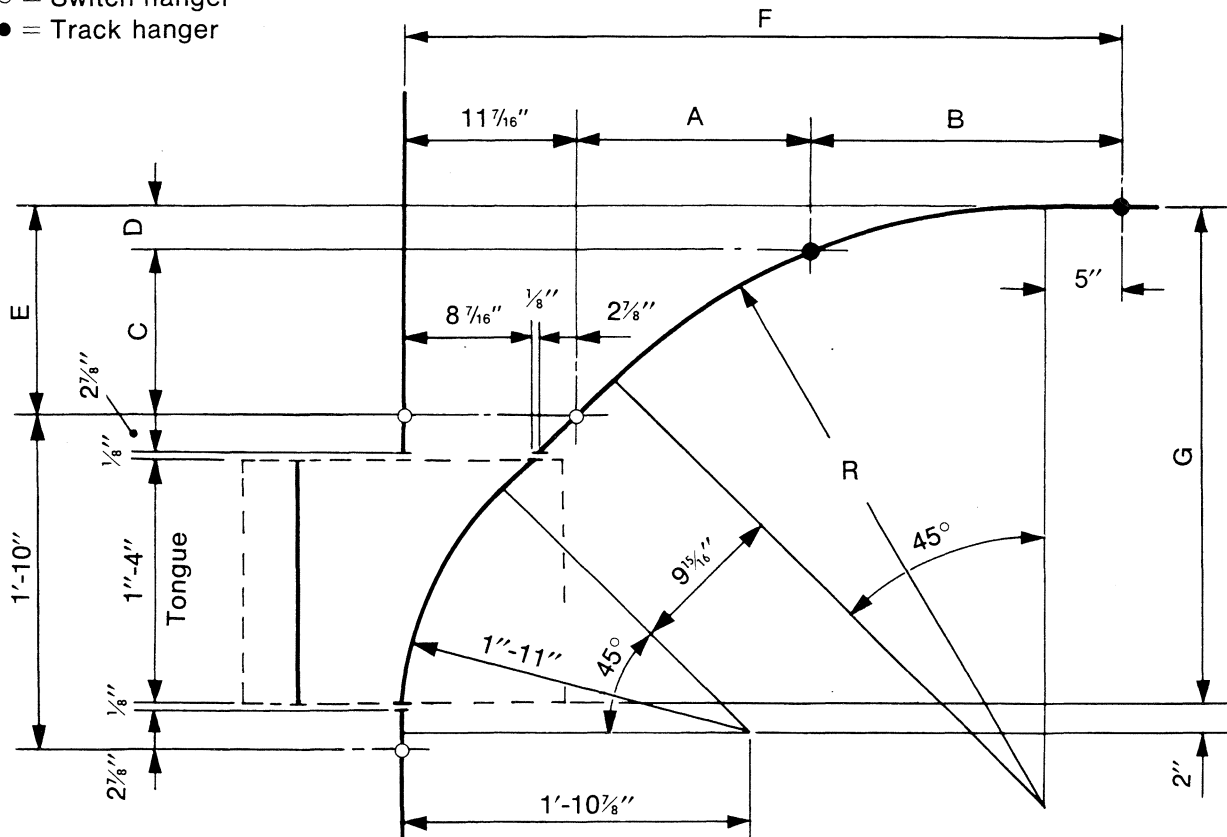
ACCO Material Handling Solutions
76 Acco Drive, Box 792, York, PA 17405-0792
717-741-4863, 800-967-7333, FAX 800-715-8897
E-mail: info@accomhs.com www.accomhs.com

© 2007 FKI Industries Inc.
Printed In USA



Curve and Dimensional Layout Data

- = Switch hanger
- = Track hanger



Curve and Hanger Locations for Non-electrified SUPERTRACK™ Patented Track Sliding Switches.

Cat. No.	Part No.	R	A	B	C	D	E	F	G
602.5093R 602.5093L	28-0247 28-0244	3'-4"	1'-3 1/4"	1'-8 3/8"	0'-10 7/8"	3 1/8"	1'-1 15/16"	3'-11"	2'-8 15/16"
602.5094R 602.5094L	28-0245 30-0665	4'-0"	1'-5 1/8"	1'-11 3/8"	1'-0 1/8"	3 5/8"	1'-4 5/8"	4'-4 5/8"	2'-11 1/8"
602.5095R 602.5095L	30-0666 30-0667	5'-0"	1'-9 1/4"	2'-3 1/8"	1'-3 1/4"	4 1/8"	1'-7 13/16"	5'-1 1/8"	3'-2 1/8"
602.5096R 602.5096L	30-0668 30-0669	6'-0"	2'-1 5/8"	2'-8 3/8"	1'-5 1/8"	5 1/2"	1'-11 3/8"	5'-9 5/8"	3'-6 3/8"
602.5097R 602.5097L	30-0670 30-0671	7'-0"	2'-5 1/2"	3'-1 1/8"	1'-8 1/2"	6 3/8"	2'-2 7/8"	6'-6 1/8"	3'-9 7/8"
602.5098R 602.5098L	30-0672 30-0673	8'-0"	2'-9 3/8"	3'-5 3/4"	1'-11 1/8"	7 1/8"	2'-6 3/8"	7'-2 1/8"	4'-1 3/8"
602.5099R 602.5099L	30-0674 30-0675	10'-0"	3'-5 3/8"	4'-2 1/8"	2'-4 1/4"	9 1/8"	3'-1 3/8"	8'-7 1/8"	4'-8 3/8"

Approximate dimensions are shown. Certified prints furnished on request.



ACCO Material Handling Solutions
76 Acco Drive, Box 792, York, PA 17405-0792
717-741-4863, 800-967-7333, FAX 800-715-8897
E-mail: info@accomhs.com www.accomhs.com

© 2007 FKI Industries Inc.
Printed In USA

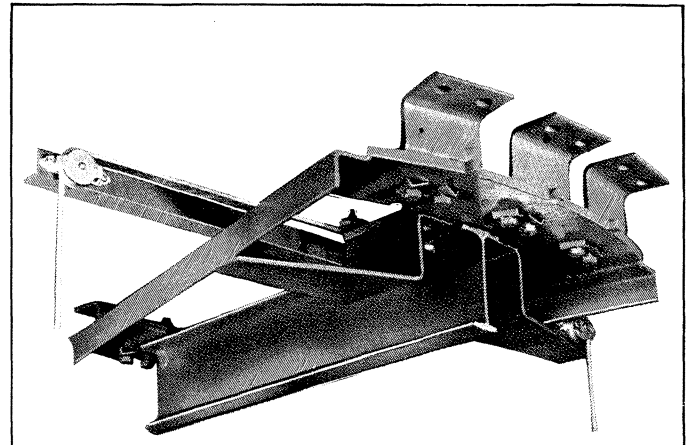
Tongue Switch, Non-electrified

Louden SuperTrack tongue switches are designed to permit one switch to perform four different operations. With only a minimum modification to the operating mechanism, the basic switch may be used as a right-hand, left-hand, wye or three-way tongue switch on non-electrified SuperTrack monorail systems. Conversion to right-hand, left-hand, or three-way switches may be made with no additional parts. Conversion to wye type switches will require the addition of a lock-out and baffle weldment, part number 30-0029.

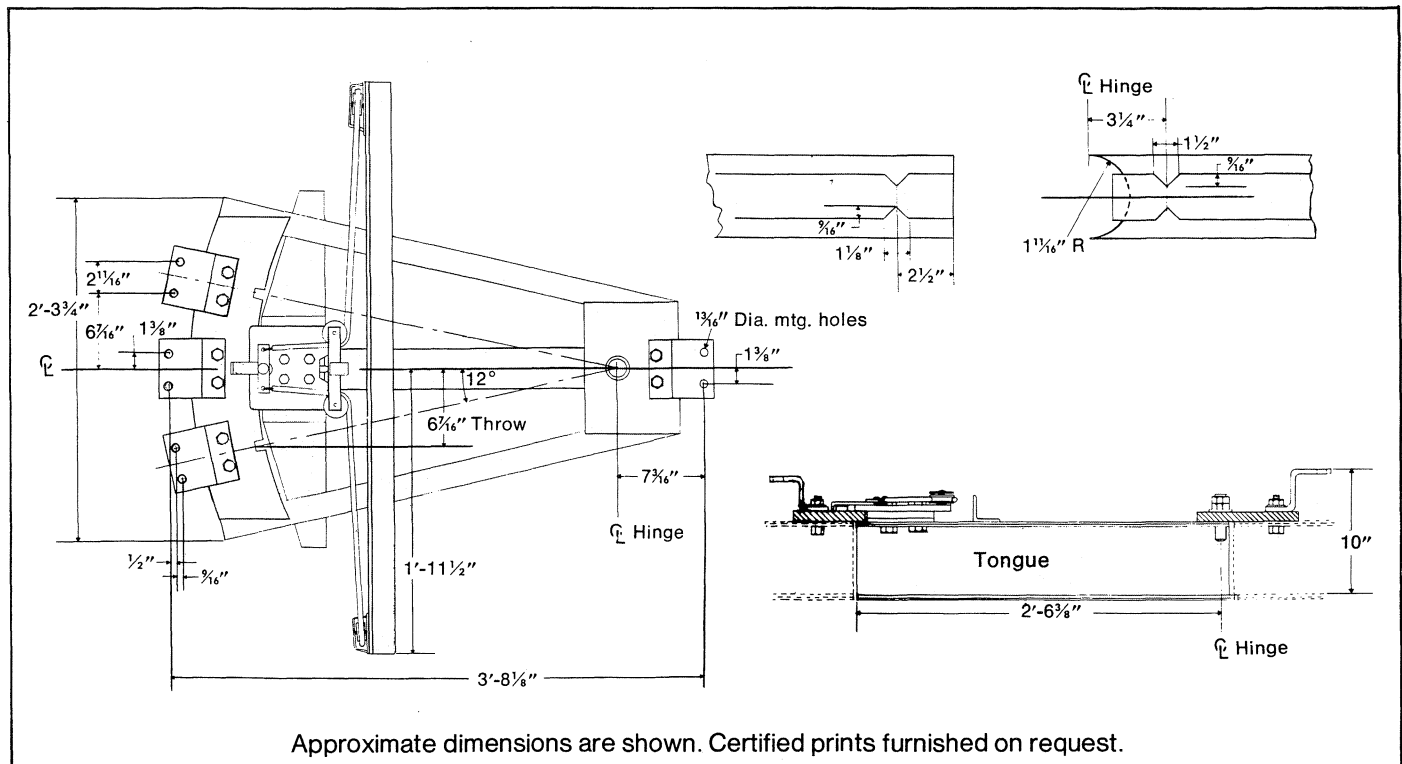
This switch is a complete unit constructed of formed steel with a Louden SuperTrack tongue. For better alignment of the track flange, all tracks are fastened securely to the switch frame. This also prevents any creeping of the track. For a smoother, stronger switch connection, the lead-in track at the pivot end is machined concave, while the switch tongue is machined convex. Open tracks are guarded by a rugged mechanical baffle.

Fifteen foot pull ropes are supplied as standard for operation of the switch operating mechanism. The switch should be connected directly to the superstructure.

Switch Capacity: 3,000 pounds.



Two-Way, No. 703.6330 (28-0385) _____ Wt. 150 lbs.
Three-Way, No. 703.6333 (28-0385) _____ Wt. 150 lbs.
Wye, No. 703.6332 (30-0189) _____ Wt. 150 lbs.





LOUDEN® SWITCHES
FOR USE WITH 3.33" FLANGE SUPERTRACK™ MONORAIL SYSTEMS

703-2
 Issued 9-7-01

Cross Switch, Non-electrified

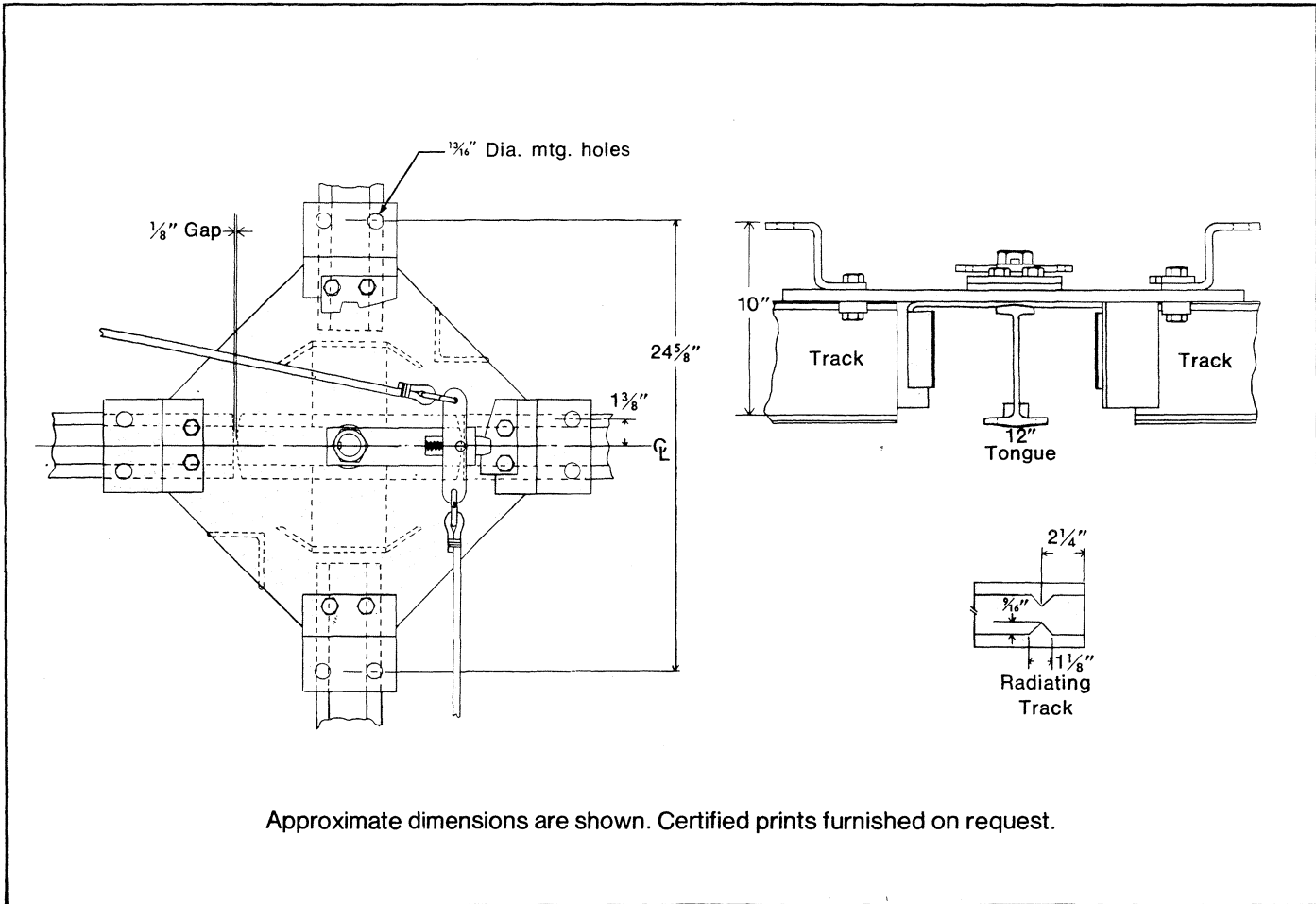
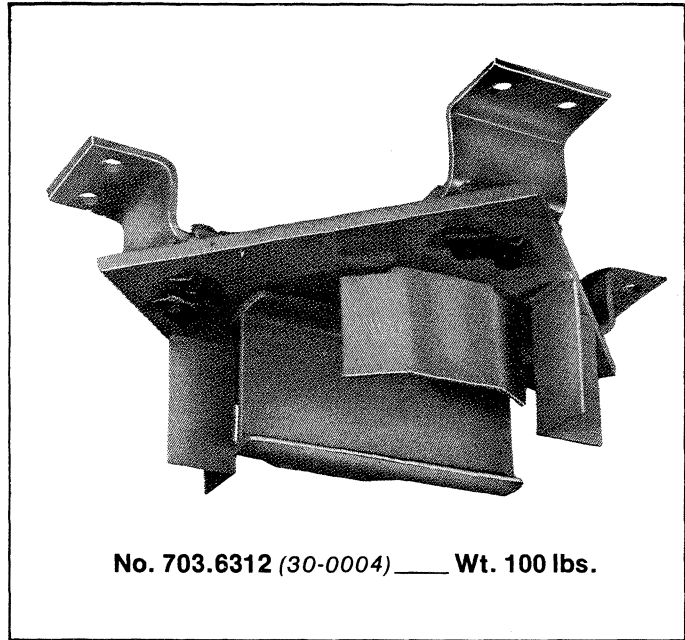
Louden cross-track switches allow two monorail tracks at the same elevation to cross at right angles. The switch is a complete unit constructed of formed steel, with a 12" Louden SuperTrack tongue. For better alignment of the track flanges, all tracks are fastened securely to the switch frame. This also prevents any creeping of the track. Open tracks are guarded by rugged mechanical baffles.

Pulleys are supplied with the switch to be attached to the superstructure at the point most convenient for operation. Fifteen foot pull ropes are supplied as standard for operating the switch.

The switch should be connected directly to the superstructure.

The cross-track switch is not designed to support a load during rotation. Consult the Factory for information on turntables.

Switch Capacity: 3,000 pounds.



ACCO Material Handling Solutions
 76 Acco Drive, Box 792, York, PA 17405-0792
 717-741-4863, 800-967-7333, FAX 800-715-8897
 E-mail: info@accomhs.com www.accomhs.com

© 2007 FKI Industries Inc.
 Printed In USA

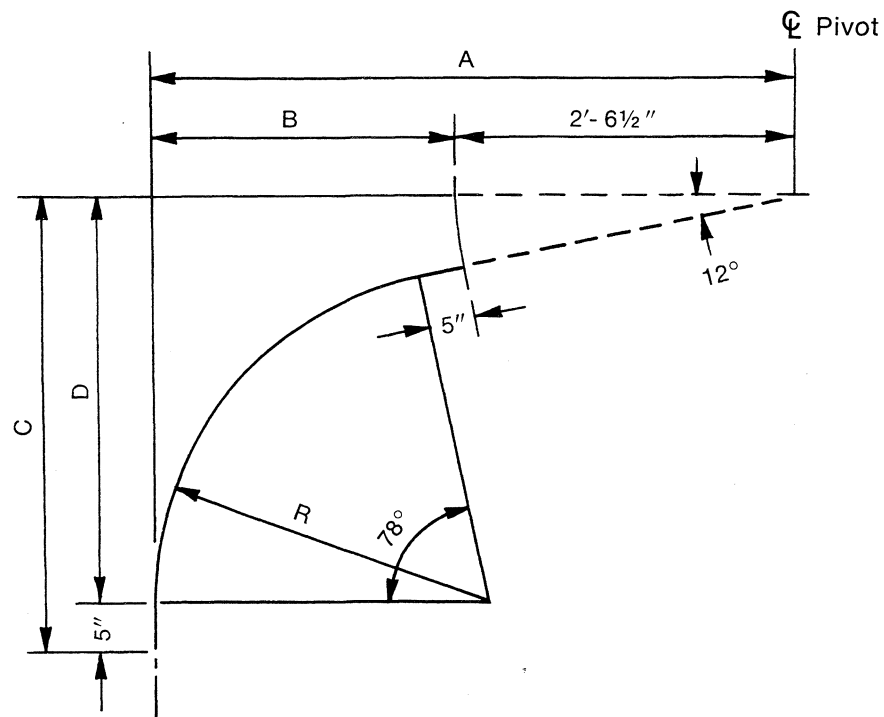
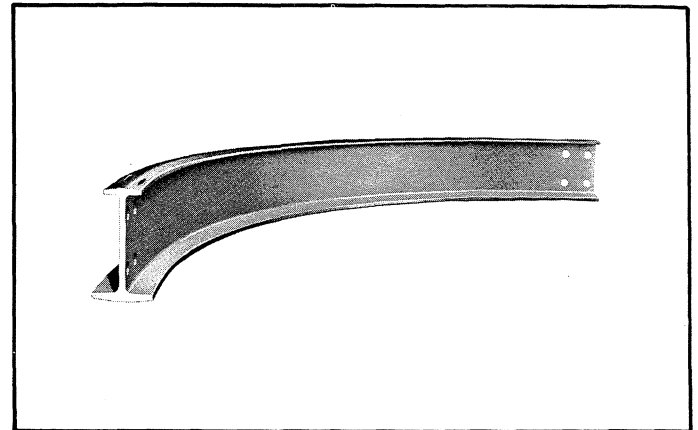


Curve and Dimensional Layout Data

All Louden® SuperTrack™ Patented Track curves are furnished complete, ready for installation into the monorail system. By machine bending at the factory, these curves are formed to close tolerances to fit into the track system and to hold their original shape.

For tongue switches, the top flange of each curve section is punched for a switch adapter. This allows for the best possible alignment and proper clearance for easy switch operation.

Catalog number 603.6083 SuperTrack™ Patented Track curve is standard. All other curved track is available on order.



Cat. No.	Part No.	R	A	B	C	D
603.6083	28-0307	3'-4"	5'-6 ³ / ₈ "	2'-11 ¹ / ₈ "	4'-3 ¹ / ₂ "	3'-10 ¹ / ₂ "
Also available with the following radii						
603.6047	30-0683	3'-0"	5'-3 ³ / ₈ "	2'-8 ¹ / ₈ "	3'-11 ¹ / ₈ "	3'-6 ¹ / ₈ "
603.6048	30-0684	3'-9"	5'-10 ³ / ₈ "	3'-3 ³ / ₈ "	4'-8 ³ / ₈ "	4'-3 ³ / ₈ "
603.6049	30-0685	4'-0"	6'-0 ¹ / ₈ "	3'-6 ³ / ₈ "	4'-11 ¹ / ₈ "	4'-6 ³ / ₈ "
603.6050	30-0686	4'-6"	6'-5 ¹ / ₈ "	3'-10 ¹ / ₈ "	5'-5 ¹ / ₈ "	5'-0 ¹ / ₈ "
603.6051	30-0687	5'-0"	6'-10 ³ / ₈ "	4'-3 ¹ / ₈ "	5'-11 ¹ / ₈ "	5'-6 ¹ / ₈ "
603.6052	30-0688	5'-6"	7'-2 ¹ / ₈ "	4'-8 ³ / ₈ "	6'-4 ¹ / ₈ "	5'-11 ¹ / ₈ "
603.6053	30-0689	6'-0"	7'-7 ¹ / ₈ "	5'-1 ³ / ₈ "	6'-10 ³ / ₈ "	6'-5 ³ / ₈ "

Approximate dimensions are shown. Certified prints furnished on request.



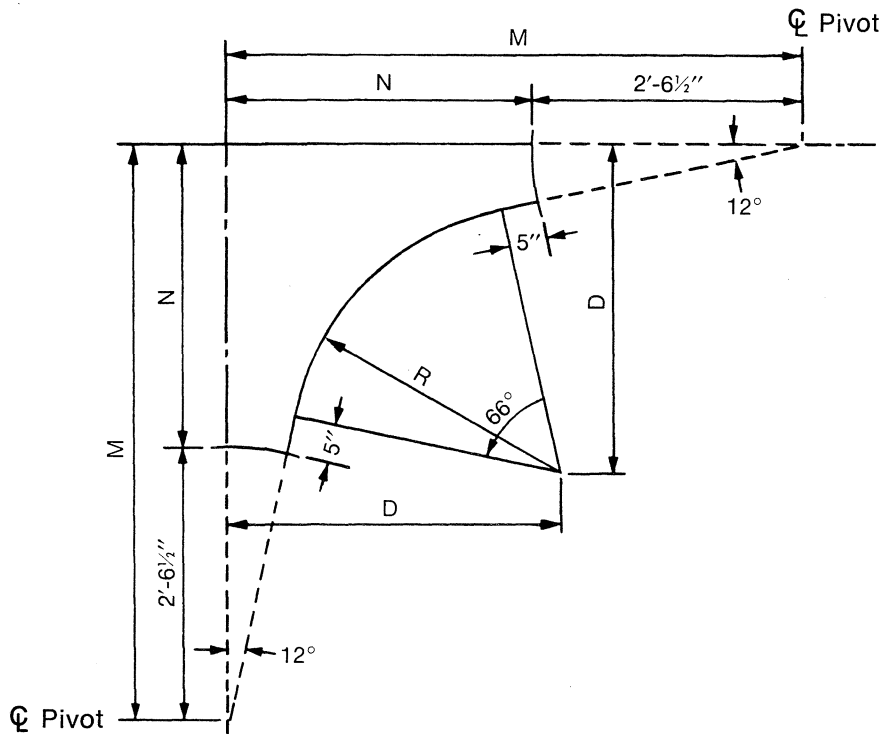
Curve and Dimensional Layout Data

All Louden® SuperTrack™ Patented Track curves are furnished complete, ready for installation into the monorail system. By machine bending at the factory, these curves are formed to close tolerances to fit into the track system and to hold their original shape.

For tongue switches, the top flange of each curve

section is punched for a switch adapter. This allows for the best possible alignment and proper clearance for easy switch operation.

Catalog number 603.6085 SuperTrack™ Patented Track curve is standard. All other curved track is available on order.



Cat. No.	Part No.	R	M	N	D
603.6085	28-0309	3'-4"	6'-0 ⁷ / ₈ "	3'-6 ³ / ₈ "	3'-10 ¹ / ₂ "
Also available with the following radii					
603.6040	30-0676	3'-0"	5'-9 ³ / ₄ "	3'-3 ¹ / ₄ "	3'-6 ¹ / ₈ "
603.6041	30-0677	3'-9"	6'-4 ¹ / ₁₆ "	3'-10 ³ / ₁₆ "	4'-3 ³ / ₈ "
603.6042	30-0678	4'-0"	6'-7"	4'-0 ¹ / ₂ "	4'-6 ³ / ₈ "
603.6043	30-0679	4'-6"	6'-11 ⁵ / ₈ "	4'-5 ⁵ / ₈ "	5'-0 ³ / ₈ "
603.6044	30-0680	5'-0"	7'-4 ¹ / ₄ "	4'-9 ³ / ₄ "	5'-6 ¹ / ₈ "
603.6045	30-0681	5'-6"	7'-8 ¹ / ₁₆ "	5'-2 ¹ / ₈ "	5'-11 ¹ / ₁₆ "
603.6046	30-0682	6'-0"	8'-1 ¹ / ₂ "	5'-7"	6'-5 ¹ / ₈ "

Approximate dimensions are shown. Certified prints furnished on request.

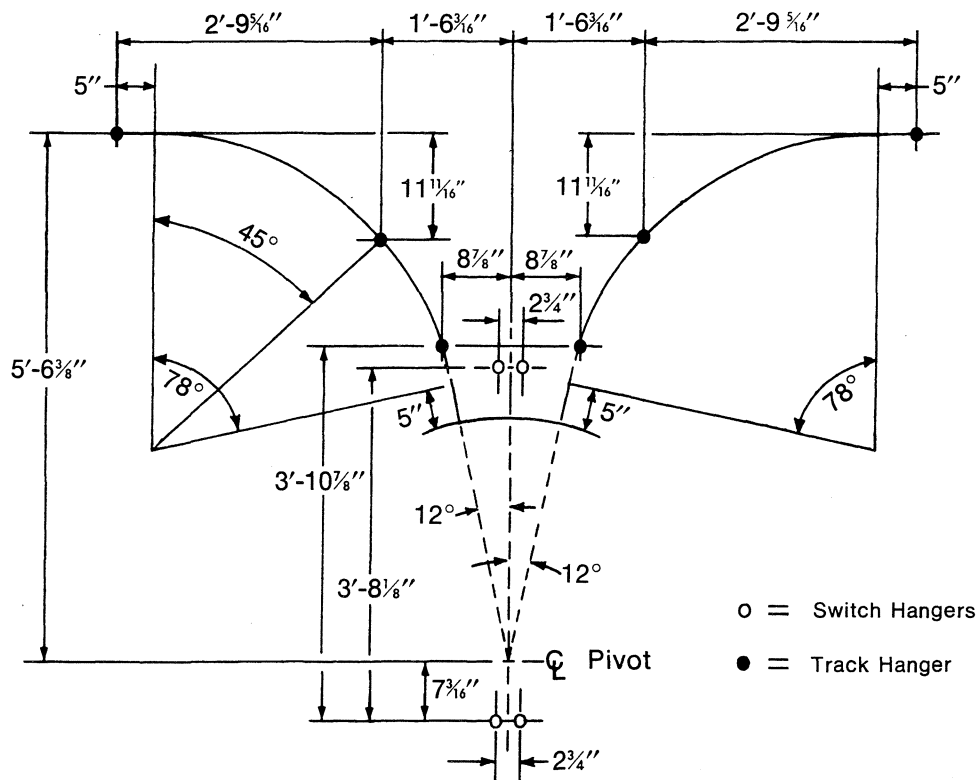




Hanger and Switch Locations for 3.33" Flange SuperTrack™ Patented Track Tongue Switches

The following track plans should be used to determine track layouts and hanger locations when using SuperTrack™ Patented Track tongue switches. Three way switches are shown; however, all dimensions will be the same when using two-way and wye tongue switches.

All switch hangers have 13/16" diameter mounting holes, and all curves shown have standard 3'-4" radii with 5" of straight track at both ends.



Track Plan for 78° Radius Curves

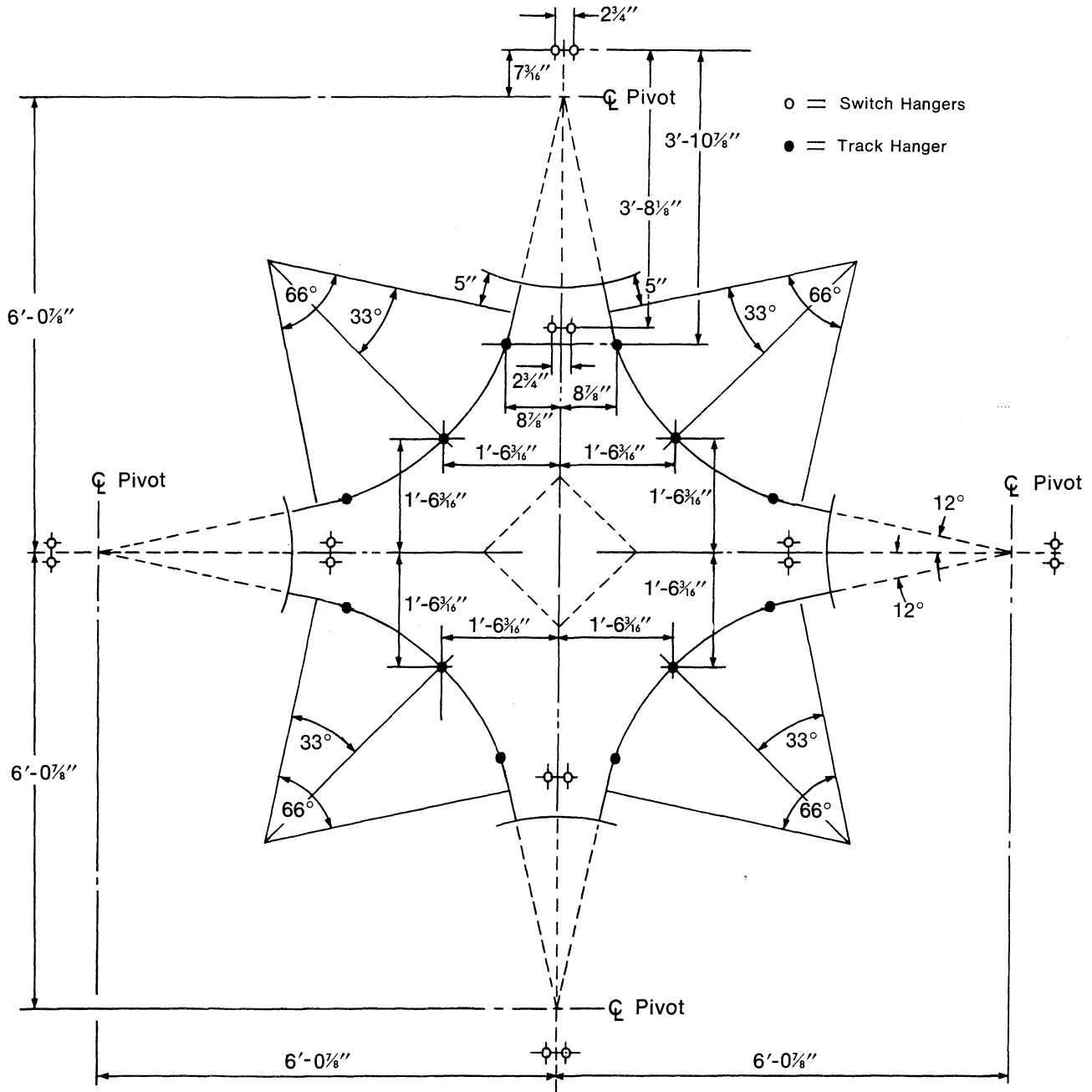
Approximate dimensions are shown. Certified prints furnished on request.



LOUDEN® SWITCHES
FOR USE WITH 3.33" FLANGE SUPERTRACK™ PATENTED TRACK
MONORAIL SYSTEMS

703-6
 Issued 9-7-01

Hanger and Switch Locations for 3.33" Flange SuperTrack™ Patented Track Tongue Switches



Track Plan for 66° Radius Curves

Approximate dimensions are shown. Certified prints furnished on request.



ACCO Material Handling Solutions
 76 Acco Drive, Box 792, York, PA 17405-0792
 717-741-4863, 800-967-7333, FAX 800-715-8897
 E-mail: info@accomhs.com www.accomhs.com

© 2007 FKI Industries Inc.
 Printed in USA



Non-Electrified SuperTrack Sliding Switches

Louden non-electrified SuperTrack sliding switches are available in three configurations to adapt to most monorail layouts. These medium duty switches are available as two-way, three-way, and wye switches. Sliding switches are used in monorail systems where close switch grouping is required.

Two-way switches are used when a branch line monorail connects with the main line of track at an angle. The switch may be furnished for either right or left hand operation.

Wye switches are used where one main line monorail track branches off at angles on both sides of the switch.

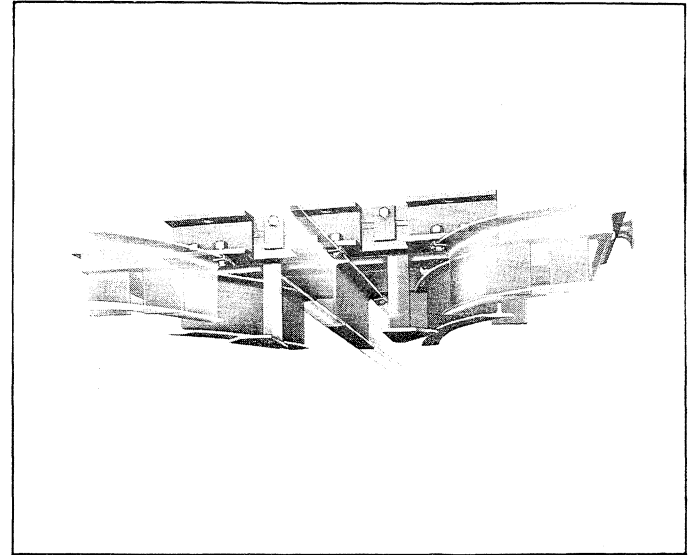
Three-way switches are used where there are two spur lines branching off at angles on both sides of the main monorail track.

The frame for these switches consists of welded heavy structural steel members with the carriage mounted on rollers for smooth, easy operation. Heavy structural steel baffles are welded to the switch carriage to protect open tracks. Incoming tracks are bolted to the switch to insure perfect alignment.

Fifteen foot pull ropes are furnished as standard for switch operation. The switch should be connected directly to the superstructure.

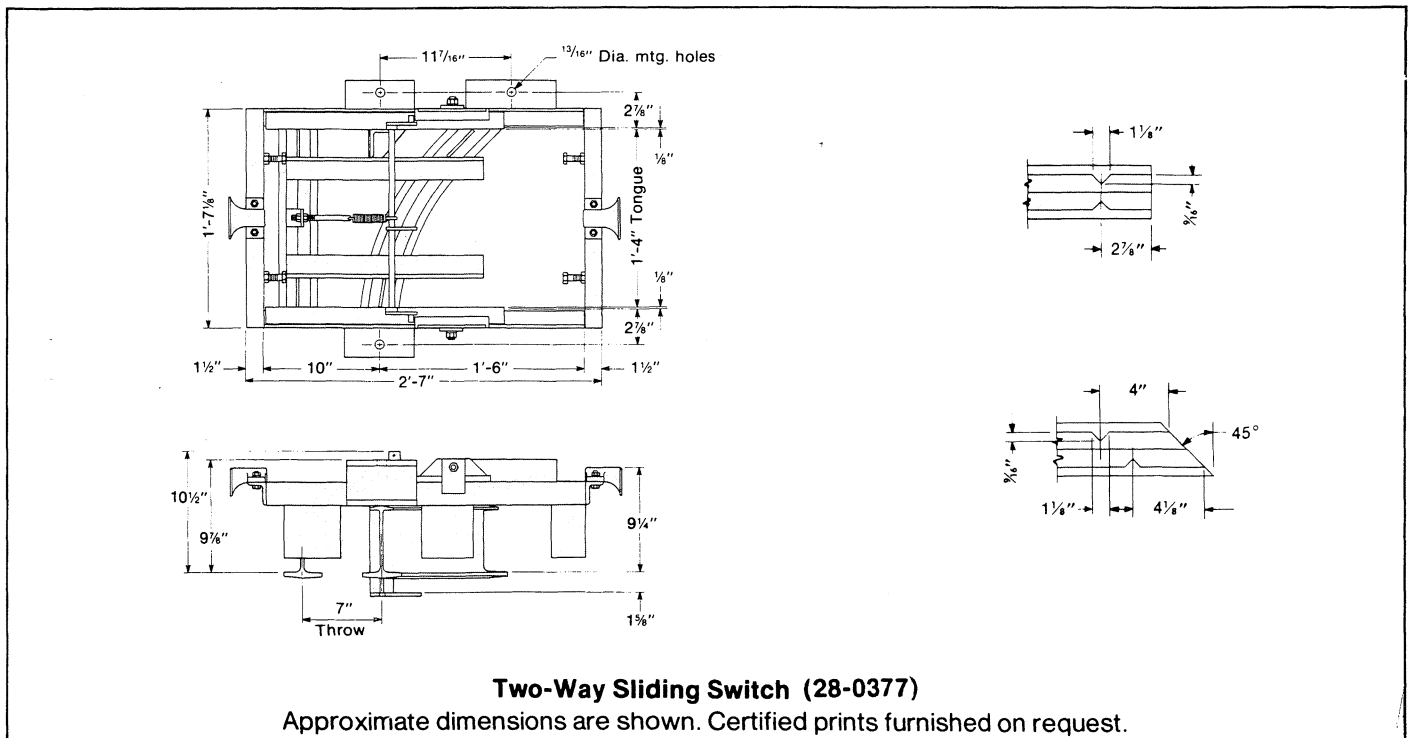
These switches are not to be used with *MotoVeyors*.

Switch Capacity: 5,000 pounds



Manually Operated

Right Hand	703.7011R (28-0377) 135 lbs.
Left Hand	703.7011L (28-0378) 135 lbs.
Wye	703.7012 (28-0379) 156 lbs.
Three-Way	703.7013 (28-0380) 210 lbs.





**LOUDEN® SWITCHES
FOR USE WITH 3.33" FLANGE SUPERTRACK™ PATENTED TRACK
MONORAIL SYSTEMS**

703-10
Issued 9-7-01

**Electrified SuperTrack™ Patented Track
Sliding Switches**

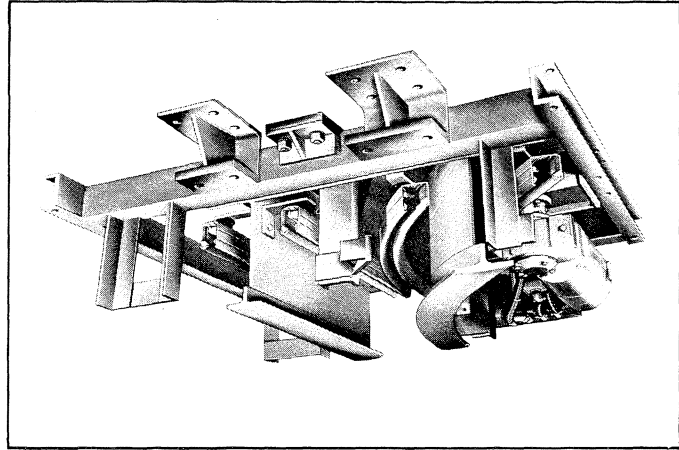
Louden® electrified SuperTrack™ Patented Track sliding switches are available in three configurations to adapt to most monorail layouts, and may be operated manually, by electric motor, or by air cylinders. These switches are available as two-way, three-way and wye. Sliding switches are designed to be used with Louden® motorized carriers equipped with SuperTrack™ Patented Track trolleys.

Two-way switches are used when a branch line monorail line connects with the main line of track at an angle. The switch may be furnished for either right or left hand operation. Wye switches are used where one main line monorail track branches off at angles on both sides of the switch.

Three-way switches are used where there are two spur lines branching off at angles on both sides of the main monorail track.

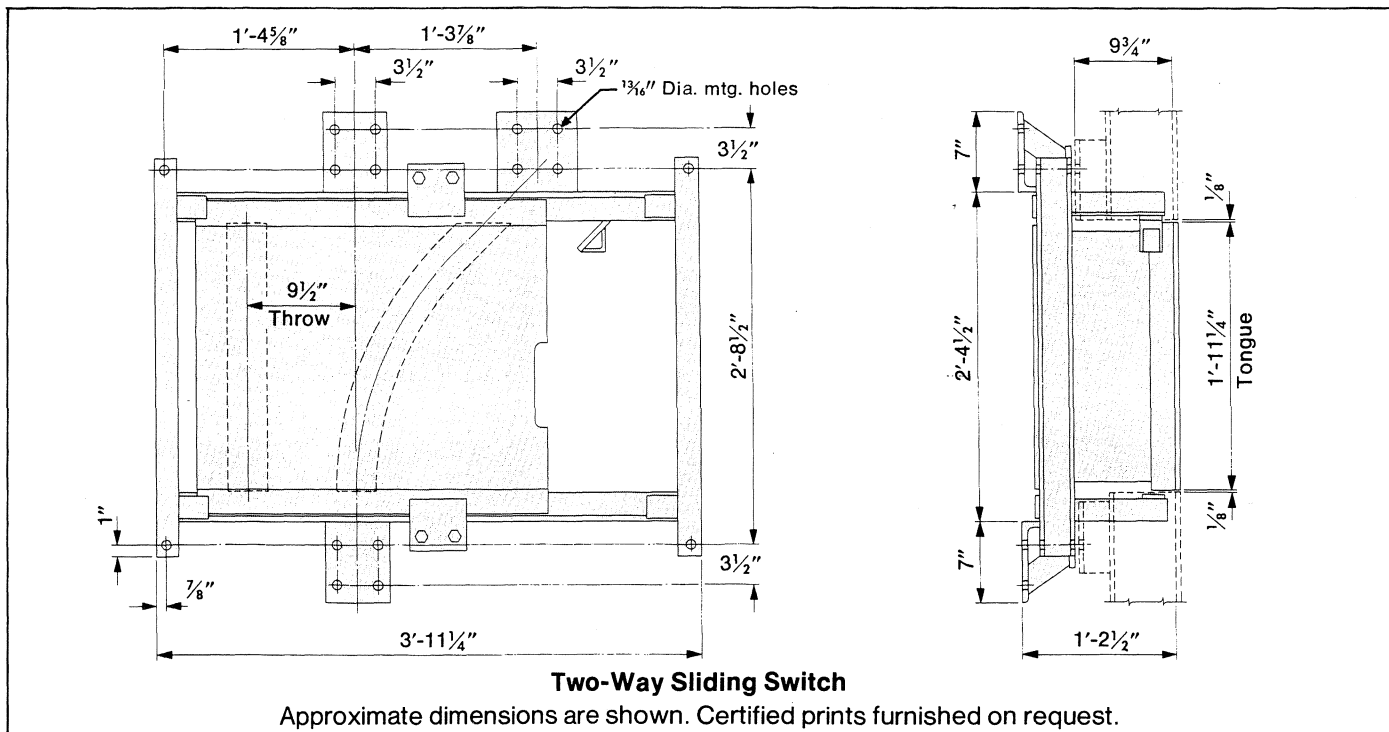
The switch frame is constructed of heavy structural steel members welded together to form a solid, one-piece unit that cannot rack or warp. The carriage is mounted on rollers to provide quick, smooth operation. Positive latches hold the switch carriage securely in place during operation. Accurate alignment of conductors and track is permitted by securely clamping both to the switch frame. Open tracks are guarded by heavy structural steel baffles welded to the switch carriage.

The switch should be connected directly to the superstructure.



Switch Capacity: 10,000 pounds.

Type	Manual	Motor	Air
Right Hand	703.7221R (28-0462) 504 lbs.	703.7225R (30-0699) 590 lbs.	703.7227R (30-0702) 554 lbs.
Left Hand	703.7221L (28-0467) 504 lbs.	703.7225L (30-0700) 590 lbs.	703.7227L (30-0703) 554 lbs.
Wye	703.7222 (28-0468) 616 lbs.	703.7226 (30-0701) 706 lbs.	703.7228 (30-0704) 675 lbs.
Three-Way	703.7223 (30-0698) 825 lbs.		703.7229 (30-0705) 905 lbs.



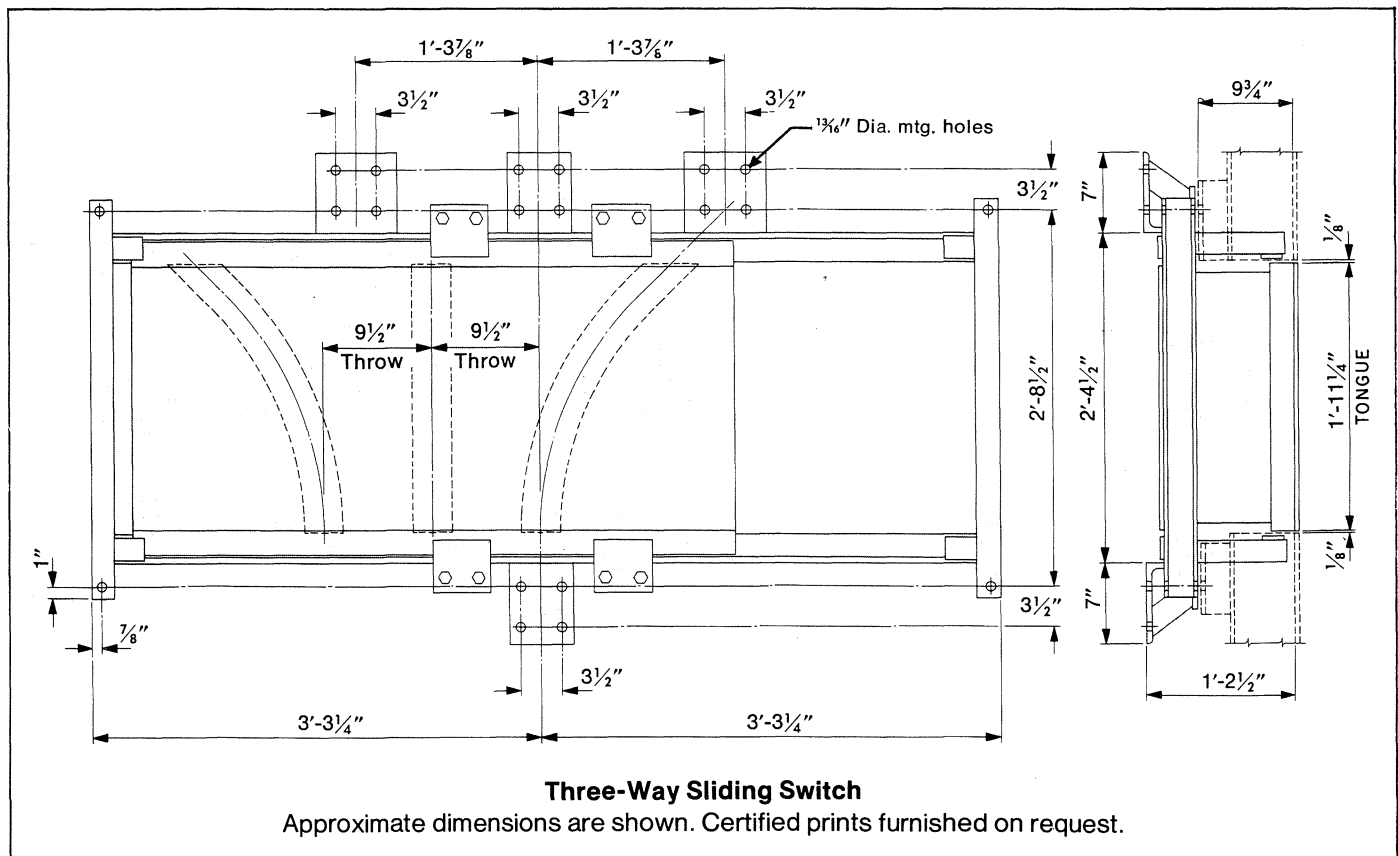
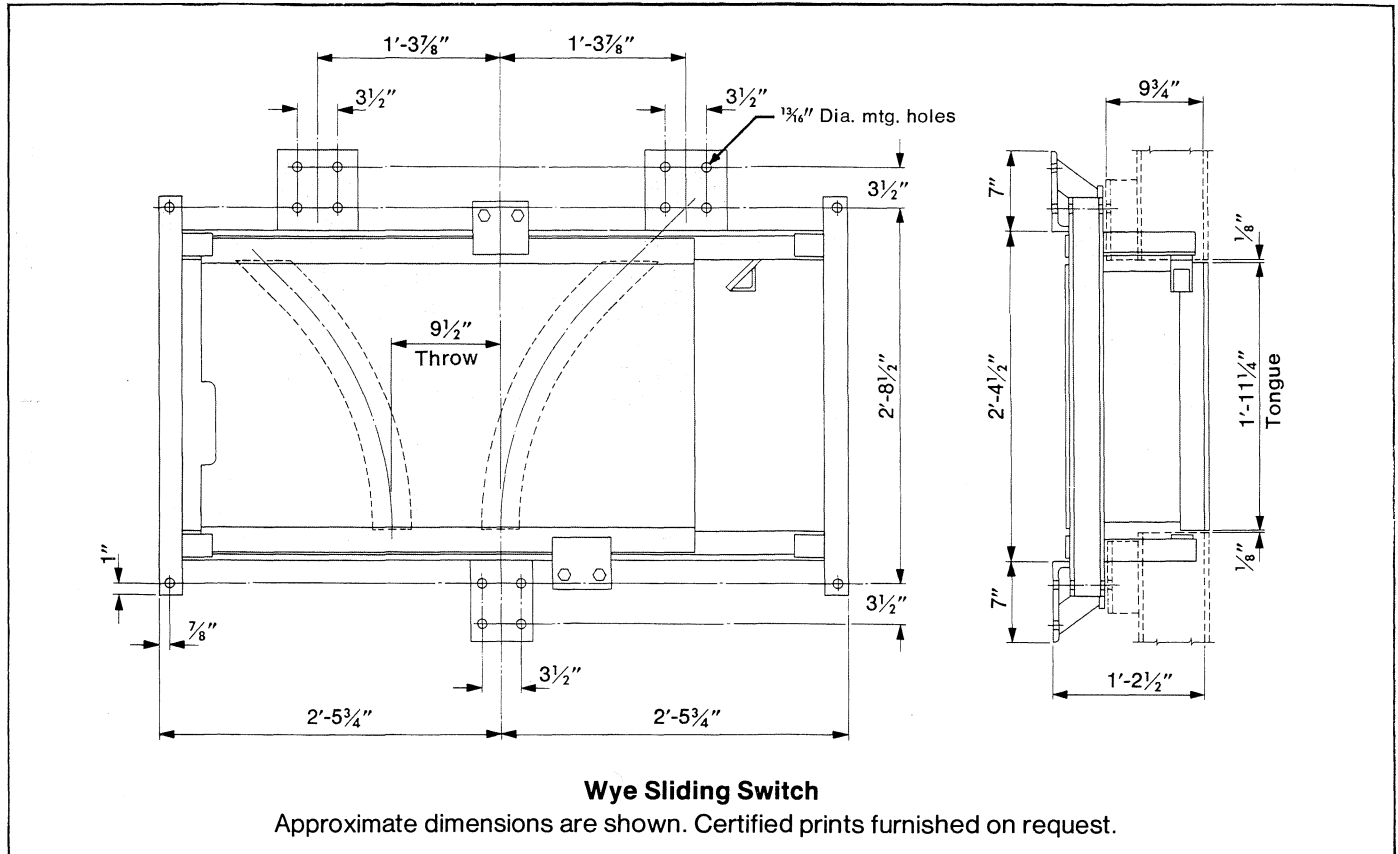
ACCO Material Handling Solutions
76 Acco Drive, Box 792, York, PA 17405-0792
717-741-4863, 800-967-7333, FAX 800-715-8897
E-mail: info@accomhs.com www.accomhs.com

© 2007 FKI Industries Inc.
Printed In USA



LOUDEN® SWITCHES
FOR USE WITH 3.33" FLANGE SUPERTRACK™ PATENTED TRACK
MONORAIL SYSTEMS

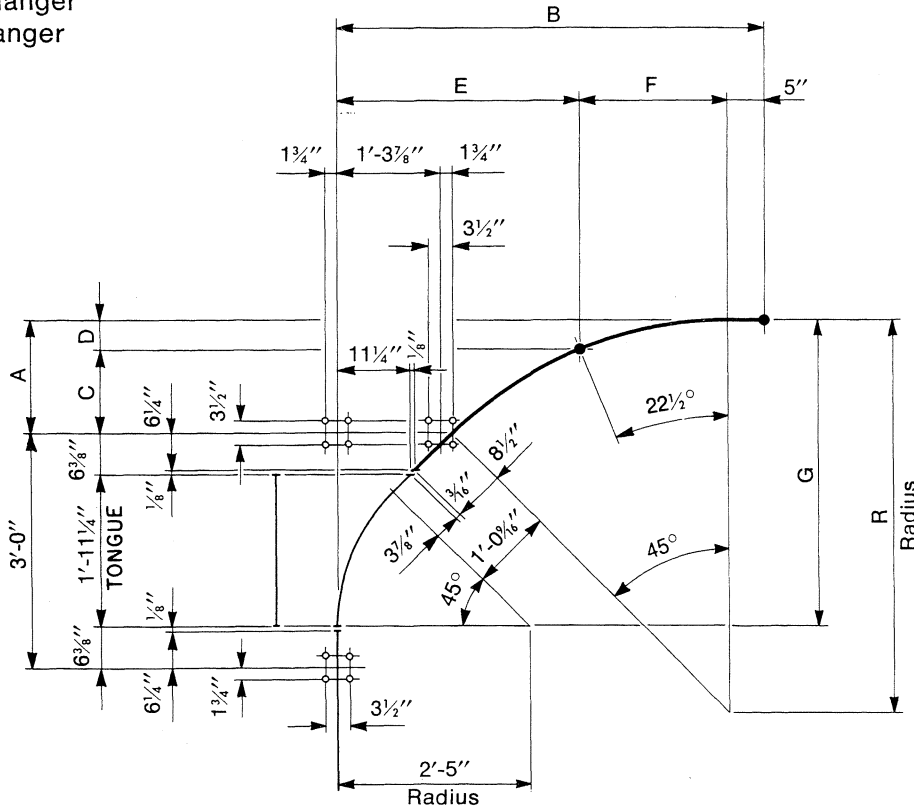
703-11
Issued 9-7-01





Curve and Dimensional Layout Data

- = Switch hanger
- = Track hanger



Curve and Hanger Locations for Heavy Duty, Electrified SuperTrack Sliding Switches

Cat. No.	Part No.	R	A	B	C	D	E	F	G
603.6286R 603.6286L	28-0460 28-0459	3'-4"	11 1/2"	4'-2 5/8"	8 1/6"	3 1/6"	2'-6 3/6"	1'-3 3/6"	3'-5 1/8"
603.6287R 603.6287L	28-0461 28-0463	4'-0"	1'-1 13/16"	4'-8 3/6"	10 3/6"	3 5/8"	2'-8 15/6"	1'-6 3/8"	3'-7 1/6"
603.6288R 603.6288L	28-0464 28-0465	5'-0"	1'-5 3/8"	5'-4 13/6"	1'-0 1/6"	4 1/6"	3'-0 7/8"	1'-10 15/6"	3'-11"
603.6289R 603.6289L	28-0466 28-0458	6'-0"	1'-8 3/8"	6'-1 1/4"	1'-3 3/8"	5 1/2"	3'-4 11/6"	2'-3 3/6"	4'-2 1/2"
603.6290R 603.6290L	28-0469 28-0470	7'-0"	2'-0 3/8"	6'-9 3/4"	1'-6"	6 3/8"	3'-8 5/8"	2'-8 1/8"	4'-6"
603.6291R 603.6291L	28-0515 28-0516	8'-0"	2'-3 3/8"	7'-6 1/4"	1'-8 3/6"	7 3/6"	4'-0 1/2"	3'-0 3/4"	4'-9 1/2"
603.6292R 603.6292L	28-0317 28-0316	10'-0"	2'-10 15/6"	8'-11 1/4"	2'-1 13/6"	9 1/8"	4'-8 5/6"	3'-9 15/6"	5'-4 3/6"

Approximate dimensions are shown. Certified prints furnished on request.





LOUDEN® SWITCHES
FOR USE WITH 3.33" FLANGE TROJANTRACK™ MONORAIL SYSTEMS

703T-13
 Issued 9-7-01

Electrified TrojanTrack Sliding Switches

Louden electrified TrojanTrack sliding switches are available in three configurations to adapt to most monorail layouts, and may be operated manually, by electric motor, or by air cylinders. These switches are available as two-way, wye, and three-way (air operated only). TrojanTrack sliding switches are designed to be used with Louden motorized carriers operating on TrojanTrack monorail systems.

Two-way switches are used when a branch line monorail line connects with the main line of track at an angle. The switch may be furnished for either right or left hand operation.

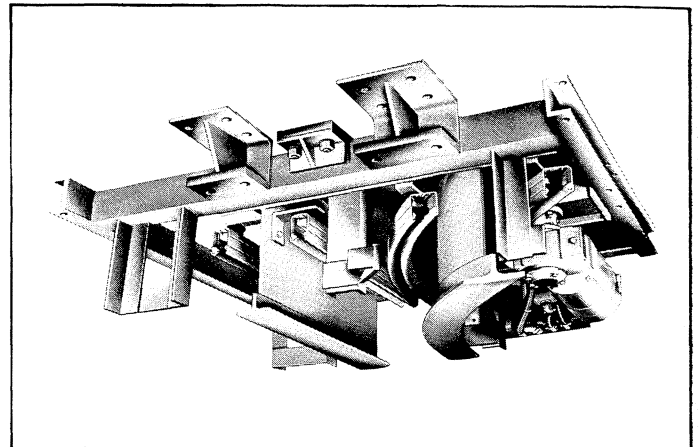
Wye switches are used where one main line monorail track branches off at angles on both sides of the switch.

Three-way switches are used where there are two spur lines branching off at angles on both sides of the main monorail track.

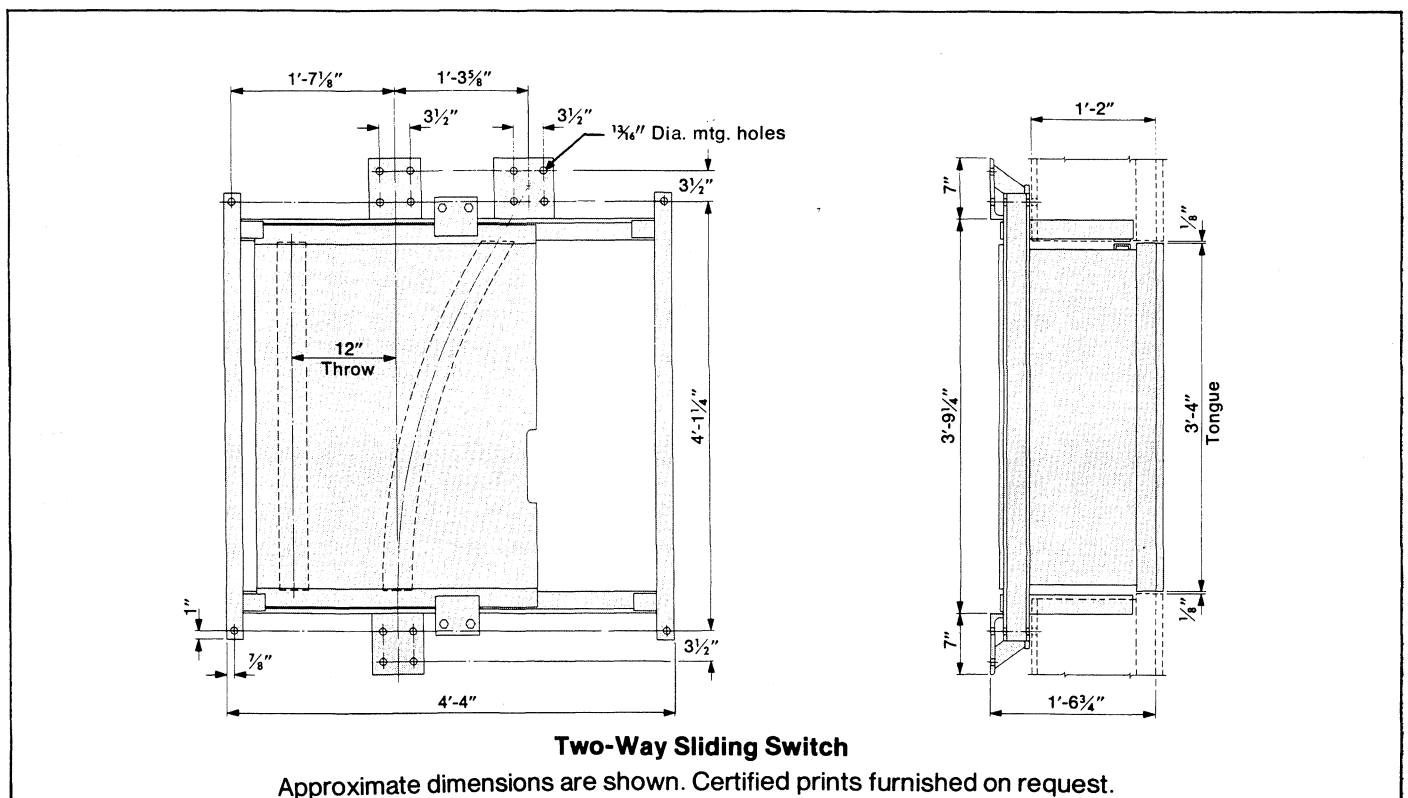
The switch frame is constructed of heavy structural steel members, welded together to form a solid, one-piece unit that cannot rack or warp. The carriage is mounted on rollers to provide quick, smooth operation. Positive latches hold the switch carriage securely in place during operation. Accurate alignment of conductors and track is insured by securely clamping both to the switch frame. Open tracks are guarded by heavy structural steel baffles welded to the switch frame.

The switch should be connected directly to the super-structure.

Switch Capacity: 15,000 pounds.



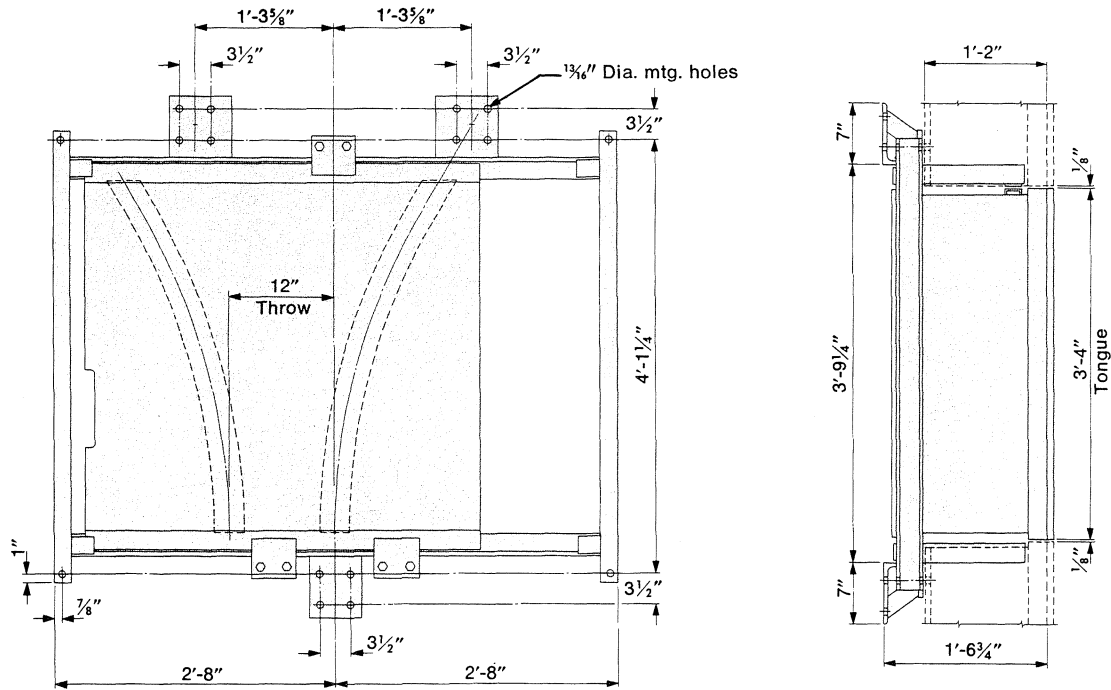
Type	Manual	Motor	Air
Right Hand	703.7131R (30-0706) 785 lbs.	703.7135R (30-0710) 905 lbs.	703.7137R (30-0713) 855 lbs.
Left Hand	703.7131L (30-0707) 785 lbs.	703.7135L (30-0711) 905 lbs.	703.7137L (30-0714) 855 lbs.
Wye	703.7132 (30-0708) 1050 lbs.	703.7136 (30-0712) 1170 lbs.	703.7138 (30-0715) 1120 lbs.
Three-Way			703.7139 (30-0716) 1385 lbs.





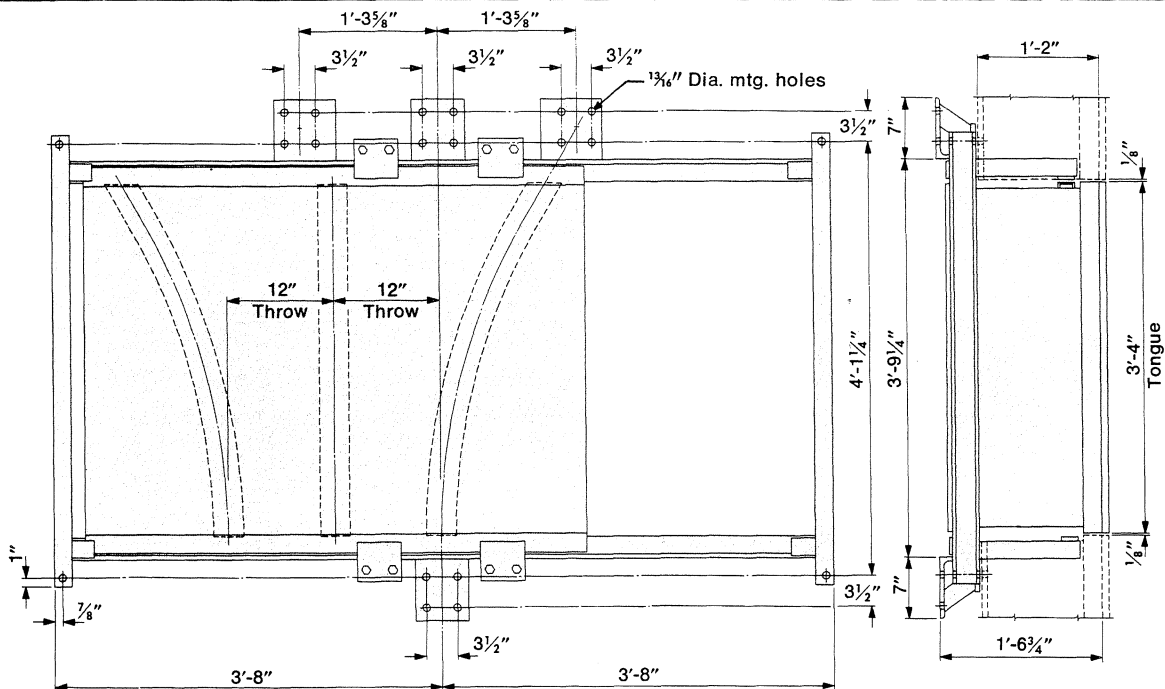
LOUDEN® SWITCHES
FOR USE WITH 3.33" FLANGE TROJANTRACK™ MONORAIL SYSTEMS

703T-14
Issued 9-7-01



Wye Sliding Switch

Approximate dimensions are shown. Certified prints furnished on request.



Three-Way Sliding Switch (air operated only)

Approximate dimensions are shown. Certified prints furnished on request.



ACCO Material Handling Solutions
76 Acco Drive, Box 792, York, PA 17405-0792
717-741-4863, 800-967-7333, FAX 800-715-8897
E-mail: info@accomhs.com www.accomhs.com

© 2007 FKI Industries Inc.
Printed In USA

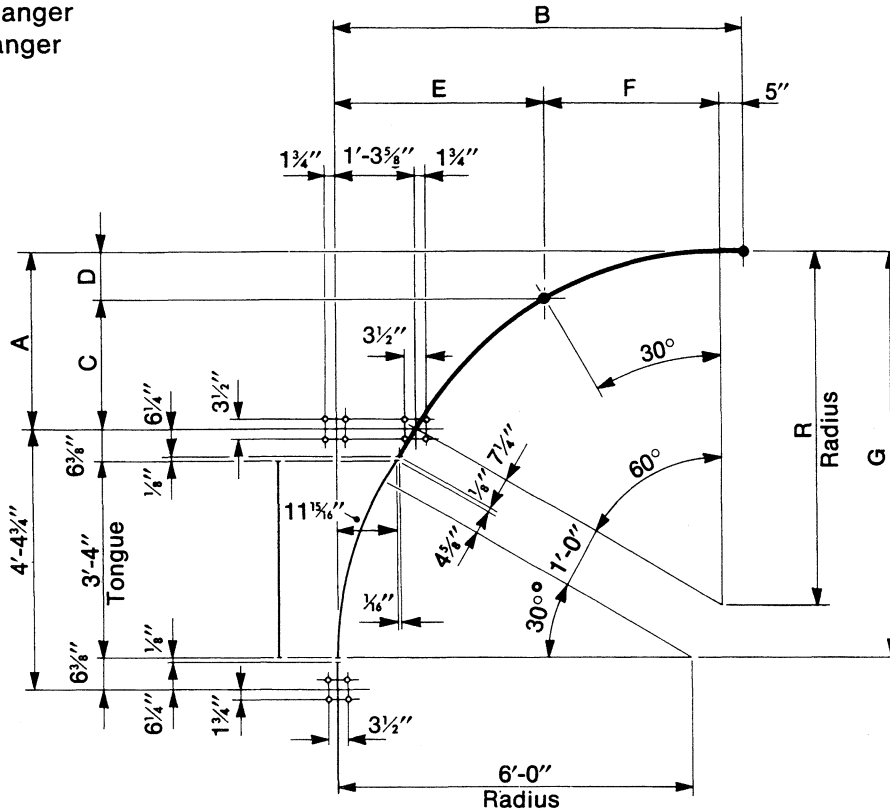


LOUDEN® SWITCHES
FOR USE WITH 3.33" FLANGE TROJANTRACK™ GIRDER TRACK
MONORAIL SYSTEMS

703T-15
 Issued 9-7-01

Curve and Dimensional Layout Data

- = Switch hanger
- = Track hanger



Curve and Hanger Locations for Heavy Duty, Electrified TrojanTrack Sliding Switches

Cat. No.	Part No.	R	A	B	C	D	E	F	G
605.7150-R	30-0717	6'-0"	3'-0"	6'-11"	2'-2 ³ / ₈ "	9 ⁵ / ₈ "	3'-6"	3'-0"	6'-10 ³ / ₈ "
605.7150-L	30-0724	6'-0"	3'-0"	6'-11"	2'-2 ³ / ₈ "	9 ⁵ / ₈ "	3'-6"	3'-0"	6'-10 ³ / ₈ "
605.7151-R	30-0718	7'-0"	3'-6"	7'-9 ³ / ₈ "	2'-6 ³ / ₄ "	11 ¹ / ₄ "	3'-10 ³ / ₈ "	3'-6"	7'-4 ³ / ₈ "
605.7151-L	30-0725	7'-0"	3'-6"	7'-9 ³ / ₈ "	2'-6 ³ / ₄ "	11 ¹ / ₄ "	3'-10 ³ / ₈ "	3'-6"	7'-4 ³ / ₈ "
605.7152-R	30-0719	8'-0"	4'-0"	8'-7 ³ / ₄ "	2'-11 ¹ / ₈ "	1'-0 ⁵ / ₈ "	4'-2 ³ / ₄ "	4'-0"	7'-10 ³ / ₈ "
605.7152-L	30-0726	8'-0"	4'-0"	8'-7 ³ / ₄ "	2'-11 ¹ / ₈ "	1'-0 ⁵ / ₈ "	4'-2 ³ / ₄ "	4'-0"	7'-10 ³ / ₈ "
605.7153-R	30-0720	9'-0"	4'-6"	9'-6 ¹ / ₈ "	3'-3 ¹ / ₂ "	1'-2 ¹ / ₂ "	4'-7 ¹ / ₈ "	4'-6"	8'-4 ³ / ₈ "
605.7153-L	30-0727	9'-0"	4'-6"	9'-6 ¹ / ₈ "	3'-3 ¹ / ₂ "	1'-2 ¹ / ₂ "	4'-7 ¹ / ₈ "	4'-6"	8'-4 ³ / ₈ "
605.7154-R	30-0721	10'-0"	5'-0"	10'-4 ¹ / ₈ "	3'-7 ¹ / ₈ "	1'-4 ¹ / ₈ "	4'-11 ¹ / ₈ "	5'-0"	8'-10 ³ / ₈ "
605.7154-L	30-0728	10'-0"	5'-0"	10'-4 ¹ / ₈ "	3'-7 ¹ / ₈ "	1'-4 ¹ / ₈ "	4'-11 ¹ / ₈ "	5'-0"	8'-10 ³ / ₈ "
605.7155-R	30-0722	11'-0"	5'-6"	11'-2 ¹ / ₈ "	4'-0 ¹ / ₈ "	1'-5 ¹ / ₈ "	5'-3 ¹ / ₈ "	5'-6"	9'-4 ³ / ₈ "
605.7155-L	30-0729	11'-0"	5'-6"	11'-2 ¹ / ₈ "	4'-0 ¹ / ₈ "	1'-5 ¹ / ₈ "	5'-3 ¹ / ₈ "	5'-6"	9'-4 ³ / ₈ "
605.7156-R	30-0723	12'-0"	6'-0"	12'-1 ¹ / ₈ "	4'-4 ¹ / ₈ "	1'-7 ³ / ₈ "	5'-8 ³ / ₈ "	6'-0"	9'-10 ³ / ₈ "
605.7156-L	30-0730	12'-0"	6'-0"	12'-1 ¹ / ₈ "	4'-4 ¹ / ₈ "	1'-7 ³ / ₈ "	5'-8 ³ / ₈ "	6'-0"	9'-10 ³ / ₈ "

All Trojan Track curves will be constructed from 605.1235 rail with a five foot minimum radius and a 90° maximum bend. No compound curves (reverse bends) will be furnished.

Approximate dimensions are shown. Certified prints furnished on request.



ACCO Material Handling Solutions
76 Acco Drive, Box 792, York, PA 17405-0792
717-741-4863, 800-967-7333, FAX 800-715-8897
E-mail: info@accomhs.com www.accomhs.com

© 2007 FKI Industries Inc.
Printed In USA

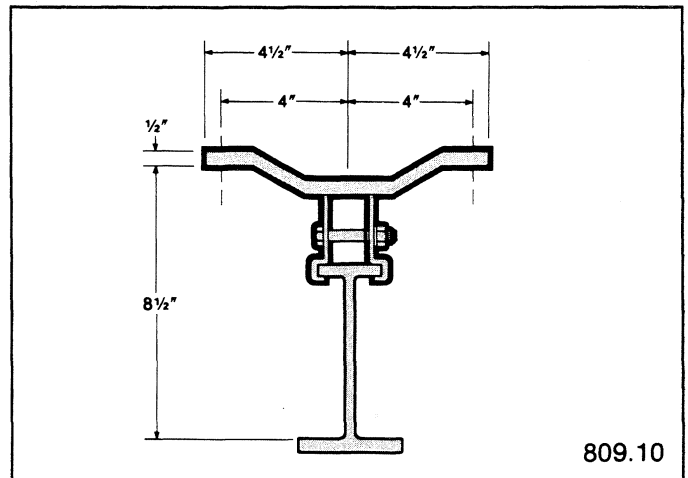
**WARNING Disconnect Power
Before Working on or Near Any
Electrical Components.**

Louden® Conductor Bar Support Brackets are designed to mount all electrification systems offered by the Material Handling Group to Louden® monorail and crane tracks at the proper location for optimum performance of the system. Bottom entry electrification types are supported at 8½" above the track tread in systems with Louden® trolley wheel tread diameters up to and including 4½", and at 12" above the track tread with 9" diameter Louden® trolley wheels. Electrification system types cannot be intermixed.

All bottom entry electrification systems offered by the Material Handling Group require that Conductor Bar Support Brackets be provided on maximum 5' centers for straight runs. Monorail curves require at least one additional bracket for each 45° of bend, but electrification support centers are not to exceed 4' on curves. Louden® conductor Bar Support Brackets do not include Support Insulators nor Hanger Clamp Assemblies. These are shown with the individual electrification systems.

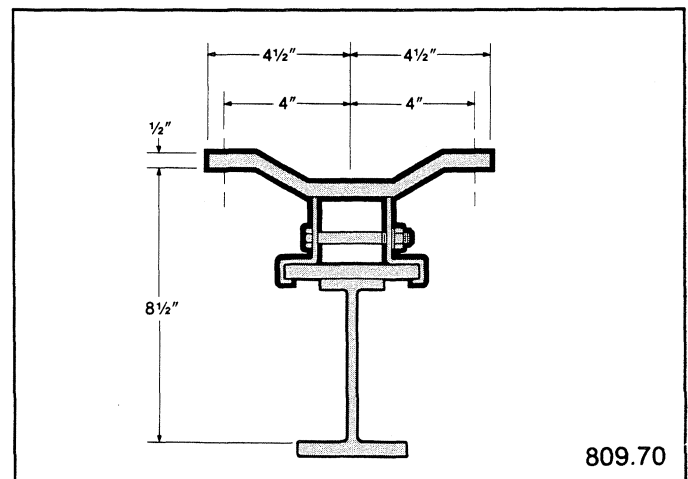
809.10 (28-0400), Wt. 1.25 lbs.

For 4-wire (2-run) dual conductor bottom entry electrification at 8½" above the track tread of 603.6 SuperTrack™ Patented Track.



809.70 (28-0404), Wt. 1.4 lbs.

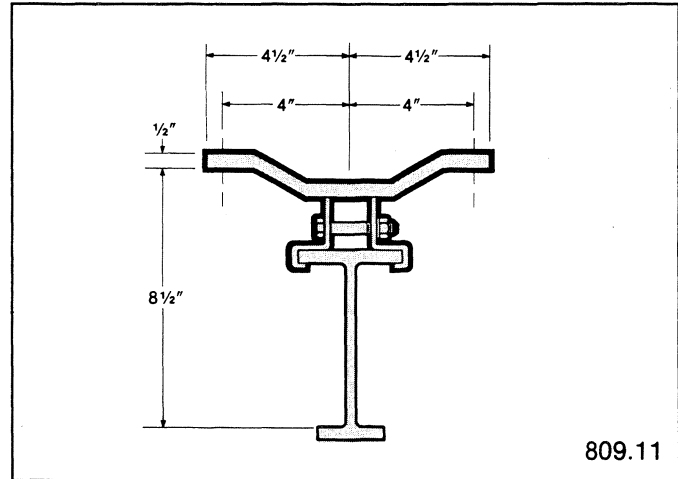
For 4-wire (2-run) dual conductor electrification or 2-wire single conductor bottom entry electrification on 603.7 capped SuperTrack.





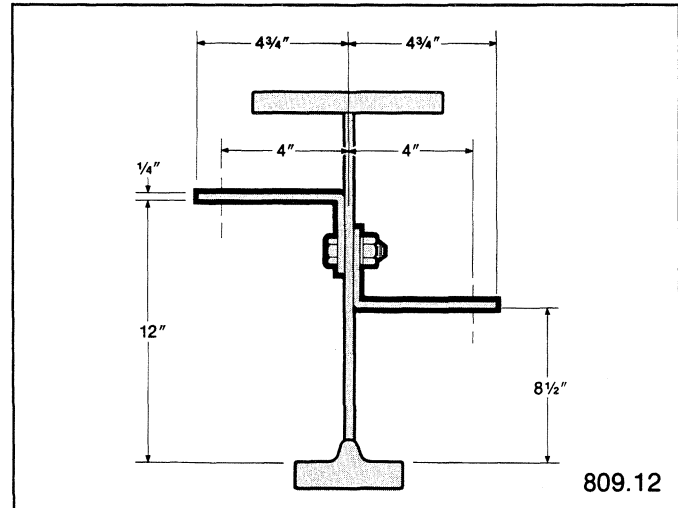
809.11 (28-0402), Wt. 1.35 lbs.

For 4-wire (2-run) dual conductor bottom entry electrification at 8½" above the track tread of 602.6 SuperTrack™ Patented Track.



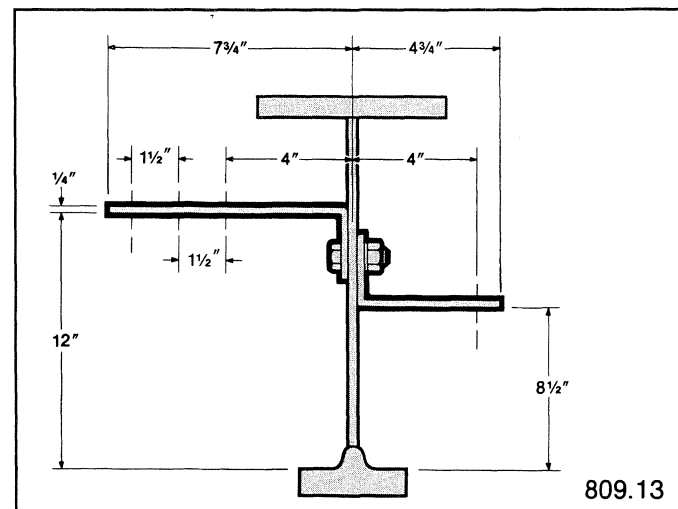
809.12 (28-0428), Wt. 1.5 lbs.

For 4-wire (2-run) dual conductor bottom entry electrification at 8½" above the track tread on 12" Louden® girder track. On Louden® girder track 15" deep or over either 12" or 8½" above the track tread may be used.



809.13 (28-0429), Wt. 1.25 lbs.

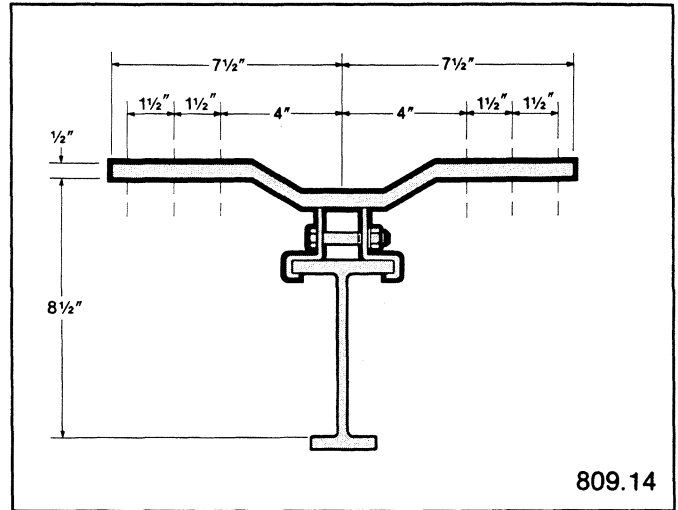
For up to 6-wire (3-run) dual conductor, or 4-wire single conductor bottom entry electrification at 8½" above the track tread on 12" Louden® girder track. On Louden® girder track 15" deep or over either 12" or 8½" above the track tread may be used.





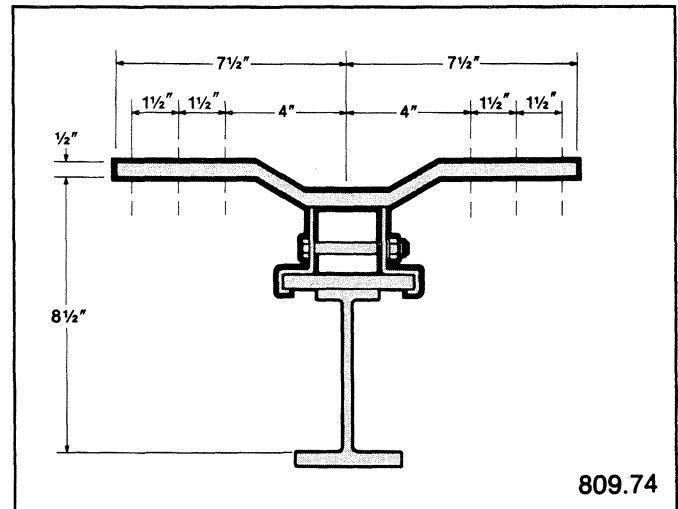
809.14 (28-0423), Wt. 2 lbs.

For up to 8-wire (4-run) dual conductor or 6-wire single conductor bottom entry electrification at 8½" above the track tread on 602.6 *SuperTrack™* Patented Track.



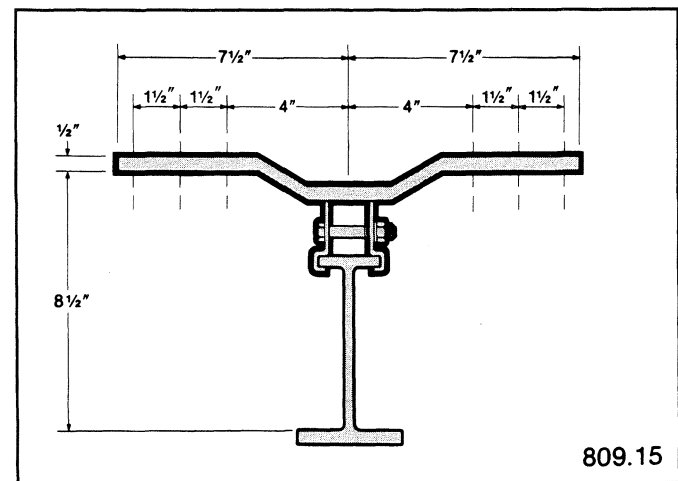
809.74 (28-0405), Wt. 1.8 lbs.

For up to 8-wire (4-run) Dual Conductor Electrification or 6-wire single conductor bottom entry electrification on 603.7 capped *SuperTrack*.



809.15 (28-0431), Wt. 2 lbs.

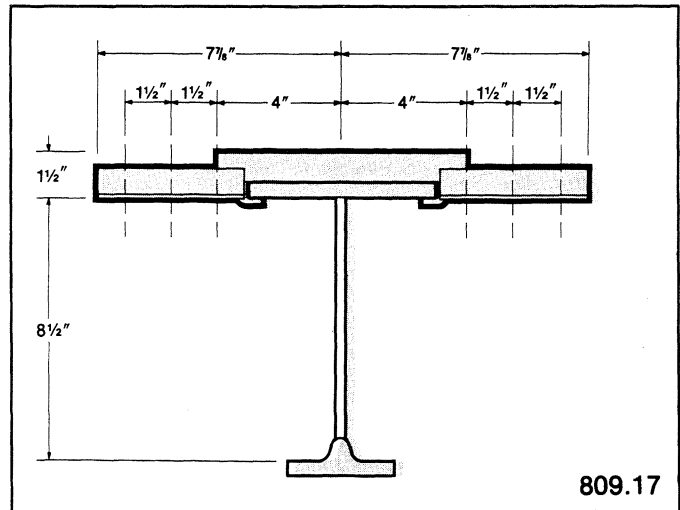
For up to 8-wire (4-run) dual conductor or 6-wire single conductor bottom entry electrification at 8½" above the track tread on 603.6 *SuperTrack™* Patented Track.





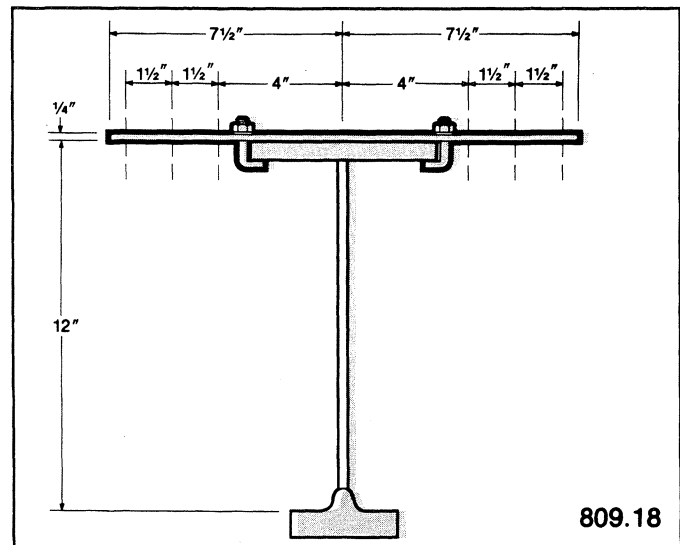
809.17 (28-0693), Wt. 1.3 lbs.

For up to 8-wire (4-run) dual conductor, or 6-wire single conductor bottom entry electrification at 8½" above the track tread of 604.924 *SuperTrack* Girder.



809.18 (28-0694), Wt. 2.2 lbs.

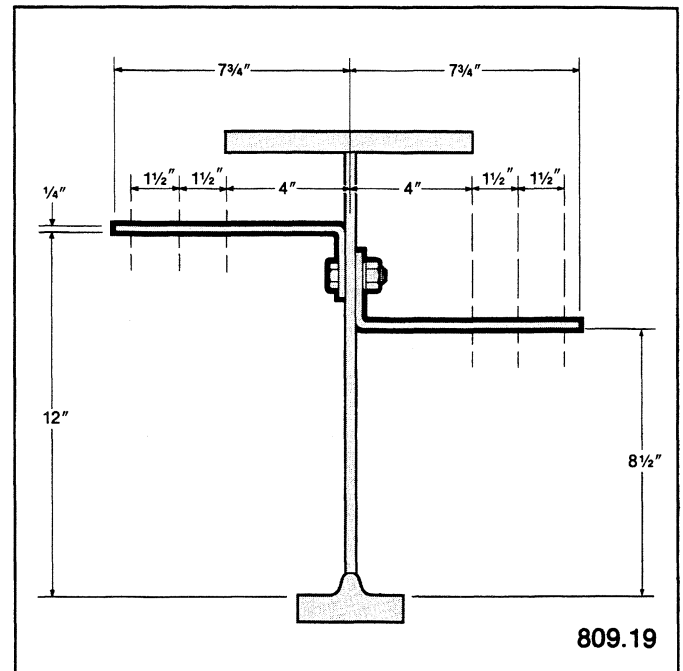
For up to 8-wire (4-run) dual conductor, or 6-wire single conductor bottom entry electrification at 12" above the track tread of 605.1235 *TrojanTrack* Girder or 604.1231 *SuperTrack* Girder.





809.19 (28-0420), Wt. 2 lbs.

For up to 8-wire (4-run) dual conductor, or 6-wire single conductor bottom entry electrification at 8½" above the track tread on 12" *Louden* girder track. On *Louden* girder track 15" deep or over either 12" or 8½" above the track tread may be used.

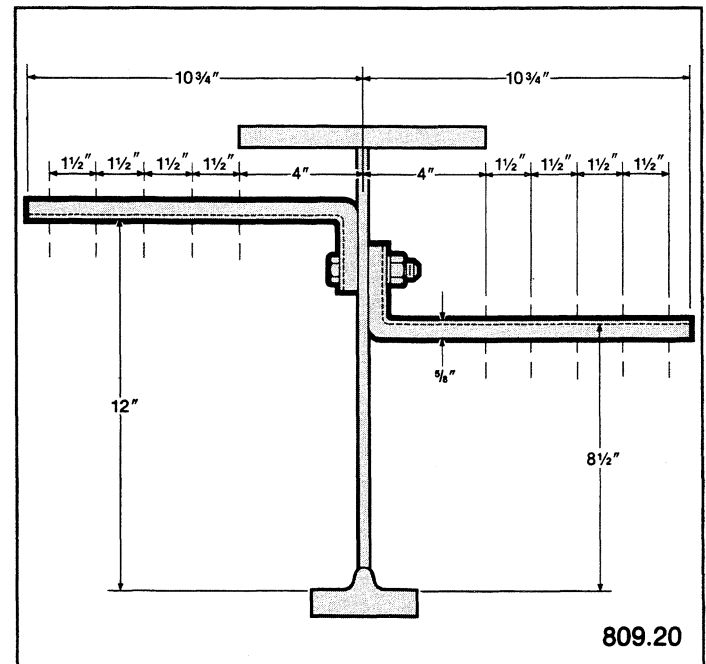


809.20 (30-1137), Wt. 4.5 lbs.

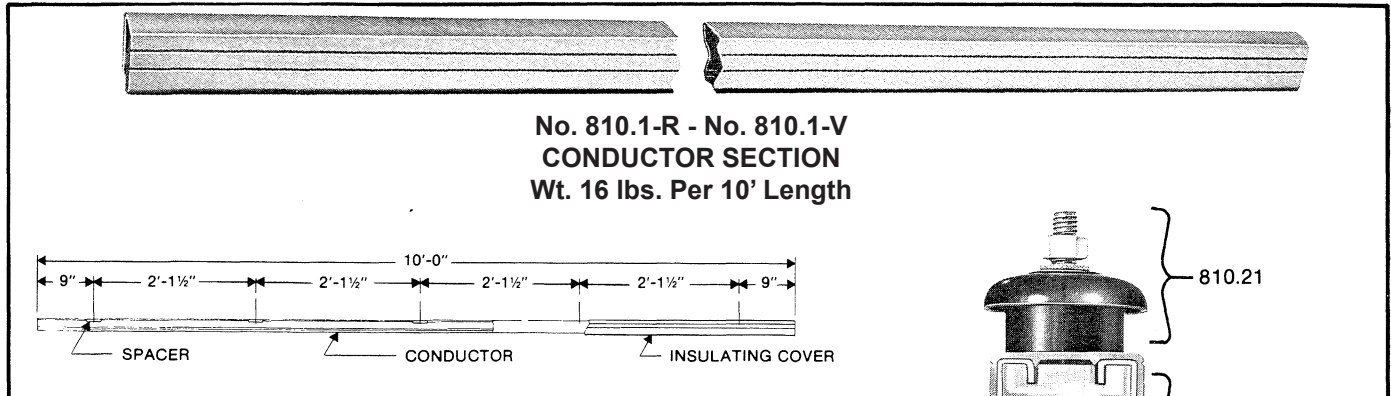
For up to 12-wire (6-run) dual conductor, or 10-wire single conductor bottom entry electrification at 12" above the track tread of *Louden* girder tracks 15" deep or over.

NOTES:

1. For dual conductor bottom entry *Louden* electrification bracket may be turned up or down on *Louden* girder track 15" deep or over.
2. For dual conductor and single conductor bottom entry electrification bracket. **Must Be Turned Up on 12" *Louden* girder track only.**



WARNING Disconnect Power Before Working on or Near Any Electrical Components.

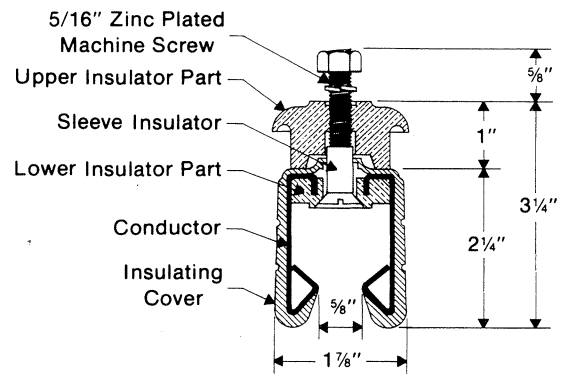
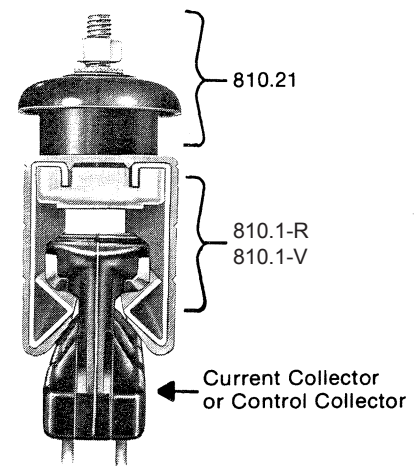


Louden® Dual Conductor Bottom Entry Electrification is designed and built to meet the requirements of *Louden®* monorail and crane service. The 10' long conductor sections are made of two roll-formed, zinc coated steel bars held in position by five spacer insulators to form an inverted U shape with a 5/8" slot opening at the bottom to accommodate the sliding shoe current collectors. This assembly is housed in a heavy EPDM rubber or vinyl insulating jacket that covers all external surfaces. Both EPDM and vinyl are tough and durable, with excellent insulating properties and have good flame resistance.

The cover of 810.1-R is EPDM rubber and will withstand temperatures up to 200° F. However, maximum temperatures are generally limited to 125° F, due to the normal limits imposed by the use of motors, controls, wiring, and drive tires. **Vinyl should not be used where temperatures rise above 140° F.**

Louden® Dual Conductor Bottom Entry Electrification is available, on special-order, with stainless steel conductors for use in highly corrosive or caustic areas. Each of the two bars in *Louden®* Dual Conductor Bottom Entry Electrification is a separate conductor with a capacity of 100 amperes at 600 volts. This capacity can be doubled by electrically tying the two bars together.

Installation of straight sections of *Louden®* Dual Conductor Bottom Entry Electrification is simple and curves can be normally accomplished with the bending tools available from the factory. Straight runs require support on maximum 5' centers. Curves require a minimum of one center support but support centers should not exceed 4'.

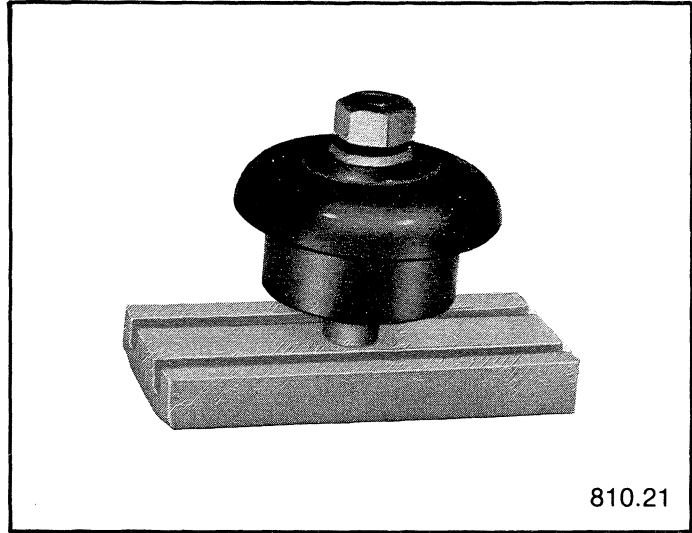


Louden® Dual Conductor Bottom Entry Electrification is stocked and shipped in standard 10' lengths; assembled complete with the specified insulating cover and five spacer insulators. When odd lengths are required as at the end of a run, the section is easily cut to length during installation.



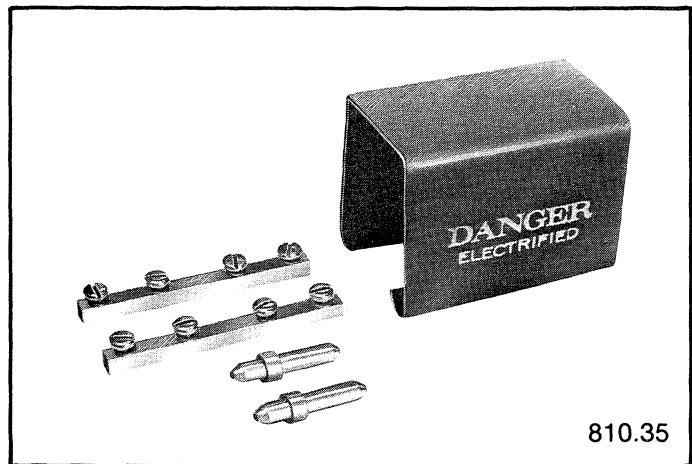
**SUPPORT INSULATOR ASSEMBLY
810.21 (28-0432) Wt. .5 lbs. (.23 kg.)**

The Support Insulator Assembly consists of three molded parts assembled with a 5/16" diameter machine screw. The lower insulator is grooved to fit snugly against the lips of the two conductors inside the electrification section. The upper insulator is cored and tapped to facilitate a tight fit with the bolt and conductor cover. The sleeve insulator is designed to push the conductor cover up into the recess of the upper insulator to retard seepage of moisture into the conductor from above.



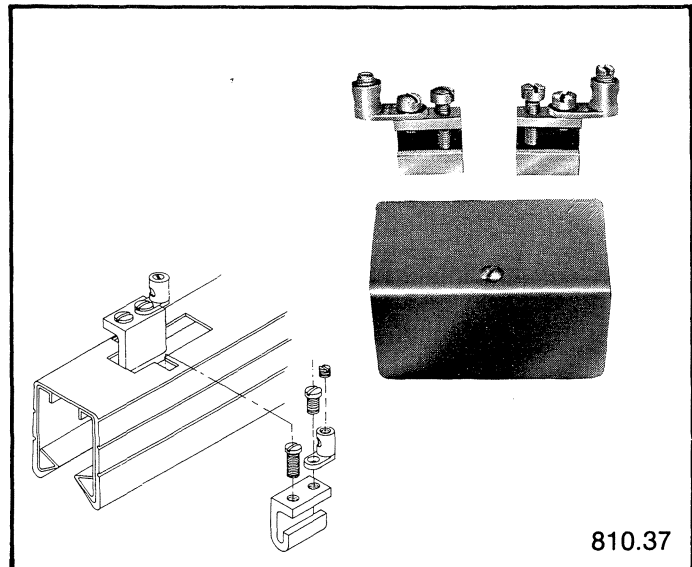
**SPLICE ASSEMBLY
810.35 (28-0443) Wt. .75 lbs. (.34 kg.)**

Designed to join conductor sections, the dowels provide a smooth, but rigid, mechanical joint while the splice bars maintain electrical continuity across the joint. The joint is covered by an extruded Hi-Impact P.V.C. splice cover.



**POWERFEED ASSEMBLY
810.37 (28-0444) Wt. .75 lbs. (.34 kg.)**

Louden® Powerfeeds provide terminal connection for both conductors in Louden® Dual Conductor Bottom Entry Electrification. Rated 100 Amp. at 600 volts the assembly includes extruded brass terminal lugs, connectors to accommodate No. 14 to No. 4 leads and a three piece molded phenolic housing.

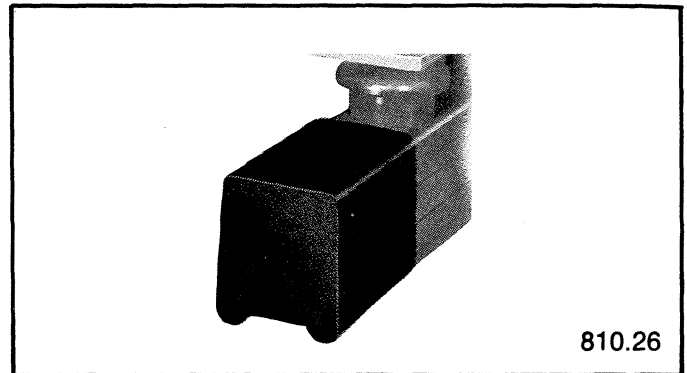




END CLOSURE

810.26 (28-0436) Wt. .5 lbs. (.23 kg.)

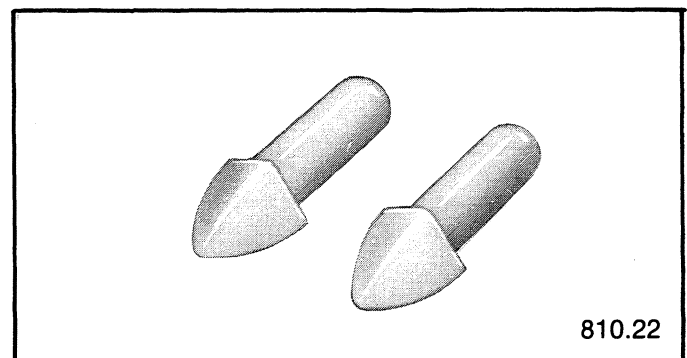
The End Closure is made of molded phenolic and incorporating an end plate to cover exposed conductor bars at the end of an electrification run. One is required at each dead end conductor section.



TRANSFER INSULATOR

810.22 (28-0433) Wt. .06 lbs. (.03 kg.)

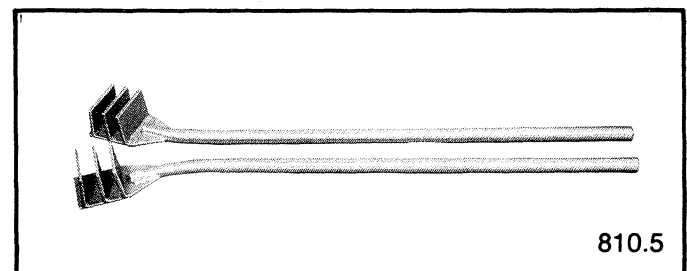
Transfer Insulators are used at transfer points and with monorail switches to guide the collectors through the gaps, they also serve to insulate the end of the conductors when passing conductors of opposite polarity such as when a crane passes a transfer section or a sliding switch is moved.



BENDING HICKEY

810.5 (28-0426) Wt. 13 lbs. (5.9 kg.)

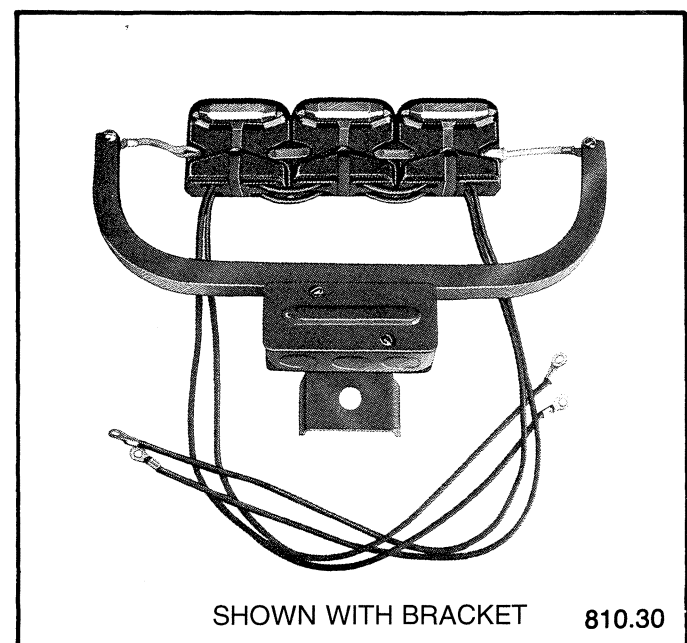
Used on the job for bending curves in *Louden* Dual Conductor Bottom Entry Electrification. The operation is similar to using a "hickey" in forming conduit. One set required for installation of electrified monorails with curves.



CURRENT COLLECTOR

810.30 (28-0437) Wt. 5 lbs. (2.27 kg.)

The 810.30 Current Collector is composed of three identical sections joined by a linkage which permits free articulation of the individual sections. This assures smooth operation on curves or through gaps at transfer points. This design reduces the possibility of single phasing since one or more of the sliding shoes will remain in contact with the conductors. Each section of the collector is made up of a molded phenolic main body, two cast metal sliding shoes, and two terminal covers. Power is transmitted to the equipment by a wire harness that connects the sliding shoes on each side. The appropriate mounting bracket is included with the Current Collector when furnished with new equipment. This current collector is rated 30 Amp./600 volt.



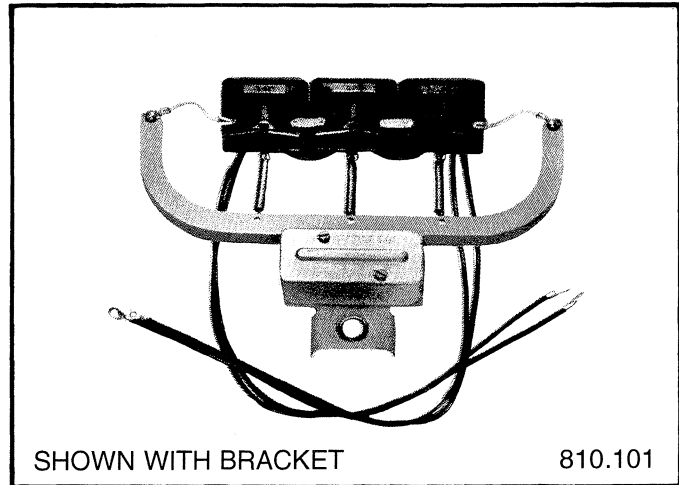


**LOUDEN® DUAL CONDUCTOR
BOTTOM ENTRY ELECTRIFICATION**

810-4
Issued 9-7-01

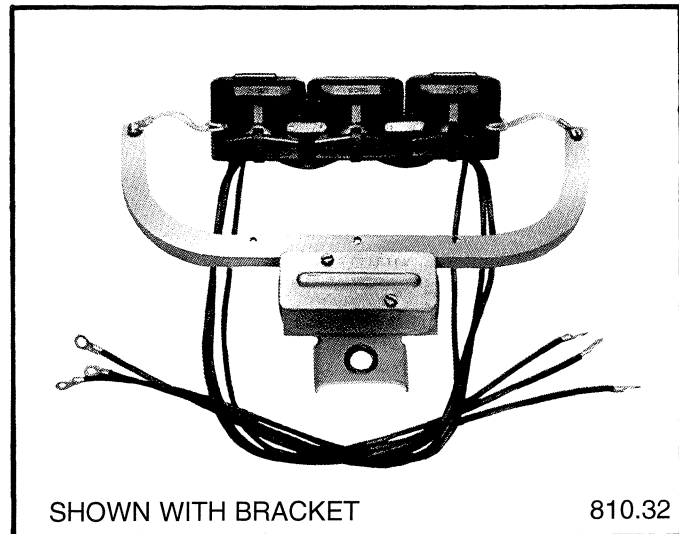
**CURRENT COLLECTOR, Spring Loaded
810.101 (28-0438) Wt. 5.5 lbs. (2.5 kg.)**

This Current Collector is identical to the 810.30 Current Collector but includes a spring from each of the three sections to the mounting bracket to provide increased sliding shoe contact with the conductor bar. This provides enhanced reliability of the conductor in dirty or caustic atmospheres. Rated at 30 Amp./600 volt. Mounting bracket provided for new equipment.



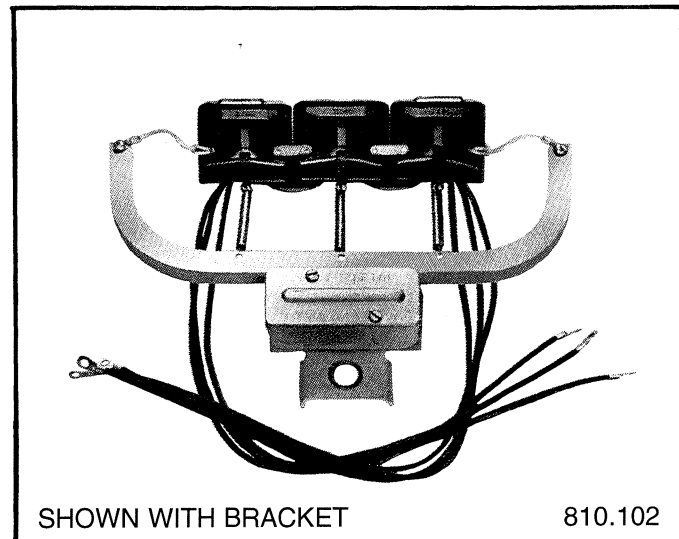
**CONTROL COLLECTOR
810.32 (28-0439) Wt. 5.5 lbs. (2.5 kg.)**

This Current Collector is used in conjunction with Control Collector in *Louden Selectomatic* dispatch systems as a power source and for control circuits. The design and construction is similar to the 810.30 collector with the addition of an additional contact shoe built into the top of the two end sections and two additional terminal wires. Rated at 30 Amp./600 volt. Mounting bracket provided with new equipment.



**CONTROL COLLECTOR, Spring Loaded
810.102 (28-0440) Wt. 6.0 lbs. (2.75 kg.)**

This Spring Loaded Control Collector is identical to the 810.32 Control Collector but includes a spring from each of the three sections to the mounting bracket to provide increased sliding shoe contact with the conductor bar. This provides enhanced reliability of the collector in dirty or caustic atmospheres. Mounting bracket provided for new equipment. Rated at 30 Amp./600 volt.



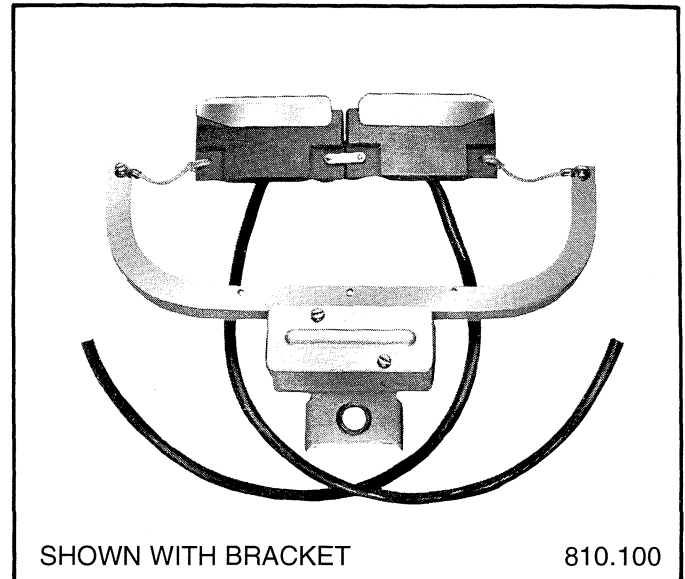
ACCO Material Handling Solutions
76 Acco Drive, Box 792, York, PA 17405-0792
717-741-4863, 800-967-7333, FAX 800-715-8897
E-mail: info@accomhs.com www.accomhs.com

© 2007 FKI Industries Inc.
Printed In USA



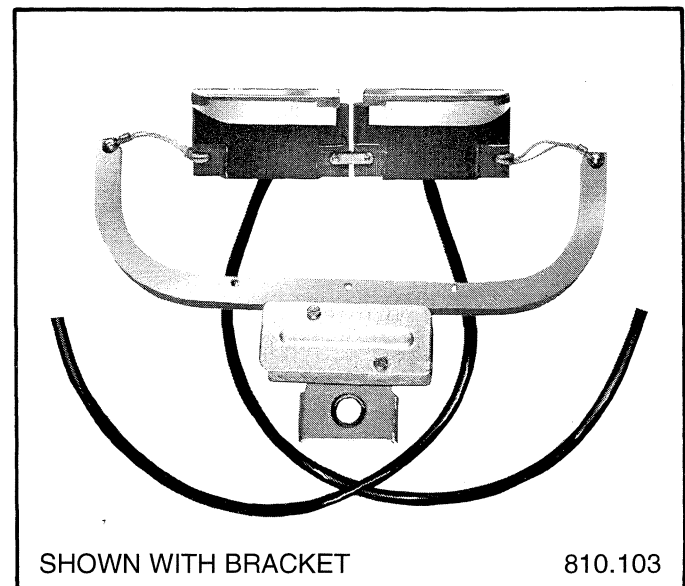
**CURRENT COLLECTOR, Single Pole
810.100 (28-0627) Wt. 1.33 lbs. (.62 kg.)**

This two section, single pole, sliding shoe collector is used when 90 Amp. capacity is required and both sides of the conductor bar carry a single phase of a 3-phase power supply and the system does not have control sections. Rated at 90 Amp./600 volt. Mounting bracket provided for new equipment.



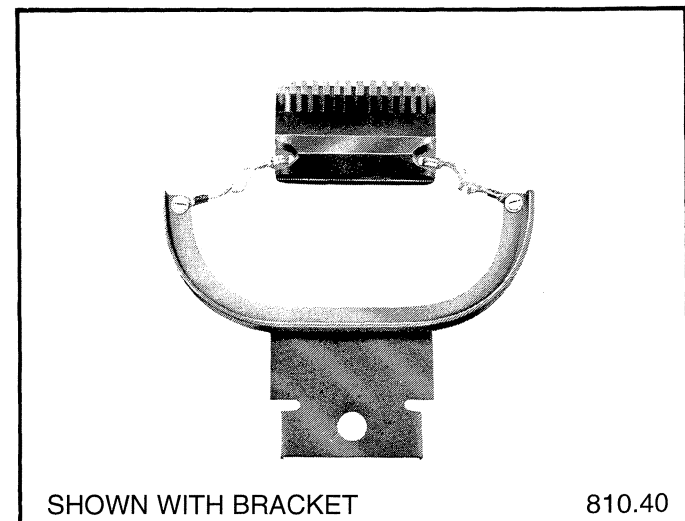
**CONTROL COLLECTOR, Single Pole
810.103 (28-0657) Wt. 1.11 lbs. (.57 kg.)**

This collector is identical to the 810.100 collector except that it has contact insulating covers mounted on top of each section to help prevent shorting of the conductor bars to the control section through the sliding shoes. Rated at 90 Amp./600 volt. Mounting bracket provided for new equipment.



**CLEANING SHOE
810.40 (28-0446) Wt. 1.5 lbs. (.68 kg.)**

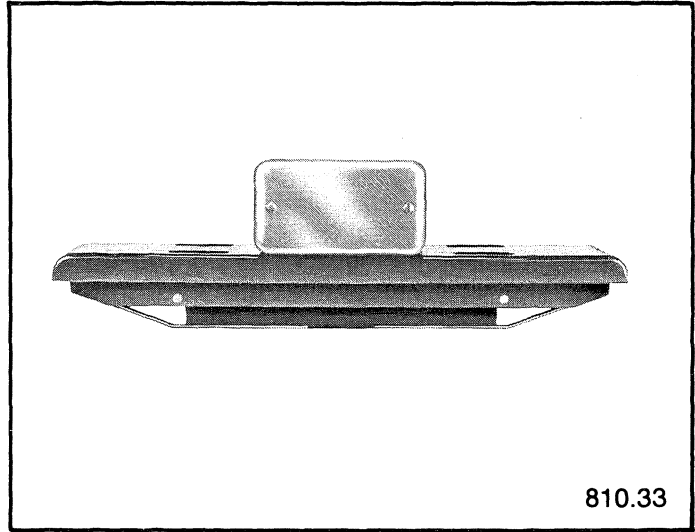
The Cleaning Shoe is used when manufacturing processes may cause dust, moisture and foreign matter to accumulate on the metal conductors in Louden Dual Conductor Bottom Entry Electrification. The Cleaning Shoe is moulded polyurethane with multiple blades that are long wearing and provide cleaning action. Mounting bracket provided for new equipment.





**CONTROL SECTION, Double Contact
810.33 (28-0441) Wt. 2.0 lbs. (.9 kg.)**

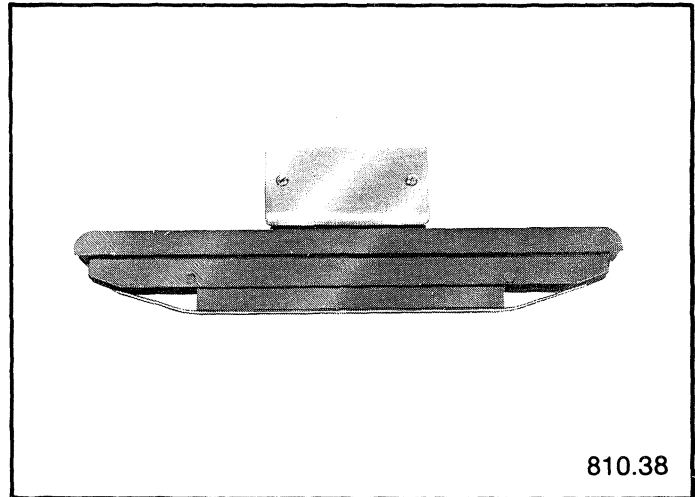
Inserted into the top of *Louden* Dual Conductor Bottom Entry Electrification, the 810.33 Control Section can be used in conjunction with Control Collectors (810.32) to provide two control signals to monorail carriers or cranes in *Louden Selectomatic* Systems.



810.33

**CONTROL SECTION, Single Contact
810.38 (28-0445) Wt. 2.0 lbs. (.9 kg.)**

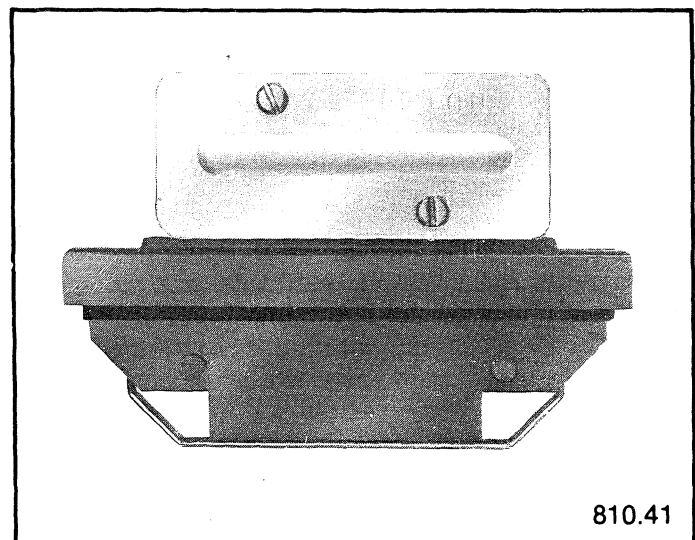
Inserted into the top of the conductor, this Control Section can be used in conjunction with Control Collectors to pass a single control signal to monorail carriers or cranes in *Louden Selectomatic* Systems or to bridge two contacts on Control Collector 810.32.



810.38

**CONTROL SECTION, Short
810.41 (28-0612) Wt. 2.0 lbs. (.9 kg.)**

This short Control Section is used in conjunction with a Control Collector (810.32) to pass a single control signal to or from a monorail carrier, and is usually required when control Section must be located in a curve section of conductor.



810.41



LOUDEN®
SINGLE CONDUCTOR
BOTTOM ENTRY
ELECTRIFICATION

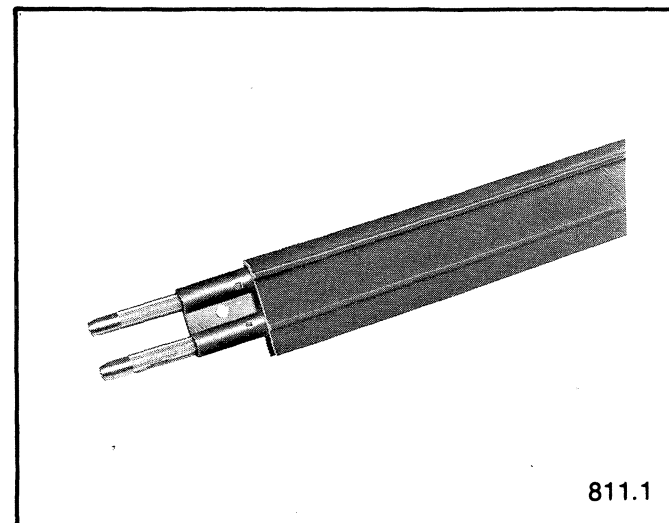
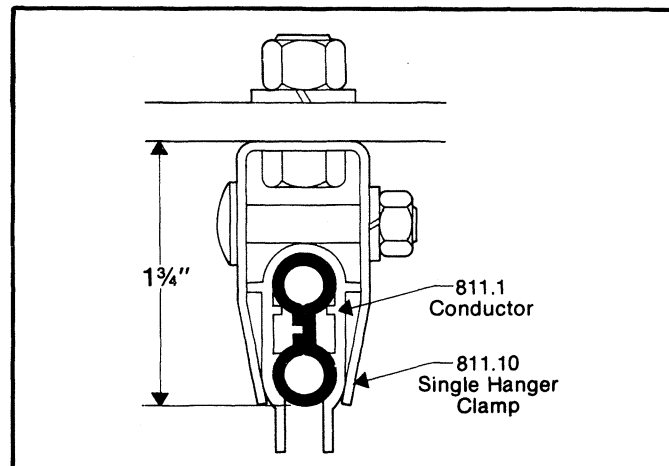
WARNING Disconnect Power
Before Working on or Near Any
Electrical Components.

A covered Single Conductor Bottom Entry Electrification system with strong, high visibility covers of noncombustible insulating material to enclose the conductors. Ruggedly designed for long term, low maintenance service in most traveling power applications. Single Conductor Bottom Entry Electrification systems are ideal for new installations or the modernization and expansion of existing systems for low cost, high-performance operations. The pin-connected conductor bar is quickly installed by regular maintenance personnel; installation and maintenance instructions are simple and easy to follow.

Single Conductor Bottom Entry Electrification may be readily curved to a minimum of 3'-6" without damage to the vinyl cover of the conductor. Bending is done in the field.

FIGURE 8 CONDUCTOR
811.1 FE-908-2 (281053) Wt. 6.1 lbs.

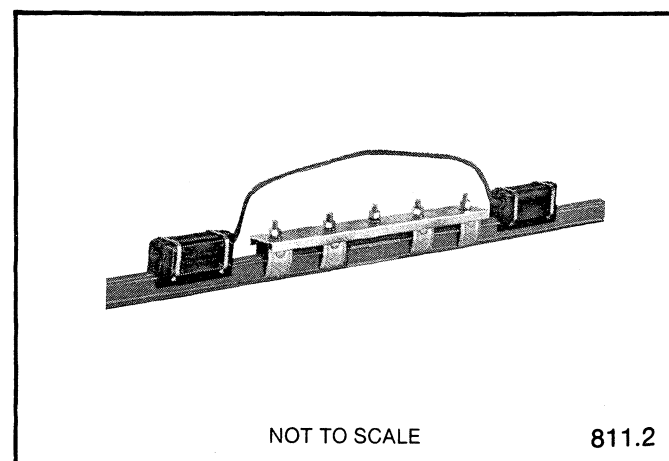
Figure 8 Conductor Section, 110 amp. rating, consists of a 10 ft. long conductor bar piece, insulating cover, joint cover, and connector pins or joint clamps where applicable.



EXPANSION ASSEMBLY
811.2 FE-908-2H10 (281116) Wt. 8.5 lbs.

Expansion Joint Assemblies are 10' long and consist of conductor bar sections, insulation covers, conductor pins, (one end), and two power feeds with jumper cables.

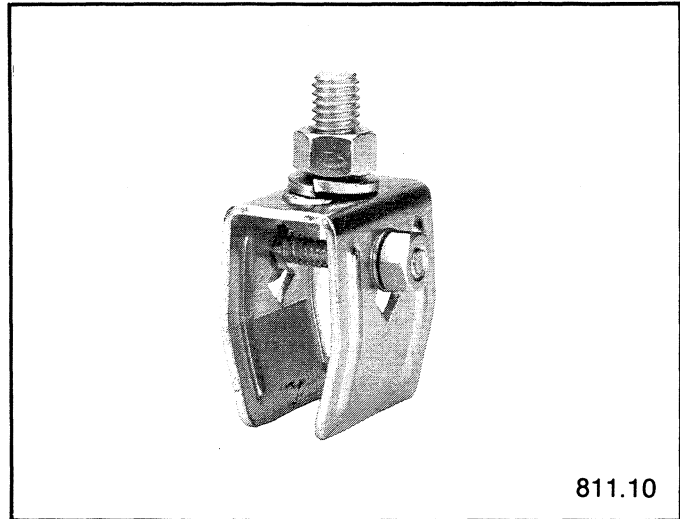
Expansion gaps should be placed at intervals determined by the conductor temperature rise. If the estimated temperature rise for steel conductor systems is 150° F a 1" expansion gap should be provided every 100' for average installations. Expansion gap assemblies should be located every 150' of straight run and at building expansion joints.





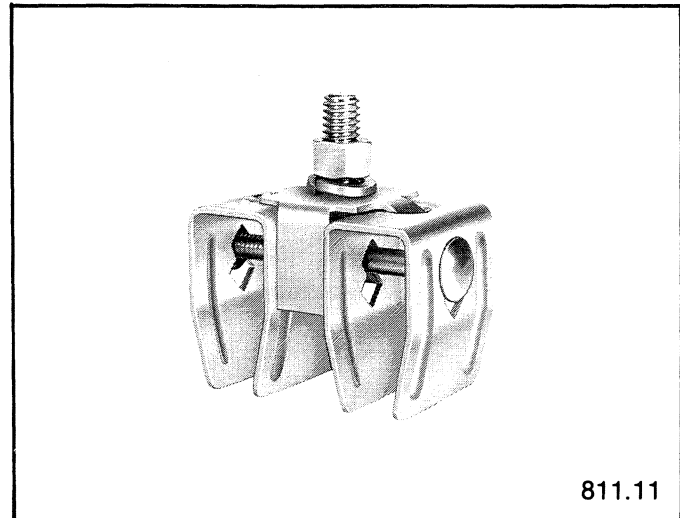
**SINGLE HANGER CLAMP ASSEMBLY
811.10 B-100-2FF (281058) Wt. .21 lbs.**

Single hanger clamp assembly is a zinc plated steel hanger clamp complete with bolts, lock washers, and nuts.



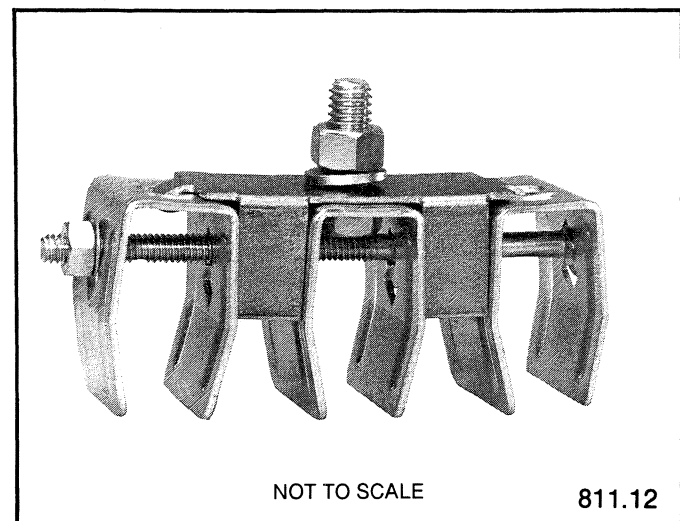
**TWIN HANGER CLAMP ASSEMBLY
811.11 B-100-2F2 (281112) Wt. .36 lbs.**

Twin hanger clamp assembly is a two-in-one hanger assembly with conductors on 1-1/2 inch centers. For use only in dry, indoor applications.



**TRIPLE HANGER CLAMP ASSEMBLY
811.12 B-100-2F3 (281113) Wt. .55 lbs.**

Triple hanger clamp assembly is a three-in-one hanger assembly with conductors on 1-1/2 inch centers. For use only in dry, indoor applications.





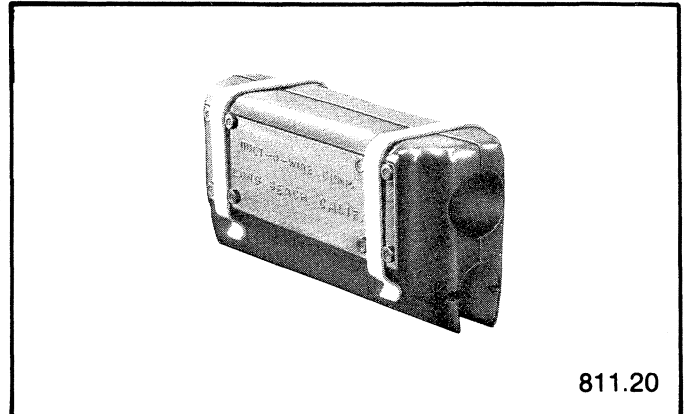
**LOUDEN® SINGLE CONDUCTOR
BOTTOM ENTRY ELECTRIFICATION**

811-3
Issued 9-7-01

CENTER POWERFEED

811.20 FE-1158-2CP (281115) Wt. .25 lbs.

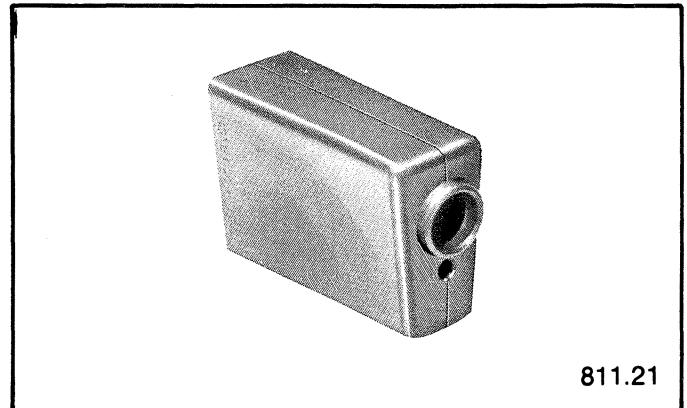
Center power feed is rated 110 amp./600 volts.
Includes insulating cover.



VINYL END CAP

811.21 B-100-1GC (281055) Wt. .03 lbs.

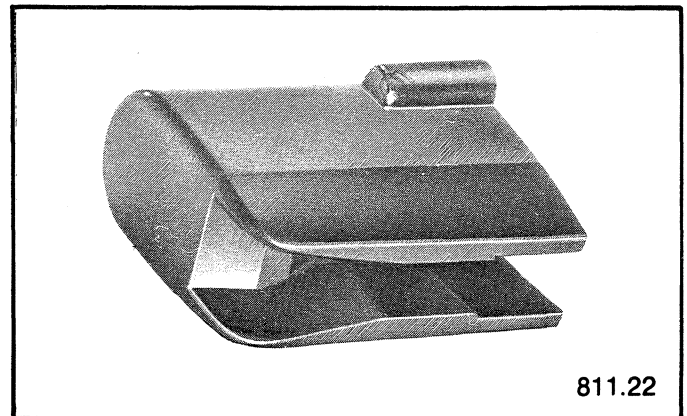
Vinyl end cap is for rolled conductors and is installed
over the exposed ends of all conductor runs.



TRANSFER CAP

811.22 FE-908-GCT (281054) Wt. .03 lbs.

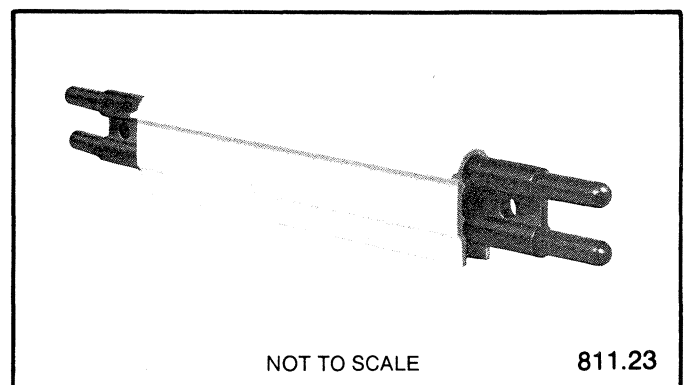
Transfer cap is to be used at each conductor end
where there is a gap in the system. It is installed in lieu
of end cap at all switches, and interlocks.



ISOLATION SECTION

811.23 FE-908-1S 8" (281114) Wt. .16 lbs.

8" Isolation section (1 per conductor). It is installed
in conductor section to provide isolation between two
parts of the same conductor section.





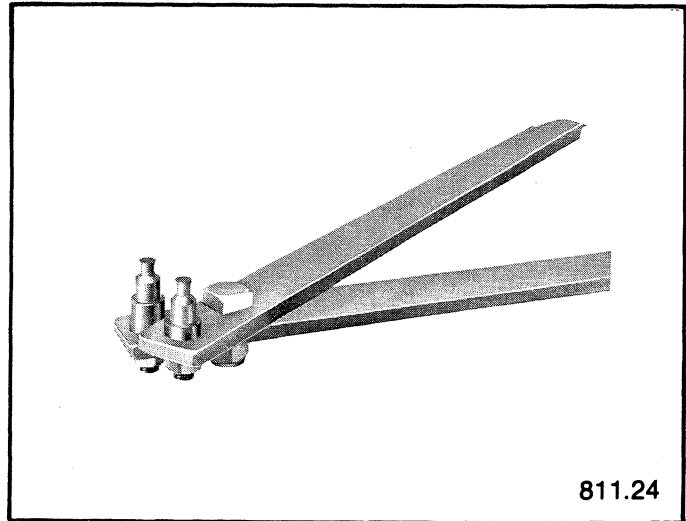
**LOUDEN® SINGLE CONDUCTOR
BOTTOM ENTRY ELECTRIFICATION**

811-4
Issued 9-7-01

CONNECTOR TOOL

811.24 FE-908-1M (281057) Wt. 2.91 lbs.

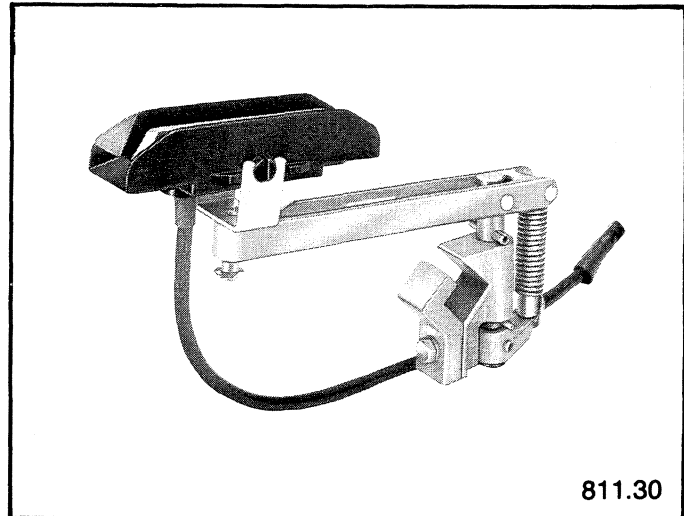
Connector tool is required for conductor assembly.



CURRENT COLLECTOR

811.30 C-40V3 (281063) Wt. 1.75 lbs.

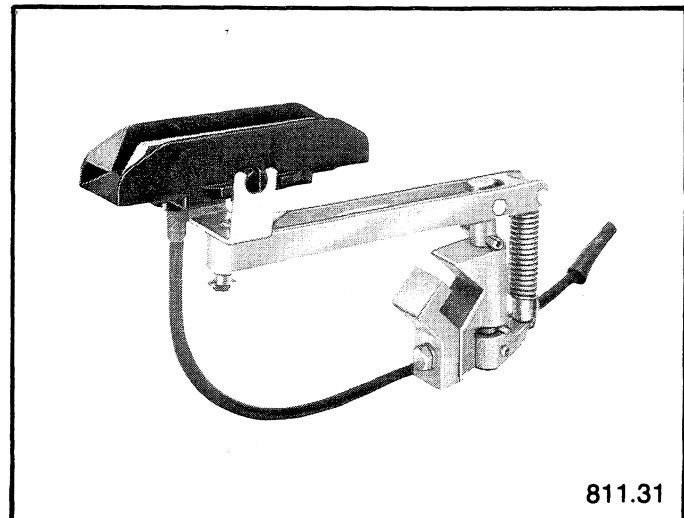
Current Collector, 40 amp./600 volt rating, single 3" collector shoe, vertical mount. This collector will negotiate a 3'-6" radius or greater curve. (price includes standard bracket.)



CURRENT COLLECTOR

811.31 C-100V5 (281104) Wt. 2.01 lbs.

Current Collector, 100 amp./600 volt rating, single 5" collector shoe, vertical mount. This collector will negotiate a 6'-0" radius or greater curve. (price includes standard bracket.)



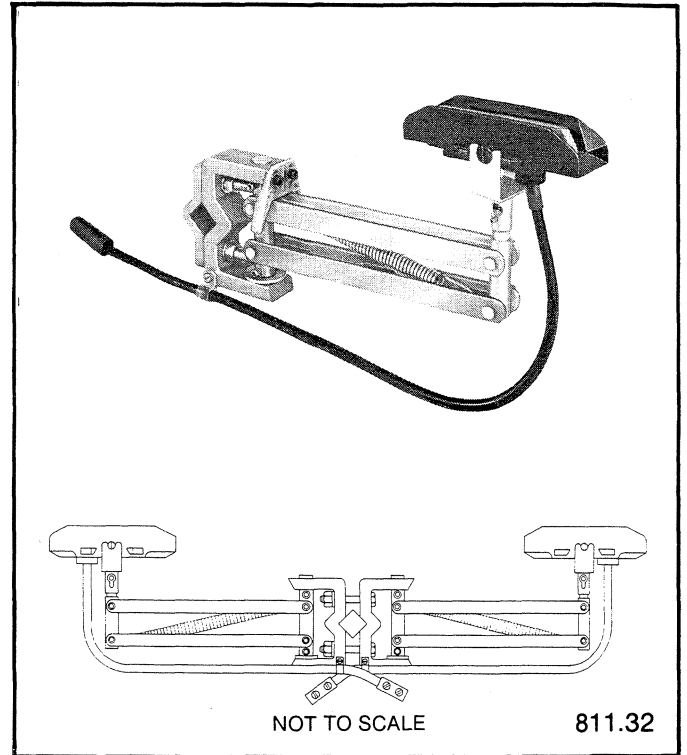
ACCO Material Handling Solutions
76 Acco Drive, Box 792, York, PA 17405-0792
717-741-4863, 800-967-7333, FAX 800-715-8897
E-mail: info@accomhs.com www.accomhs.com

© 2007 FKI Industries Inc.
Printed In USA



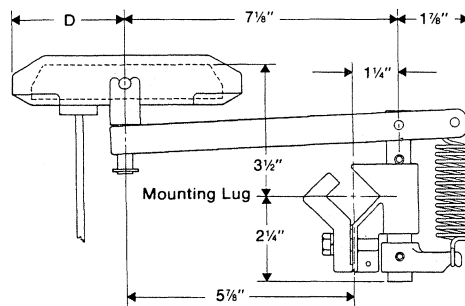
CURRENT COLLECTOR
811.32 P-80VT3 (281105) Wt. 4.66 lbs.

Current Collector, 80 amp./600 volt rating, double (two) 3" collector shoe, vertical mount. This collector will negotiate a 3'-6" radius or greater curve. (price includes standard bracket.)



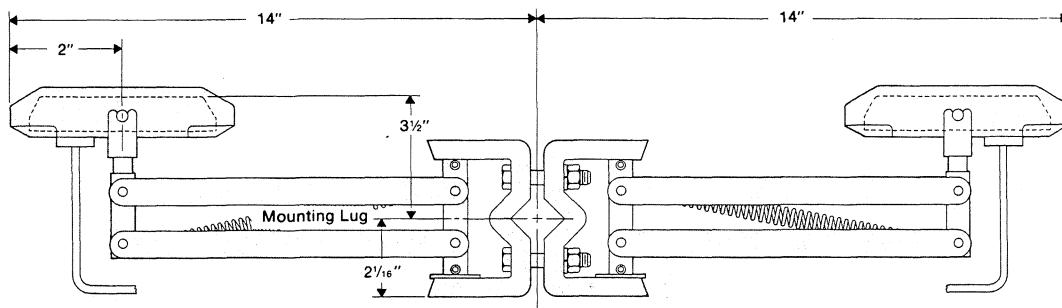
NOTES:

1. Contact Customer Engineering Department concerning outdoor applications, and high temperature applications.
2. Select conductor bar support brackets from section 809.
3. Monorail curves require an additional conductor bar support bracket for each 45° of bend.



811.30 and 811.31 Collector

Dimension D
2" - 811.30 Collector
3" - 811.31 Collector



811.32 Collector



ACCO Material Handling Solutions

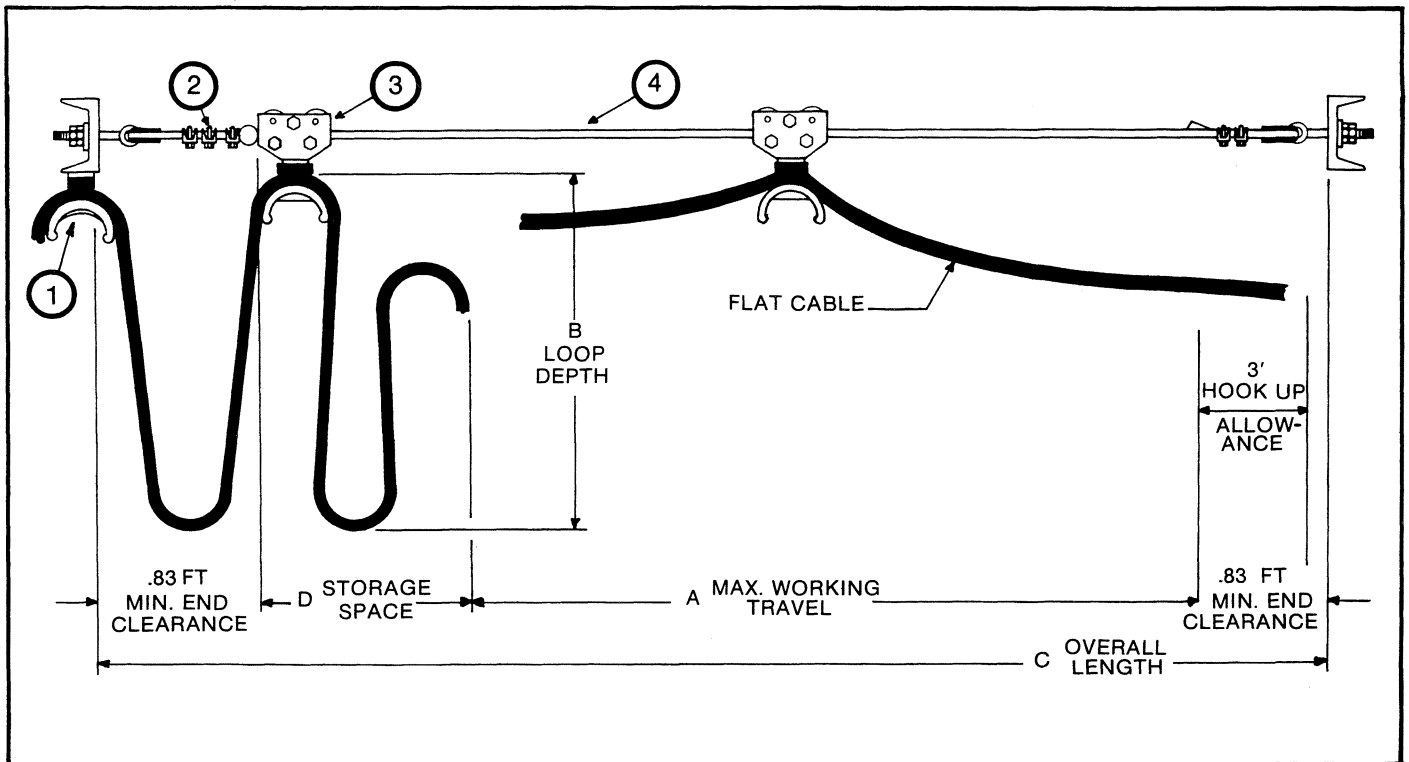
76 Acco Drive, Box 792, York, PA 17405-0792
717-741-4863, 800-967-7333, FAX 800-715-8897
E-mail: info@accomhs.com www.accomhs.com

© 2007 FKI Industries Inc.
Printed In USA

WARNING Disconnect Power Before Working on or Near Any Electrical Components.

LOUDEN Light Duty, Wire Supported Tagline Systems are designed to furnish electrical power and control circuits on all electrified *LOUDEN* cranes, crane runways, and straight monorails up to 42'-2" overall length. Operating on a nylon-covered wire rope, the nylon electrical cable carrier trolleys can be loaded to a maximum of 9 pounds per trolley and can accommodate flat electrical cable up to 2 3/8" wide or round electrical cable up to .91" in diameter, depending on the system chosen. These systems are designed so they may be used in spark resistant and outdoor applications.

Each system is furnished as a total package, ready for installation, and requires no additional components, other than electrical cable and electrical connectors. Electrical cable and connector charts are provided on page 826-1 to allow selection of proper size and number of conductors.



LOUDEN Light-Duty, Wire Supported Tagline Systems for Flat Cable Up To 2 3/8" Wide.

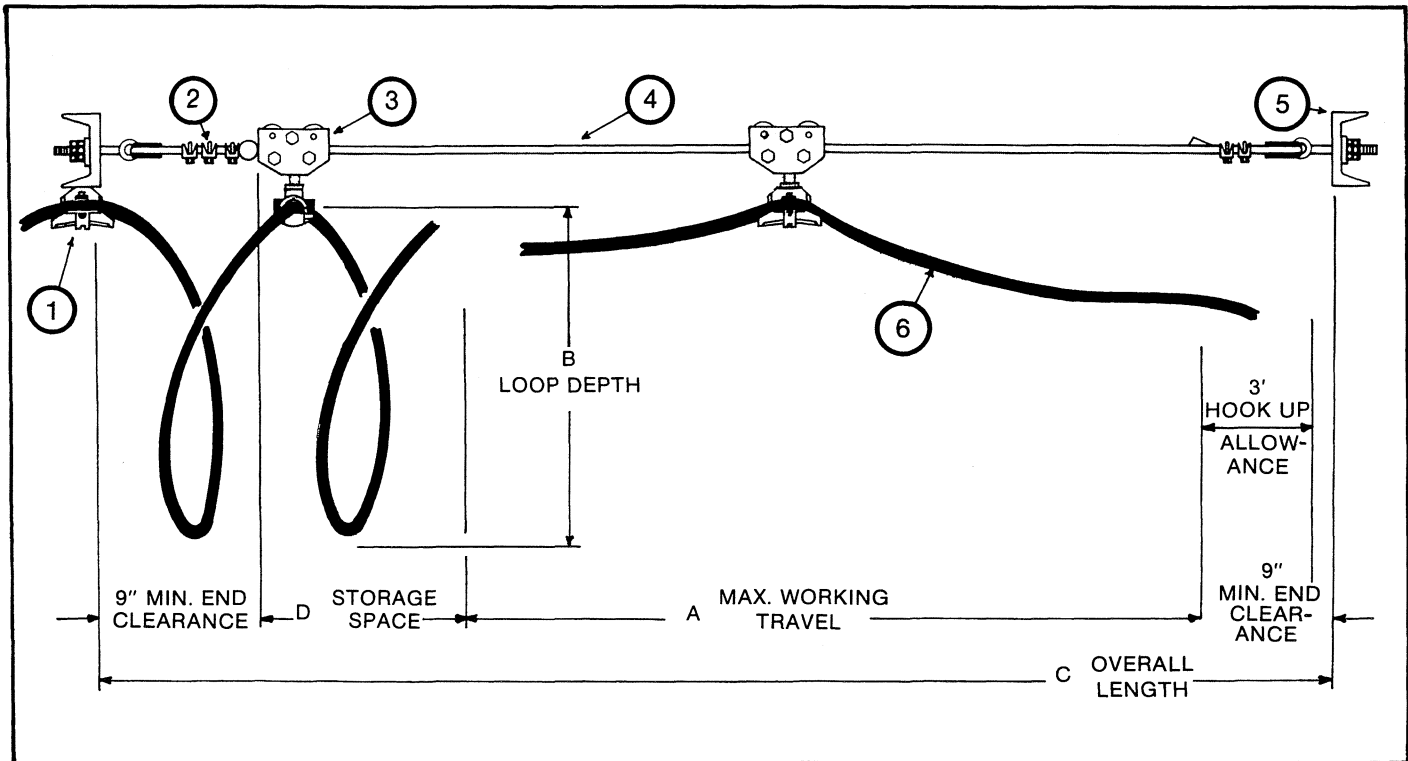
Cat. No.	Part No.	A Max. Work- ing Travel (feet)	B Loop Depth (inches)	Maximum Cable Weight (lbs./ft.)	C Over-all Length (feet)	D Storage Space (feet)	Quantity Carriers	Total Hook Up Allowance
820.11	28-1078	16	36	1.44	18.7	1.05	2	6'
820.12	28-1079	27	36	1.44	30.5	1.75	4	6'
820.13	28-1080	38	36	1.44	42.2	2.45	6	6'

See Back for Notes



LOUDEN® LIGHT-DUTY WIRE SUPPORTED TAGLINE SYSTEM

820-2
Issued 9-7-01



LOUDEN Light-Duty, Wire Supported Tagline Systems For Round Cable Up To .91" in Diameter

Cat. No.	Part No.	A Max. Working Travel (feet)	B Loop Depth (inches)	Maximum Cable Weight (lbs./ft.)	C Over-all Length (feet)	D Storage Space (feet)	Quantity Carriers	Total Hook Up Allowance
820.21	28-1075	15	36	1.38	17.5	0.84	2	6'
820.22	28-1076	26	36	1.38	29.1	1.40	4	6'
820.23	28-1077	37	36	1.38	40.7	1.97	6	6'

NOTES:

- Systems include End Clamp assembly (1); Hardware Kit consisting of eyebolts, clamps and ball stops (2); Intermediate Carriers (3); Nylon Covered Wire Rope of the required length (4); and Cable End Supports (5).
- Electrical cable (6) and connectors are not included above. See page 826-1.
- Trolleys are spaced at a maximum 9' interval along the electrical cable.
- To determine electrical cable length add 6' to the overall length of the crane bridge or runway.
- Maximum Trolley Load equals 9 Pounds. WARNING: These systems are designed to support electrical cable only.



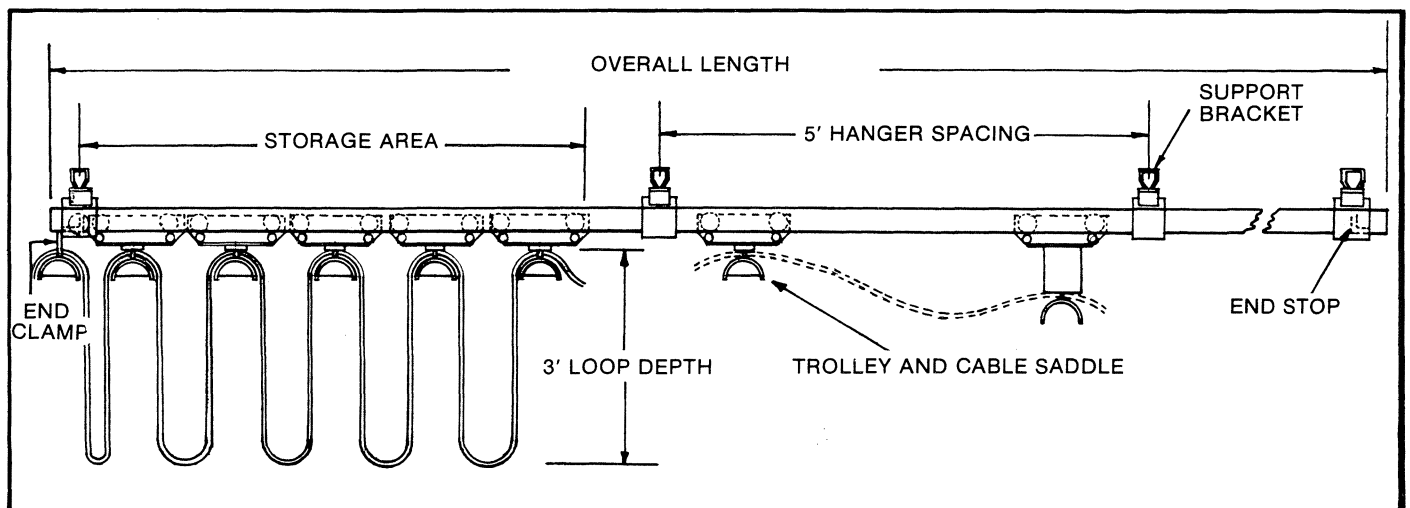
ACCO Material Handling Solutions
76 Acco Drive, Box 792, York, PA 17405-0792
717-741-4863, 800-967-7333, FAX 800-715-8897
E-mail: info@accomhs.com www.accomhs.com

© 2007 FKI Industries Inc.
Printed In USA

LOUDEN®
**HEAVY DUTY
TRACK SUPPORTED
FESTOONING SYSTEM**

LOUDEN® Heavy-Duty, Track Supported Festooning Systems are designed to furnish electrical power and control voltages, as well as carry pendant control units, on all electrified *LOUDEN*® cranes, crane runways, and straight monorails. Operating on ball bearing steel wheels inside a formed steel track, the plated steel trolleys can be loaded to a maximum of 45 pounds per trolley, and can accommodate up to 5 flat electrical cables up to 2-3/16" wide.

Each *LOUDEN*® Heavy-Duty, Track Supported Festooning System is custom assembled from quality components. A standard system to furnish control voltages to the bridge of a 20' span electrified crane would consist of one 821.101 Basic Track Unit; one 821.102 Track Extension Unit; and three 821.201 Intermediate Trolleys (assuming a 3½' electrical cable loop depth). Component descriptions are given below. An electrical cable and connector chart is provided on page 826-1 to allow selection of proper size and number of conductors.



821.101 BASIC TRACK UNIT (40-0071)

Includes one 10' length of track, three track support assemblies, two end stop assemblies, and one cable end clamp.

821.102 TRACK EXTENSION UNIT (40-0072)

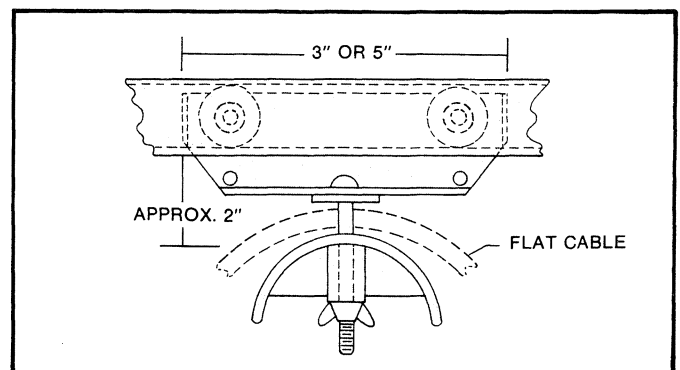
Includes one 10' length of track, two track support assemblies, and a track splice assembly.

821.201 STANDARD TROLLEY (28-1088)

This 5" long standard trolley consists of a trolley frame with integral bumpers, 4 steel ball bearing wheels, cable pad, nylon cable saddle, and all required hardware. Select the required number of trolleys from the chart.

821.202 SHORT TROLLEY (28-1089)

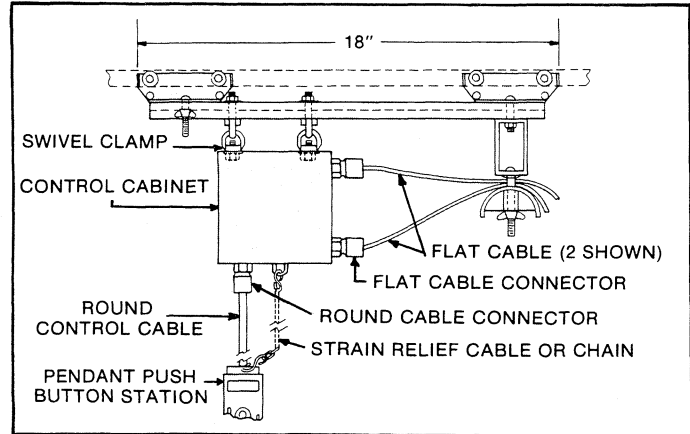
This 3" long trolley is used where minimum storage space is critical, particularly in long span applications. It has the same construction as the Standard Trolley, but with a shorter trolley frame.





821.203 PENDANT SUPPORT TROLLEY (40-0085)

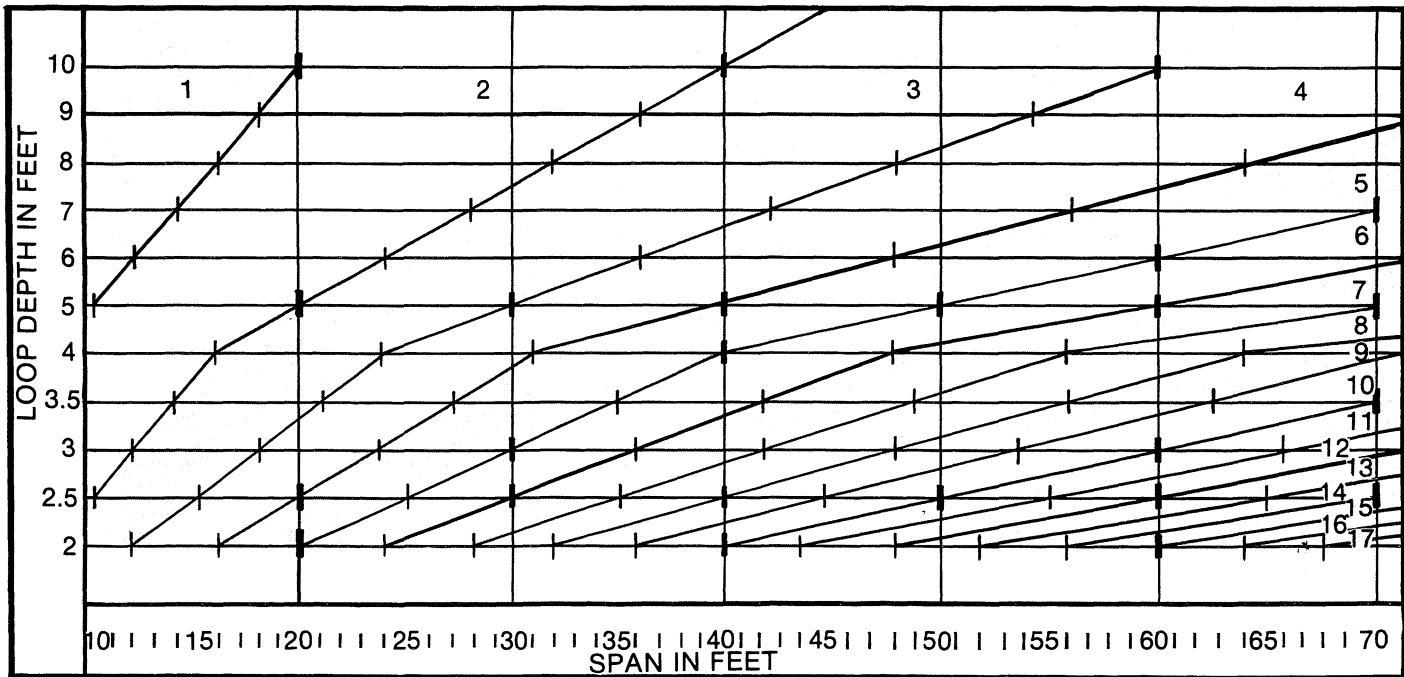
Consists of two 4-wheel trolleys, loadbar, cable saddle assembly, and a junction box from which the pendant is suspended. The junction box is designed to pivot at right angles to the track to provide free movement of the pendant and help prevent kickup of the trolleys in the track. Electrical cable and connectors may be selected on page 826-1 and pushbutton stations may be selected on page 830-3. The Pendant Support Trolley is used in addition to the quantity of trolleys shown in the chart below.



TROLLEY SELECTION

The number of trolleys required for a given span of a festooning system is dependent upon the depth of the loops of electrical cable in the storage position. Loop depth is dictated by overhead clearance requirements. A normal loop depth is 3½'. Once the loop depth is determined, the proper number of trolleys may be selected from the chart.

NUMBER OF TROLLEYS



NOTES:

1. Pendant Support Trolleys are in addition to trolley quantity selected above.
2. Storage space is 5" per 821.201 trolley and 3" per 821.202 trolley.
3. Contact Fairfield office for speeds over 250 fpm.
4. 821 Festooning Systems are not designed for use in spark resistant applications. Contact Fairfield office for spark resistant festooning systems.
5. Festooning track splices should be spot welded to both track sections to help prevent movement.
6. To determine electrical cable length add 6' to the overall length of the crane bridge or runway.



**WARNING Disconnect Power
Before Working on or Near Any
Electrical Components.**

The following chart is provided for the proper selection of electrical cable and cable connectors for each application. Related control components may be found in Section 830.

Catalog Number	Cable Part Number	Type	AWG	No. Cond	Dia. or Width (")	Weight (lb/ft)	Max Current (Amps)	Connector Part No.	Req'd Hole Dia. (")
826.101	22-0116	RN	16	4	.485	.15	12	22-0378	½"
826.102	22-0117	RN	16	8	.645	.25	9.6	22-0381	¾"
826.103	22-0118	RN	16	12	.740	.34	9.6	22-0381	¾"
826.104	22-0119	RN	16	16	.825	.43	9.6	22-0384	1"
826.105	22-0120	RN	16	20	.900	.52	9.6	22-0384	1"
826.106	22-0132	RN	16	24	1.015	.64	9.6	22-0384	1"
826.107	22-0109	RN	14	4	.605	.23	26	22-0381	¾"
826.108	22-0110	RN	14	6	.740	.34	20.8	22-0381	¾"
826.109	22-0111	RN	14	9	.905	.46	20.8	22-0384	1"
826.110	22-0140	RN	14	10	.905	.48	20.8	22-0384	1"
826.111	22-0112	RN	14	12	.930	.53	20.8	22-0384	1"
826.112	22-0101	RN	12	3	.640	.26	33	22-0381	¾"
826.113	22-0090	RN	10	3	.695	.32	43	22-0381	¾"
826.201	22-0145	FP	16	8	1.06	.20	9.6	22-0370	1¼"
826.202	22-0146	FP	16	12	1.50	.30	9.6	22-0372	1½"
826.203	22-0147	FP	14	4	.88	.20	26	22-0369	1"
826.204	22-0148	FP	14	8	1.06	.30	20.8	22-0370	1¼"
826.205	22-0149	FP	14	12	1.50	.35	20.8	22-0372	1½"
826.206	22-0150	FP	12	4	.88	.23	33	22-0369	1"
826.207	22-0151	FP	10	4	.88	.25	43	22-0374	1"
826.208	22-0152	FP	6	4	1.50	1.00	86	22-0373	1½"

- R Round
- F Flat
- N Neoprene
- P PVC



Maximum Current

To determine conductor size use 100% of the current requirements of largest motor or motors required for any single motion plus 50% of the current requirement for the next larger motor or group of motors for a single motion.

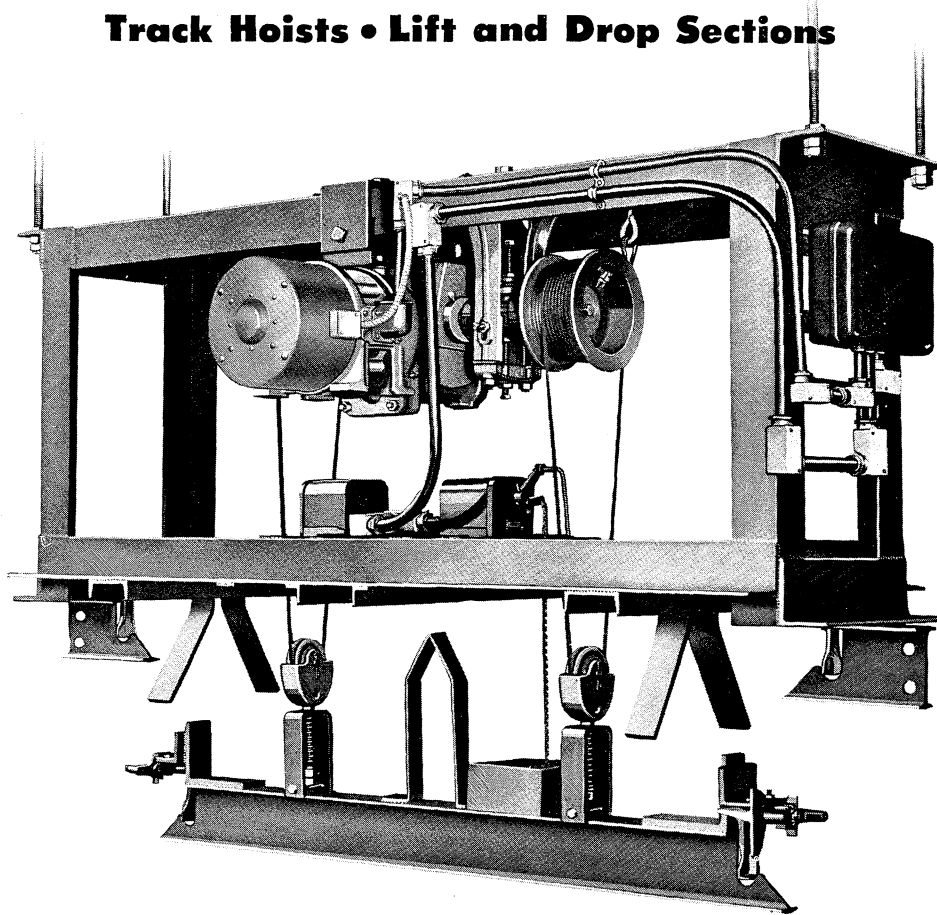
Full Load Current for Three-Phase Induction Type Squirrel-Cage and Wound-Rotor Motors

HP	230V	460V	575V
1/2	2	1	.8
3/4	2.8	1.4	1.1
1	3.6	1.8	1.4
1 1/2	5.2	2.6	2.1
2	6.8	3.4	2.7
3	9.6	4.8	3.9
5	15.2	7.6	6.1
7 1/2	22	11	9
10	28	14	11
15	42	21	17
20	54	27	22
25	68	34	27

NOTE: For power use minimum 14 Ga. wire.



Track Hoists • Lift and Drop Sections



Many monorail systems requiring multiple carriers, and where hoisting occurs only at one or few fixed locations, can be installed with great economy by the use of Track Hoists, Lift or Drop Sections at the hoisting positions. Thus, the requirement for hoist equipment on each and every carrier is eliminated and the overall cost reduced accordingly.

Also, some monorail layouts, because of necessary arrangement of existing or planned building facilities, require an abrupt change in elevation of the monorail. The installation of a Track Hoist or Lift Section meets this requirement effectively.

All of these devices are designed to raise and lower a section of the monorail track long enough to accommodate the overall length of the carrier trolley. The ends of both the live and aligning tracks are equipped with positive mechanical baffles to prevent a carrier from running off the open end of any track. The space between baffles on the live track should be not less than one foot greater than the overall wheelbase of the carrier.

Track Hoists, floor supported, in four post and two post construction, are illustrated on pages 2 and 3

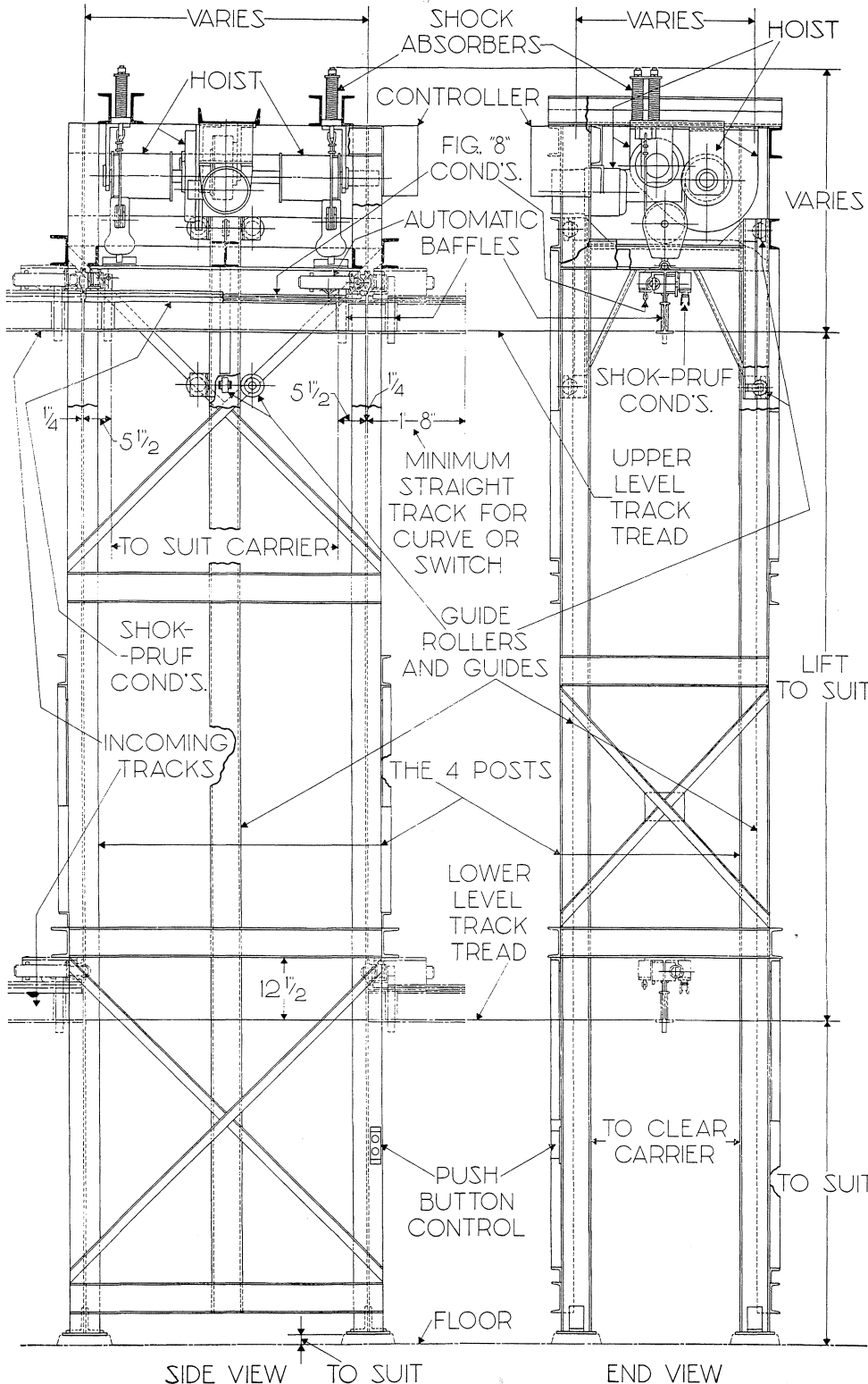
of this bulletin. Lift Sections, ceiling supported, end guided and for two level operation, are shown and discussed on page 4. Two types of Drop Sections, not guided and with two hoist arrangements, will be found on pages 5 and 6.

Track Hoists, Lift or Drop Sections can be designed to any working load contemplated by the monorail system of which it is a part. Structural, mechanical, pneumatic and hydraulic design is in keeping with the best standard practice within these fields as is all shop fabrication with all welding performed by certified welders.

Electric hoists are commonly employed to provide the lifting power for these devices, however both pneumatic and hydraulic cylinders with cable or chain reeving are used. Air cylinders may provide some economy in cost where the loads are relatively light, the vertical travel is a fixed and constant dimension, and speed control is not of great importance. Hydraulic cylinders are best adapted to the hoisting of heavier loads and where precise control is a prerequisite. They also work well with automatic, unattended operation as required with Loudon Selectomatic Systems.

Track Hoists • Floor Supported

Four Post Type • Single or Multi-Level



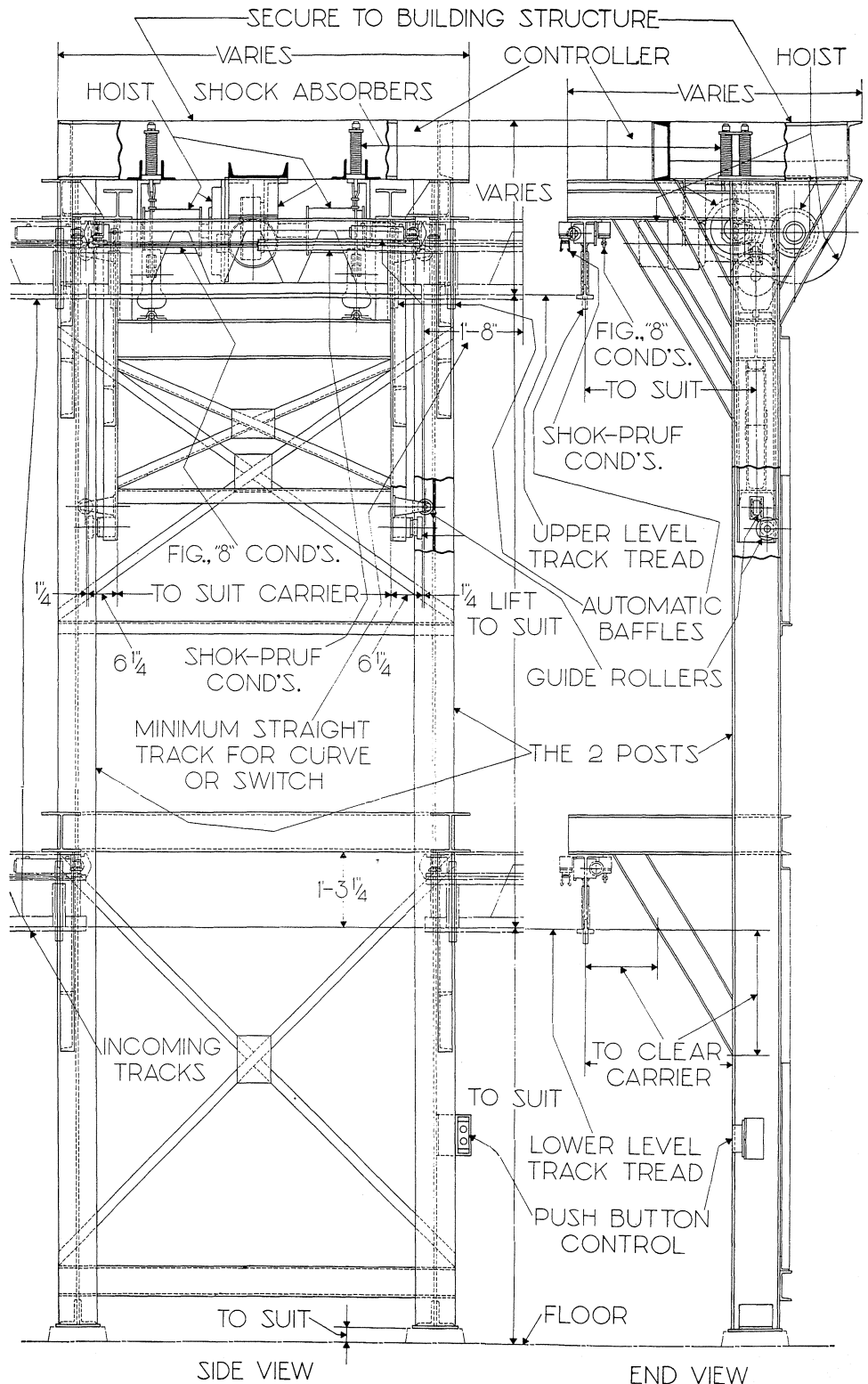
The four post, floor supported Track Hoist is used properly where there is no adequate overhead supporting structure, where the entire vertical travel must be guided, and where it is necessary for the live track section to align with tracks at two or more levels and at considerable difference in elevation. The four structural columns together with the hoist supports, aligning track supports and bracing, can be designed to be a completely self contained, self supporting structure.

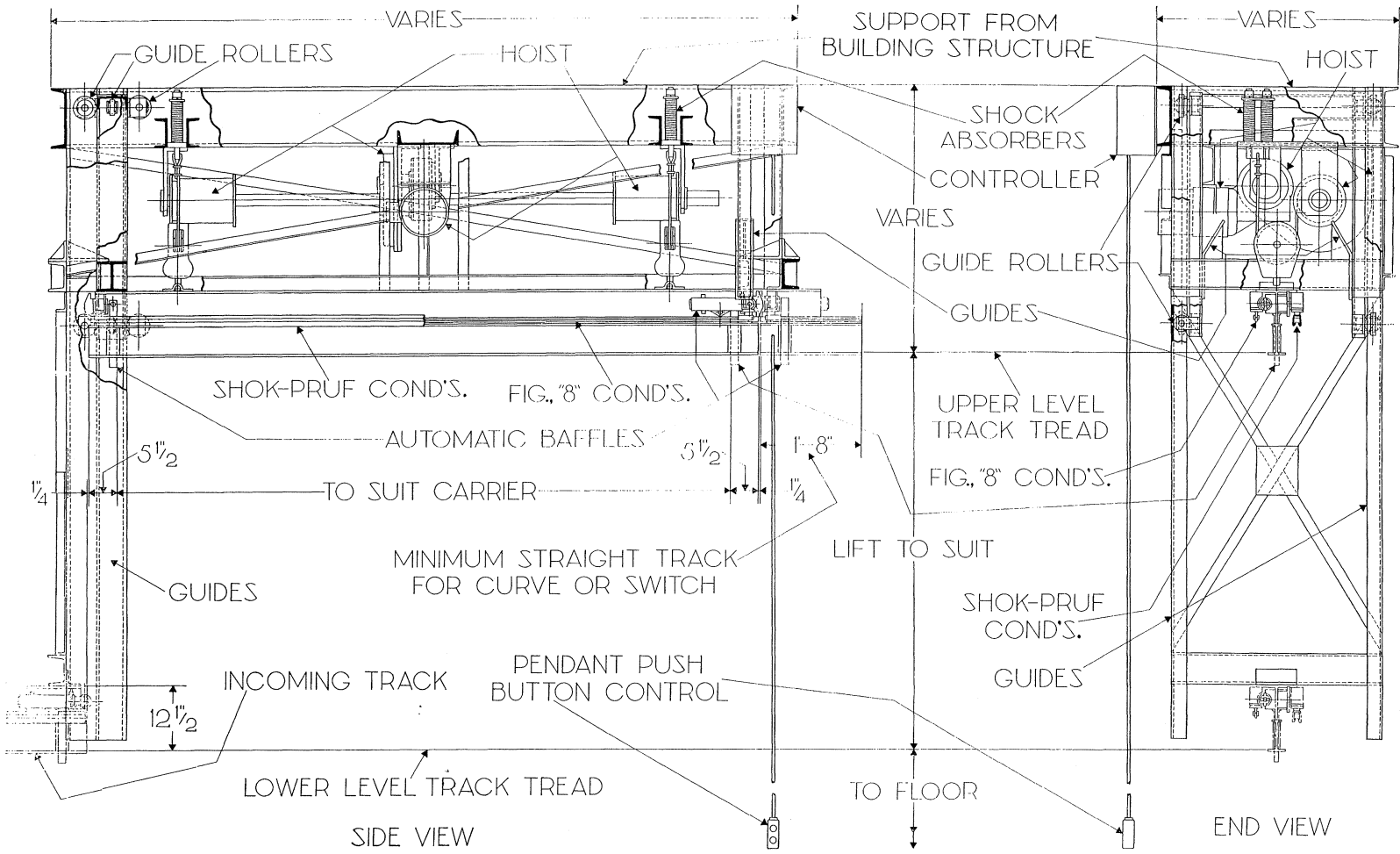
Track Hoists • Floor Supported

Two Post Type • Side Guided • Single or Multi-Level

The two post, floor supported, side guided Track Hoist, like the four post design, is used where there is no adequate overhead supporting structure and where the entire vertical travel must be guided. It can be used to align with tracks at two or more levels, but usually not with extremely long lifts. While the two columns and their bracing carry the entire vertical loading, the top of the structure must be laterally braced against the overturning moment from the cantilevered load.

The principal advantage of this construction is that it leaves one side of the area adjacent to the Track Hoist entirely open as a work area free from interference from columns or other supporting structure.





Lift Sections • Ceiling Supported
End Guided • Two Level

When the monorail layout requires an abrupt change in track elevation, and there is adequate overhead supporting structure, the Ceiling Supported, End Guided Lift Section can be installed at the least original cost of any of the guided types of Track Hoists and Lift Sections. Its operating characteristics are excellent and, being guided at one end, accurate alignment

with the connecting tracks is assured.

Because there are no obstructions below the track, this type of lift section can be used to advantage with abnormally wide loads.

The general arrangement and advantages make this one of the most frequently used of the track elevating devices described and illustrated in this section.

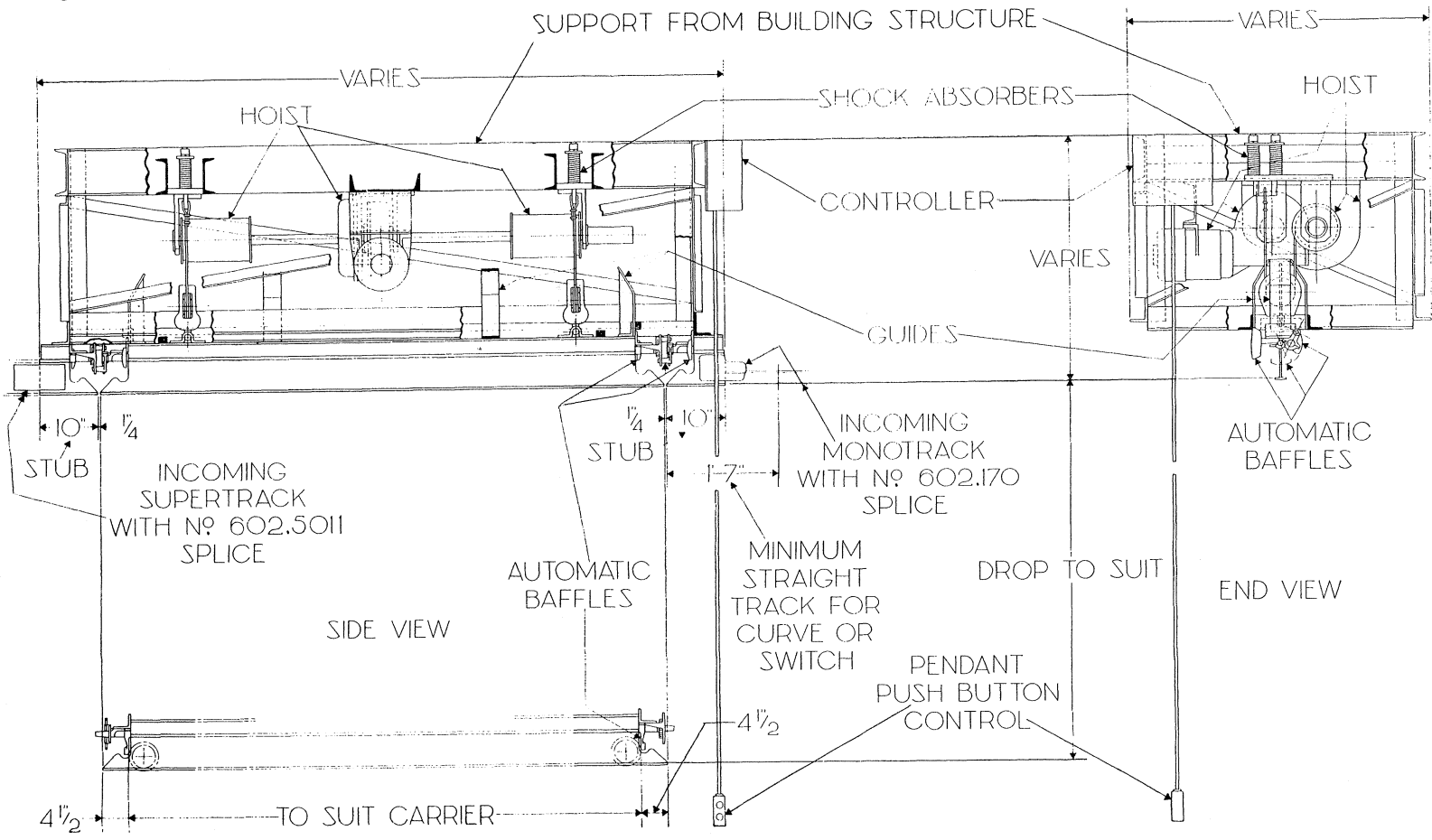


Drop Sections • Ceiling Supported

Not Guided • Electric Hoist Mounted Above

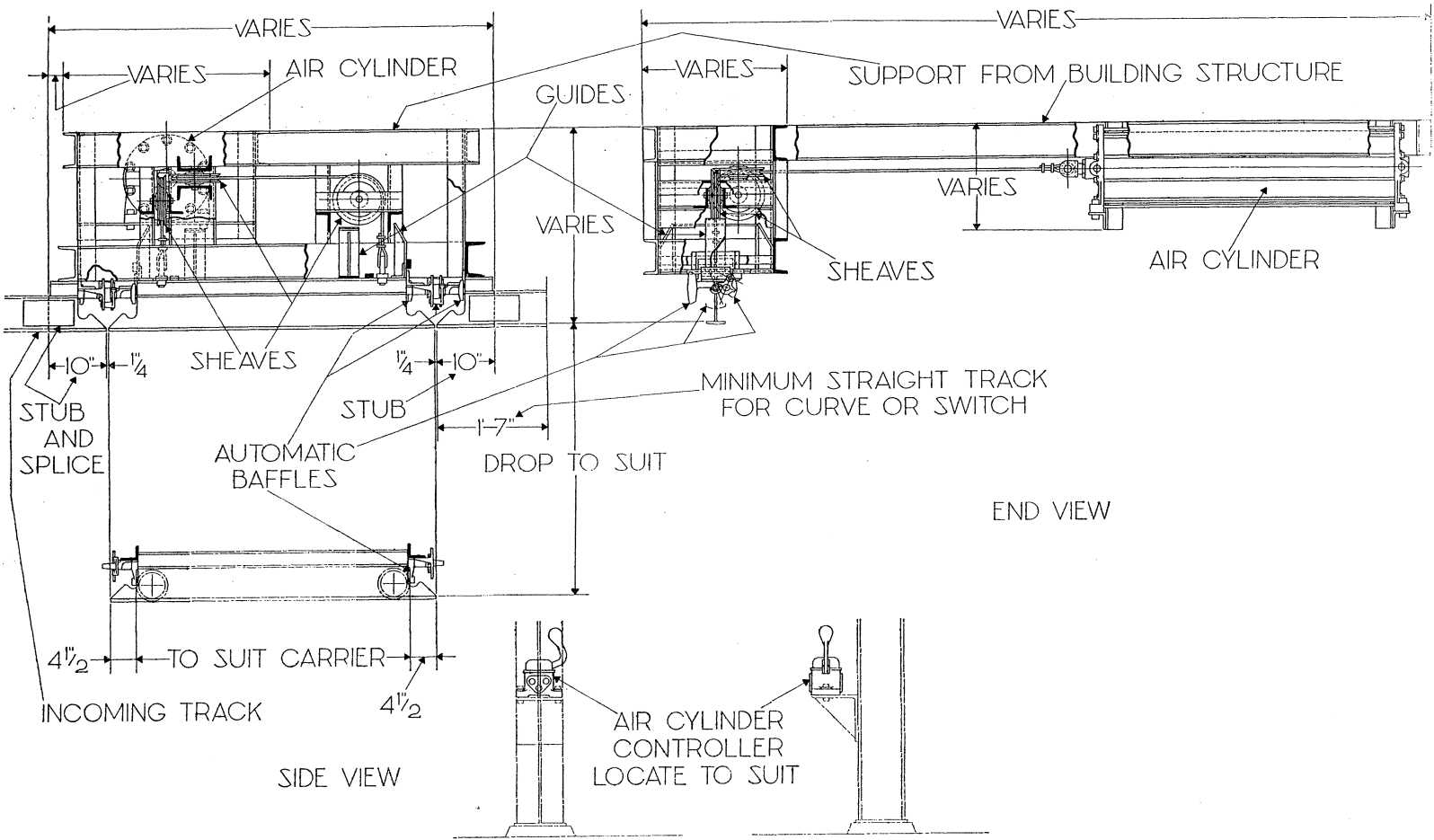
Where the space between the track and an adequate overhead supporting structure is not limited, a Ceiling Supported Drop Section, without guides and with hoist mounted above, will provide the most economical of all the track elevating devices in this section. Although at the lower limit the track section hangs freely on the hoist cables and can swing from side to side, guides are provided at the upper limit to align the

track section accurately with the connecting track. The most frequent requirement for this type is where loading and unloading of carriers occurs only at one or two points on a monorail system and some tendency for the load to swing is not objectionable. Dipping operators for cleaning and painting are also frequently served by the Drop Section illustrated on this page.



Drop Sections • Ceiling Supported

Not Guided • Air Cylinder Hoist Mounted at Side



This is basically the same machine as that described and illustrated on page 5, except limited headroom requires that the hoist be mounted at one side of the track. Its uses and advantages are the same as that with the hoist overhead, with the additional advantage that it can be installed where headroom is limited.

Usually furnished with pneumatic or hydraulic cylinder hoists, the ceiling supported drop section can be equipped with an electric hoist which must be set to one side far enough to provide proper lead off drums and the directional sheaves in the Drop Section frame.

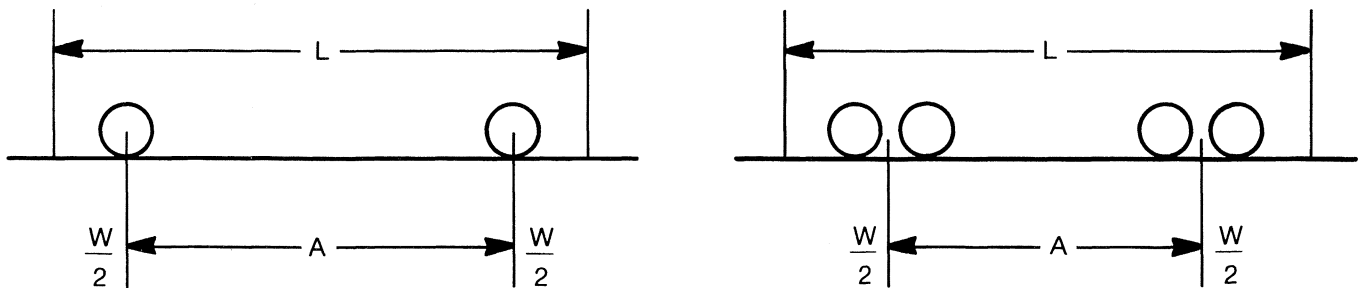


LOUDEN® FACTORS FOR CONVERTING LOADS ON TROLLEYS AND CRANE TRUCKS TO EQUIVALENT CENTER LOADS AND MAXIMUM HANGER LOADS

1101-1
Issued 9-7-01

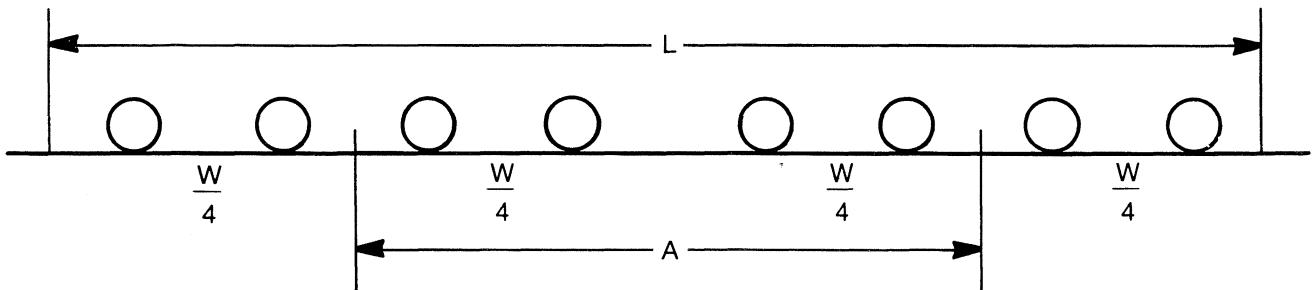
L = Span A = Wheelbase (Both in feet or in inches)
 W = Total Gross Load Including Impact
 E.C.L. = Equivalent Center Load = K x W
 M.H.L. = Maximum Hanger Load = K1 x W plus Wt. of Span

For Four and Eight Wheel Trolleys and Trucks



A/L*	.10	.15	.20	.25	.30	.35	.40	.45	.50	.55	.60	.65	.70	.75	.80	.85	.90	.95	1.00
K	.903	.856	.810	.766	.723	.681	.640	.601	.562	.536	.500	.500	.500	.500	.500	.500	.500	.500	.500
K1	.950	.925	.900	.875	.850	.825	.800	.775	.750	.732	.707	.700	.650	.625	.600	.551	.530	.525	.500

For Sixteen Wheel Trolleys and Trucks



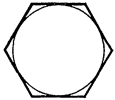
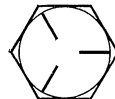
A/L*	.10	.15	.20	.25	.30	.35	.40	.45	.50	.55	.60	.65	.70	.75	.80	.85	.90	.95	1.00
K	.901	.851	.803	.754	.706	.658	.610	.563	.516	.482	.460	.450	.400	.376	.350	.327	.300	.290	.281
K1	.950	.925	.900	.875	.850	.825	.800	.775	.750	.732	.707	.700	.650	.625	.600	.551	.545	.525	.500

*When calculated values of A/L fall between those shown in the table, use values for K and K1 from the column at left — thus when A/L = .53, use K and K1 under A/L = .50.

NOTE!

The above factors for E.C.L. compute approximate values only. Always select the track or girder size with a greater tabular value than the calculated E.C.L.

**Comparison of Standard and High Tensile Bolts**

SPECIFICATION	MATERIAL	BOLT DIA. IN.	TENSILE STRENGTH PSI (MIN. ULT.)	HEAD MARKING
ASTM-A307 & SAE Grade 1 (Standard)	Low Carbon Steel	All Sizes	55,000	
ASTM-A325 & SAE Grade 5 (High Tensile)	Med. Carbon Stl., Quenched & Tempered	Up to 3/4" From 3/4" to 1" From 1" to 1 1/2"	120,000 115,000 105,000	

NOTES: Above from Industrial Fasteners' Institute, "Bolt, Nut and Rivet Standards".

ASTM-A325 Bolt Heads will also show marking, "A325".

SAE Grade 5 Bolt Heads will also show manufacturer's identification mark.

**SAFE WORKING LOAD IN LBS. WITH SAFETY FACTOR OF 5, FOR COARSE THREAD BOLTS
WITH WEIGHTS PER 100 FOR 4 INCH LENGTHS**

BOLT DIA. IN.	TENSILE STRESS AREA	STANDARD BOLTS	HIGH TENSILE BOLTS	APPROX. WEIGHT LBS.
		WORKING LOAD LBS.	WORKING LOAD LBS.	
1/2	.142	1,560	2,410	24.5
5/8	.226	2,490	5,420	39.7
3/4	.334	3,670	8,010	59.4
7/8	.462	5,080	10,630	83.9
1	.606	6,670	13,940	114.0
1-1/8	.763	8,390	16,020	148.0
1-1/4	.969	10,660	20,350	191.0

NOTES:

Sizes 1/2" through 1" diameter high tensile bolts are furnished as SAE Grade 5. 1-1/8" and 1-1/4" sizes are furnished as ASTM-A325. Grade 5 bolts are subject to the same proof load tests as A325 bolts, but certification is not required for Grade 5.

Possible combined loadings of tension and bending must be considered when selecting proper bolt size.

