

Welcome!

Please make your selections below to **view, search** or **print** ACCO Material Handling Solutions WRIGHT® SPEEDWAY® and WRIGHT® WORK-RATED® product pages.

WRIGHT® SPEEDWAY® THE NEW CENTURY SERIES®

1T to 5T

HOISTS

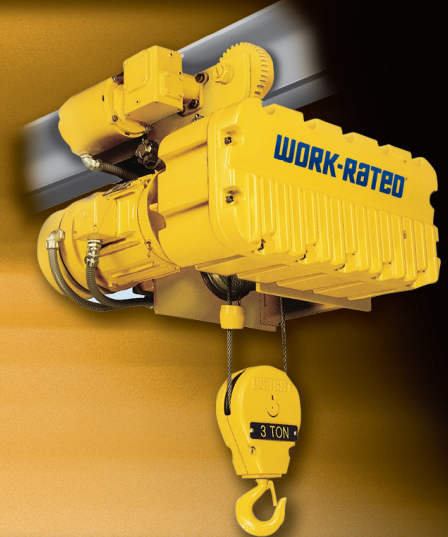


VIEW

←----- Click to view a complete list of SPEEDWAY® specifications pages

WRIGHT® WORK-RATED®

1T to 25T



VIEW

←----- Click to view a complete list of WORK-RATED® specifications pages

SEARCH

←----- Click to search by **MODEL NUMBER**

*When searching for Monorail and Close Headroom Cross-Mounted Monorail hoists:
Replace L, P, G or M in the MODEL NUMBER with an asterisk **

To search for Model Number: C1W03S020-15P4S0

Enter the following: C1W03S020-15*4S0

PRINT

←----- Click to print. Enter the following page ranges when printing:

SPEEDWAY® Specification pages:

Print pages 5 to 47

WORK-RATED® Specification pages:

Print pages 48 to 189

WRIGHT® SPEEDWAY® THE NEW CENTURY SERIES®

1T to 5T

HOISTS


[Click to view](#)

SPEEDWAY Monorail Hoists

[Features and benefits](#)

- 1 Ton [Single Reeved Specifications](#)
- 2 Ton [Single Reeved Specifications](#)
- 3 Ton [Single Reeved Specifications](#)
- 4 Ton [Single Reeved Specifications](#)

- 1 Ton [Double Reeved Specifications](#)
- 2 Ton [Double Reeved Specifications](#)
- 3 Ton [Double Reeved Specifications](#)
- 5 Ton [Double Reeved Specifications](#)

SPEEDWAY Close Headroom Cross Mounted Hoists

[Features and benefits](#)

- 1 Ton [Double Reeved Specifications](#)
- 2 Ton [Double Reeved Specifications](#)
- 3 Ton [Double Reeved Specifications](#)
- 5 Ton [Double Reeved Specifications](#)

SPEEDWAY Top Running Trolley Hoists

[Features and benefits](#)

- 1 Ton [Single Reeved Specifications](#)
- 2 Ton [Single Reeved Specifications](#)
- 3 Ton [Single Reeved Specifications](#)
- 4 Ton [Single Reeved Specifications](#)

- 1 Ton [Double Reeved Specifications](#)
- 2 Ton [Double Reeved Specifications](#)
- 3 Ton [Double Reeved Specifications](#)
- 5 Ton [Double Reeved Specifications](#)

[Click to view](#)

SPEEDWAY Deck Mounted Hoists

[Features and benefits](#)

- 1 Ton [Single Reeved Specifications](#)
- 2 Ton [Single Reeved Specifications](#)
- 3 Ton [Single Reeved Specifications](#)
- 4 Ton [Single Reeved Specifications](#)

- 1 Ton [Double Reeved Specifications](#)
- 2 Ton [Double Reeved Specifications](#)
- 3 Ton [Double Reeved Specifications](#)
- 5 Ton [Double Reeved Specifications](#)

SPEEDWAY Base Mounted Winches

[Features and benefits](#)

- 1/2 Ton [Single Reeved Specifications](#)
- 1 Ton [Single Reeved Specifications](#)
- 1/2 Ton [Double Reeved Specifications](#)
- 1 Ton [Double Reeved Specifications](#)
- 1-1/2 Ton [Double Reeved Specifications](#)

WRIGHT® WORK-RATED®

1T to 25T


[Click to view](#)

WORK-RATED Monorail Hoists

Features and benefits

1 Ton	Single Reeved Specifications
2 Ton	Single Reeved Specifications
3 Ton	Single Reeved Specifications
5 Ton	Single Reeved Specifications
7-1/2 Ton	Single Reeved Specifications
10 Ton	Single Reeved Specifications
15 Ton	Single Reeved Specifications
20 Ton	Single Reeved Specifications

1 Ton	Double Reeved Specifications
2 Ton	Double Reeved Specifications
3 Ton	Double Reeved Specifications
5 Ton	Double Reeved Specifications
7-1/2 Ton	Double Reeved Specifications
10 Ton	Double Reeved Specifications
15 Ton	Double Reeved Specifications
20 Ton	Double Reeved Specifications
25 Ton	Double Reeved Specifications

WORK-RATED Close Headroom Cross Mounted Hoists

Features and benefits

1 Ton	Double Reeved Specifications
2 Ton	Double Reeved Specifications
3 Ton	Double Reeved Specifications
5 Ton	Double Reeved Specifications
7-1/2 Ton	Double Reeved Specifications
10 Ton	Double Reeved Specifications

WORK-RATED Top Running Trolley Hoists

Features and benefits

1 Ton	Single Reeved Specifications
2 Ton	Single Reeved Specifications
3 Ton	Single Reeved Specifications
5 Ton	Single Reeved Specifications
7-1/2 Ton	Single Reeved Specifications
10 Ton	Single Reeved Specifications
15 Ton	Single Reeved Specifications
20 Ton	Single Reeved Specifications

1 Ton	Double Reeved Specifications
2 Ton	Double Reeved Specifications
3 Ton	Double Reeved Specifications
5 Ton	Double Reeved Specifications
7-1/2 Ton	Double Reeved Specifications
10 Ton	Double Reeved Specifications
15 Ton	Double Reeved Specifications
20 Ton	Double Reeved Specifications
25 Ton	Double Reeved Specifications

[Click to view](#)

WORK-RATED Deck Mounted Hoists

Features and benefits

1 Ton	Single Reeved Specifications
2 Ton	Single Reeved Specifications
3 Ton	Single Reeved Specifications
5 Ton	Single Reeved Specifications
7-1/2 Ton	Single Reeved Specifications
10 Ton	Single Reeved Specifications
15 Ton	Single Reeved Specifications
20 Ton	Single Reeved Specifications

1 Ton	Double Reeved Specifications
2 Ton	Double Reeved Specifications
3 Ton	Double Reeved Specifications
5 Ton	Double Reeved Specifications
7-1/2 Ton	Double Reeved Specifications
10 Ton	Double Reeved Specifications
15 Ton	Double Reeved Specifications
20 Ton	Double Reeved Specifications
25 Ton	Double Reeved Specifications

WORK-RATED Base Mounted Winches

Features and benefits

1 Ton	Single Reeved Specifications
1-1/2 Ton	Single Reeved Specifications
2-1/2 Ton	Single Reeved Specifications
3-3/4 Ton	Single Reeved Specifications
5 Ton	Single Reeved Specifications

1 Ton	Double Reeved Specifications
1-1/2 Ton	Double Reeved Specifications
2-1/2 Ton	Double Reeved Specifications
3-3/4 Ton	Double Reeved Specifications
5 Ton	Double Reeved Specifications
6-1/4 Ton	Double Reeved Specifications

Contact Information



ACCO Material Handling Solutions

P.O. Box 792
York, PA 17405

Phone: 800-967-7333
Fax: 800-715-8897

www.accomhs.com



THE NEW CENTURY SERIES®

Electric Wire Rope Hoists

Issued 06-01-12

Monorail Hoist Features & Benefits

1 TO 5 TON

Wright family of *SPEEDWAY* hoists is a complete line of electric wire rope hoists. It is an advanced design incorporating the most recent materials and concept. The most current duty cycle and safety requirements of users are built into this line, not added on.

CONSTRUCTION FEATURES:

CONTROLS: Choose from single, 2-speed, or inverter. Controls are magnetic reversing type, mechanically and electrically interlocked with 115 volt control circuit. All wiring conforms to applicable NEC requirements. Motor thermostats are standard providing motor running overcurrent protection. NEMA Type 3R enclosures are standard. Cover is lightweight, tough ABS material, deep-drawn for maximum control accessibility.

PUSH BUTTON STATION: Push button stations are not furnished as standard equipment with these hoists. Push button station drop of cord & strain chain are available as optional equipment. See Accessories Section. Specify required drop.

MOTOR: Standard NEMA C face mounting, TENV, Class F insulation, 30-minute duty motor is provided for standard commercial power supplies. The motor has a standard NEMA shaft extension.

GEAR TRAIN: Quiet, helical and spur gearing. All gears are machine cut, case-hardened alloy steel with shock-resistant ductile cores. Gearing is designed to AGMA standards for maximum life, and operates in an oil bath. Rugged aluminum alloy housing provides rapid heat dissipation.

BEARINGS - SPIDER RETAINER: Precision heavy-duty ball bearings support all shafts. Bearings at outboard end of shafts are held in place by a heavy-duty Spider Retainer. This allows removal of Gear Housing Cover for inspection (after draining oil). All internal parts remain in place and can be operated for inspection.

DRUM: The large diameter steel drum has machined grooves and large flanges. At least two full turns of rope remain on the drum at the lowest hook position of rated lift.

LOAD BLOCK- HOOK: Drop forged heat-treated steel hook swivels 360° on a shielded roller thrust bearing and comes equipped with a spring latch. Work can be performed on the load block without removing wire rope from drum. Sheaves are machined steel.

WIRE ROPE: Pre-formed wire rope, of hoisting service construction, has swaged fittings on both ends for ease of replacement if necessary.

MECHANICAL LOAD BRAKE: Automatic Weston-type multiple disc brake. It can hold a full capacity load independent of motor brake and assures that the load does not accelerate while being lowered. Adjustment is not required.

MOTOR BRAKE: Proven in millions of hours of in-service operation, the original *Wright* A-C magnet-actuated disc brake delivers rapid stops with virtually no hook drift. Rated a minimum of 150% of full load motor torque.

LIMIT SWITCH: A gravity-type upper hook travel limit switch is provided. The unit is equipped with an automatic momentary lowering circuit. An optional geared limit switch is also available.

TROLLEY FRAME: The trolley frame shall be built of steel and precision machined to assure proper alignment of trolley wheels and drives.

TROLLEY WHEELS: 1 to 2 ton trolley wheels are heat treated gray iron. Each wheel supported on anti-friction bearings suitable to take radial and thrust loads. The trolley wheels have crowned treads for operation on tapered or flat flange beams. The wheels shall be lubricated at the factory with sodium base grease.

TROLLEY WHEELS: 3 and 5 ton trolley wheels shall have tread surfaces machined and hardened to 375-425 Brinell. Each wheel shall be supported on anti-friction bearings suitable to take radial and thrust loads. The wheels shall be lubricated at the factory with sodium base grease. The trolley wheels have dual tread for operation on tapered or flat flange beams. Wheel treads shall be smooth, true and uniform within .010 inch tread diameter on all wheels.

TROLLEY DRIVE: The trolley drive shall be a right angle worm gear reducer fully enclosed with a steel worm and bronze worm wheel designed to AGMA standards. The final gear reduction at trolley wheels will be spur gears and will be open. The trolley drive motor shall be TENV 30 minute duty with class F insulation and NEMA C face mounting. A spring set A.C. disc type brake is available as optional equipment.

TROLLEY CONTROLS: Choose from single, 2-speed, or inverter. Single and 2-speed controls are available with ACM solid state cushion start for smooth travel motion and excellent load control as optional equipment.

OPTIONAL OVERLOAD CUTOFF: Protects load, hoist and operator by interrupting raising circuit when hoist senses a damaging overload. When lifting circuit is interrupted, the lowering circuit remains intact to allow the load to be lowered and removed. After the overload is removed the lifting circuit is automatically restored. Overload Cutoff is accessible for field adjustments.



800-967-7333 www.accomhs.com



Equipment described herein is not designed for, and should not be used for, lifting, supporting, or transporting humans. Modifications to upgrade, rerate, or otherwise alter the hoist or crane equipment shall be authorized only by the original manufacturer or qualified professional engineer. Failure to comply with any one of the limitations noted herein may result in serious bodily injury.
© 2012 ACCO Material Handling Solutions

WRIGHT®
SPEEDWAY®

Monorail Hoist Features & Benefits

1 TO 5 TON

THE NEW CENTURY SERIES®

Electric Wire Rope Hoists

Issued 06-01-12

HOW TO SPECIFY A *SPEEDWAY* HOIST

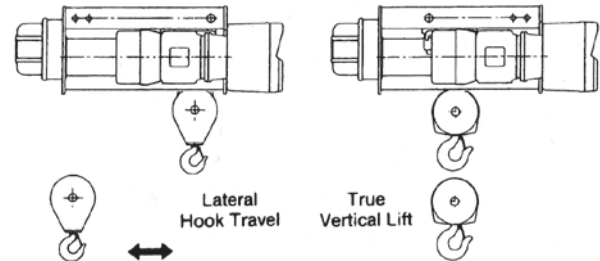
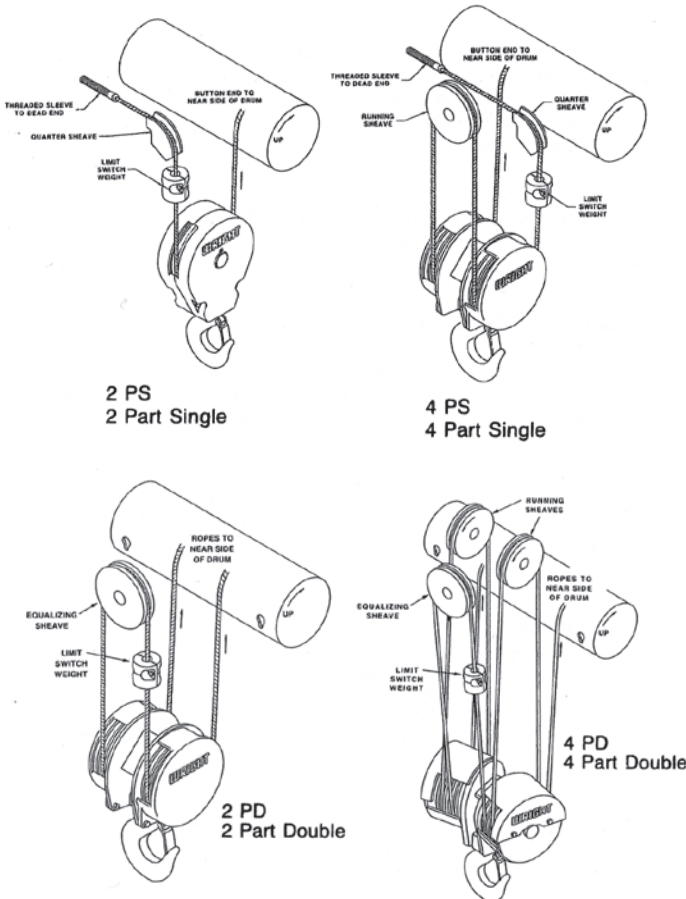
1. DETERMINE THE CAPACITY, LIFTING SPEED AND LIFTING DISTANCE.

2. DETERMINE THE REEVING REQUIRED FOR YOUR APPLICATION. *SPEEDWAY* hoists may be reeved in various ways to gain desired mechanical advantages ... capacity, lifting distance, and lifting speeds.

Reeving terminology is either "single" or "double" which refers to the number of wire ropes coming from the drum.

Another word is "part" which refers to the mechanical advantage gained by multiple reeving. For example, with 2 part single reeving (2 PS) the load is distributed over the two parts and the mechanical advantage doubles the capacity of one part reeving and reduces by one half the lifting or lowering speed of the hook.

Reeving changes hoist arrangement to the beam or track, minimum headroom distance, and lateral hook travel.



Some applications require that the load, when being lifted, not move right or left from hoist centerline. If this requirement is known, a true vertical lift hoist must be used. These are described as double reeved.

3. SPECIFY PROPER MODEL NUMBER in regard to hoist. Capacity, lifting speed, mounting and hoist control found in the following pages.

4. SPECIFY MOTOR VOLTAGE: *Wright* standard motors are available in 200/230/460/575-3-60 power with Class F insulation, and are totally enclosed non-ventilated. Control is furnished as standard equipment. Additional motor and control accessories are found in the Accessories Section.

5. SPECIFY BEAM FLANGE WIDTH: *SPEEDWAY* trolleys are adjustable for Standard I beam or WF beam, 4 inch to 11 inch flange width. *Beam size must be specified.* Trolleys are also available for 3.25 or 3.33" patented track beams. Trolleys for WF beams with flange widths greater than 11 inches available. See Accessories. All reference to beam flange widths are for clearance purposes only and do not imply that lower flange of beam will support hoist with load.

6. SPECIFY OTHER MODIFICATIONS AND ACCESSORIES.

7. SPECIAL APPLICATION HOISTS: Contact your nearest *Wright* representative.

8. FOR CURVED TRACK APPLICATION, CONTACT FACTORY.

9. ACCO RESERVES THE RIGHT TO MAKE CHANGES TO THIS CATALOG AS MAY BE DEEMED NECESSARY.

ACCO Acco Material Handling Solutions 800-967-7333 www.accomhs.com

WARNING

Equipment described herein is not designed for, and should not be used for, lifting, supporting, or transporting humans. Modifications to upgrade, rerate, or otherwise alter the hoist or crane equipment shall be authorized only by the original manufacturer or qualified professional engineer. Failure to comply with any one of the limitations noted herein may result in serious bodily injury.
© 2012 ACCO Material Handling Solutions

WRIGHT®
SPEEDWAY®
THE NEW CENTURY SERIES®

Monorail Hoist
Series 31

2 Part Single Reeved
 1/4 Diameter Rope

1 TON

Electric Wire Rope Hoists
 Issued 06-01-12

For Pricing See Page 1mS

MODEL NUMBER	Lift (Ft)	Lift Speed (FPM)	HP	B	C	Hook Travel		T1	T2	Drum
						L	U			
C1W01S026-15*2S0	26	15	1	16-3/8	15-3/8	15/16	4-7/16	-	-	1
C1W01S059-15*2S0	59	15	1	23-3/8	22-3/8	15/16	11-7/16	8-3/16	11-3/8	2
C1W01S107-15*2S0	107	15	1	33-3/8	32-3/8	15/16	21-7/16	16-3/16	21-3/8	3
C1W01S026-20*2S0	26	20	2	16-3/8	15-3/8	15/16	4-7/16	-	-	1
C1W01S059-20*2S0	59	20	2	23-3/8	22-3/8	15/16	11-7/16	8-3/16	11-3/8	2
C1W01S107-20*2S0	107	20	2	33-3/8	32-3/8	15/16	21-7/16	16-3/16	21-3/8	3
C1W01S026-30*2S0	26	30	2	16-3/8	15-3/8	15/16	4-7/16	-	-	1
C1W01S059-30*2S0	59	30	2	23-3/8	22-3/8	15/16	11-7/16	8-3/16	11-3/8	2
C1W01S107-30*2S0	107	30	2	33-3/8	32-3/8	15/16	21-7/16	16-3/16	21-3/8	3
C1W01S026-40*2S0	26	40	3	16-3/8	15-3/8	15/16	4-7/16	-	-	1
C1W01S059-40*2S0	59	40	3	23-3/8	22-3/8	15/16	11-7/16	8-3/16	11-3/8	2
C1W01S107-40*2S0	107	40	3	33-3/8	32-3/8	15/16	21-7/16	16-3/16	21-3/8	3

*To complete Model Number insert L, P, G, or M in place of asterick.

All dimensions shown in inches unless otherwise specified. Dimensions which change with beam size are for minimum beam shown.

Speedway trolleys are adjustable for Standard I beam or WF beam, 4 inch to 11 inch flange width. Beam size must be specified. Trolleys are also available for 3.25 or 3.33" patented track beams. See **Accessories Section** for applications with flange width exceeding 11 inches.

All reference to beam flange widths are for clearance purposes only and do not imply that lower flange of beam will support hoist with load.

TROLLEY DATA:

SPEED	50 FPM	100 FPM
HP	1/2	1/2

All two speed trolley motors are 1800/600 RPM.

(a) Trolley Brake is available as optional equipment

(b) Dimension to the bottom of the control box changes from 17-1/8 to 23-1/4 with any of the following:

Single speed hoist and two speed trolley with ACM

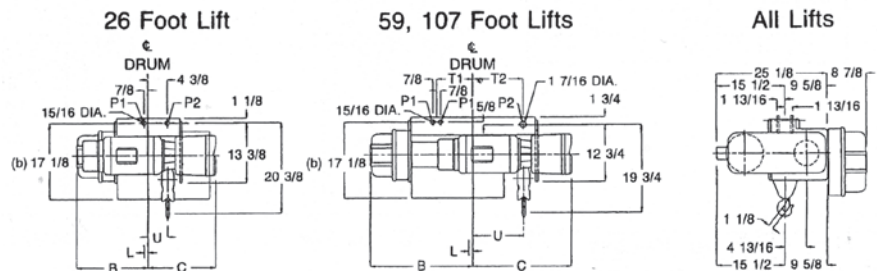
Two speed hoist and single speed trolley with ACM

Two speed hoist and two speed trolley with ACM

Two speed hoist greater than 2 horsepower and two speed trolley without ACM

LUG MOUNTED

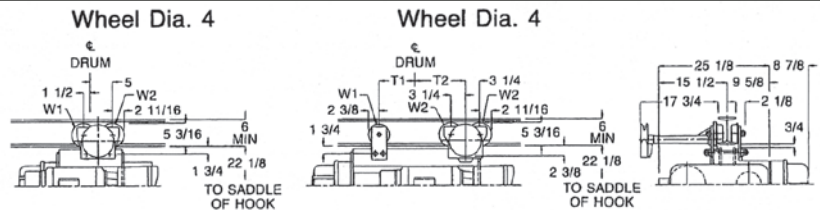
Lift (Ft)	Weight	Pin Load in Lbs. (Max)	
		P1	P2
26	380	2269	2162
59	440	719	2267
107	527	705	2308



PLAIN OR GEARED TROLLEY

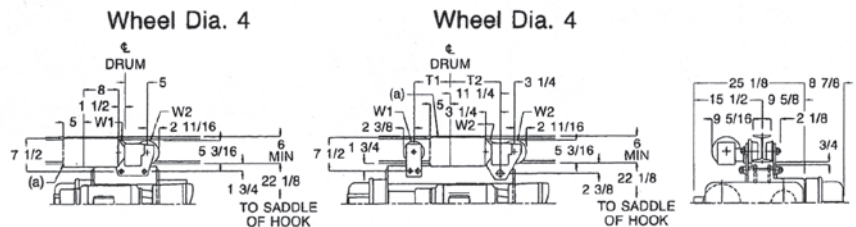
Lift (Ft)	Weight*	Wheel Load in Lbs. (Max)	
		PR.W1	PR.W2
26	435	2027	1946
59	510	1459	1159
107	597	1430	1179

* Add 40 Lbs. for Geared Trolley.



MOTORIZED TROLLEY

Lift (Ft)	Weight	Wheel Load in Lbs. (Max)	
		PR.W1	PR.W2
26	500	2060	1979
59	575	1459	1191
107	662	1430	1212



ACCO Acco Material Handling Solutions 800-967-7333 www.accomhs.com

WARNING

Equipment described herein is not designed for, and should not be used for, lifting, supporting, or transporting humans. Modifications to upgrade, rerate, or otherwise alter the hoist or crane equipment shall be authorized only by the original manufacturer or qualified professional engineer. Failure to comply with any one of the limitations noted herein may result in serious bodily injury.

© 2012 ACCO Material Handling Solutions

Sm1



THE NEW CENTURY SERIES®

Electric Wire Rope Hoists

Issued 06-01-12

Monorail Hoist Series 31

2 Part Single Reeved
5/16 Diameter Rope

2 TON

For Pricing See Page 2mS

MODEL NUMBER	Lift (Ft)	Lift Speed (FPM)	HP	B	C	Hook Travel		T1	T2	Drum
						L	U			
C1W02S022-15*2S0	22	15	2	16-3/8	15-3/8	1	4-7/16	-	-	1
C1W02S050-15*2S0	50	15	2	23-3/8	22-3/8	1	11-7/16	8-3/16	11-7/16	2
C1W02S090-15*2S0	90	15	2	33-3/8	32-3/8	1	21-7/16	16-3/16	21-7/16	3
C1W02S022-20*2S0	22	20	3	16-3/8	15-3/8	1	4-7/16	-	-	1
C1W02S050-20*2S0	50	20	3	23-3/8	22-3/8	1	11-7/16	8-3/16	11-7/16	2
C1W02S090-20*2S0	90	20	3	33-3/8	32-3/8	1	21-7/16	16-3/16	21-7/16	3
C1W02S022-30*2S0	22	30	4	16-3/8	15-3/8	1	4-7/16	-	-	1
C1W02S050-30*2S0	50	30	4	23-3/8	22-3/8	1	11-7/16	8-3/16	11-7/16	2
C1W02S090-30*2S0	90	30	4	33-3/8	32-3/8	1	21-7/16	16-3/16	21-7/16	3

*To complete Model Number insert L, P, G, or M in place of asterick.

All dimensions shown in inches unless otherwise specified. Dimensions which change with beam size are for minimum beam shown.

Speedway trolleys are adjustable for Standard I beam or WF beam, 4 inch to 11 inch flange width. Beam size must be specified. Trolleys are also available for 3.25 or 3.33" patented track beams. See **Accessories Section** for applications with flange width exceeding 11 inches.

All reference to beam flange widths are for clearance purposes only and do not imply that lower flange of beam will support hoist with load.

TROLLEY DATA:

SPEED	50 FPM	100 FPM
HP	1/2	1/2

All two speed trolley motors are 1800/600 RPM.

(a) Trolley Brake is available as optional equipment

(b) Dimension to the bottom of the control box changes from 15-7/8 to 21-7/8 with any of the following:

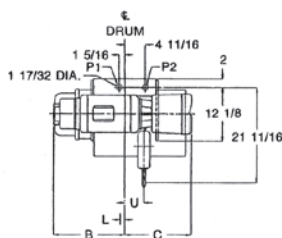
Single speed hoist and two speed trolley with ACM

Two speed hoist and single speed trolley with ACM

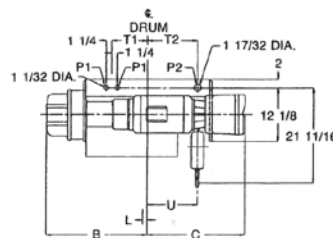
Two speed hoist and two speed trolley with ACM

Two speed hoist greater than 2 horsepower and two speed trolley without ACM

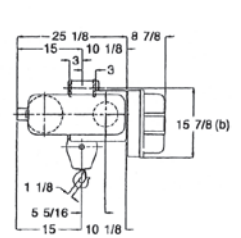
22 Foot Lift



50, 90 Foot Lifts



All Lifts



LUG MOUNTED

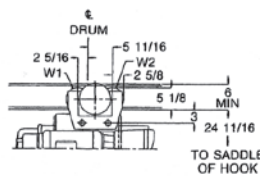
Lift (Ft)	Weight	Pin Load in Lbs. (Max)	
		P1	P2
22	398	4148	3900
50	463	1375	4246
90	552	1319	4303

PLAIN OR GEARED TROLLEY

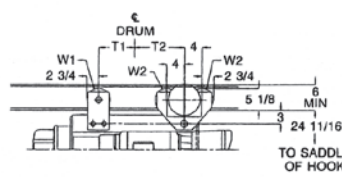
Lift (Ft)	Weight*	Wheel Load in Lbs. (Max)	
		PR.W1	PR.W2
22	496	3709	3524
50	616	2819	2169
90	705	2700	2197

* Add 40 Lbs. for Geared Trolley.

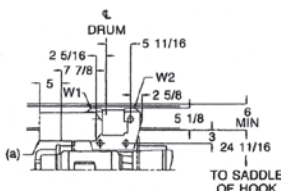
Wheel Dia. 4



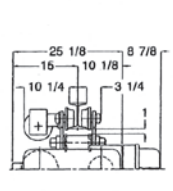
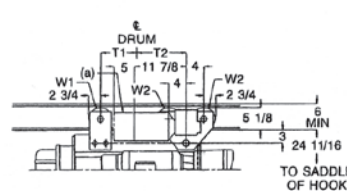
Wheel Dia. 4



Wheel Dia. 4



Wheel Dia. 4



Acco Material Handling Solutions

800-967-7333

www.accomhs.com



Equipment described herein is not designed for, and should not be used for, lifting, supporting, or transporting humans. Modifications to upgrade, rerate, or otherwise alter the hoist or crane equipment shall be authorized only by the original manufacturer or qualified professional engineer. Failure to comply with any one of the limitations noted herein may result in serious bodily injury.

© 2012 ACCO Material Handling Solutions

WRIGHT®
SPEEDWAY®
THE NEW CENTURY SERIES®
Electric Wire Rope Hoists

Issued 06-01-12

Monorail Hoist
Series 31

 4 Part Single Reeved
 5/16 Diameter Rope

3 TON

For Pricing See Page 3mS

MODEL NUMBER	Lift (Ft)	Lift Speed (FPM)	HP	B	C	Hook Travel		T1	T2	Drum
						L	U			
C1W03S020-15*4S0	20	15	3	23-3/8	22-3/8	3/8	9-1/2	8-3/16	9-1/2	2
C1W03S040-15*4S0	40	15	3	33-3/8	32-3/8	1/4	19-1/2	16-3/16	19-1/2	3
C1W03S020-20*4S0	20	20	4	23-3/8	22-3/8	3/8	9-1/2	8-3/16	9-1/2	2
C1W03S040-20*4S0	40	20	4	33-3/8	32-3/8	1/4	19-1/2	16-3/16	19-1/2	3

*To complete Model Number insert L, P, G, or M in place of asterisk.

All dimensions shown in inches unless otherwise specified. Dimensions which change with beam size are for minimum beam shown.

 Speedway trolleys are adjustable for Standard I beam or WF beam, 4 inch to 11 inch flange width. Beam size must be specified. Trolleys are also available for 3.25 or 3.33" patented track beams. See **Accessories Section** for applications with flange width exceeding 11 inches.

All reference to beam flange widths are for clearance purposes only and do not imply that lower flange of beam will support hoist with load.

 TROLLEY DATA: SPEED 50 FPM 100 FPM
 HP 1/2 1/2

All two speed trolley motors are 1800/600 RPM.

(a) Trolley Brake is available as optional equipment

(b) Dimension to the bottom of the control box changes from 15-7/8 to 21-7/8 with any of the following:

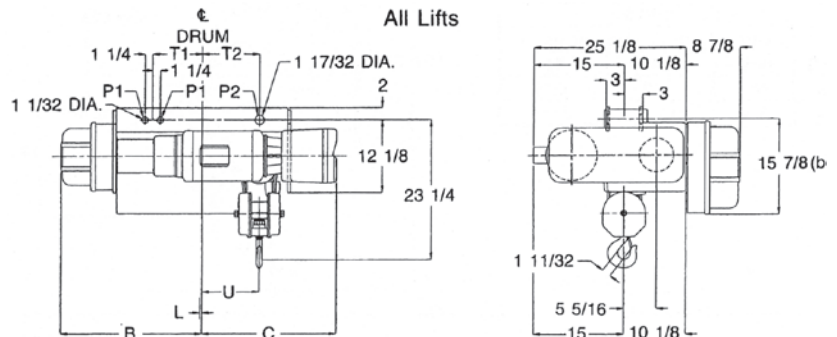
Single speed hoist and two speed trolley with ACM

Two speed hoist and single speed trolley with ACM

Two speed hoist and two speed trolley with ACM

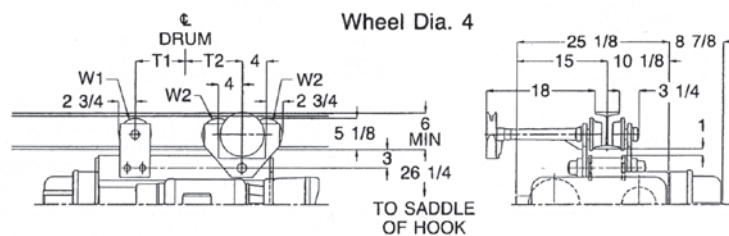
Two speed hoist greater than 2 horsepower and two speed trolley without ACM

LUG MOUNTED			
Lift (Ft)	Weight	Pin load in Lbs. (Max)	
		P1	P2
20	481	1776	6279
40	572	1783	6328

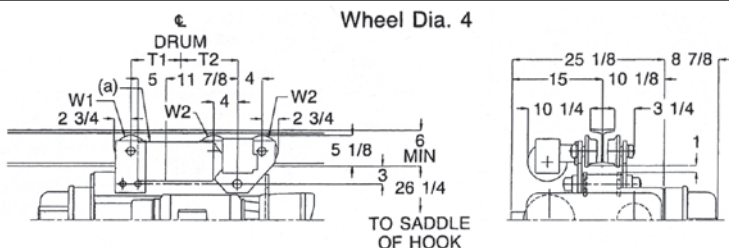


PLAIN OR GEARED TROLLEY			
Lift (Ft)	Weight*	Wheel Load in Lbs. (Max)	
		PR.W1	PR.W2
20	634	3614	3185
40	725	3628	3209

* Add 40 Lbs. for Geared Trolley.



MOTORIZED TROLLEY			
Lift (Ft)	Weight	Wheel Load in Lbs. (Max)	
		PR.W1	PR.W2
20	699	3614	3217
40	790	3628	3241


ACCO Acco Material
 Handling Solutions

800-967-7333 www.accomhs.com

WARNING

Equipment described herein is not designed for, and should not be used for, lifting, supporting, or transporting humans. Modifications to upgrade, rerate, or otherwise alter the hoist or crane equipment shall be authorized only by the original manufacturer or qualified professional engineer. Failure to comply with any one of the limitations noted herein may result in serious bodily injury.

© 2012 ACCO Material Handling Solutions

Sm3



Monorail Hoist Series 31

4 TON

4 Part Single Reeved
5/16 Diameter Rope

THE NEW CENTURY SERIES®

Electric Wire Rope Hoists

Issued 06-01-12

For Pricing See Page 4mS

MODEL NUMBER	Lift (Ft)	Lift Speed (FPM)	HP	B	C	Hook Travel		T1	T2	Drum
						L	U			
C1W04S020-15*4S0	20	15	4	23-3/8	22-3/8	3/8	9-1/2	8-3/16	9-1/2	2
C1W04S040-15*4S0	40	15	4	33-3/8	32-3/8	1/4	19-1/2	16-3/16	19-1/2	3

*To complete Model Number insert L, P, G, or M in place of asterick.

All dimensions shown in inches unless otherwise specified. Dimensions which change with beam size are for minimum beam shown.

Speedway trolleys are adjustable for Standard I beam or WF beam, 4 inch to 11 inch flange width. Beam size must be specified. Trolleys are also available for 3.25 or 3.33" patented track beams. See **Accessories Section** for applications with flange width exceeding 11 inches.

All reference to beam flange widths are for clearance purposes only and do not imply that lower flange of beam will support hoist with load.

TROLLEY DATA:

SPEED	50 FPM	100 FPM
HP	1/2	1/2

All two speed trolley motors are 1800/600 RPM.

(a) Trolley Brake is available as optional equipment

(b) Dimension to the bottom of the control box changes from 15-7/8 to 21-7/8 with any of the following:

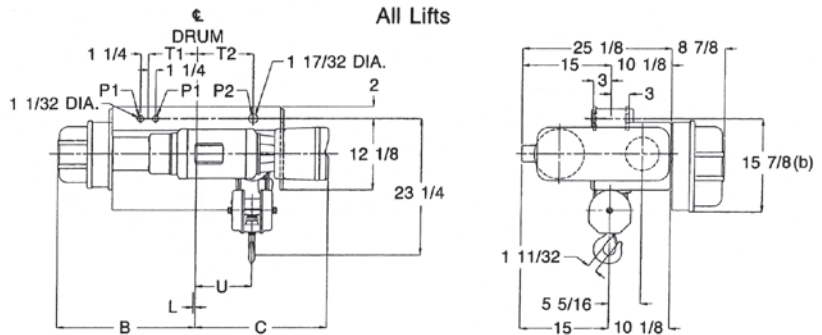
Single speed hoist and two speed trolley with ACM

Two speed hoist and single speed trolley with ACM

Two speed hoist and two speed trolley with ACM

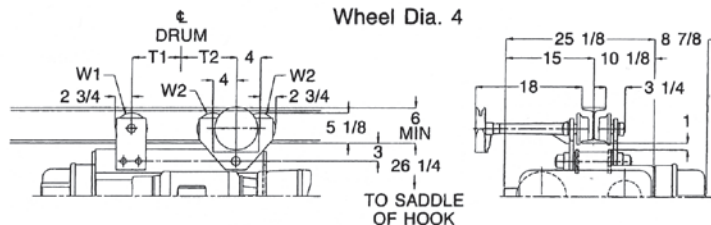
Two speed hoist greater than 2 horsepower and two speed trolley without ACM

LUG MOUNTED			
Lift (Ft)	Weight	Pin Load in Lbs. (Max)	
		P1	P2
20	481	2335	8279
40	572	2336	8328

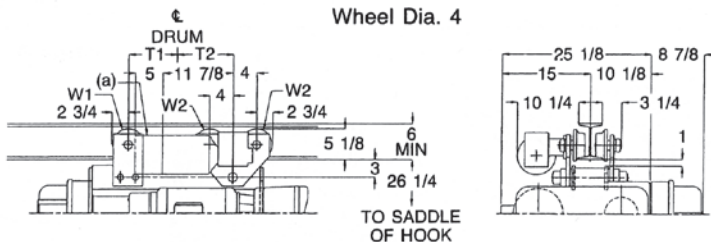


PLAIN OR GEARED TROLLEY			
Lift (Ft)	Weight*	Wheel Load in Lbs. (Max)	
		PR.W1	PR.W2
20	634	4732	4184
40	725	4734	4209

* Add 40 Lbs. for Geared Trolley.



MOTORIZED TROLLEY			
Lift (Ft)	Weight	Wheel Load in Lbs. (Max)	
		PR.W1	PR.W2
20	699	4732	4217
40	790	4734	4242



Equipment described herein is not designed for, and should not be used for, lifting, supporting, or transporting humans. Modifications to upgrade, rerate, or otherwise alter the hoist or crane equipment shall be authorized only by the original manufacturer or qualified professional engineer. Failure to comply with any one of the limitations noted herein may result in serious bodily injury.

© 2012 ACCO Material Handling Solutions

WRIGHT® SPEEDWAY® THE NEW CENTURY SERIES®

Monorail Hoist Series 31

2 Part Double Reeved
3/16 Diameter Rope

1 TON

Electric Wire Rope Hoists

Issued 06-01-12

For Pricing See Page 5mS

MODEL NUMBER	Lift (Ft)	Lift Speed (FPM)	HP	B	C	T1	T2	Drum
C1W01D032-15*2D0	32	15	1	23-3/8	22-3/8	8-3/16	9-1/2	2
C1W01D061-15*2D0	61	15	1	33-3/8	32-3/8	16-3/16	19-1/2	3
C1W01D032-20*2D0	32	20	2	23-3/8	22-3/8	8-3/16	9-1/2	2
C1W01D061-20*2D0	61	20	2	33-3/8	32-3/8	16-3/16	19-1/2	3
C1W01D032-30*2D0	32	30	2	23-3/8	22-3/8	8-3/16	9-1/2	2
C1W01D061-30*2D0	61	30	2	33-3/8	32-3/8	16-3/16	19-1/2	3
C1W01D032-40*2D0	32	40	3	23-3/8	22-3/8	8-3/16	9-1/2	2
C1W01D061-40*2D0	61	40	3	33-3/8	32-3/8	16-3/16	19-1/2	3

*To complete Model Number insert L, P, G, or M in place of asterisk.

All dimensions shown in inches unless otherwise specified. Dimensions which change with beam size are for minimum beam shown.

Speedway trolleys are adjustable for Standard I beam or WF beam, 4 inch to 11 inch flange width. Beam size must be specified. Trolleys are also available for 3.25 or 3.33" patented track beams. See **Accessories Section** for applications with flange width exceeding 11 inches.

All reference to beam flange widths are for clearance purposes only and do not imply that lower flange of beam will support hoist with load.

TROLLEY DATA:	SPEED	50 FPM	100 FPM
	HP	1/2	1/2

All two speed trolley motors are 1800/600 RPM.

(a) Trolley Brake is available as optional equipment

(b) Dimension to the bottom of the control box changes from 15-7/8 to 21-7/8 with any of the following:

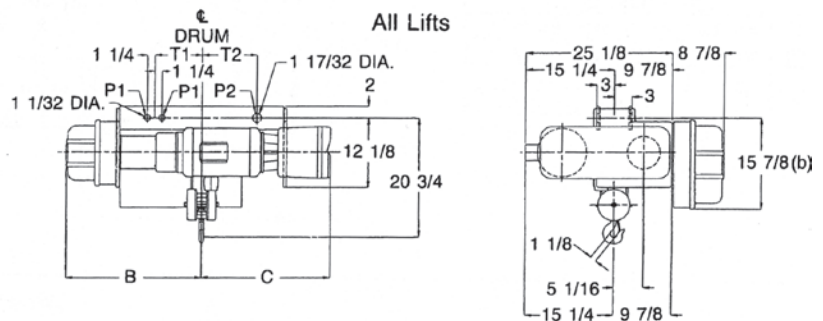
Single speed hoist and two speed trolley with ACM

Two speed hoist and single speed trolley with ACM

Two speed hoist and two speed trolley with ACM

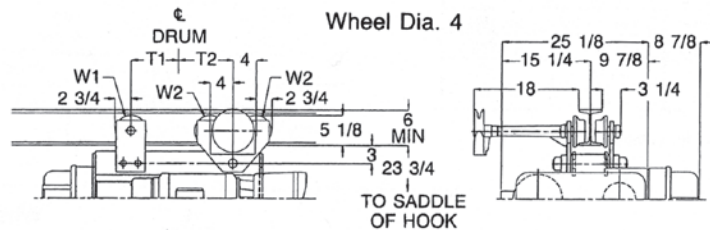
Two speed hoist greater than 2 horsepower and two speed trolley without ACM

LUG MOUNTED			
Lift (Ft)	Weight	Pin Load in Lbs. (Max)	
		P1	P2
32	466	603	1260
61	552	648	1256

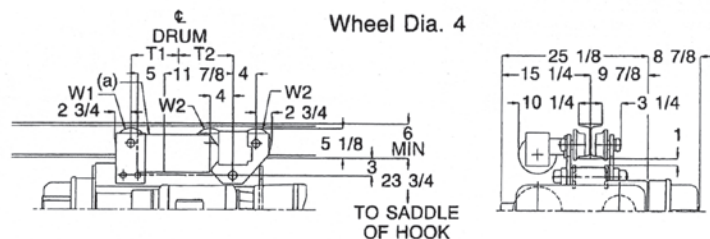


PLAIN OR GEARED TROLLEY			
Lift (Ft)	Weight*	Wheel Load in Lbs. (Max)	
		PR.W1	PR.W2
32	619	1269	675
61	705	1359	673

* Add 40 Lbs. for Geared Trolley.



MOTORIZED TROLLEY			
Lift (Ft)	Weight	Wheel Load in Lbs. (Max)	
		PR.W1	PR.W2
32	684	1269	707
61	770	1359	706



ACCO Acco Material Handling Solutions 800-967-7333 www.accomhs.com

WARNING

Equipment described herein is not designed for, and should not be used for, lifting, supporting, or transporting humans. Modifications to upgrade, rerate, or otherwise alter the hoist or crane equipment shall be authorized only by the original manufacturer or qualified professional engineer. Failure to comply with any one of the limitations noted herein may result in serious bodily injury.

© 2012 ACCO Material Handling Solutions

Sm5

WRIGHT®
SPEEDWAY®

THE NEW CENTURY SERIES®

Electric Wire Rope Hoists

Issued 06-01-12

Monorail Hoist Series 31

2 Part Double Reeved
1/4 Diameter Rope

2 TON

For Pricing See Page 6mS

MODEL NUMBER	Lift (Ft)	Lift Speed (FPM)	HP	B	C	T1	T2	Drum
C1W02D025-15*2D0	25	15	2	23-3/8	22-3/8	8-3/16	9-1/2	2
C1W02D049-15*2D0	49	15	2	33-3/8	32-3/8	16-3/16	19-11/2	3
C1W02D025-20*2D0	25	20	3	23-3/8	22-3/8	8-3/16	9-1/2	2
C1W02D049-20*2D0	49	20	3	33-3/8	32-3/8	16-3/16	19-1/2	3
C1W02D025-30*2D0	25	30	4	23-3/8	22-3/8	8-3/16	9-1/2	2
C1W02D049-30*2D0	49	30	4	33-3/8	32-3/8	16-3/16	19-1/2	3

*To complete Model Number insert L, P, G, or M in place of asterisk.

All dimensions shown in inches unless otherwise specified. Dimensions which change with beam size are for minimum beam shown.

Speedway trolleys are adjustable for Standard I beam or WF beam, 4 inch to 11 inch flange width. Beam size must be specified. Trolleys are also available for 3.25 or 3.33" patented track beams. See **Accessories Section** for applications with flange width exceeding 11 inches.

All reference to beam flange widths are for clearance purposes only and do not imply that lower flange of beam will support hoist with load.

TROLLEY DATA:	SPEED	50 FPM	100 FPM
	HP	1/2	1/2

All two speed trolley motors are 1800/600 RPM.

(a) Trolley Brake is available as optional equipment

(b) Dimension to the bottom of the control box changes from 15-7/8 to 21-7/8 with any of the following:

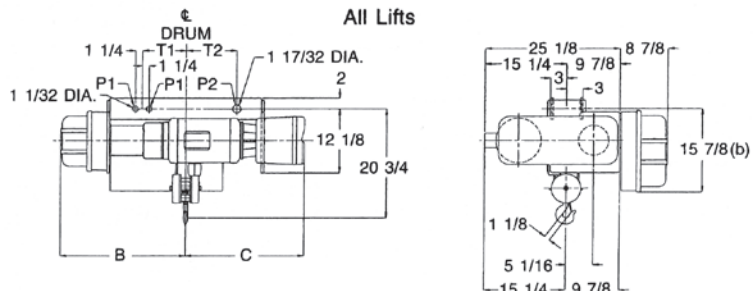
Single speed hoist and two speed trolley with ACM

Two speed hoist and single speed trolley with ACM

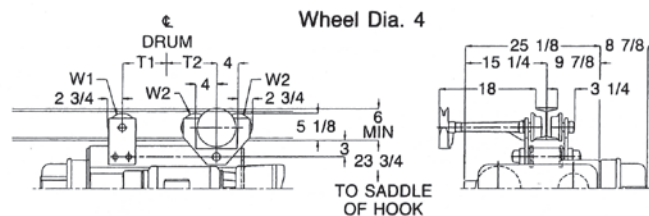
Two speed hoist and two speed trolley with ACM

Two speed hoist greater than 2 horsepower and two speed trolley without ACM

LUG MOUNTED			
Lift (Ft)	Weight	Pin Load in Lbs. (Max)	
		P1	P2
25	485	1143	2199
49	573	1199	2175

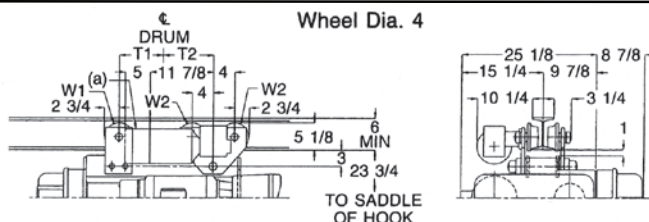


PLAIN OR GEARED TROLLEY			
Lift (Ft)	Weight*	Wheel Load in Lbs. (Max)	
		PR.W1	PR.W2
25	638	2348	1145
49	726	2460	1133



* Add 40 Lbs. for Geared Trolley.

MOTORIZED TROLLEY			
Lift (Ft)	Weight	Wheel Load in Lbs. (Max)	
		PR.W1	PR.W2
25	703	2348	1177
49	791	2460	1166



ACCO Acco Material Handling Solutions 800-967-7333 www.accomhs.com

WARNING

Equipment described herein is not designed for, and should not be used for, lifting, supporting, or transporting humans. Modifications to upgrade, rerate, or otherwise alter the hoist or crane equipment shall be authorized only by the original manufacturer or qualified professional engineer. Failure to comply with any one of the limitations noted herein may result in serious bodily injury.

© 2012 ACCO Material Handling Solutions

Sm6

WRIGHT®
SPEEDWAY®
THE NEW CENTURY SERIES®

Monorail Hoist
Series 31
 2 Part Double Reeved
 5/16 Diameter Rope

3 TON

Electric Wire Rope Hoists
 Issued 06-01-12

For Pricing See Page 7mS

MODEL NUMBER	Lift (Ft)	Lift Speed (FPM)	HP	B	C	T1	T2	Drum
C1W03D021-15*2DO	21	15	3	23-3/8	22-3/8	8-3/16	9-1/2	2
C1W03D041-15*2DO	41	15	3	33-3/8	32-3/8	16-3/16	19-1/2	3
C1W03D021-20*2DO	21	20	4	23-3/8	22-3/8	8-3/16	9-1/2	2
C1W03D041-20*2DO	41	20	4	33-3/8	32-3/8	16-3/16	19-1/2	3

*To complete Model Number insert L, P, G, or M in place of asterisk.

All dimensions shown in inches unless otherwise specified. Dimensions which change with beam size are for minimum beam shown.

Speedway trolleys are adjustable for Standard I beam or WF beam, 4 inch to 11 inch flange width. Beam size must be specified. Trolleys are also available for 3.25 or 3.33" patented track beams. See **Accessories Section** for applications with flange width exceeding 11 inches.

All reference to beam flange widths are for clearance purposes only and do not imply that lower flange of beam will support hoist with load.

TROLLEY DATA:

SPEED	50 FPM	100 FPM
HP	1/2	1/2

All two speed trolley motors are 1800/600 RPM.

(a) Trolley Brake is available as optional equipment

(b) Dimension to the bottom of the control box changes from 15-7/8 to 21-7/8 with any of the following:

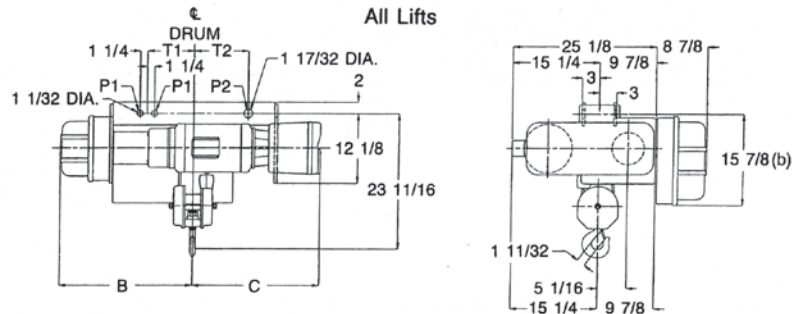
Single speed hoist and two speed trolley with ACM

Two speed hoist and single speed trolley with ACM

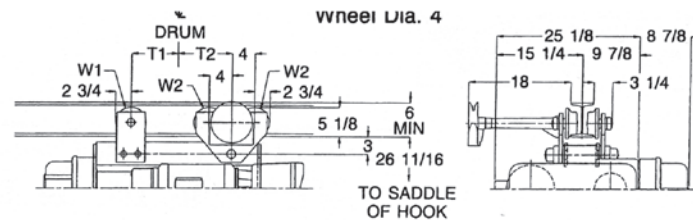
Two speed hoist and two speed trolley with ACM

Two speed hoist greater than 2 horsepower and two speed trolley without ACM

LUG MOUNTED			
Lift (Ft)	Weight	Pin Load in Lbs. (Max)	
		P1	P2
21	490	1681	3128
41	581	1747	3087

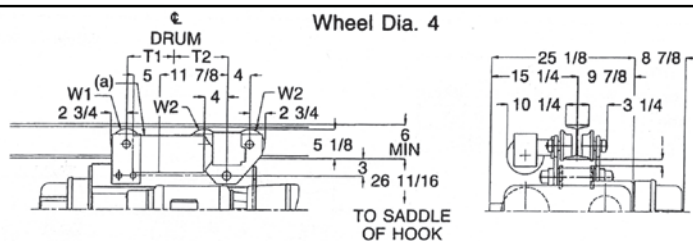


PLAIN OR GEARED TROLLEY			
Lift (Ft)	Weight*	Wheel Load in Lbs. (Max)	
		PR.W1	PR.W2
21	643	3425	1609
41	734	3556	1589



* Add 40 Lbs. for Geared Trolley.

MOTORIZED TROLLEY			
Lift (Ft)	Weight	Wheel Load in Lbs. (Max)	
		PR.W1	PR.W2
21	708	3425	1642
41	799	3556	1622



800-967-7333 www.accomhs.com



Equipment described herein is not designed for, and should not be used for, lifting, supporting, or transporting humans. Modifications to upgrade, rerate, or otherwise alter the hoist or crane equipment shall be authorized only by the original manufacturer or qualified professional engineer. Failure to comply with any one of the limitations noted herein may result in serious bodily injury.

© 2012 ACCO Material Handling Solutions

WRIGHT® SPEEDWAY®

THE NEW CENTURY SERIES®

Monorail Hoist Series 31

4 Part Double Reeved
5/16 Diameter Rope

5 TON

Electric Wire Rope Hoists

Issued 06-01-12

For Pricing See Page 8mS

MODEL NUMBER	Lift (Ft)	Lift Speed (FPM)	HP	B	C	T1	T2	Drum
C1W05D019-12*4D0	19' - 6"	12	4	33-3/8	32-3/8	13-3/16	20-1/2	3

*To complete Model Number insert L, P, G, or M in place of asterick.

All dimensions shown in inches unless otherwise specified. Dimensions which change with beam size are for minimum beam shown.

Speedway trolleys are adjustable for Standard I beam or WF beam, 4 inch to 11 inch flange width. Beam size must be specified. Trolleys are also available for 3.25 or 3.33" patented track beams. See **Accessories Section** for applications with flange width exceeding 11 inches.

All reference to beam flange widths are for clearance purposes only and do not imply that lower flange of beam will support hoist with load.

TROLLEY DATA:

SPEED	50 FPM	100 FPM
HP	1/2	1/2

All two speed trolley motors are 1800/600 RPM.

(a) Trolley Brake is available as optional equipment

(b) Dimension to the bottom of the control box increases from 16" to 22" with any of the following:

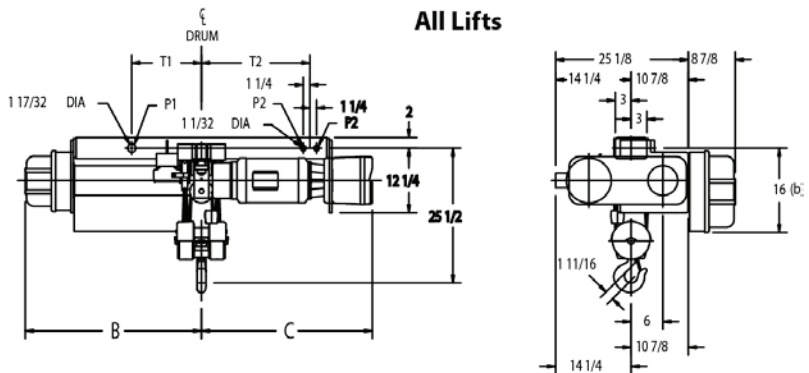
Single speed hoist and two speed trolley with ACM

Two speed hoist and single speed trolley with ACM

Two speed hoist and two speed trolley with ACM

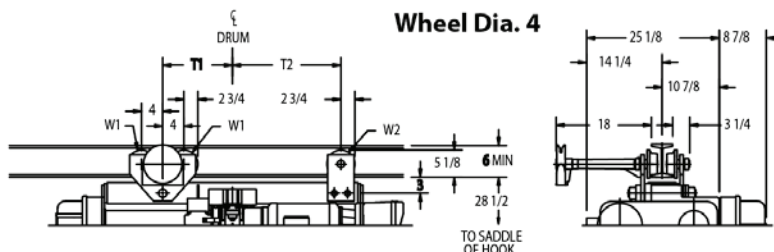
Two speed hoist greater than 2 horsepower and two speed trolley without ACM

LUG MOUNTED			
Lift (Ft)	Weight	Pin Load in Lbs. (Max)	
		P1	P2
19' - 6"	630	6458	2086

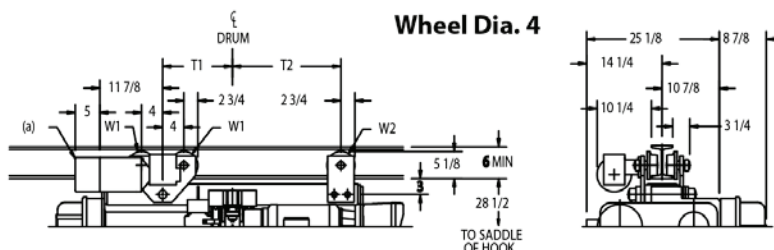


PLAIN OR GEARED TROLLEY			
Lift (Ft)	Weight*	Wheel Load in Lbs. (Max)	
		PR.W1	PR.W2
19' - 6"	783	3275	4233

* Add 40 Lbs. for Geared Trolley.



MOTORIZED TROLLEY			
Lift (Ft)	Weight	Wheel Load in Lbs. (Max)	
		PR.W1	PR.W2
19' - 6"	849	3308	4233



Equipment described herein is not designed for, and should not be used for, lifting, supporting, or transporting humans. Modifications to upgrade, rerate, or otherwise alter the hoist or crane equipment shall be authorized only by the original manufacturer or qualified professional engineer. Failure to comply with any one of the limitations noted herein may result in serious bodily injury.

© 2012 ACCO Material Handling Solutions



THE NEW CENTURY SERIES®

Electric Wire Rope Hoists

Issued 06-01-12

Monorail Hoist
CLOSE HEADROOM CROSS MOUNTED

1 TO 5 TON

Features & Benefits

Wright family of *SPEEDWAY* hoists is a complete line of electric wire rope hoists. It is an advanced design incorporating the most recent materials and concept. The most current duty cycle and safety requirements of users are built into this line, not added on.

CONSTRUCTION FEATURES:

CONTROLS: Choose from single, 2-speed, or inverter. Controls are magnetic reversing type, mechanically and electrically interlocked with 115 volt control circuit. All wiring conforms to applicable NEC requirements. Motor thermostats are standard providing motor running overcurrent protection. NEMA Type 3R enclosures are standard. Cover is lightweight, tough ABS material, deep-drawn for maximum control accessibility.

PUSH BUTTON STATION: Push button stations are not furnished as standard equipment with these hoists. Push button station drop of cord & strain chain are available as optional equipment. See Accessories Section. Specify required drop.

MOTOR: Standard NEMA C face mounting, TENV, Class F insulation, 30-minute duty motor is provided for standard commercial power supplies. The motor has a standard NEMA shaft extension.

GEAR TRAIN: Quiet, helical and spur gearing. All gears are machine cut, case-hardened alloy steel with shock-resistant ductile cores. Gearing is designed to AGMA standards for maximum life, and operates in an oil bath. Rugged aluminum alloy housing provides rapid heat dissipation.

BEARINGS - SPIDER RETAINER: Precision heavy-duty ball bearings support all shafts. Bearings at outboard end of shafts are held in place by a heavy-duty Spider Retainer. This allows removal of Gear Housing Cover for inspection (after draining oil). All internal parts remain in place and can be operated for inspection.

DRUM: The large diameter steel drum has machined grooves and large flanges. At least two full turns of rope remain on the drum at the lowest hook position of rated lift. .

LOAD BLOCK- HOOK: Drop forged heat-treated steel hook swivels 360° on a shielded roller thrust bearing and comes equipped with a spring latch. Work can be performed on the load block without removing wire rope from drum. Sheaves are machined steel.

WIRE ROPE: Pre-formed wire rope, of hoisting service construction, has swaged fittings on both ends for ease of replacement if necessary.

MECHANICAL LOAD BRAKE: Automatic Weston-type multiple disc brake. It can hold a full capacity load independent of motor brake and assures that the load does not accelerate while being lowered. Adjustment is not required.

MOTOR BRAKE: Proven in millions of hours of in-service operation, the original *Wright* A-C magnet-actuated disc brake delivers rapid stops with virtually no hook drift. Rated a minimum of 150% of full load motor torque.

LIMIT SWITCH: A gravity-type upper hook travel limit switch is provided. The unit is equipped with an automatic momentary lowering circuit. An optional geared limit switch is also available.

TROLLEY FRAME: The trolley frame shall be built of steel and precision machined to assure proper alignment of trolley wheels and drives.

TROLLEY WHEELS: 1 and 2 ton trolley wheels are heat treated gray iron. Each wheel supported on anti-friction bearings suitable to take radial and thrust loads. The trolley wheels have crowned treads for operation on tapered or flat flange beams. The wheels shall be lubricated at the factory with sodium base grease.

TROLLEY WHEELS: 3 to 5 ton trolley wheels shall have tread surfaces machined and hardened to 375-425 Brinell. Each wheel shall be supported on anti-friction bearings suitable to take radial and thrust loads. The wheels shall be lubricated at the factory with sodium base grease. The trolley wheels have dual tread for operation on tapered or flat flange beams. Wheel treads shall be smooth, true and uniform within .010 inch tread diameter on all wheels.

TROLLEY DRIVE: The trolley drive shall be a right angle worm gear reducer fully enclosed with a steel worm and bronze worm wheel designed to AGMA standards. The final gear reduction at trolley wheels will be spur gears and will be open. The trolley drive motor shall be TENV 30 minute duty with class F insulation and NEMA C face mounting. A spring set A.C. disc type brake is available as optional equipment.

TROLLEY CONTROLS: Choose from single, 2-speed, or inverter. Single and 2-speed controls are available with ACM solid state cushion start for smooth travel motion and excellent load control as optional equipment.

OPTIONAL OVERLOAD CUTOFF:

Protects load, hoist and operator by interrupting raising circuit when hoist senses a damaging overload. When lifting circuit is interrupted, the lowering circuit remains intact to allow the load to be lowered and removed. After the overload is removed the lifting circuit is automatically restored. Overload Cutoff is accessible for field adjustments.

WRIGHT®
SPEEDWAY®

THE NEW CENTURY SERIES®

Electric Wire Rope Hoists

Issued 06-01-12

Monorail Hoist
CLOSE HEADROOM CROSS MOUNTED

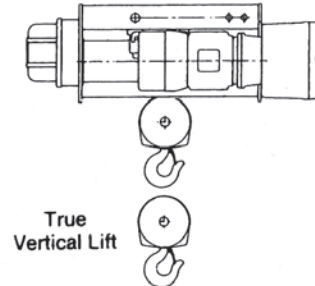
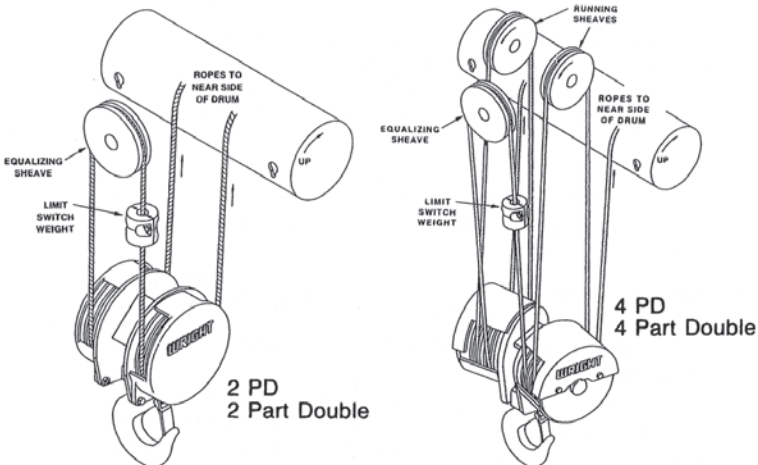
1 TO 5 TON

Features & Benefits

HOW TO SPECIFY A *SPEEDWAY* HOIST

1. DETERMINE THE CAPACITY, LIFTING SPEED AND LIFTING DISTANCE.

2. DETERMINE THE REEVING REQUIRED FOR YOUR APPLICATION. *SPEEDWAY* hoists may be reeved in various ways to gain desired mechanical advantages ... capacity, lifting distance, and lifting speeds.



3. SPECIFY PROPER MODEL NUMBER in regard to hoist. Capacity, lifting speed, mounting and hoist control found in the following pages.

4. SPECIFY MOTOR VOLTAGE: *Wright* standard motors are available in 200/230/460/575-3-60 power with Class F insulation, and are totally enclosed non-ventilated. Control is furnished as standard equipment. Additional motor and control accessories are found in the Accessories Section.

5. SPECIFY BEAM FLANGE WIDTH: *SPEEDWAY* trolleys are adjustable for Standard I beam or WF beam, 4 inch to 11 inch flange width. *Beam size must be specified.* Trolleys are also available for 3.25 or 3.33" patented track beams. Trolleys for WF beams with flange widths greater than 11 inches available. See Accessories. All reference to beam flange widths are for clearance purposes only and do not imply that lower flange of beam will support hoist with load.

6. SPECIFY OTHER MODIFICATIONS AND ACCESSORIES.

7. SPECIAL APPLICATION HOISTS: Contact your nearest *Wright* representative.

8. FOR CURVED TRACK APPLICATION, CONTACT FACTORY.

9. ACCO RESERVES THE RIGHT TO MAKE CHANGES TO THIS CATALOG AS MAY BE DEEMED NECESSARY.

ACCO Acco Material Handling Solutions 800-967-7333 www.accomhs.com

WARNING

Equipment described herein is not designed for, and should not be used for, lifting, supporting, or transporting humans. Modifications to upgrade, rerate, or otherwise alter the hoist or crane equipment shall be authorized only by the original manufacturer or qualified professional engineer. Failure to comply with any one of the limitations noted herein may result in serious bodily injury.
© 2012 ACCO Material Handling Solutions



THE NEW CENTURY SERIES®

Monorail Hoist
CLOSE HEADROOM CROSS MOUNTED

Series 31

2 Part Double Reeved
3/16 Diameter Rope

1 TON

For Pricing See Page 1xS

Electric Wire Rope Hoists

Issued 06-01-12

MODEL NUMBER	Lift (Ft)	Single Speed			Two Speed			C	Drum
		FPM	B	HP	FPM	B	HP		
X1W01D032-15*2D0	32	15	27-13/16	1	15 / 5	31-31/32	1 / 0.33	22-5/16	2
X1W01D061-15*2D0	61	15	37-13/16	1	15 / 5	41-31/32	1 / 0.33	32-5/16	3
X1W01D032-20*2D0	32	20	29-5/16	2	20 / 7	31-31/32	2 / 0.67	22-5/16	2
X1W01D061-20*2D0	61	20	39-5/16	2	20 / 7	41-31/32	2 / 0.67	32-5/16	3
X1W01D032-30*2D0	32	30	29-5/16	2	30 / 10	31-31/32	2 / 0.67	22-5/16	2
X1W01D061-30*2D0	61	30	39-5/16	2	30 / 10	41-31/32	2 / 0.67	32-5/16	3
X1W010032-40*2D0	32	40	29-13/16	3	40 / 13	32-15/32	3 / 1	22-5/16	2
X1W01D061-40*2D0	61	40	39-13/16	3	40 / 13	42-15/32	3 / 1	32-5/16	3

*To complete Model Number insert L, P or M in place of asterisk.

All dimensions shown in inches unless otherwise specified. Dimensions which change with beam size are for minimum beam shown.

Speedway trolleys are adjustable for Standard I beam or WF beam, 4 inch to 11 inch flange width. Beam size must be specified. Trolleys are also available for 3.25 or 3.33" patented track beams. See **Accessories Section** for applications with flange width exceeding 11 inches.

All reference to beam flange widths are for clearance purposes only and do not imply that lower flange of beam will support hoist with load.

TROLLEY DATA:

Speed	50 FPM	100 FPM
HP	1/2	1/2

All two speed trolley motors are 1800/600 RPM

(a) Trolley Brake is available as optional equipment.

(b) Dimension to bottom of control box increases from 16-9/16" to 22-9/16" with any of the following:

Single speed hoist and two speed trolley with ACM

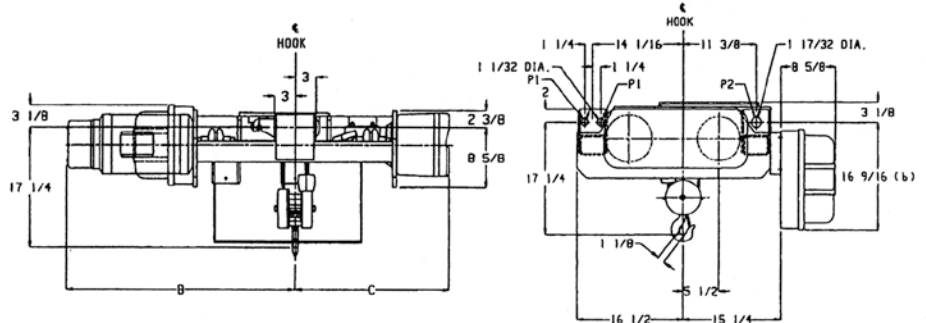
Two speed hoist and single speed trolley with ACM

Two speed hoist and two speed trolley with ACM

Two speed hoist greater than 2 horsepower and two speed trolley without ACM

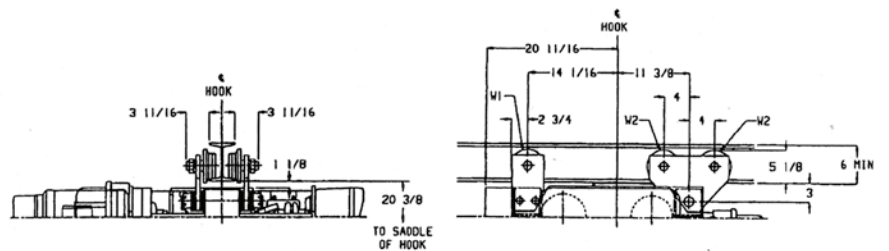
LUG MOUNTED

Lift (Ft)	Weight	Pin Load in Lbs. (Max)	
		P1	P2
32	570	574	1417
61	684	600	1484



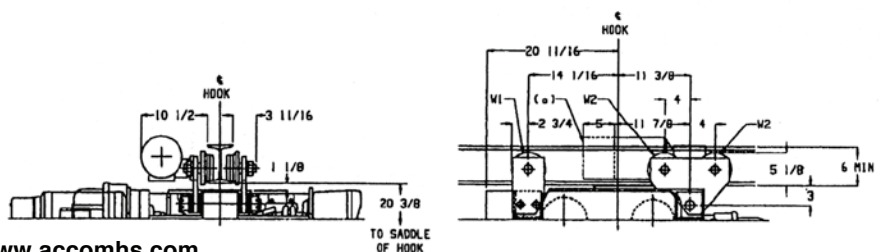
PLAIN TROLLEY

Lift (Ft)	Weight	Wheel Load in Lbs. (Max)	
		PR.W1	PR.W2
32	718	1210	754
61	836	1262	787



MOTORIZED TROLLEY

Lift (Ft)	Weight	Wheel Load in Lbs. (Max)	
		PR.W1	PR.W2
32	782	1210	786
61	900	1262	819



800-967-7333 www.accomhs.com



Equipment described herein is not designed for, and should not be used for, lifting, supporting, or transporting humans. Modifications to upgrade, rerate, or otherwise alter the hoist or crane equipment shall be authorized only by the original manufacturer or qualified professional engineer. Failure to comply with any one of the limitations noted herein may result in serious bodily injury.

© 2012 ACCO Material Handling Solutions

WRIGHT®
SPEEDWAY®

THE NEW CENTURY SERIES®

Electric Wire Rope Hoists

Issued 06-01-12

Monorail Hoist
CLOSE HEADROOM CROSS MOUNTED

Series 31

2 Part Double Reeved
1/4 Diameter Rope

2 TON

For Pricing See Page 2xS

MODEL NUMBER	Lift (Ft)	Single Speed			Two Speed			C	Drum
		FPM	B	HP	FPM	B	HP		
X1W02D025-15*2D0	25	15	29-5/16	2	15 / 5	31-31/32	2 / 0.67	22-5/16	2
X1W02D049-15*2D0	49	15	39-5/16	2	15 / 5	41-31/32	2 / 0.67	32-5/16	3
X1W02D025-20*2D0	25	20	29-13/16	3	20 / 7	32-15/32	3 / 1	22-5/16	2
X1W02D049-20*2D0	49	20	39-13/16	3	20 / 7	42-15/32	3 / 1	32-5/16	3
X1W02D025-30*2D0	25	30	29-13/16	4	30 / 10	33-1/16	4 / 1.33	22-5/16	2
X1W02D049-30*2D0	49	30	39-13/16	4	30 / 10	43-1/16	4 / 1.33	32-5/16	3

*To complete Model Number insert L, P or M in place of asterisk.

All dimensions shown in inches unless otherwise specified. Dimensions which change with beam size are for minimum beam shown.

Speedway trolleys are adjustable for Standard I beam or WF beam, 4 inch to 11 inch flange width. Beam size must be specified. Trolleys are also available for 3.25 or 3.33" patented track beams. See **Accessories Section** for applications with flange width exceeding 11 inches.

All reference to beam flange widths are for clearance purposes only and do not imply that lower flange of beam will support hoist with load.

TROLLEY DATA: Speed 50 FPM 100 FPM
 HP 1/2 1/2

All two speed trolley motors are 1800/600 RPM

(a) Trolley Brake is available as optional equipment.

(b) Dimension to bottom of control box increases from 16-9/16" to 22-9/16" with any of the following:

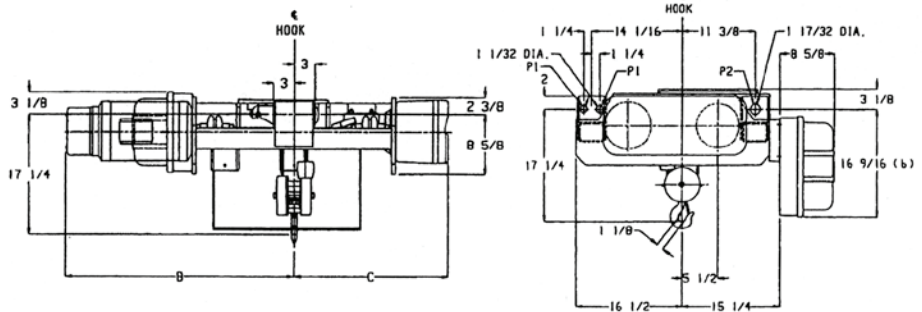
Single speed hoist and two speed trolley with ACM

Two speed hoist and single speed trolley with ACM

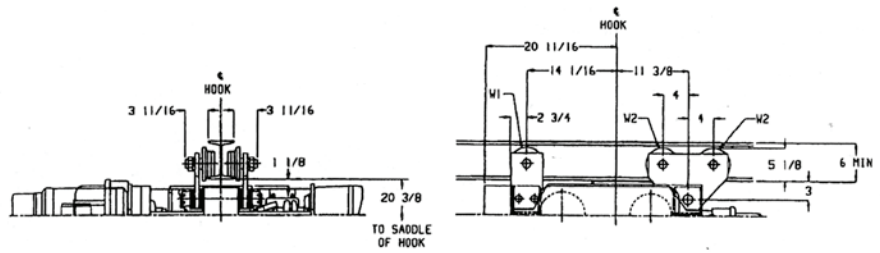
Two speed hoist and two speed trolley with ACM

Two speed hoist greater than 2 horsepower and two speed trolley without ACM

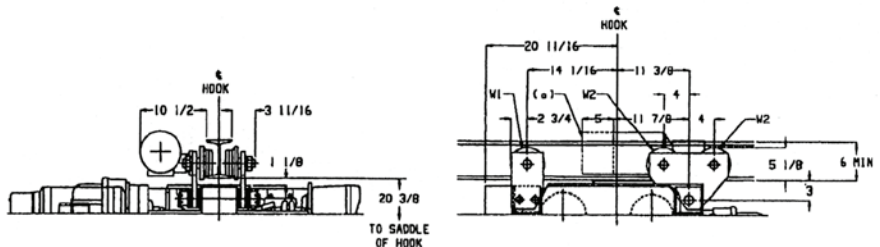
LUG MOUNTED			
Lift (Ft)	Weight	Pin Load in Lbs. (Max)	
		P1	P2
25	589	1026	2537
49	705	1052	2601



PLAIN TROLLEY			
Lift (Ft)	Weight	Wheel Load in Lbs. (Max)	
		PR.W1	PR.W2
25	742	2114	1314
49	858	2166	1346



MOTORIZED TROLLEY			
Lift (Ft)	Weight	Wheel Load in Lbs. (Max)	
		PR.P1	PR.P2
25	806	2114	1346
49	922	2166	1378



ACCO Acco Material
Handling Solutions

800-967-7333 www.accomhs.com

WARNING

Equipment described herein is not designed for, and should not be used for, lifting, supporting, or transporting humans. Modifications to upgrade, rerate, or otherwise alter the hoist or crane equipment shall be authorized only by the original manufacturer or qualified professional engineer. Failure to comply with any one of the limitations noted herein may result in serious bodily injury.

© 2012 ACCO Material Handling Solutions

Sx2



THE NEW CENTURY SERIES®

Electric Wire Rope Hoists

Issued 06-01-12

Monorail Hoist
CLOSE HEADROOM CROSS MOUNTED

Series 31

2 Part Double Reeved
5/16 Diameter Rope

3 TON

For Pricing See Page 3xS

MODEL NUMBER	Lift (Ft)	Single Speed			Two Speed			C	Drum
		FPM	B	HP	FPM	B	HP		
X1W03D021-15*2D0	21	15	29-13/16	3	15 / 5	32-15/32	3 / 1	22-5/16	2
X1W03D041-15*2D0	41	15	39-13/16	3	15 / 5	42-15/32	3 / 1	32-5/16	3
X1W03D021-20*2D0	21	20	29-13/16	4	20 / 7	33-1/16	4 / 1.33	22-5/16	2
X1W03D041-20*2D0	41	20	39-13/16	4	20 / 7	43-1/16	4 / 1.33	32-5/16	3

*To complete Model Number insert L, P or M in place of asterisk.

All dimensions shown in inches unless otherwise specified. Dimensions which change with beam size are for minimum beam shown.

Speedway trolleys are adjustable for Standard I beam or WF beam, 4 inch to 11 inch flange width. Beam size must be specified. Trolleys are also available for 3.25 or 3.33" patented track beams. See **Accessories Section** for applications with flange width exceeding 11 inches.

All reference to beam flange widths are for clearance purposes only and do not imply that lower flange of beam will support hoist with load.

TROLLEY DATA:

Speed	50 FPM	100 FPM
HP	1/2	1/2

All two speed trolley motors are 1800/600 RPM

(a) Trolley Brake is available as optional equipment.

(b) Dimension to bottom of control box increases from 16-9/16" to 22-9/16" with any of the following:

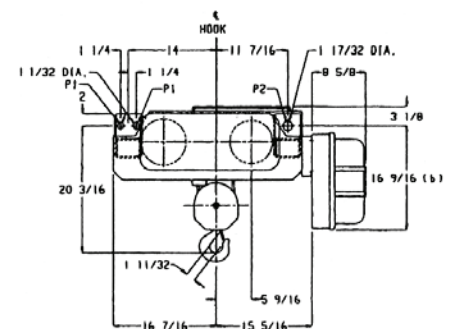
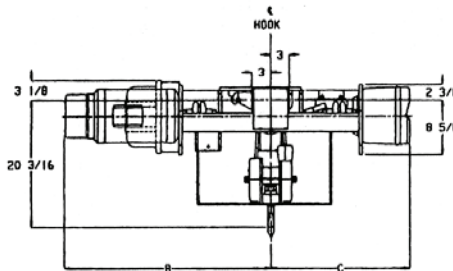
Single speed hoist and two speed trolley with ACM

Two speed hoist and single speed trolley with ACM

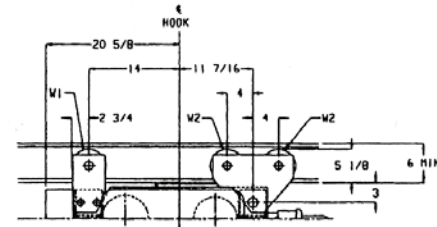
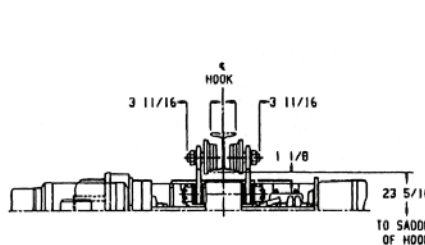
Two speed hoist and two speed trolley with ACM

Two speed hoist greater than 2 horsepower and two speed trolley without ACM

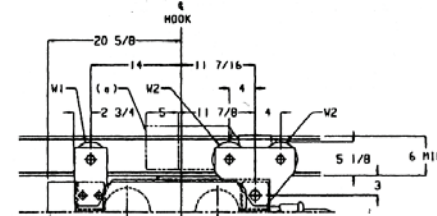
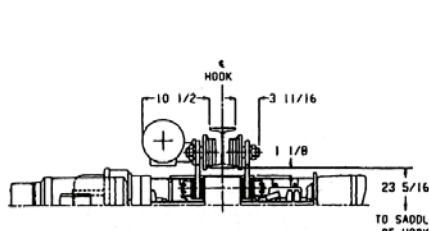
LUG MOUNTED			
Lift (Ft)	Weight	Pin Load in Lbs. (Max)	
		P1	P2
21	594	1482	3630
41	713	1509	3695



PLAIN TROLLEY			
Lift (Ft)	Weight	Wheel Load in Lbs. (Max)	
		PR.W1	PR.W2
21	746	3026	1860
41	866	3080	1893



MOTORIZED TROLLEY			
Lift (Ft)	Weight	Wheel Load in Lbs. (Max)	
		PR.W1	PR.W2
21	810	3026	1892
41	930	3080	1925



800-967-7333 www.accomhs.com



Equipment described herein is not designed for, and should not be used for, lifting, supporting, or transporting humans. Modifications to upgrade, rerate, or otherwise alter the hoist or crane equipment shall be authorized only by the original manufacturer or qualified professional engineer. Failure to comply with any one of the limitations noted herein may result in serious bodily injury.

© 2012 ACCO Material Handling Solutions



THE NEW CENTURY SERIES®

Electric Wire Rope Hoists

Issued 06-01-12

Monorail Hoist
CLOSE HEADROOM CROSS MOUNTED

Series 31

4 Part Double Reeved
5/16 Diameter Rope

5 TON

For Pricing See Page 4xS

MODEL NUMBER	Lift (Ft)	Single Speed			Two Speed			C	Drum
		FPM	B	HP	FPM	B	HP		
X1W05D019-12*4D0	19' - 6"	12	39-13/16	4	12 / 4	43-1/16	4 / 1.33	32-5/16	3

*To complete Model Number insert L, P or M in place of asterisk.

All dimensions shown in inches unless otherwise specified. Dimensions which change with beam size are for minimum beam shown.

Speedway trolleys are adjustable for Standard I beam or WF beam, 4 inch to 11 inch flange width. Beam size must be specified. Trolleys are also available for 3.25 or 3.33" patented track beams. See **Accessories Section** for applications with flange width exceeding 11 inches.

All reference to beam flange widths are for clearance purposes only and do not imply that lower flange of beam will support hoist with load.

TROLLEY DATA:

Speed	50 FPM	100 FPM
HP	1/2	1/2

All two speed trolley motors are 1800/600 RPM

(a) Trolley Brake is available as optional equipment.

(b) Dimension to bottom of control box increases from 16-9/16" to 22-9/16" with any of the following:

Single speed hoist and two speed trolley with ACM

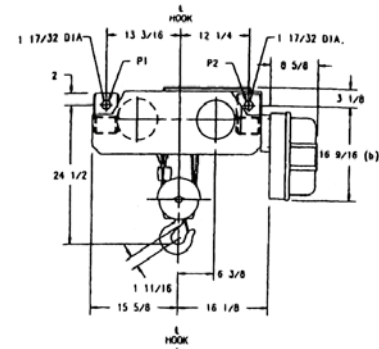
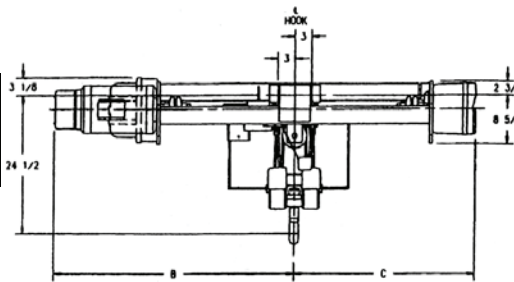
Two speed hoist and single speed trolley with ACM

Two speed hoist and two speed trolley with ACM

Two speed hoist greater than 2 horsepower and two speed trolley without ACM

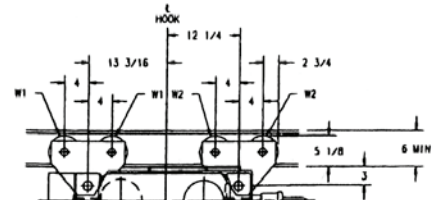
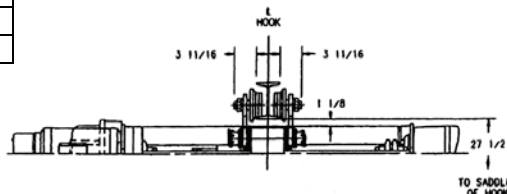
LUG MOUNTED

Lift (Ft)	Weight	Pin Load in Lbs. (Max)	
		P1	P2
19' - 6"	780	5192	5588



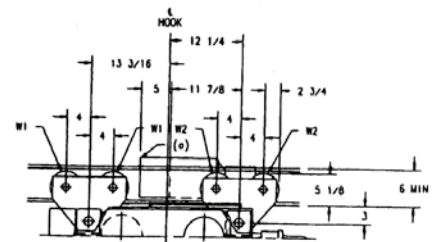
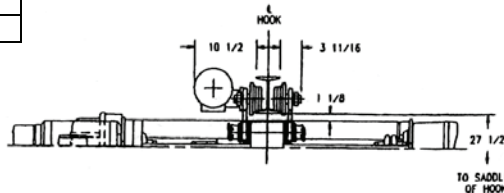
PLAIN TROLLEY

Lift (Ft)	Weight	Wheel Load in Lbs. (Max)	
		PR.W1	PR.W2
19' - 6"	972	2644	2842



MOTORIZED TROLLEY

Lift (Ft)	Weight	Wheel Load in Lbs. (Max)	
		PR.P1	PR.P2
19' - 6"	1036	2644	2874



ACCO Acco Material Handling Solutions 800-967-7333 www.accomhs.com



Equipment described herein is not designed for, and should not be used for, lifting, supporting, or transporting humans. Modifications to upgrade, rerate, or otherwise alter the hoist or crane equipment shall be authorized only by the original manufacturer or qualified professional engineer. Failure to comply with any one of the limitations noted herein may result in serious bodily injury.

© 2012 ACCO Material Handling Solutions

Sx4



THE NEW CENTURY SERIES®

Electric Wire Rope Hoists

Issued 06-01-12

Top Running Trolley Hoists Features & Benefits

1 TO 5 TON

Wright family of *SPEEDWAY* hoists is a complete line of electric wire rope hoists. It is an advanced design incorporating the most recent materials and concept. The most current duty cycle and safety requirements of users are built into this line, not added on.

CONSTRUCTION FEATURES:

CONTROLS: Choose from single, 2-speed, or inverter. Controls are magnetic reversing type, mechanically and electrically interlocked with 115 volt control circuit. All wiring conforms to applicable NEC requirements. Motor thermostats are standard providing motor running overcurrent protection. NEMA Type 3R enclosures are standard. Cover is lightweight, tough ABS material, deep-drawn for maximum control accessibility.

PUSH BUTTON STATION: Push button stations are not furnished as standard equipment with these hoists. Push button station drop of cord & strain chain are available as optional equipment. See Accessories Section. Specify required drop.

MOTOR: Standard NEMA C face mounting, TENV, Class F insulation, 30-minute duty motor is provided for standard commercial power supplies. The motor has a standard NEMA shaft extension.

GEAR TRAIN: Quiet, helical and spur gearing. All gears are machine cut, case-hardened alloy steel with shock-resistant ductile cores. Gearing is designed to AGMA standards for maximum life, and operates in an oil bath. Rugged aluminum alloy housing provides rapid heat dissipation.

BEARINGS - SPIDER RETAINER: Precision heavy-duty ball bearings support all shafts. Bearings at outboard end of shafts are held in place by a heavy-duty Spider Retainer. This allows removal of Gear Housing Cover for inspection (after draining oil). All internal parts remain in place and can be operated for inspection.

DRUM: The large diameter steel drum has machined grooves and large flanges. At least two full turns of rope remain on the drum at the lowest hook position of rated lift. .

LOAD BLOCK- HOOK: Drop forged heat-treated steel hook swivels 360° on a shielded roller thrust bearing and comes equipped with a spring latch. Work can be performed on the load block without removing wire rope from drum. Sheaves are machined steel.

WIRE ROPE: Pre-formed wire rope, of hoisting service construction, has swaged fittings on both ends for ease of replacement if necessary.

MECHANICAL LOAD BRAKE: Automatic Weston-type multiple disc brake. It can hold a full capacity load independent of motor brake and assures that the load does not accelerate while being lowered. Adjustment is not required.

MOTOR BRAKE: Proven in millions of hours of in-service operation, the original *Wright* A-C magnet-actuated disc brake delivers rapid stops with virtually no hook drift. Rated a minimum of 150% of full load motor torque.

LIMIT SWITCH: A gravity-type upper hook travel limit switch is provided. The unit is equipped with an automatic momentary lowering circuit. An optional geared limit switch is also available.

TROLLEY FRAME: The trolley frame shall be built of steel and precision machined to assure proper alignment of trolley wheels and drives.

TROLLEY WHEELS: Trolley wheels shall have tread surfaces machined and hardened to 375-425 Brinell. Each wheel shall be supported on ball bearings suitable to take radial and thrust loads. The wheels shall be lubricated at the factory with sodium base grease. Wheel treads shall be smooth, true and uniform within .010 inch tread diameter on all wheels.

TROLLEY DRIVE: The trolley drive shall be a right angle worm gear reducer fully enclosed with a steel worm and bronze worm wheel designed to AGMA standards. The final gear reduction at trolley wheels will be spur gears and will be open. The trolley drive motor shall be TENV 30 minute duty with class F insulation and NEMA C face mounting. A spring set A.C. disc type brake is available as optional equipment.

TROLLEY CONTROLS: Choose from single, 2-speed, or inverter. Single and 2-speed controls are available with ACM solid state cushion start for smooth travel motion and excellent load control as optional equipment.

OPTIONAL OVERLOAD CUTOFF:

Protects load, hoist and operator by interrupting raising circuit when hoist senses a damaging overload. When lifting circuit is interrupted, the lowering circuit remains intact to allow the load to be lowered and removed. After the overload is removed the lifting circuit is automatically restored. Overload Cutoff is accessible for field adjustments.



800-967-7333 www.accomhs.com



Equipment described herein is not designed for, and should not be used for, lifting, supporting, or transporting humans. Modifications to upgrade, rerate, or otherwise alter the hoist or crane equipment shall be authorized only by the original manufacturer or qualified professional engineer. Failure to comply with any one of the limitations noted herein may result in serious bodily injury.
© 2012 ACCO Material Handling Solutions

WRIGHT® SPEEDWAY®

THE NEW CENTURY SERIES®

Electric Wire Rope Hoists

Issued 06-01-12

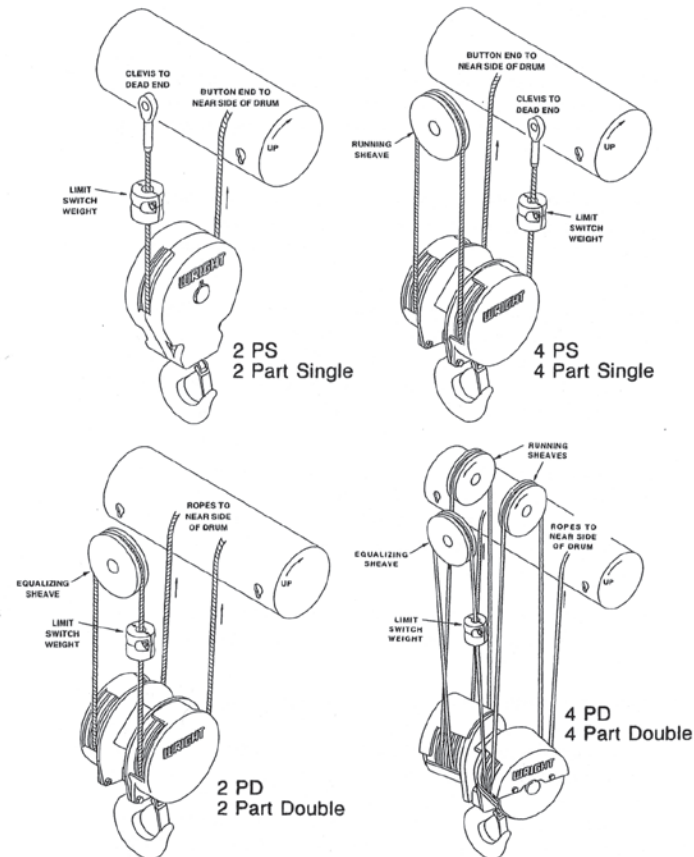
Top Running Trolley Hoists Features & Benefits

1 TO 5 TON

HOW TO SPECIFY A SPEEDWAY TROLLEY HOIST

1. DETERMINE THE CAPACITY, LIFTING SPEED, AND LIFTING DISTANCE.

2. DETERMINE THE REEVING REQUIRED FOR YOUR APPLICATION. *SPEEDWAY* hoists may be reeved in various ways to gain desired mechanical advantages ... capacity, lifting distance, and lifting speeds.

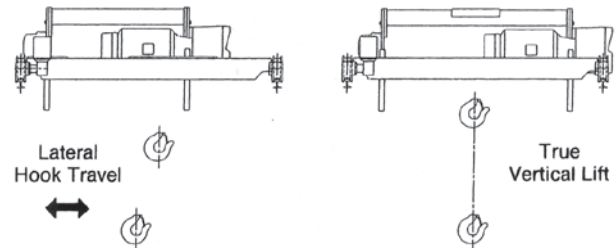


Hoist reeving may be either single or double reeving. The rated load of the hoist is determined in part by the number of parts (lines) of rope. The hoist speed is determined by the rotational speed of the drum and the reeving of the hoist.

	Single Reeved	Double Reeved
Reeving:	2 PS or 4 PS	2 PD or 4 PD
Minimum Headroom:	Fair	Good
Lateral Hook Travel:	Hook travels	None
Cost:	Lower	Higher

HEADROOM: Some applications require that the distance from the top of bridge rail to saddle of the hook be held to a minimum. This dimension will determine whether a single reeved or double reeved model is required.

HOOK TRAVEL:



Some applications require that the load, when being lifted, not move right or left from hoist centerline. If this requirement is known, a true vertical lift hoist must be used. These are described as two part double (2 PD) or four part double (4 PD).

3. **SPECIFY PROPER MODEL NUMBER** in regard to hoist. Capacity, lifting speed, mounting and hoist control found in the following pages.

4. **SPECIFY MOTOR VOLTAGE:** ACCO standard motors are available in 200/230/460/575-3-60 power with Class F insulation, and are totally enclosed non-ventilated. Control is furnished as standard equipment. Additional motor and control accessories are found in the Accessories Section.

5. **WHEEL GAGE:** Top running trolley hoists are available in various wheel gages depending on lift of the hoist. The wheel gage (WG) of top running hoist determines rail spacing. Special wheel gages for existing crane applications are available upon request.

6. **SPECIAL APPLICATION HOISTS:** Contact your nearest *Wright* representative.

7. **ACCO RESERVES THE RIGHT TO MAKE CHANGES TO THIS CATALOG AS MAY BE DEEMED NECESSARY.**

ACCO Acco Material Handling Solutions 800-967-7333 www.accomhs.com

WARNING

Equipment described herein is not designed for, and should not be used for, lifting, supporting, or transporting humans. Modifications to upgrade, rerate, or otherwise alter the hoist or crane equipment shall be authorized only by the original manufacturer or qualified professional engineer. Failure to comply with any one of the limitations noted herein may result in serious bodily injury.
© 2012 ACCO Material Handling Solutions

WRIGHT®
SPEEDWAY®

THE NEW CENTURY SERIES®

Electric Wire Rope Hoists

Issued 06-01-12

Top Running Trolley Hoist Series 31

2 Part Single Reeved
1/4 Diameter Rope

1 TON

For Pricing See Page 1tS

MODEL NUMBER	Lift (Ft)	Lift Speed (FPM)	HP	B	C	J	K	Trolley Drive		Hook Travel (HT)	Wheel Gage (WG)	Drum
								Single Speed	Two Speed			
								F (a)	F (a)			
C1W01S026-15T2S0	26	15	1	18-1/4	13-9/16	8-3/16	11-11/16	16-5/8	17-5/8	2-11/16	36	1
C1W01S059-15T2S0	59	15	1	28-13/16	17	9-5/8	20-1/4	16-5/8	17-5/8	5-3/16	60	2
C1W01S107-15T2S0	107	15	1	43-3/4	22-1/16	12-11/16	33-3/16	16-5/8	17-5/8	11-3/16	96	3
C1W01S026-20T2S0	26	20	2	18-1/4	13-9/16	8-3/16	11-11/16	16-5/8	17-5/8	2-11/16	36	1
C1W01S059-20T2S0	59	20	2	28-13/16	17	9-5/8	20-1/4	16-5/8	17-5/8	5-3/16	60	2
C1W01S107-20T2S0	107	20	2	43-3/4	22-1/16	12-11/16	33-3/16	16-5/8	17-5/8	11-3/16	96	3
C1W01S026-30T2S0	26	30	2	18-1/4	13-9/16	8-3/16	11-11/16	16-5/8	17-5/8	2-11/16	36	1
C1W01S059-30T2S0	59	30	2	28-13/16	17	9-5/8	20-1/4	16-5/8	17-5/8	5-3/16	60	2
C1W01S107-30T2S0	107	30	2	43-3/4	22-1/16	12-11/16	33-3/16	16-5/8	17-5/8	11-3/16	96	3
C1W01S026-40T2S0	26	40	3	18-1/4	13-9/16	8-3/16	11-11/16	16-5/8	17-5/8	2-11/16	36	1
C1W01S059-40T2S0	59	40	3	28-13/16	17	9-5/8	20-1/4	16-5/8	17-5/8	5-3/16	60	2
C1W01S107-40T2S0	107	40	3	43-3/4	22-1/16	12-11/16	33-3/16	16-5/8	17-5/8	11-3/16	96	3

All dimensions shown in inches unless otherwise specified.

(a) Trolley brake is available as optional equipment. Add 5-1/8" to dimension F.

(b) Four rubber bumpers are available as optional equipment.

Rail gage (beam spacing of the crane) must match wheel gage of the top running trolley hoist based on lift and drum length.

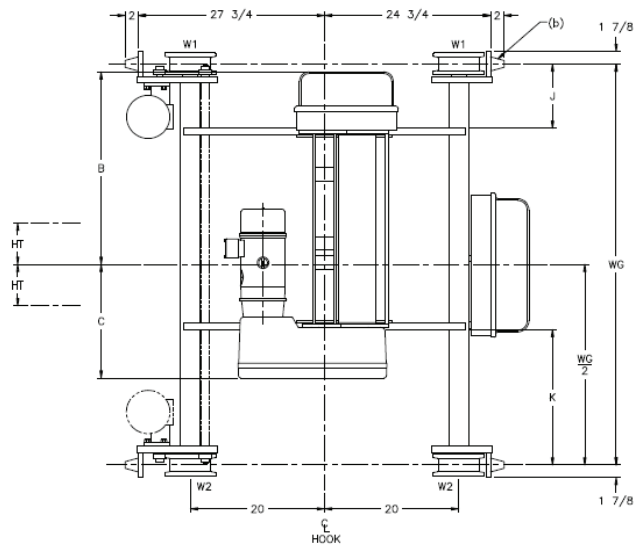
All two speed motors are 1800/600 RPM.

TROLLEY DATA:	Speed	32 FPM	65 FPM	125 FPM	
	HP	1/2	1/2	1/2	(2 OF EACH REQUIRED FOR 96 WHEEL GAGE)

WHEEL LOADING			
Lift (Ft)	Weight	Pounds Per Wheel (Max)	
		W1	W2
26	899	799	800
59	999	866	840
107	1146	904	903

Wheel Dia. 6

Max. Rail Size - 30 #/Yd.



ACCO Acco Material Handling Solutions 800-967-7333 www.accomhs.com

WARNING

Equipment described herein is not designed for, and should not be used for, lifting, supporting, or transporting humans. Modifications to upgrade, rerate, or otherwise alter the hoist or crane equipment shall be authorized only by the original manufacturer or qualified professional engineer. Failure to comply with any one of the limitations noted herein may result in serious bodily injury.

© 2012 ACCO Material Handling Solutions

St1

WRIGHT®
SPEEDWAY®

THE NEW CENTURY SERIES®

Electric Wire Rope Hoists

Issued 06-01-12

Top Running Trolley Hoist

Series 31

2 Part Single Reeved
5/16 Diameter Rope

2 TON

For Pricing See Page 2tS

MODEL NUMBER	Lift (Ft)	Lift Speed (FPM)	HP	B	C	J	K	Trolley Drive		Hook Travel (HT)	Wheel Gage (WG)	Drum
								Single Speed	Two Speed			
								F (a)	F (a)			
C1W02S020-15T2S0	20	15	2	18 1/16	13 3/4	8 3/8	11 1/2	16 5/8	17 5/8	2 9/16	36	1
C1W02S048-15T2S0	48	15	2	28 9/16	17 1/4	9 7/8	20	16 5/8	17 5/8	6 1/16	60	2
C1W02S089-15T2S0	89	15	2	43 9/16	22 1/4	12 7/8	33	16 5/8	17 5/8	11 1/16	96	3
C1W02S020-20T2S0	20	20	3	18 1/16	13 3/4	8 3/8	11 1/2	16 5/8	17 5/8	2 9/16	36	1
C1W02S048-20T2S0	48	20	3	28 9/16	17 1/4	9 7/8	20	16 5/8	17 5/8	6 1/16	60	2
C1W02S089-20T2S0	89	20	3	43 9/16	22 1/4	12 7/8	33	16 5/8	17 5/8	11 1/16	96	3
C1W02S020-30T2S0	20	30	4	18 1/16	13 3/4	8 3/8	11 1/2	16 5/8	17 5/8	2 9/16	36	1
C1W02S048-30T2S0	48	30	4	28 9/16	17 1/4	9 7/8	20	16 5/8	17 5/8	6 1/16	60	2
C1W02S089-30T2S0	89	30	4	43 9/16	22 1/4	12 7/8	33	16 5/8	17 5/8	11 1/16	96	3

All dimensions shown in inches unless otherwise specified.

(a) Trolley brake is available as optional equipment. Add 5-1/8" to dimension F.

(b) Four rubber bumpers are available as optional equipment.

Rail gage (beam spacing of the crane) must match wheel gage of the top running trolley hoist based on lift and drum length.

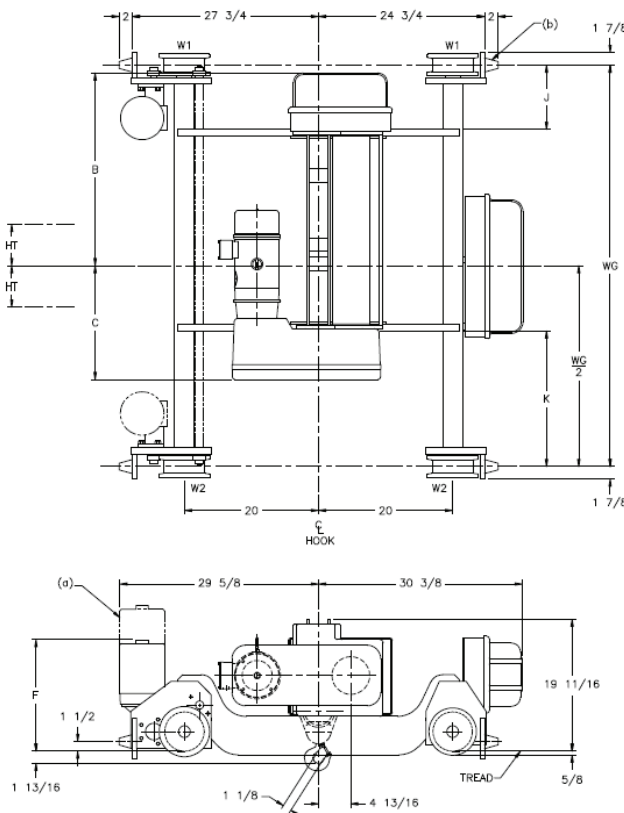
All two speed motors are 1800/600 RPM.

TROLLEY DATA: Speed 32 FPM 65 FPM 125 FPM
HP 1/2 1/2 1/2 (2 OF EACH REQUIRED FOR 96 WHEEL GAGE)

WHEEL LOADING			
Lift (Ft)	Weight	Pounds Per Wheel (Max)	
		W1	W2
20	917	1385	1359
48	1022	1466	1449
89	1171	1546	1501

Wheel Dia. 6

Max. Rail Size - 30 #/Yd.



Acco Material
Handling Solutions

800-967-7333 www.accomhs.com



Equipment described herein is not designed for, and should not be used for, lifting, supporting, or transporting humans. Modifications to upgrade, rerate, or otherwise alter the hoist or crane equipment shall be authorized only by the original manufacturer or qualified professional engineer. Failure to comply with any one of the limitations noted herein may result in serious bodily injury.

© 2012 ACCO Material Handling Solutions

St2



THE NEW CENTURY SERIES®

Electric Wire Rope Hoists

Issued 06-01-12

Top Running Trolley Hoist

Series 31

4 Part Single Reeved
5/16 Diameter Rope

3 TON

For Pricing See Page 3tS

MODEL NUMBER	Lift (Ft)	Lift Speed (FPM)	HP	B	C	J	K	Trolley Drive		Hook Travel (HT)	Wheel Gage (WG)	Drum
								Single Speed	Two Speed			
								F (a)	F (a)			
C1W03S018-15T4S0	18	15	3	27-13/16	18	10-5/8	19-1/4	16-5/8	17-5/8	4-11/16	60	2
C1W03S038-15T4S0	38	15	3	42-7/8	22-5/16	4-9/16	23-5/16	16-5/8	17-5/8	9-5/8	78	3
C1W03S018-20T4S0	18	20	4	27-13/16	18	10-5/8	19-1/4	16-5/8	17-5/8	4-11/16	60	2
C1W03S038-20T4S0	38	20	4	42-7/8	22-5/16	4-9/16	23-5/16	16-5/8	17-5/8	9-5/8	78	3

All dimensions shown in inches unless otherwise specified.

(a) Trolley brake is available as optional equipment. Add 5-1/8" to dimension F.

(b) Four rubber bumpers are available as optional equipment.

Rail gage (beam spacing of the crane) must match wheel gage of the top running trolley hoist based on lift and drum length.

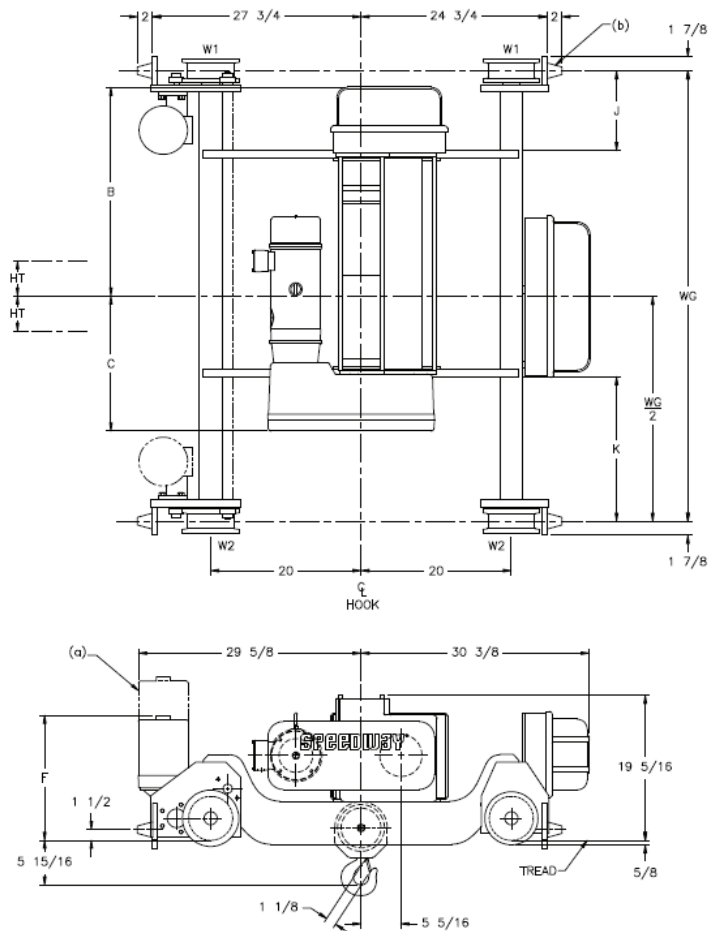
All two speed motors are 1800/600 RPM.

TROLLEY DATA:	Speed	32 FPM	65 FPM	125 FPM	
	HP	1/2	1/2	1/2	(2 OF EACH REQUIRED FOR 78 WHEEL GAGE)

WHEEL LOADING			
Lift (Ft)	Weight	Pounds Per Wheel (Max)	
		W1	W2
18	1040	2008	1981
38	1161	2187	2134

Wheel Dia. 6

Max. Rail Size - 30 #/Yd.



ACCO Acco Material Handling Solutions 800-967-7333 www.accomhs.com



Equipment described herein is not designed for, and should not be used for, lifting, supporting, or transporting humans. Modifications to upgrade, rerate, or otherwise alter the hoist or crane equipment shall be authorized only by the original manufacturer or qualified professional engineer. Failure to comply with any one of the limitations noted herein may result in serious bodily injury.

© 2012 ACCO Material Handling Solutions

St3



THE NEW CENTURY SERIES®

Electric Wire Rope Hoists

Issued 06-01-12

Top Running Trolley Hoist Series 31

4 Part Single Reeved
5/16 Diameter Rope

4 TON

For Pricing See Page 4TS

MODEL NUMBER	Lift (Ft)	Lift Speed (FPM)	HP	B	C	J	K	Trolley Drive		Hook Travel (HT)	Wheel Gage (WG)	Drum
								Single Speed	Two Speed			
								F (a)	F (a)			
C1W04S018-15T4S0	18	15	4	27-13/16	18	10-5/8	19-1/4	16-5/8	17-5/8	4-11/16	60	2
C1W04S038-15T4S0	38	15	4	42-7/8	22-5/16	4-9/16	23-5/16	16-5/8	17-5/8	9-5/8	78	3

All dimensions shown in inches unless otherwise specified.

(a) Trolley brake is available as optional equipment. Add 5-1/8" to dimension F.

(b) Four rubber bumpers are available as optional equipment.

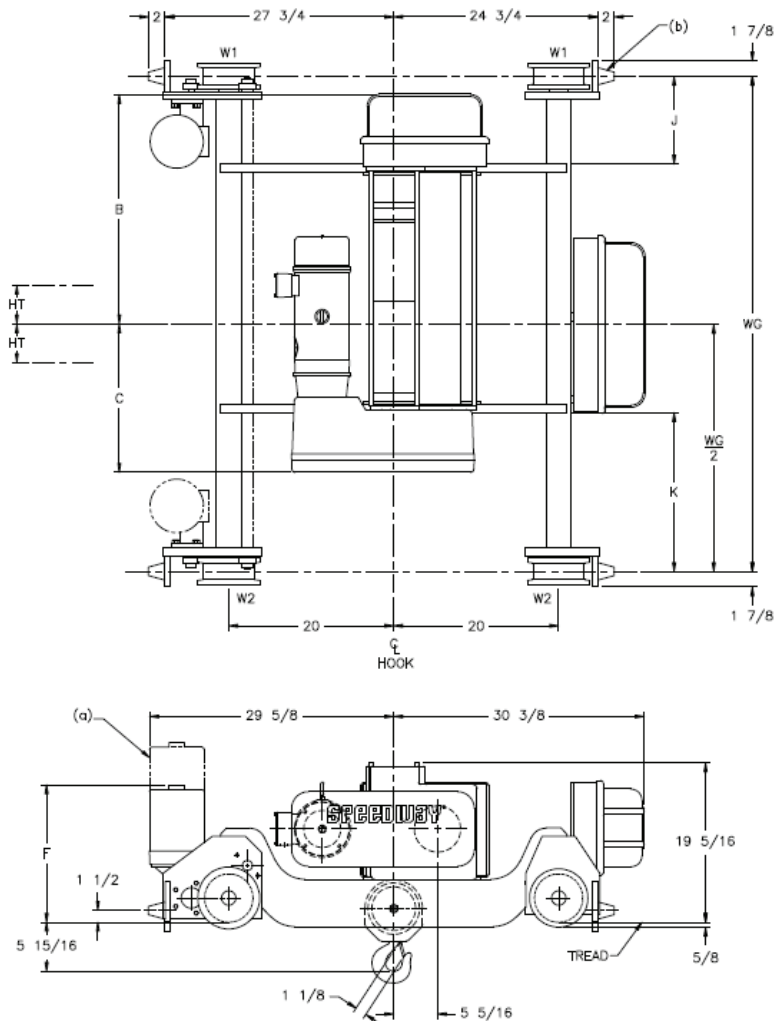
Rail gage (beam spacing of the crane) must match wheel gage of the top running trolley hoist based on lift and drum length.

All two speed motors are 1800/600 RPM.

TROLLEY DATA:	Speed	32 FPM	65 FPM	125 FPM	
	HP	1/2	1/2	1/2	(2 OF EACH REQUIRED FOR 78 WHEEL GAGE)

WHEEL LOADING			
Lift (Ft)	Weight	Pounds Per Wheel (Max)	
		W1	W2
18	1040	8975	8975
38	1161	9049	9159

Wheel Dia. 6
Max. Rail Size - 30 #/Yd.



AGCO Acco Material Handling Solutions 800-967-7333 www.accomhs.com



Equipment described herein is not designed for, and should not be used for, lifting, supporting, or transporting humans. Modifications to upgrade, rerate, or otherwise alter the hoist or crane equipment shall be authorized only by the original manufacturer or qualified professional engineer. Failure to comply with any one of the limitations noted herein may result in serious bodily injury.
© 2012 ACCO Material Handling Solutions

WRIGHT®
SPEEDWAY®
THE NEW CENTURY SERIES®

Electric Wire Rope Hoists

Issued 06-01-12

Top Running Trolley Hoist
Series 31

2 Part Double Reeved
 3/16 Diameter Rope

1 TON

For Pricing See Page 5tS

MODEL NUMBER	Lift (Ft)	Lift Speed (FPM)	HP	B	C	Trolley Drive		Wheel Gage (WG)	Weight	Drum
						Single Speed	Two Speed			
						F (a)	F (a)			
C1W01D032-15T2D0	32	15	1	23-1/2	22-3/8	16-5/8	17-5/8	48	1005	2
C1W01D061-15T2D0	61	15	1	33-1/2	32-3/8	16-5/8	17-5/8	60	1111	3
C1W01D032-20T2D0	32	20	2	23-1/2	22-3/8	16-5/8	17-5/8	48	1005	2
C1W01D061-20T2D0	61	20	2	33-1/2	32-3/8	16-5/8	17-5/8	60	1111	3
C1W01D032-30T2D0	32	30	2	23-1/2	22-3/8	16-5/8	17-5/8	48	1005	2
C1W01D061-30T2D0	61	30	2	33-1/2	32-3/8	16-5/8	17-5/8	60	1111	3
C1W01D032-40T2D0	32	40	3	23-1/2	22-3/8	16-5/8	17-5/8	48	1005	2
C1W01D061-40T2D0	61	40	3	33-1/2	32-3/8	16-5/8	17-5/8	60	1111	3

All dimensions shown in inches unless otherwise specified.

(a) Trolley brake is available as optional equipment. Add 5-1/8" to dimension F.

(b) Four rubber bumpers are available as optional equipment.

Rail gage (beam spacing of the crane) must match wheel gage of the top running trolley hoist based on lift and drum length.

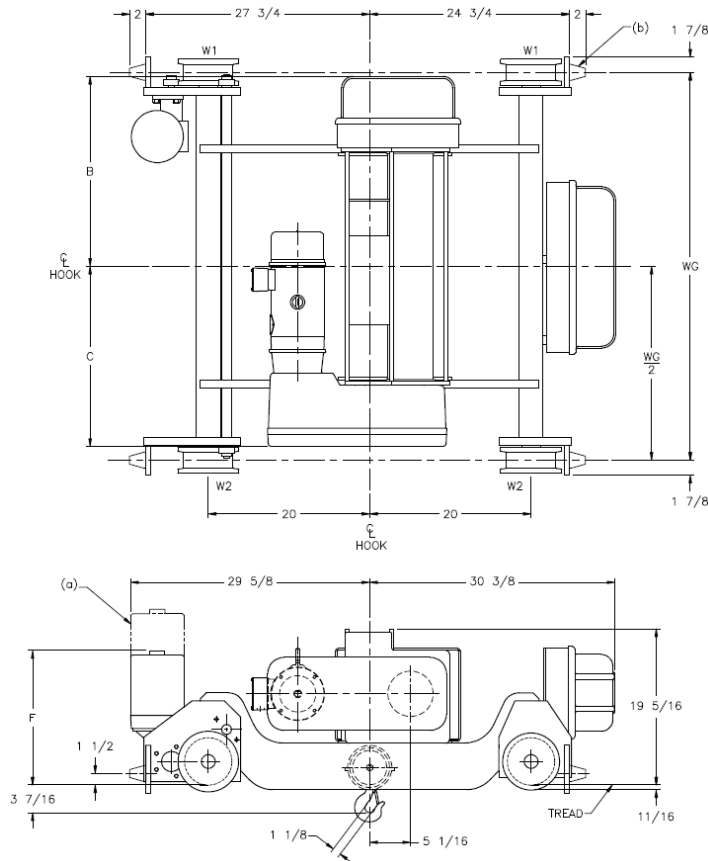
All two speed motors are 1800/600 RPM.

TROLLEY DATA:	Speed	32 FPM	65 FPM	125 FPM
	HP	1/2	1/2	1/2

WHEEL LOADING		
Lift (Ft)	Pounds Per Wheel	
	W1	W2
32	729	774
61	748	808

Wheel Dia. 6

Max. Rail Size - 30 #/Yd.



ACCO Acco Material
 Handling Solutions

800-967-7333 www.accomhs.com

WARNING

Equipment described herein is not designed for, and should not be used for, lifting, supporting, or transporting humans. Modifications to upgrade, rerate, or otherwise alter the hoist or crane equipment shall be authorized only by the original manufacturer or qualified professional engineer. Failure to comply with any one of the limitations noted herein may result in serious bodily injury.

© 2012 ACCO Material Handling Solutions

St5



THE NEW CENTURY SERIES®

Electric Wire Rope Hoists

Issued 06-01-12

Top Running Trolley Hoist Series 31

2 Part Double Reeved
1/4 Diameter Rope

2 TON

For Pricing See Page 6tS

MODEL NUMBER	Lift (Ft)	Lift Speed (FPM)	HP	B	C	Trolley Drive		Wheel Gage (WG)	Weight	Drum
						Single Speed	Two Speed			
						F (a)	F(a)			
C1W02D025-15T2D0	25	15	2	23-1/2	22-3/8	16-5/8	17-5/8	48	1024	2
C1W02D049-15T2D0	49	15	2	33-1/2	32-3/8	16-5/8	17-5/8	60	1132	3
C1W02D025-20T2D0	25	20	3	23-1/2	22-3/8	16-5/8	17-5/8	48	1024	2
C1W02D049-20T2D0	49	20	3	33-1/2	32-3/8	16-5/8	17-5/8	60	1132	3
C1W02D025-30T2D0	25	30	4	23-1/2	22-3/8	16-5/8	17-5/8	48	1024	2
C1W02D049-30T2D0	49	30	4	33-1/2	32-3/8	16-5/8	17-5/8	60	1132	3

All dimensions shown in inches unless otherwise specified.

(a) Trolley brake is available as optional equipment. Add 5-1/8" to dimension F.

(b) Four rubber bumpers are available as optional equipment.

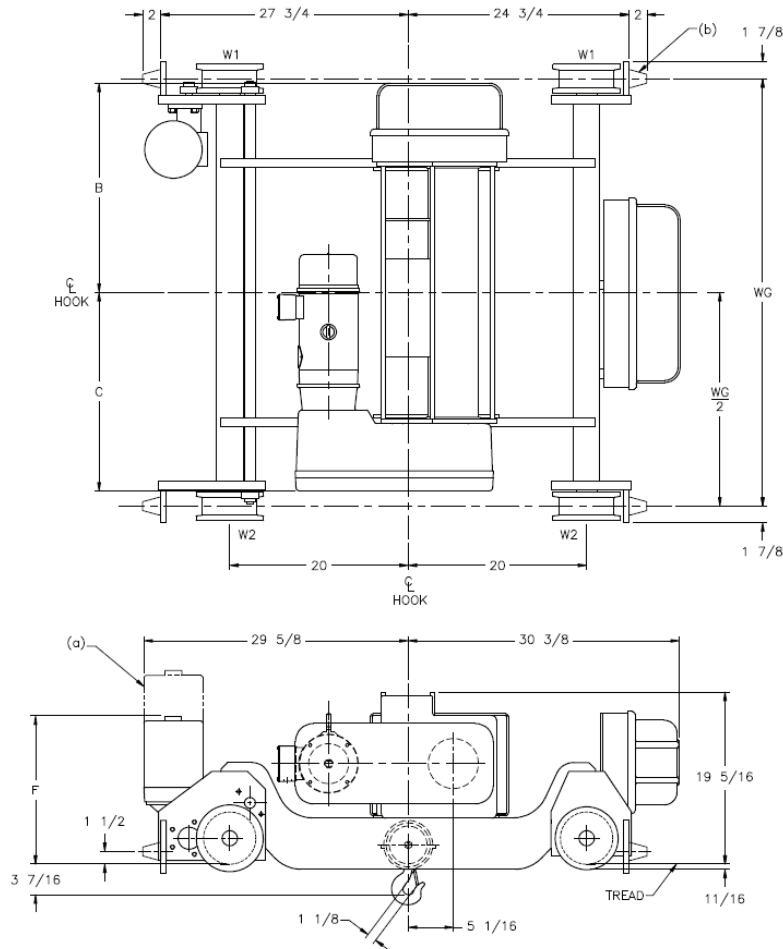
Rail gage (beam spacing of the crane) must match wheel gage of the top running trolley hoist based on lift and drum length.

All two speed motors are 1800/600 RPM.

TROLLEY DATA:	Speed	32 FPM	65 FPM	125 FPM
	HP	1/2	1/2	1/2

WHEEL LOADING		
Lift (Ft)	Pounds Per Wheel	
	W1	W2
25	1233	1279
49	1253	1313

Wheel Dia. 6
Max. Rail Size - 30 #/Yd.



ACCO Acco Material Handling Solutions 800-967-7333 www.accomhs.com



Equipment described herein is not designed for, and should not be used for, lifting, supporting, or transporting humans. Modifications to upgrade, rerate, or otherwise alter the hoist or crane equipment shall be authorized only by the original manufacturer or qualified professional engineer. Failure to comply with any one of the limitations noted herein may result in serious bodily injury.

© 2012 ACCO Material Handling Solutions

WRIGHT®
SPEEDWAY®
THE NEW CENTURY SERIES®

Top Running Trolley Hoist
Series 31

3 TON

2 Part Double Reeved
 5/16 Diameter Rope

Electric Wire Rope Hoists

Issued 06-01-12

For Pricing See Page 71S

MODEL NUMBER	Lift (Ft)	Lift Speed (FPM)	HP	B	C	Trolley Drive		Wheel Gage (WG)	Weight	Drum
						Single Speed	Two Speed			
						F (a)	F (a)			
C1W03D021-15T2D0	21	15	3	23-1/2	22-3/8	16-5/8	17-5/8	48	1029	2
C1W03D041-15T2D0	41	15	3	33-1/2	32-3/8	16-5/8	17-5/8	60	1140	3
C1W03D021-20T2D0	21	20	4	23-1/2	22-3/8	16-5/8	17-5/8	48	1029	2
C1W03D041-20T2D0	41	20	4	33-1/2	32-3/8	16-5/8	17-5/8	60	1140	3

All dimensions shown in inches unless otherwise specified.

(a) Trolley brake is available as optional equipment. Add 5-1/8" to dimension F.

(b) Four rubber bumpers are available as optional equipment.

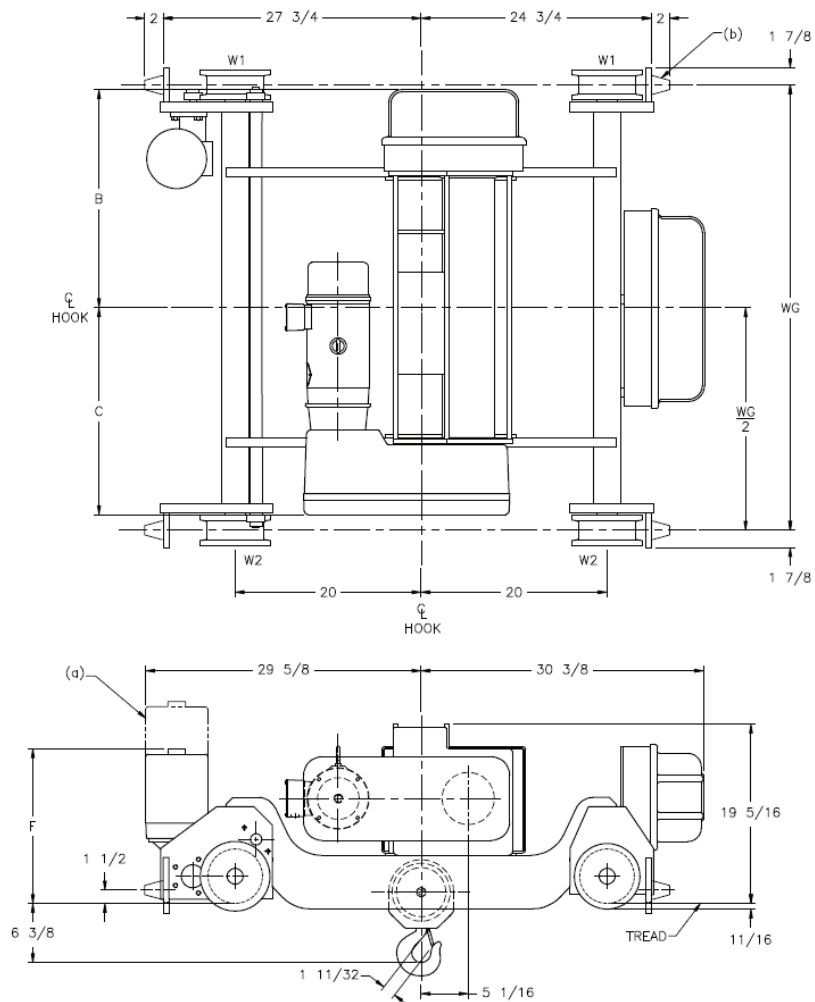
Rail gage (beam spacing of the crane) must match wheel gage of the top running trolley hoist based on lift and drum length.

All two speed motors are 1800/600 RPM.

TROLLEY DATA:	Speed	32 FPM	65 FPM	125 FPM
	HP	1/2	1/2	1/2

WHEEL LOADING		
Lift (Ft)	Pounds Per Wheel	
	W1	W2
21	1734	1781
41	1756	1814

Wheel Dia. 6
 Max. Rail Size - 30 #/Yd.



ACCO Acco Material Handling Solutions 800-967-7333 www.accomhs.com

WARNING

Equipment described herein is not designed for, and should not be used for, lifting, supporting, or transporting humans. Modifications to upgrade, rerate, or otherwise alter the hoist or crane equipment shall be authorized only by the original manufacturer or qualified professional engineer. Failure to comply with any one of the limitations noted herein may result in serious bodily injury.

© 2012 ACCO Material Handling Solutions

WRIGHT®

SPEEDWAY®

THE NEW CENTURY SERIES®

Top Running Trolley Hoist
Series 31

4 Part Double Reeved
5/16 Diameter Rope

5 TON

Electric Wire Rope Hoists

Issued 06-01-12

For Pricing See Page 8tS

MODEL NUMBER	Lift (Ft)	Lift Speed (FPM)	HP	B	C	Trolley Drive		Wheel Gage (WG)	Weight	Drum
						Single Speed	Two Speed			
						F (a)	F (a)			
C1W05D019-12T4D0	19' - 6"	12	4	33-1/2	32-3/8	16-5/8	17-5/8	60	1189	3

All dimensions shown in inches unless otherwise specified.

(a) Trolley brake is available as optional equipment. Add 5-1/8" to dimension F.

(b) Four rubber bumpers are available as optional equipment.

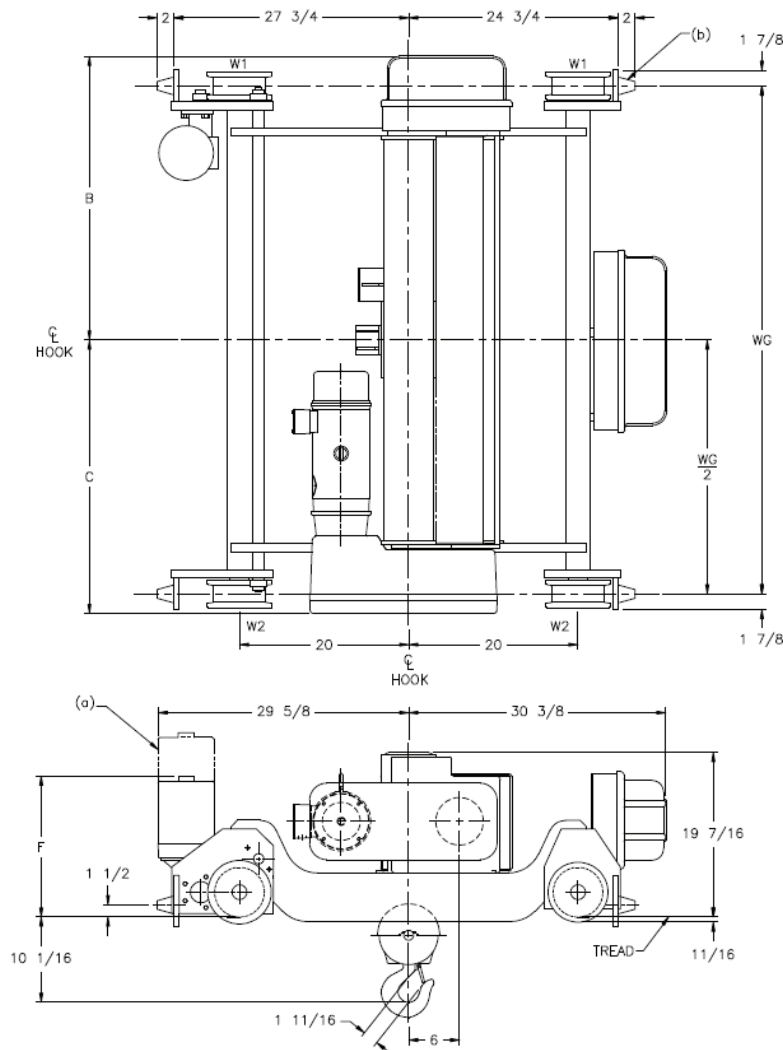
Rail gage (beam spacing of the crane) must match wheel gage of the top running trolley hoist based on lift and drum length.

All two speed motors are 1800/600 RPM.

TROLLEY DATA:	Speed	32 FPM	65 FPM	125 FPM
	HP	1/2	1/2	1

WHEEL LOADING		
Lift (Ft)	Pounds Per Wheel	
	W1	W2
19' - 6"	2794	2801

Wheel Dia. 6
Max. Rail Size - 30 #/Yd.



ACCO Acco Material Handling Solutions 800-967-7333 www.accomhs.com

WARNING

Equipment described herein is not designed for, and should not be used for, lifting, supporting, or transporting humans. Modifications to upgrade, rerate, or otherwise alter the hoist or crane equipment shall be authorized only by the original manufacturer or qualified professional engineer. Failure to comply with any one of the limitations noted herein may result in serious bodily injury.
© 2012 ACCO Material Handling Solutions



THE NEW CENTURY SERIES®

Deck Mounted Features & Benefits

1 TO 5 TON

Electric Wire Rope Hoists

Issued 06-01-12

Wright family of *SPEEDWAY* hoists is a complete line of electric wire rope hoists. It is an advanced design incorporating the most recent materials and concept. The most current duty cycle and safety requirements of users are built into this line, not added on.

CONSTRUCTION FEATURES:

The new style of deck mounted *SPEEDWAY* hoist has been designed to allow for easy mounting of the hoist to a double beam trolley frame.

CONTROLS: Choose from single, 2-speed, or inverter. Controls are magnetic reversing type, mechanically and electrically interlocked with 115 volt control circuit. All wiring conforms to applicable NEC requirements. Motor thermostats are standard providing motor running overcurrent protection. NEMA Type 3R enclosures are standard. Cover is lightweight, tough ABS material, deep-drawn for maximum control accessibility. Controls are shipped loose for customer mounting.

PUSH BUTTON STATION: Push button stations are not furnished as standard equipment with these hoists. Push button station drop of cord & strain chain are available as optional equipment. See Accessories Section. Specify required drop.

MOTOR: Standard NEMA C face mounting, TENV, Class F insulation, 30-minute duty motor is provided for standard commercial power supplies. The motor has a standard NEMA shaft extension.

GEAR TRAIN: Quiet, helical and spur gearing. All gears are machine cut, case-hardened alloy steel with shock-resistant ductile cores. Gearing is designed to AGMA standards for maximum life, and operates in an oil bath. Rugged aluminum alloy housing provides rapid heat dissipation.

BEARINGS - SPIDER RETAINER: Precision heavy-duty ball bearings support all shafts. Bearings at outboard end of shafts are held in place by a heavy-duty Spider Retainer. This allows removal of Gear Housing Cover for inspection (after draining oil). All internal parts remain in place and can be operated for inspection.

DRUM: The large diameter steel drum has machined grooves and large flanges. At least two full turns of rope remain on the drum at the lowest hook position of rated lift.

LOAD BLOCK - HOOK: Drop forged heat-treated steel hook swivels 360° on a shielded roller thrust bearing and comes equipped with a spring latch. Work can be performed on the load block without removing wire rope from drum. Sheaves are machined steel.

WIRE ROPE: Pre-formed wire rope, of hoisting service construction, has swaged fittings on both ends for ease of replacement if necessary.

MECHANICAL LOAD BRAKE: Automatic Weston-type multiple disc brake. It can hold a full capacity load independent of the motor brake and assures that the load does not accelerate while being lowered. Adjustment is not required.

MOTOR BRAKE: Proven in millions of hours of in-service operation, the original *Wright* A-C magnet-actuated disc brake delivers rapid stops with virtually no hook drift. Rated a minimum of 150% of full load motor torque.

LIMIT SWITCH: A gravity-type upper hook travel limit switch is provided. The unit is equipped with an automatic momentary lowering circuit. An optional geared limit switch is also available.

OPTIONAL OVERLOAD CUTOFF:

Protects load, hoist and operator by interrupting raising circuit when hoist senses a damaging overload. When lifting circuit is interrupted, the lowering circuit remains intact to allow the load to be lowered and removed. After the overload is removed the lifting circuit is automatically restored. Overload Cutoff is accessible for field adjustments.



800-967-7333 www.accomhs.com



Equipment described herein is not designed for, and should not be used for, lifting, supporting, or transporting humans. Modifications to upgrade, rerate, or otherwise alter the hoist or crane equipment shall be authorized only by the original manufacturer or qualified professional engineer. Failure to comply with any one of the limitations noted herein may result in serious bodily injury.
© 2012 ACCO Material Handling Solutions

WRIGHT®
SPEEDWAY®

Deck Mounted Features & Benefits

1 TO 5 TON

THE NEW CENTURY SERIES®

Electric Wire Rope Hoists

Issued 06-01-12

HOW TO SPECIFY A SPEEDWAY DECK MOUNTED HOISTS

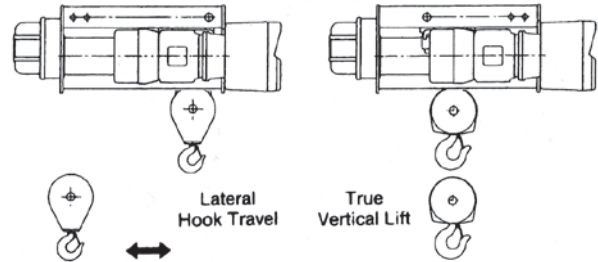
1. DETERMINE THE CAPACITY, LIFTING SPEED, AND LIFTING DISTANCE.

2. DETERMINE THE REEVING REQUIRED FOR YOUR APPLICATION. *SPEEDWAY* hoists may be reeved in various ways to gain desired mechanical advantages... capacity, lifting distance, and lifting speeds.

Reeving terminology is either "single" or "double" which refers to the number of wire ropes coming from the drum.

Another word is "part" which refers to the mechanical advantage gained by multiple reeving. For example, with 2 part single reeving (2 PS) the load is distributed over the two parts and the mechanical advantage doubles the capacity of one part reeving and reduces by one half the lifting or lowering speed of the hook.

Reeving changes hoist arrangement to the beam or track, minimum headroom distance, and lateral hook travel.



Some applications require that the load, when being lifted, not move right or left from hoist centerline. If this requirement is known, a true vertical lift hoist must be used. These are described as double reeved.

3. SPECIFY PROPER MODEL NUMBER in regard to hoist.

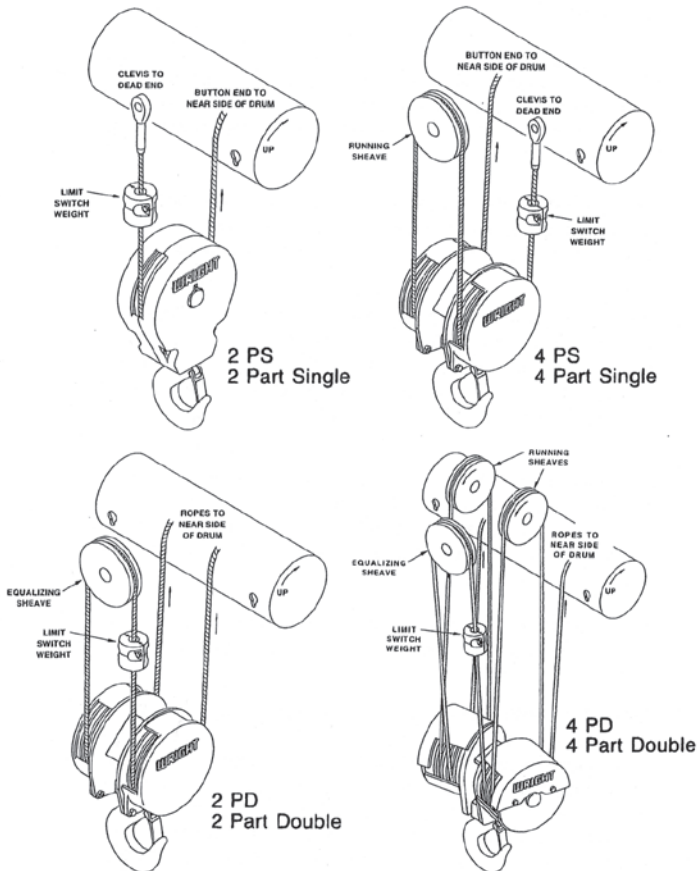
Capacity, lifting speed, mounting and hoist control found in the following pages.

4. SPECIFY MOTOR VOLTAGE: *Wright* standard motors are available in 200/230/460/575-3-60 power with Class F insulation, and are totally enclosed non-ventilated. Control is furnished as standard equipment. Additional motor and control accessories are found in the Accessories Section.

5. SPECIFY OTHER MODIFICATIONS AND ACCESSORIES.

6. SPECIAL APPLICATION HOISTS: Contact your nearest *Wright* representative.

7. ACCO RESERVES THE RIGHT TO MAKE CHANGES TO THIS CATALOG AS MAY BE DEEMED NECESSARY



Acco Material
Handling Solutions

800-967-7333 www.accomhs.com



Equipment described herein is not designed for, and should not be used for, lifting, supporting, or transporting humans. Modifications to upgrade, rerate, or otherwise alter the hoist or crane equipment shall be authorized only by the original manufacturer or qualified professional engineer. Failure to comply with any one of the limitations noted herein may result in serious bodily injury.
© 2012 ACCO Material Handling Solutions

WRIGHT®
SPEEDWAY®

THE NEW CENTURY SERIES®

Electric Wire Rope Hoists

Issued 06-01-12

Deck Mounted Series 31

2 Part Single Reeved
1/4 Diameter Rope

1 TON

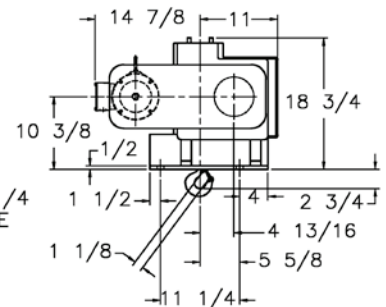
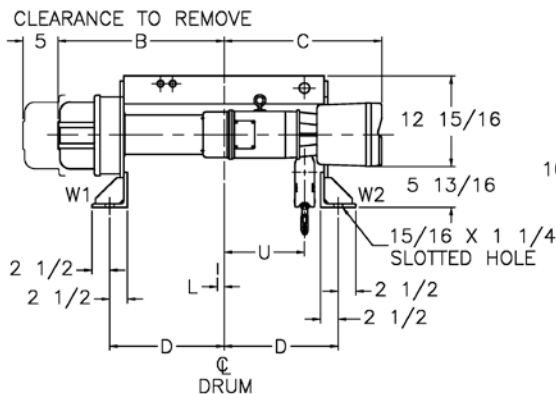
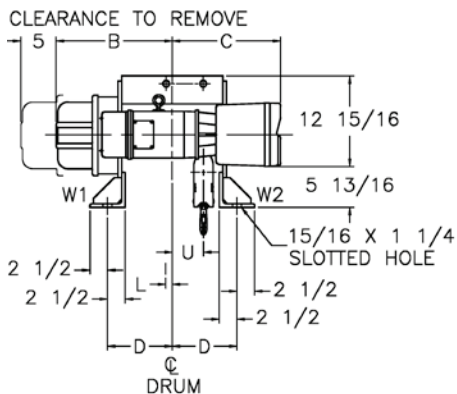
For Pricing See Page 1dS

MODEL NUMBER	Lift (Ft)	Lift Speed (FPM)	HP	B	C	D	Hook Travel		Weight	Drum
							L	U		
C1W01S026-15D2S0	26	15	1	16-3/8	15-3/8	9-3/16	15/16	4-7/16	390	1
C1W01S059-15D2S0	59	15	1	23-3/8	22-3/8	16-3/16	15/16	11-7/16	451	2
C1W01S107-15D2S0	107	15	1	33-3/8	32-3/8	26-3/16	15/16	21-7/16	537	3
C1W01S026-20D2S0	26	20	2	16-3/8	15-3/8	9-3/16	15/16	4-7/16	390	1
C1W01S059-20D2S0	59	20	2	23-3/8	22-3/8	16-3/16	15/16	11-7/16	451	2
C1W01S107-20D2S0	107	20	2	33-3/8	32-3/8	26-3/16	15/16	21-7/16	537	3
C1W01S026-30D2S0	26	30	2	16-3/8	15-3/8	9-3/16	15/16	4-7/16	390	1
C1W01S059-30D2S0	59	30	2	23-3/8	22-3/8	16-3/16	15/16	11-7/16	451	2
C1W01S107-30D2S0	107	30	2	33-3/8	32-3/8	26-3/16	15/16	21-7/16	537	3
C1W01S026-40D2S0	26	40	3	16-3/8	15-3/8	9-3/16	15/16	4-7/16	390	1
C1W01S059-40D2S0	59	40	3	23-3/8	22-3/8	16-3/16	15/16	11-7/16	451	2
C1W01S107-40D2S0	107	40	3	33-3/8	32-3/8	26-3/16	15/16	21-7/16	537	3

All dimensions shown in inches unless otherwise specified.
Controls are shipped loose, mounting and final wiring by others.

MOUNTING DATA

Lift (Ft)	Load in Pounds Per Side			
	W1		W2	
	Lower	Upper	Lower	Upper
26	1297	712	1145	1730
59	1263	499	1239	2003
107	1228	537	1361	2052



ACCO Acco Material Handling Solutions 800-967-7333 www.accomhs.com

WARNING

Equipment described herein is not designed for, and should not be used for, lifting, supporting, or transporting humans. Modifications to upgrade, rerate, or otherwise alter the hoist or crane equipment shall be authorized only by the original manufacturer or qualified professional engineer. Failure to comply with any one of the limitations noted herein may result in serious bodily injury.

© 2012 ACCO Material Handling Solutions

Sd1

WRIGHT®
SPEEDWAY®

THE NEW CENTURY SERIES®

Electric Wire Rope Hoists

Issued 06-01-12

Deck Mounted
Series 31

2 Part Single Reeved
5/16 Diameter Rope

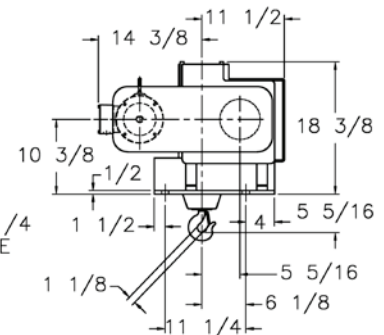
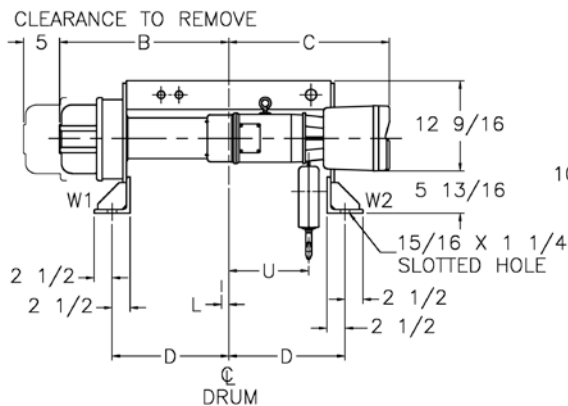
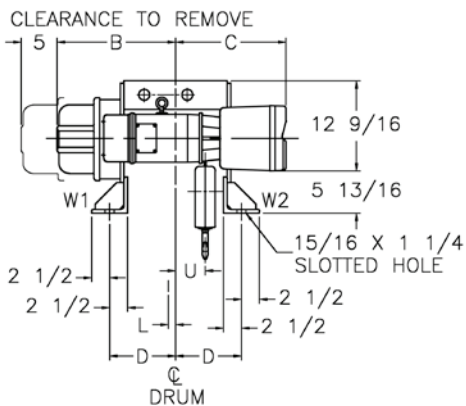
2 TON

For Pricing See Page 2dS

MODEL NUMBER	Lift (Ft)	Lift Speed (FPM)	HP	B	C	D	Hook Travel		Weight	Drum
							L	U		
C1W02S020-15D2S0	20	15	2	16-3/8	15-3/8	9-3/16	1	4-1/8	419	1
C1W02S048-15D2S0	48	15	2	23-3/8	22-3/8	16-3/16	1	11-1/8	483	2
C1W02S089-15D2S0	89	15	2	33-3/8	32-3/8	26-3/16	1	21-1/8	574	3
C1W02S020-20D2S0	20	20	3	16-3/8	15-3/8	9-3/16	1	4-1/8	419	1
C1W02S048-20D2S0	48	20	3	23-3/8	22-3/8	16-3/16	1	11-1/8	483	2
C1W02S089-20D2S0	89	20	3	33-3/8	32-3/8	26-3/16	1	21-1/8	574	3
C1W02S020-30D2S0	20	30	4	16-3/8	15-3/8	9-3/16	1	4-1/8	419	1
C1W02S048-30D2S0	48	30	4	23-3/8	22-3/8	16-3/16	1	11-1/8	483	2
C1W02S089-30D2S0	89	30	4	33-3/8	32-3/8	26-3/16	1	21-1/8	574	3

All dimensions shown in inches unless otherwise specified.
Controls are shipped loose, mounting and final wiring by others.

MOUNTING DATA				
Lift (Ft)	Load in Pounds Per Side			
	W1		W2	
	Lower	Upper	Lower	Upper
20	2522	1339	1938	3121
48	2354	856	2171	3669
89	2237	647	2377	3967



ACCO Acco Material Handling Solutions 800-967-7333 www.accomhs.com

WARNING

Equipment described herein is not designed for, and should not be used for, lifting, supporting, or transporting humans. Modifications to upgrade, rerate, or otherwise alter the hoist or crane equipment shall be authorized only by the original manufacturer or qualified professional engineer. Failure to comply with any one of the limitations noted herein may result in serious bodily injury.

© 2012 ACCO Material Handling Solutions

Sd2

WRIGHT®
SPEEDWAY®

THE NEW CENTURY SERIES®

Electric Wire Rope Hoists

Issued 06-01-12

Deck Mounted Series 31

4 Part Single Reeved
5/16 Diameter Rope

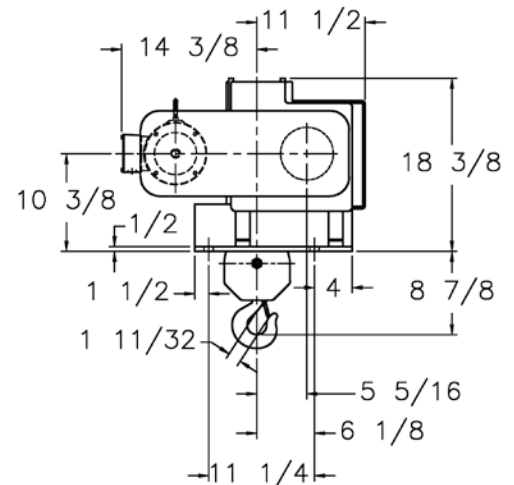
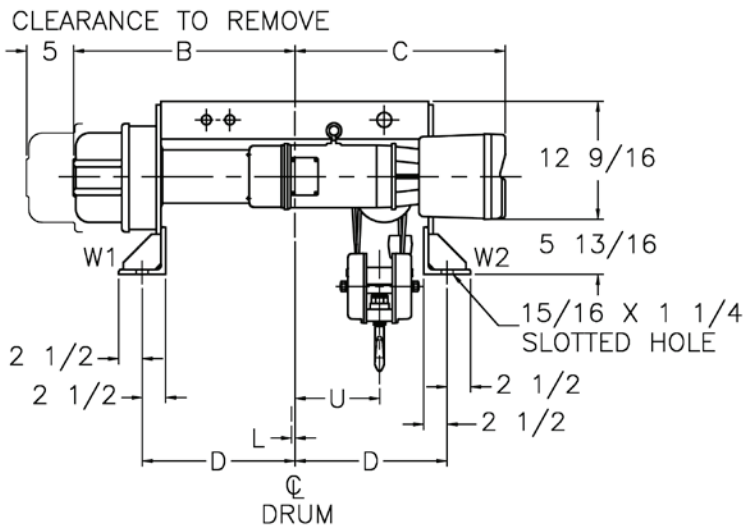
3 TON

For Pricing See Page 3dS

MODEL NUMBER	Lift (Ft)	Lift Speed (FPM)	HP	B	C	D	Hook Travel		Weight	Drum
							L	U		
C1W03S018-15D4S0	18	15	3	23-3/8	22-3/8	16-3/16	3/8	9	532	2
C1W03S038-15D4S0	38	15	3	33-3/8	32-3/8	26-3/16	1/4	19	624	3
C1W03S018-20D4S0	18	20	4	23-3/8	22-3/8	16-3/16	3/8	9	532	2
C1W03S038-20D4S0	38	20	4	33-3/8	32-3/8	26-3/16	1/4	19	624	3

All dimensions shown in inches unless otherwise specified.
Controls are shipped loose, mounting and final wiring by others.

MOUNTING DATA				
Lift (Ft)	Load in Pounds Per Side			
	W1		W2	
	Lower	Upper	Lower	Upper
18	3318	1580	3225	4963
38	3225	1020	3407	5612



ACCO Acco Material
Handling Solutions 800-967-7333 www.accomhs.com

WARNING

Equipment described herein is not designed for, and should not be used for, lifting, supporting, or transporting humans. Modifications to upgrade, rerate, or otherwise alter the hoist or crane equipment shall be authorized only by the original manufacturer or qualified professional engineer. Failure to comply with any one of the limitations noted herein may result in serious bodily injury.

© 2012 ACCO Material Handling Solutions

Sd3

WRIGHT®
SPEEDWAY®

Deck Mounted Series 31

4 Part Single Reeved
5/16 Diameter Rope

4 TON

THE NEW CENTURY SERIES®

Electric Wire Rope Hoists

Issued 06-01-12

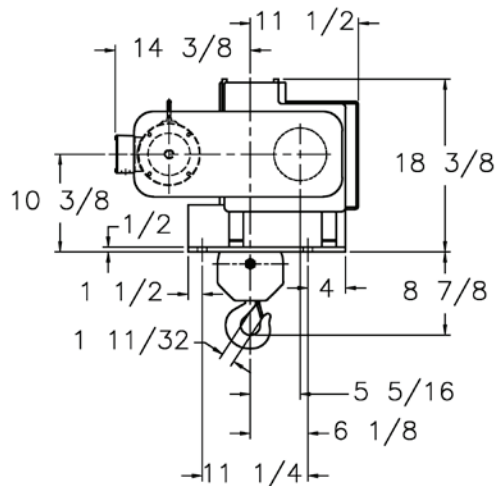
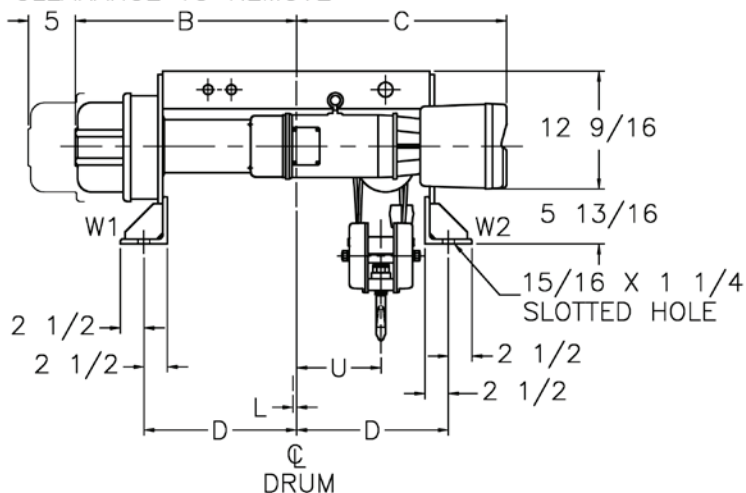
For Pricing See Page 4dS

MODEL NUMBER	Lift (Ft)	Lift Speed (FPM)	HP	B	C	D	Hook Travel		Weight	Drum
							L	U		
C1W04S018-15D4S0	18	15	4	22-3/8	22-3/8	16-3/16	3/8	9	532	2
C1W04S038-15D4S0	38	15	4	33-3/8	32-3/8	26-3/16	1/4	19	624	3

All dimensions shown in inches unless otherwise specified.
Controls are shipped loose, mounting and final wiring by others.

MOUNTING DATA				
Lift (Ft)	Load in Pounds Per Side			
	W1		W2	
	Lower	Upper	Lower	Upper
18	4341	2024	4202	6519
38	4234	1294	4398	7338

CLEARANCE TO REMOVE



ACCO Acco Material Handling Solutions 800-967-7333 www.accomhs.com

WARNING

Equipment described herein is not designed for, and should not be used for, lifting, supporting, or transporting humans. Modifications to upgrade, rerate, or otherwise alter the hoist or crane equipment shall be authorized only by the original manufacturer or qualified professional engineer. Failure to comply with any one of the limitations noted herein may result in serious bodily injury.

© 2012 ACCO Material Handling Solutions

Sd4

WRIGHT®
SPEEDWAY®
THE NEW CENTURY SERIES®

Deck Mounted
Series 31

2 Part Double Reeved
 3/16 Diameter Rope

1 TON

Electric Wire Rope Hoists

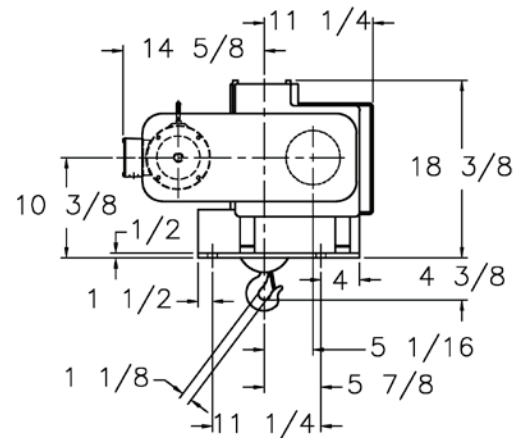
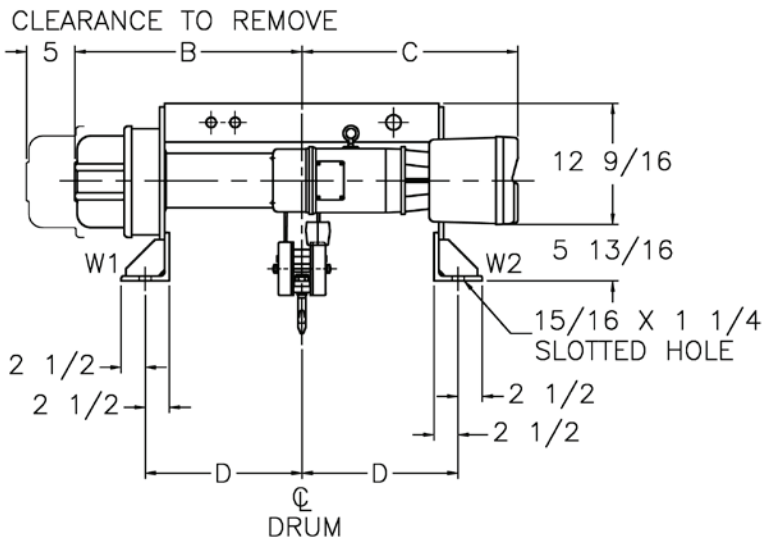
Issued 06-01-12

For Pricing See Page 5dS

MODEL NUMBER	Lift (Ft)	Lift Speed (FPM)	HP	B	C	D	Weight	Drum
C1W01D032-15D2D0	32	15	1	23-3/8	22-3/8	16-3/16	476	2
C1W01D061-15D2D0	61	15	1	33-3/8	32-3/8	26-3/16	562	3
C1W01D032-20D2D0	32	20	2	23-3/8	22-3/8	16-3/16	476	2
C1W01D061-20D2D0	61	20	2	33-3/8	32-3/8	26-3/16	562	3
C1W01D032-30D2D0	32	30	2	23-3/8	22-3/8	16-3/16	476	2
C1W01D061-30D2D0	61	30	2	33-3/8	32-3/8	26-3/16	562	3
C1W01D032-40D2D0	32	40	3	23-3/8	22-3/8	16-3/16	476	2
C1W01D061-40D2D0	61	40	3	33-3/8	32-3/8	26-3/16	562	3

All dimensions shown in inches unless otherwise specified.
 Controls are shipped loose, mounting and final wiring by others.

MOUNTING DATA		
Lift (Ft)	Load in Pounds Per Side	
	W1	W2
	Lower	Lower
32	1191	1337
61	1235	1379



ACCO Acco Material Handling Solutions 800-967-7333 www.accomhs.com

WARNING

Equipment described herein is not designed for, and should not be used for, lifting, supporting, or transporting humans. Modifications to upgrade, rerate, or otherwise alter the hoist or crane equipment shall be authorized only by the original manufacturer or qualified professional engineer. Failure to comply with any one of the limitations noted herein may result in serious bodily injury.

© 2012 ACCO Material Handling Solutions

Sd5

WRIGHT®
SPEEDWAY®

THE NEW CENTURY SERIES®

Electric Wire Rope Hoists

Issued 06-01-12

Deck Mounted Series 31

2 Part Double Reeved
1/4 Diameter Rope

2 TON

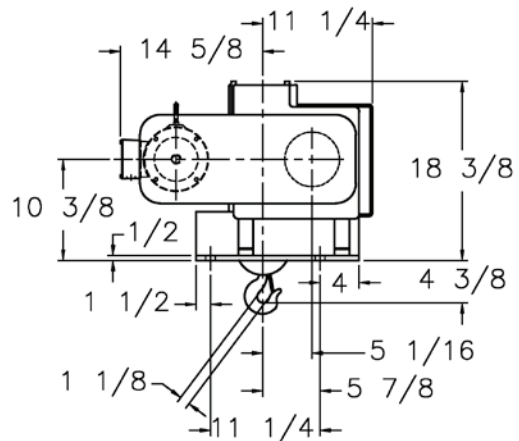
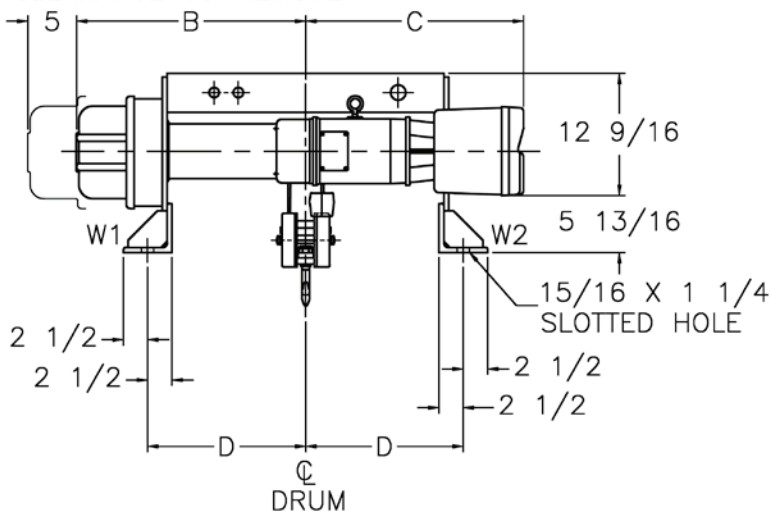
For Pricing See Page 6dS

MODEL NUMBER	Lift (Ft)	Lift Speed (FPM)	HP	B	C	D	Weight	Drum
C1W02D025-15D2D0	25	15	2	23-3/8	22-3/8	16-3/16	505	2
C1W02D049-15D2D0	49	15	2	33-3/8	32-3/8	26-3/16	594	3
C1W02D025-20D2D0	25	20	3	23-3/8	22-3/8	16-3/16	505	2
C1W02D049-20D2D0	49	20	3	33-3/8	32-3/8	26-3/16	594	3
C1W02D025-30D2D0	25	30	4	23-3/8	22-3/8	16-3/16	505	2
C1W02D049-30D2D0	49	30	4	33-3/8	32-3/8	26-3/16	594	3

All dimensions shown in inches unless otherwise specified.
Controls are shipped loose, mounting and final wiring by others.

MOUNTING DATA		
Lift (Ft)	Load in Pounds Per Side	
	W1	W2
	Lower	Lower
25	2198	2349
49	2244	2391

CLEARANCE TO REMOVE



ACCO Acco Material Handling Solutions 800-967-7333 www.accomhs.com

WARNING

Equipment described herein is not designed for, and should not be used for, lifting, supporting, or transporting humans. Modifications to upgrade, rerate, or otherwise alter the hoist or crane equipment shall be authorized only by the original manufacturer or qualified professional engineer. Failure to comply with any one of the limitations noted herein may result in serious bodily injury.

© 2012 ACCO Material Handling Solutions

Sd6

WRIGHT®
SPEEDWAY®
THE NEW CENTURY SERIES®

Deck Mounted
Series 31

2 Part Double Reeved
 5/16 Diameter Rope

3 TON

Electric Wire Rope Hoists

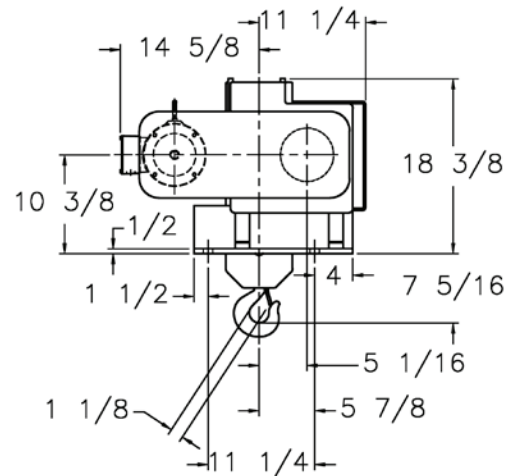
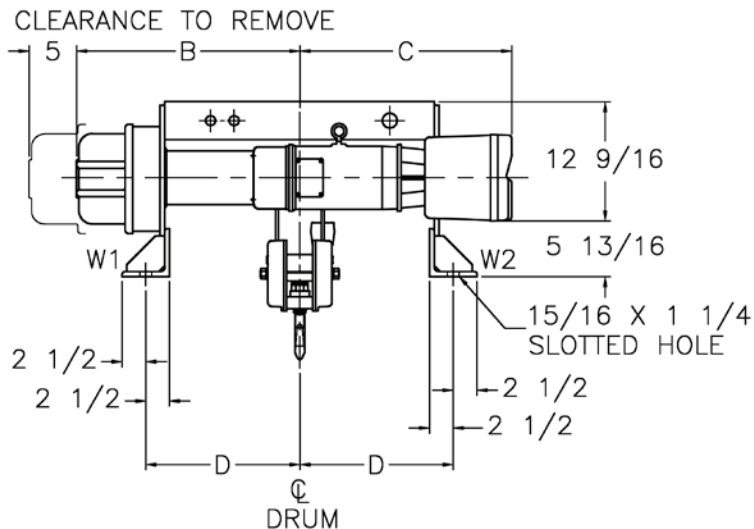
Issued 06-01-12

For Pricing See Page 7dS

MODEL NUMBER	Lift (Ft)	Lift Speed (FPM)	HP	B	C	D	Weight	Drum
C1W03D021-15D2D0	21	15	3	23-3/8	22-3/8	16-3/16	540	2
C1W03D041-15D2D0	41	15	3	33-3/8	32-3/8	26-3/16	632	3
C1W03D021-20D2D0	21	20	4	23-3/8	22-3/8	16-3/16	540	2
C1W03D041-20D2D0	41	20	4	33-3/8	32-3/8	26-3/16	632	3

All dimensions shown in inches unless otherwise specified.
 Controls are shipped loose, mounting and final wiring by others.

MOUNTING DATA		
Lift (Ft)	Load in Pounds Per Side	
	W1	W2
	Lower	Lower
21	3200	3352
41	3247	3396



Acco Material Handling Solutions 800-967-7333 www.accomhs.com

WARNING

Equipment described herein is not designed for, and should not be used for, lifting, supporting, or transporting humans. Modifications to upgrade, rerate, or otherwise alter the hoist or crane equipment shall be authorized only by the original manufacturer or qualified professional engineer. Failure to comply with any one of the limitations noted herein may result in serious bodily injury.
 © 2012 ACCO Material Handling Solutions

Sd7

WRIGHT®
SPEEDWAY®

THE NEW CENTURY SERIES®

Electric Wire Rope Hoists

Issued 06-01-12

Deck Mounted
Series 31

4 Part Double Reeved
5/16 Diameter Rope

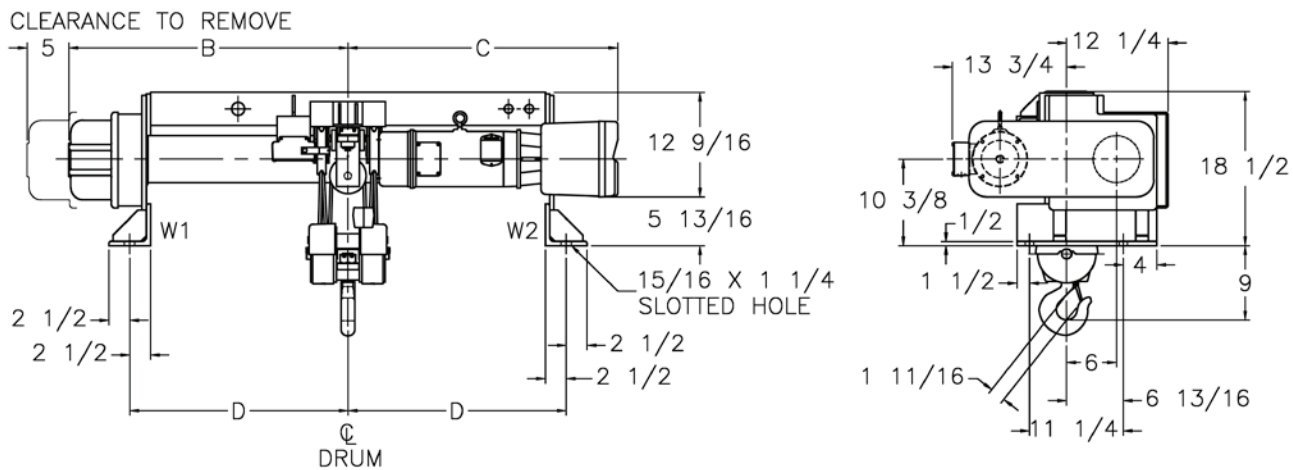
5 TON

For Pricing See Page 8dS

MODEL NUMBER	Lift (Ft)	Lift Speed (FPM)	HP	B	C	D	Weight	Drum
C1W05D019-12D4D0	19' - 6"	12	4	33-3/8	32-5/16	26-3/16	696	3

All dimensions shown in inches unless otherwise specified.
Controls are shipped loose, mounting and final wiring by others.

MOUNTING DATA		
Lift (Ft)	Load in Pounds Per Side	
	W1	W2
	Lower	Lower
19' - 6"	5339	5353



ACCO Acco Material Handling Solutions 800-967-7333 www.accomhs.com

WARNING

Equipment described herein is not designed for, and should not be used for, lifting, supporting, or transporting humans. Modifications to upgrade, rerate, or otherwise alter the hoist or crane equipment shall be authorized only by the original manufacturer or qualified professional engineer. Failure to comply with any one of the limitations noted herein may result in serious bodily injury.
© 2012 ACCO Material Handling Solutions

Sd8

WRIGHT®
SPEEDWAY®

THE NEW CENTURY SERIES®

Electric Wire Rope Hoists

Issued 06-01-12

Base Mounted Winch Features & Benefits

1/2 TO 1-1/2 TON

Wright family of *SPEEDWAY* winches is a complete line of electric wire rope hoists. It is an advanced design incorporating the most recent materials and concept. The most current duty cycle and safety requirements of users are built into this line, not added on.

CONSTRUCTION FEATURES:

CONTROLS: Choose from single, 2-speed, or inverter. Controls are magnetic reversing type, mechanically and electrically interlocked with 115 volt control circuit. All wiring conforms to applicable NEC requirements. Motor thermostats are standard providing motor running overcurrent protection. NEMA Type 3R enclosures are standard. Cover is lightweight, tough ABS material, deep-drawn for maximum control accessibility. Controls are shipped loose for customer mounting.

MOTOR: Standard NEMA C face mounting, TENV, Class F insulation, 30-minute duty motor is provided for standard commercial power supplies. The motor has a standard NEMA shaft extension.

GEAR TRAIN: Quiet, helical and spur gearing. All gears are machine cut, case-hardened alloy steel with shock-resistant ductile cores. Gearing is designed to AGMA standards for maximum life, and operates in an oil bath. Rugged aluminum alloy housing provides rapid heat dissipation.

BEARINGS - SPIDER RETAINER: Precision heavy-duty ball bearings support all shafts. Bearings at outboard end of shafts are held in place by a heavy-duty Spider Retainer. This allows removal of Gear Housing Cover for inspection (after draining oil). All internal parts remain in place and can be operated for inspection.

DRUM: The large diameter steel drum has machined grooves and large flanges. At least two full turns of rope remain on the drum at rated drum winding capacity. Load capacity of each winch is rated a total line pull of the lead wire rope off the winch's drum. A single line winch has one lead of wire rope off the drum rated at full capacity. A double line winch has two leads of wire rope off hoist drum with a capacity of one half hoist rated capacity.

MECHANICAL LOAD BRAKE: Automatic Weston-type multiple disc brake. It can hold a full capacity load independent of the motor brake and assures that load does not accelerate while being lowered. Adjustment is not required.

MOTOR BRAKE: Proven in millions of hours of in-service operation, the original *Wright A-C* magnet-actuated disc brake delivers rapid stops with virtually no hook drift. Rated a minimum of 150% of full load motor torque.

OVERLOAD CUTOFF: Exclusive patented Wright unit is not available on winches.

HOW TO SPECIFY A SPEEDWAY WINCH

1. DETERMINE THE CAPACITY, NUMBER OF LINES, LIFTING SPEED, AND WIRE ROPE LEAD OFF POSITION FOR YOUR APPLICATION. *SPEEDWAY* winches may be reeved in various ways to gain desired mechanical advantages. The chart in paragraph 4 illustrates characteristics of each type of reeving.

Reeving may change capacity, lifting distances, lifting speeds, and cable size.

Reeving terminology is either "single" or "double" which refers to the number of wire ropes coming from the drum.

Another word is "part" which refers to the mechanical advantage gained by multiple reeving. For example, with one part single reeving (1 PS), the load is supported by one part of a single rope. By reeving single rope into two parts (2 part single) the load is distributed over the two parts and the mechanical advantage doubles the capacity of one part reeving and reduces by one half the lifting or lowering speed of the hook.

2. SPECIFY PROPER MODEL NUMBER in regards to winch capacity, drum winding capacity, lifting speed and hoist control found in following pages. Winches are grouped by load capacity. All winches are one part single reeved (1 PS) in either single or double line models.

3. SPECIFY EITHER SINGLE LINE OR DOUBLE LINE MODEL.

4. SPECIFY DRUM REEVING ARRANGEMENTS.

SINGLE LINE REEVING ARRANGEMENTS

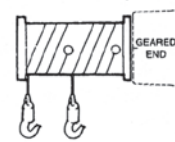
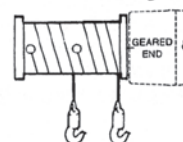


DOUBLE LINE REEVING ARRANGEMENTS



Standard Arrangement

CC Arrangement



DD Arrangement

EE Arrangement

ACCO Acco Material
Handling Solutions 800-967-7333 www.accomhs.com

WARNING

Equipment described herein is not designed for, and should not be used for, lifting, supporting, or transporting humans. Modifications to upgrade, rerate, or otherwise alter the hoist or crane equipment shall be authorized only by the original manufacturer or qualified professional engineer. Failure to comply with any one of the limitations noted herein may result in serious bodily injury.
© 2012 ACCO Material Handling Solutions

WRIGHT®
SPEEDWAY®

Base Mounted Winch Features & Benefits

1/2 TO 1-1/2 TON

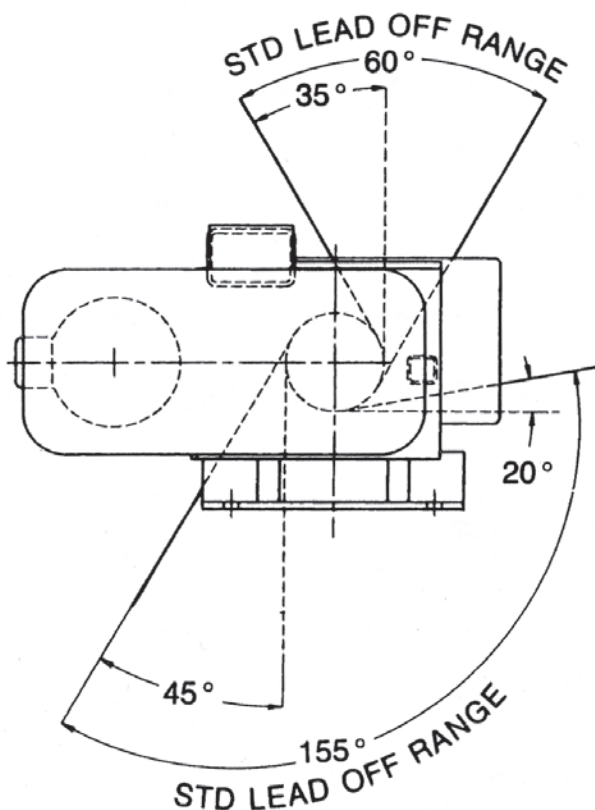
THE NEW CENTURY SERIES®

Electric Wire Rope Hoists

Issued 06-01-12

5. DETERMINE IF STANDARD LINE LEADOFF ANGLE IS APPROPRIATE. *SPEEDWAY* winches are designed with a standard range or ranges of leadoff angles. See the illustration below for location of the standard range.

If any of desired leadoff angle falls into non standard area, the factory must be consulted for fabrication and additional pricing factors, Specify the desired angle range viewed from the gearing end of winch. State angle in EXACT degree clockwise from zero vertical leadoff position as shown. If a range of degrees is required, state both limits in degrees.



6. SPECIFY THE WIRE ROPE.

SPEEDWAY winches are not furnished with wire rope but are available with wire rope as optional equipment. Wire rope on all winches is 6 x 37 preformed. Certain applications may require non-rotating cable, 18 x 7 construction. Prices for non-rotating cable are available on application. Specify the wire rope by total length, diameter, and desired fittings.

7. SPECIFY CABLE FITTINGS. The drum end (live end) cable fitting is attached to wire rope when supplied from the factory. The cable fitting is designed for easy installation and is swaged on to provide maximum security. See Accessories Section for pricing.

The following "DEAD END" cable fittings are available on application:

- Eye Bolt
- Turn Buckle
- Threaded Rod
- Swivel Hook

The "DEAD END" of wire rope may be specified "OPEN" (no fittings) or with any of the above fittings.

8. SPECIFY LOAD BLOCK AND IDLER SHEAVES. Information and data for these items are found in Accessories Section.

9. SPECIFY MOTOR VOLTAGE. *Wright* standard motors are available in 200/230/460/575-3-60 power with Class F insulation, and are totally enclosed non-ventilated.

10. CONTROL. Control is furnished as standard equipment. Additional motor and control accessories and modifications are found in Accessories Section. Control is shipped loose for customer mounting. If control mounting by ACCO is desired, contact factory for pricing. Contact factory for control dimensions and locations.

11. SPECIFY PUSH BUTTON STATION. Push button station, drop of cord and strain chain are available as optional equipment. Specify drop of push button, calculated from center line of a winch to center line of the push button, See Accessories Section.

12. SPECIFY LIMIT SWITCHES. *SPEEDWAY* winches are not furnished with a standard limit switch or an overload cutoff device. Geared limit switch is available as optional equipment. A separate gravity limit switch to be actuated by the bottom block or load hook assembly is required per ANSI / ASME B30 standards. Slack line limit switch is available on application.

13. ACCO RESERVES THE RIGHT TO MAKE CHANGES TO THIS CATALOG AS MAY BE DEEMED NECESSARY.

ACCO Acco Material Handling Solutions 800-967-7333 www.accomhs.com

⚠ WARNING

Equipment described herein is not designed for, and should not be used for, lifting, supporting, or transporting humans. Modifications to upgrade, rerate, or otherwise alter the hoist or crane equipment shall be authorized only by the original manufacturer or qualified professional engineer. Failure to comply with any one of the limitations noted herein may result in serious bodily injury.
© 2012 ACCO Material Handling Solutions

WRIGHT®
SPEEDWAY®

THE NEW CENTURY SERIES®

Electric Wire Rope Hoists

Issued 06-01-12

Base Mounted Winch
Series 31

1 Part Single Reeved
1/4 Diameter Rope

1 1/2 TON

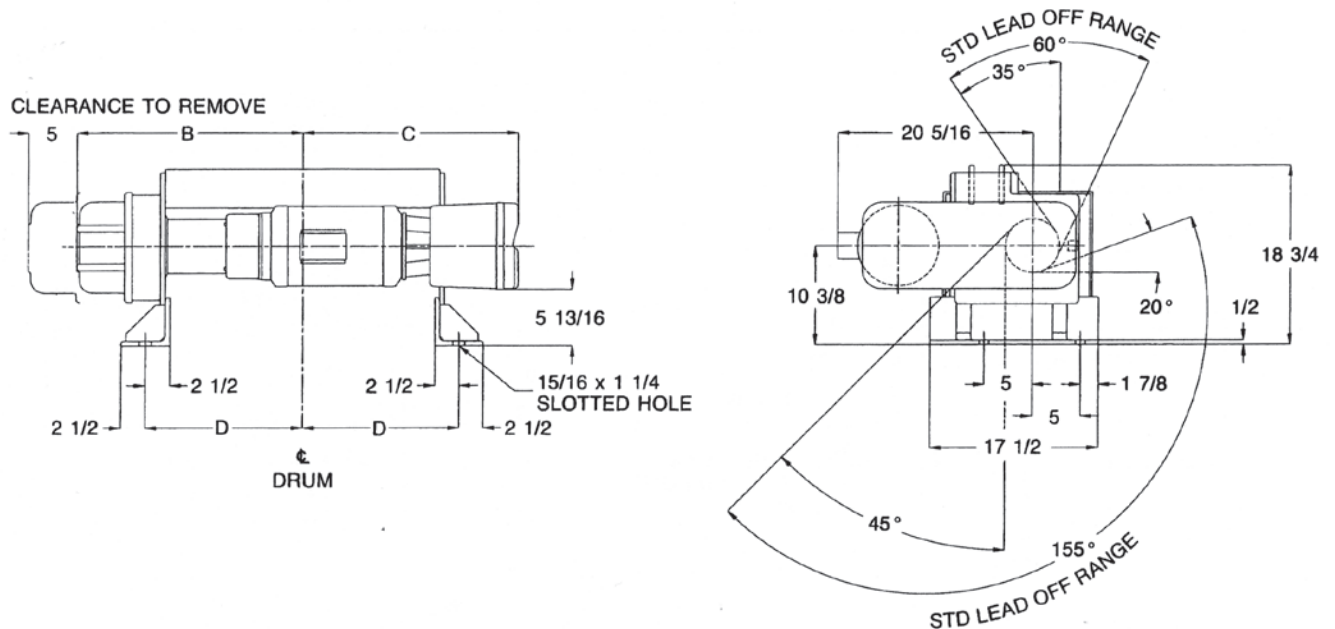
For Pricing See Page 1wS

MODEL NUMBER	Drum Winding Capacity (x) (Ft)	Wire Speed (FPM)	HP	B	C	D	Weight	Drum
C1W92S052-30W1S0	52	30	1	16-3/8	15-3/8	9-3/16	339	1
C1W92S119-30W1S0	119	30	1	23-3/8	22-3/8	16-3/16	393	2
C1W92S215-30W1S0	215	30	1	33-3/8	32-3/8	26-3/16	473	3
C1W92S052-40W1S0	52	40	2	16-3/8	15-3/8	9-3/16	339	1
C1W92S119-40W1S0	119	40	2	23-3/8	22-3/8	16-3/16	393	2
C1W92S215-40W1S0	215	40	2	33-3/8	32-3/8	26-3/16	473	3
C1W92S052-60W1S0	52	60	2	16-3/8	15-3/8	9-3/16	339	1
C1W92S119-60W1S0	119	60	2	23-3/8	22-3/8	16-3/16	393	2
C1W92S215-60W1S0	215	60	2	33-3/8	32-3/8	26-3/16	473	3
C1W92S052-80W1S0	52	80	3	16-3/8	15-3/8	9-3/16	339	1
C1W92S119-80W1S0	119	80	3	23-3/8	22-3/8	16-3/16	393	2
C1W92S215-80W1S0	215	80	3	33-3/8	32-3/8	26-3/16	473	3

All dimensions shown in inches unless otherwise specified.

Controls are shipped loose, mounting and final wiring by others at destination.

(x) Maximum drum winding capacity is given with two remaining wraps of rope on drum.



ACCO Acco Material
Handling Solutions

800-967-7333 www.accomhs.com

WARNING

Equipment described herein is not designed for, and should not be used for, lifting, supporting, or transporting humans. Modifications to upgrade, rerate, or otherwise alter the hoist or crane equipment shall be authorized only by the original manufacturer or qualified professional engineer. Failure to comply with any one of the limitations noted herein may result in serious bodily injury.

© 2012 ACCO Material Handling Solutions

Sw1

WRIGHT®
SPEEDWAY®

THE NEW CENTURY SERIES®

Electric Wire Rope Hoists

Issued 06-01-12

Base Mounted Winch Series 31

1 Part Single Reeved
5/16 Diameter Rope

1 TON

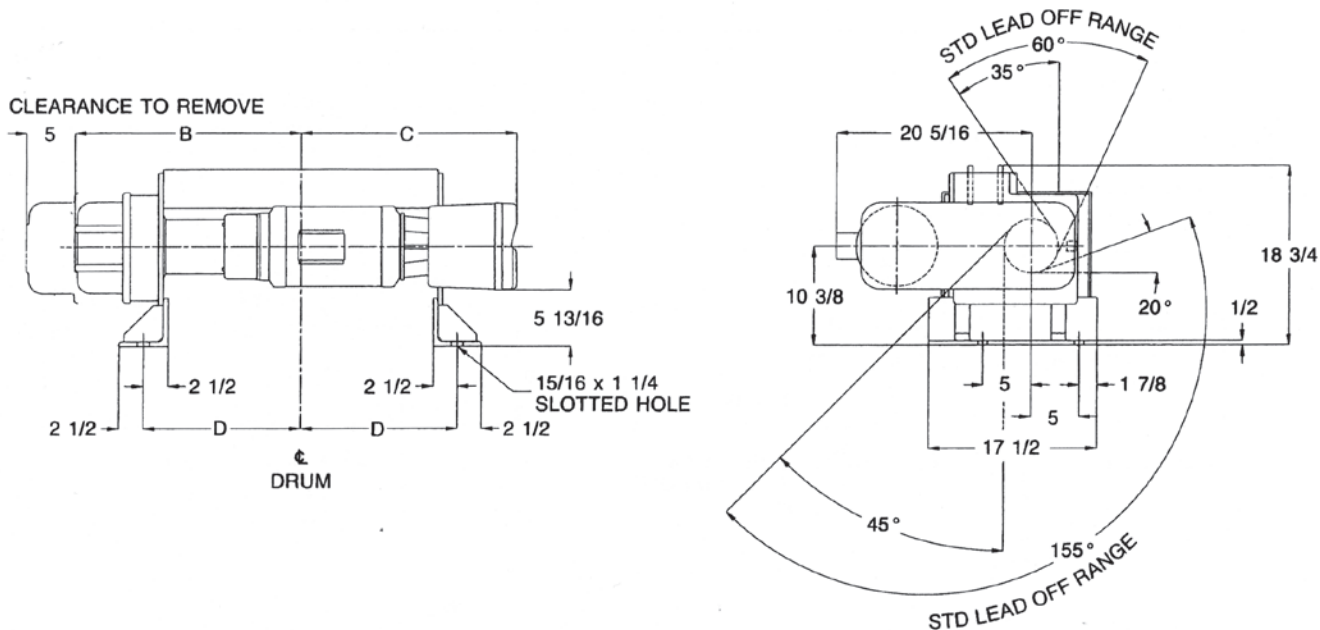
For Pricing See Page 2wS

MODEL NUMBER	Drum Winding Capacity (x) (Ft)	Wire Speed (FPM)	HP	B	C	D	Weight	Drum
C1W01S044-30W1S0	44	30	2	16-3/8	15-3/8	9-3/16	364	1
C1W01S100-30W1S0	100	30	2	23-3/8	22-3/8	16-3/16	418	2
C1W01S181-30W1S0	181	30	2	33-3/8	32-3/8	26-3/16	498	3
C1W01S044-40W1S0	44	40	3	16-3/8	15-3/8	9-3/16	364	1
C1W01S100-40W1S0	100	40	3	23-3/8	22-3/8	16-3/16	418	2
C1W01S181-40W1S0	181	40	3	33-3/8	32-3/8	26-3/16	498	3
C1W01S044-60W1S0	44	60	4	16-3/8	15-3/8	9-3/16	364	1
C1W01S100-60W1S0	100	60	4	23-3/8	22-3/8	16-3/16	418	2
C1W01S181-60W1S0	181	60	4	33-3/8	32-3/8	26-3/16	498	3

All dimensions shown in inches unless otherwise specified.

Controls are shipped loose, mounting and final wiring by others at destination.

(x) Maximum drum winding capacity is given with two remaining wraps of rope on drum.



ACCO Acco Material Handling Solutions 800-967-7333 www.accomhs.com

WARNING

Equipment described herein is not designed for, and should not be used for, lifting, supporting, or transporting humans. Modifications to upgrade, rerate, or otherwise alter the hoist or crane equipment shall be authorized only by the original manufacturer or qualified professional engineer. Failure to comply with any one of the limitations noted herein may result in serious bodily injury.

© 2012 ACCO Material Handling Solutions

Sw2

WRIGHT®
SPEEDWAY®

THE NEW CENTURY SERIES®

Electric Wire Rope Hoists

Issued 06-01-12

Base Mounted Winch Series 31

1 Part Double Reeved
3/16 Diameter Rope

1/2 TON

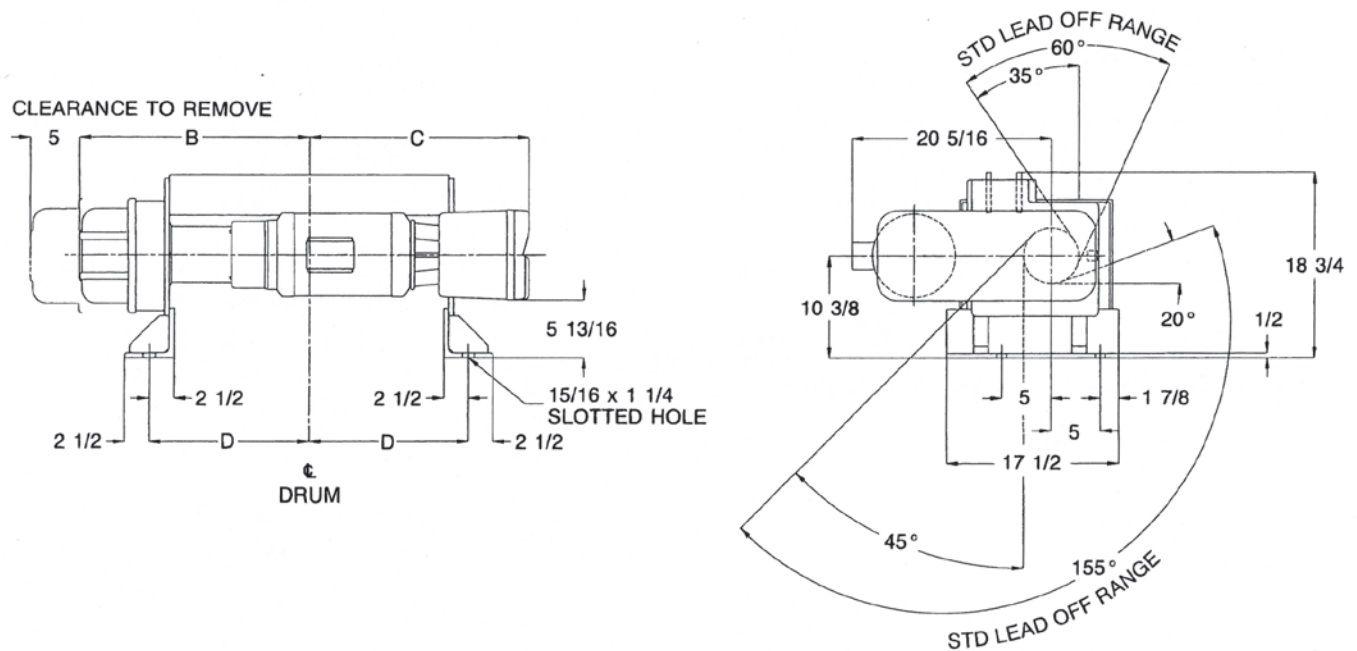
For Pricing See Page 3wS

MODEL NUMBER	Drum Winding Capacity (x) (Ft)	Wire Speed (FPM)	HP	B	C	D	Weight	Drum
C1W92D064-30W1D0	64	30	1	23-3/8	22-3/8	16-3/16	393	2
C1W92D123-30W1D0	123	30	1	33-3/8	32-3/8	26-3/16	473	3
C1W92D064-40W1D0	64	40	2	23-3/8	22-3/8	16-3/16	393	2
C1W92D123-40W1D0	123	40	2	33-3/8	32-3/8	26-3/16	473	3
C1W92D064-60W1D0	64	60	2	23-3/8	22-3/8	16-3/16	393	2
C1W92D123-60W1D0	123	60	2	33-3/8	32-3/8	26-3/16	473	3
C1W92D064-80W1D0	64	80	3	23-3/8	22-3/8	16-3/16	393	2
C1W92D123-80W1D0	123	80	3	33-3/8	32-3/8	26-3/16	473	3

All dimensions shown in inches unless otherwise specified.

Controls are shipped loose, mounting and final wiring by others at destination.

(x) Maximum drum winding capacity, each hand, is given with two remaining wraps of rope on drum.



ACCO Acco Material
Handling Solutions

800-967-7333 www.accomhs.com

WARNING

Equipment described herein is not designed for, and should not be used for, lifting, supporting, or transporting humans. Modifications to upgrade, rerate, or otherwise alter the hoist or crane equipment shall be authorized only by the original manufacturer or qualified professional engineer. Failure to comply with any one of the limitations noted herein may result in serious bodily injury.

© 2012 ACCO Material Handling Solutions

Sw3

WRIGHT®
SPEEDWAY®

THE NEW CENTURY SERIES®

Electric Wire Rope Hoists

Issued 06-01-12

Base Mounted Winch

Series 31

1 Part Double Reeved
1/4 Diameter Rope

1 TON

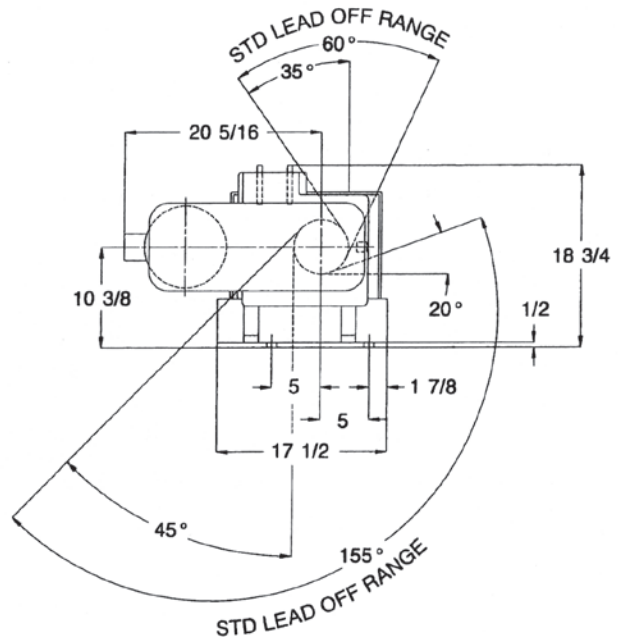
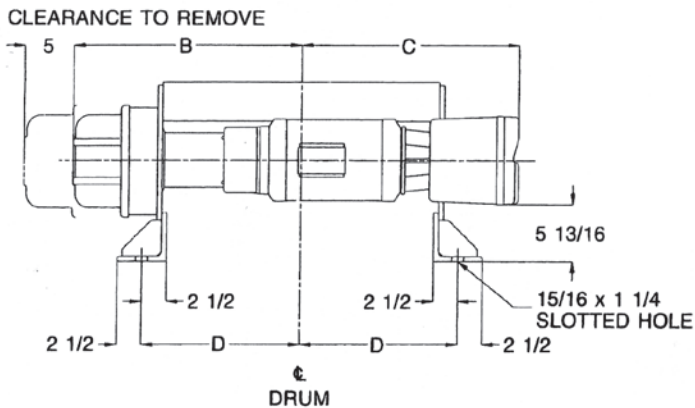
For Pricing See Page 4wS

MODEL NUMBER	Drum Winding Capacity (x) (Ft)	Wire Speed (FPM)	HP	B	C	D	Weight	Drum
C1W01D051-30W1D0	51	30	2	23-3/8	22-3/8	16-3/16	418	2
C1W01D099-30W1D0	99	30	2	33-3/8	32-3/8	26-3/16	498	3
C1W01D051-40W1D0	51	40	3	23-3/8	22-3/8	16-3/16	418	2
C1W01D099-40W1D0	99	40	3	33-3/8	32-3/8	26-3/16	498	3
C1W01D051-60W1D0	51	60	4	23-3/8	22-3/8	16-3/16	418	2
C1W01D099-60W1D0	99	60	4	33-3/8	32-3/8	26-3/16	498	3

All dimensions shown in inches unless otherwise specified.

Controls are shipped loose, mounting and final wiring by others at destination.

(x) Maximum drum winding capacity, each hand, is given with two remaining wraps of rope on drum.



ACCO Acco Material Handling Solutions 800-967-7333 www.accomhs.com

WARNING

Equipment described herein is not designed for, and should not be used for, lifting, supporting, or transporting humans. Modifications to upgrade, rerate, or otherwise alter the hoist or crane equipment shall be authorized only by the original manufacturer or qualified professional engineer. Failure to comply with any one of the limitations noted herein may result in serious bodily injury.

© 2012 ACCO Material Handling Solutions

Sw4

WRIGHT®
SPEEDWAY®

THE NEW CENTURY SERIES®

Electric Wire Rope Hoists

Issued 06-01-12

Base Mounted Winch
Series 31

1 Part Double Reeved
5/16 Diameter Rope

1 1/2 TON

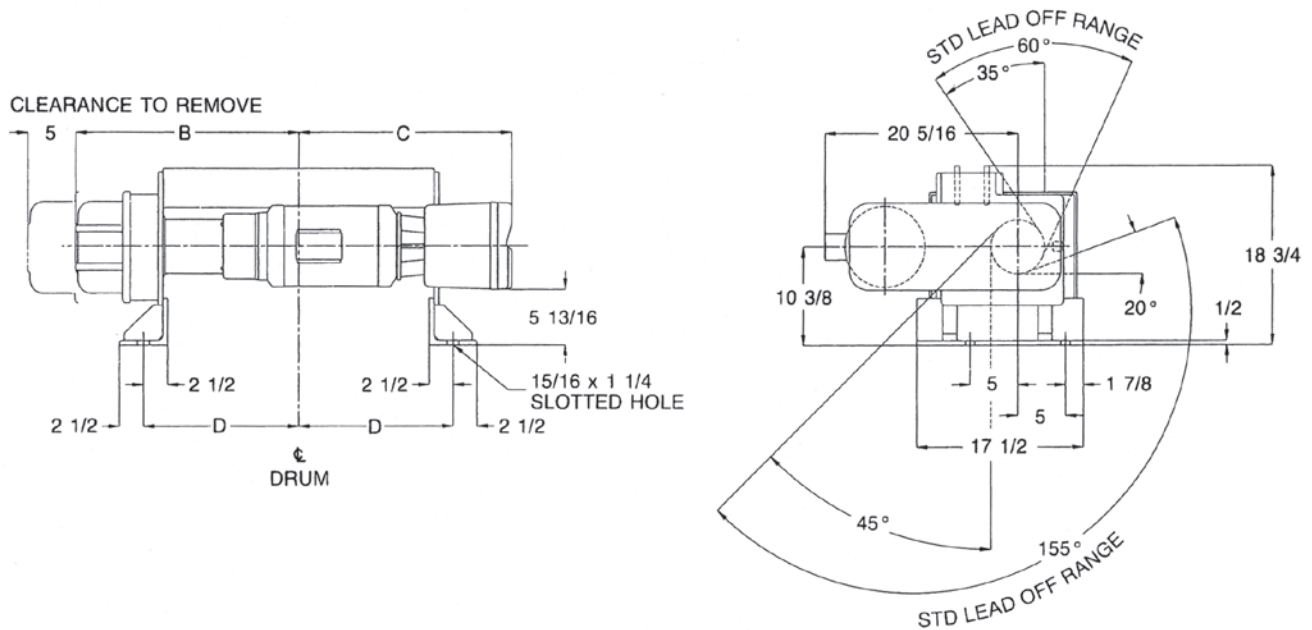
For Pricing See Page 5wS

MODEL NUMBER	Drum Winding Capacity (x) (Ft)	Wire Speed (FPM)	HP	B	C	D	Weight	Drum
C1W96D042-30W1D0	42	30	3	23-3/8	22-3/8	16-3/16	449	2
C1W96D083-30W1D0	83	30	3	33-3/8	32-3/8	26-3/16	529	3
C1W96D042-40W1D0	42	40	4	23-3/8	22-3/8	16-3/16	449	2
C1W96D083-40W1D0	83	40	4	33-3/8	32-3/8	26-3/16	529	3

All dimensions shown in inches unless otherwise specified.

Controls are shipped loose, mounting and final wiring by others at destination.

(x) Maximum drum winding capacity, each hand, is given with two remaining wraps of rope on drum.



ACCO Acco Material Handling Solutions 800-967-7333 www.accomhs.com

WARNING

Equipment described herein is not designed for, and should not be used for, lifting, supporting, or transporting humans. Modifications to upgrade, rerate, or otherwise alter the hoist or crane equipment shall be authorized only by the original manufacturer or qualified professional engineer. Failure to comply with any one of the limitations noted herein may result in serious bodily injury.

© 2012 ACCO Material Handling Solutions

Sw5

WRIGHT®
Work-Rated®

THE NEW CENTURY SERIES®

Electric Wire Rope Hoists

Issued 06-01-12

Monorail Hoist Features & Benefits

1 TO 25 TON

Wright family of *Work-Rated* hoists is a complete line of electric wire rope hoists. It is an advanced design incorporating the most recent materials and concept. The most current duty cycle and safety requirements of users are built into this line, not added on.

CONSTRUCTION FEATURES:

CONTROLS: Choose from single, 2-speed, or inverter. Controls are magnetic reversing type, mechanically and electrically interlocked with 115 volt control circuit. All wiring conforms to applicable NEC requirements. Motor thermostats are standard providing motor running overcurrent protection. NEMA Type 3R enclosures are standard. Cover is lightweight, tough ABS material, deep-drawn for maximum control accessibility.

PUSH BUTTON STATION: Push button stations are not furnished as standard equipment with these hoists. Push button station drop of cord & strain chain are available as optional equipment. See Accessories Section. Specify required drop.

MOTOR: Standard NEMA C face mounting, TENV, Class F insulation, 30-minute duty motor is provided for standard commercial power supplies. The motor has a standard NEMA shaft extension.

GEAR TRAIN: Quiet, helical and spur gearing. All gears are machine cut, case-hardened alloy steel with shock-resistant ductile cores. Gearing is designed to AGMA standards for maximum life, and operates in an oil bath. Rugged aluminum alloy housing provides rapid heat dissipation.

BEARINGS - SPIDER RETAINERS: Precision heavy-duty ball bearings support all shafts. All bearings are either splash lubricated, or lifetime pre-lubricated and sealed. Bearings at outboard end of shafts are held in place by heavy-duty Spider Retainers. This allows removal of Gear Housing Cover for inspection (after draining oil). All internal parts remain in place and can be operated for inspection.

DRUM: The large diameter steel drum has machined grooves and large flanges. At least two full turns of rope remain on the drum at the lowest hook position of rated lift.

LOAD BLOCK - HOOK: Drop forged heat-treated steel hook swivels 360° on a shielded roller thrust bearing and comes equipped with a spring latch. Work can be performed on the load block without removing wire rope from drum. Sheaves are machined steel.

WIRE ROPE: Pre-formed wire rope, of hoisting service construction, made of extra improved plow steel (XIP) with an independent wire rope center. Has swaged fittings on both ends for ease of replacement if necessary.

MECHANICAL LOAD BRAKE: Automatic Weston-type multiple disc brake can hold a full capacity load independent of motor brake. This brake assures that load does not accelerate while being lowered. No wear compensation adjustment is required.

MOTOR BRAKE: Proven in millions of hours of in-service operation, the original *Wright* rectified D-C magnet-actuated disc brake delivers rapid stops with virtually no hook drift. Rated a minimum of 150% of full load motor torque. Exclusive brake-sensing microswitch prevents motor from operating against engaged brake and when brake requires adjustment.

LIMIT SWITCH: A gravity-type upper hook travel limit switch is provided. The unit is equipped with an automatic momentary lowering circuit. An optional geared limit switch is also available.

OVERLOAD CUTOFF: Exclusive patented ACCO unit is standard on all *Work-Rated* hoists except single-line models. The overload limiting device shall be designed to permit operation of the hoist within its rated load and to limit the amount of overload that can be lifted by a properly maintained hoist, under normal operating conditions.

The overload limiting device may allow the lifting of an overload, but shall be designed to prevent the lifting of an overload of such magnitude that could cause damage to a hoist, trolley, or supports. This does not imply that any overload is to be intentionally applied to the hoist.

The overload limiting device is an emergency device and shall not be used to measure the maximum load to be lifted and shall not be used to sense the overload imposed by the constrained load.

TROLLEY FRAME: The trolley frame shall be built of steel and precision machined to assure proper alignment of trolley wheels and drives.

TROLLEY WHEELS: Trolley wheels shall have tread surfaces machined and hardened to 375-425 Brinell. Each wheel shall be supported on anti-friction bearings suitable to take radial and thrust loads. The wheels shall be lubricated at the factory with a sodium base grease. The trolley wheels have dual tread for operation on tapered or flat flange beams. Wheel treads shall be smooth, true and uniform within .010 inch tread diameter on all wheels.

TROLLEY DRIVE: The trolley drive shall be a right angle worm gear reducer fully enclosed with a steel worm and bronze worm wheel designed to AGMA standards. The final reduction gear reduction at trolley wheels will be spur gears and will be open. The trolley drive motor shall be TENV 30 minute duty with class F insulation and NEMA C face mounting. A spring set A.C. disc type brake is available as optional equipment.

TROLLEY CONTROLS: Choose from single, 2-speed, or inverter. Single and 2-speed control are available with ACM solid state cushion start for smooth travel motion and excellent load control as optional equipment.

HOW TO SPECIFY A *Work-Rated* HOIST

1. DETERMINE THE CAPACITY, LIFTING SPEED AND LIFTING DISTANCE.

2. DETERMINE THE REEVING REQUIRED FOR YOUR APPLICATION. *Work-Rated* hoists may be reeved in various ways to gain desired mechanical advantages ... capacity, lifting distance, and lifting speeds.

Reeving terminology is either "single" or "double" which refers to the number of wire ropes coming from the drum.



Acco Material
Handling Solutions

800-967-7333 www.accomhs.com



Equipment described herein is not designed for, and should not be used for, lifting, supporting, or transporting humans. Modifications to upgrade, rerate, or otherwise alter the hoist or crane equipment shall be authorized only by the original manufacturer or qualified professional engineer. Failure to comply with any one of the limitations noted herein may result in serious bodily injury.
© 2012 ACCO Material Handling Solutions

WRIGHT®

Work-Rated®

THE NEW CENTURY SERIES®

Electric Wire Rope Hoists

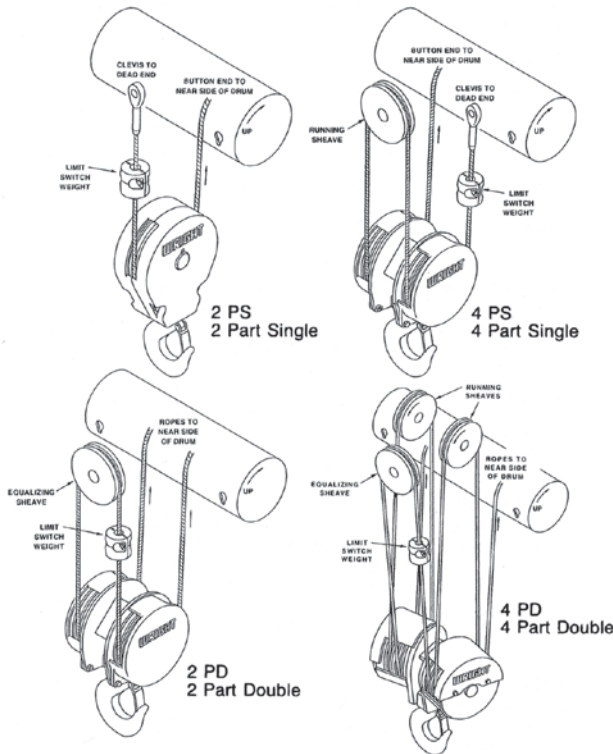
Issued 06-01-12

Monorail Hoist Features & Benefits

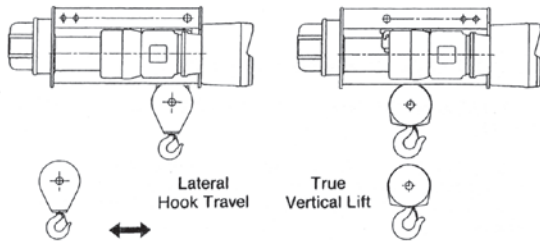
1 TO 25 TON

Another word is "part" which refers to the mechanical advantage gained by multiple reeving. For example, with 2 part single reeving (2 PS) the load is distributed over the two parts and the mechanical advantage doubles the capacity of one part reeving and reduces by one half the lifting or lowering speed of the hook.

Reeving changes hoist arrangement to the beam or track, minimum headroom distance, and lateral hook travel.



HOOK TRAVEL:



Some applications require that the load, when being lifted, not move right or left from hoist centerline. If this requirement is known, a true vertical lift hoist must be used. These are described as two part double (2 PD) or four part double (4 PD).

	Single Reeved	Double Reeved
Reeving:	2 PS or 4 PS	2 PD or 4 PD
Minimum Headroom:	Fair	Good
Lateral Hook Travel:	Hook travels	None
Cost:	Lower	Higher

HEADROOM: Some applications require that the distance from the bottom of beam to saddle of the hook be held to a minimum. This dimension will determine whether single reeved or double reeved model is required.

3. SPECIFY PROPER MODEL NUMBER in regard to hoist. Capacity, lifting speed, mounting and hoist control found in the following pages.

4. SPECIFY MOTOR VOLTAGE: *Wright* standard motors are available in 200/230/460/575-3-60 power with Class F insulation, and are totally enclosed non-ventilated. Control is furnished as standard equipment. Additional motor and control accessories are found in the Accessories Section.

5. SPECIFY BEAM FLANGE WIDTH: Work-rated trolleys are adjustable for Standard I beam or WF beam, 4 inch to 11 inch flange width. Beam size must be specified. Trolleys are also available for 3.25 or 3.33" patented track beams. Trolleys for WF beams with flange widths greater than 11 inches available. See Accessories. All reference to beam flange widths are for clearance purposes only and do not imply that lower flange of beam will support hoist with load.

6. SPECIFY OTHER MODIFICATIONS AND ACCESSORIES.

7. SPECIAL APPLICATION HOISTS: Contact your nearest *Wright* representative.

8. FOR CURVED TRACK APPLICATION, CONTACT FACTORY.

9. ACCO RESERVES THE RIGHT TO MAKE CHANGES TO THIS CATALOG AS MAY BE DEEMED NECESSARY.



WRIGHT® Work-Rated®

THE NEW CENTURY SERIES®

Electric Wire Rope Hoists

Issued 06-01-12

Monorail Hoist Series 32

2 Part Single Reeved
3/8 Diameter Rope

1 TON

For Pricing See Page 1m

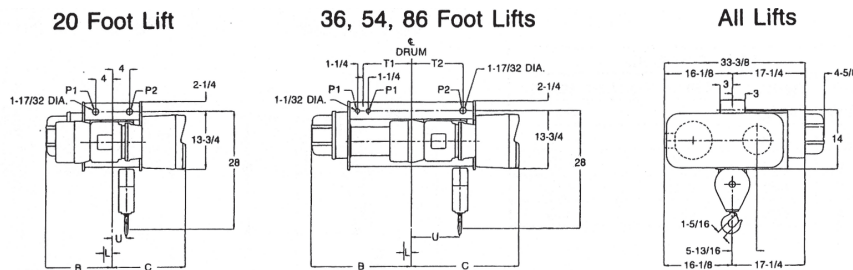
MODEL NUMBER	Lift (Ft)	Lift Speed (FPM)	HP	B	C	Hook Travel		T1	T2	Drum
						L	U			
C2W01S020-15*2S0	20	15	3	15-3/4	17-1/4	1-15/16	3-5/16	-	-	1
C2W01S036-15*2S0	36	15	3	19-3/8	21-1/8	1-13/16	7-3/16	7-1/8	7-7/8	3
C2W01S054-15*2S0	54	15	3	23-3/4	25-1/2	1-13/16	11-9/16	11-1/2	12-1/4	4
C2W01S086-15*2S0	86	15	3	31-1/4	33	1-13/16	19-1/16	19	19-3/4	6
C2W01S020-22*2S0	20	22	3	15-3/4	17-1/4	1-15/16	3-5/16	-	-	1
C2W01S036-22*2S0	36	22	3	19-3/8	21-1/8	1-13/16	7-3/16	7-1/8	7-7/8	3
C2W01S054-22*2S0	54	22	3	23-3/4	25-1/2	1-13/16	11-9/16	11-1/2	12-1/4	4
C2W01S086-22*2S0	86	22	3	31-1/4	33	1-13/16	19-1/16	19	19-3/4	6
C2W01S020-30*2S0	20	30	3	15-3/4	17-1/4	1-15/16	3-5/16	-	-	1
C2W01S036-30*2S0	36	30	3	19-3/8	21-1/8	1-13/16	7-3/16	7-1/8	7-7/8	3
C2W01S054-30*2S0	54	30	3	23-3/4	25-1/2	1-13/16	11-9/16	11-1/2	12-1/4	4
C2W01S086-30*2S0	86	30	3	31-1/4	33	1-13/16	19-1/16	19	19-3/4	6

All dimensions shown in inches unless otherwise specified. Dimensions which change with beam size are for minimum beam shown. Work-Rated trolleys are adjustable for Standard I beam or WF beam, 4 inch to 11 inch flange width. Beam size must be specified. Trolleys are also available for 3.25 or 3.33" patented track beams. See **Accessories Section** for applications with flange width exceeding 11 inches. All reference to beam flange widths are for clearance purposes only and do not imply that lower flange of beam will support hoist with load.

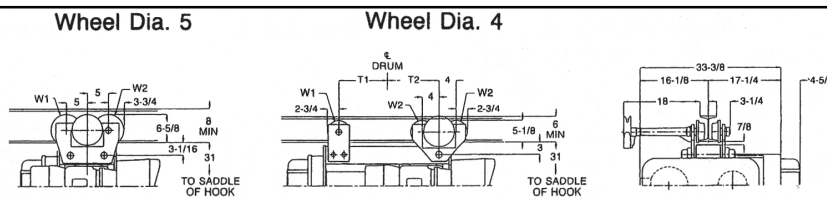
TROLLEY DATA: SPEED 50 FPM 100 FPM
HP 1/2 1/2

All two speed trolley motors are 1800/600 RPM.
(a) Trolley Brake is available as optional equipment

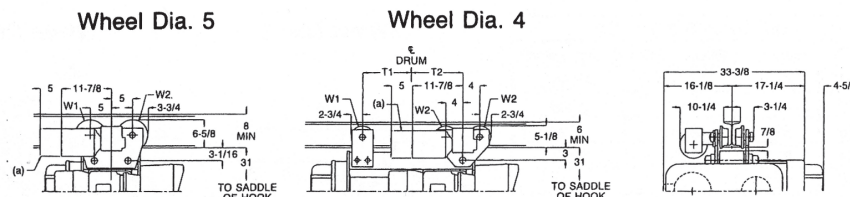
Lift (Ft)	Weight	Pin Load in Lbs. (Max)	
		P1	P2
20	578	2332	1558
36	624	711	2401
54	677	676	2452
86	769	667	2514



Lift (Ft)	Weight*	Wheel Load in Lbs. (Max)	
		PR.W1	PR.W2
20	738	2203	1584
36	752	1469	1241
54	805	1399	1267
86	897	1381	1298



Lift (Ft)	Weight	Wheel Load in Lbs. (Max)	
		PR.W1	PR.W2
20	806	2220	1601
36	820	1469	1275
54	873	1399	1301
86	965	1381	1332



Equipment described herein is not designed for, and should not be used for, lifting, supporting, or transporting humans. Modifications to upgrade, rerate, or otherwise alter the hoist or crane equipment shall be authorized only by the original manufacturer or qualified professional engineer. Failure to comply with any one of the limitations noted herein may result in serious bodily injury.

© 2012 ACCO Material Handling Solutions



Monorail Hoist Series 33

1 TON

THE NEW CENTURY SERIES®

Electric Wire Rope Hoists

Issued 06-01-12

2 Part Single Reeved
1/2 Diameter Rope

For Pricing See Page 1m

MODEL NUMBER	Lift (Ft)	Lift Speed (FPM)	HP	B	C	Hook Travel		T1	T2	Drum
						L	U			
C3W01S020-44*2S0	20	44	7-1/2	18-7/16	18-1/4	1-11/16	3-3/4	-	-	1
C3W01S043-44*2S0	43	44	7-1/2	21-1/2	23-1/4	2-1/16	8-3/8	9-1/4	9-3/4	2
C3W01S066-44*2S0	66	44	7-1/2	27	28-3/4	2-1/16	13-7/8	14-3/4	15-1/4	3
C3W01S093-44*2S0	93	44	7-1/2	33-1/2	35-1/4	2-1/16	20-3/8	19-1/4	21-3/4	4
C3W01S135-44*2S0	135	44	7-1/2	43-1/2	45-1/4	2-1/16	30-3/8	27-1/4	31-3/4	5
C3W01S188-44*2S0	188	44	7-1/2	56	57-3/4	2-1/16	42-7/8	35-3/4	44-1/4	6

*To complete Model Number insert L, P, G or M in place of asterisk.

All dimensions shown in inches unless otherwise specified. Dimensions which change with beam size are for minimum beam shown.

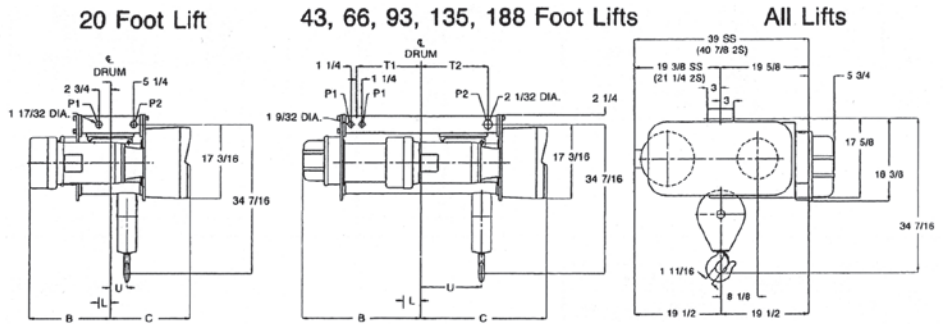
Work-Rated trolleys are adjustable for Standard I beam or WF beam, 4 inch to 11 inch flange width. Beam size must be specified. Trolleys are also available for 3.25 or 3.33" patented track beams. See **Accessories Section** for applications with flange width exceeding 11 inches.

All reference to beam flange widths are for clearance purposes only and do not imply that lower flange of beam will support hoist with load.

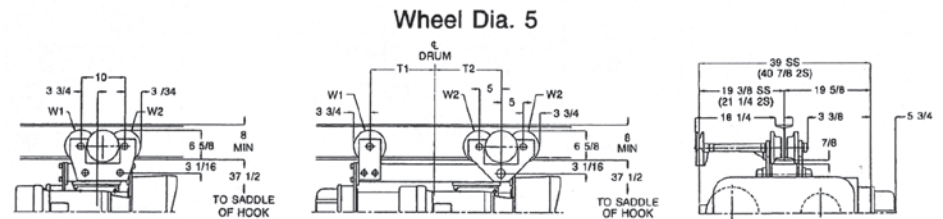
TROLLEY DATA: SPEED 50 FPM 100 FPM
 HP 1/2 1/2

All two speed trolley motors are 1800/600 RPM.
 (a) Trolley Brake is available as optional equipment

LUG MOUNTED			
Lift (Ft)	Weight	Pin Load in Lbs. (Max)	
		P1	P2
20	905	1946	2318
43	996	728	2638
66	1097	723	2713
93	1214	767	2775
135	1396	813	2869
188	1625	891	2966

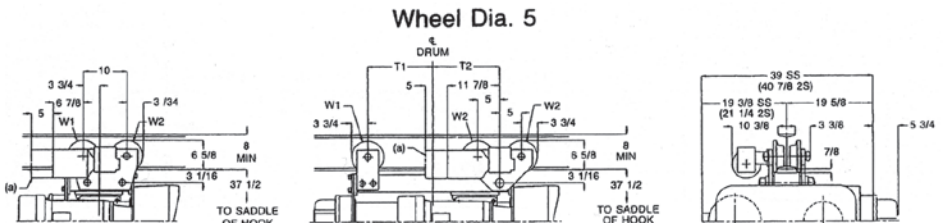


PLAIN OR GEARED TROLLEY			
Lift (Ft)	Weight*	Wheel Load in Lbs. (Max)	
		PR.W1	PR.W2
20	1065	2026	2398
43	1187	1514	1386
66	1288	1504	1423
93	1405	1592	1454
135	1587	1684	1501
188	1816	1840	1550



* Add 40 Lbs. for Geared Trolley.

MOTORIZED TROLLEY			
Lift (Ft)	Weight	Wheel Load in Lbs. (Max)	
		PR.W1	PR.W2
20	1133	2050	2432
43	1255	1514	1420
66	1356	1504	1457
93	1473	1592	1488
135	1655	1684	1535
188	1884	1840	1584





THE NEW CENTURY SERIES®

Electric Wire Rope Hoists

Issued 06-01-12

Monorail Hoist Series 32

2 Part Single Reeved
3/8 Diameter Rope

2 TON

For Pricing See Page 2m

MODEL NUMBER	Lift (Ft)	Lift Speed (FPM)	HP	B	C	Hook Travel		T1	T2	Drum
						L	U			
C2W02S020-15*2S0	20	15	3	15-3/4	17-1/4	1-15/16	3-5/16	-	-	1
C2W02S036-15*2S0	36	15	3	19-3/8	21-1/8	1-13/16	7-3/16	7-1/8	7-7/8	3
C2W02S054-15*2S0	54	15	3	23-3/4	25-1/2	1-13/16	11-9/16	11-1/2	12-1/4	4
C2W02S086-15*2S0	86	15	3	31-1/4	33	1-13/16	19-1/16	19	19-3/4	6
C2W02S020-22*2S0	20	22	3	15-3/4	17-1/4	1-15/16	3-5/16	-	-	1
C2W02S036-22*2S0	36	22	3	19-3/8	21-1/8	1-13/16	7-3/16	7-1/8	7-7/8	3
C2W02S054-22*2S0	54	22	3	23-3/4	25-1/2	1-13/16	11-9/16	11-1/2	12-1/4	4
C2W02S086-22*2S0	86	22	3	31-1/4	33	1-13/16	19-1/16	19	19-3/4	6
C2W02S020-30*2S0	20	30	5	15-3/4	17-1/4	1-15/16	3-5/16	-	-	1
C2W02S036-30*2S0	36	30	5	19-3/8	21-1/8	1-13/16	7-3/16	7-1/8	7-7/8	3
C2W02S054-30*2S0	54	30	5	23-3/4	25-1/2	1-13/16	11-9/16	11-1/2	12-1/4	4
C2W02S086-30*2S0	86	30	5	31-1/4	33	1-13/16	19-1/16	19	19-3/4	6

*To complete Model Number insert L, P, G or M in place of asterick.

All dimensions shown in inches unless otherwise specified. Dimensions which change with beam size are for minimum beam shown.

Work-Rated trolleys are adjustable for Standard I beam or WF beam, 4 inch to 11 inch flange width. Beam size must be specified. Trolleys are also available for 3.25 or 3.33" patented track beams. See **Accessories Section** for applications with flange width exceeding 11 inches.

All reference to beam flange widths are for clearance purposes only and do not imply that lower flange of beam will support hoist with load.

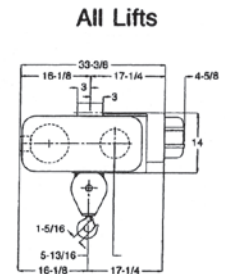
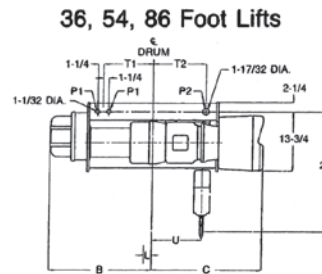
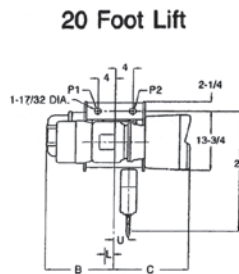
TROLLEY DATA:

SPEED	50 FPM	100 FPM
HP	1/2	1/2

All two speed trolley motors are 1800/600 RPM.

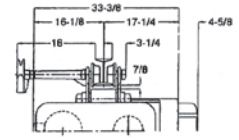
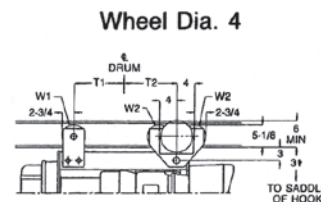
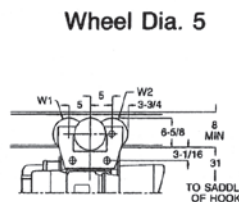
(a) Trolley Brake is available as optional equipment

LUG MOUNTED			
Lift (Ft)	Weight	Pin Load in Lbs. (Max)	
		P1	P2
20	578	4160	3043
36	624	1357	4310
54	677	1268	4394
86	769	1223	4478

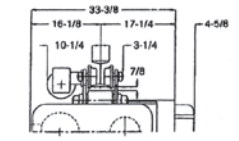
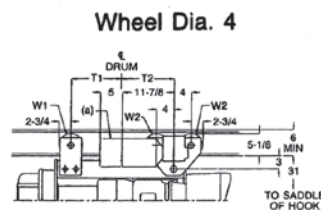
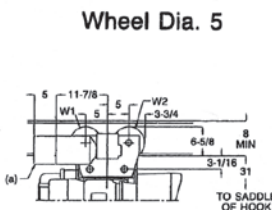


PLAIN OR GEARED TROLLEY			
Lift (Ft)	Weight*	Wheel Load in Lbs. (Max)	
		PR.W1	PR.W2
20	738	3866	2972
36	752	2761	2196
54	805	2583	2237
86	897	2493	2280

* Add 40 Lbs. for Geared Trolley.



MOTORIZED TROLLEY			
Lift (Ft)	Weight	Wheel Load in Lbs. (Max)	
		PR.W1	PR.W2
20	806	3883	2989
36	820	2761	2230
54	873	2583	2271
86	965	2493	2314



ACCO Acco Material Handling Solutions 800-967-7333 www.accomhs.com



Equipment described herein is not designed for, and should not be used for, lifting, supporting, or transporting humans. Modifications to upgrade, rerate, or otherwise alter the hoist or crane equipment shall be authorized only by the original manufacturer or qualified professional engineer. Failure to comply with any one of the limitations noted herein may result in serious bodily injury.

© 2012 ACCO Material Handling Solutions

WRIGHT®

Work-Rated®

THE NEW CENTURY SERIES®

Electric Wire Rope Hoists

Issued 06-01-12

Monorail Hoist Series 33

2 Part Single Reeved
1/2 Diameter Rope

2 TON

For Pricing See Page 2m

MODEL NUMBER	Lift (Ft)	Lift Speed (FPM)	HP	B	C	Hook Travel		T1	T2	Drum
						L	U			
C3W02S020-44*2S0	20	44	7-1/2	18-7/16	18-1/4	1-11/16	3-3/4	-	-	1
C3W02S043-44*2S0	43	44	7-1/2	21-1/2	23-1/4	2-1/16	8-3/8	9-1/4	9-3/4	2
C3W02S066-44*2S0	66	44	7-1/2	27	28-3/4	2-1/16	13-7/8	14-3/4	15-1/4	3
C3W02S093-44*2S0	93	44	7-1/2	33-1/2	35-1/4	2-1/16	20-3/8	19-1/4	21-3/4	4
C3W02S135-44*2S0	135	44	7-1/2	43-1/2	45-1/4	2-1/16	30-3/8	27-1/4	31-3/4	5
C3W02S188-44*2S0	188	44	7-1/2	56	57-3/4	2-1/16	42-7/8	35-3/4	44-1/4	6

*To complete Model Number insert L, P, G or M in place of asterisk.

All dimensions shown in inches unless otherwise specified. Dimensions which change with beam size are for minimum beam shown.

Work-Rated trolleys are adjustable for Standard I beam or WF beam, 4 inch to 11 inch flange width. Beam size must be specified. Trolleys are also available for 3.25 or 3.33" patented track beams. See **Accessories Section** for applications with flange width exceeding 11 inches.

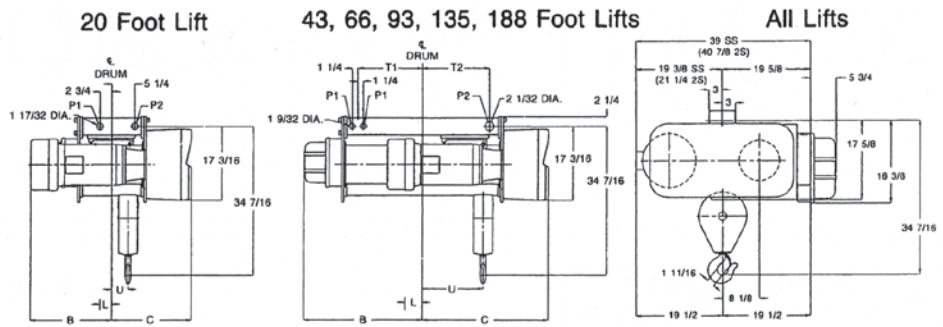
All reference to beam flange widths are for clearance purposes only and do not imply that lower flange of beam will support hoist with load.

TROLLEY DATA:

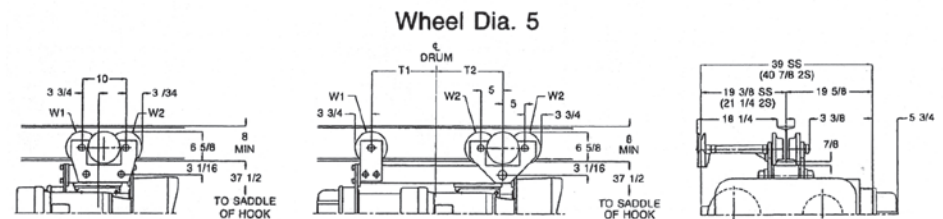
SPEED	50 FPM	100 FPM
HP	1/2	1/2

All two speed trolley motors are 1800/600 RPM.
(a) Trolley Brake is available as optional equipment

LUG MOUNTED			
Lift (Ft)	Weight	Pin Load in Lbs. (Max)	
		P1	P2
20	905	3681	3943
43	996	1349	4494
66	1097	1300	4621
93	1214	1348	4708
135	1396	1386	4822
188	1625	1470	4932

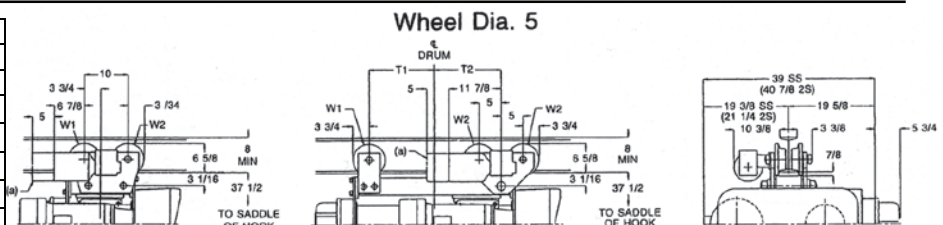


PLAIN OR GEARED TROLLEY			
Lift (Ft)	Weight*	Wheel Load in Lbs. (Max)	
		PR.W1	PR.W2
20	1065	3761	4023
43	1187	2756	2314
66	1288	2658	2378
93	1405	2754	2421
135	1587	2830	2478
188	1816	2998	2533



* Add 40 Lbs. for Geared Trolley.

MOTORIZED TROLLEY			
Lift (Ft)	Weight	Wheel Load in Lbs. (Max)	
		PR.W1	PR.W2
20	1133	3795	4057
43	1255	2756	2348
66	1356	2658	2412
93	1473	2754	2455
135	1655	2830	2512
188	1884	2998	2567



ACCO Acco Material Handling Solutions 800-967-7333 www.accomhs.com



Equipment described herein is not designed for, and should not be used for, lifting, supporting, or transporting humans. Modifications to upgrade, rerate, or otherwise alter the hoist or crane equipment shall be authorized only by the original manufacturer or qualified professional engineer. Failure to comply with any one of the limitations noted herein may result in serious bodily injury.

© 2012 ACCO Material Handling Solutions

WRIGHT®

Work-Rated®

THE NEW CENTURY SERIES®

Electric Wire Rope Hoists

Issued 06-01-12

Monorail Hoist Series 32

2 Part Single Reeved
3/8 Diameter Rope

3 TON

For Pricing See Page 3m

MODEL NUMBER	Lift (Ft)	Lift Speed (FPM)	HP	B	C	Hook Travel		T1	T2	Drum
						L	U			
C2W03S020-15*2S0	20	15	3	15-3/4	17-1/4	1-15/16	3-5/16	-	-	1
C2W03S036-15*2S0	36	15	3	19-3/8	21-1/8	1-13/16	7-3/16	7-1/8	7-7/8	3
C2W03S054-15*2S0	54	15	3	23-3/4	25-1/2	1-13/16	11-9/16	11-1/2	12-1/4	4
C2W03S086-15*2S0	86	15	3	31-1/4	33	1-13/16	19-1/16	19	19-3/4	6
C2W03S020-22*2S0	20	22	5	15-3/4	17-1/4	1-15/16	3-5/16	-	-	1
C2W03S036-22*2S0	36	22	5	19-3/8	21-1/8	1-13/16	7-3/16	7-1/8	7-7/8	3
C2W03S054-22*2S0	54	22	5	23-3/4	25-1/2	1-13/16	11-9/16	11-1/2	12-1/4	4
C2W03S086-22*2S0	86	22	5	31-1/4	33	1-13/16	19-1/16	19	19-3/4	6

*To complete Model Number insert L, P, G or M in place of asterick.

All dimensions shown in inches unless otherwise specified. Dimensions which change with beam size are for minimum beam shown.

Work-Rated trolleys are adjustable for Standard I beam or WF beam, 4 inch to 11 inch flange width. Beam size must be specified. Trolleys are also available for 3.25 or 3.33" patented track beams. See **Accessories Section** for applications with flange width exceeding 11 inches.

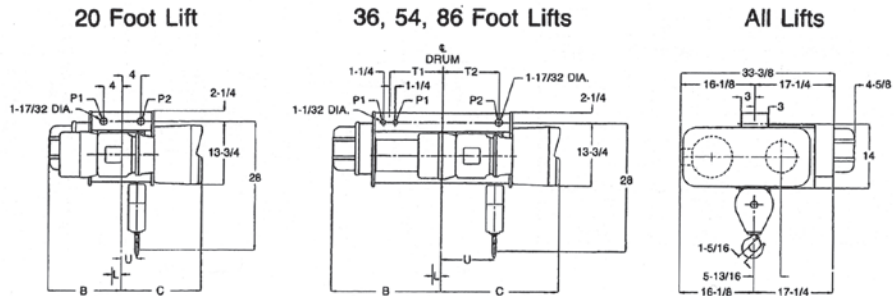
All reference to beam flange widths are for clearance purposes only and do not imply that lower flange of beam will support hoist with load.

TROLLEY DATA: SPEED 50 FPM 100 FPM
 HP 1/2 1/2

All two speed trolley motors are 1800/600 RPM.

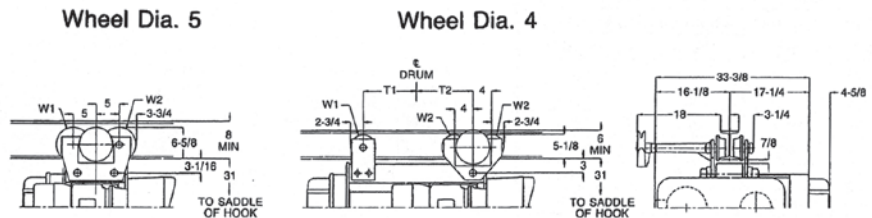
(a) Trolley Brake is available as optional equipment

LUG MOUNTED			
Lift (Ft)	Weight	Pin Load in Lbs. (Max)	
		P1	P2
20	578	5988	4527
36	624	2003	6218
54	677	1860	6336
86	769	1780	6443

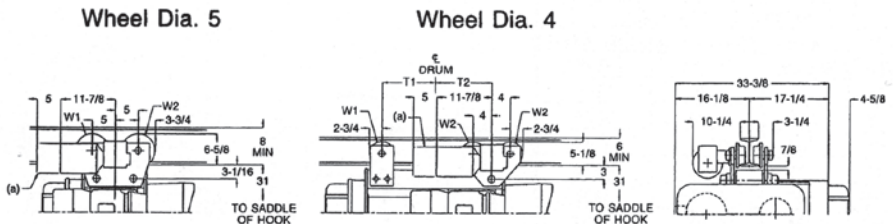


PLAIN OR GEARED TROLLEY			
Lift (Ft)	Weight*	Wheel Load in Lbs. (Max)	
		PR.W1	PR.W2
20	738	5488	4319
36	752	4053	3150
54	805	3767	3209
86	897	3607	3262

* Add 40 Lbs. for Geared Trolley.



MOTORIZED TROLLEY			
Lift (Ft)	Weight	Wheel Load in Lbs. (Max)	
		PR.W1	PR.W2
20	806	5505	4336
36	820	4053	3184
54	873	3767	3243
86	965	3607	3296



800-967-7333 www.accomhs.com



Equipment described herein is not designed for, and should not be used for, lifting, supporting, or transporting humans. Modifications to upgrade, rerate, or otherwise alter the hoist or crane equipment shall be authorized only by the original manufacturer or qualified professional engineer. Failure to comply with any one of the limitations noted herein may result in serious bodily injury.

© 2012 ACCO Material Handling Solutions

WRIGHT®

Work-Rated®

THE NEW CENTURY SERIES®

Electric Wire Rope Hoists

Issued 06-01-12

Monorail Hoist
Series 33

2 Part Single Reeved
1/2 Diameter Rope

3 TON

For Pricing See Page 3m

MODEL NUMBER	Lift (Ft)	Lift Speed (FPM)	HP	B	C	Hook Travel		T1	T2	Drum
						L	U			
C3W03S020-30*2S0	20	30	7-1/2	18-7/16	18-1/4	1-11/16	3-3/4	-	-	1
C3W03S043-30*2S0	43	30	7-1/2	21-1/2	23-1/4	2-1/16	8-3/8	9-1/4	9-3/4	2
C3W03S066-30*2S0	66	30	7-1/2	27	28-3/4	2-1/16	13-7/8	14-3/4	15-1/4	3
C3W03S093-30*2S0	93	30	7-1/2	33-1/2	35-1/4	2-1/16	20-3/8	19-1/4	21-3/4	4
C3W03S135-30*2S0	135	30	7-1/2	43-1/2	45-1/4	2-1/16	30-3/8	27-1/4	31-3/4	5
C3W03S188-30*2S0	188	30	7-1/2	56	57-3/4	2-1/16	42-7/8	35-3/4	44-1/4	6
C3W03S020-44*2S0	20	44	10	18-7/16	18-1/4	1-11/16	3-3/4	-	-	1
C3W03S043-44*2S0	43	44	10	21-1/2	23-1/4	2-1/16	8-3/8	9-1/4	9-3/4	2
C3W03S066-44*2S0	66	44	10	27	28-3/4	2-1/16	13-7/8	14-3/4	15-1/4	3
C3W03S093-44*2S0	93	44	10	33-1/2	35-1/4	2-1/16	20-3/8	19-1/4	21-3/4	4
C3W03S135-44*2S0	135	44	10	43-1/2	45-1/4	2-1/16	30-3/8	27-1/4	31-3/4	5
C3W03S188-44*2S0	188	44	10	56	57-3/4	2-1/16	42-7/8	35-3/4	44-1/4	6

*To complete Model Number insert L, P, G or M in place of asterisk.

All dimensions shown in inches unless otherwise specified. Dimensions which change with beam size are for minimum beam shown.

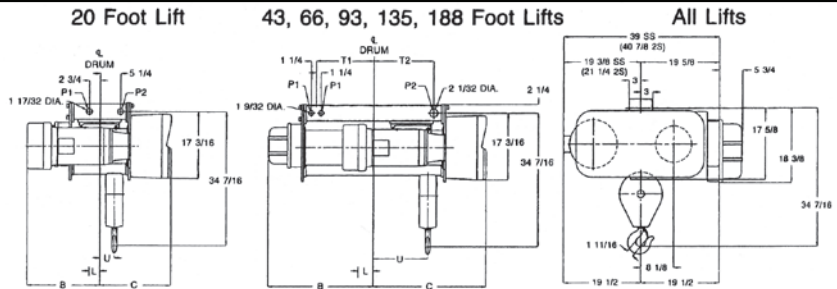
Work-Rated trolleys are adjustable for Standard I beam or WF beam, 4 inch to 11 inch flange width. Beam size must be specified. Trolleys are also available for 3.25 or 3.33" patented track beams. See **Accessories Section** for applications for applications with flange width exceeding 11 inches.

All reference to beam flange widths are for clearance purposes only and do not imply that lower flange of beam will support hoist with load.

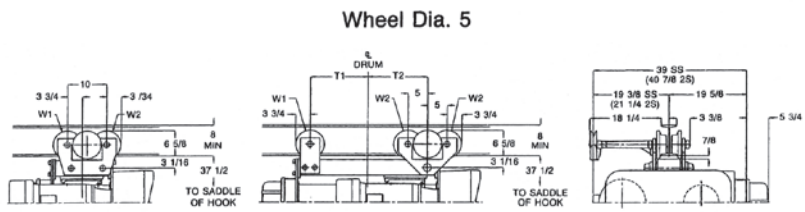
TROLLEY DATA: SPEED 50 FPM 100 FPM
HP 1/2 1/2

All two speed trolley motors are 1800/600 RPM.
(a) Trolley Brake is available as optional equipment

LUG MOUNTED			
Lift (Ft)	Weight	Pin Load in Lbs. (Max)	
		P1	P2
20	905	5418	5565
43	996	1962	6349
66	1097	1878	6530
93	1214	1925	6640
135	1396	1957	6775
188	1625	2049	6897

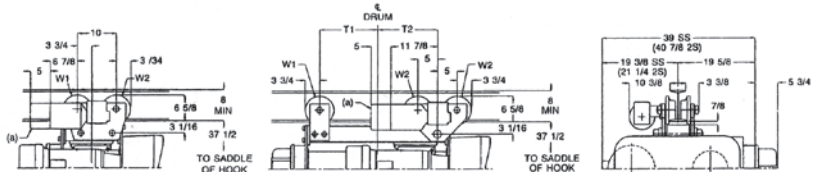


PLAIN OR GEARED TROLLEY			
Lift (Ft)	Weight*	Wheel Load in Lbs. (Max)	
		PR.W1	PR.W2
20	1065	5498	5645
43	1187	3982	3241
66	1288	3814	3332
93	1405	3908	3387
135	1587	3972	3454
188	1816	4156	3515



* Add 40 Lbs. for Geared Trolley.

MOTORIZED TROLLEY			
Lift (Ft)	Weight	Wheel Load in Lbs. (Max)	
		PR.W1	PR.W2
20	1133	5532	5679
43	1255	3982	3275
66	1356	3814	3366
93	1473	3908	3421
135	1655	3972	3488
188	1884	4156	3549



Acco Material Handling Solutions 800-967-7333 www.accomhs.com

WARNING

Equipment described herein is not designed for, and should not be used for, lifting, supporting, or transporting humans. Modifications to upgrade, rerate, or otherwise alter the hoist or crane equipment shall be authorized only by the original manufacturer or qualified professional engineer. Failure to comply with any one of the limitations noted herein may result in serious bodily injury.

© 2012 ACCO Material Handling Solutions

WRIGHT®
Work-Rated®
THE NEW CENTURY SERIES®

Monorail Hoist
Series 33

5 TON

2 Part Single Reeved
 1/2 Diameter Rope

Electric Wire Rope Hoists

Issued 06-01-12

For Pricing See Page 4m

MODEL NUMBER	Lift (Ft)	Lift Speed (FPM)	HP	B	C	Hook Travel		T1	T2	Drum
						L	U			
C3W05S020-22*2S0	20	22	7-1/2	18-7/16	18-1/4	1-11/16	3-3/4	-	-	1
C3W05S043-22*2S0	43	22	7-1/2	21-1/2	23-1/4	2-1/16	8-3/8	9-1/4	9-3/4	2
C3W05S066-22*2S0	66	22	7-1/2	27	28-3/4	2-1/16	13-7/8	14-3/4	15-1/4	3
C3W05S093-22*2S0	93	22	7-1/2	33-1/2	35-1/4	2-1/16	20-3/8	19-1/4	21-3/4	4
C3W05S135-22*2S0	135	22	7-1/2	43-1/2	45-1/4	2-1/16	30-3/8	27-1/4	31-3/4	5
C3W05S188-22*2S0	188	22	7-1/2	56	57-3/4	2-1/16	42-7/8	35-3/4	44-1/4	6
C3W05S020-30*2S0	20	30	10	18-7/16	18-1/4	1-11/16	3-3/4	-	-	1
C3W05S043-30*2S0	43	30	10	21-1/2	23-1/4	2-1/16	8-3/8	9-1/4	9-3/4	2
C3W05S066-30*2S0	66	30	10	27	28-3/4	2-1/16	13-7/8	14-3/4	15-1/4	3
C3W05S093-30*2S0	93	30	10	33-1/2	35-1/4	2-1/16	20-3/8	19-1/4	21-3/4	4
C3W05S135-30*2S0	135	30	10	43-1/2	45-1/4	2-1/16	30-3/8	27-1/4	31-3/4	5
C3W05S188-30*2S0	188	30	10	56	57-3/4	2-1/16	42-7/8	35-3/4	44-1/4	6

*To complete Model Number insert L, P, G or M in place of asterisk.

All dimensions shown in inches unless otherwise specified. Dimensions which change with beam size are for minimum beam shown.

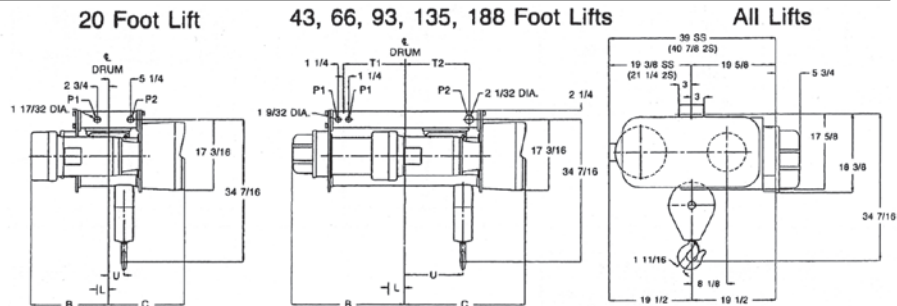
Work-Rated trolleys are adjustable for Standard I beam or WF beam, 4 inch to 11 inch flange width. Beam size must be specified. Trolleys are also available for 3.25 or 3.33" patented track beams. See **Accessories Section** for applications with flange width exceeding 11 inches.

All reference to beam flange widths are for clearance purposes only and do not imply that lower flange of beam will support hoist with load.

TROLLEY DATA: SPEED 50 FPM 100 FPM
 HP 1/2 1/2

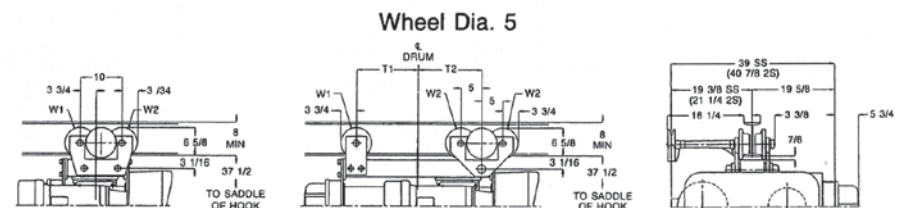
All two speed trolley motors are 1800/600 RPM.
 (a) Trolley Brake is available as optional equipment

LUG MOUNTED			
Lift (Ft)	Weight	Pin Load in Lbs. (Max)	
		P1	P2
20	905	8887	8815
43	996	3199	10059
66	1097	3032	10347
93	1214	3083	10506
135	1396	3100	10682
188	1625	3207	10828

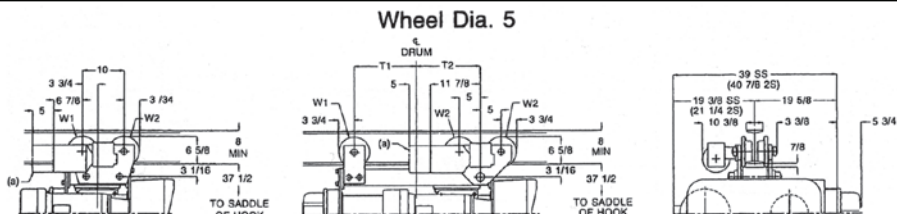


PLAIN OR GEARED TROLLEY			
Lift (Ft)	Weight*	Wheel Load in Lbs. (Max)	
		PR.W1	PR.W2
20	1065	8280	8222
43	1187	6456	5096
66	1288	6122	5240
93	1405	6224	5320
135	1587	6258	5408
188	1816	6472	5481

* Add 40 Lbs. for Geared Trolley.



MOTORIZED TROLLEY			
Lift (Ft)	Weight	Wheel Load in Lbs. (Max)	
		PR.W1	PR.W2
20	1133	8314	8256
43	1255	6456	5130
66	1356	6122	5274
93	1473	6224	5354
135	1655	6258	5442
188	1884	6472	5515



ACCO Acco Material Handling Solutions 800-967-7333 www.accomhs.com



Equipment described herein is not designed for, and should not be used for, lifting, supporting, or transporting humans. Modifications to upgrade, rerate, or otherwise alter the hoist or crane equipment shall be authorized only by the original manufacturer or qualified professional engineer. Failure to comply with any one of the limitations noted herein may result in serious bodily injury.

© 2012 ACCO Material Handling Solutions

WRIGHT®

Work-Rated®

THE NEW CENTURY SERIES®

Electric Wire Rope Hoists

Issued 06-01-12

Monorail Hoist Series 34

2 Part Single Reeved
5/8 Diameter Rope

5 TON

For Pricing See Page 4m

MODEL NUMBER	Lift (Ft)	Lift Speed (FPM)	HP	B	C	Hook Travel		Lug Mounted		Trolley Mounted		Drum
						L	U	T1	T2	T1	T2	
C4W05S021-44*2S0	21	44	15	18-9/16	22-7/8	5/8	4-9/16	3-7/8	3-7/8	10-3/4	10-1/4	1
C4W05S053-44*2S0	53	44	15	24-1/2	30-3/8	5/8	12-1/16	11-3/8	11-3/8	18-1/4	17-3/4	2
C4W05S071-44*2S0	71	44	15	29	34-7/8	5/8	16-9/16	13-3/8	16-5/8	13-3/8	16-5/8	3
C4W05S097-44*2S0	97	44	15	35	40-7/8	5/8	22-9/16	19-3/8	22-5/8	19-3/8	22-5/8	4
C4W05S143-44*2S0	143	44	15	46	51-7/8	5/8	33-9/16	20-3/8	33-5/8	20-3/8	33-5/8	5
C4W05S206-44*2S0	206	44	15	61	66-7/8	5/8	48-9/16	35-3/8	48-5/8	35-3/8	48-5/8	6

*To complete Model Number insert L, P, G or M in place of asterisk.

All dimensions shown in inches unless otherwise specified. Dimensions which change with beam size are for minimum beam shown.

Work-Rated trolleys are adjustable for Standard I beam or WF beam, 4 inch to 11 inch flange width. Beam size must be specified. Trolleys are also available for 3.25 or 3.33" patented track beams. See **Accessories Section** for applications with flange width exceeding 11 inches.

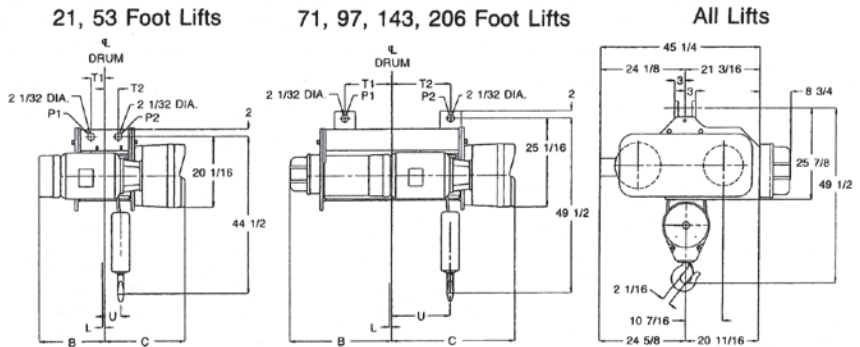
All reference to beam flange widths are for clearance purposes only and do not imply that lower flange of beam will support hoist with load.

TROLLEY DATA: SPEED 50 FPM 100 FPM
 HP 1/2 1

All two speed trolley motors are 1800/600 RPM.

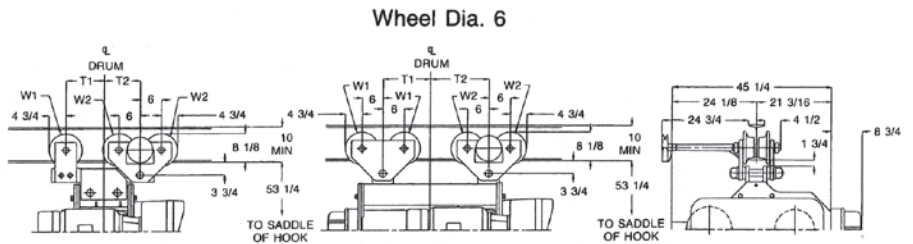
(a) Trolley Brake is available as optional equipment

LUG MOUNTED			
Lift (Ft)	Weight	Pin Load in Lbs. (Max)	
		P1	P2
21	1640	5593	13097
53	1830	5508	11907
71	1980	6187	11538
97	2120	5883	11682
143	2400	7070	11595
206	2780	6861	11784

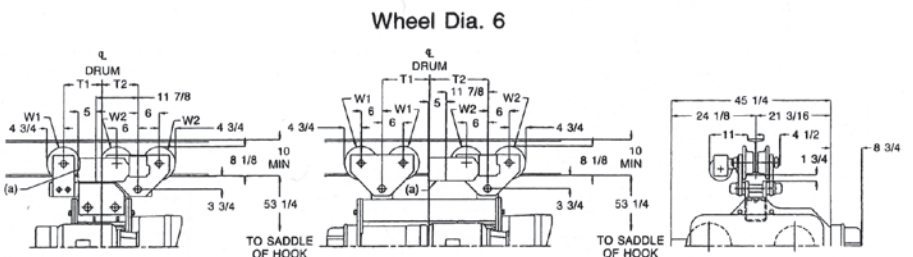


PLAIN OR GEARED TROLLEY			
Lift (Ft)	Weight*	Wheel Load in Lbs. (Max)	
		PR.W1	PR.W2
21	2077	6508	3895
53	2331	5300	4673
71	2460	3214	5889
97	2600	3062	5961
143	2880	3655	5918
206	3260	3551	6012

* Add 40 Lbs. for Geared Trolley.



MOTORIZED TROLLEY			
Lift (Ft)	Weight	Wheel Load in Lbs. (Max)	
		PR.W1	PR.W2
21	2145	6508	3929
53	2400	5300	4707
71	2528	3214	5923
97	2668	3062	5995
143	2948	3655	5952
206	3328	3551	6046



Acco Material Handling Solutions

800-967-7333

www.accomhs.com



Equipment described herein is not designed for, and should not be used for, lifting, supporting, or transporting humans. Modifications to upgrade, rerate, or otherwise alter the hoist or crane equipment shall be authorized only by the original manufacturer or qualified professional engineer. Failure to comply with any one of the limitations noted herein may result in serious bodily injury.

© 2012 ACCO Material Handling Solutions

WRIGHT®

Work-Rated®

THE NEW CENTURY SERIES®

Monorail Hoist
Series 33

4 Part Single Reeved
1/2 Diameter Rope

7 1/2 TON

Electric Wire Rope Hoists

Issued 06-01-12

For Pricing See Page 5m

MODEL NUMBER	Lift (Ft)	Lift Speed (FPM)	HP	B	C	Hook Travel		T1	T2	Drum
						L	U			
C3W07S024-15*4S0	24	15	7-1/2	27	28-3/4	5	10-1/2	14-3/8	15-1/4	3
C3W07S038-15*4S0	38	15	7-1/2	33-1/2	35-1/4	8-1/2	17	18-7/8	21-3/4	4
C3W07S059-15*4S0	59	15	7-1/2	43-1/2	45-1/4	13-1/2	27	24-7/8	31-3/4	5
C3W07S085-15*4S0	85	15	7-1/2	56	57-3/4	19-1/2	39-1/2	29-3/8	44-1/4	6
C3W07S024-22*4S0	24	22	10	27	28-3/4	5	10-1/2	14-3/8	15-1/4	3
C3W07S038-22*4S0	38	22	10	33-1/2	35-1/4	8-1/2	17	18-7/8	21-3/4	4
C3W07S059-22*4S0	59	22	10	43-1/2	45-1/4	13-1/2	27	24-7/8	31-3/4	5
C3W07S085-22*4S0	85	22	10	56	57-3/4	19-1/2	39-1/2	29-3/8	44-1/4	6

*To complete Model Number insert L, P, G or M in place of asterisk.

All dimensions shown in inches unless otherwise specified. Dimensions which change with beam size are for minimum beam shown.

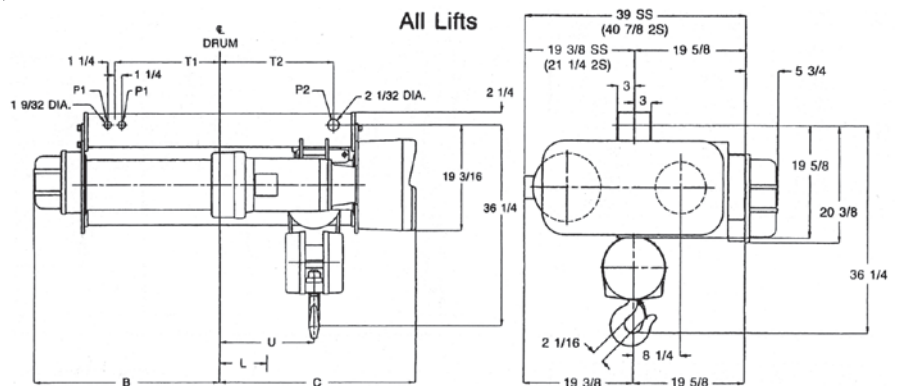
Work-Rated trolleys are adjustable for Standard I beam or WF beam, 4 inch to 11 inch flange width. Beam size must be specified. Trolleys are also available for 3.25 or 3.33" patented track beams. See **Accessories Section** for applications with flange width exceeding 11 inches.

All reference to beam flange widths are for clearance purposes only and do not imply that lower flange of beam will support hoist with load.

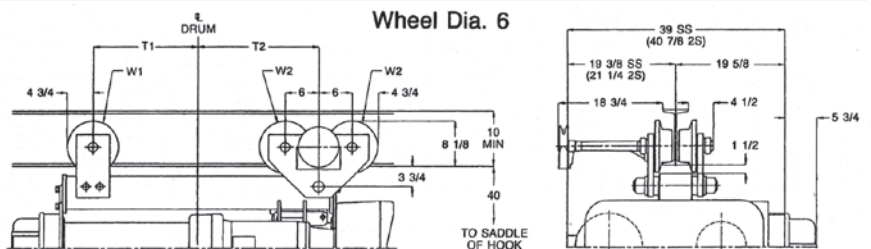
TROLLEY DATA: SPEED 50 FPM 100 FPM
HP 1/2 1

All two speed trolley motors are 1800/600 RPM.
(a) Trolley Brake is available as optional equipment

LUG MOUNTED			
Lift (Ft)	Weight	Pin Load in Lbs. (Max)	
		P1	P2
24	1163	2758	13432
38	1286	2651	14123
59	1478	2712	14681
85	1715	2883	15024

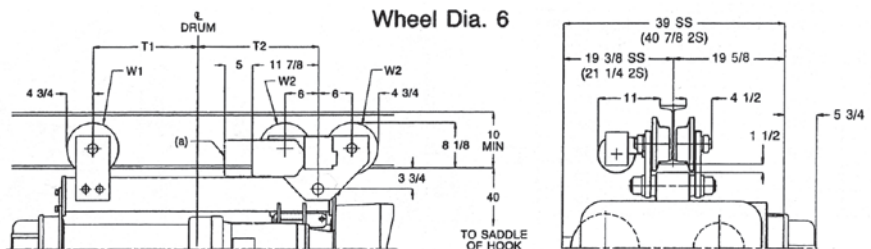


PLAIN OR GEARED TROLLEY			
Lift (Ft)	Weight*	Wheel Load in Lbs. (Max)	
		PR.W1	PR.W2
24	1512	5622	6838
38	1635	5408	7183
59	1827	5532	7462
85	2064	5872	7634



* Add 40 Lbs. for Geared Trolley.

MOTORIZED TROLLEY			
Lift (Ft)	Weight	Wheel Load in Lbs. (Max)	
		PR.W1	PR.W2
24	1580	5622	6872
38	1703	5408	7217
59	1895	5532	7496
85	2132	5872	7668



ACCO Acco Material Handling Solutions

800-967-7333 www.accomhs.com

WARNING

Equipment described herein is not designed for, and should not be used for, lifting, supporting, or transporting humans. Modifications to upgrade, rerate, or otherwise alter the hoist or crane equipment shall be authorized only by the original manufacturer or qualified professional engineer. Failure to comply with any one of the limitations noted herein may result in serious bodily injury.

© 2012 ACCO Material Handling Solutions

WRIGHT® Work-Rated®

Monorail Hoist Series 34

7 1/2 TON

2 Part Single Reeved
5/8 Diameter Rope

THE NEW CENTURY SERIES®

Electric Wire Rope Hoists

Issued 06-01-12

For Pricing See Page 5m

MODEL NUMBER	Lift (Ft)	Lift Speed (FPM)	HP	B	C	Hook Travel		Lug Mounted		Trolley Mounted		Drum
						L	U	T1	T2	T1	T2	
C4W07S021-30*2S0	21	30	15	18-9/16	22-7/8	5/8	4-9/16	3-7/8	3-7/8	10-3/4	10-1/4	1
C4W07S053-30*2S0	53	30	15	24-1/2	30-3/8	5/8	12-1/16	11-3/8	11-3/8	18-1/4	17-3/4	2
C4W07S071-30*2S0	71	30	15	29	34-7/8	5/8	16-9/16	13-3/8	16-5/8	13-3/8	16-5/8	3
C4W07S097-30*2S0	97	30	15	35	40-7/8	5/8	22-9/16	19-3/8	22-5/8	19-3/8	22-5/8	4
C4W07S143-30*2S0	143	30	15	46	51-7/8	5/8	33-9/16	20-3/8	33-5/8	20-3/8	33-5/8	5
C4W07S206-30*2S0	206	30	15	61	66-7/8	5/8	48-9/16	35-3/8	48-5/8	35-3/8	48-5/8	6

*To complete Model Number insert L, P, G or M in place of asterisk.

All dimensions shown in inches unless otherwise specified. Dimensions which change with beam size are for minimum beam shown.

Work-Rated trolleys are adjustable for Standard I beam or WF beam, 4 inch to 11 inch flange width. Beam size must be specified. Trolleys are also available for 3.25 or 3.33" patented track beams. See **Accessories Section** for applications with flange width exceeding 11 inches.

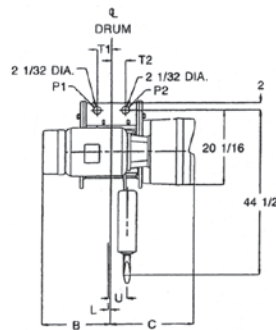
All reference to beam flange widths are for clearance purposes only and do not imply that lower flange of beam will support hoist with load.

TROLLEY DATA: SPEED 50 FPM 100 FPM
HP 1/2 1

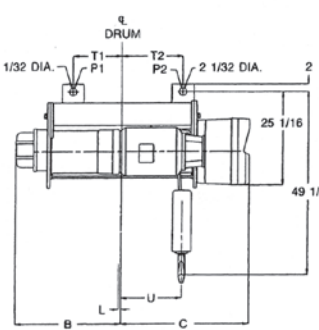
All two speed trolley motors are 1800/600 RPM.
(a) Trolley Brake is available as optional equipment

LUG MOUNTED			
Lift (Ft)	Weight	Pin Load in Lbs. (Max)	
		P1	P2
21	1640	8498	18702
53	1830	8143	17057
71	1980	9062	16528
97	2120	8603	16677
143	2400	10200	16590
206	2780	9791	16779

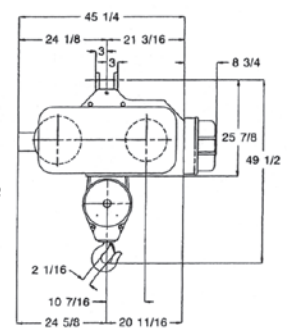
21, 53 Foot Lifts



71, 97, 143, 206 Foot Lifts

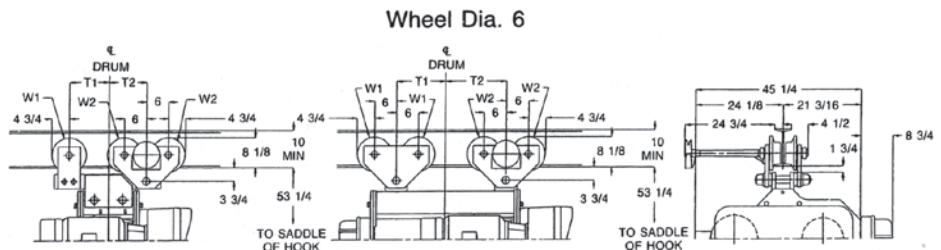


All Lifts

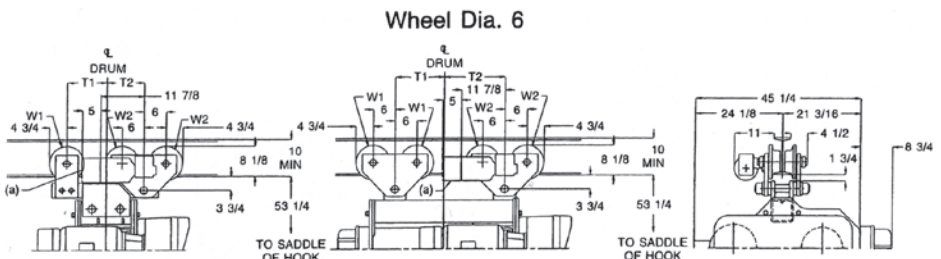


PLAIN OR GEARED TROLLEY			
Lift (Ft)	Weight*	Wheel Load in Lbs. (Max)	
		PR.W1	PR.W2
21	2077	9429	5490
53	2331	7570	6615
71	2460	4531	8264
97	2600	4422	8459
143	2880	5220	8415
206	3260	5016	8510

* Add 40 Lbs. for Geared Trolley.



MOTORIZED TROLLEY			
Lift (Ft)	Weight	Wheel Load in Lbs. (Max)	
		PR.W1	PR.W2
21	2145	6159	5524
53	2400	4100	6649
71	2528	4531	8298
97	2668	4422	8493
143	2948	5220	8449
206	3328	5016	8544



ACCO Acco Material Handling Solutions 800-967-7333 www.accomhs.com

WARNING

Equipment described herein is not designed for, and should not be used for, lifting, supporting, or transporting humans. Modifications to upgrade, rerate, or otherwise alter the hoist or crane equipment shall be authorized only by the original manufacturer or qualified professional engineer. Failure to comply with any one of the limitations noted herein may result in serious bodily injury.

© 2012 ACCO Material Handling Solutions

WRIGHT®
Work-Rated®
THE NEW CENTURY SERIES®

Monorail Hoist
Series 35

2 Part Single Reeved
 3/4 Diameter Rope

7 1/2 TON

Electric Wire Rope Hoists
 Issued 06-01-12

For Pricing See Page 5m

MODEL NUMBER	Lift (Ft)	Lift Speed (FPM)	HP	B	C	Hook Travel		Lug Mounted		Trolley Mounted		Drum
						L	U	T1	T2	T1	T2	
C5W07S020-44*2S0	20	44	20	24-1/16	24-1/8	7/16	4-7/16	3-5/8	3-5/8	18-1/4	10	1
C5W07S051-44*2S0	51	44	20	24-7/8	31-5/8	7/16	11-15/16	11-1/8	11-1/8	31-1/2	17-1/2	2
C5W07S070-44*2S0	70	44	20	29-3/8	36-1/8	7/16	16-7/16	13-3/8	16-5/8	13-3/8	16-5/8	3
C5W07S095-44*2S0	95	44	20	35-3/8	42-1/8	7/16	22-7/16	19-3/8	22-5/8	19-3/8	22-5/8	4
C5W07S133-44*2S0	133	44	20	44-3/8	51-1/8	7/16	31-7/16	18-3/8	31-5/8	18-3/8	31-5/8	5
C5W07S185-44*2S0	185	44	20	56-7/8	63-5/8	7/16	43-15/16	30-7/8	44-1/8	30-7/8	44-1/8	6

*To complete Model Number insert L, P, G or M in place of asterick.

All dimensions shown in inches unless otherwise specified. Dimensions which change with beam size are for minimum beam shown.

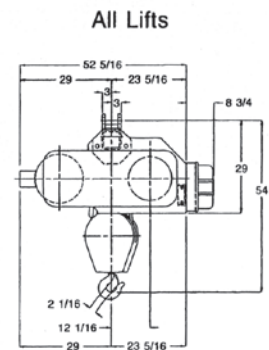
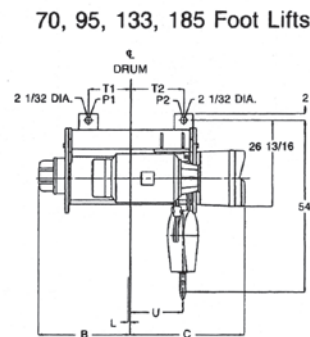
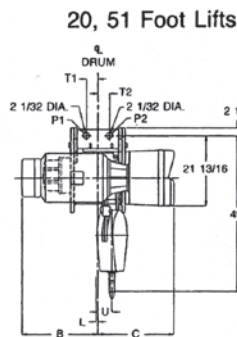
Work-Rated trolleys are adjustable for Standard I beam or WF beam, 4 inch to 11 inch flange width. Beam size must be specified. Trolleys are also available for 3.25 or 3.33" patented track beams. See **Accessories Section** for applications with flange width exceeding 11 inches.

All reference to beam flange widths are for clearance purposes only and do not imply that lower flange of beam will support hoist with load.

TROLLEY DATA: SPEED 50 FPM 100 FPM
 HP 1/2 1

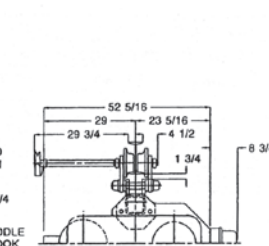
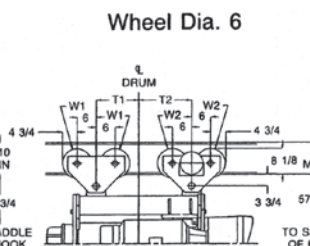
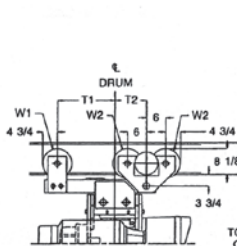
All two speed trolley motors are 1800/600 RPM.
 (a) Trolley Brake is available as optional equipment

LUG MOUNTED			
Lift (Ft)	Weight	Pin Load in Lbs. (Max)	
		P1	P2
20	2185	8355	18955
51	2450	8197	17593
70	2844	9427	16862
95	3159	9353	16981
133	3624	11335	16859
185	4290	11037	17118

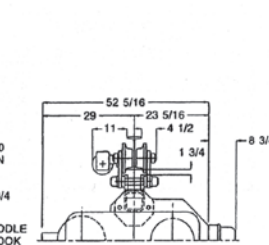
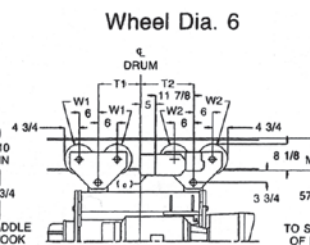
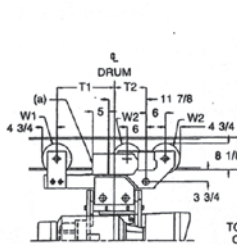


PLAIN OR GEARED TROLLEY			
Lift (Ft)	Weight*	Wheel Load in Lbs. (Max)	
		PR.W1	PR.W2
20	2650	6173	7040
51	2995	6185	7798
70	3352	4841	8558
95	3667	4803	8618
133	4132	5795	8556
185	4798	5645	8686

* Add 40 Lbs. for Geared Trolley.



MOTORIZED TROLLEY			
Lift (Ft)	Weight	Wheel Load in Lbs. (Max)	
		PR.W1	PR.W2
20	2750	6173	7090
51	3095	6185	7848
70	3452	4841	9008
95	3767	4803	8668
133	4232	5795	8606
185	4898	5645	8736



800-967-7333 www.accomhs.com



Equipment described herein is not designed for, and should not be used for, lifting, supporting, or transporting humans. Modifications to upgrade, rerate, or otherwise alter the hoist or crane equipment shall be authorized only by the original manufacturer or qualified professional engineer. Failure to comply with any one of the limitations noted herein may result in serious bodily injury.

© 2012 ACCO Material Handling Solutions

WRIGHT®
Work-Rated®

Monorail Hoist
Series 33

10 TON

THE NEW CENTURY SERIES®

4 Part Single Reeved
1/2 Diameter Rope

Electric Wire Rope Hoists

Issued 06-01-12

For Pricing See Page 6m

MODEL NUMBER	Lift (Ft)	Lift Speed (FPM)	HP	B	C	Hook Travel		T1	T2	Drum
						L	U			
C3W10S024-15*4S0	24	15	10	27	28-3/4	5	10-1/2	14-3/8	15-1/4	3
C3W10S038-15*4S0	38	15	10	33-1/2	35-1/4	8-1/2	17	18-7/8	21-3/4	4
C3W10S059-15*4S0	59	15	10	43-1/2	45-1/4	13-1/2	27	24-7/8	31-3/4	5
C3W10S085-15*4S0	85	15	10	56	57-3/4	19-1/2	39-1/2	29-3/8	44-1/4	6

*To complete Model Number insert L, P, G or M in place of asterick.

All dimensions shown in inches unless otherwise specified. Dimensions which change with beam size are for minimum beam shown.

Work-Rated trolleys are adjustable for Standard I beam or WF beam, 4 inch to 11 inch flange width. Beam size must be specified. Trolleys are also available for 3.25 or 3.33" patented track beams. See **Accessories Section** for applications with flange width exceeding 11 inches.

All reference to beam flange widths are for clearance purposes only and do not imply that lower flange of beam will support hoist with load.

TROLLEY DATA:

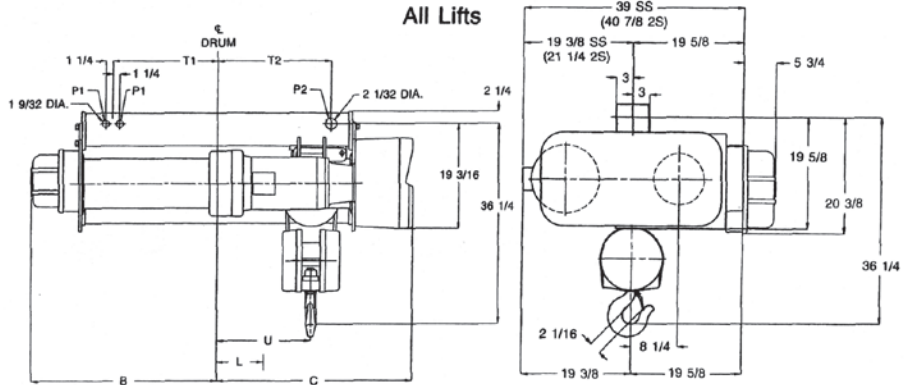
SPEED	50 FPM	100 FPM
HP	1/2	1

All two speed trolley motors are 1800/600 RPM.

(a) Trolley Brake is available as optional equipment

LUG MOUNTED

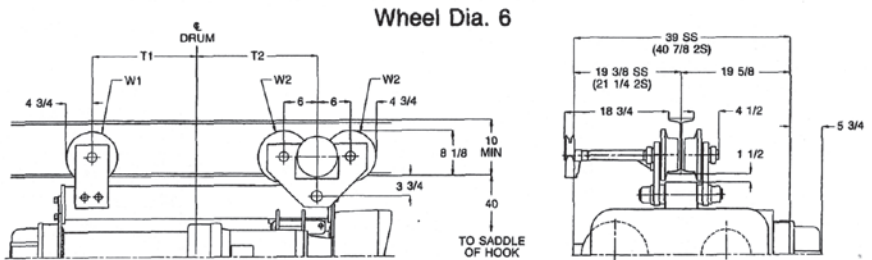
Lift (Ft)	Weight	Pin Load in Lbs. (Max)	
		P1	P2
24	1163	3623	17630
38	1286	3466	18539
59	1478	3526	19261
85	1715	3723	19702



PLAIN OR GEARED TROLLEY

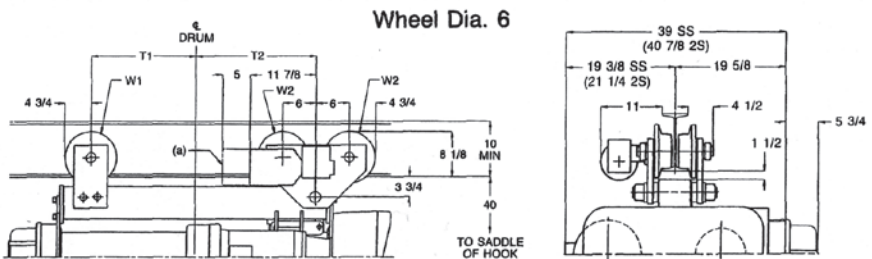
Lift (Ft)	Weight*	Wheel Load in Lbs. (Max)	
		PR.W1	PR.W2
24	1512	7352	8937
38	1635	7038	9391
59	1827	7158	9752
85	2064	7552	9973

* Add 40 Lbs. for Geared Trolley.



MOTORIZED TROLLEY

Lift (Ft)	Weight	Wheel Load in Lbs. (Max)	
		PR.W1	PR.W2
24	1580	7352	8971
38	1703	7038	9425
59	1895	7158	9786
85	2132	7552	10007



ACCO Acco Material Handling Solutions 800-967-7333 www.accomhs.com



Equipment described herein is not designed for, and should not be used for, lifting, supporting, or transporting humans. Modifications to upgrade, rerate, or otherwise alter the hoist or crane equipment shall be authorized only by the original manufacturer or qualified professional engineer. Failure to comply with any one of the limitations noted herein may result in serious bodily injury.
© 2012 ACCO Material Handling Solutions

WRIGHT®

Work-Rated®

THE NEW CENTURY SERIES®

Electric Wire Rope Hoists

Issued 06-03-13

Monorail Hoist Series 34

4 Part Single Reeved
5/8 Diameter Rope

10 TON

For Pricing See Page 6m

MODEL NUMBER	Lift (Ft)	Lift Speed (FPM)	HP	B	C	Hook Travel		Lug Mounted		Trolley Mounted		Drum
						L	U	T1	T2	T1	T2	
C4W10S025-22*4S0	25	22	15	29	34-7/8	5-15/16	11-5/8	3/8	15-3/8	6-3/8	26-5/8	3
C4W10S038-22*4S0	38	22	15	35	40-7/8	8-15/16	17-5/8	3/8	21-3/8	6-3/8	32-5/8	4
C4W10S061-22*4S0	61	22	15	46	51-7/8	14-7/16	28-5/8	32-7/8	28-5/8	32-7/8	28-5/8	5
C4W10S092-22*4S0	92	22	15	61	66-7/8	21-15/16	43-5/8	47-7/8	43-5/8	47-7/8	43-5/8	6

*To complete Model Number insert L, P, G or M in place of asterisk.

All dimensions shown in inches unless otherwise specified. Dimensions which change with beam size are for minimum beam shown.

Work-Rated trolleys are adjustable for Standard I beam or WF beam, 4 inch to 11 inch flange width. Beam size must be specified. Trolleys are also available for 3.25 or 3.33" patented track beams. See **Accessories Section** for applications with flange width exceeding 11 inches.

All reference to beam flange widths are for clearance purposes only and do not imply that lower flange of beam will support hoist with load.

25, 38 Foot Lifts

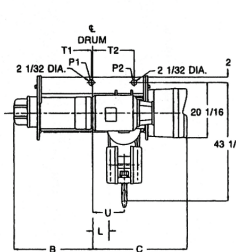
TROLLEY DATA:	SPEED	50 FPM	100 FPM
	HP	1/2	1

All two speed trolley motors are 1800/600 RPM.
(a) Trolley Brake is available as optional equipment

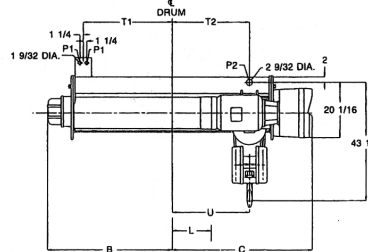
61, 92 Foot Lifts

TROLLEY DATA:	SPEED	50 FPM	100 FPM
	HP	1/2 (2 REQUIRED)	1/2 (2 REQUIRED)

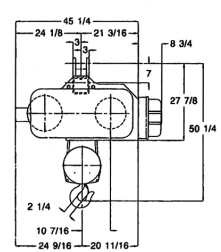
25, 38 Foot Lifts



61, 92 Foot Lifts



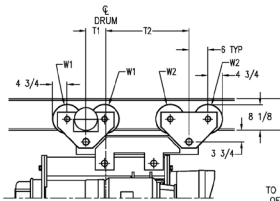
All Lifts



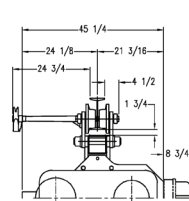
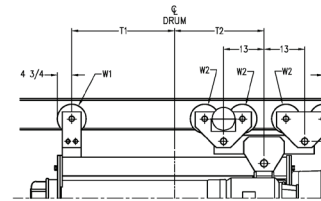
LUG MOUNTED			
Lift (Ft)	Weight	Pin Load in Lbs. (Max)	
		P1	P2
25	2040	12722	16688
38	2190	12422	17918
61	2500	3238	21994
92	2870	2766	22129

PLAIN OR GEARED TROLLEY			
Lift (Ft)	Weight*	Wheel Load in Lbs. (Max)	
		PR.W1	PR.W2
25	2728	6981	6141
38	2909	6851	6861
61	3223	6576	5654
92	3593	5631	5688

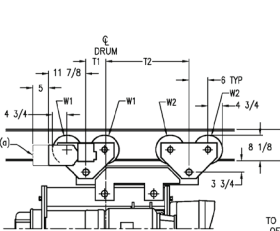
* Add 40 Lbs. for Geared Trolley.



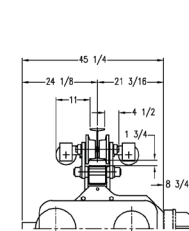
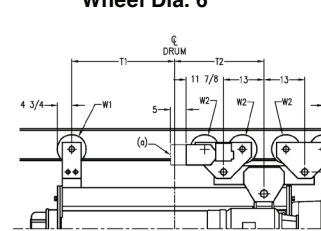
Wheel Dia. 6



MOTORIZED TROLLEY				
Lift (Ft)	Weight	Wheel Load in Lbs. (Max)		
		PR.W1	PR.W2	PR.W3
25	2796	7015	6141	—
38	2977	6885	6861	—
61	3291	6576	5688	5654
92	3661	5631	5722	5688



Wheel Dia. 6



800-967-7333 www.accomhs.com



Equipment described herein is not designed for, and should not be used for, lifting, supporting, or transporting humans. Modifications to upgrade, rerate, or otherwise alter the hoist or crane equipment shall be authorized only by the original manufacturer or qualified professional engineer. Failure to comply with any one of the limitations noted herein may result in serious bodily injury.

© 2013 ACCO Material Handling Solutions

WRIGHT®
Work-Rated®

Monorail Hoist
Series 35

10 TON

2 Part Single Reeved
3/4 Diameter Rope

THE NEW CENTURY SERIES®

Electric Wire Rope Hoists

Issued 06-01-12

For Pricing See Page 6m

MODEL NUMBER	Lift (Ft)	Lift Speed (FPM)	HP	B	C	Hook Travel		Lug Mounted		Trolley Mounted		Drum
						L	U	T1	T2	T1	T2	
C5W10S020-30*2S0	20	30	20	24-1/16	24-1/8	7/16	4-7/16	3-5/8	3-5/8	18-1/4	10	1
C5W108051-30*2S0	51	30	20	24-7/8	31-5/8	7/16	11-15/16	11-1/8	11-1/8	31-1/2	17-1/2	2
C5W10S070-30*2S0	70	30	20	29-3/8	36-1/8	7/16	16-7/16	13-3/8	16-5/8	13-3/8	16-5/8	3
C5W10S095-30*2S0	95	30	20	35-3/8	42-1/8	7/16	22-7/16	19-3/8	22-5/8	19-3/8	22-5/8	4
C5W10S133-30*2S0	133	30	20	44-3/8	51-1/8	7/16	31-7/16	18-3/8	31-5/8	18-3/8	31-5/8	5
C5W10S185-30*2S0	185	30	20	56-7/8	63-5/8	7/16	43-15/16	30-7/18	44-1/8	30-7/18	44-1/8	6

*To complete Model Number insert L, P, G or M in place of asterisk.

All dimensions shown in inches unless otherwise specified. Dimensions which change with beam size are for minimum beam shown.

Work-Rated trolleys are adjustable for Standard I beam or WF beam, 4 inch to 11 inch flange width. Beam size must be specified. Trolleys are also available for 3.25 or 3.33" patented track beams. See **Accessories Section** for applications with flange width exceeding 11 inches.

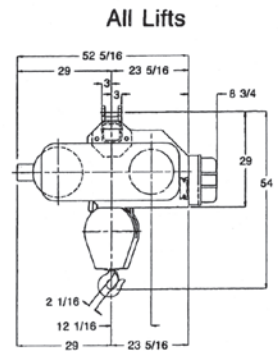
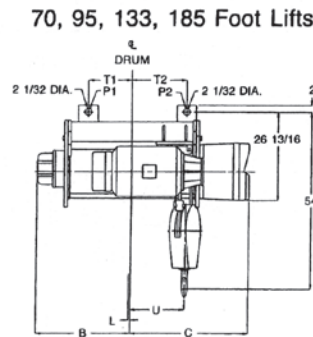
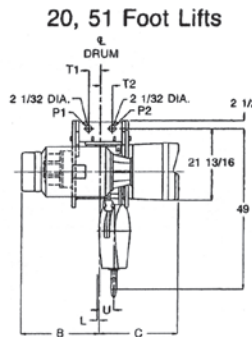
All reference to beam flange widths are for clearance purposes only and do not imply that lower flange of beam will support hoist with load.

TROLLEY DATA: SPEED 50 FPM 100 FPM
 HP 1/2 1

All two speed trolley motors are 1800/600 RPM.

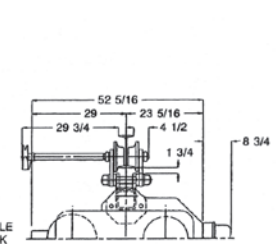
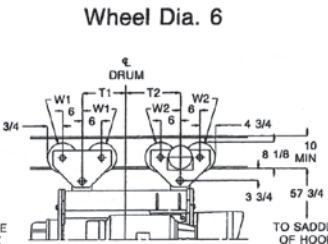
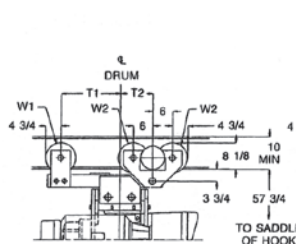
(a) Trolley Brake is available as optional equipment

LUG MOUNTED			
Lift (Ft)	Weight	Pin Load in Lbs. (Max)	
		P1	P2
20	2185	11170	24515
51	2450	10797	22773
70	2844	12272	21832
95	3159	12103	21956
133	3624	14545	21839
185	4290	14007	22103

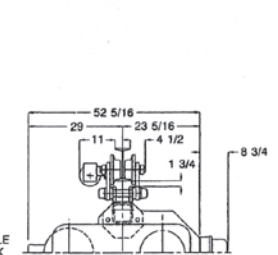
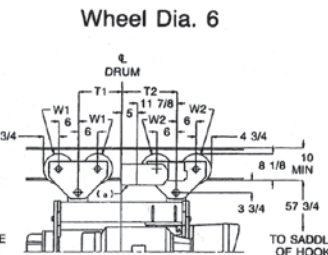
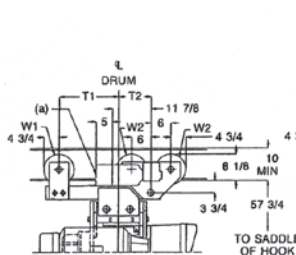


PLAIN OR GEARED TROLLEY			
Lift (Ft)	Weight*	Wheel Load in Lbs. (Max)	
		PR.W1	PR.W2
20	2650	8021	9050
51	2995	8015	10014
70	3352	6263	11043
95	3667	6178	11105
133	4132	7399	11046
185	4798	7130	11179

* Add 40 Lbs. for Geared Trolley.



MOTORIZED TROLLEY			
Lift (Ft)	Weight	Wheel Load in Lbs. (Max)	
		PR.W1	PR.W2
20	2750	8021	9100
51	3095	8015	10064
70	3452	6263	11093
95	3767	6178	11155
133	4232	7399	11096
185	4898	7130	11229



ACCO Acco Material Handling Solutions 800-967-7333 www.accomhs.com

WARNING

Equipment described herein is not designed for, and should not be used for, lifting, supporting, or transporting humans. Modifications to upgrade, rerate, or otherwise alter the hoist or crane equipment shall be authorized only by the original manufacturer or qualified professional engineer. Failure to comply with any one of the limitations noted herein may result in serious bodily injury.

© 2012 ACCO Material Handling Solutions

WRIGHT®

Work-Rated®

THE NEW CENTURY SERIES®

Electric Wire Rope Hoists

Issued 06-01-12

Monorail Hoist
Series 34

4 Part Single Reeved
5/8 Diameter Rope

15 TON

For Pricing See Page 7m

MODEL NUMBER	Lift (Ft)	Lift Speed (FPM)	HP	B	C	Hook Travel		Lug Mounted		Trolley Mounted		Drum
						L	U	T1	T2	T1	T2	
C4W15S025-15*4S0	25	15	15	29	34-7/8	5-15/16	11-5/8	3/8	15-3/8	6-3/8	26-5/8	3
C4W15S038-15*4S0	38	15	15	35	40-7/8	8-15/16	17-5/8	3/8	21-3/8	6-3/8	32-5/8	4
C4W15S061-15*4S0	61	15	15	46	51-7/8	14-7/16	28-5/8	32-7/8	28-5/8	32-7/8	28-5/8	5
C4W15S092-15*4S0	92	15	15	61	66-7/8	21-15/16	43-5/8	47-7/8	43-5/8	47-7/8	43-5/8	6

*To complete Model Number insert L, P, G or M in place of asterisk.

All dimensions shown in inches unless otherwise specified. Dimensions which change with beam size are for minimum beam shown.

Work-Rated trolleys are adjustable for Standard I beam or WF beam, 4 inch to 11 inch flange width. Beam size must be specified. Trolleys are also available for 3.25 or 3.33" patented track beams. See **Accessories Section** for applications with flange width exceeding 11 inches.

All reference to beam flange widths are for clearance purposes only and do not imply that lower flange of beam will support hoist with load.

25, 38 Foot Lifts

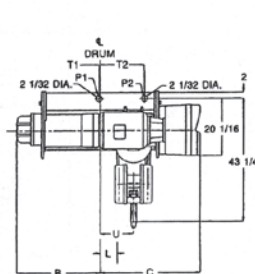
TROLLEY DATA: SPEED 50 FPM 100 FPM All two speed trolley motors are 1800/600 RPM.
HP 1 1 (2 REQUIRED) (a) Trolley Brake is available as optional equipment

61, 92 Foot Lifts

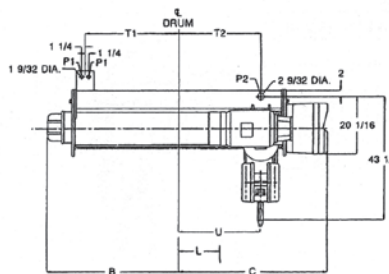
TROLLEY DATA: SPEED 50 FPM 100 FPM
HP 1/2 (2 REQUIRED) 1 (2 REQUIRED)

LUG MOUNTED			
Lift (Ft)	Weight	Pin Load in Lbs. (Max)	
		P1	P2
25	2040	18712	24308
38	2190	18142	26198
61	2500	4718	23064
92	2870	3951	24969

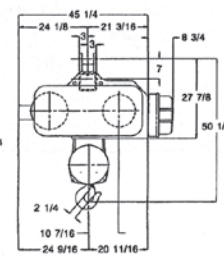
25, 38 Foot Lifts



61, 92 Foot Lifts



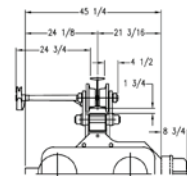
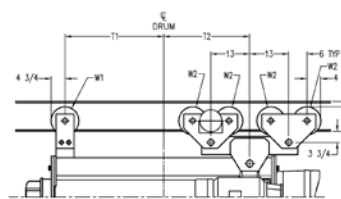
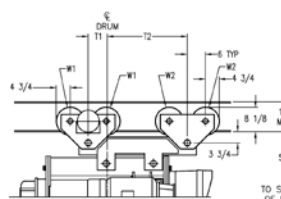
All Lifts



PLAIN OR GEARED TROLLEY			
Lift (Ft)	Weight*	Wheel Load in Lbs. (Max)	
		PR.W1	PR.W2
25	2728	10116	8866
38	2909	9886	9936
61	3223	9536	8154
92	3593	8001	8188

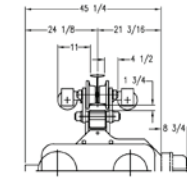
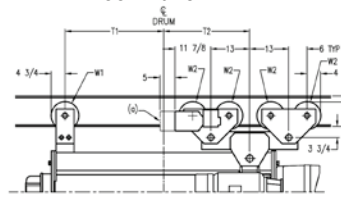
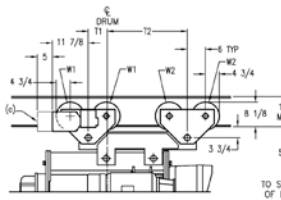
* Add 40 Lbs. for Geared Trolley.

Wheel Dia. 6



MOTORIZED TROLLEY				
Lift (Ft)	Weight	Wheel Load in Lbs. (Max)		
		PR.W1	PR.W2	PR.W3
25	2796	10150	8866	-
38	2977	9920	9936	-
61	3291	9536	8188	8154
92	3661	8001	8222	8188

Wheel Dia. 6



800-967-7333 www.accomhs.com



Equipment described herein is not designed for, and should not be used for, lifting, supporting, or transporting humans. Modifications to upgrade, rerate, or otherwise alter the hoist or crane equipment shall be authorized only by the original manufacturer or qualified professional engineer. Failure to comply with any one of the limitations noted herein may result in serious bodily injury.

© 2012 ACCO Material Handling Solutions

WRIGHT® Work-Rated®

THE NEW CENTURY SERIES®

Electric Wire Rope Hoists

Issued 06-01-12

Monorail Hoist Series 35

4 Part Single Reeved
3/4 Diameter Rope

15 TON

For Pricing See Page 7m

MODEL NUMBER	Lift (Ft)	Lift Speed (FPM)	HP	B	C	Hook Travel		Lug Mounted		Trolley Mounted		Drum
						L	U	T1	T2	T1	T2	
C5W15S021-22*4S0	21	22	20	29-3/8	36-1/8	4-13/16	10	5-5/8	15-1/8	11-5/8	26-3/8	3
C5W15S034-22*4S0	34	22	20	35-3/8	42-1/8	7-13/16	16	5-5/8	21-1/8	11-5/8	32-3/8	4
C5W15S053-22*4S0	53	22	20	44-3/8	51-1/8	12-5/16	25	26-5/8	26-5/8	26-5/8	26-5/8	5
C5W15S079-22*4S0	79	22	20	56-7/8	63-5/8	18-9/16	37-1/2	39-1/8	39-1/8	39-1/8	39-1/8	6

*To complete Model Number insert L, P, G or M in place of asterisk.

All dimensions shown in inches unless otherwise specified. Dimensions which change with beam size are for minimum beam shown.

Work-Rated trolleys are adjustable for Standard I beam or WF beam, 4 inch to 11 inch flange width. Beam size must be specified. Trolleys are also available for 3.25 or 3.33" patented track beams. See **Accessories Section** for applications with flange width exceeding 11 inches.

All reference to beam flange widths are for clearance purposes only and do not imply that lower flange of beam will support hoist with load.

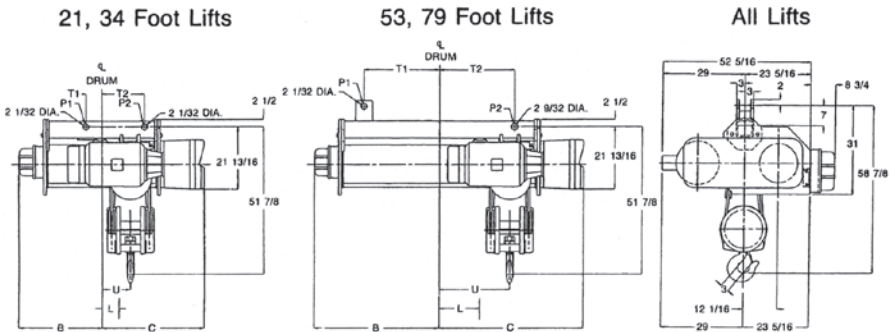
21, 34 Foot Lifts

TROLLEY DATA: SPEED 50 FPM 100 FPM All two speed trolley motors are 1800/600 RPM.
HP 1 1 (2 REQUIRED) (a) Trolley Brake is available as optional equipment

53, 79 Foot Lifts

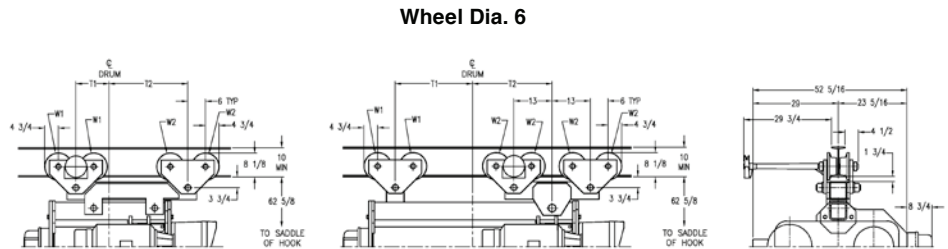
TROLLEY DATA: SPEED 50 FPM 100 FPM
HP 1/2 (2 REQUIRED) 1 (2 REQUIRED)

LUG MOUNTED			
Lift (Ft)	Weight	Pin Load in Lbs. (Max)	
		P1	P2
21	2812	15970	24342
34	3110	16441	25879
53	3334	9281	31223
79	4300	9703	31859

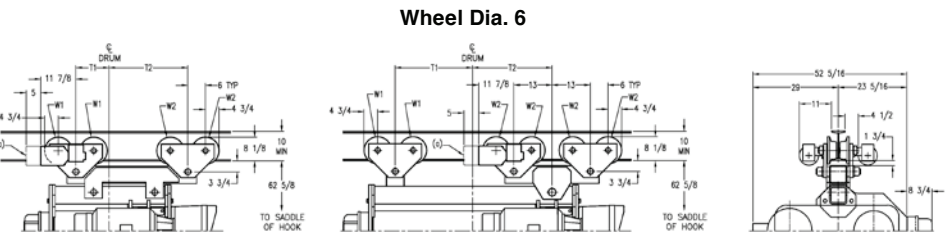


PLAIN OR GEARED TROLLEY			
Lift (Ft)	Weight*	Wheel Load in Lbs. (Max)	
		PR.W1	PR.W2
21	3540	9399	9419
34	3868	9427	10307
53	4231	9535	7967
79	5197	9957	8125

* Add 40 Lbs. for Geared Trolley.



MOTORIZED TROLLEY				
Lift (Ft)	Weight	Wheel Load in Lbs. (Max)		
		PR.W1	PR.W2	PR.W3
21	3640	9449	9419	-
34	3968	9477	10307	-
53	4331	9535	8017	7967
79	5297	9957	8175	8125



ACGO Acco Material Handling Solutions 800-967-7333 www.accomhs.com



Equipment described herein is not designed for, and should not be used for, lifting, supporting, or transporting humans. Modifications to upgrade, rerate, or otherwise alter the hoist or crane equipment shall be authorized only by the original manufacturer or qualified professional engineer. Failure to comply with any one of the limitations noted herein may result in serious bodily injury.
© 2012 ACCO Material Handling Solutions

WRIGHT®
Work-Rated®
THE NEW CENTURY SERIES®

Monorail Hoist
Series 35

20 TON

4 Part Single Reeved
 3/4 Diameter Rope

Electric Wire Rope Hoists
 Issued 06-01-12

For Pricing See Page 8m

MODEL NUMBER	Lift (Ft)	Lift Speed (FPM)	HP	B	C	Hook Travel		T1	T2	Drum
						L	U			
C5W20S021-15*4S0	21	15	20	29-3/8	36-1/8	4-13/16	10	17-5/8	10	3
C5W20S034-15*4S0	34	15	20	35-3/8	42-1/8	7-13/16	16	21-5/8	17-5/8	4
C5W20S053-15*4S0	53	15	20	44-3/8	51-1/8	12-5/16	25	26-5/8	26-5/8	5
C5W20S079-15*4S0	79	15	20	56-7/8	63-5/8	18-9/16	37-1/2	39-1/8	39-1/8	6

*To complete Model Number insert L, P, G or M in place of asterick.
 All dimensions shown in inches unless otherwise specified. Dimensions which change with beam size are for minimum beam shown.
 Work-Rated trolleys are adjustable for Standard I beam or WF beam, 4 inch to 11 inch flange width. Beam size must be specified. Trolleys are also available for 3.25 or 3.33" patented track beams. See **Accessories Section** for applications with flange width exceeding 11 inches.
 All reference to beam flange widths are for clearance purposes only and do not imply that lower flange of beam will support hoist with load.

TROLLEY DATA: SPEED 50 FPM 100 FPM All two speed trolley motors are 1800/600 RPM.
 HP 1/2 (2 REQUIRED) 1 (2 REQUIRED) (a) Trolley Brake is available as optional equipment

LUG MOUNTED			
Lift (Ft)	Weight	Pin Load in Lbs. (Max)	
		P1	P2
21	2812	3897	42558
34	3110	10497	40793
53	3334	11971	40923
79	4300	12333	41647

21 Foot Lifts

34, 53, 79 Foot Lifts

All Lifts

PLAIN OR GEARED TROLLEY			
Lift (Ft)	Weight*	Wheel Load in Lbs. (Max)	
		PR.W1	PR.W2
21	3567	7906	10800
34	4007	10751	10359
53	4231	12225	10392
79	5197	12587	10573

* Add 40 Lbs. for Geared Trolley.

Wheel Dia. 6

MOTORIZED TROLLEY				
Lift (Ft)	Weight	Wheel Load in Lbs. (Max)		
		PR.W1	PR.W2	PR.W3
21	3667	7906	10850	10800
34	4107	10751	10389	10359
53	4331	12225	10442	10392
79	5297	12587	10623	10573

Wheel Dia. 6

ACCO® Acco Material Handling Solutions 800-967-7333 www.accomhs.com

WARNING

Equipment described herein is not designed for, and should not be used for, lifting, supporting, or transporting humans. Modifications to upgrade, rerate, or otherwise alter the hoist or crane equipment shall be authorized only by the original manufacturer or qualified professional engineer. Failure to comply with any one of the limitations noted herein may result in serious bodily injury.
 © 2012 ACCO Material Handling Solutions

WRIGHT® Work-Rated®

Monorail Hoist Series 32

1 TON

2 Part Double Reeved
3/8 Diameter Rope

THE NEW CENTURY SERIES®

Electric Wire Rope Hoists

Issued 06-01-12

For Pricing See Page 9m

MODEL NUMBER	Lift (Ft)	Lift Speed (FPM)	HP	B	C	T1	T2	Drum
C2W01D020-15*2D0	20	15	3	23-3/8	25-7/8	5-1/8	11-3/8	4
C2W01D036-15*2D0	36	15	3	30-7/8	33-3/8	8-5/8	18-7/8	6
C2W01D060-15*2D0	60	15	3	42	44-1/2	13-1/2	30	7
C2W01D085-15*2D0	85	15	3	53-3/4	56-1/4	18-1/4	41-3/4	8
C2W01D020-22*2D0	20	22	3	23-3/8	25-7/8	5-1/8	11-3/8	4
C2W01D036-22*2D0	36	22	3	30-7/8	33-3/8	8-5/8	18-7/8	6
C2W01D060-22*2D0	60	22	3	42	44-1/2	13-1/2	30	7
C2W01D085-22*2D0	85	22	3	53-3/4	56-1/4	18-1/4	41-3/4	8
C2W01D020-30*2D0	20	30	3	23-3/8	25-7/8	5-1/8	11-3/8	4
C2W01D036-30*2D0	36	30	3	30-7/8	33-3/8	8-5/8	18-7/8	6
C2W01D060-30*2D0	60	30	3	42	44-1/2	13-1/2	30	7
C2W01D085-30*2D0	85	30	3	53-3/4	56-1/4	18-1/4	41-3/4	8

*To complete Model Number insert L, P, G or M in place of asterisk.

All dimensions shown in inches unless otherwise specified. Dimensions which change with beam size are for minimum beam shown.

Work-Rated trolleys are adjustable for Standard I beam or WF beam, 4 inch to 11 inch flange width. Beam size must be specified. Trolleys are also available for 3.25 or 3.33" patented track beams. See **Accessories Section** for applications with flange width exceeding 11 inches.

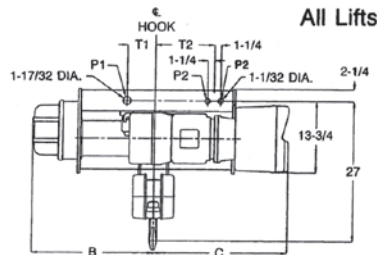
All reference to beam flange widths are for clearance purposes only and do not imply that lower flange of beam will support hoist with load.

TROLLEY DATA:

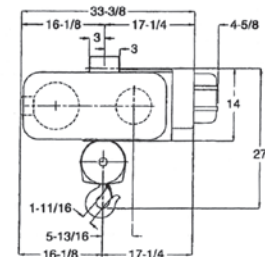
SPEED	50 FPM	100 FPM
HP	1/2	1/2

All two speed trolley motors are 1800/600 RPM.
(a) Trolley Brake is available as optional equipment

LUG MOUNTED			
Lift (Ft)	Weight	Pin Load in Lbs. (Max)	
		P1	P2
20	688	1572	558
36	779	1649	565
60	933	1773	580
85	1082	1901	591

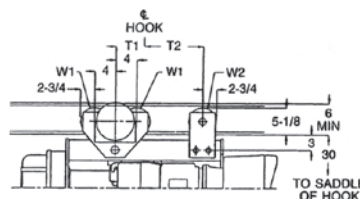


All Lifts

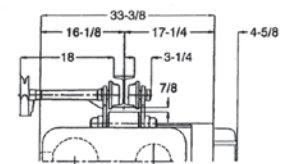


PLAIN OR GEARED TROLLEY			
Lift (Ft)	Weight*	Wheel Load in Lbs. (Max)	
		PR.W1	PR.W2
20	816	827	1163
36	907	865	1177
60	1061	927	1207
85	1210	991	1229

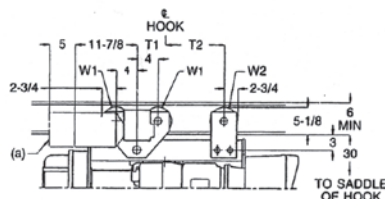
* Add 40 Lbs. for Geared Trolley.



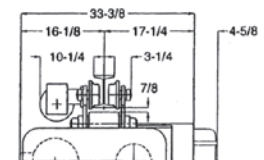
Wheel Dia. 4



MOTORIZED TROLLEY			
Lift (Ft)	Weight	Wheel Load in Lbs. (Max)	
		PR.W1	PR.W2
20	884	858	1163
36	975	899	1177
60	1129	958	1207
85	1278	1025	1229



Wheel Dia. 4



ACCO Acco Material Handling Solutions 800-967-7333 www.accomhs.com

WARNING

Equipment described herein is not designed for, and should not be used for, lifting, supporting, or transporting humans. Modifications to upgrade, rerate, or otherwise alter the hoist or crane equipment shall be authorized only by the original manufacturer or qualified professional engineer. Failure to comply with any one of the limitations noted herein may result in serious bodily injury.

© 2012 ACCO Material Handling Solutions

WRIGHT®

Work-Rated®

THE NEW CENTURY SERIES®

Electric Wire Rope Hoists

Issued 06-01-12

Monorail Hoist Series 33

2 Part Double Reeved
3/8 Diameter Rope

1 TON

For Pricing See Page 9m

MODEL NUMBER	Lift (Ft)	Lift Speed (FPM)	HP	B	C	T1	T2	Drum
C3W01D020-44*2D0	20	44	7-1/2	21-1/8	23-5/8	4-5/8	8-7/8	2
C3W01D036-44*2D0	36	44	7-1/2	26-5/8	29-1/8	7-5/8	14-3/8	3
C3W01D054-44*2D0	54	44	7-1/2	33-1/8	35-5/8	11-1/8	20-7/8	4
C3W01D082-44*2D0	82	44	7-1/2	43-1/8	45-5/8	15-1/8	30-7/8	5
C3W01D118-44*2D0	118	44	7-1/2	55-5/8	58-1/8	22-5/8	43-3/8	6

*To complete Model Number insert L, P, G or M in place of asterisk.

All dimensions shown in inches unless otherwise specified. Dimensions which change with beam size are for minimum beam shown.

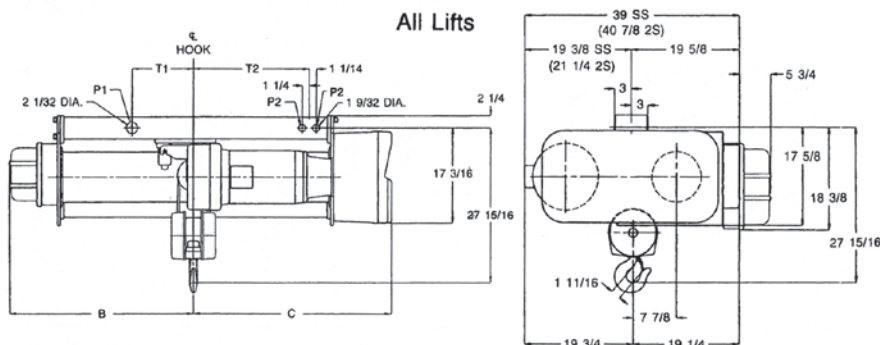
Work-Rated trolleys are adjustable for Standard I beam or WF beam, 4 inch to 11 inch flange width. Beam size must be specified. Trolleys are also available for 3.25 or 3.33" patented track beams. See **Accessories Section** for applications with flange width exceeding 11 inches.

All reference to beam flange widths are for clearance purposes only and do not imply that lower flange of beam will support hoist with load.

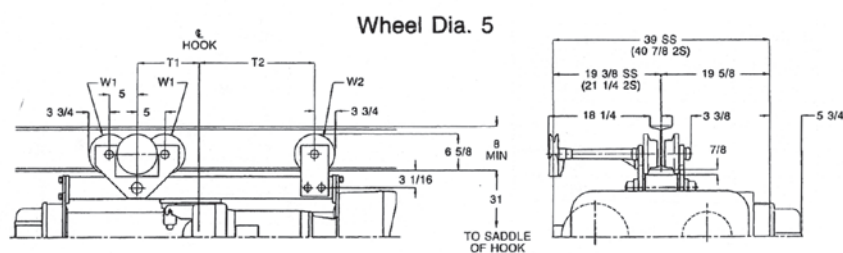
TROLLEY DATA: SPEED 50 FPM 100 FPM
 HP 1/2 1/2

All two speed trolley motors are 1800/600 RPM.
(a) Trolley Brake is available as optional equipment

LUG MOUNTED			
Lift (Ft)	Weight	Pin Load in Lbs. (Max)	
		P1	P2
20	986	1689	649
36	1080	1632	724
54	1189	1720	735
82	1360	1897	732
118	1572	2005	784

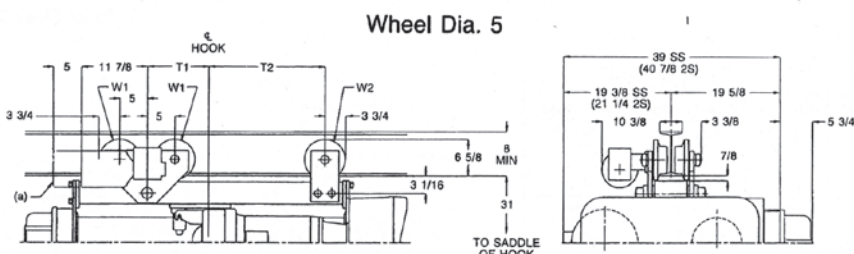


PLAIN OR GEARED TROLLEY			
Lift (Ft)	Weight*	Wheel Load in Lbs. (Max)	
		PR.W1	PR.W2
20	1177	911	1357
36	1271	882	1507
54	1380	926	1529
82	1551	1015	1523
118	1763	1069	1627



* Add 40 Lbs. for Geared Trolley

MOTORIZED TROLLEY			
Lift (Ft)	Weight	Wheel Load in Lbs. (Max)	
		PR.W1	PR.W2
20	1245	945	1357
36	1339	916	1507
54	1448	960	1529
82	1619	1049	1523
118	1831	1103	1627



800-967-7333 www.accomhs.com



Equipment described herein is not designed for, and should not be used for, lifting, supporting, or transporting humans. Modifications to upgrade, rerate, or otherwise alter the hoist or crane equipment shall be authorized only by the original manufacturer or qualified professional engineer. Failure to comply with any one of the limitations noted herein may result in serious bodily injury.

© 2012 ACCO Material Handling Solutions



Monorail Hoist Series 32

2 TON

2 Part Double Reeved
3/8 Diameter Rope

THE NEW CENTURY SERIES®

Electric Wire Rope Hoists

Issued 06-01-12

For Pricing See Page 10m

MODEL NUMBER	Lift (Ft)	Lift Speed (FPM)	HP	B	C	T1	T2	Drum
C2W02D020-15*2D0	20	15	3	23-3/8	25-7/8	5-1/8	11-3/8	4
C2W02D036-15*2D0	36	15	3	30-7/8	33-3/8	8-5/8	18-7/8	6
C2W02D060-15*2D0	60	15	3	42	44-1/2	13-1/2	30	7
C2W02D085-15*2D0	85	15	3	53-3/4	56-1/4	18-1/4	41-3/4	8
C2W02D020-22*2D0	20	22	3	23-3/8	25-7/8	5-1/8	11-3/8	4
C2W02D036-22*2D0	36	22	3	30-7/8	33-3/8	8-5/8	18-7/8	6
C2W02D060-22*2D0	60	22	3	42	44-1/2	13-1/2	30	7
C2W02D085-22*2D0	85	22	3	53-3/4	56-1/4	18-1/4	41-3/4	8
C2W02D020-30*2D0	20	30	5	23-3/8	25-7/8	5-1/8	11-3/8	4
C2W02D036-30*2D0	36	30	5	30-7/8	33-3/8	8-5/8	18-7/8	6
C2W02D060-30*2D0	60	30	5	42	44-1/2	13-1/2	30	7
C2W02D085-30*2D0	85	30	5	53-3/4	56-1/4	18-1/4	41-3/4	8

*To complete Model Number insert L, P, G or M in place of asterisk.

All dimensions shown in inches unless otherwise specified. Dimensions which change with beam size are for minimum beam shown.

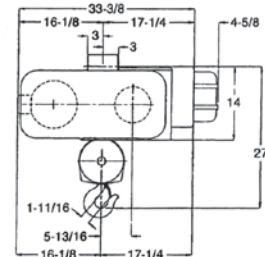
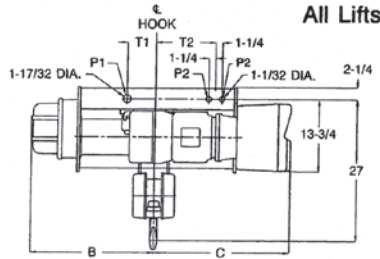
Work-Rated trolleys are adjustable for Standard I beam or WF beam, 4 inch to 11 inch flange width. Beam size must be specified. Trolleys are also available for 3.25 or 3.33" patented track beams. See **Accessories Section** for applications with flange width exceeding 11 inches.

All reference to beam flange widths are for clearance purposes only and do not imply that lower flange of beam will support hoist with load.

TROLLEY DATA: SPEED 50 FPM 100 FPM
HP 1/2 1/2

All two speed trolley motors are 1800/600 RPM.
(a) Trolley Brake is available as optional equipment

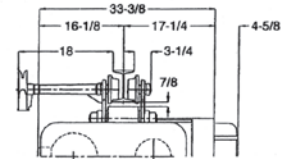
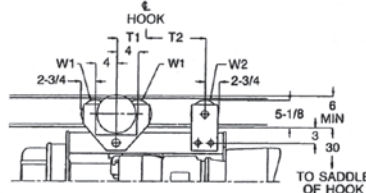
LUG MOUNTED			
Lift (Ft)	Weight	Pin Load in Lbs. (Max)	
		P1	P2
20	688	2950	869
36	779	3022	879
60	933	3153	890
85	1082	3293	895



PLAIN OR GEARED TROLLEY			
Lift (Ft)	Weight*	Wheel Load in Lbs. (Max)	
		PR.W1	PR.W2
20	816	1516	1785
36	907	1552	1805
60	1061	1617	1827
85	1210	1687	1837

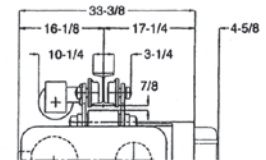
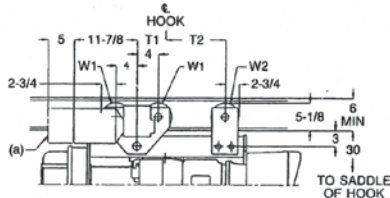
* Add 40 Lbs. for Geared Trolley.

Wheel Dia. 4



MOTORIZED TROLLEY			
Lift (Ft)	Weight	Wheel Load in Lbs. (Max)	
		PR.W1	PR.W2
20	884	1551	1785
36	975	1586	1805
60	1129	1651	1827
85	1278	1721	1837

Wheel Dia. 4



ACCO Acco Material Handling Solutions 800-967-7333 www.accomhs.com



Equipment described herein is not designed for, and should not be used for, lifting, supporting, or transporting humans. Modifications to upgrade, rerate, or otherwise alter the hoist or crane equipment shall be authorized only by the original manufacturer or qualified professional engineer. Failure to comply with any one of the limitations noted herein may result in serious bodily injury.

© 2012 ACCO Material Handling Solutions

WRIGHT®

Work-Rated®

THE NEW CENTURY SERIES®

Electric Wire Rope Hoists

Issued 06-01-12

Monorail Hoist Series 33

2 Part Double Reeved
3/8 Diameter Rope

2 TON

For Pricing See Page 10m

MODEL NUMBER	Lift (Ft)	Lift Speed (FPM)	HP	B	C	T1	T2	Drum
C3W02D020-44*2D0	20	44	7-1/2	21-1/8	23-5/8	4-5/8	8-7/8	2
C3W02D036-44*2D0	36	44	7-1/2	26-5/8	29-1/8	7-5/8	14-3/8	3
C3W02D054-44*2D0	54	44	7-1/2	33-1/8	35-5/8	11-1/8	20-7/18	4
C3W02D082-44*2D0	82	44	7-1/2	43-1/8	45-5/8	15-1/8	30-7/8	5
C3W02D118-44*2D0	118	44	7-1/2	55-5/8	58-1/8	22-5/8	43-3/8	6

*To complete Model Number insert L, P, G or M in place of asterick.

All dimensions shown in inches unless otherwise specified. Dimensions which change with beam size are for minimum beam shown.

Work-Rated trolleys are adjustable for Standard I beam or WF beam, 4 inch to 11 inch flange width. Beam size must be specified. Trolleys are also available for 3.25 or 3.33" patented track beams. See **Accessories Section** for applications with flange width exceeding 11 inches.

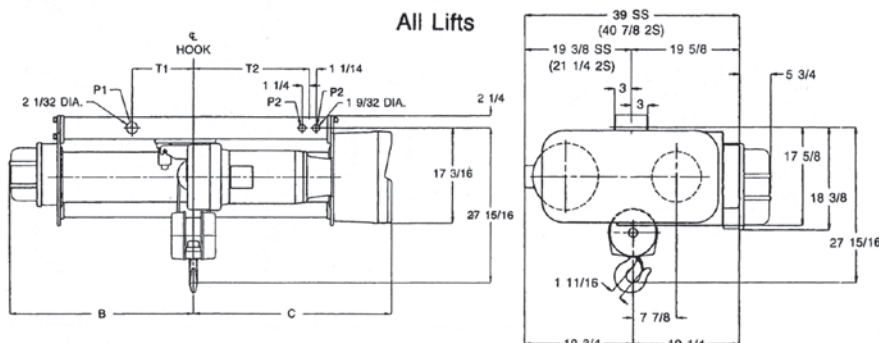
All reference to beam flange widths are for clearance purposes only and do not imply that lower flange of beam will support hoist with load.

TROLLEY DATA:

SPEED	50 FPM	100 FPM
HP	1/2	1/2

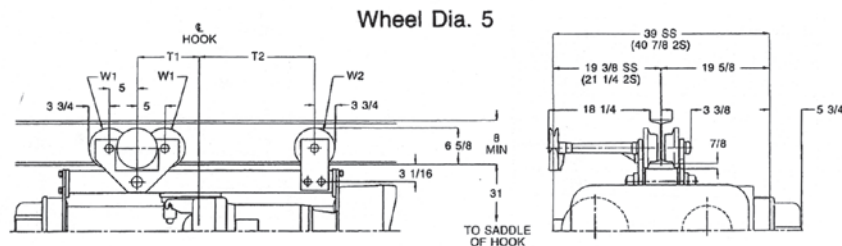
All two speed trolley motors are 1800/600 RPM.
(a) Trolley Brake is available as optional equipment

LUG MOUNTED			
Lift (Ft)	Weight	Pin Load in Lbs. (Max)	
		P1	P2
20	986	2945	1021
36	1080	2939	1071
54	1189	3025	1082
82	1360	3239	1061
118	1572	3320	1126

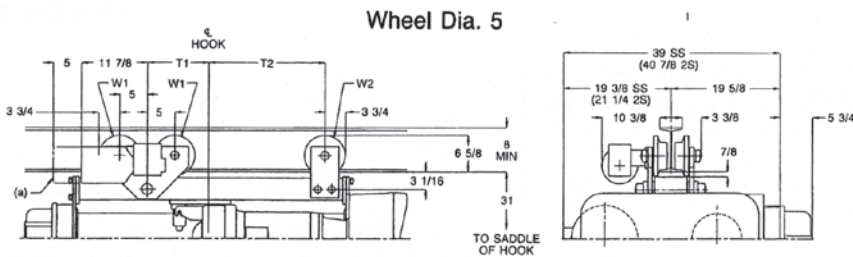


PLAIN OR GEARED TROLLEY			
Lift (Ft)	Weight*	Wheel Load in Lbs. (Max)	
		PR.W1	PR.W2
20	1177	1539	2101
36	1271	1536	2201
54	1380	1579	2223
82	1551	1686	2181
118	1763	1726	2311

* Add 40 Lbs. for Geared Trolley.



MOTORIZED TROLLEY			
Lift (Ft)	Weight	Wheel Load in Lbs. (Max)	
		PR.W1	PR.W2
20	1245	1573	2101
36	1339	1570	2201
54	1448	1613	2223
82	1619	1720	2181
118	1831	1760	2311



800-967-7333 www.accomhs.com



Equipment described herein is not designed for, and should not be used for, lifting, supporting, or transporting humans. Modifications to upgrade, rerate, or otherwise alter the hoist or crane equipment shall be authorized only by the original manufacturer or qualified professional engineer. Failure to comply with any one of the limitations noted herein may result in serious bodily injury.

© 2012 ACCO Material Handling Solutions

WRIGHT®
Work-Rated®

THE NEW CENTURY SERIES®

Electric Wire Rope Hoists

Issued 06-01-12

Monorail Hoist
Series 32

2 Part Double Reeved
3/8 Diameter Rope

3 TON

For Pricing See Page 11m

MODEL NUMBER	Lift (Ft)	Lift Speed (FPM)	HP	B	C	T1	T2	Drum
C2W03D020-15*2D0	20	15	3	23-3/8	25-7/8	5-1/8	11-3/8	4
C2W03D036-15*2D0	36	15	3	30-7/8	33-3/8	8-5/8	18-7/8	6
C2W03D060-15*2D0	60	15	3	42	44-1/2	13-1/2	30	7
C2W03D085-15*2D0	85	15	3	53-3/4	56-1/4	18-1/4	41-3/4	8
C2W03D020-22*2D0	20	22	5	23-3/8	25-7/8	5-1/8	11-3/8	4
C2W03D036-22*2D0	36	22	5	30-7/8	33-3/8	8-5/8	18-7/8	6
C2W03D060-22*2D0	60	22	5	42	44-1/2	13-1/2	30	7
C2W03D085-22*2D0	85	22	5	53-3/4	56-1/4	18-1/4	41-3/4	8

*To complete Model Number insert L, P, G or M in place of asterisk.

All dimensions shown in inches unless otherwise specified. Dimensions which change with beam size are for minimum beam shown.

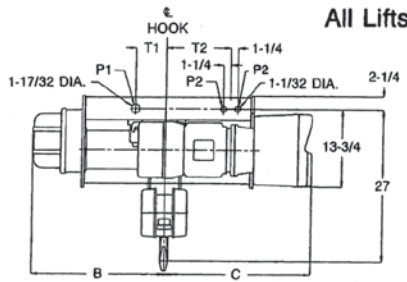
Work-Rated trolleys are adjustable for Standard I beam or WF beam, 4 inch to 11 inch flange width. Beam size must be specified. Trolleys are also available for 3.25 or 3.33" patented track beams. See **Accessories Section** for applications with flange width exceeding 11 inches.

All reference to beam flange widths are for clearance purposes only and do not imply that lower flange of beam will support hoist with load.

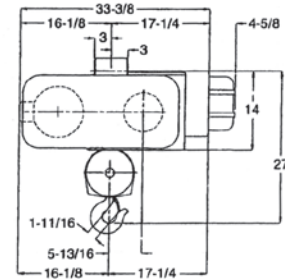
TROLLEY DATA: SPEED 50 FPM 100 FPM
HP 1/2 1/2

All two speed trolley motors are 1800/600 RPM.
(a) Trolley Brake is available as optional equipment

LUG MOUNTED			
Lift (Ft)	Weight	Pin Load in Lbs. (Max)	
		P1	P2
20	688	4329	1180
36	779	4395	1192
60	933	4532	1201
85	1082	4685	1199

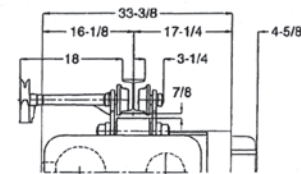
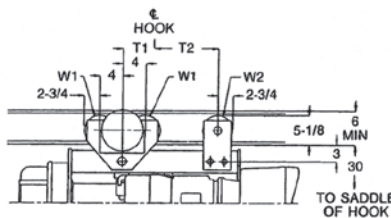


All Lifts



PLAIN OR GEARED TROLLEY			
Lift (Ft)	Weight*	Wheel Load in Lbs. (Max)	
		PR.W1	PR.W2
20	816	2205	2407
36	907	2238	2431
60	1061	2307	2449
85	1210	2383	2445

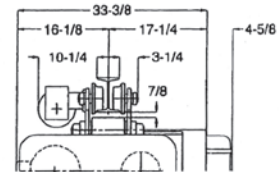
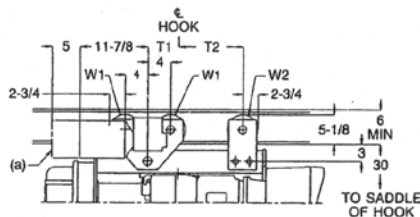
Wheel Dia. 4



* Add 40 Lbs. for Geared Trolley.

MOTORIZED TROLLEY			
Lift (Ft)	Weight	Wheel Load in Lbs. (Max)	
		PR.W1	PR.W2
20	884	2239	2407
36	975	2272	2431
60	1129	2341	2449
85	1278	2417	2445

Wheel Dia. 4



ACCO Acco Material Handling Solutions 800-967-7333 www.accomhs.com

WARNING

Equipment described herein is not designed for, and should not be used for, lifting, supporting, or transporting humans. Modifications to upgrade, rerate, or otherwise alter the hoist or crane equipment shall be authorized only by the original manufacturer or qualified professional engineer. Failure to comply with any one of the limitations noted herein may result in serious bodily injury.
© 2012 ACCO Material Handling Solutions

WRIGHT®
Work-Rated®
THE NEW CENTURY SERIES®

Monorail Hoist
Series 33

2 Part Double Reeved
 3/8 Diameter Rope

3 TON

Electric Wire Rope Hoists

Issued 06-01-12

For Pricing See Page 11m

MODEL NUMBER	Lift (Ft)	Lift Speed (FPM)	HP	B	C	T1	T2	Drum
C3W03D020-30*2D0	20	30	7-1/2	21-1/8	23-5/8	4-5/8	8-7/8	2
C3W03D036-30*2D0	36	30	7-1/2	26-5/8	29-1/8	7-5/8	14-3/8	3
C3W03D054-30*2D0	54	30	7-1/2	33-1/8	35-5/8	11-1/8	20-7/8	4
C3W03D082-30*2D0	82	30	7-1/2	43-1/8	45-5/8	15-1/8	30-7/8	5
C3W03D118-30*2D0	118	30	7-1/2	55-5/8	58-1/8	22-5/8	43-3/8	6
C3W03D020-44*2D0	20	44	10	21-1/8	23-5/8	4-5/8	8-7/8	2
C3W03D036-44*2D0	36	44	10	26-5/8	29-1/8	7-5/8	14-3/8	3
C3W03D054-44*2D0	54	44	10	33-1/8	35-5/8	11-1/8	20-7/8	4
C3W03D082-44*2D0	82	44	10	43-1/8	45-5/8	15-1/8	30-7/8	5
C3W03D118-44*2D0	118	44	10	55-5/8	58-1/8	22-5/8	43-3/8	6

*To complete Model Number insert L, P, G or M in place of asterick.

All dimensions shown in inches unless otherwise specified. Dimensions which change with beam size are for minimum beam shown.

Work-Rated trolleys are adjustable for Standard I beam or WF beam, 4 inch to 11 inch flange width. Beam size must be specified. Trolleys are also available for 3.25 or 3.33" patented track beams. See **Accessories Section** for applications with flange width exceeding 11 inches.

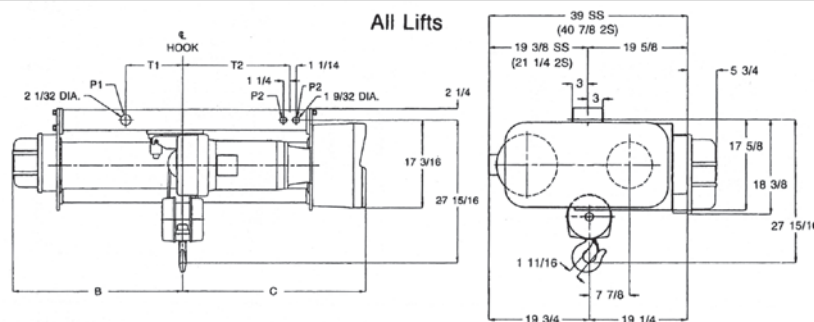
All reference to beam flange widths are for clearance purposes only and do not imply that lower flange of beam will support hoist with load.

TROLLEY DATA: SPEED 50 FPM 100 FPM
 HP 1/2 1/2

All two speed trolley motors are 1800/600 RPM.

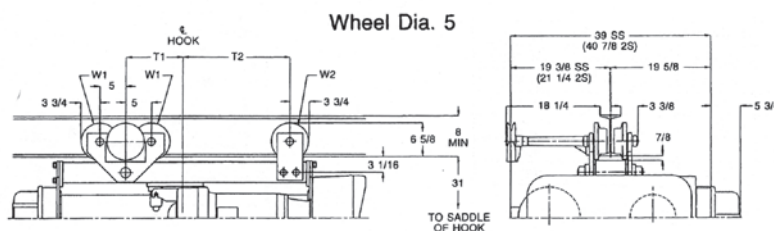
(a) Trolley Brake is available as optional equipment

LUG MOUNTED			
Lift (Ft)	Weight	Pin Load in Lbs. (Max)	
		P1	P2
20	986	4204	1391
36	1080	4246	1417
54	1189	4330	1430
82	1360	4582	1389
118	1572	4634	1469

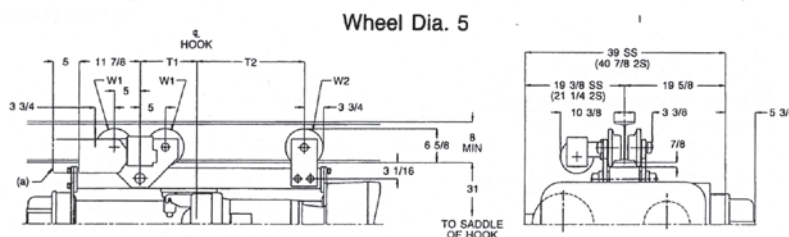


PLAIN OR GEARED TROLLEY			
Lift (Ft)	Weight*	Wheel Load in Lbs. (Max)	
		PR.W1	PR.W2
20	1177	2168	2841
36	1271	2190	2892
54	1380	2232	2918
82	1551	2358	2836
118	1763	2384	2996

* Add 40 Lbs. for Geared Trolley.



MOTORIZED TROLLEY			
Lift (Ft)	Weight	Wheel Load in Lbs. (Max)	
		PR.W1	PR.W2
20	1245	2202	2841
36	1339	2224	2892
54	1448	2266	2918
82	1619	2392	2836
118	1831	2418	2996



ACCO Acco Material Handling Solutions 800-967-7333 www.accomhs.com

WARNING

Equipment described herein is not designed for, and should not be used for, lifting, supporting, or transporting humans. Modifications to upgrade, rerate, or otherwise alter the hoist or crane equipment shall be authorized only by the original manufacturer or qualified professional engineer. Failure to comply with any one of the limitations noted herein may result in serious bodily injury.

© 2012 ACCO Material Handling Solutions

WRIGHT® Work-Rated®

Monorail Hoist Series 32

5 TON

2 Part Double Reeved
3/8 Diameter Rope

THE NEW CENTURY SERIES®

Electric Wire Rope Hoists

Issued 06-01-12

For Pricing See Page 12m

MODEL NUMBER	Lift (Ft)	Lift Speed (FPM)	HP	B	C	T1	T2	Drum
C2W05D020-15*2D0	20	15	5	23-3/8	25-7/8	5-1/8	11-3/8	4
C2W05D036-15*2D0	36	15	5	30-7/8	33-3/8	8-5/8	18-7/8	6
C2W05D060-15*2D0	60	15	5	42	44-1/2	13-1/2	30	7
C2W05D085-15*2D0	85	15	5	53-3/4	56-1/4	18-1/4	41-3/4	8

*To complete Model Number insert L, P, G or M in place of asterick.

All dimensions shown in inches unless otherwise specified. Dimensions which change with beam size are for minimum beam shown.

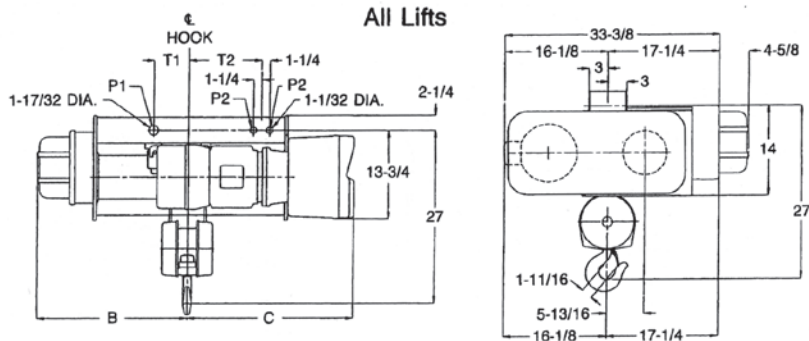
Work-Rated trolleys are adjustable for Standard I beam or WF beam, 4 inch to 11 inch flange width. Beam size must be specified. Trolleys are also available for 3.25 or 3.33" patented track beams. See **Accessories Section** for applications with flange width exceeding 11 inches.

All reference to beam flange widths are for clearance purposes only and do not imply that lower flange of beam will support hoist with load.

TROLLEY DATA: SPEED 50 FPM 100 FPM
 HP 1/2 1/2

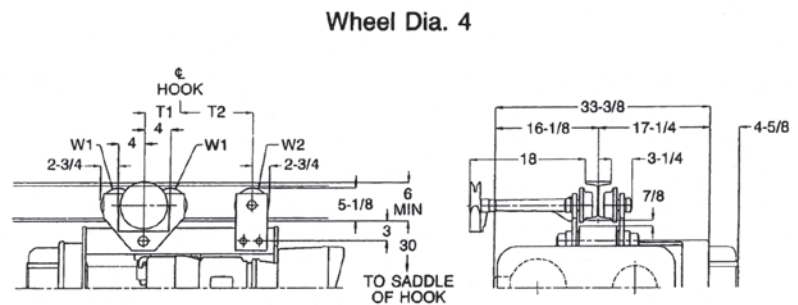
All two speed trolley motors are 1800/600 RPM.
(a) Trolley Brake is available as optional equipment

LUG MOUNTED			
Lift (Ft)	Weight	Pin Load in Lbs. (Max)	
		P1	P2
20	688	7088	1800
36	779	7141	1819
60	933	7290	1822
85	1082	7468	1807

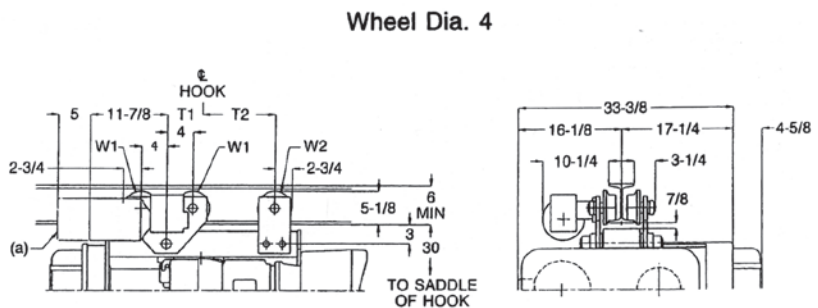


PLAIN OR GEARED TROLLEY			
Lift (Ft)	Weight*	Wheel Load in Lbs. (Max)	
		PR.W1	PR.W2
20	816	3585	3647
36	907	3611	3685
60	1061	3686	3690
85	1210	3775	3661

* Add 40 Lbs. for Geared Trolley.



MOTORIZED TROLLEY			
Lift (Ft)	Weight	Wheel Load in Lbs. (Max)	
		PR.W1	PR.W2
20	884	3619	3647
36	975	3645	3685
60	1129	3720	3690
85	1278	3809	3661



800-967-7333 www.accomhs.com



Equipment described herein is not designed for, and should not be used for, lifting, supporting, or transporting humans. Modifications to upgrade, rerate, or otherwise alter the hoist or crane equipment shall be authorized only by the original manufacturer or qualified professional engineer. Failure to comply with any one of the limitations noted herein may result in serious bodily injury.

© 2012 ACCO Material Handling Solutions

WRIGHT®

Work-Rated®

THE NEW CENTURY SERIES®

Electric Wire Rope Hoists

Issued 06-01-12

**Monorail Hoist
Series 33**2 Part Double Reeved
3/8 Diameter Rope**5 TON**

For Pricing See Page 12m

MODEL NUMBER	Lift (Ft)	Lift Speed (FPM)	HP	B	C	T1	T2	Drum
C3W05D020-22*2D0	20	22	7-1/2	21-1/8	23-5/8	4-5/8	8-7/8	2
C3W05D036-22*2D0	36	22	7-1/2	26-5/8	29-1/8	7-5/8	14-3/8	3
C3W05D054-22*2D0	54	22	7-1/2	33-1/8	35-5/8	11-1/8	20-7/8	4
C3W05D082-22*2D0	82	22	7-1/2	43-1/8	45-5/8	15-1/8	30-7/8	5
C3W05D118-22*2D0	118	22	7-1/2	55-5/8	58-1/8	22-5/8	43-3/8	6
C3W05D020-30*2D0	20	30	10	21-1/8	23-5/8	4-5/8	8-7/8	2
C3W05D036-30*2D0	36	30	10	26-5/8	29-1/8	7-5/8	14-3/8	3
C3W05D054-30*2D0	54	30	10	33-1/8	35-5/8	11-1/8	20-7/8	4
C3W05D082-30*2D0	82	30	10	43-1/8	45-5/8	15-1/8	30-7/8	5
C3W05D118-30*2D0	118	30	10	55-5/8	58-1/8	22-5/8	43-3/8	6

*To complete Model Number insert L, P, G or M in place of asterick.

All dimensions shown in inches unless otherwise specified. Dimensions which change with beam size are for minimum beam shown.

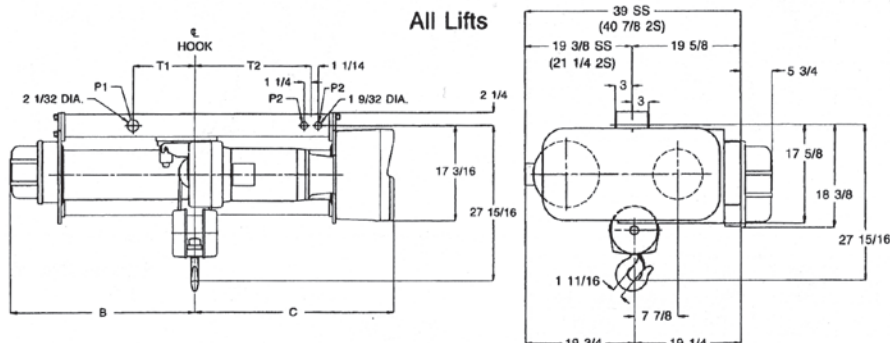
Work-Rated trolleys are adjustable for Standard I beam or WF beam, 4 inch to 11 inch flange width. Beam size must be specified. Trolleys are also available for 3.25 or 3.33" patented track beams. See **Accessories Section** for applications with flange width exceeding 11 inches.

All reference to beam flange widths are for clearance purposes only and do not imply that lower flange of beam will support hoist with load.

TROLLEY DATA: SPEED 50 FPM 100 FPM
 HP 1/2 1/2

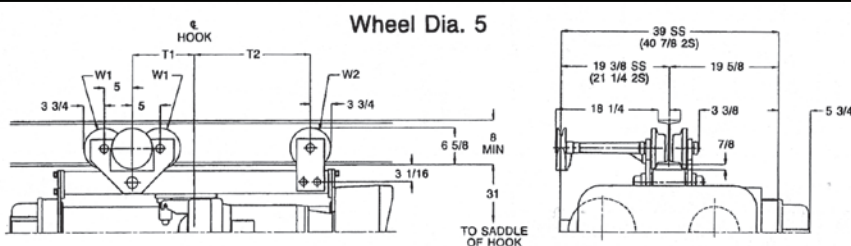
All two speed trolley motors are 1800/600 RPM.
 (a) Trolley Brake is available as optional equipment

LUG MOUNTED			
Lift (Ft)	Weight	Pin Load in Lbs. (Max)	
		P1	P2
20	986	6803	2092
36	1080	6860	2110
54	1189	6939	2125
82	1360	7267	2047
118	1572	7263	2155

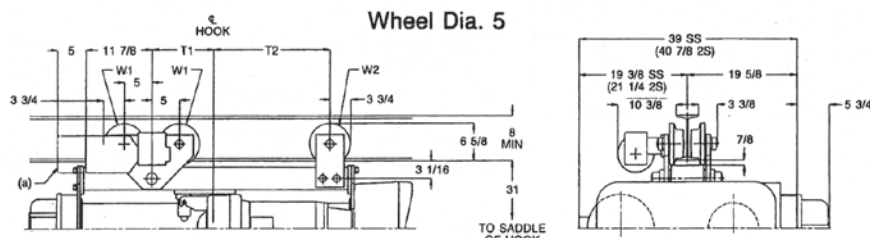


PLAIN OR GEARED TROLLEY			
Lift (Ft)	Weight*	Wheel Load in Lbs. (Max)	
		PR.W1	PR.W2
20	1177	3468	4242
36	1271	3497	4278
54	1380	3536	4308
82	1551	3700	4152
118	1763	3698	4368

* Add 40 Lbs. for Geared Trolley.



MOTORIZED TROLLEY			
Lift (Ft)	Weight	Wheel Load in Lbs. (Max)	
		PR.W1	PR.W2
20	1245	3502	4242
36	1339	3531	4278
54	1448	3570	4308
82	1619	3734	4152
118	1831	3732	4368

**ACCO** Acco Material Handling Solutions

800-967-7333 www.accomhs.com

WARNING

Equipment described herein is not designed for, and should not be used for, lifting, supporting, or transporting humans. Modifications to upgrade, rerate, or otherwise alter the hoist or crane equipment shall be authorized only by the original manufacturer or qualified professional engineer. Failure to comply with any one of the limitations noted herein may result in serious bodily injury.

© 2012 ACCO Material Handling Solutions

m25

WRIGHT® Work-Rated®

THE NEW CENTURY SERIES®

Electric Wire Rope Hoists

Issued 06-01-12

Monorail Hoist Series 34

2 Part Double Reeved
1/2 Diameter Rope

5 TON

For Pricing See Page 12m

MODEL NUMBER	Lift (Ft)	Lift Speed (FPM)	HP	B	C	T1	T2	Drum
C4W05D020-44*2D0	20	44	15	24-1/8	30-3/4	6	10-1/4	2
C4W05D031-44*2D0	31	44	15	28-5/8	35-1/4	11-3/8	14-3/4	3
C4W05D047-44*2D0	47	44	15	34-5/8	41-1/4	16	20-3/4	4
C4W05D076-44*2D0	76	44	15	45-5/8	52-1/4	16	31-3/4	5
C4W05D115-44*2D0	115	44	15	60-5/8	67-1/4	18	46-3/4	6

*To complete Model Number insert L, P, G or M in place of asterisk.

All dimensions shown in inches unless otherwise specified. Dimensions which change with beam size are for minimum beam shown.

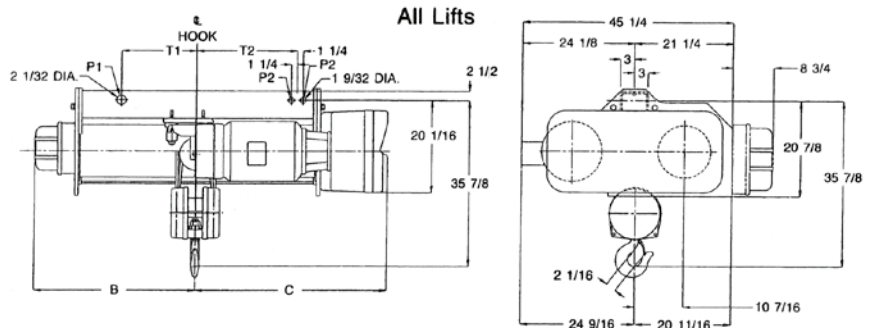
Work-Rated trolleys are adjustable for Standard I beam or WF beam, 4 inch to 11 inch flange width. Beam size must be specified. Trolleys are also available for 3.25 or 3.33" patented track beams. See **Accessories Section** for applications with flange width exceeding 11 inches.

All reference to beam flange widths are for clearance purposes only and do not imply that lower flange of beam will support hoist with load.

TROLLEY DATA: SPEED 50 FPM 100 FPM
 HP 1/2 1

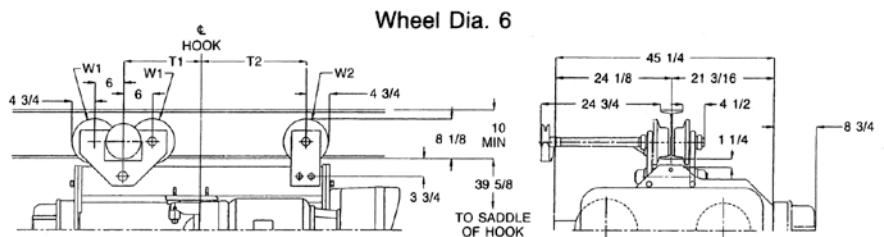
All two speed trolley motors are 1800/600 RPM.
 (a) Trolley Brake is available as optional equipment

LUG MOUNTED			
Lift (Ft)	Weight	Pin Load in Lbs. (Max)	
		P1	P2
20	1890	6508	2691
31	2010	5994	3008
47	2170	6156	3007
76	2460	7498	2481
115	2850	8474	2188

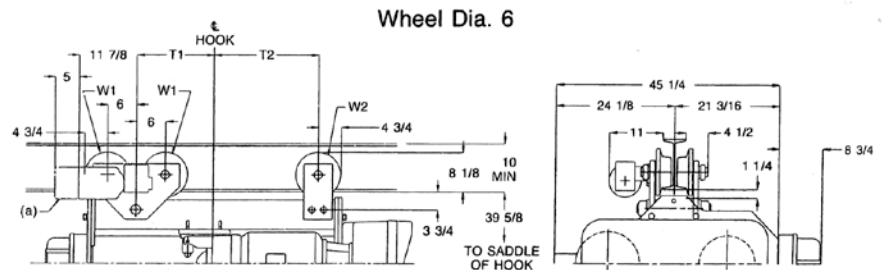


PLAIN OR GEARED TROLLEY			
Lift (Ft)	Weight*	Wheel Load in Lbs. (Max)	
		PR.W1	PR.W2
20	2230	3374	5482
31	2350	3117	6116
47	2510	3198	6114
76	2800	3869	5062
115	3190	4357	4476

* Add 40 Lbs. for Geared Trolley.



MOTORIZED TROLLEY			
Lift (Ft)	Weight	Wheel Load in Lbs. (Max)	
		PR.W1	PR.W2
20	2298	3408	5482
31	2418	3151	6116
47	2578	3232	6114
76	2868	3903	5062
115	3258	4391	4476



ACCO Acco Material Handling Solutions 800-967-7333 www.accomhs.com

WARNING

Equipment described herein is not designed for, and should not be used for, lifting, supporting, or transporting humans. Modifications to upgrade, rerate, or otherwise alter the hoist or crane equipment shall be authorized only by the original manufacturer or qualified professional engineer. Failure to comply with any one of the limitations noted herein may result in serious bodily injury.

© 2012 ACCO Material Handling Solutions

WRIGHT®
Work-Rated®
THE NEW CENTURY SERIES®

Monorail Hoist
Series 33

4 Part Double Reeved
 3/8 Diameter Rope

7 1/2 TON

Electric Wire Rope Hoists

Issued 06-01-12

For Pricing See Page 13m

MODEL NUMBER	Lift (Ft)	Lift Speed (FPM)	HP	B	C	T1	T2	Drum
C3W07D022-15*4D0	22	15	7-1/2	33-1/8	35-5/8	9-1/8	20-7/8	4
C3W07D036-15*4D0	36	15	7-1/2	43-1/8	45-5/8	13-1/8	30-7/8	5
C3W07D054-15*4D0	54	15	7-1/2	55-5/8	58-1/8	20-5/8	43-3/8	6
C3W07D022-22*4D0	22	22	10	33-1/8	35-5/8	9-1/8	20-7/8	4
C3W07D036-22*4D0	36	22	10	43-1/8	45-5/8	13-1/8	30-7/8	5
C3W07D054-22*4D0	54	22	10	55-5/8	58-1/8	20-5/8	43-3/8	6

*To complete Model Number insert L, P, G or M in place of asterick.

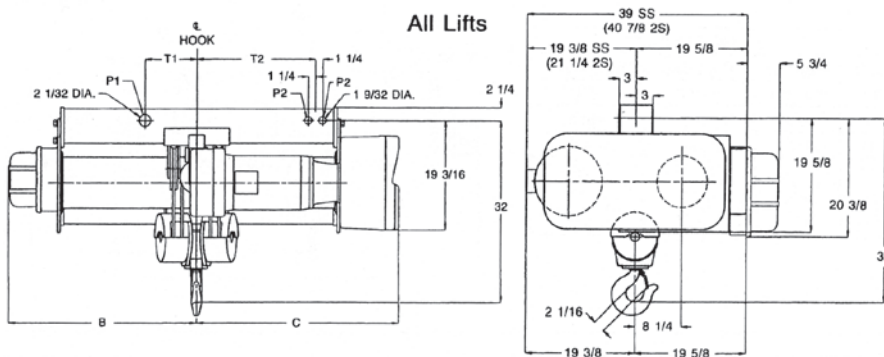
All dimensions shown in inches unless otherwise specified. Dimensions which change with beam size are for minimum beam shown.

Work-Rated trolleys are adjustable for Standard I beam or WF beam, 4 inch to 11 inch flange width. Beam size must be specified. Trolleys are also available for 3.25 or 3.33" patented track beams. See **Accessories Section** for applications with flange width exceeding 11 inches.

All reference to beam flange widths are for clearance purposes only and do not imply that lower flange of beam will support hoist with load.

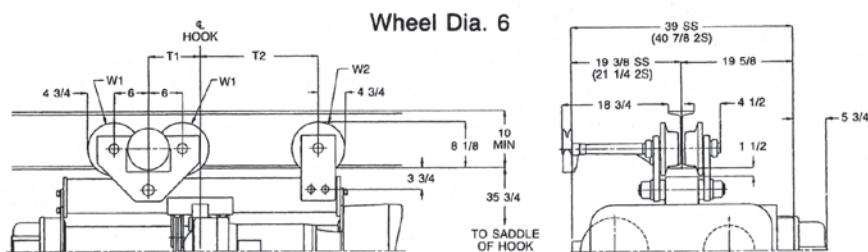
TROLLEY DATA: SPEED 50 FPM 100 FPM All two speed trolley motors are 1800/600 RPM.
 HP 1/2 1 (a) Trolley Brake is available as optional equipment

LUG MOUNTED			
Lift (Ft)	Weight	Pin Load in Lbs. (Max)	
		P1	P2
22	1285	10946	2670
36	1465	11177	2644
54	1688	10952	2868

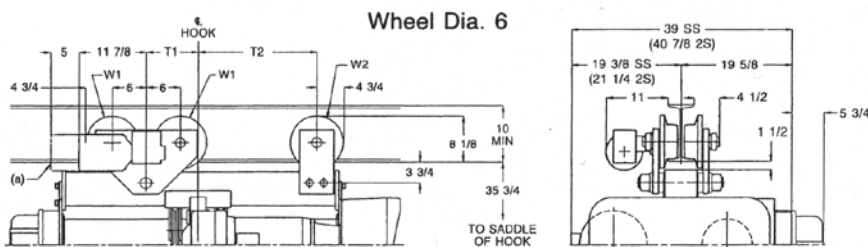


PLAIN OR GEARED TROLLEY			
Lift (Ft)	Weight*	Wheel Load in Lbs. (Max)	
		PR.W1	PR.W2
22	1634	5595	5446
36	1814	5710	5394
54	2037	5598	5842

* Add 40 Lbs. for Geared Trolley.



MOTORIZED TROLLEY			
Lift (Ft)	Weight	Wheel Load in Lbs. (Max)	
		PR.W1	PR.W2
22	1702	5629	5446
36	1882	5744	5394
54	2105	5632	5842



800-967-7333 www.accomhs.com



Equipment described herein is not designed for, and should not be used for, lifting, supporting, or transporting humans. Modifications to upgrade, rerate, or otherwise alter the hoist or crane equipment shall be authorized only by the original manufacturer or qualified professional engineer. Failure to comply with any one of the limitations noted herein may result in serious bodily injury.

© 2012 ACCO Material Handling Solutions

WRIGHT®
Work-Rated®

Monorail Hoist
Series 34

7 1/2 TON

2 Part Double Reeved
1/2 Diameter Rope

THE NEW CENTURY SERIES®

Electric Wire Rope Hoists

Issued 06-01-12

For Pricing See Page 13m

MODEL NUMBER	Lift (Ft)	Lift Speed (FPM)	HP	B	C	T1	T2	Drum
C4W07D020-30*2D0	20	30	15	24-1/8	30-3/4	6	10-1/4	2
C4W07D031-30*2D0	31	30	15	28-5/8	35-1/4	11-3/8	14-3/4	3
C4W07D047-30*2D0	47	30	15	34-5/8	41-1/4	16	20-3/4	4
C4W07D076-30*2D0	76	30	15	45-5/8	52-1/4	16	31-3/4	5
C4W07D115-30*2D0	115	30	15	60-5/8	67-1/4	18	46-3/4	6

*To complete Model Number insert L, P, G or M in place of asterisk.

All dimensions shown in inches unless otherwise specified. Dimensions which change with beam size are for minimum beam shown.

Work-Rated trolleys are adjustable for Standard I beam or WF beam, 4 inch to 11 inch flange width. Beam size must be specified. Trolleys are also available for 3.25 or 3.33" patented track beams. See **Accessories Section** for applications with flange width exceeding 11 inches.

All reference to beam flange widths are for clearance purposes only and do not imply that lower flange of beam will support hoist with load.

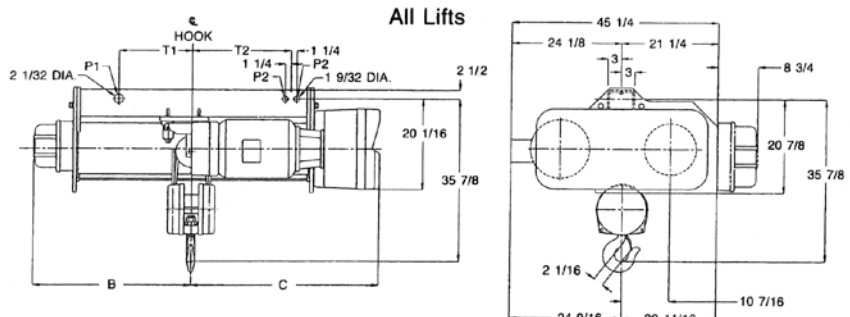
TROLLEY DATA:

SPEED	50 FPM	100 FPM
HP	1/2	1

All two speed trolley motors are 1800/600 RPM.
(a) Trolley Brake is available as optional equipment

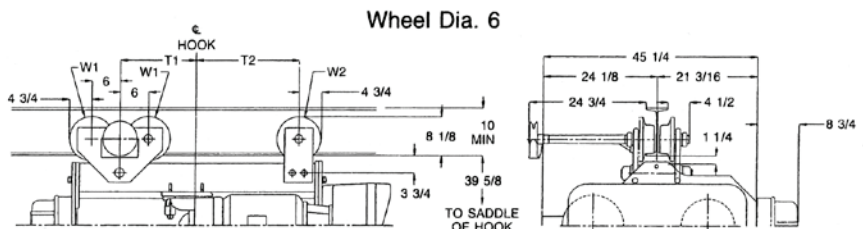
LUG MOUNTED

Lift (Ft)	Weight	Pin Load in Lbs. (Max)	
		P1	P2
20	1890	9662	3614
31	2010	8818	4096
47	2170	8980	4095
76	2460	10822	3319
115	2850	12084	2883



PLAIN OR GEARED TROLLEY

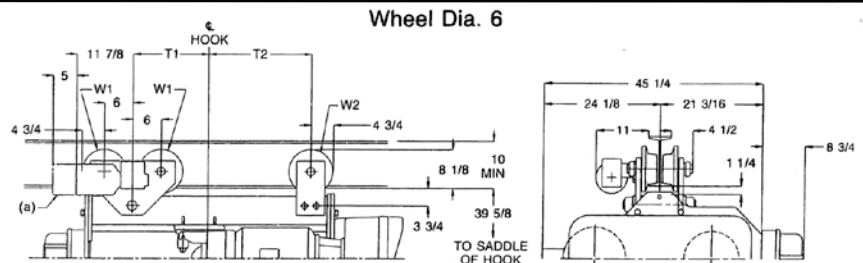
Lift (Ft)	Weight*	Wheel Load in Lbs. (Max)	
		PR.W1	PR.W2
20	2230	4951	7328
31	2350	4529	8292
47	2510	4610	8290
76	2800	5531	6738
115	3190	6162	5866



* Add 40 Lbs. for Geared Trolley.

MOTORIZED TROLLEY

Lift (Ft)	Weight	Wheel Load in Lbs. (Max)	
		PR.W1	PR.W2
20	2298	4985	7328
31	2418	4563	8292
47	2578	4644	8290
76	2868	5565	6738
115	3258	6196	5866



ACCO Acco Material Handling Solutions 800-967-7333 www.accomhs.com



Equipment described herein is not designed for, and should not be used for, lifting, supporting, or transporting humans. Modifications to upgrade, rerate, or otherwise alter the hoist or crane equipment shall be authorized only by the original manufacturer or qualified professional engineer. Failure to comply with any one of the limitations noted herein may result in serious bodily injury.

© 2012 ACCO Material Handling Solutions

WRIGHT®

Work-Rated®

THE NEW CENTURY SERIES®

Electric Wire Rope Hoists

Issued 06-01-12

Monorail Hoist
Series 35

2 Part Double Reeved
1/2 Diameter Rope

7 1/2 TON

For Pricing See Page 13m

MODEL NUMBER	Lift (Ft)	Lift Speed (FPM)	HP	B	C	Lug Mounted		Trolley Mounted		Drum
						T1	T2	T1	T2	
C5W07D024-44*2D0	24	44	20	24-1/2	32	6-1/2	11	31-5/8	17-3/8	2
C5W07D038-44*2D0	38	44	20	29	36-7/16	6	14-1/2	6	14-1/2	3
C5W07D057-44*2D0	57	44	20	35	42-7/16	8-1/2	20-1/2	8-1/2	20-1/2	4
C5W07D085-44*2D0	85	44	20	44	51-7/16	12-1/2	29-1/2	12-1/2	29-1/2	5
C5W07D124-44*2D0	124	44	20	56-1/2	64	19	42	19	42	6

*To complete Model Number insert L, P, G or M in place of asterick.

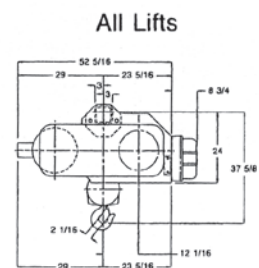
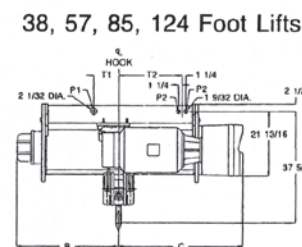
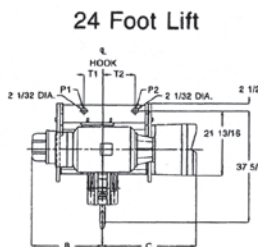
All dimensions shown in inches unless otherwise specified. Dimensions which change with beam size are for minimum beam shown.

Work-Rated trolleys are adjustable for Standard I beam or WF beam, 4 inch to 11 inch flange width. Beam size must be specified. Trolleys are also available for 3.25 or 3.33" patented track beams. See **Accessories Section** for applications with flange width exceeding 11 inches.

All reference to beam flange widths are for clearance purposes only and do not imply that lower flange of beam will support hoist with load.

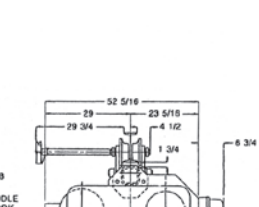
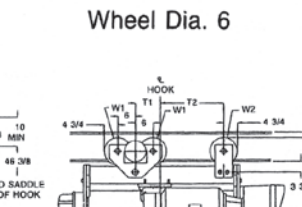
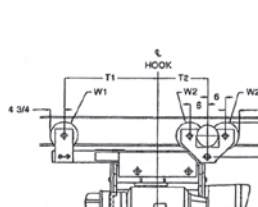
TROLLEY DATA:	SPEED	50 FPM	100 FPM	All two speed trolley motors are 1800/600 RPM.
	HP	1/2	1	(a) Trolley Brake is available as optional equipment

LUG MOUNTED			
Lift (Ft)	Weight	Pin Load in Lbs. (Max)	
		P1	P2
24	2440	9986	7454
38	2744	11600	3072
57	3018	11934	3042
85	3454	12328	3063
124	4110	12716	3197

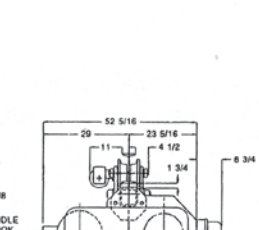
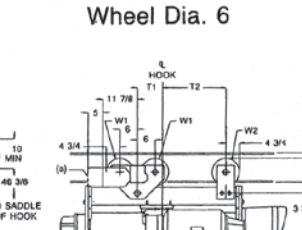
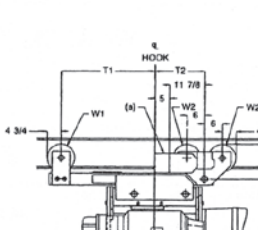


PLAIN OR GEARED TROLLEY			
Lift (Ft)	Weight*	Wheel Load in Lbs. (Max)	
		PR.W1	PR.W2
24	2982	6026	5978
38	3110	5927	6256
57	3384	6094	6196
85	3820	6291	6238
124	4476	6485	6506

* Add 40 Lbs. for Geared Trolley.



MOTORIZED TROLLEY			
Lift (Ft)	Weight	Wheel Load in Lbs. (Max)	
		PR.W1	PR.W2
24	3082	6026	6028
38	3210	5977	6256
57	3484	6144	6196
85	3920	6341	6238
124	4576	6535	6506



800-967-7333 www.accomhs.com



Equipment described herein is not designed for, and should not be used for, lifting, supporting, or transporting humans. Modifications to upgrade, rerate, or otherwise alter the hoist or crane equipment shall be authorized only by the original manufacturer or qualified professional engineer. Failure to comply with any one of the limitations noted herein may result in serious bodily injury.

© 2012 ACCO Material Handling Solutions

WRIGHT®
Work-Rated®

THE NEW CENTURY SERIES®

Electric Wire Rope Hoists

Issued 06-01-12

Monorail Hoist
Series 33

4 Part Double Reeved
3/8 Diameter Rope

10 TON

For Pricing See Page 14m

MODEL NUMBER	Lift (Ft)	Lift Speed (FPM)	HP	B	C	T1	T2	Drum
C3W10D022-15*4D0	22	15	10	33-1/8	35-5/8	9-1/8	20-7/8	4
C3W10D036-15*4D0	36	15	10	43-1/8	45-5/8	13-1/8	30-7/8	5
C3W10D054-15*4D0	54	15	10	55-5/8	58-1/8	20-5/8	43-3/8	6

*To complete Model Number insert L, P, G or M in place of asterisk.

All dimensions shown in inches unless otherwise specified. Dimensions which change with beam size are for minimum beam shown.

Work-Rated trolleys are adjustable for Standard I beam or WF beam, 4 inch to 11 inch flange width. Beam size must be specified. Trolleys are also available for 3.25 or 3.33" patented track beams. See **Accessories Section** for applications with flange width exceeding 11 inches.

All reference to beam flange widths are for clearance purposes only and do not imply that lower flange of beam will support hoist with load.

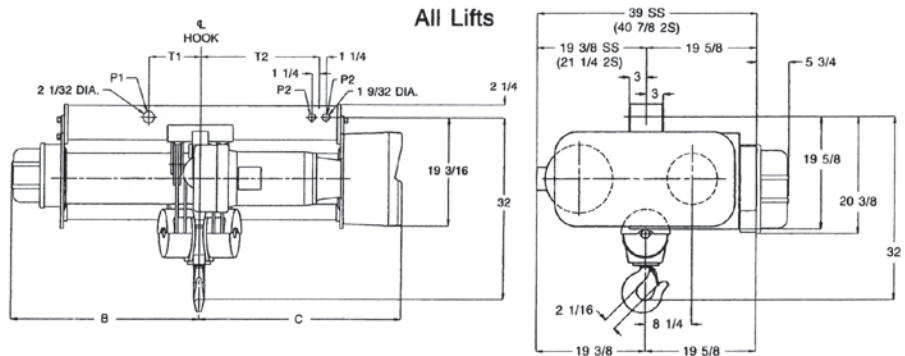
TROLLEY DATA:

SPEED	50 FPM	100 FPM
HP	1/2	1

All two speed trolley motors are 1800/600 RPM.
(a) Trolley Brake is available as optional equipment

LUG MOUNTED

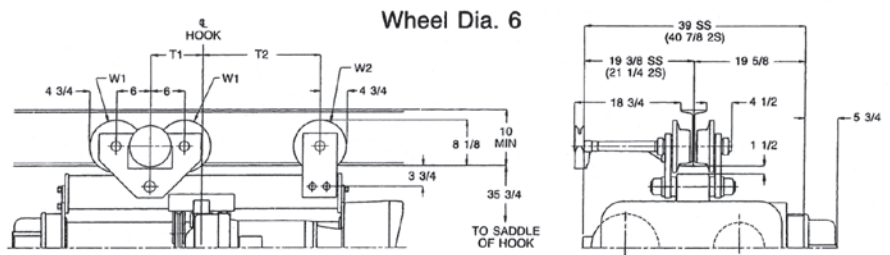
Lift (Ft)	Weight	Pin Load in Lbs. (Max)	
		P1	P2
22	1285	14425	3430
36	1465	14685	3390
54	1688	14341	3674



PLAIN OR GEARED TROLLEY

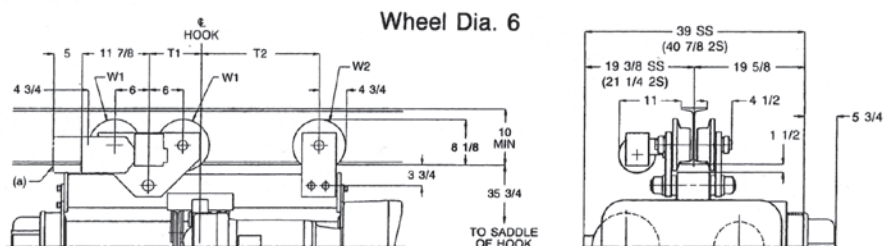
Lift (Ft)	Weight*	Wheel Load in Lbs. (Max)	
		PR.W1	PR.W2
22	1634	7330	6966
36	1814	7464	6886
54	2037	7292	7454

* Add 40 Lbs. for Geared Trolley.



MOTORIZED TROLLEY

Lift (Ft)	Weight	Wheel Load in Lbs. (Max)	
		PR.W1	PR.W2
22	1702	7364	6966
36	1882	7498	6886
54	2105	7326	7454



ACCO Acco Material Handling Solutions 800-967-7333 www.accomhs.com

WARNING

Equipment described herein is not designed for, and should not be used for, lifting, supporting, or transporting humans. Modifications to upgrade, rerate, or otherwise alter the hoist or crane equipment shall be authorized only by the original manufacturer or qualified professional engineer. Failure to comply with any one of the limitations noted herein may result in serious bodily injury.
© 2012 ACCO Material Handling Solutions

WRIGHT®
Work-Rated®
THE NEW CENTURY SERIES®

Monorail Hoist
Series 34

10 TON

4 Part Double Reeved
 1/2 Diameter Rope

Electric Wire Rope Hoists

Issued 06-01-12

For Pricing See Page 14m

MODEL NUMBER	Lift (Ft)	Lift Speed (FPM)	HP	B	C	T1	T2	Drum
C4W10D020-22*4D0	20	22	15	34-5/8	41-1/4	14	14	4
C4W10D035-22*4D0	35	22	15	45-5/8	52-1/4	24	24	5
C4W10D054-22*4D0	54	22	15	60-5/8	67-1/4	36	36	6

*To complete Model Number insert L, P, G or M in place of asterick.

All dimensions shown in inches unless otherwise specified. Dimensions which change with beam size are for minimum beam shown.

Work-Rated trolleys are adjustable for Standard I beam or WF beam, 4 inch to 11 inch flange width. Beam size must be specified. Trolleys are also available for 3.25 or 3.33" patented track beams. See **Accessories Section** for applications with flange width exceeding 11 inches.

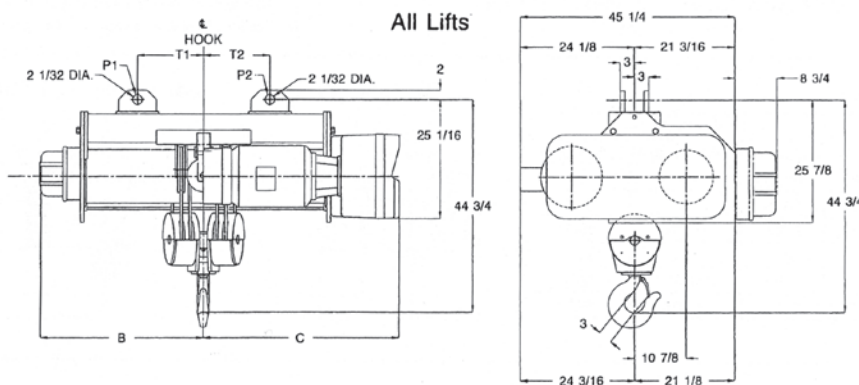
All reference to beam flange widths are for clearance purposes only and do not imply that lower flange of beam will support hoist with load.

TROLLEY DATA:

SPEED	50 FPM	100 FPM
HP	1/2	1

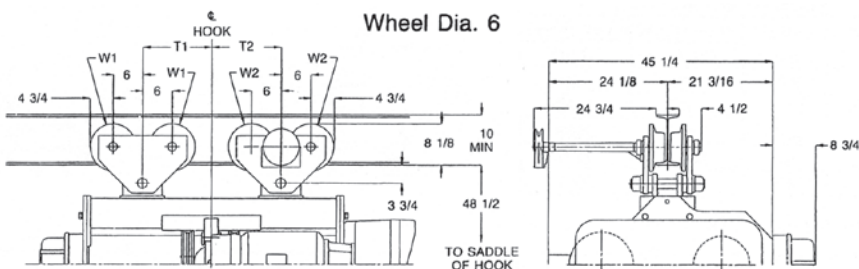
All two speed trolley motors are 1800/600 RPM.
 (a) Trolley Brake is available as optional equipment

LUG MOUNTED			
Lift (Ft)	Weight	Pin Load in Lbs. (Max)	
		P1	P2
20	2430	10271	12159
35	2750	10598	12152
54	3250	10903	12347

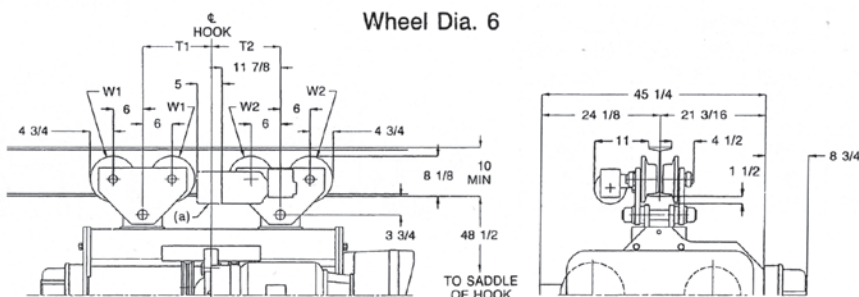


PLAIN OR GEARED TROLLEY			
Lift (Ft)	Weight*	Wheel Load in Lbs. (Max)	
		PR.W1	PR.W2
20	2910	5256	6200
35	3230	5419	6196
54	3730	5572	6294

* Add 40 Lbs. for Geared Trolley.



MOTORIZED TROLLEY			
Lift (Ft)	Weight	Wheel Load in Lbs. (Max)	
		PR.W1	PR.W2
20	2978	5256	6234
35	3298	5419	6230
54	3798	5572	6328



ACCO Acco Material Handling Solutions 800-967-7333 www.accomhs.com

WARNING

Equipment described herein is not designed for, and should not be used for, lifting, supporting, or transporting humans. Modifications to upgrade, rerate, or otherwise alter the hoist or crane equipment shall be authorized only by the original manufacturer or qualified professional engineer. Failure to comply with any one of the limitations noted herein may result in serious bodily injury.

© 2012 ACCO Material Handling Solutions

WRIGHT®
Work-Rated®

THE NEW CENTURY SERIES®

Electric Wire Rope Hoists

Issued 06-01-12

Monorail Hoist
Series 35

2 Part Double Reeved
1/2 Diameter Rope

10 TON

For Pricing See Page 14m

MODEL NUMBER	Lift (Ft)	Lift Speed (FPM)	HP	B	C	Lug Mounted		Trolley Mounted		Drum
						T1	T2	T1	T2	
C5W10D024-30*2D0	24	30	20	24-1/2	32	6-1/2	11	31-5/8	17-3/8	2
C5W10D038-30*2D0	38	30	20	29	36-7/16	6	14-1/2	6	14-1/2	3
C5W10D057-30*2D0	57	30	20	35	42-7/16	8-1/2	20-1/2	8-1/2	20-1/2	4
C5W10D085-30*2D0	85	30	20	44	51-7/16	12-1/2	29-1/2	12-1/2	29-1/2	5
C5W10D124-30*2D0	124	30	20	56-1/2	64	19	42	19	42	6

*To complete Model Number insert L, P, G or M in place of asterick.

All dimensions shown in inches unless otherwise specified. Dimensions which change with beam size are for minimum beam shown.

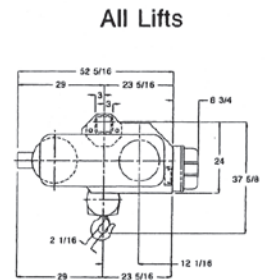
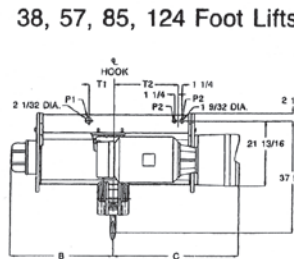
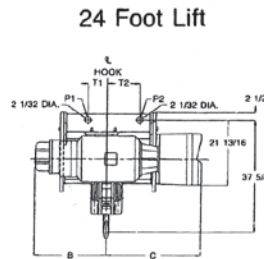
Work-Rated trolleys are adjustable for Standard I beam or WF beam, 4 inch to 11 inch flange width. Beam size must be specified. Trolleys are also available for 3.25 or 3.33" patented track beams. See **Accessories Section** for applications with flange width exceeding 11 inches.

All reference to beam flange widths are for clearance purposes only and do not imply that lower flange of beam will support hoist with load.

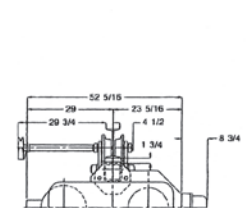
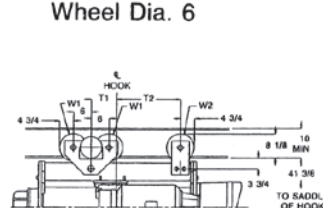
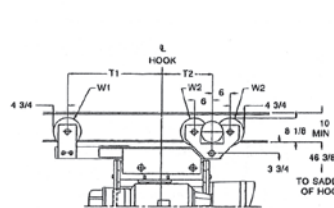
TROLLEY DATA: SPEED 50 FPM 100 FPM
HP 1/2 1

All two speed trolley motors are 1800/600 RPM.
(a) Trolley Brake is available as optional equipment

LUG MOUNTED			
Lift (Ft)	Weight	Pin Load in Lbs. (Max)	
		P1	P2
24	2440	13131	9309
38	2744	15136	3804
57	3018	15464	3777
85	3454	15840	3807
124	4110	16196	3957

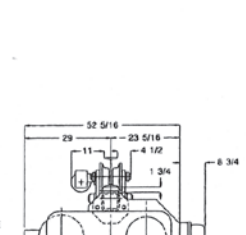
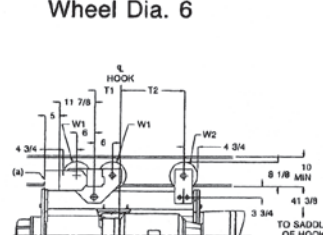
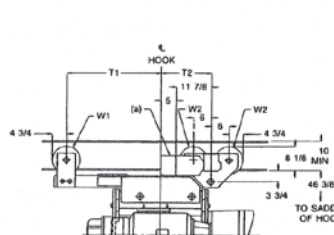


PLAIN OR GEARED TROLLEY			
Lift (Ft)	Weight*	Wheel Load in Lbs. (Max)	
		PR.W1	PR.W2
24	2982	7798	7592
38	3110	7695	7720
57	3384	7859	7666
85	3820	8047	7726
124	4476	8225	8026



* Add 40 Lbs. for Geared Trolley.

MOTORIZED TROLLEY			
Lift (Ft)	Weight	Wheel Load in Lbs. (Max)	
		PR.W1	PR.W2
24	3082	7798	7642
38	3210	7745	7720
57	3484	7909	7666
85	3920	8097	7726
124	4576	8275	8026



Acco Acco Material Handling Solutions 800-967-7333 www.accomhs.com

WARNING

Equipment described herein is not designed for, and should not be used for, lifting, supporting, or transporting humans. Modifications to upgrade, rerate, or otherwise alter the hoist or crane equipment shall be authorized only by the original manufacturer or qualified professional engineer. Failure to comply with any one of the limitations noted herein may result in serious bodily injury.

© 2012 ACCO Material Handling Solutions

WRIGHT®
Work-Rated®
THE NEW CENTURY SERIES®

Monorail Hoist
Series 34

15 TON

4 Part Double Reeved
 1/2 Diameter Rope

Electric Wire Rope Hoists

Issued 06-01-12

For Pricing See Page 15m

MODEL NUMBER	Lift (Ft)	Lift Speed (FPM)	HP	B	C	T1	T2	Drum
C4W15D020-15*4D0	20	15	15	34-5/8	41-1/4	14	14	4
C4W15D035-15*4D0	35	15	15	45-5/8	52-1/4	24	24	5
C4W15D054-15*4D0	54	15	15	60-5/8	67-1/4	36	36	6

*To complete Model Number insert L, P, G or M in place of asterick.

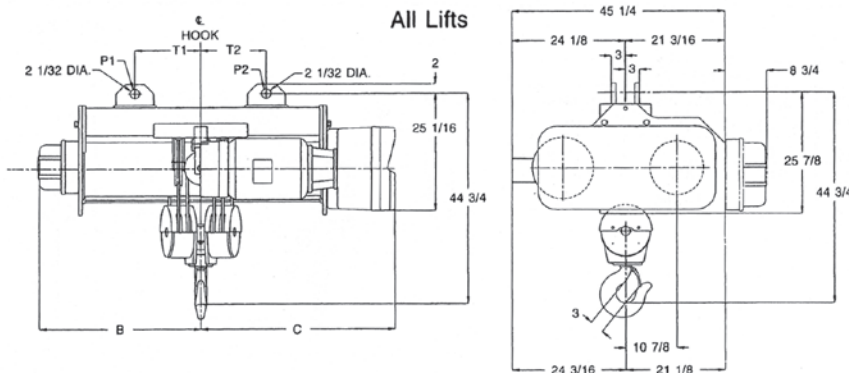
All dimensions shown in inches unless otherwise specified. Dimensions which change with beam size are for minimum beam shown.

Work-Rated trolleys are adjustable for Standard I beam or WF beam, 4 inch to 11 inch flange width. Beam size must be specified. Trolleys are also available for 3.25 or 3.33" patented track beams. See **Accessories Section** for applications with flange width exceeding 11 inches.

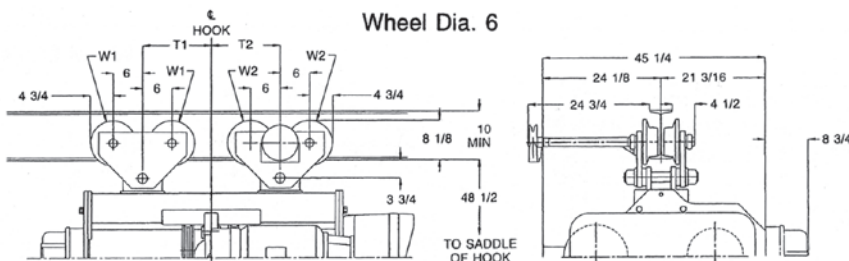
All reference to beam flange widths are for clearance purposes only and do not imply that lower flange of beam will support hoist with load.

TROLLEY DATA: SPEED 50 FPM 100 FPM All two speed trolley motors are 1800/600 RPM.
 HP 1 1 (2 REQUIRED) (a) Trolley Brake is available as optional equipment

LUG MOUNTED			
Lift (Ft)	Weight	Pin Load in Lbs. (Max)	
		P1	P2
20	2430	15271	17159
35	2750	15598	17152
54	3250	15903	17347

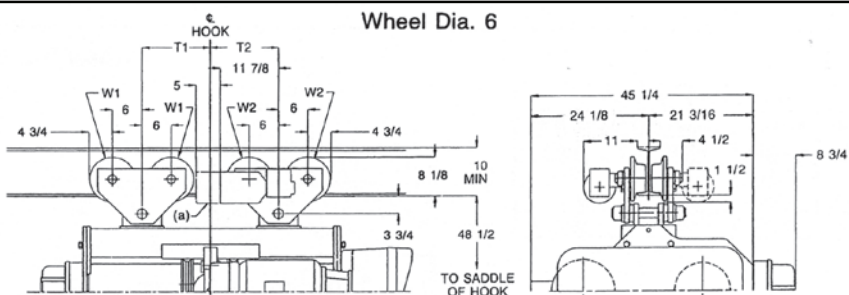


PLAIN OR GEARED TROLLEY			
Lift (Ft)	Weight*	Wheel Load in Lbs. (Max)	
		PR.W1	PR.W2
20	2910	7756	8700
35	3230	7919	8696
54	3730	8072	8794



* Add 40 Lbs. for Geared Trolley.

MOTORIZED TROLLEY			
Lift (Ft)	Weight	Wheel Load in Lbs. (Max)	
		PR.W1	PR.W2
20	2978	7756	8734
35	3298	7919	8730
54	3798	8072	8828



ACCO Acco Material Handling Solutions 800-967-7333 www.accomhs.com

WARNING

Equipment described herein is not designed for, and should not be used for, lifting, supporting, or transporting humans. Modifications to upgrade, rerate, or otherwise alter the hoist or crane equipment shall be authorized only by the original manufacturer or qualified professional engineer. Failure to comply with any one of the limitations noted herein may result in serious bodily injury.

© 2012 ACCO Material Handling Solutions

WRIGHT® Work-Rated®

THE NEW CENTURY SERIES®

Electric Wire Rope Hoists

Issued 06-01-12

Monorail Hoist Series 35

4 Part Double Reeved
1/2 Diameter Rope

15 TON

For Pricing See Page 15m

MODEL NUMBER	Lift (Ft)	Lift Speed (FPM)	HP	B	C	T1	T2	Drum
C5W15D024-22*4D0	24	22	20	34-7/8	42-7/16	14	14	4
C5W15D039-22*4D0	39	22	20	43-7/8	51-7/16	23	23	5
C5W15D058-22*4D0	58	22	20	56-3/8	64	32-1/2	32-1/2	6

*To complete Model Number insert L, P, G or M in place of asterisk.

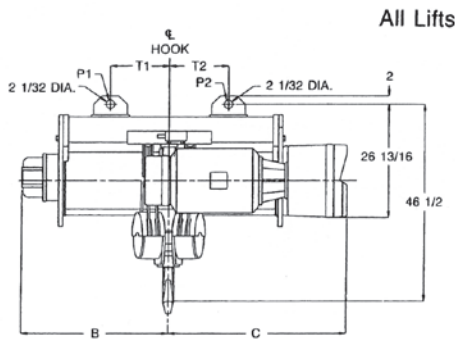
All dimensions shown in inches unless otherwise specified. Dimensions which change with beam size are for minimum beam shown.

Work-Rated trolleys are adjustable for Standard I beam or WF beam, 4 inch to 11 inch flange width. Beam size must be specified. Trolleys are also available for 3.25 or 3.33" patented track beams. See **Accessories Section** for applications with flange width exceeding 11 inches.

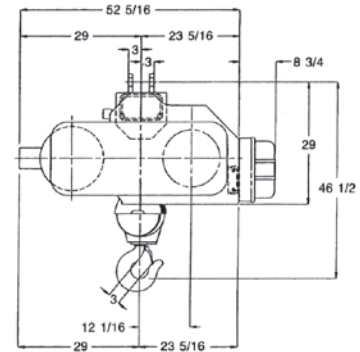
All reference to beam flange widths are for clearance purposes only and do not imply that lower flange of beam will support hoist with load.

TROLLEY DATA: SPEED 50 FPM 100 FPM All two speed trolley motors are 1800/600 RPM.
 HP 1 1 (2 REQUIRED) (a) Trolley Brake is available as optional equipment

LUG MOUNTED			
Lift (Ft)	Weight	Pin Load in Lbs. (Max)	
		P1	P2
24	3288	15814	17474
39	3796	16356	17440
58	4470	16848	17622

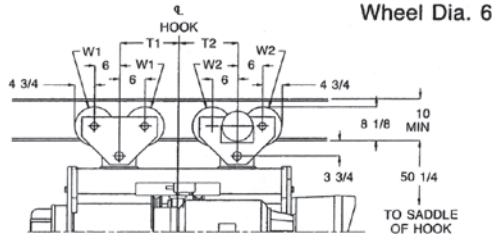


All Lifts

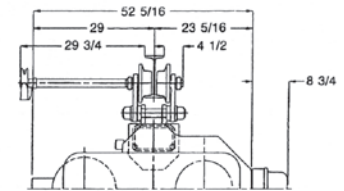


PLAIN OR GEARED TROLLEY			
Lift (Ft)	Weight*	Wheel Load in Lbs. (Max)	
		PR.W1	PR.W2
24	3796	8034	8864
39	4304	8305	8847
58	4978	8551	8938

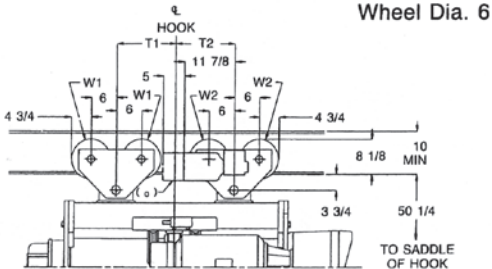
* Add 40 Lbs. for Geared Trolley.



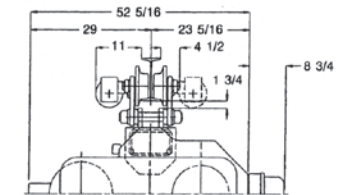
Wheel Dia. 6



MOTORIZED TROLLEY			
Lift (Ft)	Weight	Wheel Load in Lbs. (Max)	
		PR.W1	PR.W2
24	3896	8034	8914
39	4404	8305	8897
58	5078	8551	8988



Wheel Dia. 6



WRIGHT®
 Work-Rated®
 THE NEW CENTURY SERIES®

Monorail Hoist
Series 35

20 TON

4 Part Double Reeved
 1/2 Diameter Rope

Electric Wire Rope Hoists

Issued 06-01-12

For Pricing See Page 16m

MODEL NUMBER	Lift (Ft)	Lift Speed (FPM)	HP	B	C	T1	T2	Drum
C5W20D024-15*4D0	24	15	20	34-7/8	42-7/16	14	14	4
C5W20D039-15*4D0	39	15	20	43-7/8	51-7/16	23	23	5
C5W20D058-15*4D0	58	15	20	56-3/8	64	32-1/2	32-1/2	6

*To complete Model Number insert L, P, G or M in place of asterick.

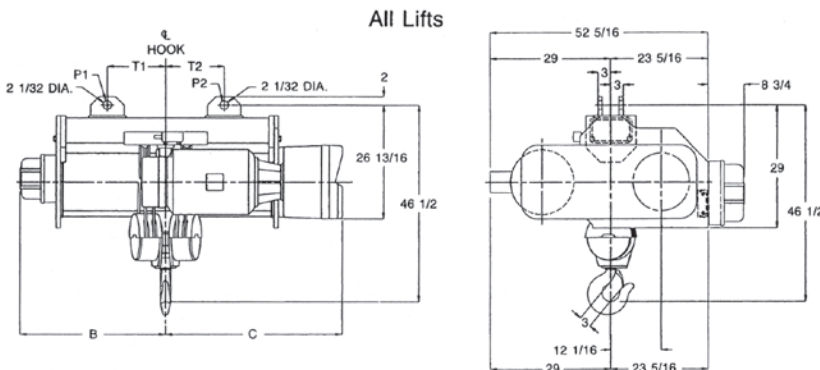
All dimensions shown in inches unless otherwise specified. Dimensions which change with beam size are for minimum beam shown.

Work-Rated trolleys are adjustable for Standard I beam or WF beam, 4 inch to 11 inch flange width. Beam size must be specified. Trolleys are also available for 3.25 or 3.33" patented track beams. See **Accessories Section** for applications with flange width exceeding 11 inches.

All reference to beam flange widths are for clearance purposes only and do not imply that lower flange of beam will support hoist with load.

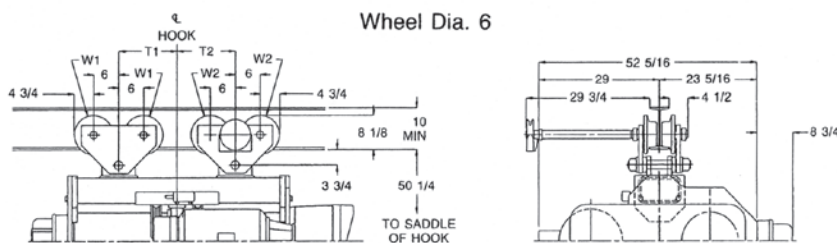
TROLLEY DATA: SPEED 50 FPM 100 FPM All two speed trolley motors are 1800/600 RPM.
 HP 1 1 (2 REQUIRED) (a) Trolley Brake is available as optional equipment

LUG MOUNTED			
Lift (Ft)	Weight	Pin Load in Lbs. (Max)	
		P1	P2
24	3288	20814	22474
39	3796	21356	22440
58	4470	21848	22622

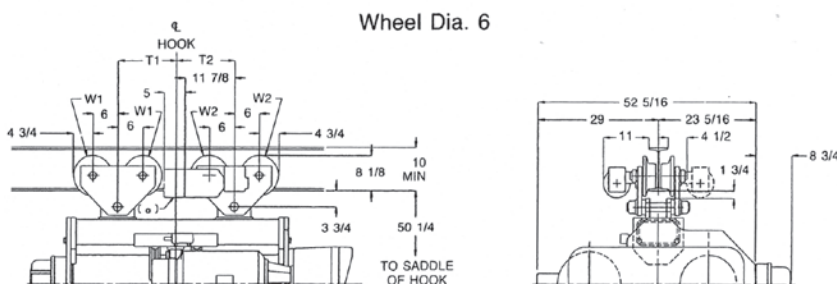


PLAIN OR GEARED TROLLEY			
Lift (Ft)	Weight*	Wheel Load in Lbs. (Max)	
		PR.W1	PR.W2
24	3796	10534	11364
39	4304	10805	11347
58	4978	11051	11438

* Add 40 Lbs. for Geared Trolley.



MOTORIZED TROLLEY			
Lift (Ft)	Weight	Wheel Load in Lbs. (Max)	
		PR.W1	PR.W2
24	3896	10534	11414
39	4404	10805	11397
58	5078	11051	11488



ACCO Acco Material Handling Solutions 800-967-7333 www.accomhs.com

WARNING

Equipment described herein is not designed for, and should not be used for, lifting, supporting, or transporting humans. Modifications to upgrade, rerate, or otherwise alter the hoist or crane equipment shall be authorized only by the original manufacturer or qualified professional engineer. Failure to comply with any one of the limitations noted herein may result in serious bodily injury.

© 2012 ACCO Material Handling Solutions

WRIGHT®

Work-Rated®

THE NEW CENTURY SERIES®

Monorail Hoist Series 35

4 Part Double Reeved
9/16 Diameter Rope

25 TON

Electric Wire Rope Hoists

Issued 06-01-12

For Pricing See Page 17m

MODEL NUMBER	Lift (Ft)	Lift Speed (FPM)	HP	B	C	T1	T2	Drum
C5W25D020-12L4D0	20	12	20	35-7/8	43-1/4	19-11/16	19-11/16	4
C5W25D032-12*4D0	32	12	20	44-7/8	52-1/4	24-9/16	27-7/16	5
C5W25D048-12*4D0	48	12	20	57-3/8	64-3/4	24-9/16	27-7/16	6

*To complete Model Number insert L, P or M in place of asterick.

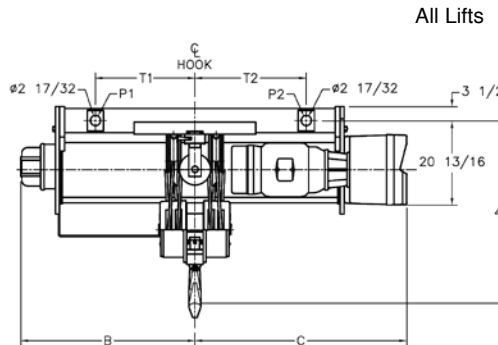
All dimensions shown in inches unless otherwise specified. Dimensions which change with beam size are for minimum beam shown.

Work-Rated trolleys are adjustable for Standard I beam or WF beam, 4 inch to 11 inch flange width. Beam size must be specified. Trolleys are also available for 3.25 or 3.33" patented track beams. See **Accessories Section** for applications with flange width exceeding 11 inches.

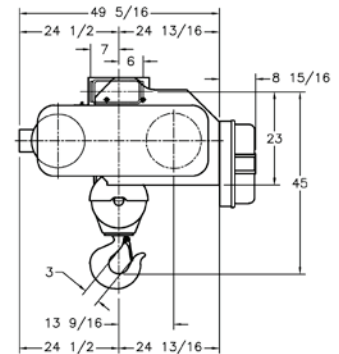
All reference to beam flange widths are for clearance purposes only and do not imply that lower flange of beam will support hoist with load.

TROLLEY DATA: SPEED 50 FPM 100 FPM All two speed trolley motors are 1800/600 RPM.
 HP 1/2 (2 REQUIRED) 1 (2 REQUIRED) (a) Trolley Brake is available as optional equipment

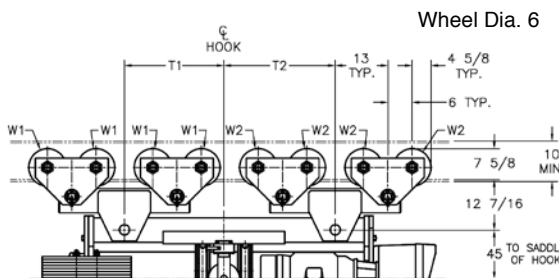
LUG MOUNTED			
Lift (Ft)	Weight	Pin Load in Lbs. (Max)	
		P1	P2
20	3680	25927	27753
32	4027	27956	26071
48	4522	28141	26381



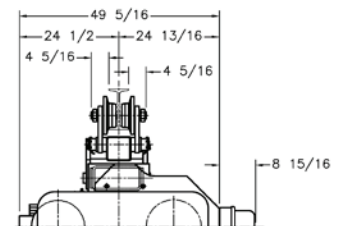
All Lifts



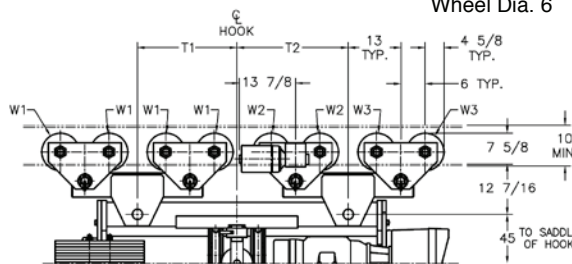
PLAIN TROLLEY			
Lift (Ft)	Weight*	Wheel Load in Lbs. (Max)	
		PR.W1	PR.W2
32	6042	7357	6653
48	6826	7548	6658



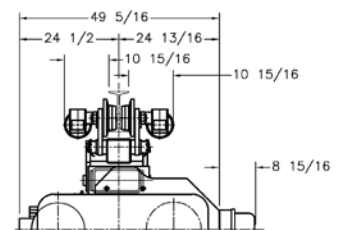
Wheel Dia. 6



MOTORIZED TROLLEY				
Lift (Ft)	Weight	Wheel Load in Lbs. (Max)		
		PR.W1	PR.W2	PR.W3
32	6142	7357	6703	6653
48	6926	7548	6708	6658



Wheel Dia. 6



800-967-7333 www.accomhs.com



Equipment described herein is not designed for, and should not be used for, lifting, supporting, or transporting humans. Modifications to upgrade, rerate, or otherwise alter the hoist or crane equipment shall be authorized only by the original manufacturer or qualified professional engineer. Failure to comply with any one of the limitations noted herein may result in serious bodily injury.

© 2012 ACCO Material Handling Solutions

WRIGHT®
Work-Rated®

THE NEW CENTURY SERIES®

Electric Wire Rope Hoists

Issued 06-01-12

Monorail Hoist
CLOSE HEADROOM CROSS MOUNTED

1 TO 10 TON

Features & Benefits

Wright family of *Work-Rated* hoists is a complete line of electric wire rope hoists. It is an advanced design incorporating the most recent materials and concept. The most current duty cycle and safety requirements of users are built into this line, not added on.

CONSTRUCTION FEATURES:

CONTROLS: Choose from single, 2-speed, or inverter. Controls are magnetic reversing type, mechanically and electrically interlocked with 115 volt control circuit. All wiring conforms to applicable NEC requirements. Motor thermostats are standard providing motor running overcurrent protection. NEMA Type 3R enclosures are standard. Cover is lightweight, tough ABS material, deep-drawn for maximum control accessibility.

PUSH BUTTON STATION: Push button stations are not furnished as standard equipment with these hoists. Push button station drop of cord & strain chain are available as optional equipment. See Accessories Section. Specify required drop.

MOTOR: Standard NEMA C face mounting, TENV, Class F insulation, 30-minute duty motor is provided for standard commercial power supplies. The motor has a standard NEMA shaft extension.

GEAR TRAIN: Quiet, helical and spur gearing. All gears are machine cut, case-hardened alloy steel with shock-resistant ductile cores. Gearing is designed to AGMA standards for maximum life, and operates in an oil bath. Rugged aluminum alloy housing provides rapid heat dissipation.

BEARINGS - SPIDER RETAINERS: Precision heavy-duty ball bearings support all shafts. All bearings are either splash lubricated, or lifetime pre-lubricated and sealed. Bearings at outboard end of shafts are held in place by heavy-duty Spider Retainers. This allows removal of Gear Housing Cover for inspection (after draining oil). All internal parts remain in place and can be operated for inspection.

DRUM: The large diameter steel drum has machined grooves and large flanges. At least two full turns of rope remain on the drum at the lowest hook position of rated lift.

LOAD BLOCK - HOOK: Drop forged heat-treated steel hook swivels 360° on a shielded roller thrust bearing and comes equipped with a spring latch. Work can be performed on the load block without removing wire rope from drum. Sheaves are machined steel.

WIRE ROPE: Pre-formed wire rope, of hoisting service construction, made of extra improved plow steel (XIP) with an independent wire rope center. Has swaged fittings on both ends for ease of replacement if necessary.

MECHANICAL LOAD BRAKE: Automatic Weston-type multiple disc brake can hold a full capacity load independent of motor brake. This brake assures that load does not accelerate while being lowered. No wear compensation adjustment is required.

MOTOR BRAKE: Proven in millions of hours of in-service operation, the original *Wright* rectified D-C magnet-actuated disc brake delivers rapid stops with virtually no hook drift. Rated a minimum of 150% of full load motor torque. Exclusive brake-sensing microswitch prevents motor from operating against engaged brake and when brake requires adjustment.

LIMIT SWITCH: A gravity-type upper hook travel limit switch is provided. The unit is equipped with an automatic momentary lowering circuit. An optional geared limit switch is also available.

OVERLOAD CUTOFF: Exclusive patented ACCO unit is standard on all *Work-Rated* hoists except single-line models. The overload limiting device shall be designed to permit operation of the hoist within its rated load and to limit the amount of overload that can be lifted by a properly maintained hoist, under normal operating conditions.

The overload limiting device may allow the lifting of an overload, but shall be designed to prevent the lifting of an overload of such magnitude that could cause damage to a hoist, trolley, or supports. This does not imply that any overload is to be intentionally applied to the hoist.

The overload limiting device is an emergency device and shall not be used to measure the maximum load to be lifted and shall not be used to sense the overload imposed by the constrained load.

TROLLEY FRAME: The trolley frame shall be built of steel and precision machined to assure proper alignment of trolley wheels and drives.

TROLLEY WHEELS: Trolley wheels shall have tread surfaces machined and hardened to 375-425 Brinell. Each wheel shall be supported on anti-friction bearings suitable to take radial and thrust loads. The wheels shall be lubricated at the factory with a sodium base grease. The trolley wheels have dual tread for operation on tapered or flat flange beams. Wheel treads shall be smooth, true and uniform within .010 inch tread diameter on all wheels.

TROLLEY DRIVE: The trolley drive shall be a right angle worm gear reducer fully enclosed with a steel worm and bronze worm wheel designed to AGMA standards. The final reduction gear reduction at trolley wheels will be spur gears and will be open. The trolley drive motor shall be TENV 30 minute duty with class F insulation and NEMA C face mounting. A spring set A.C. disc type brake is available as optional equipment.

TROLLEY CONTROLS: Choose from single, 2-speed, or inverter. Single and 2-speed controls are available with ACM solid state cushion start for smooth travel motion and excellent load control as optional equipment.



800-967-7333 www.accomhs.com



Equipment described herein is not designed for, and should not be used for, lifting, supporting, or transporting humans. Modifications to upgrade, rerate, or otherwise alter the hoist or crane equipment shall be authorized only by the original manufacturer or qualified professional engineer. Failure to comply with any one of the limitations noted herein may result in serious bodily injury.
© 2012 ACCO Material Handling Solutions

WRIGHT®
Work-Rated®

Monorail Hoist
CLOSE HEADROOM CROSS MOUNTED

1 TO 10 TON

THE NEW CENTURY SERIES®

Features & Benefits

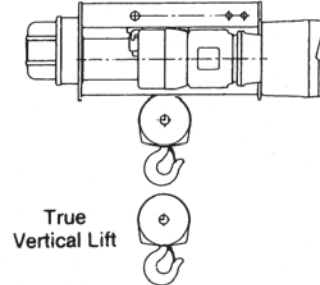
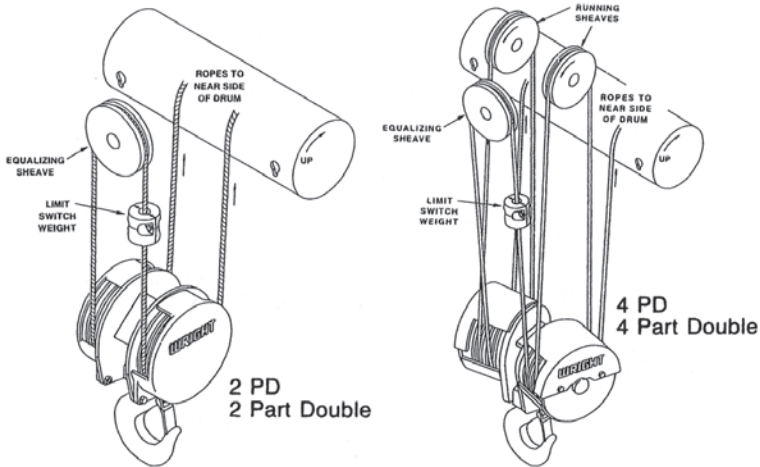
Electric Wire Rope Hoists

Issued 06-01-12

HOW TO SPECIFY A *Work-Rated* HOIST

1. DETERMINE THE CAPACITY, LIFTING SPEED AND LIFTING DISTANCE.

2. DETERMINE THE REEVING REQUIRED FOR YOUR APPLICATION. *Work-Rated* hoists may be reeved in various ways to gain desired mechanical advantages ... capacity, lifting distance, and lifting speeds.



3. SPECIFY PROPER MODEL NUMBER in regard to hoist. Capacity, lifting speed, mounting and hoist control found in the following pages.

4. SPECIFY MOTOR VOLTAGE: *Wright* standard motors are available in 200/230/460/575-3-60 power with Class F insulation, and are totally enclosed non-ventilated. Control is furnished as standard equipment. Additional motor and control accessories are found in the Accessories Section.

5. SPECIFY BEAM FLANGE WIDTH: *Work-Rated* trolleys are adjustable for Standard I beam or WF beam, 4 inch to 11 inch flange width. *Beam size must be specified.* Trolleys are also available for 3.25 or 3.33" patented track beams. Trolleys for WF beams with flange widths greater than 11 inches available. See Accessories. All reference to beam flange widths are for clearance purposes only and do not imply that lower flange of beam will support hoist with load.

6. SPECIFY OTHER MODIFICATIONS AND ACCESSORIES.

7. SPECIAL APPLICATION HOISTS: Contact your nearest *Wright* representative.

8. FOR CURVED TRACK APPLICATION, CONTACT FACTORY.

9. ACCO RESERVES THE RIGHT TO MAKE CHANGES TO THIS CATALOG AS MAY BE DEEMED NECESSARY.

ACCO Acco Material Handling Solutions 800-967-7333 www.accomhs.com

WARNING

Equipment described herein is not designed for, and should not be used for, lifting, supporting, or transporting humans. Modifications to upgrade, rerate, or otherwise alter the hoist or crane equipment shall be authorized only by the original manufacturer or qualified professional engineer. Failure to comply with any one of the limitations noted herein may result in serious bodily injury.
© 2012 ACCO Material Handling Solutions



THE NEW CENTURY SERIES®

Electric Wire Rope Hoists

Issued 06-01-12

**Monorail Hoist
CLOSE HEADROOM CROSS MOUNTED**

Series 32

2 Part Double Reeved
3/8 Diameter Rope

1 TON

For Pricing See Page 1x

MODEL NUMBER	Lift (Ft)	Single Speed			Two Speed			C	Drum
		FPM	B	HP	FPM	B	HP		
X2W01D020-15*2D0	20	15	31-3/4	3	15 / 5	34-5/8	3 / 1	25-7/8	4
X2W01D036-15*2D0	36	15	39-1/4	3	15 / 5	42-1/8	3 / 1	33-3/8	6
X2W01D060-15*2D0	60	15	50-3/8	3	15 / 5	53-1/4	3 / 1	44-1/2	7
X2W01D020-22*2D0	20	22	33-1/8	3	22 / 7	37-1/8	5 / 1.67	25-7/8	4
X2W01D036-22*2D0	36	22	40-5/8	3	22 / 7	44-5/8	5 / 1.67	33-3/8	6
X2W01D060-22*2D0	60	22	51-3/4	3	22 / 7	55-3/4	5 / 1.67	44-1/2	7
X2W01D020-30*2D0	20	30	33-1/8	3	30 / 10	37-1/8	5 / 1.67	25-7/8	4
X2W01D036-30*2D0	36	30	40-5/8	3	30 / 10	44-5/8	5 / 1.67	33-3/8	6
X2W01D060-30*2D0	60	30	51-3/4	3	30 / 10	55-3/4	5 / 1.67	44-1/2	7

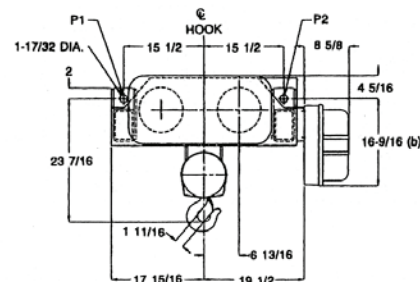
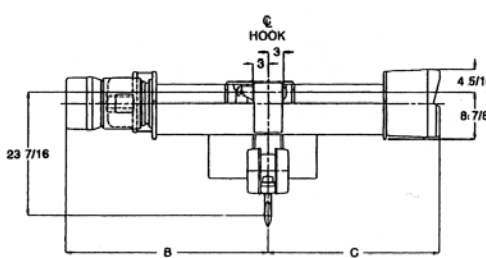
All dimensions shown in inches unless otherwise specified. Dimensions which change with beam size are for minimum beam shown. Speedway trolleys are adjustable for Standard I beam or WF beam, 4 inch to 11 inch flange width. Beam size must be specified. Trolleys are also available for 3.25 or 3.33" patented track beams. See **Accessories Section** for applications with flange width exceeding 11 inches. All reference to beam flange widths are for clearance purposes only and do not imply that lower flange of beam will support hoist with load.

TROLLEY DATA:

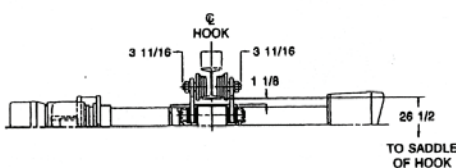
Speed	50 FPM	100 FPM
HP	1/2	1/2

All Lifts

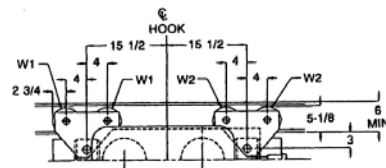
LUG MOUNTED			
Lift (Ft)	Weight	Pin Load in Lbs. (Max)	
		P1	P2
20	1090	1492	1598
36	1223	1493	1730
60	1423	1528	1895



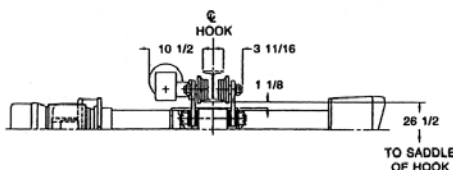
PLAIN TROLLEY			
Lift (Ft)	Weight	Wheel Load in Lbs. (Max)	
		PR.W1	PR.W2
20	1282	794	847
36	1414	794	913
60	1614	812	995



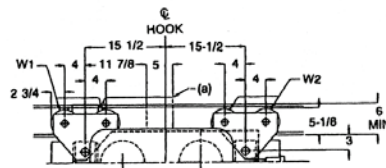
Wheel Dia. 4



MOTORIZED TROLLEY			
Lift (Ft)	Weight	Wheel Load in Lbs. (Max)	
		PR.W1	PR.W2
20	1348	827	847
36	1480	827	913
60	1680	845	995



Wheel Dia. 4



800-967-7333 www.accomhs.com



Equipment described herein is not designed for, and should not be used for, lifting, supporting, or transporting humans. Modifications to upgrade, rerate, or otherwise alter the hoist or crane equipment shall be authorized only by the original manufacturer or qualified professional engineer. Failure to comply with any one of the limitations noted herein may result in serious bodily injury.
© 2012 ACCO Material Handling Solutions

WRIGHT®

Work-Rated®

Monorail Hoist CLOSE HEADROOM CROSS MOUNTED Series 33

1 TON

THE NEW CENTURY SERIES®

2 Part Double Reeved
3/8 Diameter Rope

Electric Wire Rope Hoists

Issued 06-01-12

For Pricing See Page 1x

MODEL NUMBER	Lift (Ft)	Single Speed			Two Speed			C	Drum
		FPM	B	HP	FPM	B	HP		
X3W01D020-44*2D0	20	44	32-1/2	7-1/2	44 / 15	36-1/4	7.5 / 2.5	23-5/8	2
X3W01D036-44*2D0	36	44	38	7-1/2	44 / 15	41-3/4	7.5 / 2.5	29-1/8	3
X3W01D054-44*2D0	54	44	44-1/2	7-1/2	44 / 15	48-1/4	7.5 / 2.5	35-5/8	4
X3W01D082-44*2D0	82	44	54-1/2	7-1/2	44 / 15	58-1/4	7.5 / 2.5	45-5/8	5

All dimensions shown in inches unless otherwise specified. Dimensions which change with beam size are for minimum beam shown. Speedway trolleys are adjustable for Standard I beam or WF beam, 4 inch to 11 inch flange width (10-1/2 inches max. on 20 Ft. lift model). Beam size must be specified. Trolleys are also available for 3.25 or 3.33" patented track beams. See **Accessories Section** for applications with flange width exceeding 11 inches. All reference to beam flange widths are for clearance purposes only and do not imply that lower flange of beam will support hoist with load.

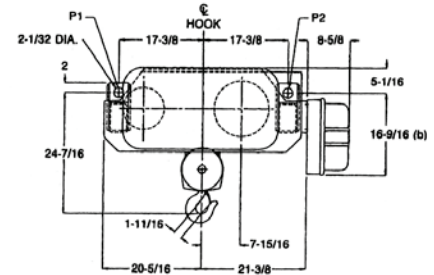
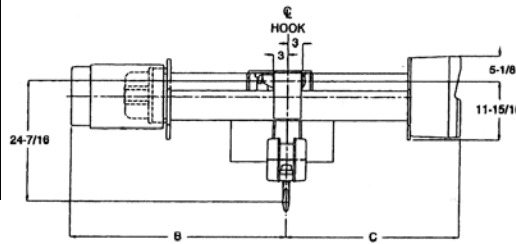
TROLLEY DATA:

Speed	50 FPM	100 FPM
HP	1/2	1/2

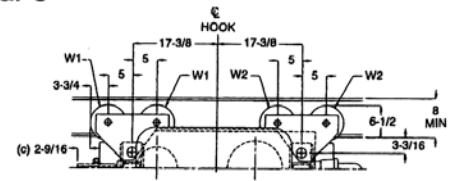
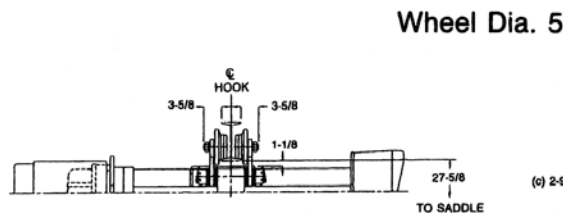
All two speed trolley motors are 1800/600 RPM
 (a) Trolley Brake is available as optional equipment.
 (b) Dimension to bottom of control box increases from 16-9/16" to 22-9/16" when trolley is furnished with ACM or hoist with two speed 10 horsepower-200 volt control.
 (c) Counterweight protection exists on drum number 2 trolley hoist only.

All Lifts

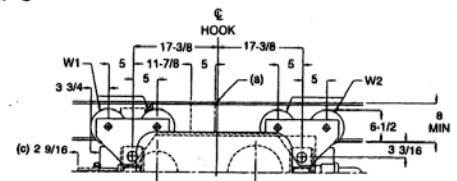
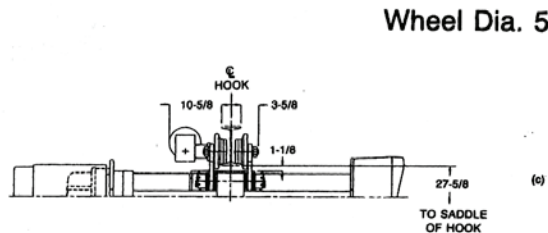
LUG MOUNTED			
Lift (Ft)	Weight	Pin Load in Lbs. (Max)	
		P1	P2
20	1439	1699	1740
36	1561	1730	1831
54	1705	1761	1944
82	1946	1784	2162



PLAIN TROLLEY			
Lift (Ft)	Weight	Wheel Load in Lbs. (Max)	
		PR.W1	PR.W2
20	1740	925	945
36	1862	940	991
54	2006	956	1047
82	2246	967	1156



MOTORIZED TROLLEY			
Lift (Ft)	Weight	Wheel Load in Lbs. (Max)	
		PR.W1	PR.W2
20	1806	958	945
36	1928	973	991
54	2072	989	1047
82	2312	1000	1156



Equipment described herein is not designed for, and should not be used for, lifting, supporting, or transporting humans. Modifications to upgrade, rerate, or otherwise alter the hoist or crane equipment shall be authorized only by the original manufacturer or qualified professional engineer. Failure to comply with any one of the limitations noted herein may result in serious bodily injury.
 © 2012 ACCO Material Handling Solutions

WRIGHT®
Work-Rated®

THE NEW CENTURY SERIES®

Electric Wire Rope Hoists

Issued 06-01-12

Monorail Hoist
CLOSE HEADROOM CROSS MOUNTED

Series 32

2 Part Double Reeved
3/8 Diameter Rope

2 TON

For Pricing See Page 2x

MODEL NUMBER	Lift (Ft)	Single Speed			Two Speed			C	Drum
		FPM	B	HP	FPM	B	HP		
X2W02D020-15*2D0	20	15	31-3/4	3	15 / 5	34-5/8	3 / 1	25-7/8	4
X2W02D036-15*2D0	36	15	39-1/4	3	15 / 5	42-1/8	3 / 1	33-3/8	6
X2W02D060-15*2D0	60	15	50-3/8	3	15 / 5	53-1/4	3 / 1	44-1/2	7
X2W02D020-22*2D0	20	22	31-3/4	3	22 / 7	34-5/8	3 / 1	25-7/8	4
X2W02D036-22*2D0	36	22	39-1/4	3	22 / 7	42-1/8	3 / 1	33-3/8	6
X2W02D060-22*2D0	60	22	50-3/8	3	22 / 7	53-1/4	3 / 1	44-1/2	7
X2W02D020-30*2D0	20	30	33-1/8	5	30 / 10	37-1/8	5 / 1.67	25-7/8	4
X2W02D036-30*2D0	36	30	40-5/8	5	30 / 10	44-5/8	5 / 1.67	33-3/8	6
X2W02D060-30*2D0	60	30	51-3/4	5	30 / 10	55-3/4	5 / 1.67	44-1/2	7

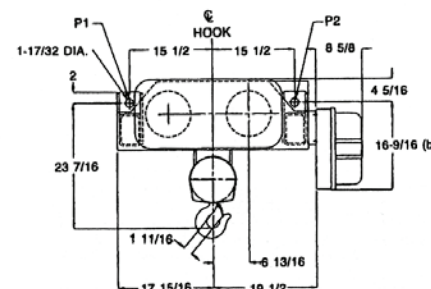
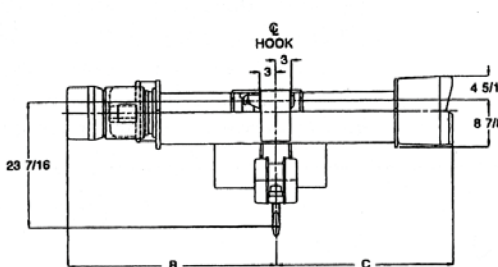
All dimensions shown in inches unless otherwise specified. Dimensions which change with beam size are for minimum beam shown. Speedway trolleys are adjustable for Standard I beam or WF beam, 4 inch to 11 inch flange width. Beam size must be specified. Trolleys are also available for 3.25 or 3.33" patented track beams. See **Accessories Section** for applications with flange width exceeding 11 inches. All reference to beam flange widths are for clearance purposes only and do not imply that lower flange of beam will support hoist with load.

TROLLEY DATA: Speed 50 FPM 100 FPM
HP 1/2 1/2

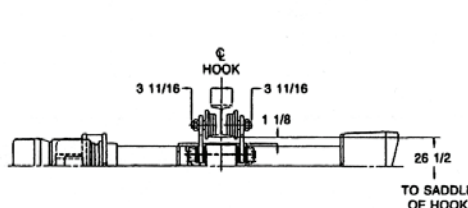
All two speed trolley motors are 1800/600 RPM
(a) Trolley Brake is available as optional equipment.
(b) Dimension to bottom of control box increases from 16-9/16" to 22-9/16" when trolley is furnished with ACM.

All Lifts

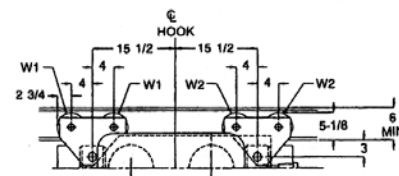
LUG MOUNTED			
Lift (Ft)	Weight	Pin Load in Lbs. (Max)	
		P1	P2
20	1090	2492	2598
36	1223	2493	2730
60	1423	2528	2895



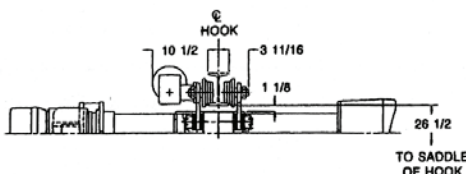
PLAIN TROLLEY			
Lift (Ft)	Weight	Wheel Load in Lbs. (Max)	
		PR.W1	PR.W2
20	1282	1294	1347
36	1414	1294	1413
60	1614	1312	1495



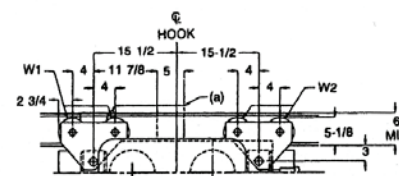
Wheel Dia. 4



MOTORIZED TROLLEY			
Lift (Ft)	Weight	Wheel Load in Lbs. (Max)	
		PR.W1	PR.W2
20	1348	1327	1347
36	1480	1327	1413
60	1680	1345	1495



Wheel Dia. 4



ACCO Acco Material Handling Solutions 800-967-7333 www.accomhs.com

WARNING

Equipment described herein is not designed for, and should not be used for, lifting, supporting, or transporting humans. Modifications to upgrade, rerate, or otherwise alter the hoist or crane equipment shall be authorized only by the original manufacturer or qualified professional engineer. Failure to comply with any one of the limitations noted herein may result in serious bodily injury.
© 2012 ACCO Material Handling Solutions



Monorail Hoist CLOSE HEADROOM CROSS MOUNTED Series 33

2 TON

THE NEW CENTURY SERIES®

Electric Wire Rope Hoists

Issued 06-01-12

2 Part Double Reeved
3/8 Diameter Rope

For Pricing See Page 2x

MODEL NUMBER	Lift (Ft)	Single Speed			Two Speed			C	Drum
		FPM	B	HP	FPM	B	HP		
X3W02D020-44*2D0	20	44	32-1/2	7-1/2	44 / 15	36-1/4	7.5 / 2.5	23-5/8	2
X3W02D036-44*2D0	36	44	38	7-1/2	44 / 15	41-3/4	7.5 / 2.5	29-1/8	3
X3W02D054-44*2D0	54	44	44-1/2	7-1/2	44 / 15	48-1/4	7.5 / 2.5	35-5/8	4
X3W02D082-44*2D0	82	44	54-1/2	7-1/2	44 / 15	58-1/4	7.5 / 2.5	45-5/8	5

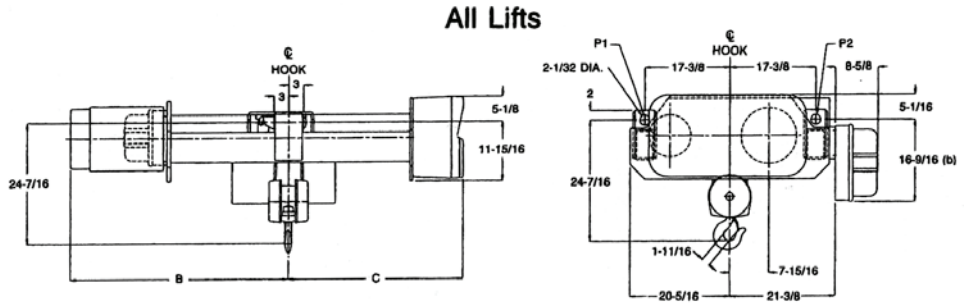
All dimensions shown in inches unless otherwise specified. Dimensions which change with beam size are for minimum beam shown. Speedway trolleys are adjustable for Standard I beam or WF beam, 4 inch to 11 inch flange width (10-1/2 inches max. on 20 Ft. lift model). Beam size must be specified. Trolleys are also available for 3.25 or 3.33" patented track beams. See **Accessories Section** for applications with flange width exceeding 11 inches. All reference to beam flange widths are for clearance purposes only and do not imply that lower flange of beam will support hoist with load.

TROLLEY DATA:

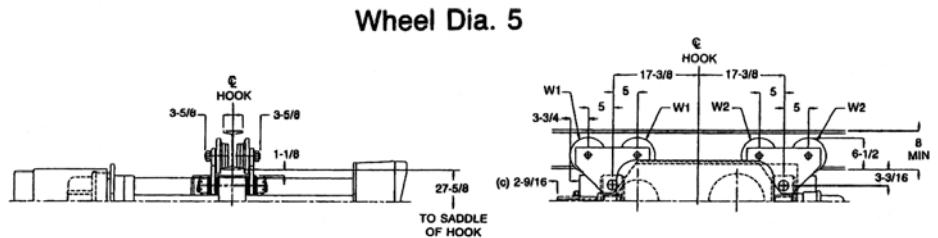
Speed	50 FPM	100 FPM
HP	1/2	1/2

- All two speed trolley motors are 1800/600 RPM
- (a) Trolley Brake is available as optional equipment.
 - (b) Dimension to bottom of control box increases from 16-9/16" to 22-9/16" when trolley is furnished with ACM or hoist with two speed 10 horsepower-200 volt control.
 - (c) Counterweight protection exists on drum number 2 trolley hoist only.

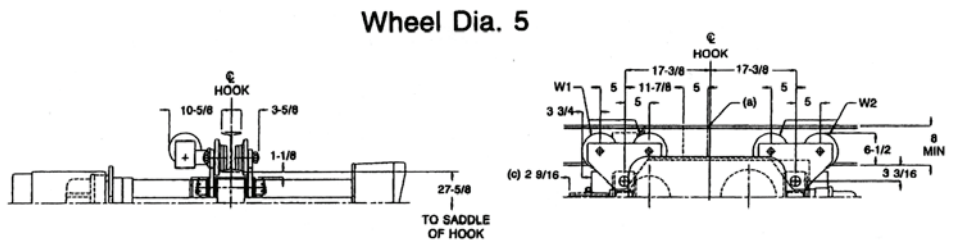
LUG MOUNTED			
Lift (Ft)	Weight	Pin Load in Lbs. (Max)	
		P1	P2
20	1439	2699	2740
36	1561	2730	2831
54	1705	2761	2944
82	1946	2784	3162



PLAIN TROLLEY			
Lift (Ft)	Weight	Wheel Load in Lbs. (Max)	
		PR.W1	PR.W2
20	1740	1425	1445
36	1862	1440	1491
54	2006	1456	1547
82	2246	1467	1656



MOTORIZED TROLLEY			
Lift (Ft)	Weight	Wheel Load in Lbs. (Max)	
		PR.W1	PR.W2
20	1806	1458	1445
36	1928	1473	1491
54	2072	1489	1547
82	2312	1500	1656



ACCO Acco Material Handling Solutions 800-967-7333 www.accomhs.com



Equipment described herein is not designed for, and should not be used for, lifting, supporting, or transporting humans. Modifications to upgrade, rerate, or otherwise alter the hoist or crane equipment shall be authorized only by the original manufacturer or qualified professional engineer. Failure to comply with any one of the limitations noted herein may result in serious bodily injury.
© 2012 ACCO Material Handling Solutions



THE NEW CENTURY SERIES®

Electric Wire Rope Hoists
Issued 06-01-12

**Monorail Hoist
CLOSE HEADROOM CROSS MOUNTED**

Series 32

2 Part Double Reeved
3/8 Diameter Rope

3 TON

For Pricing See Page 3x

MODEL NUMBER	Lift (Ft)	Single Speed			Two Speed			C	Drum
		FPM	B	HP	FPM	B	HP		
X2W03D020-15*2D0	20	15	31-3/4	3	15 / 5	34-5/8	3 / 1	25-7/8	4
X2W03D036-15*2D0	36	15	39-1/4	3	15 / 5	42-1/8	3 / 1	33-3/8	6
X2W03D060-15*2D0	60	15	50-3/8	3	15 / 5	53-1/4	3 / 1	44-1/2	7
X2W03D020-22*2D0	20	22	33-1/8	5	22 / 7	37-1/8	5 / 1.67	25-7/8	4
X2W03D036-22*2D0	36	22	40-5/8	5	22 / 7	44-5/8	5 / 1.67	33-3/8	6
X2W03D060-22*2D0	60	22	51-3/4	5	22 / 7	55-3/4	5 / 1.67	44-1/2	7

All dimensions shown in inches unless otherwise specified. Dimensions which change with beam size are for minimum beam shown. Speedway trolleys are adjustable for Standard I beam or WF beam, 4 inch to 11 inch flange width. Beam size must be specified. Trolleys are also available for 3.25 or 3.33" patented track beams. See **Accessories Section** for applications with flange width exceeding 11 inches. All reference to beam flange widths are for clearance purposes only and do not imply that lower flange of beam will support hoist with load.

TROLLEY DATA:

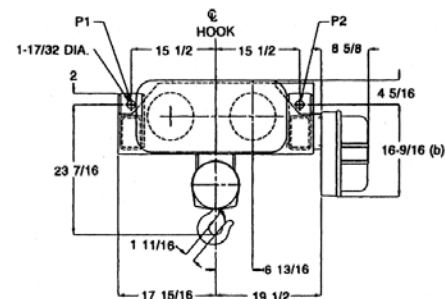
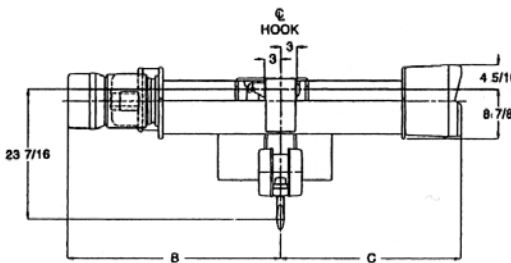
Speed	50 FPM	100 FPM
HP	1/2	1/2

All two speed trolley motors are 1800/600 RPM
(a) Trolley Brake is available as optional equipment.
(b) Dimension to bottom of control box increases from 16-9/16" to 22-9/16" when trolley is furnished with ACM.

All Lifts

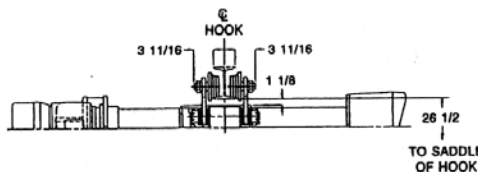
LUG MOUNTED

Lift (Ft)	Weight	Pin Load in Lbs. (Max)	
		P1	P2
20	1090	3492	3598
36	1223	3493	3730
60	1423	3528	3895

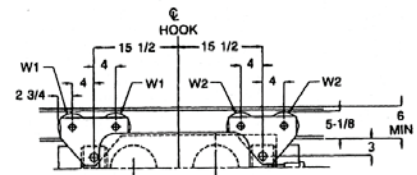


PLAIN TROLLEY

Lift (Ft)	Weight	Wheel Load in Lbs. (Max)	
		PR.W1	PR.W2
20	1282	1794	1847
36	1414	1794	1913
60	1614	1812	1995

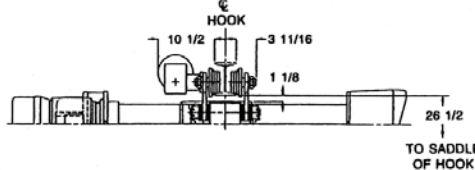


Wheel Dia. 4

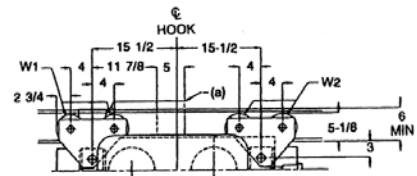


MOTORIZED TROLLEY

Lift (Ft)	Weight	Wheel Load in Lbs. (Max)	
		PR.W1	PR.W2
20	1348	1827	1847
36	1480	1827	1913
60	1680	1845	1995



Wheel Dia. 4



ACCO Acco Material Handling Solutions 800-967-7333 www.accomhs.com



Equipment described herein is not designed for, and should not be used for, lifting, supporting, or transporting humans. Modifications to upgrade, rerate, or otherwise alter the hoist or crane equipment shall be authorized only by the original manufacturer or qualified professional engineer. Failure to comply with any one of the limitations noted herein may result in serious bodily injury.
© 2012 ACCO Material Handling Solutions

WRIGHT®

Work-Rated®

Monorail Hoist CLOSE HEADROOM CROSS MOUNTED Series 33

3 TON

THE NEW CENTURY SERIES®

2 Part Double Reeved
3/8 Diameter Rope

Electric Wire Rope Hoists
Issued 06-01-12

For Pricing See Page 3x

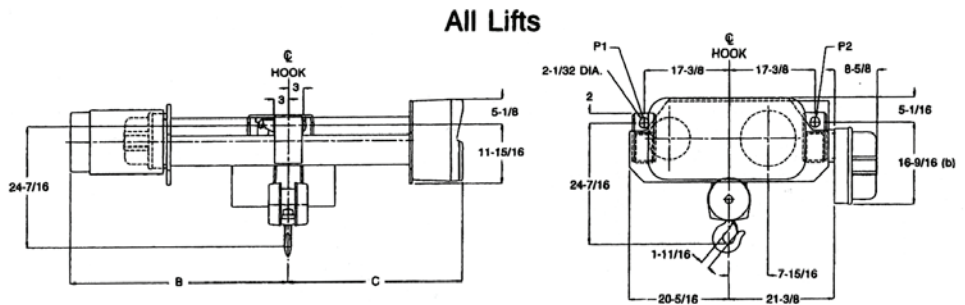
MODEL NUMBER	Lift (Ft)	Single Speed			Two Speed			C	Drum
		FPM	B	HP	FPM	B	HP		
X3W03D020-30*2D0	20	30	32-1/2	7-1/2	30 / 10	36-1/4	7.5 / 2.5	23-5/8	2
X3W03D036-30*2D0	36	30	38	7-1/2	30 / 10	41-3/4	7.5 / 2.5	29-1/8	3
X3W03D054-30*2D0	54	30	44-1/2	7-1/2	30 / 10	48-1/4	7.5 / 2.5	35-5/8	4
X3W03D082-30*2D0	82	30	54-1/2	7-1/2	30 / 10	58-1/4	7.5 / 2.5	45-5/8	5
X3W03D020-44*2D0	20	44	32-1/2	10	44 / 15	36-1/4	10 / 3.33	23-5/8	2
X3W03D036-44*2D0	36	44	38	10	44 / 15	41-3/4	10 / 3.33	29-1/8	3
X3W03D054-44*2D0	54	44	44-1/2	10	44 / 15	48-1/4	10 / 3.33	35-5/8	4
X3W03D082-44*2D0	82	44	54-1/2	10	44 / 15	58-1/4	10 / 3.33	45-5/8	5

All dimensions shown in inches unless otherwise specified. Dimensions which change with beam size are for minimum beam shown. Speedway trolleys are adjustable for Standard I beam or WF beam, 4 inch to 11 inch flange width. Beam size must be specified. Trolleys are also available for 3.25 or 3.33" patented track beams. See **Accessories Section** for applications with flange width exceeding 11 inches. All reference to beam flange widths are for clearance purposes only and do not imply that lower flange of beam will support hoist with load.

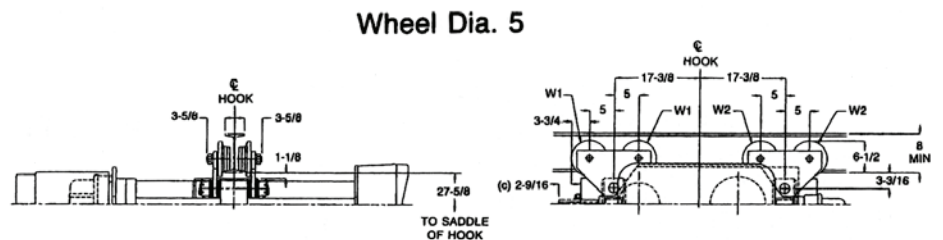
TROLLEY DATA: Speed 50 FPM 100 FPM
HP 1/2 1/2

All two speed trolley motors are 1800/600 RPM
(a) Trolley Brake is available as optional equipment.
(b) Dimension to bottom of control box increases from 16-9/16" to 22-9/16" when trolley is furnished with ACM or hoist with two speed 10 horsepower-200 volt control.
(c) Counterweight protection exists on drum number 2 trolley hoist only.

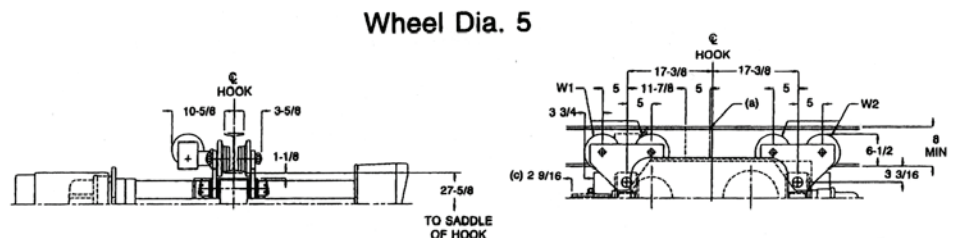
LUG MOUNTED			
Lift (Ft)	Weight	Pin Load in Lbs. (Max)	
		P1	P2
20	1439	3699	3740
36	1561	3730	3831
54	1705	3761	3944
82	1946	3784	4162



PLAIN TROLLEY			
Lift (Ft)	Weight	Wheel Load in Lbs. (Max)	
		PR.W1	PR.W2
20	1740	1925	1945
36	1862	1940	1991
54	2006	1956	2047
82	2246	1967	2156



MOTORIZED TROLLEY			
Lift (Ft)	Weight	Wheel Load in Lbs. (Max)	
		PR.W1	PR.W2
20	1806	1958	1945
36	1928	1973	1991
54	2072	1989	2047
82	2312	2000	2156



Acco Material Handling Solutions 800-967-7333 www.accomhs.com



Equipment described herein is not designed for, and should not be used for, lifting, supporting, or transporting humans. Modifications to upgrade, rerate, or otherwise alter the hoist or crane equipment shall be authorized only by the original manufacturer or qualified professional engineer. Failure to comply with any one of the limitations noted herein may result in serious bodily injury.
© 2012 ACCO Material Handling Solutions

WRIGHT®
 Work-Rated®
 THE NEW CENTURY SERIES®

Monorail Hoist
 CLOSE HEADROOM CROSS MOUNTED
Series 32

5 TON

Electric Wire Rope Hoists
 Issued 06-01-12

2 Part Double Reeved
 3/8 Diameter Rope

For Pricing See Page 4x

MODEL NUMBER	Lift (Ft)	Single Speed			Two Speed			C	Drum
		FPM	B	HP	FPM	B	HP		
X2W05D020-15*2D0	20	15	33-1/8	5	15 / 5	37-1/8	5 / 1.67	25-7/8	4
X2W05D036-15*2D0	36	15	40-5/8	5	15 / 5	44-5/8	5 / 1.67	33-3/8	6
X2W05D060-15*2D0	60	15	51-3/4	5	15 / 5	55-3/4	5 / 1.67	44-1/2	7

All dimensions shown in inches unless otherwise specified. Dimensions which change with beam size are for minimum beam shown. Speedway trolleys are adjustable for Standard I beam or WF beam, 4 inch to 11 inch flange width. Beam size must be specified. Trolleys are also available for 3.25 or 3.33" patented track beams. See **Accessories Section** for applications with flange width exceeding 11 inches. All reference to beam flange widths are for clearance purposes only and do not imply that lower flange of beam will support hoist with load.

TROLLEY DATA:

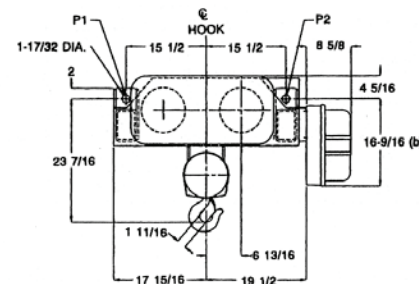
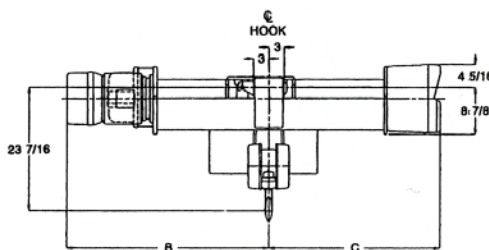
Speed	50 FPM	100 FPM
HP	1/2	1/2

All two speed trolley motors are 1800/600 RPM
 (a) Trolley Brake is available as optional equipment.
 (b) Dimension to bottom of control box increases from 16-9/16" to 22-9/16" when trolley is furnished with ACM.

All Lifts

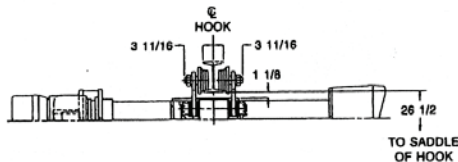
LUG MOUNTED

Lift (Ft)	Weight	Pin Load in Lbs. (Max)	
		P1	P2
20	1090	5492	5598
36	1223	5493	5730
60	1423	5528	5895

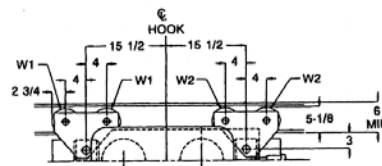


PLAIN TROLLEY

Lift (Ft)	Weight	Wheel Load in Lbs. (Max)	
		PR.W1	PR.W2
20	1282	2794	2847
36	1414	2794	2913
60	1614	2812	2995

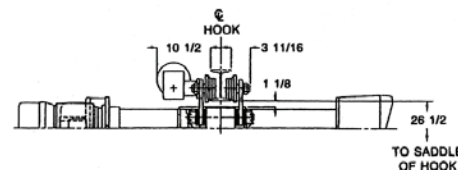


Wheel Dia. 4

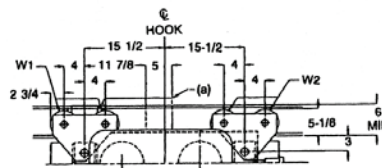


MOTORIZED TROLLEY

Lift (Ft)	Weight	Wheel Load in Lbs. (Max)	
		PR.W1	PR.W2
20	1348	2827	2847
36	1480	2827	2913
60	1680	2845	2995



Wheel Dia. 4



ACCO Acco Material Handling Solutions 800-967-7333 www.accomhs.com

WARNING

Equipment described herein is not designed for, and should not be used for, lifting, supporting, or transporting humans. Modifications to upgrade, rerate, or otherwise alter the hoist or crane equipment shall be authorized only by the original manufacturer or qualified professional engineer. Failure to comply with any one of the limitations noted herein may result in serious bodily injury.
 © 2012 ACCO Material Handling Solutions

WRIGHT® Work-Rated®

Monorail Hoist CLOSE HEADROOM CROSS MOUNTED Series 33

5 TON

THE NEW CENTURY SERIES®

2 Part Double Reeved
3/8 Diameter Rope

Electric Wire Rope Hoists
Issued 06-01-12

For Pricing See Page 4x

MODEL NUMBER	Lift (Ft)	Single Speed			Two Speed			C	Drum
		FPM	B	HP	FPM	B	HP		
X3W05D020-22*2D0	20	22	32-1/2	7-1/2	22 / 7	36-1/4	7.5 / 2.5	23-5/8	2
X3W05D036-22*2D0	36	22	38	7-1/2	22 / 7	41-3/4	7.5 / 2.5	29-1/8	3
X3W05D054-22*2D0	54	22	44-1/2	7-1/2	22 / 7	48-1/4	7.5 / 2.5	35-5/8	4
X3W05D082-22*2D0	82	22	54-1/2	7-1/2	22 / 7	58-1/4	7.5 / 2.5	45-5/8	5
X3W05D020-30*2D0	20	30	33-5/8	10	30 / 10	36-1/4	10 / 3.33	23-5/8	2
X3W05D036-30*2D0	36	30	39-1/8	10	30 / 10	41-3/4	10 / 3.33	29-1/8	3
X3W05D054-30*2D0	54	30	45-5/8	10	30 / 10	48-1/4	10 / 3.33	35-5/8	4
X3W05D082-30*2D0	82	30	55-5/8	10	30 / 10	58-1/4	10 / 3.33	45-5/8	5

All dimensions shown in inches unless otherwise specified. Dimensions which change with beam size are for minimum beam shown. Speedway trolleys are adjustable for Standard I beam or WF beam, 4 inch to 11 inch flange width. Beam size must be specified. Trolleys are also available for 3.25 or 3.33" patented track beams. See **Accessories Section** for applications with flange width exceeding 11 inches. All reference to beam flange widths are for clearance purposes only and do not imply that lower flange of beam will support hoist with load.

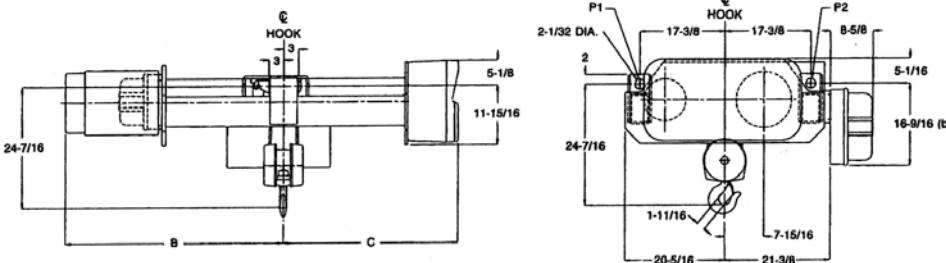
TROLLEY DATA:

Speed	50 FPM	100 FPM
HP	1/2	1/2

- All two speed trolley motors are 1800/600 RPM
 (a) Trolley Brake is available as optional equipment.
 (b) Dimension to bottom of control box increases from 16-9/16" to 22-9/16" when trolley is furnished with ACM or hoist with two speed 10 horsepower-200 volt control.
 (c) Counterweight protection exists on drum number 2 trolley hoist only.

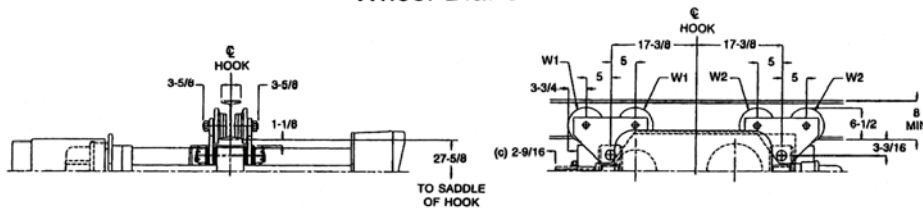
All Lifts

LUG MOUNTED			
Lift (Ft)	Weight	Pin Load in Lbs. (Max)	
		P1	P2
20	1449	5709	5740
36	1571	5740	5831
54	1715	5771	5944
82	1956	5795	6161



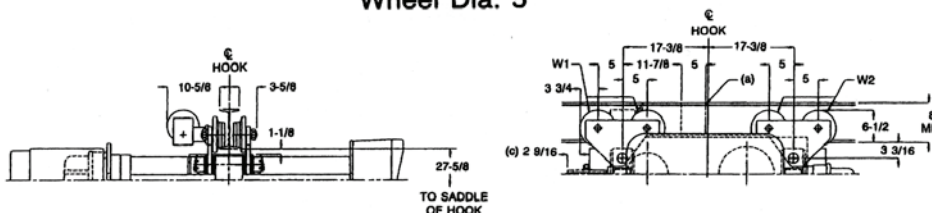
PLAIN TROLLEY			
Lift (Ft)	Weight	Wheel Load in Lbs. (Max)	
		PR.W1	PR.W2
20	1750	2930	2945
36	1872	2945	2991
54	2016	2961	3047
82	2258	2973	3156

Wheel Dia. 5



MOTORIZED TROLLEY			
Lift (Ft)	Weight	Wheel Load in Lbs. (Max)	
		PR.W1	PR.W2
20	1816	2963	2945
36	1938	2978	2991
54	2082	2994	3047
82	2324	3006	3156

Wheel Dia. 5



Acco Material Handling Solutions 800-967-7333 www.accomhs.com

WARNING Equipment described herein is not designed for, and should not be used for, lifting, supporting, or transporting humans. Modifications to upgrade, rerate, or otherwise alter the hoist or crane equipment shall be authorized only by the original manufacturer or qualified professional engineer. Failure to comply with any one of the limitations noted herein may result in serious bodily injury.
© 2012 ACCO Material Handling Solutions

WRIGHT®
Work-Rated®
THE NEW CENTURY SERIES®

Monorail Hoist
 CLOSE HEADROOM CROSS MOUNTED
Series 33

7 1/2 TON

Electric Wire Rope Hoists

4 Part Double Reeved
 3/8 Diameter Rope

For Pricing See Page 5x

Issued 06-01-12

MODEL NUMBER	Lift (Ft)	Single Speed			Two Speed			C	Drum
		FPM	B	HP	FPM	B	HP		
X3W07D022-15*4D0	22	15	44-1/2	7-1/2	15 / 5	48-1/4	7.5 / 2.5	35-5/8	4
X3W07D036-15*4D0	36	15	54-1/2	7-1/2	15 / 5	58-1/4	7.5 / 2.5	45-5/8	5
X3W07D022-22*4D0	22	22	45-5/8	10	22 / 7	48-1/4	10 / 3.33	35-5/8	4
X3W07D036-22*4D0	36	22	55-5/8	10	22 / 7	58-1/4	10 / 3.33	45-5/8	5

All dimensions shown in inches unless otherwise specified. Dimensions which change with beam size are for minimum beam shown. Speedway trolleys are adjustable for Standard I beam or WF beam, 4 inch to 11 inch flange width. Beam size must be specified. Trolleys are also available for 3.25 or 3.33" patented track beams. See **Accessories Section** for applications with flange width exceeding 11 inches. All reference to beam flange widths are for clearance purposes only and do not imply that lower flange of beam will support hoist with load.

TROLLEY DATA:

Speed	50 FPM	100 FPM
HP	1/2	1

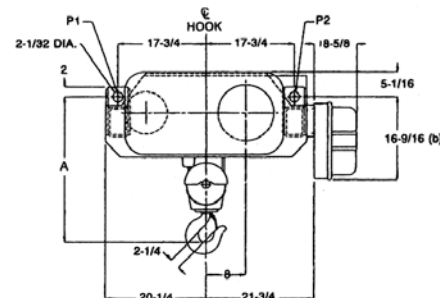
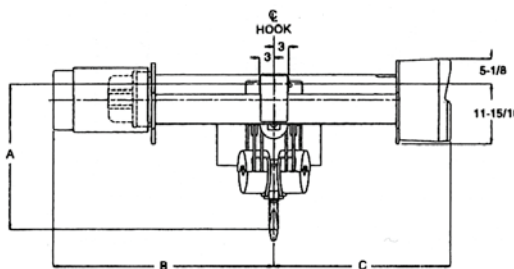
All two speed trolley motors are 1800/600 RPM
 (a) Trolley Brake is available as optional equipment.
 (b) Dimension to bottom of control box increases from 16-9/16" to 22-9/16" when trolley is furnished with ACM or hoist with two speed 10 horsepower-200 volt control.

All Lifts

LUG MOUNTED

Lift (Ft)	Weight	Pin Load in Lbs. (Max)	
		P1	P2
22	1835	8327	8508
36	2102	8359	8743

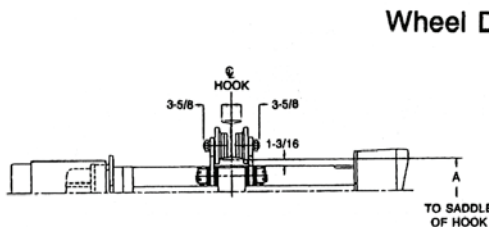
Lift (Ft)	A
22	29
36	31



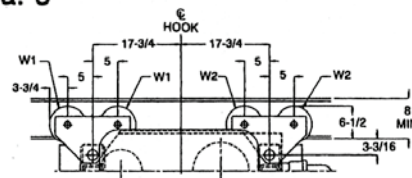
PLAIN TROLLEY

Lift (Ft)	Weight	Wheel Load in Lbs. (Max)	
		PR.W1	PR.W2
22	2136	4239	4329
36	2404	4255	4447

Lift (Ft)	A
22	32-1/8
36	34-1/8



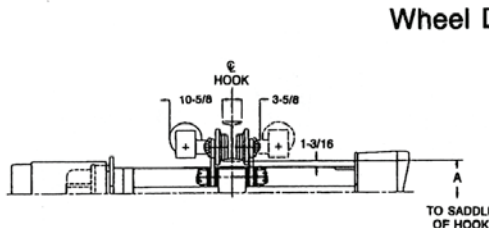
Wheel Dia. 5



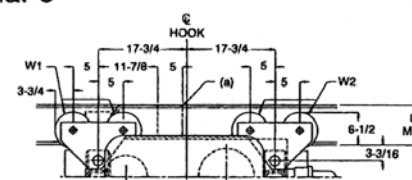
MOTORIZED TROLLEY

Lift (Ft)	Weight	Wheel Load in Lbs. (Max)	
		PR.W1	PR.W2
22	2202	4272	4329
36	2470	4288	4447

Lift (Ft)	A
22	32-1/8
36	34-1/8



Wheel Dia. 5



ACCO Acco Material Handling Solutions 800-967-7333 www.accomhs.com

WARNING

Equipment described herein is not designed for, and should not be used for, lifting, supporting, or transporting humans. Modifications to upgrade, rerate, or otherwise alter the hoist or crane equipment shall be authorized only by the original manufacturer or qualified professional engineer. Failure to comply with any one of the limitations noted herein may result in serious bodily injury.
 © 2012 ACCO Material Handling Solutions

WRIGHT® Work-Rated®

THE NEW CENTURY SERIES®

Electric Wire Rope Hoists
Issued 06-01-12

Monorail Hoist CLOSE HEADROOM CROSS MOUNTED Series 33

4 Part Double Reeved
3/8 Diameter Rope

10 TON

For Pricing See Page 6x

MODEL NUMBER	Lift (FT)	Single Speed			Two Speed			C	Drum
		FPM	B	HP	FPM	B	HP		
X3W10D022*15-4D0	22	15	45-5/8	10	15 / 5	48-1/4	10 / 3.33	35-5/8	4
X3W10D036*15-4D0	36	15	55-5/8	10	15 / 5	58-1/4	10 / 3.33	45-5/8	5

All dimensions shown in inches unless otherwise specified. Dimensions which change with beam size are for minimum beam shown. Speedway trolleys are adjustable for Standard I beam or WF beam, 4 inch to 11 inch flange width. Beam size must be specified. Trolleys are also available for 3.25 or 3.33" patented track beams. See **Accessories Section** for applications with flange width exceeding 11 inches. All reference to beam flange widths are for clearance purposes only and do not imply that lower flange of beam will support hoist with load.

TROLLEY DATA:

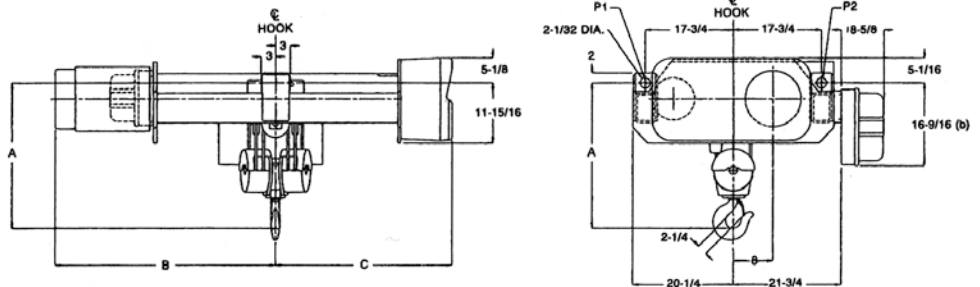
Speed	50 FPM	100 FPM
HP	1/2	1

All two speed trolley motors are 1800/600 RPM
(a) Trolley Brake is available as optional equipment.
(b) Dimension to bottom of control box increases from 16-9/16" to 22-9/16" when trolley is furnished with ACM or hoist with two speed 10 horsepower-200 volt control.

All Lifts

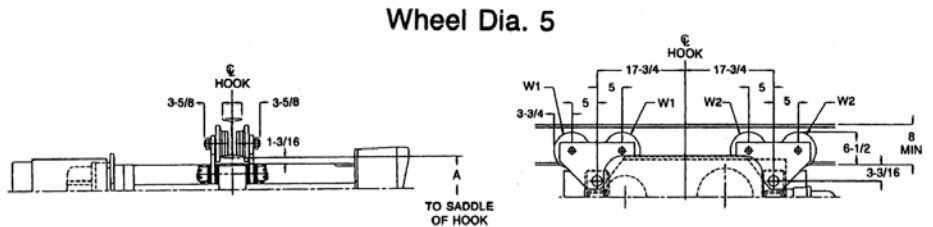
LUG MOUNTED			
Lift (Ft)	Weight	Pin Load in Lbs. (Max)	
		P1	P2
22	1835	10827	11008
36	2102	10859	11243

Lift (Ft)	A
22	29
36	31



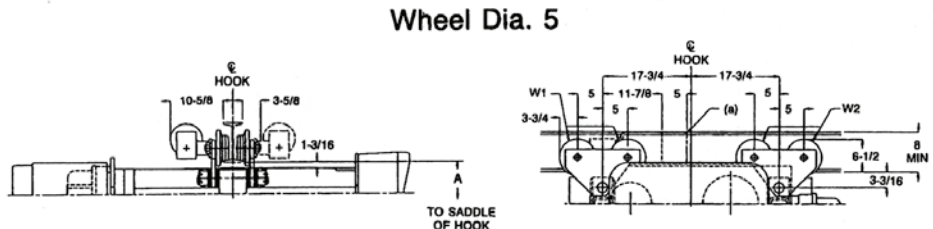
PLAIN TROLLEY			
Lift (Ft)	Weight	Wheel Load in Lbs. (Max)	
		PR.W1	PR.W2
22	2136	5489	5579
36	2404	5505	5697

Lift (Ft)	A
22	32-1/8
36	34-1/8



MOTORIZED TROLLEY			
Lift (Ft)	Weight	Wheel Load in Lbs. (Max)	
		PR.W1	PR.W2
22	2202	5522	5579
36	2470	5538	5697

Lift (Ft)	A
22	32-1/8
36	34-1/8



Acco Material Handling Solutions 800-967-7333 www.accomhs.com

WARNING

Equipment described herein is not designed for, and should not be used for, lifting, supporting, or transporting humans. Modifications to upgrade, rerate, or otherwise alter the hoist or crane equipment shall be authorized only by the original manufacturer or qualified professional engineer. Failure to comply with any one of the limitations noted herein may result in serious bodily injury.
© 2012 ACCO Material Handling Solutions

WRIGHT®
Work-Rated®

THE NEW CENTURY SERIES®

Electric Wire Rope Hoists

Issued 06-01-12

Top Running Trolley Hoist Features & Benefits

1 TO 25 TON

Wright family of *Work-Rated* hoists is a complete line of electric wire rope hoists. It is an advanced design incorporating the most recent materials and concept. The most current duty cycle and safety requirements of users are built into this line, not added on.

CONSTRUCTION FEATURES:

CONTROLS: Choose from single, 2-speed, or inverter. Controls are magnetic reversing type, mechanically and electrically interlocked with 115 volt control circuit. All wiring conforms to applicable NEC requirements. Motor thermostats are standard providing motor running overcurrent protection. NEMA Type 3R enclosures are standard. Cover is lightweight, tough ABS material, deep-drawn for maximum control accessibility.

PUSH BUTTON STATION: Push button stations are not furnished as standard equipment with these hoists. Push button station drop of cord & strain chain are available as optional equipment. See Accessories Section. Specify required drop.

MOTOR: Standard NEMA C face mounting, TENV, Class F insulation, 30-minute duty motor is provided for standard commercial power supplies. The motor has a standard NEMA shaft extension.

GEAR TRAIN: Quiet, helical and spur gearing. All gears are machine cut, case-hardened alloy steel with shock-resistant ductile cores. Gearing is designed to AGMA standards for maximum life, and operates in an oil bath. Rugged aluminum alloy housing provides rapid heat dissipation.

BEARINGS - SPIDER RETAINERS: Precision heavy-duty ball bearings support all shafts. All bearings are either splash lubricated, or lifetime pre-lubricated and sealed. Bearings at outboard end of shafts are held in place by heavy-duty Spider Retainers. This allows removal of Gear Housing Cover for inspection (after draining oil). All internal parts remain in place and can be operated for inspection.

DRUM: The large diameter steel drum has machined grooves and large flanges. At least two full turns of rope remain on the drum at the lowest hook position of rated lift.

LOAD BLOCK - HOOK: Drop forged heat-treated steel hook swivels 360° on a shielded roller thrust bearing and comes equipped with a spring latch. Work can be performed on the load block without removing wire rope from drum. Sheaves are machined steel.

WIRE ROPE: Pre-formed wire rope, of hoisting service construction, made of extra improved plow steel (XIP) with an independent wire rope center. Has swaged fittings on both ends for ease of replacement if necessary.

MECHANICAL LOAD BRAKE: Automatic Weston-type multiple disc brake can hold a full capacity load independent of motor brake. This brake assures that load does not accelerate while being lowered. No wear compensation adjustment is required.

MOTOR BRAKE: Proven in millions of hours of in-service operation, the original *Wright* rectified D-C magnet-actuated disc brake delivers rapid stops with virtually no hook drift. Rated a minimum of 150% of full load motor torque. Exclusive brake-sensing microswitch prevents motor from operating against engaged brake and when brake requires adjustment.

LIMIT SWITCH: A gravity-type upper hook travel limit switch is provided. The unit is equipped with an automatic momentary lowering circuit. An optional geared limit switch is also available.

OVERLOAD CUTOFF: Exclusive patented ACCO unit is standard on all *Work-Rated* hoists except single-line models. The overload limiting device shall be designed to permit operation of the hoist within its rated load and to limit the amount of overload that can be lifted by a properly maintained hoist, under normal operating conditions.

The overload limiting device may allow the lifting of an overload, but shall be designed to prevent the lifting of an overload of such magnitude that could cause damage to a hoist, trolley, or supports. This does not imply that any overload is to be intentionally applied to the hoist.

The overload limiting device is an emergency device and shall not be used to measure the maximum load to be lifted and shall not be used to sense the overload imposed by the constrained load.

TROLLEY FRAME: The trolley frame shall be built of ductile structural shapes and welded into a stable assembly of sufficient strength to comply with general strength requirements and to provide proper wheel and bearing alignment for trolley wheels and drives during the life of the trolley hoist.

TROLLEY WHEELS: Trolley wheels shall have tread surfaces machined and hardened to 375-425 Brinell. Each wheel shall be supported on ball bearings suitable to take radial and thrust loads. The wheels shall be lubricated at the factory with a sodium base grease. Wheel treads shall be smooth, true and uniform within .010 inch tread diameter on all wheels.

TROLLEY DRIVE: The trolley drive motor shall be fully enclosed 30 minute duty cycle rated, and Class F insulation complying with NEMA performance specifications. The motor shall be integral with a fully enclosed oil splash lubricated gear reduction. The motor and the gear reduction shafts shall be supported by permanently lubricated precision ball or roller bearings. The drive shaft shall provide drive from the gear reducer to the wheel gear reduction. The wheels are driven through rotating axles. A spring set A.C. disc type brake is available as optional equipment.

TROLLEY GEARING: All gears shall be cut from solid blanks with 20 degree pressure angle involute shape for high strength and shall comply with AGMA specifications for load ratings. All gears operating at higher than 200 FPM pitch line speed shall be fully enclosed in oil tight housings and lubricated by splash principle.

TROLLEY CONTROLS: Choose from single, 2-speed, or inverter. Single and 2-speed control is available with ACM solid state cushion start for smooth travel motion and excellent load control as optional equipment.



800-967-7333 www.accomhs.com



Equipment described herein is not designed for, and should not be used for, lifting, supporting, or transporting humans. Modifications to upgrade, rerate, or otherwise alter the hoist or crane equipment shall be authorized only by the original manufacturer or qualified professional engineer. Failure to comply with any one of the limitations noted herein may result in serious bodily injury.
© 2012 ACCO Material Handling Solutions



Top Running Trolley Hoist Features & Benefits

1 TO 25 TON

THE NEW CENTURY SERIES®

Electric Wire Rope Hoists

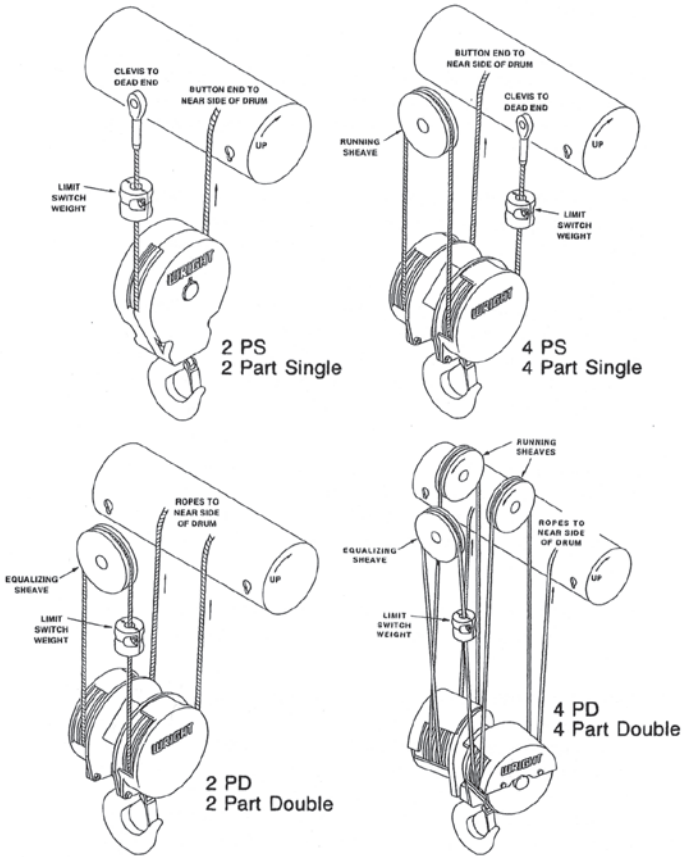
Issued 06-01-12

HOW TO SPECIFY A *Work-Rated* TROLLEY HOIST

1. DETERMINE THE CAPACITY, LIFTING SPEED, AND LIFTING DISTANCE.

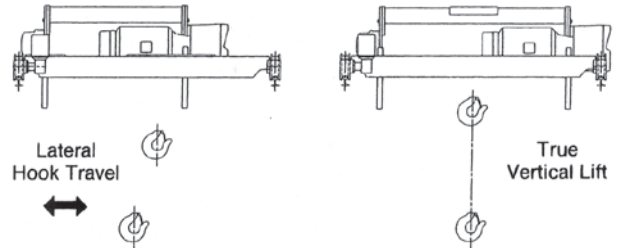
2. DETERMINE THE REEVING REQUIRED FOR YOUR APPLICATION. *Work-Rated* hoists may be reeved in various ways to gain desired mechanical advantages ... capacity, lifting distance, and lifting speeds.

	Single Reeved	Double Reeved
Reeving:	2 PS or 4 PS	2 PD or 4 PD
Minimum Headroom:	Fair	Good
Lateral Hook Travel:	Hook travels	None
Cost:	Lower	Higher



HEADROOM: Some applications require that the distance from the top of bridge rail to saddle of the hook be held to a minimum. This dimension will determine whether single reeved or double reeved model is required.

HOOK TRAVEL:



Some applications require that the load, when being lifted, not move right or left from hoist centerline. If this requirement is known, a true vertical lift hoist must be used. These are described as two part double (2 PD) or four part double (4 PD).

3. SPECIFY PROPER MODEL NUMBER in regard to hoist. Capacity, lifting speed, mounting and hoist control found in the following pages.

4. SPECIFY MOTOR VOLTAGE: ACCO standard motors are available in 200/230/460/575-3-60 power with Class F insulation, and are totally enclosed non-ventilated. Control is furnished as standard equipment. Additional motor and control accessories are found in the Accessories Section.

5. WHEEL GAGE: Top running trolley hoists are available in various wheel gages depending on lift of the hoist. The wheel gage (WG) of top running hoist determines rail spacing. Special wheel gages for existing crane applications are available upon request.

6. SPECIAL APPLICATION HOISTS: Contact your nearest *Wright* representative.

7. ACCO RESERVES THE RIGHT TO MAKE CHANGES TO THIS CATALOG AS MAY BE DEEMED NECESSARY.

Hoist reeving may be either single or double reeving. The rated load of the hoist is determined in part by the number of parts (lines) of rope. The hoist speed is determined by the rotational speed of the drum and the reeving of the hoist.



WRIGHT®

Work-Rated®

THE NEW CENTURY SERIES®

Electric Wire Rope Hoists

Issued 06-03-13

Top Running Trolley Hoist

Series 32

2 Part Single Reeved
3/8 Diameter Rope

1 TON

For Pricing See Page 11

MODEL NUMBER	Lift (Ft)	Lift Speed (FPM)	HP	B	C	J	K	Trolley Drive		Hook Travel	Wheel Gage (WG)	Drum
								Single Speed	Two Speed			
								F (a)	F (a)	HT		
C2W01S017-15T2S0	17	15	3	16-1/4	16-15/16	22-3/16	23-1/16	16-5/8	17-5/8	2-1/4	60	1
C2W01S033-15T2S0	33	15	3	21-7/8	18-13/16	16-9/16	21-3/16	16-5/8	17-5/8	4-1/8	60	3
C2W01S051-15T2S0	51	15	3	28-7/16	21	10	19	16-5/8	17-5/8	6-5/16	60	4
C2W01S083-15T2S0	83	15	3	39-11/16	24-3/4	7-3/4	24-1/4	16-5/8	17-5/8	10-1/16	78	6
C2W01S017-22T2S0	17	22	3	16-1/4	16-15/16	22-3/16	23-1/16	16-5/8	17-5/8	2-1/4	60	1
C2W01S033-22T2S0	33	22	3	21-7/8	18-13/16	16-9/16	21-3/16	16-5/8	17-5/8	4-1/8	60	3
C2W01S051-22T2S0	51	22	3	28-7/16	21	10	19	16-5/8	17-5/8	6-5/16	60	4
C2W01S083-22T2S0	83	22	3	39-11/16	24-3/4	7-3/4	24-1/4	16-5/8	17-5/8	10-1/16	78	6
C2W01S017-30T2S0	17	30	3	16-1/4	16-15/16	22-3/16	23-1/16	16-5/8	17-5/8	2-1/4	60	1
C2W01S033-30T2S0	33	30	3	21-7/8	18-13/16	16-9/16	21-3/16	16-5/8	17-5/8	4-1/8	60	3
C2W01S051-30T2S0	51	30	3	28-7/16	21	10	19	16-5/8	17-5/8	6-5/16	60	4
C2W01S083-30T2S0	83	30	3	39-11/16	24-3/4	7-3/4	24-1/4	16-5/8	17-5/8	10-1/16	78	6

All dimensions shown in inches unless otherwise specified.

(a) Trolley brake is available as optional equipment. Add 5-1/8" to dimension F.

(b) Four rubber bumpers are available as optional equipment.

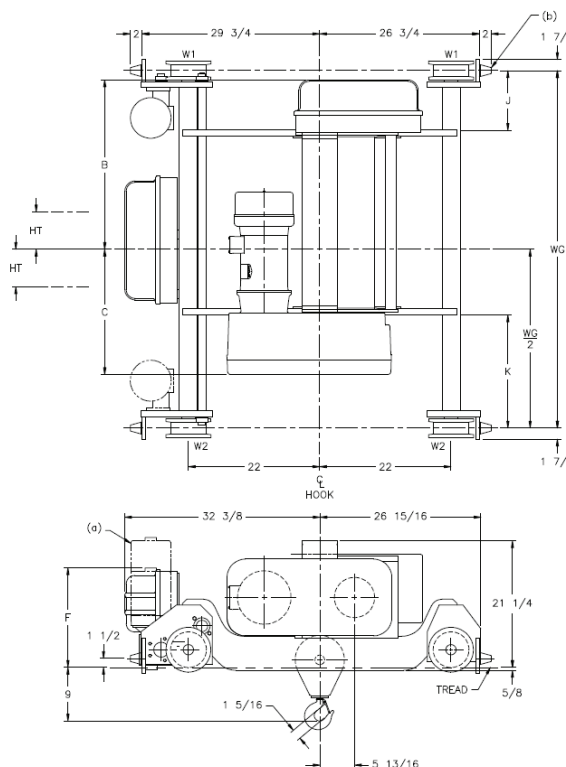
Rail gage (beam spacing of the crane) must match wheel gage of the top running trolley hoist based on lift and drum length.

All two speed motors are 1800/600 RPM.

TROLLEY DATA:	Speed	32 FPM	65 FPM	125 FPM	
	HP	1/2	1/2	1/2	(2 OF EACH REQUIRED FOR 78 WHEEL GAGE)

WHEEL LOADING			
Lift (Ft)	Weight	Pounds Per Wheel (Max)	
		W1	W2
17	1198	826	848
33	1244	871	888
51	1297	925	934
83	1389	969	999

Wheel Dia. 6
Max. Rail Size - 30 #/Yd.



ACCO Acco Material Handling Solutions 800-967-7333 www.accomhs.com

WARNING

Equipment described herein is not designed for, and should not be used for, lifting, supporting, or transporting humans. Modifications to upgrade, rerate, or otherwise alter the hoist or crane equipment shall be authorized only by the original manufacturer or qualified professional engineer. Failure to comply with any one of the limitations noted herein may result in serious bodily injury.
© 2013 ACCO Material Handling Solutions

WRIGHT®

Work-Rated®

THE NEW CENTURY SERIES®

Top Running Trolley Hoist

Series 33

2 Part Single Reeved
1/2 Diameter Rope

1 TON

Electric Wire Rope Hoists

Issued 06-01-12

For Pricing See Page 1t

MODEL NUMBER	Lift (Ft)	Lift Speed (FPM)	HP	B	C	J	K	Trolley Drive		Hook Travel	Wheel Gage (WG)	Drum
								Single Speed	Two Speed			
								F (a)	F (a)	HT		
C3W01S017-44T2S0	17	44	7-1/2	19-1/4	17-1/2	21	22-5/16	16-5/8	17-5/8	2-3/8	60	1
C3W01S041-44T2S0	41	44	7-1/2	24-9/16	20-5/16	13-13/16	19-1/2	16-5/8	17-5/8	4-15/16	60	2
C3W01S064-44T2S0	64	44	7-1/2	32-13/16	23-1/16	5-9/16	16-3/4	16-5/8	17-5/8	7-11/16	60	3
C3W01S091-44T2S0	91	44	7-1/2	42-9/16	26-5/16	4-13/16	22-1/2	16-5/8	17-5/8	10-15/16	78	4
C3W01S133-44T2S0	133	44	7-1/2	57-9/16	31-5/16	10-13/16	38-1/2	16-5/8	17-5/8	15-15/16	120	5

All dimensions shown in inches unless otherwise specified.

(a) Trolley brake is available as optional equipment. Add 5-1/8" to dimension F.

(b) Four rubber bumpers are available as optional equipment.

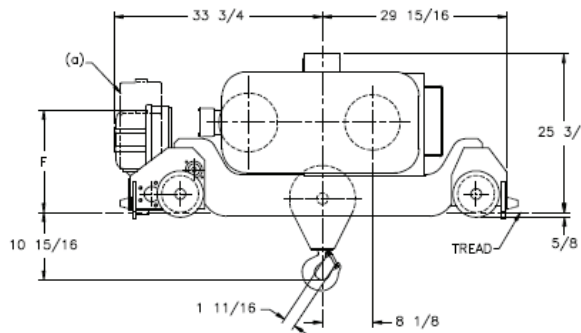
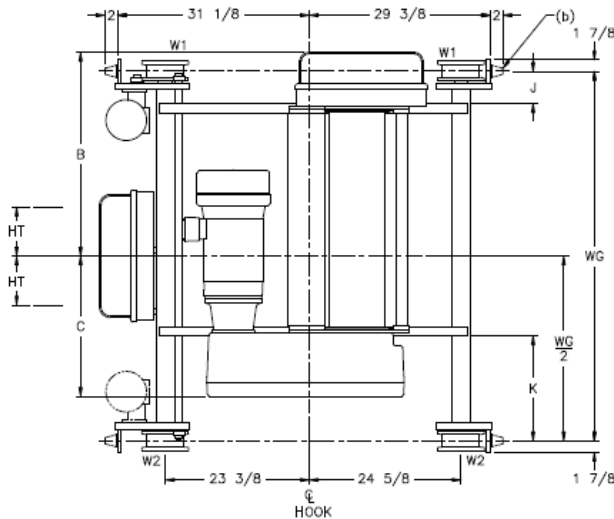
Rail gage (beam spacing of the crane) must match wheel gage of the top running trolley hoist based on lift and drum length.

All two speed motors are 1800/600 RPM.

TROLLEY DATA:	Speed	32 FPM	65 FPM	125 FPM	
	HP	1/2	1/2	1/2	(2 OF EACH REQUIRED FOR 78 & 120 WHEEL GAGES)

WHEEL LOADING			
Lift (Ft)	Weight	Pounds Per Wheel (Max)	
		W1	W2
17	1628	926	964
41	1719	994	1029
64	1820	1080	1084
91	1974	1150	1116
133	2362	1253	1193

Wheel Dia. 6
Max. Rail Size - 30 #/Yd.



ACCO® Acco Material Handling Solutions 800-967-7333 www.accomhs.com

WARNING

Equipment described herein is not designed for, and should not be used for, lifting, supporting, or transporting humans. Modifications to upgrade, rerate, or otherwise alter the hoist or crane equipment shall be authorized only by the original manufacturer or qualified professional engineer. Failure to comply with any one of the limitations noted herein may result in serious bodily injury.
© 2012 ACCO Material Handling Solutions

WRIGHT®
Work-Rated®
THE NEW CENTURY SERIES®

Top Running Trolley Hoist
Series 32

2 Part Single Reeved
3/8 Diameter Rope

2 TON

Electric Wire Rope Hoists
Issued 06-03-13

For Pricing See Page 2t

MODEL NUMBER	Lift (Ft)	Lift Speed (FPM)	HP	B	C	J	K	Trolley Drive		Hook Travel	Wheel Gage (WG)	Drum
								Single Speed	Two Speed			
								F (a)	F (a)	HT		
C2W02S017-15T2S0	17	15	3	16-1/4	16-15/16	22-3/16	23-1/16	16-5/8	17-5/8	2-1/4	60	1
C2W02S033-15T2S0	33	15	3	21-7/8	18-13/16	16-9/16	21-3/16	16-5/8	17-5/8	4-1/8	60	3
C2W02S051-15T2S0	51	15	3	28-7/16	21	10	19	16-5/8	17-5/8	6-5/16	60	4
C2W02S083-15T2S0	83	15	3	39-11/16	24-3/4	7-3/4	24-1/4	16-5/8	17-5/8	10-1/16	78	6
C2W02S017-22T2S0	17	22	3	16-1/4	16-15/16	22-3/16	23-1/16	16-5/8	17-5/8	2-1/4	60	1
C2W02S033-22T2S0	33	22	3	21-7/8	18-13/16	16-9/16	21-3/16	16-5/8	17-5/8	4-1/8	60	3
C2W02S051-22T2S0	51	22	3	28-7/16	21	10	19	16-5/8	17-5/8	6-5/16	60	4
C2W02S083-22T2S0	83	22	3	39-11/16	24-3/4	7-3/4	24-1/4	16-5/8	17-5/8	10-1/16	78	6
C2W02S017-30T2S0	17	30	5	16-1/4	16-15/16	22-3/16	23-1/16	16-5/8	17-5/8	2-1/4	60	1
C2W02S033-30T2S0	33	30	5	21-7/8	18-13/16	16-9/16	21-3/16	16-5/8	17-5/8	4-1/8	60	3
C2W02S051-30T2S0	51	30	5	28-7/16	21	10	19	16-5/8	17-5/8	6-5/16	60	4
C2W02S083-30T2S0	83	30	5	39-11/16	24-3/4	7-3/4	24-1/4	16-5/8	17-5/8	10-1/16	78	6

All dimensions shown in inches unless otherwise specified.

(a) Trolley brake is available as optional equipment. Add 5-1/8" to dimension F.

(b) Four rubber bumpers are available as optional equipment.

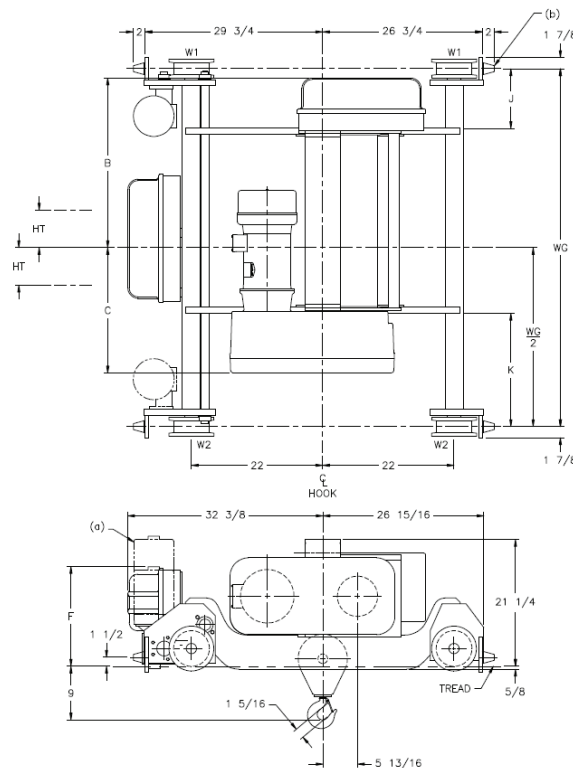
Rail gage (beam spacing of the crane) must match wheel gage of the top running trolley hoist based on lift and drum length.

All two speed motors are 1800/600 RPM.

TROLLEY DATA:	Speed	32 FPM	65 FPM	125 FPM	
	HP	1/2	1/2	1/2	(2 OF EACH REQUIRED FOR 78 WHEEL GAGE)

WHEEL LOADING			
Lift (Ft)	Weight	Pounds Per Wheel (Max)	
		W1	W2
17	1198	1415	1442
33	1244	1425	1672
51	1297	1690	1805
83	1389	1617	1850

Wheel Dia. 6
Max. Rail Size - 30 #/Yd.



ACCO Acco Material Handling Solutions 800-967-7333 www.accomhs.com

WARNING

Equipment described herein is not designed for, and should not be used for, lifting, supporting, or transporting humans. Modifications to upgrade, rerate, or otherwise alter the hoist or crane equipment shall be authorized only by the original manufacturer or qualified professional engineer. Failure to comply with any one of the limitations noted herein may result in serious bodily injury.
© 2013 ACCO Material Handling Solutions

WRIGHT®

Work-Rated®

THE NEW CENTURY SERIES®

Top Running Trolley Hoist Series 33

2 Part Single Reeved
1/2 Diameter Rope

2 TON

Electric Wire Rope Hoists

Issued 06-01-12

For Pricing See Page 2t

MODEL NUMBER	Lift (Ft)	Lift Speed (FPM)	HP	B	C	J	K	Trolley Drive		Hook Travel	Wheel Gage (WG)	Drum
								Single Speed	Two Speed			
								F (a)	F (a)	HT		
C3W02S017-44T2S0	17	44	7-1/2	19-1/4	17-1/2	21	22-5/16	16-5/8	17-5/8	2-3/8	60	1
C3W02S041-44T2S0	41	44	7-1/2	24-9/16	20-5/16	13-13/16	19-1/2	16-5/8	17-5/8	4-15/16	60	2
C3W02S064-44T2S0	64	44	7-1/2	32-13/16	23-1/16	5-9/16	16-3/4	16-5/8	17-5/8	7-11/16	60	3
C3W02S091-44T2S0	91	44	7-1/2	42-9/16	26-5/16	4-13/16	22-1/2	16-5/8	17-5/8	10-15/16	78	4
C3W02S133-44T2S0	133	44	7-1/2	57-9/16	31-5/16	10-13/16	38-1/2	16-5/8	17-5/8	15-15/16	120	5

All dimensions shown in inches unless otherwise specified.

(a) Trolley brake is available as optional equipment. Add 5-1/8" to dimension F.

(b) Four rubber bumpers are available as optional equipment.

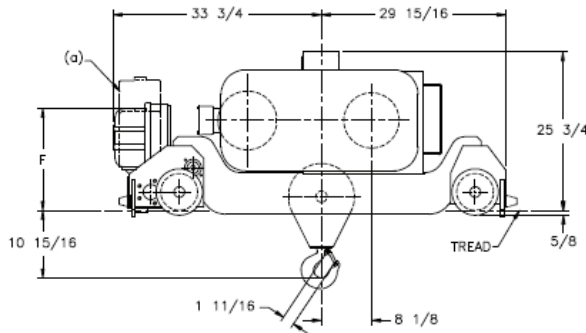
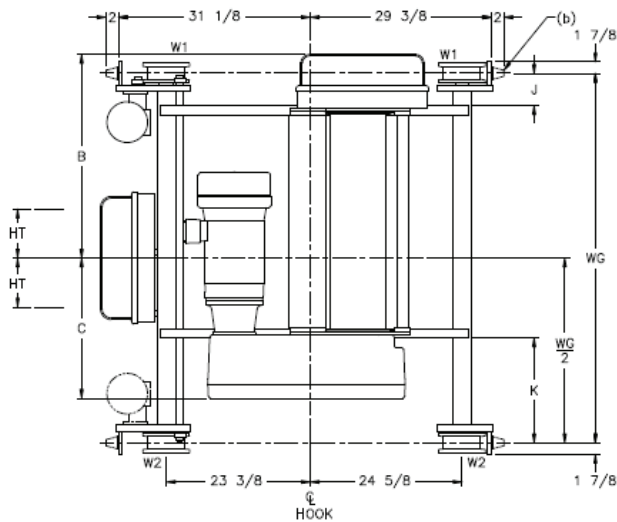
Rail gage (beam spacing of the crane) must match wheel gage of the top running trolley hoist based on lift and drum length.

All two speed motors are 1800/600 RPM.

TROLLEY DATA:	Speed	32 FPM	65 FPM	125 FPM	
	HP	1/2	1/2	1/2	(2 OF EACH REQUIRED FOR 78 & 120 WHEEL GAGES)

WHEEL LOADING			
Lift (Ft)	Weight	Pounds Per Wheel (Max)	
		W1	W2
17	1628	1465	1503
41	1719	1575	1610
64	1820	1707	1712
91	1974	1789	1755
133	2362	1885	1825

Wheel Dia. 6
Max. Rail Size - 30 #/Yd.



800-967-7333 www.accomhs.com



Equipment described herein is not designed for, and should not be used for, lifting, supporting, or transporting humans. Modifications to upgrade, rerate, or otherwise alter the hoist or crane equipment shall be authorized only by the original manufacturer or qualified professional engineer. Failure to comply with any one of the limitations noted herein may result in serious bodily injury.

© 2012 ACCO Material Handling Solutions

WRIGHT®

Work-Rated®

THE NEW CENTURY SERIES®

Electric Wire Rope Hoists

Issued 06-03-13

Top Running Trolley Hoist

Series 32

2 Part Single Reeved
3/8 Diameter Rope

3 TON

For Pricing See Page 3t

MODEL NUMBER	Lift (Ft)	Lift Speed (FPM)	HP	B	C	J	K	Trolley Drive		Hook Travel	Wheel Gage (WG)	Drum
								Single Speed	Two Speed			
								F (a)	F (a)	HT		
C2W03S017-15T2S0	17	15	3	16-1/4	16-15/16	22-3/16	23-1/16	16-5/8	17-5/8	2-1/4	60	1
C2W03S033-15T2S0	33	15	3	21-7/8	18-13/16	16-9/16	21-3/16	16-5/8	17-5/8	4-1/8	60	3
C2W03S051-15T2S0	51	15	3	28-7/16	21	10	19	16-5/8	17-5/8	6-5/16	60	4
C2W03S083-15T2S0	83	15	3	39-11/16	24-3/4	7-3/4	24-1/4	16-5/8	17-5/8	10-1/16	78	6
C2W03S017-22T2S0	17	22	5	16-1/4	16-15/16	22-3/16	23-1/16	16-5/8	17-5/8	2-1/4	60	1
C2W03S033-22T2S0	33	22	5	21-7/8	18-13/16	16-9/16	21-3/16	16-5/8	17-5/8	4-1/8	60	3
C2W03S051-22T2S0	51	22	5	28-7/16	21	10	19	16-5/8	17-5/8	6-5/16	60	4
C2W03S083-22T2S0	83	22	5	39-11/16	24-3/4	7-3/4	24-1/4	16-5/8	17-5/8	10-1/16	78	6

All dimensions shown in inches unless otherwise specified.

(a) Trolley brake is available as optional equipment. Add 5-1/8" to dimension F.

(b) Four rubber bumpers are available as optional equipment.

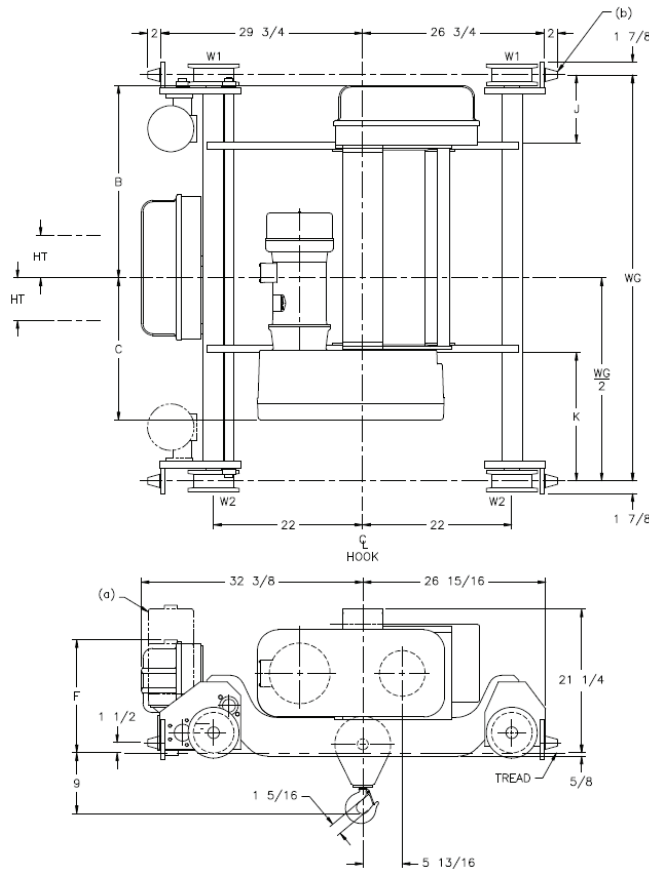
Rail gage (beam spacing of the crane) must match wheel gage of the top running trolley hoist based on lift and drum length.

All two speed motors are 1800/600 RPM.

TROLLEY DATA:	Speed	32 FPM	65 FPM	125 FPM	
	HP	1/2	1/2	1/2	(2 OF EACH REQUIRED FOR 78 WHEEL GAGE)

WHEEL LOADING			
Lift (Ft)	Weight	Pounds Per Wheel (Max)	
		W1	W2
17	1198	1915	1942
33	1244	1925	2172
51	1297	2190	2305
83	1389	2117	2350

Wheel Dia. 6
Max. Rail Size - 30 #/Yd.



ACCO Acco Material Handling Solutions 800-967-7333 www.accomhs.com

WARNING

Equipment described herein is not designed for, and should not be used for, lifting, supporting, or transporting humans. Modifications to upgrade, rerate, or otherwise alter the hoist or crane equipment shall be authorized only by the original manufacturer or qualified professional engineer. Failure to comply with any one of the limitations noted herein may result in serious bodily injury.
© 2013 ACCO Material Handling Solutions

WRIGHT®

Work-Rated®

THE NEW CENTURY SERIES®

Top Running Trolley Hoist
Series 33

2 Part Single Reeved
1/2 Diameter Rope

3 TON

Electric Wire Rope Hoists

Issued 06-01-12

For Pricing See Page 3t

MODEL NUMBER	Lift (Ft)	Lift Speed (FPM)	HP	B	C	J	K	Trolley Drive		Hook Travel	Wheel Gage (WG)	Drum
								Single Speed	Two Speed			
								F (a)	F (a)	HT		
C3W03S017-30T2S0	17	30	7-1/2	19-1/4	17-1/2	21	22-5/16	16-5/8	17-5/8	2-3/8	60	1
C3W03S041-30T2S0	41	30	7-1/2	24-9/16	20-5/16	13-13/16	19-1/2	16-5/8	17-5/8	4-15/16	60	2
C3W03S064-30T2S0	64	30	7-1/2	32-13/16	23-1/16	5-9/16	16-3/4	16-5/8	17-5/8	7-11/16	60	3
C3W03S091-30T2S0	91	30	7-1/2	42-9/16	26-5/16	4-13/16	22-1/2	16-5/8	17-5/8	10-15/16	78	4
C3W03S133-30T2S0	133	30	7-1/2	57-9/16	31-5/16	10-13/16	38-1/2	16-5/8	17-5/8	15-15/16	120	5
C3W03S017-44T2S0	17	44	10	19-1/4	17-1/2	21	22-5/16	16-5/8	17-5/8	2-3/8	60	1
C3W03S041-44T2S0	41	44	10	24-9/16	20-5/16	13-13/16	19-1/2	16-5/8	17-5/8	4-15/16	60	2
C3W03S064-44T2S0	64	44	10	32-13/16	23-1/16	5-9/16	16-3/4	16-5/8	17-5/8	7-11/16	60	3
C3W03S091-44T2S0	91	44	10	42-9/16	26-5/16	4-13/16	22-1/2	16-5/8	17-5/8	10-15/16	78	4
C3W03S133-44T2S0	133	44	10	57-9/16	31-5/16	10-13/16	38-1/2	16-5/8	17-5/8	15-15/16	120	5

All dimensions shown in inches unless otherwise specified.

(a) Trolley brake is available as optional equipment. Add 5-1/8" to dimension F.

(b) Four rubber bumpers are available as optional equipment.

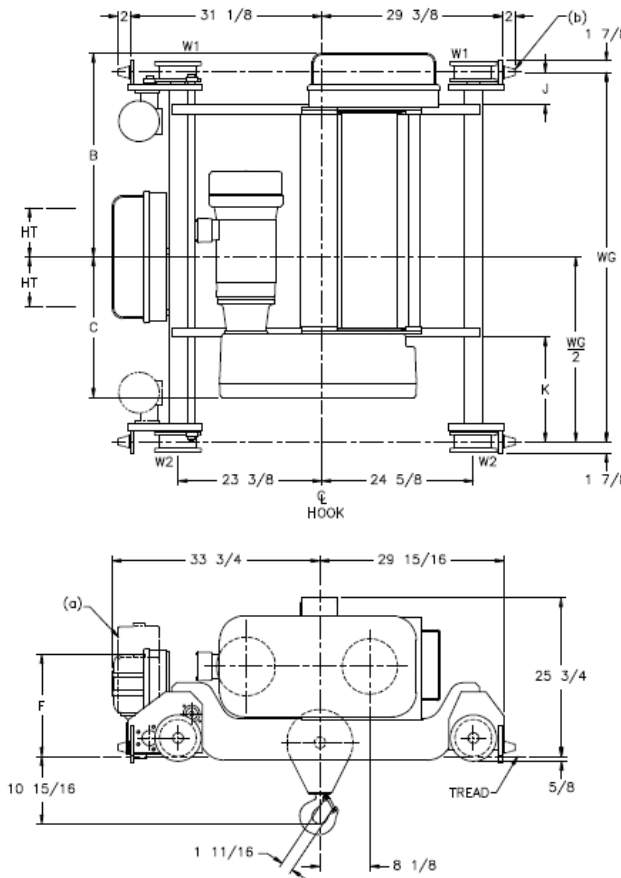
Rail gage (beam spacing of the crane) must match wheel gage of the top running trolley hoist based on lift and drum length.

All two speed motors are 1800/600 RPM.

TROLLEY DATA:	Speed	32 FPM	65 FPM	125 FPM	
	HP	1/2	1/2	1/2	(2 OF EACH REQUIRED FOR 78 & 120 WHEEL GAGES)

WHEEL LOADING			
Lift (Ft)	Weight	Pounds Per Wheel (Max)	
		W1	W2
17	1628	2004	2041
41	1719	2156	2193
64	1820	2334	2339
91	1974	2429	2395
133	2362	2517	2457

Wheel Dia. 6
Max. Rail Size - 30 #/Yd.



ACCO Acco Material Handling Solutions 800-967-7333 www.accomhs.com

WARNING

Equipment described herein is not designed for, and should not be used for, lifting, supporting, or transporting humans. Modifications to upgrade, rerate, or otherwise alter the hoist or crane equipment shall be authorized only by the original manufacturer or qualified professional engineer. Failure to comply with any one of the limitations noted herein may result in serious bodily injury.
© 2012 ACCO Material Handling Solutions



Top Running Trolley Hoist Series 33

5 TON

THE NEW CENTURY SERIES®

2 Part Single Reeved
1/2 Diameter Rope

Electric Wire Rope Hoists

Issued 06-01-12

For Pricing See Page 4t

MODEL NUMBER	Lift (Ft)	Lift Speed (FPM)	HP	B	C	J	K	Trolley Drive		Hook Travel HT	Wheel Gage (WG)	Drum
								Single Speed F (a)	Two Speed F (a)			
								C3W05S017-22T2S0	17			
C3W05S041-22T2S0	41	22	7-1/2	24-9/16	20-5/16	13-13/16	19-1/2	16-5/8	17-5/8	4-15/16	60	2
C3W05S064-22T2S0	64	22	7-1/2	32-13/16	23-1/16	5-9/16	16-3/4	16-5/8	17-5/8	7-11/16	60	3
C3W05S091-22T2S0	91	22	7-1/2	42-9/16	26-5/16	4-13/16	22-1/2	16-5/8	17-5/8	10-15/16	78	4
C3W05S133-22T2S0	133	22	7-1/2	57-9/16	31-5/16	10-13/16	38-1/2	16-5/8	17-5/8	15-15/16	120	5
C3W05S017-30T2S0	17	30	10	19-1/4	17-1/2	21	22-5/16	16-5/8	17-5/8	2-3/8	60	1
C3W05S041-30T2S0	41	30	10	24-9/16	20-5/16	13-13/16	19-1/2	16-5/8	17-5/8	4-15/16	60	2
C3W05S064-30T2S0	64	30	10	32-13/16	23-1/16	5-9/16	16-3/4	16-5/8	17-5/8	7-11/16	60	3
C3W05S091-30T2S0	91	30	10	42-9/16	26-5/16	4-13/16	22-1/2	16-5/8	17-5/8	10-15/16	78	4
C3W05S133-30T2S0	133	30	10	57-9/16	31-5/16	10-13/16	38-1/2	16-5/8	17-5/8	15-15/16	120	5

All dimensions shown in inches unless otherwise specified.

(a) Trolley brake is available as optional equipment. Add 5-1/8" to dimension F.

(b) Four rubber bumpers are available as optional equipment.

Rail gage (beam spacing of the crane) must match wheel gage of the top running trolley hoist based on lift and drum length.

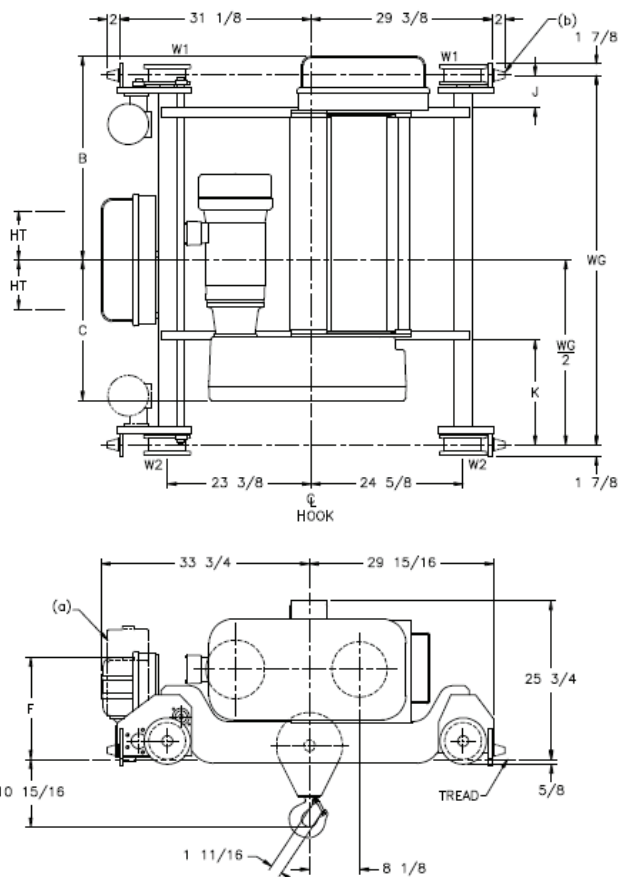
All two speed motors are 1800/600 RPM.

TROLLEY DATA:	Speed	32 FPM	65 FPM	125 FPM	
	HP	1/2	1/2	1/2	(2 OF EACH REQUIRED FOR 78 & 120 WHEEL GAGES)

WHEEL LOADING			
Lift (Ft)	Weight	Pounds Per Wheel (Max)	
		W1	W2
17	1628	3081	3118
41	1719	3329	3343
64	1820	3588	3593
91	1974	3708	3674
133	2362	3782	3722

Wheel Dia. 6

Max. Rail Size - 30 #/Yd.



800-967-7333 www.accomhs.com



Equipment described herein is not designed for, and should not be used for, lifting, supporting, or transporting humans. Modifications to upgrade, rerate, or otherwise alter the hoist or crane equipment shall be authorized only by the original manufacturer or qualified professional engineer. Failure to comply with any one of the limitations noted herein may result in serious bodily injury.

© 2012 ACCO Material Handling Solutions

WRIGHT® Work-Rated®

THE NEW CENTURY SERIES®

Electric Wire Rope Hoists

Issued 06-01-12

Top Running Trolley Hoist Series 33

4 Part Single Reeved
1/2 Diameter Rope

7 1/2 TON

For Pricing See Page 5t

MODEL NUMBER	Lift (Ft)	Lift Speed (FPM)	HP	B	C	J	K	Trolley Drive		Hook Travel	Wheel Gage (WG)	Drum
								Single Speed	Two Speed			
								F (a)	F (a)	HT		
C3W07S024-15T4S0	24	15	7-1/2	34-15/16	20-15/16	3-5/8	19-1/8	17-9/16	18-9/16	2-3/4	60	3
C3W07S038-15T4S0	38	15	7-1/2	46-7/16	22-7/16	9-7/8	35-3/8	17-9/16	18-9/16	4-1/4	96	4
C3W07S059-15T4S0	59	15	7-1/2	63-15/16	24-15/16	4-3/8	44-7/8	17-9/16	18-9/16	6-3/4	120	5
C3W07S024-22T4S0	24	22	10	34-15/16	20-15/16	3-5/8	19-1/8	17-9/16	18-9/16	2-3/4	60	3
C3W07S038-22T4S0	38	22	10	46-7/16	22-7/16	9-7/8	35-3/8	17-9/16	18-9/16	4-1/4	96	4
C3W07S059-22T4S0	59	22	10	63-15/16	24-15/16	4-3/8	44-7/8	17-9/16	18-9/16	6-3/4	120	5

All dimensions shown in inches unless otherwise specified.

(a) Trolley brake is available as optional equipment. Add 5-1/8" to dimension F.

(b) Four rubber bumpers are available as optional equipment.

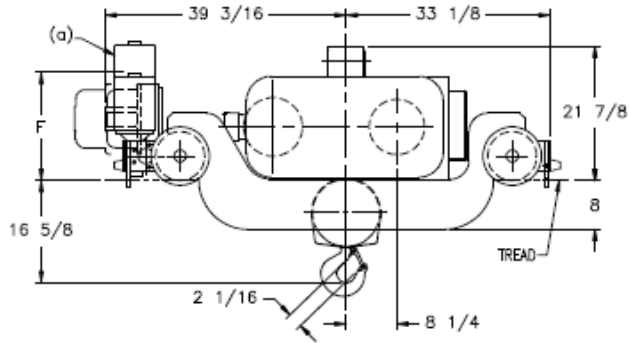
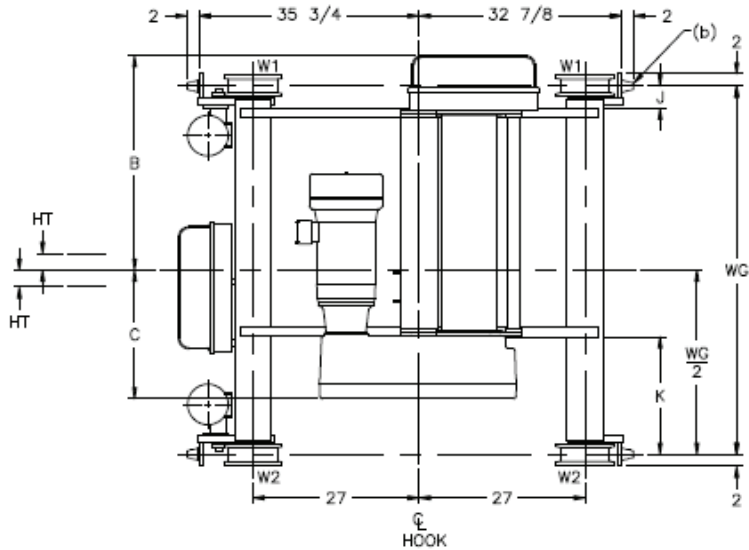
Rail gage (beam spacing of the crane) must match wheel gage of the top running trolley hoist based on lift and drum length.

All two speed motors are 1800/600 RPM.

TROLLEY DATA: Speed 32 FPM 65 FPM 125 FPM
 HP 1/2 1/2 1/2 (2 OF EACH REQUIRED FOR 96 & 120 WHEEL GAGES)

WHEEL LOADING			
Lift (Ft)	Weight	Pounds Per Wheel (Max)	
		W1	W2
24	2319	4605	4742
38	2693	4731	4780
59	3053	4959	4921

Wheel Dia. 8
 Max. Rail Size - 30 #/Yd.



WRIGHT®
Work-Rated®

THE NEW CENTURY SERIES®

Electric Wire Rope Hoists

Issued 06-01-12

Top Running Trolley Hoist

Series 33

4 Part Single Reeved
1/2 Diameter Rope

10 TON

For Pricing See Page 6t

MODEL NUMBER	Lift (Ft)	Lift Speed (FPM)	HP	B	C	J	K	Trolley Drive		Hook Travel	Wheel Gage (WG)	Drum
								Single Speed	Two Speed			
								F (a)	F (a)	HT		
C3W10S024-15T4S0	24	15	10	34-15/16	20-15/16	3-5/8	19-1/8	17-9/16	18-9/16	2-3/4	60	3
C3W10S038-15T4S0	38	15	10	46-7/16	22-7/16	9-7/8	35-3/8	17-9/16	18-9/16	4-1/4	96	4
C3W10S059-15T4S0	59	15	10	63-15/16	24-15/16	4-3/8	44-7/8	17-9/16	18-9/16	6-3/4	120	5

All dimensions shown in inches unless otherwise specified.

(a) Trolley brake is available as optional equipment. Add 5-1/8" to dimension F.

(b) Four rubber bumpers are available as optional equipment.

Rail gage (beam spacing of the crane) must match wheel gage of the top running trolley hoist based on lift and drum length.

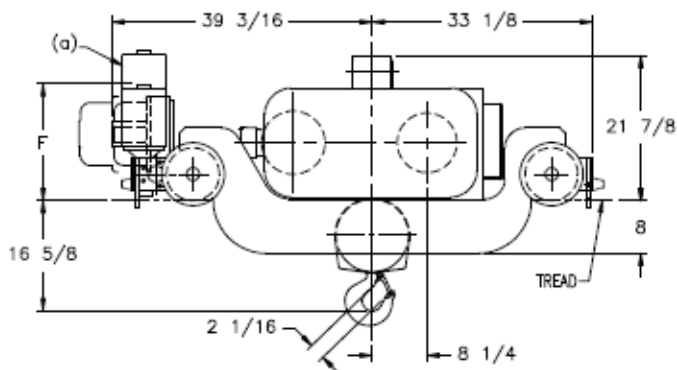
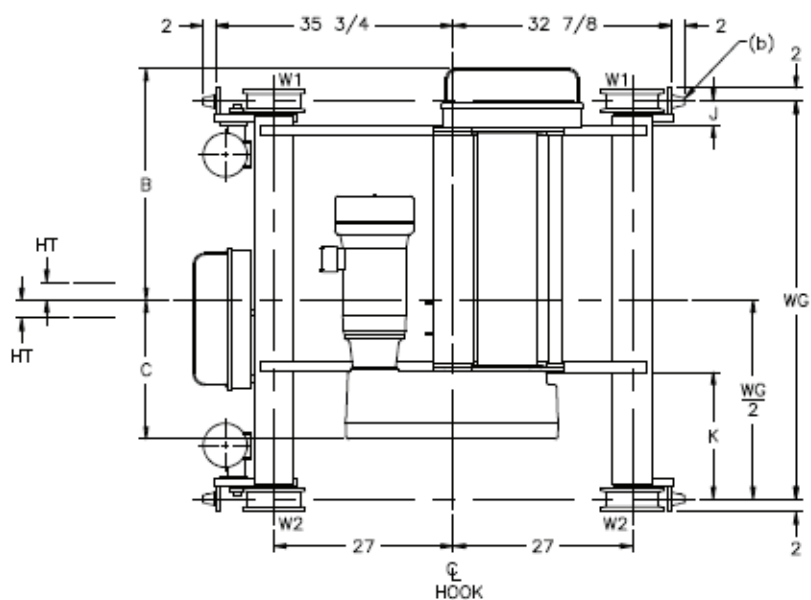
All two speed motors are 1800/600 RPM.

TROLLEY DATA:	Speed	32 FPM	65 FPM	125 FPM	
	HP	1/2	1/2	1	(2 OF EACH REQUIRED FOR 96 & 120 WHEEL GAGES)

WHEEL LOADING			
Lift (Ft)	Weight	Pounds Per Wheel (Max)	
		W1	W2
24	2319	5970	6170
38	2693	6092	6140
59	3053	6350	6302

Wheel Dia. 8

Max. Rail Size - 30 #/Yd.



ACCO Acco Material Handling Solutions

800-967-7333 www.accomhs.com

WARNING

Equipment described herein is not designed for, and should not be used for, lifting, supporting, or transporting humans. Modifications to upgrade, rerate, or otherwise alter the hoist or crane equipment shall be authorized only by the original manufacturer or qualified professional engineer. Failure to comply with any one of the limitations noted herein may result in serious bodily injury.

© 2012 ACCO Material Handling Solutions

WRIGHT®
Work-Rated®

Top Running Trolley Hoist
Series 34

10 TON

4 Part Single Reeved
5/8 Diameter Rope

THE NEW CENTURY SERIES®

Electric Wire Rope Hoists

Issued 06-01-12

For Pricing See Page 6t

MODEL NUMBER	Lift (Ft)	Lift Speed (FPM)	HP	B	C	J	K	Trolley Drive		Hook Travel	Wheel Gage (WG)	Drum
								Single Speed	Two Speed			
								F (a)	F (a)	HT		
C4W10S025-22T4S0	25	22	15	37-3/4	26-1/8	9-1/4	26-3/4	15-7/8	18-3/8	2-7/8	78	3
C4W10S038-22T4S0	38	22	15	48-1/4	27-5/8	7-3/4	34-1/4	15-7/8	18-3/8	4-3/8	96	4

All dimensions shown in inches unless otherwise specified.

(a) Trolley brake is available as optional equipment. Add 5-1/8" to dimension F.

(b) Four rubber bumpers are available as optional equipment.

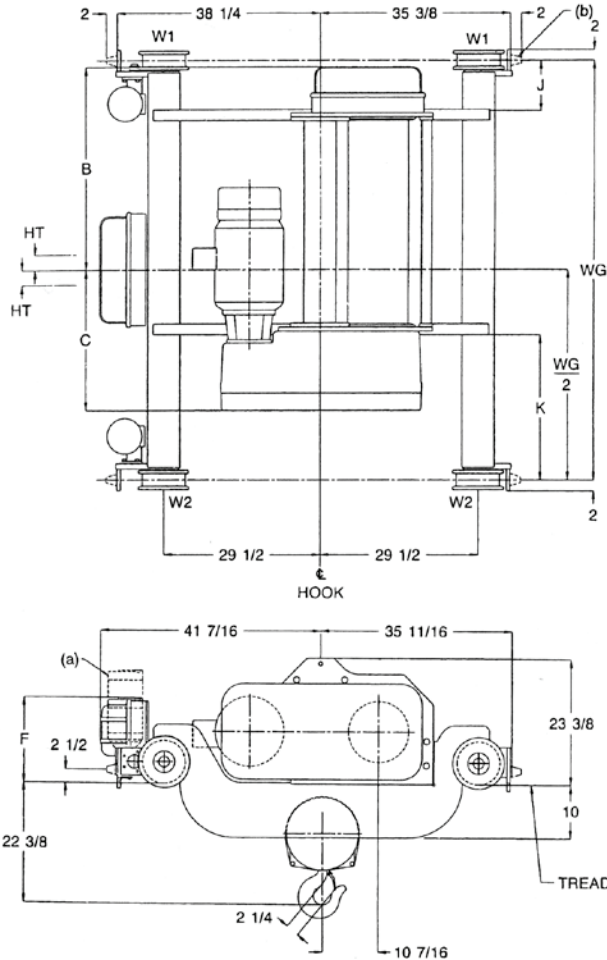
Rail gage (beam spacing of the crane) must match wheel gage of the top running trolley hoist based on lift and drum length.

All two speed motors are 1800/600 RPM.

TROLLEY DATA:	Speed	32 FPM	65 FPM	125 FPM	
	HP	1/2	1/2	1	(2 OF EACH REQUIRED FOR ALL WHEEL GAGES)

WHEEL LOADING			
Lift (Ft)	Weight	Pounds Per Wheel (Max)	
		W1	W2
25	3464	6248	6221
38	3696	6448	6311

Wheel Dia. 8
Max. Rail Size - 30 #/Yd.



ACCO Acco Material Handling Solutions 800-967-7333 www.accomhs.com

WARNING

Equipment described herein is not designed for, and should not be used for, lifting, supporting, or transporting humans. Modifications to upgrade, rerate, or otherwise alter the hoist or crane equipment shall be authorized only by the original manufacturer or qualified professional engineer. Failure to comply with any one of the limitations noted herein may result in serious bodily injury.
© 2012 ACCO Material Handling Solutions

WRIGHT®
 Work-Rated®
 THE NEW CENTURY SERIES®

Top Running Trolley Hoist

Series 34

4 Part Single Reeved
 5/8 Diameter Rope

15 TON

Electric Wire Rope Hoists
 Issued 06-01-12

For Pricing See Page 7t

MODEL NUMBER	Lift (Ft)	Lift Speed (FPM)	HP	B	C	J	K	Trolley Drive		Hook Travel	Wheel Gage (WG)	Drum
								Single Speed	Two Speed			
								F (a)	F (a)	HT		
C4W15S025-15T4S0	25	15	15	37-3/4	26-1/8	9-1/4	26-3/4	15-7/8	18-3/8	2-7/8	78	3
C4W15S038-15T4S0	38	15	15	48-1/4	27-5/8	7-3/4	34-1/4	15-7/8	18-3/8	4-3/8	96	4

All dimensions shown in inches unless otherwise specified.

(a) Trolley brake is available as optional equipment. Add 5-1/8" to dimension F.

(b) Four rubber bumpers are available as optional equipment.

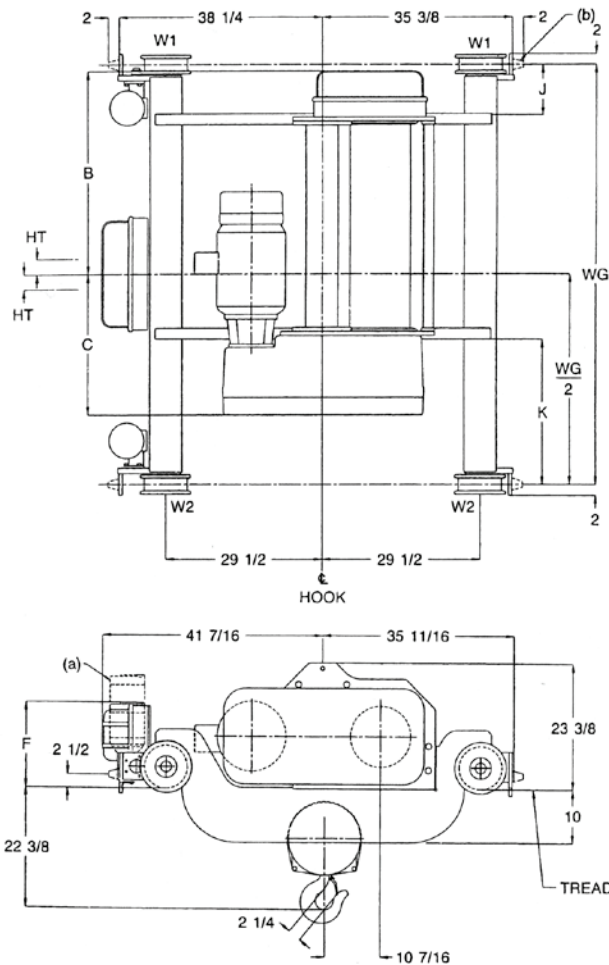
Rail gage (beam spacing of the crane) must match wheel gage of the top running trolley hoist based on lift and drum length.

All two speed motors are 1800/600 RPM.

TROLLEY DATA:	Speed	32 FPM	65 FPM	125 FPM	
	HP	1/2	1/2	1	(2 OF EACH REQUIRED FOR ALL WHEEL GAGES)

WHEEL LOADING			
Lift (Ft)	Weight	Pounds Per Wheel (Max)	
		W1	W2
25	3464	8932	8905
38	3696	9176	9039

Wheel Dia. 8
 Max. Rail Size - 30 #/Yd.



ACCO Acco Material Handling Solutions 800-967-7333 www.accomhs.com

WARNING

Equipment described herein is not designed for, and should not be used for, lifting, supporting, or transporting humans. Modifications to upgrade, rerate, or otherwise alter the hoist or crane equipment shall be authorized only by the original manufacturer or qualified professional engineer. Failure to comply with any one of the limitations noted herein may result in serious bodily injury.
 © 2012 ACCO Material Handling Solutions

WRIGHT®
Work-Rated®

Top Running Trolley Hoist
Series 35

15 TON

4 Part Single Reeved
3/4 Diameter Rope

THE NEW CENTURY SERIES®

Electric Wire Rope Hoists

Issued 06-01-12

For Pricing See Page 7f

MODEL NUMBER	Lift (Ft)	Lift Speed (FPM)	HP	B	C	J	K	Trolley Drive		Hook Travel	Wheel Gage (WG)	Drum
								Single Speed	Two Speed			
								F (a)	F (a)	HT		
C5W15S021*-22T4S0	21	22	20	36-7/8	28-5/8	10-1/2	25-1/4	15-7/8	18-3/8	2-5/8	78	3
C5W15S034*-22T4S0	34	22	20	47-3/8	30-1/8	9	32-3/4	15-7/8	18-3/8	4-1/8	96	4

All dimensions shown in inches unless otherwise specified.

(a) Trolley brake is available as optional equipment. Add 5-1/8" to dimension F.

(b) Four rubber bumpers are available as optional equipment.

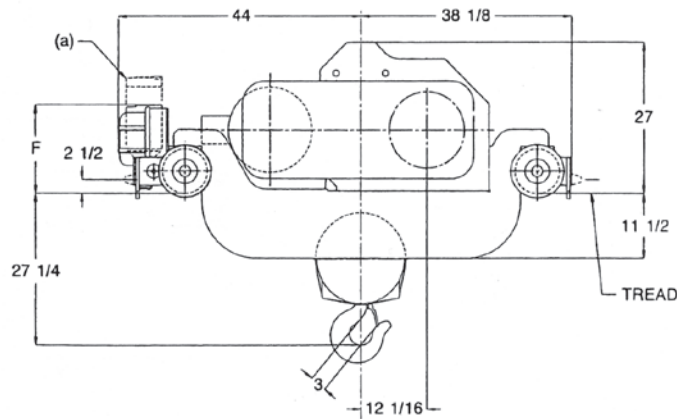
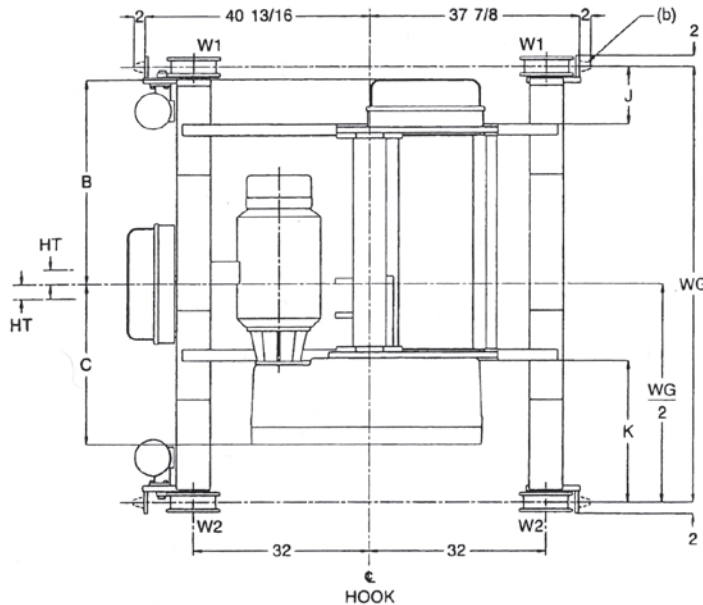
Rail gage (beam spacing of the crane) must match wheel gage of the top running trolley hoist based on lift and drum length.

All two speed motors are 1800/600 RPM.

TROLLEY DATA:	Speed	32 FPM	65 FPM	125 FPM	
	HP	1/2	1/2	1	(2 OF EACH REQUIRED FOR ALL WHEEL GAGES)

WHEEL LOADING			
Lift (Ft)	Weight	Pounds Per Wheel (Max)	
		W1	W2
21	4535	9185	9092
34	4900	9487	9253

Wheel Dia. 8
Max. Rail Size - 30 #/Yd.



ACCO Acco Material Handling Solutions 800-967-7333 www.accomhs.com

WARNING

Equipment described herein is not designed for, and should not be used for, lifting, supporting, or transporting humans. Modifications to upgrade, rerate, or otherwise alter the hoist or crane equipment shall be authorized only by the original manufacturer or qualified professional engineer. Failure to comply with any one of the limitations noted herein may result in serious bodily injury.
© 2012 ACCO Material Handling Solutions

WRIGHT®

Work-Rated®

THE NEW CENTURY SERIES®

Electric Wire Rope Hoists

Issued 06-01-12

Top Running Trolley Hoist

Series 35

4 Part Single Reeved
3/4 Diameter Rope

20 TON

For Pricing See Page 8t

MODEL NUMBER	Lift (Ft)	Lift Speed (FPM)	HP	B	C	J	K	Trolley Drive		Hook Travel HT	Wheel Gage (WG)	Drum
								Single Speed	Two Speed			
								F (a)	F (a)			
C5W20S021-15T4S0	21	15	20	36-7/8	28-5/8	10-1/2	25-1/4	15-7/8	18-3/8	2-5/8	78	3
C5W20S034-15T4S0	34	15	20	47-3/8	30-1/8	9	32-3/4	15-7/8	18-3/8	4-1/8	96	4

All dimensions shown in inches unless otherwise specified.

(a) Trolley brake is available as optional equipment. Add 5-1/8" to dimension F.

(b) Four rubber bumpers are available as optional equipment.

Rail gage (beam spacing of the crane) must match wheel gage of the top running trolley hoist based on lift and drum length.

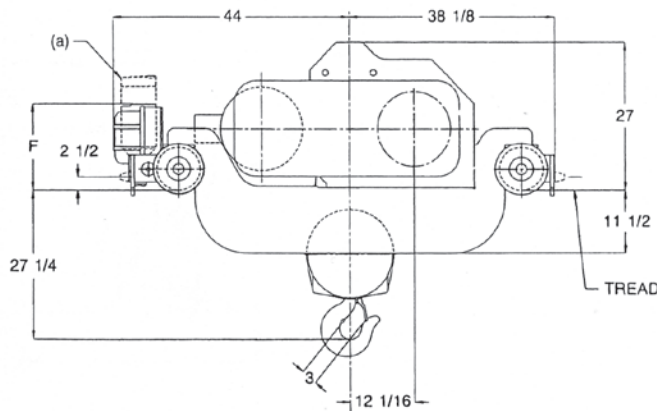
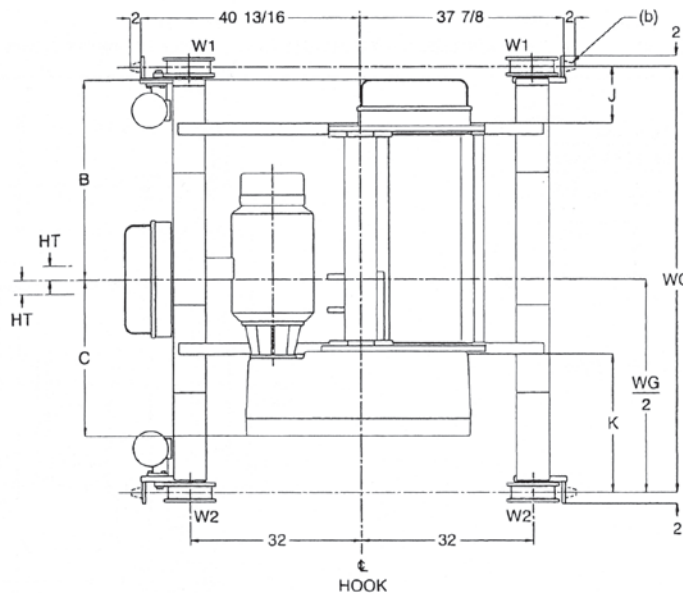
All two speed motors are 1800/600 RPM.

TROLLEY DATA:	Speed	32 FPM	65 FPM	125 FPM	
	HP	1/2	1	N.A.	(2 OF EACH REQUIRED FOR ALL WHEEL GAGES)

WHEEL LOADING			
Lift (Ft)	Weight	Pounds Per Wheel (Max)	
		W1	W2
21	4535	11854	11760
34	4900	12202	11967

Wheel Dia. 8

Max. Rail Size - 30 #/Yd.



ACCO Acco Material Handling Solutions 800-967-7333 www.accomhs.com

WARNING

Equipment described herein is not designed for, and should not be used for, lifting, supporting, or transporting humans. Modifications to upgrade, rerate, or otherwise alter the hoist or crane equipment shall be authorized only by the original manufacturer or qualified professional engineer. Failure to comply with any one of the limitations noted herein may result in serious bodily injury.

© 2012 ACCO Material Handling Solutions



Top Running Trolley Hoist Series 32

1 TON

2 Part Double Reeved
3/8 Diameter Rope

THE NEW CENTURY SERIES®

Electric Wire Rope Hoists

Issued 06-01-12

For Pricing See Page 9t

MODEL NUMBER	Lift (Ft)	Lift Speed (FPM)	HP	B	C	Trolley Drive		Wheel Gage (WG)	Drum
						Single Speed	Two Speed		
						F (a)	F(a)		
C2W01D020-15T2D0	20	15	3	23-3/8	25-7/8	16-5/8	17-5/8	60	4
C2W01D036-15T2D0	36	15	3	30-7/8	33-3/8	16-5/8	17-5/8	60	6
C2W01D060-15T2D0	60	15	3	42-1/2	44-1/2	16-5/8	17-5/8	78	7
C2W01D085-15T2D0	85	15	3	53-3/4	56-1/4	16-5/8	17-5/8	108	8
C2W01D020-22T2D0	20	22	3	23-3/8	25-7/8	16-5/8	17-5/8	60	4
C2W01D036-22T2D0	36	22	3	30-7/8	33-3/8	16-5/8	17-5/8	60	6
C2W01D060-22T2D0	60	22	3	42-1/2	44-1/2	16-5/8	17-5/8	78	7
C2W01D085-22T2D0	85	22	3	53-3/4	56-1/4	16-5/8	17-5/8	108	8
C2W01D020-30T2D0	20	30	3	23-3/8	25-7/8	16-5/8	17-5/8	60	4
C2W01D036-30T2D0	36	30	3	30-7/8	33-3/8	16-5/8	17-5/8	60	6
C2W01D060-30T2D0	60	30	3	42-1/2	44-1/2	16-5/8	17-5/8	78	7
C2W01D085-30T2D0	85	30	3	53-3/4	56-1/4	16-5/8	17-5/8	108	8

All dimensions shown in inches unless otherwise specified.

(a) Trolley brake is available as optional equipment. Add 5-1/8" to dimension F.

(b) Four rubber bumpers are available as optional equipment.

Rail gage (beam spacing of the crane) must match wheel gage of the top running trolley hoist based on lift and drum length.

All two speed motors are 1800/600 RPM.

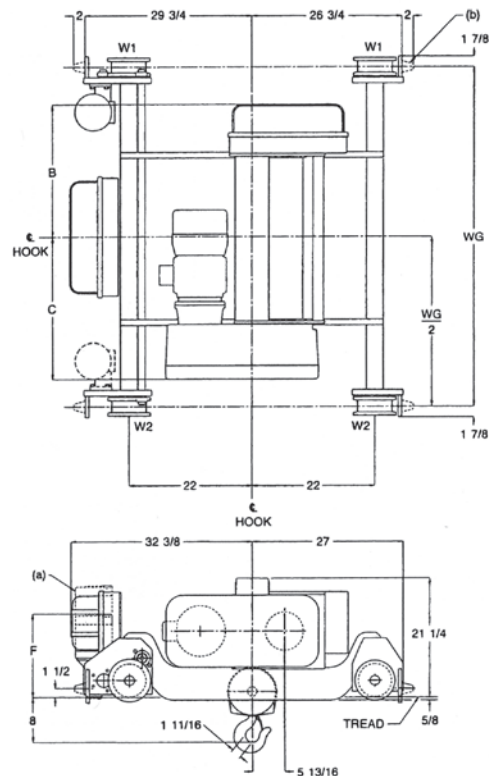
TROLLEY DATA:	Speed	32 FPM	65 FPM	125 FPM
	HP	1/2	1/2	1/2

(2 OF EACH REQUIRED FOR 78 & 108 WHEEL GAGES)

WHEEL LOADING			
Lift (Ft)	Weight	Pounds Per Wheel (Max)	
		W1	W2
20	1308	788	866
36	1399	790	910
60	1591	828	968
85	1790	880	1015

Wheel Dia. 6

Max. Rail Size - 30 #/Yd.



ACCO Acco Material Handling Solutions 800-967-7333 www.accomhs.com



Equipment described herein is not designed for, and should not be used for, lifting, supporting, or transporting humans. Modifications to upgrade, rerate, or otherwise alter the hoist or crane equipment shall be authorized only by the original manufacturer or qualified professional engineer. Failure to comply with any one of the limitations noted herein may result in serious bodily injury.

© 2012 ACCO Material Handling Solutions



Top Running Trolley Hoist Series 33

1 TON

THE NEW CENTURY SERIES®

2 Part Double Reeved
3/8 Diameter Rope

Electric Wire Rope Hoists

Issued 06-01-12

For Pricing See Page 9t

MODEL NUMBER	Lift (Ft)	Lift Speed (FPM)	HP	B	C	Trolley Drive		Wheel Gage (WG)	Drum
						Single Speed	Two Speed		
						F (a)	F (a)		
C3W01D020-44T2D0	20	44	7-1/2	21-1/8	23-5/8	16-5/8	17-5/8	60	2
C3W01D036-44T2D0	36	44	7-1/2	26-5/8	29-1/8	16-5/8	17-5/8	60	3
C3W01D054-44T2D0	54	44	7-11/2	33-1/8	35-5/8	16-5/8	17-5/8	60	4
C3W01D082-44T2D0	82	44	7-1/2	43-1/8	45-5/8	16-5/8	17-5/8	78	5
C3W01D118-44T2D0	118	44	7-1/2	55-5/8	58-1/8	16-5/8	17-5/8	108	6

All dimensions shown in inches unless otherwise specified.

(a) Trolley brake is available as optional equipment. Add 5-1/8" to dimension F.

(b) Four rubber bumpers are available as optional equipment.

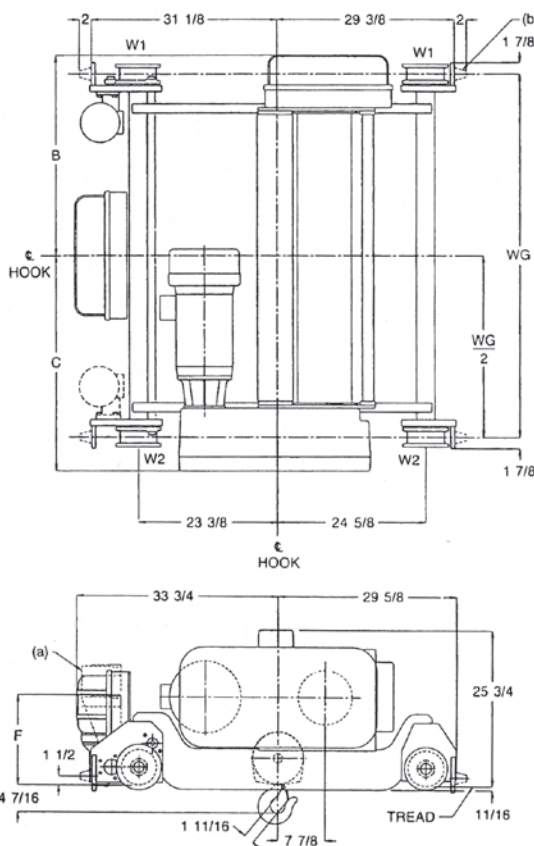
Rail gage (beam spacing of the crane) must match wheel gage of the top running trolley hoist based on lift and drum length.

All two speed motors are 1800/600 RPM.

TROLLEY DATA:	Speed	32 FPM	65 FPM	125 FPM	
	HP	1/2	1/2	1/2	(2 OF EACH REQUIRED FOR 78 & 108 WHEEL GAGES)

WHEEL LOADING			
Lift (Ft)	Weight	Pounds Per Wheel (Max)	
		W1	W2
20	1709	881	975
36	1803	882	1020
54	1912	883	1073
82	2120	925	1135
118	2426	1139	1400

Wheel Dia. 6
Max. Rail Size - 30 #/Yd.



ACCO Acco Material Handling Solutions 800-967-7333 www.accomhs.com



Equipment described herein is not designed for, and should not be used for, lifting, supporting, or transporting humans. Modifications to upgrade, rerate, or otherwise alter the hoist or crane equipment shall be authorized only by the original manufacturer or qualified professional engineer. Failure to comply with any one of the limitations noted herein may result in serious bodily injury.

© 2012 ACCO Material Handling Solutions



THE NEW CENTURY SERIES®

Electric Wire Rope Hoists

Issued 06-01-12

Top Running Trolley Hoist Series 32

2 Part Double Reeved
3/8 Diameter Rope

2 TON

For Pricing See Page 10t

MODEL NUMBER	Lift (Ft)	Lift Speed (FPM)	HP	B	C	Trolley Drive		Wheel Gage (WG)	Drum
						Single Speed	Two Speed		
						F (a)	F(a)		
C2W02D020-15T2D0	20	15	3	23-3/8	25-7/8	16-5/8	17-5/8	60	4
C2W02D036-15T2D0	36	15	3	30-7/8	33-3/8	16-5/8	17-5/8	60	6
C2W02D060-15T2D0	60	15	3	42-1/2	44-1/2	16-5/8	17-5/8	78	7
C2W02D085-15T2D0	85	15	3	53-3/4	56-1/4	16-5/8	17-5/8	108	8
C2W02D020-22T2D0	20	22	3	23-3/8	25-7/8	16-5/8	17-5/8	60	4
C2W02D036-22T2D0	36	22	3	30-7/8	33-3/8	16-5/8	17-5/8	60	6
C2W02D060-22T2D0	60	22	3	42-1/2	44-1/2	16-5/8	17-5/8	78	7
C2W02D085-22T2D0	85	22	3	53-3/4	56-1/4	16-5/8	17-5/8	108	8
C2W02D020-30T2D0	20	30	5	23-3/8	25-7/8	16-5/8	17-5/8	60	4
C2W02D036-30T2D0	36	30	5	30-7/8	33-3/8	16-5/8	17-5/8	60	6
C2W02D060-30T2D0	60	30	5	42-1/2	44-1/2	16-5/8	17-5/8	78	7
C2W02D085-30T2D0	85	30	5	53-3/4	56-1/4	16-5/8	17-5/8	108	8

All dimensions shown in inches unless otherwise specified.

(a) Trolley brake is available as optional equipment. Add 5-1/8" to dimension F.

(b) Four rubber bumpers are available as optional equipment.

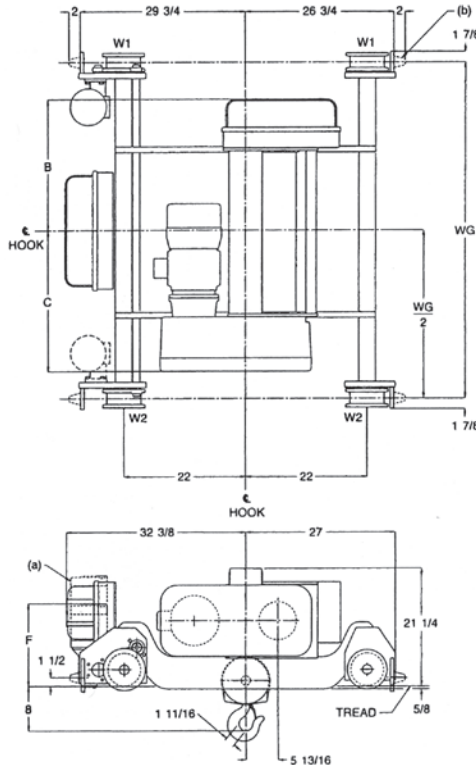
Rail gage (beam spacing of the crane) must match wheel gage of the top running trolley hoist based on lift and drum length.

All two speed motors are 1800/600 RPM.

TROLLEY DATA:	Speed	32 FPM	65 FPM	125 FPM	
	HP	1/2	1/2	1/2	(2 OF EACH REQUIRED FOR 78 & 108 WHEEL GAGES)

WHEEL LOADING			
Lift (Ft)	Weight	Pounds Per Wheel (Max)	
		W1	W2
20	1308	1288	1366
36	1399	1290	1410
60	1591	1328	1468
85	1790	1760	1515

Wheel Dia. 6
Max. Rail Size - 30 #/Yd.



Acco Material Handling Solutions 800-967-7333 www.accomhs.com



Equipment described herein is not designed for, and should not be used for, lifting, supporting, or transporting humans. Modifications to upgrade, rerate, or otherwise alter the hoist or crane equipment shall be authorized only by the original manufacturer or qualified professional engineer. Failure to comply with any one of the limitations noted herein may result in serious bodily injury.
© 2012 ACCO Material Handling Solutions



Top Running Trolley Hoist Series 33

2 TON

THE NEW CENTURY SERIES®

2 Part Double Reeved
3/8 Diameter Rope

Electric Wire Rope Hoists

Issued 06-01-12

For Pricing See Page 10t

MODEL NUMBER	Lift (Ft)	Lift Speed (FPM)	HP	B	C	Trolley Drive		Wheel Gage (WG)	Drum
						Single Speed	Two Speed		
						F (a)	F (a)		
C3W02D020-44T2D0	20	44	7-1/2	21-1/8	23-5/8	16-5/8	17-5/8	60	2
C3W02D036-44T2D0	36	44	7-1/2	26-5/8	29-1/8	16-5/8	17-5/8	60	3
C3W02D054-44T2D0	54	44	7-11/2	33-1/8	35-5/8	16-5/8	17-5/8	60	4
C3W02D082-44T2D0	82	44	7-1/2	43-1/8	45-5/8	16-5/8	17-5/8	78	5
C3W02D118-44T2D0	118	44	7-1/2	55-5/8	58-1/8	16-5/8	17-5/8	108	6

All dimensions shown in inches unless otherwise specified.

(a) Trolley brake is available as optional equipment. Add 5-1/8" to dimension F.

(b) Four rubber bumpers are available as optional equipment.

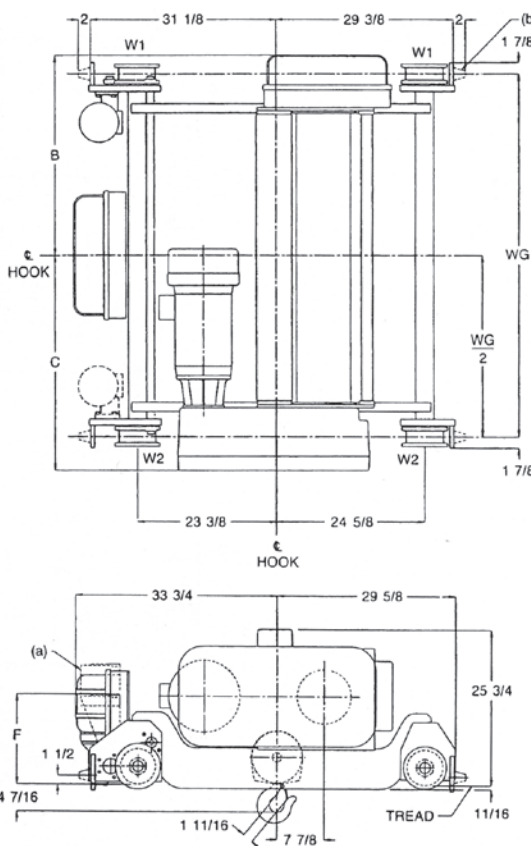
Rail gage (beam spacing of the crane) must match wheel gage of the top running trolley hoist based on lift and drum length.

All two speed motors are 1800/600 RPM.

TROLLEY DATA:	Speed	32 FPM	65 FPM	125 FPM	
	HP	1/2	1/2	1/2	(2 OF EACH REQUIRED FOR 78 & 108 WHEEL GAGES)

WHEEL LOADING			
Lift (Ft)	Weight	Pounds Per Wheel (Max)	
		W1	W2
20	1709	1381	1475
36	1803	1382	1520
54	1912	1383	1573
82	2120	1425	1635
118	2426	1639	1900

Wheel Dia. 6
Max. Rail Size - 30 #/Yd.



ACCO Acco Material Handling Solutions 800-967-7333 www.accomhs.com



Equipment described herein is not designed for, and should not be used for, lifting, supporting, or transporting humans. Modifications to upgrade, rerate, or otherwise alter the hoist or crane equipment shall be authorized only by the original manufacturer or qualified professional engineer. Failure to comply with any one of the limitations noted herein may result in serious bodily injury.
© 2012 ACCO Material Handling Solutions

WRIGHT®
Work-Rated®

THE NEW CENTURY SERIES®

Electric Wire Rope Hoists

Issued 06-01-12

Top Running Trolley Hoist
Series 32

2 Part Double Reeved
3/8 Diameter Rope

3 TON

For Pricing See Page 11t

MODEL NUMBER	Lift (Ft)	Lift Speed (FPM)	HP	B	C	Trolley Drive		Wheel Gage (WG)	Drum
						Single Speed	Two Speed		
						F (a)	F (a)		
C2W03D020-15T2D0	20	15	3	23-3/8	25-7/8	15-5/8	16-5/8	60	4
C2W03D036-15T2D0	36	15	3	30-7/8	33-3/8	15-5/8	17-5/8	60	6
C2W03D060-15T2D0	60	15	3	42-1/2	44-1/2	15-5/8	17-5/8	78	7
C2W03D085-15T2D0	85	15	3	53-3/4	56-1/4	15-5/8	17-5/8	108	8
C2W03D020-22T2D0	20	22	5	23-3/8	25-7/8	15-5/8	17-5/8	60	4
C2W03D036-22T2D0	36	22	5	30-7/8	33-3/8	15-5/8	17-5/8	60	6
C2W03D060-22T2D0	60	22	5	42-1/2	44-1/2	15-5/8	17-5/8	78	7
C2W03D085-22T2D0	85	22	5	53-3/4	56-1/4	15-5/8	17-5/8	108	8

All dimensions shown in inches unless otherwise specified.

(a) Trolley brake is available as optional equipment. Add 5-1/8" to dimension F.

(b) Four rubber bumpers are available as optional equipment.

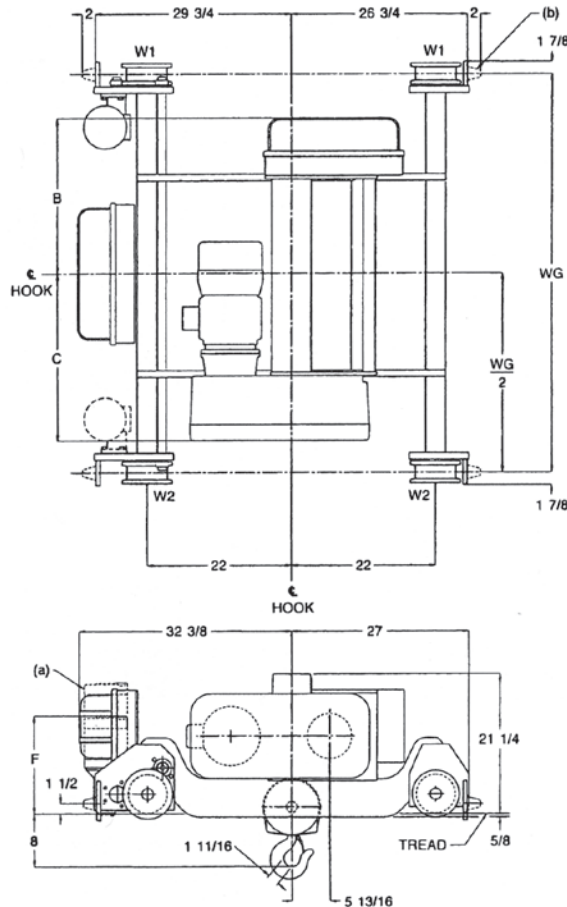
Rail gage (beam spacing of the crane) must match wheel gage of the top running trolley hoist based on lift and drum length.

All two speed motors are 1800/600 RPM.

TROLLEY DATA:	Speed	32 FPM	65 FPM	125 FPM	
	HP	1/2	1/2	1/2	(2 OF EACH REQUIRED FOR 78 & 108 WHEEL GAGES)

WHEEL LOADING			
Lift (Ft)	Weight	Pounds Per Wheel (Max)	
		W1	W2
20	1308	1788	1866
36	1399	1790	1910
60	1591	1828	1968
85	1790	1881	2015

Wheel Dia. 6
Max. Rail Size - 30 #/Yd.



Acco Material Handling Solutions 800-967-7333 www.accomhs.com

WARNING

Equipment described herein is not designed for, and should not be used for, lifting, supporting, or transporting humans. Modifications to upgrade, rerate, or otherwise alter the hoist or crane equipment shall be authorized only by the original manufacturer or qualified professional engineer. Failure to comply with any one of the limitations noted herein may result in serious bodily injury.

© 2012 ACCO Material Handling Solutions

WRIGHT®

Work-Rated®

THE NEW CENTURY SERIES®

Top Running Trolley Hoist

Series 33

2 Part Double Reeved
3/8 Diameter Rope

3 TON

Electric Wire Rope Hoists

Issued 06-01-12

For Pricing See Page 11t

MODEL NUMBER	Lift (Ft)	Lift Speed (FPM)	HP	B	C	Trolley Drive		Wheel Gage (WG)	Drum
						Single Speed	Two Speed		
						F (a)	F (a)		
C3W03D020-30T2D0	20	30	7-1/2	21-1/8	23-5/8	16-5/8	17-5/8	60	2
C3W03D036-30T2D0	36	30	7-1/2	26-5/8	29-1/8	16-5/8	17-5/8	60	3
C3W03D054-30T2D0	54	30	7-1/2	33-1/8	35-5/8	16-5/8	17-5/8	60	4
C3W03D082-30T2D0	82	30	7-1/2	43-1/8	45-5/8	16-5/8	17-5/8	78	5
C3W03D118-30T2D0	118	30	7-1/2	55-5/8	58-1/8	16-5/8	17-5/8	108	6
C3W03D020-44T2D0	20	44	10	21-1/8	23-5/8	16-5/8	17-5/8	60	2
C3W03D036-44T2D0	36	44	10	26-5/8	29-1/8	16-5/8	17-5/8	60	3
C3W03D054-44T2D0	54	44	10	33-1/8	35-5/8	16-5/8	17-5/8	60	4
C3W03D082-44T2D0	82	44	10	43-1/8	45-5/8	16-5/8	17-5/8	78	5
C3W03D118-44T2D0	118	44	10	55-5/8	58-1/8	16-5/8	17-5/8	108	6

All dimensions shown in inches unless otherwise specified.

(a) Trolley brake is available as optional equipment. Add 5-1/8" to dimension F.

(b) Four rubber bumpers are available as optional equipment.

Rail gage (beam spacing of the crane) must match wheel gage of the top running trolley hoist based on lift and drum length.

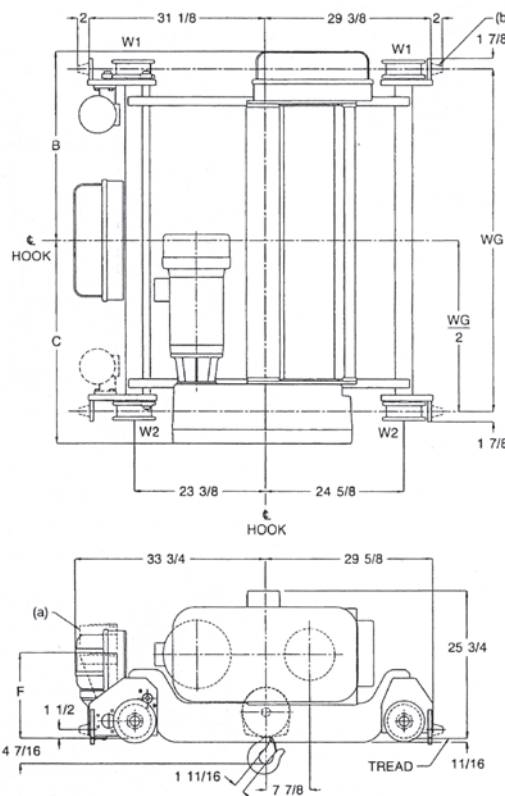
All two speed motors are 1800/600 RPM.

TROLLEY DATA:	Speed	32 FPM	65 FPM	125 FPM	
	HP	1/2	1/2	1/2	(2 OF EACH REQUIRED FOR 78 & 108 WHEEL GAGES)

WHEEL LOADING			
Lift (Ft)	Weight	Pounds Per Wheel (Max)	
		W1	W2
20	1709	1881	1975
36	1803	1882	2020
54	1912	1883	2073
82	2120	1925	2135
118	2426	2139	2400

Wheel Dia. 6

Max. Rail Size - 30 #/Yd.



ACCO Acco Material Handling Solutions 800-967-7333 www.accomhs.com

WARNING

Equipment described herein is not designed for, and should not be used for, lifting, supporting, or transporting humans. Modifications to upgrade, rerate, or otherwise alter the hoist or crane equipment shall be authorized only by the original manufacturer or qualified professional engineer. Failure to comply with any one of the limitations noted herein may result in serious bodily injury.

© 2012 ACCO Material Handling Solutions

WRIGHT®

Work-Rated®

THE NEW CENTURY SERIES®

Electric Wire Rope Hoists

Issued 06-01-12

Top Running Trolley Hoist
Series 32

2 Part Double Reeved
3/8 Diameter Rope

5 TON

For Pricing See Page 12t

MODEL NUMBER	Lift (Ft)	Lift Speed (FPM)	HP	B	C	Trolley Drive		Wheel Gage (WG)	Drum
						Single Speed	Two Speed		
						F (a)	F(a)		
C2W05D020-15T2D0	20	15	5	23-3/8	25-7/8	16-5/8	17-5/8	60	4
C2W05D036-15T2D0	36	15	5	30-7/8	33-3/8	16-5/8	17-5/8	60	6
C2W05D060-15T2D0	60	15	5	42-1/2	44-1/2	16-5/8	17-5/8	78	7
C2W05D085-15T2D0	85	15	5	53-3/4	56-1/4	16-5/8	17-5/8	108	8

All dimensions shown in inches unless otherwise specified.

(a) Trolley brake is available as optional equipment. Add 5-1/8" to dimension F.

(b) Four rubber bumpers are available as optional equipment.

Rail gage (beam spacing of the crane) must match wheel gage of the top running trolley hoist based on lift and drum length.

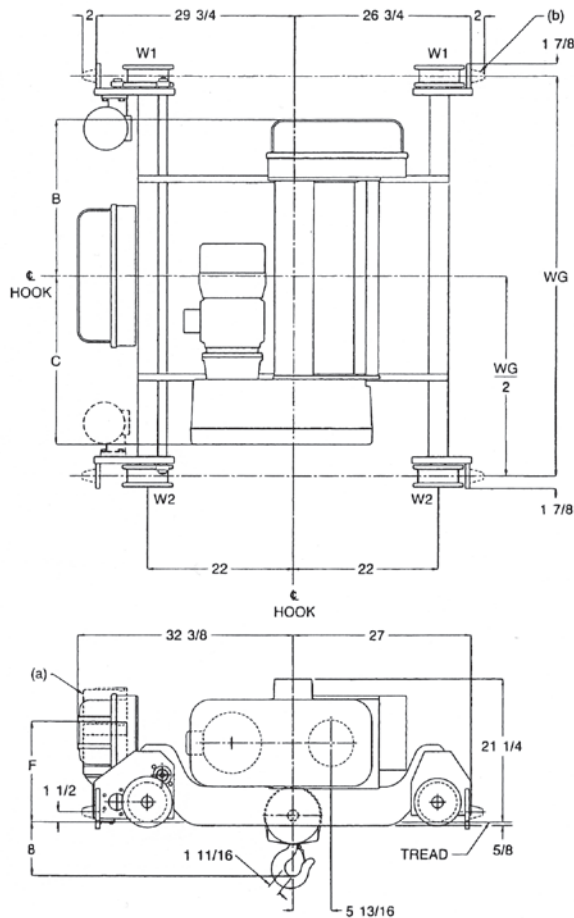
All two speed motors are 1800/600 RPM.

TROLLEY DATA:	Speed	32 FPM	65 FPM	125 FPM	
	HP	1/2	1/2	1	(2 OF EACH REQUIRED FOR 78 & 108 WHEEL GAGES)

WHEEL LOADING			
Lift (Ft)	Weight	Pounds Per Wheel (Max)	
		W1	W2
20	1308	2788	2866
36	1399	2790	2910
60	1591	2828	2968
85	1790	2880	3015

Wheel Dia. 6

Max. Rail Size - 30 #/Yd.



Acco Material Handling Solutions 800-967-7333 www.accomhs.com

WARNING

Equipment described herein is not designed for, and should not be used for, lifting, supporting, or transporting humans. Modifications to upgrade, rerate, or otherwise alter the hoist or crane equipment shall be authorized only by the original manufacturer or qualified professional engineer. Failure to comply with any one of the limitations noted herein may result in serious bodily injury.

© 2012 ACCO Material Handling Solutions

WRIGHT®
 Work-Rated®
 THE NEW CENTURY SERIES®

Top Running Trolley Hoist
Series 33

5 TON

2 Part Double Reeved
 3/8 Diameter Rope

Electric Wire Rope Hoists

Issued 06-01-12

For Pricing See Page 12t

MODEL NUMBER	Lift (Ft)	Lift Speed (FPM)	HP	B	C	Trolley Drive		Wheel Gage (WG)	Drum
						Single Speed	Two Speed		
						F (a)	F (a)		
C3W05D020-22T2D0	20	22	7-1/2	21-1/8	23-5/8	16-5/8	17-5/8	60	2
C3W05D036-22T2D0	36	22	7-1/2	26-5/8	29-1/8	16-5/8	17-5/8	60	3
C3W05D054-22T2D0	54	22	7-11/2	33-1/8	35-5/8	16-5/8	17-5/8	60	4
C3W05D082-22T2D0	82	22	7-1/2	43-1/8	45-5/8	16-5/8	17-5/8	78	5
C3W03D118-22T2D0	118	22	7-1/2	55-5/8	58-1/8	16-5/8	17-5/8	108	6
C3W05D020-30T2D0	20	30	10	21-1/8	23-5/8	16-5/8	17-5/8	60	2
C3W05D036-30T2D0	36	30	10	26-5/8	29-1/8	16-5/8	17-5/8	60	3
C3W05D054-30T2D0	54	30	10	33-1/8	35-5/8	16-5/8	17-5/8	60	4
C3W05D082-30T2D0	82	30	10	43-1/8	45-5/8	16-5/8	17-5/8	78	5
C3W05D118-30T2D0	118	30	10	55-5/8	58-1/8	16-5/8	17-5/8	108	6

All dimensions shown in inches unless otherwise specified.

(a) Trolley brake is available as optional equipment. Add 5-1/8" to dimension F.

(b) Four rubber bumpers are available as optional equipment.

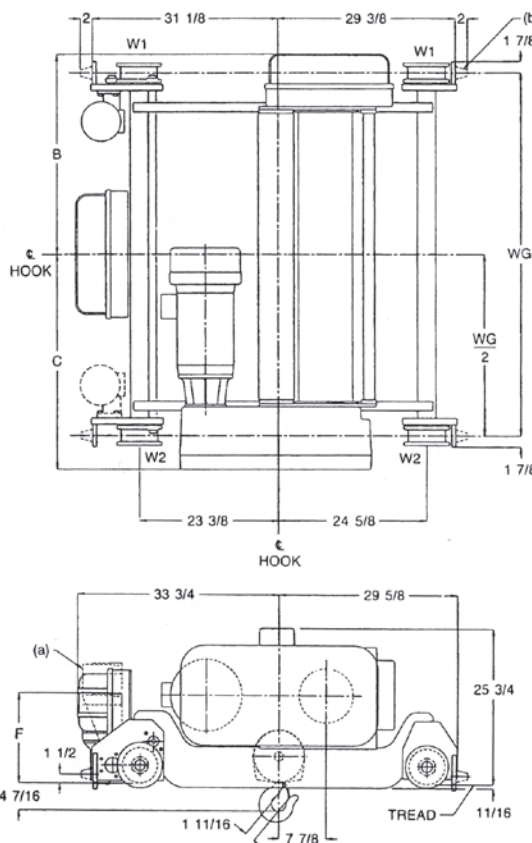
Rail gage (beam spacing of the crane) must match wheel gage of the top running trolley hoist based on lift and drum length.

All two speed motors are 1800/600 RPM.

TROLLEY DATA:	Speed	32 FPM	65 FPM	125 FPM	
	HP	1/2	1/2	1	(2 OF EACH REQUIRED FOR 78 & 108 WHEEL GAGES)

WHEEL LOADING			
Lift (Ft)	Weight	Pounds Per Wheel (Max)	
		W1	W2
20	1709	2904	2951
36	1803	2880	3022
54	1912	2881	3075
82	2120	2924	3136
118	2426	3001	3212

Wheel Dia. 6
 Max. Rail Size - 30 #/Yd.



800-967-7333 www.accomhs.com



Equipment described herein is not designed for, and should not be used for, lifting, supporting, or transporting humans. Modifications to upgrade, rerate, or otherwise alter the hoist or crane equipment shall be authorized only by the original manufacturer or qualified professional engineer. Failure to comply with any one of the limitations noted herein may result in serious bodily injury.

© 2012 ACCO Material Handling Solutions

WRIGHT®
Work-Rated®

Top Running Trolley Hoist
Series 34

5 TON

2 Part Double Reeved
1/2 Diameter Rope

THE NEW CENTURY SERIES®

Electric Wire Rope Hoists

Issued 06-01-12

For Pricing See Page 12t

MODEL NUMBER	Lift (Ft)	Lift Speed (FPM)	HP	B	C	J	K	Trolley Drive		Wheel Gage (WG)	Drum
								Single Speed	Two Speed		
								F (a)	F (a)		
C4W05D020-44T2D0	20	44	15	24-1/8	30-3/4	13-1/2	13-1/2	17-5/8	18-5/8	60	2
C4W05D031-44T2D0	31	44	15	28-5/8	35-1/4	9	9	17-5/8	18-5/8	60	3
C4W05D047-44T2D0	47	44	15	34-5/8	41-1/4	12	12	17-5/8	18-5/8	78	4
C4W05D076-44T2D0	76	44	15	45-5/8	52-1/4	10	10	17-5/8	18-5/8	96	5
C4W05D115-44T2D0	115	44	15	60-5/8	67-1/4	7	7	17-5/8	18-5/8	120	6

All dimensions shown in inches unless otherwise specified.

(a) Trolley brake is available as optional equipment. Add 5-1/8" to dimension F.

(b) Four rubber bumpers are available as optional equipment.

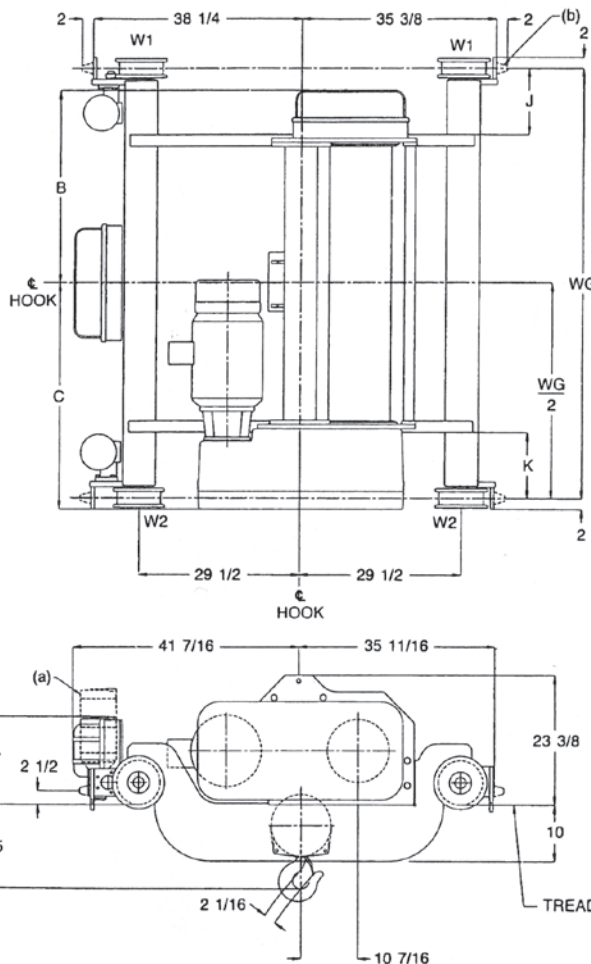
Rail gage (beam spacing of the crane) must match wheel gage of the top running trolley hoist based on lift and drum length.

All two speed motors are 1800/600 RPM.

TROLLEY DATA:	Speed	32 FPM	65 FPM	125 FPM	
	HP	1/2	1/2	1/2	(2 OF EACH REQUIRED FOR 78, 96 & 120 WHEEL GAGES)

WHEEL LOADING			
Lift (Ft)	Weight	Pounds Per Wheel (Max)	
		W1	W2
20	3330	3196	3469
31	3450	3189	3536
47	3744	3265	3607
76	4154	3342	3737
115	4712	3454	3902

Wheel Dia. 8
Max. Rail Size - 30 #/Yd.



ACCO Acco Material Handling Solutions 800-967-7333 www.accomhs.com

WARNING

Equipment described herein is not designed for, and should not be used for, lifting, supporting, or transporting humans. Modifications to upgrade, rerate, or otherwise alter the hoist or crane equipment shall be authorized only by the original manufacturer or qualified professional engineer. Failure to comply with any one of the limitations noted herein may result in serious bodily injury.
© 2012 ACCO Material Handling Solutions

WRIGHT®
 Work-Rated®
 THE NEW CENTURY SERIES®

Top Running Trolley Hoist

Series 33

4 Part Double Reeved
 3/8 Diameter Rope

7 1/2 TON

Electric Wire Rope Hoists

Issued 06-01-12

For Pricing See Page 13t

MODEL NUMBER	Lift (Ft)	Lift Speed (FPM)	HP	B	C	D	Trolley Drive		Wheel Gage (WG)	Drum
							Single Speed	Two Speed		
							F (a)	F (a)		
C3W07D022-15T4D0	22	15	7-1/2	33-1/8	35-5/8	27-3/4	16-5/8	17-5/8	60	4
C3W07D036-15T4D0	36	15	7-1/2	43-1/8	45-5/8	30	16-5/8	17-5/8	78	5
C3W07D054-15T4D0	54	15	7-1/2	55-5/8	58-1/8	30	16-5/8	17-5/8	108	6
C3W07D022-22T4D0	22	22	10	33-1/8	35-5/8	27-3/4	16-5/8	17-5/8	60	4
C3W07D036-22T4D0	36	22	10	43-1/8	45-5/8	30	16-5/8	17-5/8	78	5
C3W07D054-22T4D0	54	22	10	55-5/8	58-1/8	30	16-5/8	17-5/8	108	6

All dimensions shown in inches unless otherwise specified.

(a) Trolley brake is available as optional equipment. Add 5-1/8" to dimension F.

(b) Four rubber bumpers are available as optional equipment.

Rail gage (beam spacing of the crane) must match wheel gage of the top running trolley hoist based on lift and drum length.

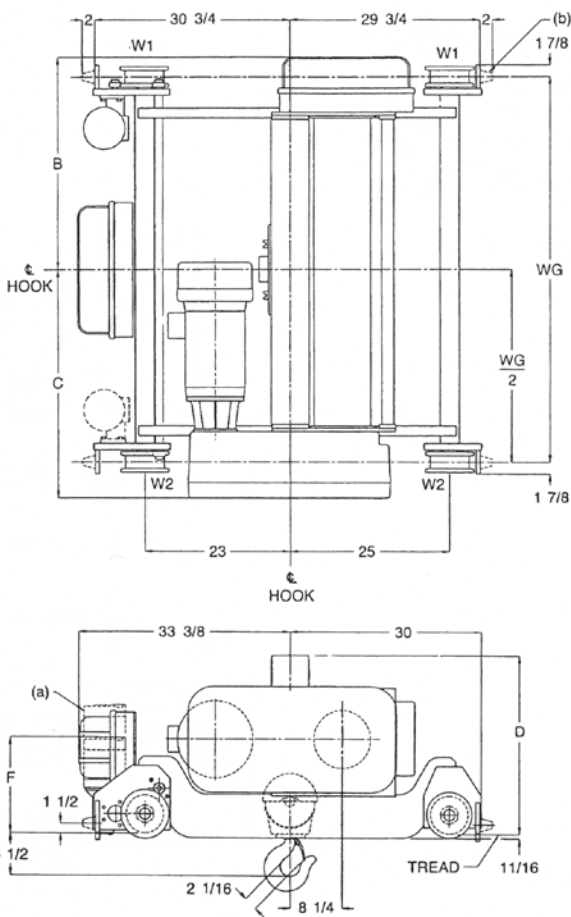
All two speed motors are 1800/600 RPM.

TROLLEY DATA:	Speed	32 FPM	65 FPM	125 FPM	
	HP	1/2	1/2	1	(2 OF EACH REQUIRED FOR 78 & 108 WHEEL GAGES)

WHEEL LOADING			
Lift (Ft)	Weight	Pounds Per Wheel (Max)	
		W1	W2
22	2008	4155	4349
36	2225	4199	4414
54	2529	4275	4496

Wheel Dia. 6

Max. Rail Size - 30 #/Yd.



ACCO Acco Material Handling Solutions 800-967-7333 www.accomhs.com

WARNING

Equipment described herein is not designed for, and should not be used for, lifting, supporting, or transporting humans. Modifications to upgrade, rerate, or otherwise alter the hoist or crane equipment shall be authorized only by the original manufacturer or qualified professional engineer. Failure to comply with any one of the limitations noted herein may result in serious bodily injury.

© 2012 ACCO Material Handling Solutions

WRIGHT®
Work-Rated®

Top Running Trolley Hoist
Series 34

7 1/2 TON

2 Part Double Reeved
1/2 Diameter Rope

THE NEW CENTURY SERIES®

Electric Wire Rope Hoists

Issued 06-01-12

For Pricing See Page 13t

MODEL NUMBER	Lift (Ft)	Lift Speed (FPM)	HP	B	C	J	K	Trolley Drive		Wheel Gage (WG)	Drum
								Single Speed	Two Speed		
								F (a)	F (a)		
C4W07D020-30T2D0	20	30	15	24-1/8	30-3/4	13-1/2	13-1/2	17-5/8	18-5/8	60	2
C4W07D031-30T2D0	31	30	15	28-5/8	35-1/4	9	9	17-5/8	18-5/8	60	3
C4W07D047-30T2D0	47	30	15	34-5/8	41-1/4	12	12	17-5/8	18-5/8	78	4
C4W07D076-30T2D0	76	30	15	45-5/8	52-1/4	10	10	17-5/8	18-5/8	96	5
C4W07D115-30T2D0	115	30	15	60-5/8	67-1/4	7	7	17-5/8	18-5/8	120	6

All dimensions shown in inches unless otherwise specified.

(a) Trolley brake is available as optional equipment. Add 5-1/8" to dimension F.

(b) Four rubber bumpers are available as optional equipment.

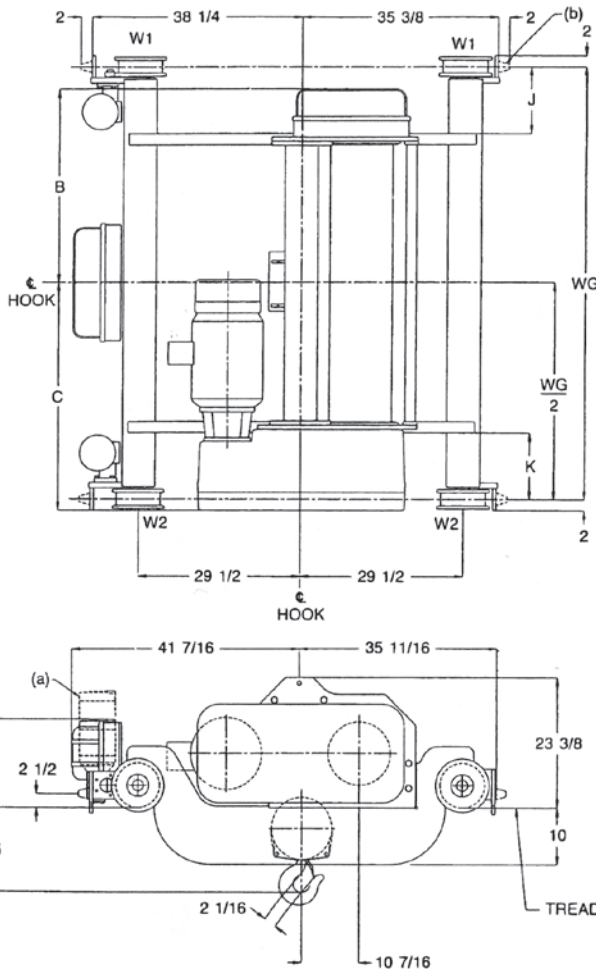
Rail gage (beam spacing of the crane) must match wheel gage of the top running trolley hoist based on lift and drum length.

All two speed motors are 1800/600 RPM.

TROLLEY DATA:	Speed	32 FPM	65 FPM	125 FPM	
	HP	1/2	1/2	1/2	(2 OF EACH REQUIRED FOR 78, 96 & 120 WHEEL GAGES)

WHEEL LOADING			
Lift (Ft)	Weight	Pounds Per Wheel (Max)	
		W1	W2
20	3330	4446	4719
31	3450	4439	4786
47	3744	4515	4857
76	4154	4592	4987
115	4712	4704	5152

Wheel Dia. 8
Max. Rail Size - 30 #/Yd.



ACCO Acco Material Handling Solutions 800-967-7333 www.accomhs.com

WARNING

Equipment described herein is not designed for, and should not be used for, lifting, supporting, or transporting humans. Modifications to upgrade, rerate, or otherwise alter the hoist or crane equipment shall be authorized only by the original manufacturer or qualified professional engineer. Failure to comply with any one of the limitations noted herein may result in serious bodily injury.
© 2012 ACCO Material Handling Solutions

WRIGHT®
 Work-Rated®
 THE NEW CENTURY SERIES®

Top Running Trolley Hoist

Series 35

2 Part Double Reeved
 1/2 Diameter Rope

7 1/2 TON

Electric Wire Rope Hoists
 Issued 06-01-12

For Pricing See Page 13t

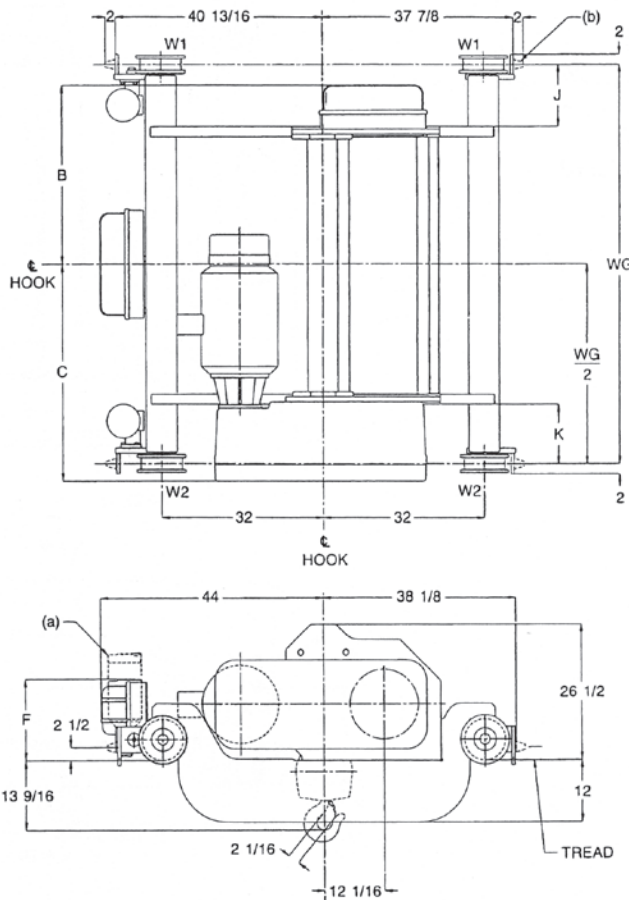
MODEL NUMBER	Lift (Ft)	Lift Speed (FPM)	HP	B	C	J	K	Trolley Drive		Wheel Gage (WG)	Drum
								Single Speed	Two Speed		
								F (a)	F (a)		
C5W07D024-44T2D0	24	44	20	24-1/2	32	13-3/4	13	17-5/8	18-5/8	60	2
C5W07D038-44T2D0	38	44	20	29	36-7/16	9-1/4	8-1/2	17-5/8	18-5/8	60	3
C5W07D057-44T2D0	57	44	20	35	42-7/14	12-1/4	11-1/2	17-5/8	18-5/8	78	4
C5W07D085-44T2D0	85	44	20	44	51-7/16	12-1/4	11-1/2	17-5/8	18-5/8	96	5
C5W07D124-44T2D0	124	44	20	56-1/2	64	11-3/4	11	17-5/8	18-5/8	120	6

All dimensions shown in inches unless otherwise specified.
 (a) Trolley brake is available as optional equipment. Add 5-1/8" to dimension F.
 (b) Four rubber bumpers are available as optional equipment.
 Rail gage (beam spacing of the crane) must match wheel gage of the top running trolley hoist based on lift and drum length.
 All two speed motors are 1800/600 RPM.

TROLLEY DATA: Speed 32 FPM 65 FPM 125 FPM
 HP 1/2 1/2 1/2
(2 OF EACH REQUIRED FOR 78, 96 & 120 WHEEL GAGES)

WHEEL LOADING			
Lift (Ft)	Weight	Pounds Per Wheel (Max)	
		W1	W2
24	4080	4325	4915
38	4384	4667	5025
57	4792	4797	5099
85	5351	4947	5229
124	6172	5179	5407

Wheel Dia. 8
 Max. Rail Size - 30 #/Yd.



ACCO Acco Material Handling Solutions 800-967-7333 www.accomhs.com

WARNING

Equipment described herein is not designed for, and should not be used for, lifting, supporting, or transporting humans. Modifications to upgrade, rerate, or otherwise alter the hoist or crane equipment shall be authorized only by the original manufacturer or qualified professional engineer. Failure to comply with any one of the limitations noted herein may result in serious bodily injury.
 © 2012 ACCO Material Handling Solutions

WRIGHT® Work-Rated®

THE NEW CENTURY SERIES®

Electric Wire Rope Hoists

Issued 06-01-12

Top Running Trolley Hoist Series 33

4 Part Double Reeved
3/8 Diameter Rope

10 TON

For Pricing See Page 14t

MODEL NUMBER	Lift (Ft)	Lift Speed (FPM)	HP	B	C	D	Trolley Drive		Wheel Gage (WG)	Drum
							Single Speed	Two Speed		
							F (a)	F (a)		
C3W10D022-15T4D0	22	15	10	33-1/8	35-5/8	27-3/4	16-5/8	17-5/8	60	4
C3W10D036-15T4D0	36	15	10	43-1/8	45-5/8	30	16-5/8	17-5/8	78	5
C3W10D054-15T4D0	54	15	10	55-5/8	58-1/8	30	16-5/8	17-5/8	108	6

All dimensions shown in inches unless otherwise specified.

(a) Trolley brake is available as optional equipment. Add 5-1/8" to dimension F.

(b) Four rubber bumpers are available as optional equipment.

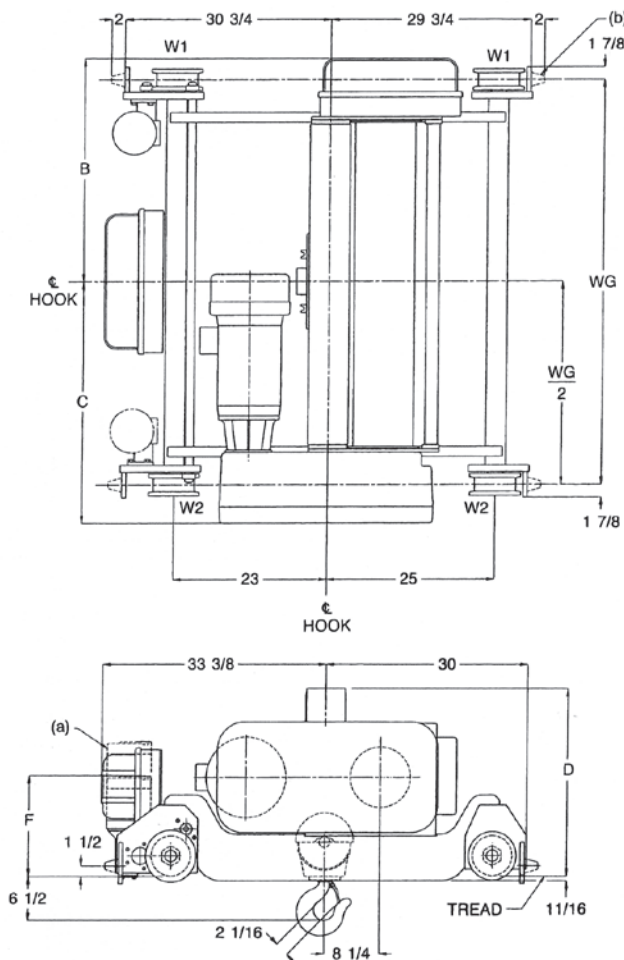
Rail gage (beam spacing of the crane) must match wheel gage of the top running trolley hoist based on lift and drum length.

All two speed motors are 1800/600 RPM.

TROLLEY DATA:	Speed	32 FPM	65 FPM	125 FPM	
	HP	1/2	1	1	(2 OF EACH REQUIRED FOR 78 & 108 WHEEL GAGES)

WHEEL LOADING			
Lift (Ft)	Weight	Pounds Per Wheel (Max)	
		W1	W2
22	2008	5405	5599
36	2225	5449	5664
54	2529	5525	5746

Wheel Dia. 6
Max. Rail Size - 30 #/Yd.



Acco Material Handling Solutions 800-967-7333 www.accomhs.com

WARNING

Equipment described herein is not designed for, and should not be used for, lifting, supporting, or transporting humans. Modifications to upgrade, rerate, or otherwise alter the hoist or crane equipment shall be authorized only by the original manufacturer or qualified professional engineer. Failure to comply with any one of the limitations noted herein may result in serious bodily injury.

© 2012 ACCO Material Handling Solutions

WRIGHT®
 Work-Rated®
 THE NEW CENTURY SERIES®

Top Running Trolley Hoist

Series 34

4 Part Double Reeved
 1/2 Diameter Rope

10 TON

Electric Wire Rope Hoists

Issued 06-01-12

For Pricing See Page 14t

MODEL NUMBER	Lift (Ft)	Lift Speed (FPM)	HP	B	C	J	K	Trolley Drive		Wheel Gage (WG)	Drum
								Single Speed	Two Speed		
								F (a)	F (a)		
C4W10D020-22T4D0	20	22	15	34-5/8	41-1/4	12	12	17-5/8	18-5/8	78	4
C4W10D035-22T4D0	35	22	15	45-5/8	52-1/4	10	10	17-5/8	18-5/8	96	5
C4W10D054-22T4D0	54	22	15	60-5/8	67-1/4	7	7	17-5/8	18-5/8	120	6

All dimensions shown in inches unless otherwise specified.

(a) Trolley brake is available as optional equipment. Add 5-1/8" to dimension F.

(b) Four rubber bumpers are available as optional equipment.

Rail gage (beam spacing of the crane) must match wheel gage of the top running trolley hoist based on lift and drum length.

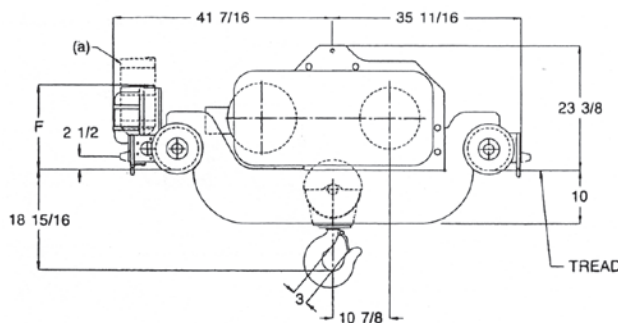
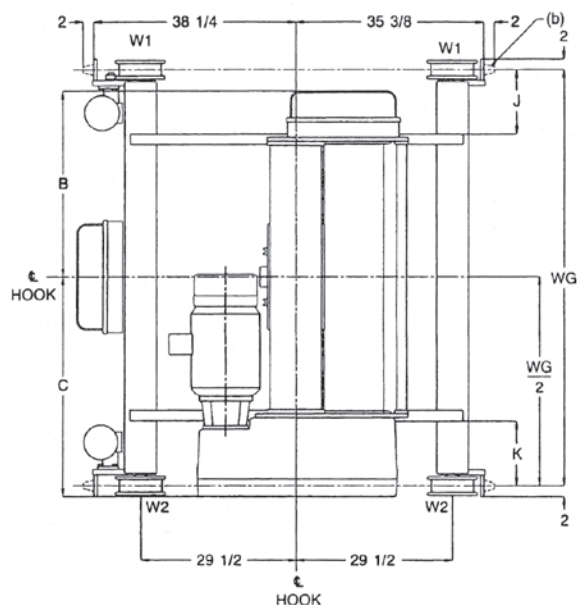
All two speed motors are 1800/600 RPM.

TROLLEY DATA:	Speed	32 FPM	65 FPM	125 FPM	
	HP	1/2	1/2	1	(2 OF EACH REQUIRED FOR ALL WHEEL GAGES)

WHEEL LOADING			
Lift (Ft)	Weight	Pounds Per Wheel (Max)	
		W1	W2
20	4002	5831	6170
35	4454	5919	6308
54	5167	6076	6512

Wheel Dia. 8

Max. Rail Size - 30 #/Yd.



ACCO Acco Material Handling Solutions 800-967-7333 www.accomhs.com

WARNING

Equipment described herein is not designed for, and should not be used for, lifting, supporting, or transporting humans. Modifications to upgrade, rerate, or otherwise alter the hoist or crane equipment shall be authorized only by the original manufacturer or qualified professional engineer. Failure to comply with any one of the limitations noted herein may result in serious bodily injury.

© 2012 ACCO Material Handling Solutions

WRIGHT®
Work-Rated®

THE NEW CENTURY SERIES®

Electric Wire Rope Hoists

Issued 06-01-12

Top Running Trolley Hoist
Series 35

2 Part Double Reeved
1/2 Diameter Rope

10 TON

For Pricing See Page 14t

MODEL NUMBER	Lift (Ft)	Lift Speed (FPM)	HP	B	C	J	K	Trolley Drive		Wheel Gage (WG)	Drum
								Single Speed	Two Speed		
								F (a)	F (a)		
C5W10D024-30T2D0	24	30	20	24-1/2	32	13-3/4	13	15-7/8	18-3/8	60	2
C5W10D038-30T2D0	38	30	20	29	36-7/16	9-1/4	8-1/2	15-7/8	18-3/8	60	3
C5W10D057-30T2D0	57	30	20	35	42-7/16	12-1/4	11-1/2	15-7/8	18-3/8	78	4
C5W10D085-30T2D0	85	30	20	44	51-7/16	12-1/4	11-1/2	15-7/8	18-3/8	96	5
C5W10D124-30T2D0	124	30	20	56-1/2	64	11-3/4	11	17-5/8	18-5/8	120	6

All dimensions shown in inches unless otherwise specified.

(a) Trolley brake is available as optional equipment. Add 5-1/8" to dimension F.

(b) Four rubber bumpers are available as optional equipment.

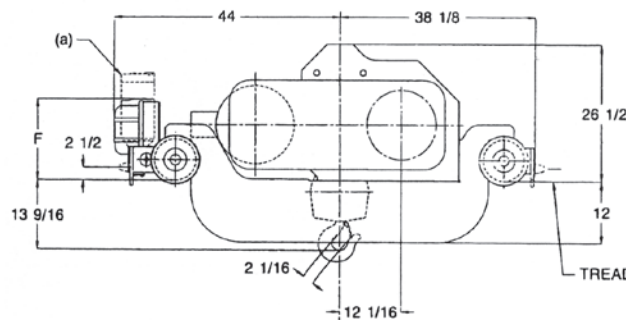
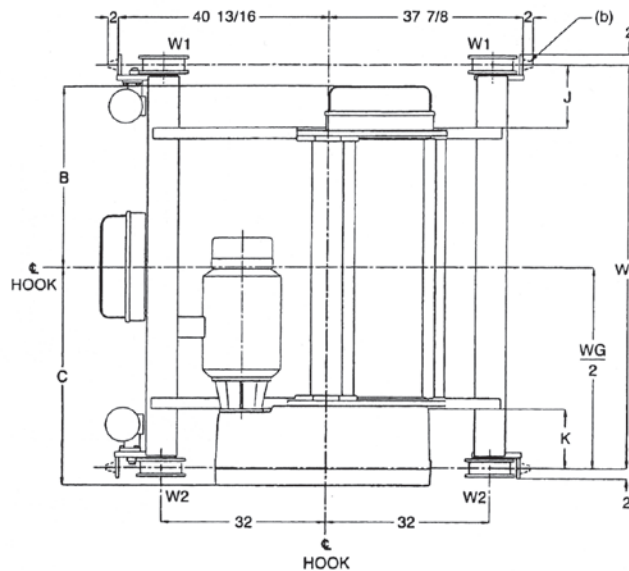
Rail gage (beam spacing of the crane) must match wheel gage of the top running trolley hoist based on lift and drum length.

All two speed motors are 1800/600 RPM.

TROLLEY DATA:	Speed	32 FPM	65 FPM	125 FPM	
	HP	1/2	1/2	1	(2 OF EACH REQUIRED FOR 78, 96 & 120 WHEEL GAGES)

WHEEL LOADING			
Lift (Ft)	Weight	Pounds Per Wheel (Max)	
		W1	W2
24	4080	5875	6165
38	4384	5917	6275
57	4792	6047	6349
85	5351	6198	6478
124	6172	6429	6657

Wheel Dia. 8
Max. Rail Size - 30 #/Yd.



AGCO Acco Material Handling Solutions 800-967-7333 www.accomhs.com

WARNING

Equipment described herein is not designed for, and should not be used for, lifting, supporting, or transporting humans. Modifications to upgrade, rerate, or otherwise alter the hoist or crane equipment shall be authorized only by the original manufacturer or qualified professional engineer. Failure to comply with any one of the limitations noted herein may result in serious bodily injury.
© 2012 ACCO Material Handling Solutions

WRIGHT®

Work-Rated®

THE NEW CENTURY SERIES®

Electric Wire Rope Hoists

Issued 06-01-12

Top Running Trolley Hoist
Series 34

4 Part Double Reeved
1/2 Diameter Rope

15 TON

For Pricing See Page 15t

MODEL NUMBER	Lift (Ft)	Lift Speed (FPM)	HP	B	C	J	K	Trolley Drive		Wheel Gage (WG)	Drum
								Single Speed	Two Speed		
								F (a)	F (a)		
C4W15D020-15T4D0	20	15	15	34-5/8	41-1/4	12	12	17-5/8	18-5/8	78	4
C4W15D035-15T4D0	35	15	15	45-5/8	52-1/4	10	10	17-5/8	18-5/8	96	5
C4W15D054-15T4D0	54	15	15	60-5/8	67-1/4	7	7	17-5/8	18-5/8	120	6

All dimensions shown in inches unless otherwise specified.

(a) Trolley brake is available as optional equipment. Add 5-1/8" to dimension F.

(b) Four rubber bumpers are available as optional equipment.

Rail gage (beam spacing of the crane) must match wheel gage of the top running trolley hoist based on lift and drum length.

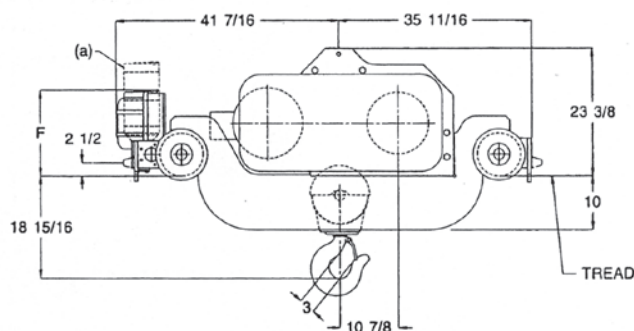
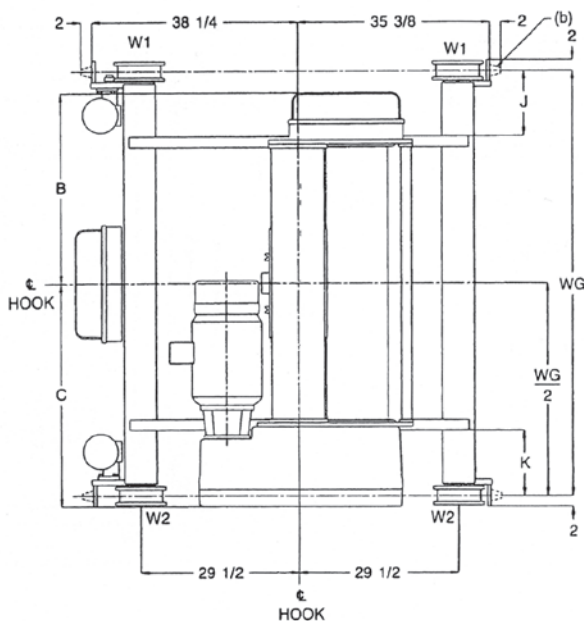
All two speed motors are 1800/600 RPM.

TROLLEY DATA:	Speed	32 FPM	65 FPM	125 FPM	
	HP	1/2	1/2	1	(2 OF EACH REQUIRED FOR ALL WHEEL GAGES)

WHEEL LOADING			
Lift (Ft)	Weight	Pounds Per Wheel (Max)	
		W1	W2
20	4002	8331	8670
35	4454	8419	8808
54	5167	8576	9012

Wheel Dia. 8

Max. Rail Size - 30 #/Yd.



800-967-7333 www.accomhs.com



Equipment described herein is not designed for, and should not be used for, lifting, supporting, or transporting humans. Modifications to upgrade, rerate, or otherwise alter the hoist or crane equipment shall be authorized only by the original manufacturer or qualified professional engineer. Failure to comply with any one of the limitations noted herein may result in serious bodily injury.

© 2012 ACCO Material Handling Solutions

WRIGHT®

Work-Rated®

THE NEW CENTURY SERIES®

Electric Wire Rope Hoists

Issued 06-01-12

Top Running Trolley Hoist
Series 35

4 Part Double Reeved
1/2 Diameter Rope

15 TON

For Pricing See Page 15t

MODEL NUMBER	Lift (Ft)	Lift Speed (FPM)	HP	B	C	D	J	K	Trolley Drive		Wheel Gage (WG)	Drum
									Single Speed	Two Speed		
									F (a)	F (a)		
C5W15D024-22T4D0	24	22	20	35	42-7/16	26-1/2	12-1/4	11-1/2	17-5/8	18-5/8	78	4
C5W15D039-22T4D0	39	22	20	44	51-7/16	26-3/4	12-1/4	11-1/2	17-5/8	18-5/8	96	5
C5W15D058-22T4D0	58	22	20	56-3/8	64	26-3/4	11-3/4	10-15/16	17-5/8	18-5/8	120	6

All dimensions shown in inches unless otherwise specified.

(a) Trolley brake is available as optional equipment. Add 5-1/8" to dimension F.

(b) Four rubber bumpers are available as optional equipment.

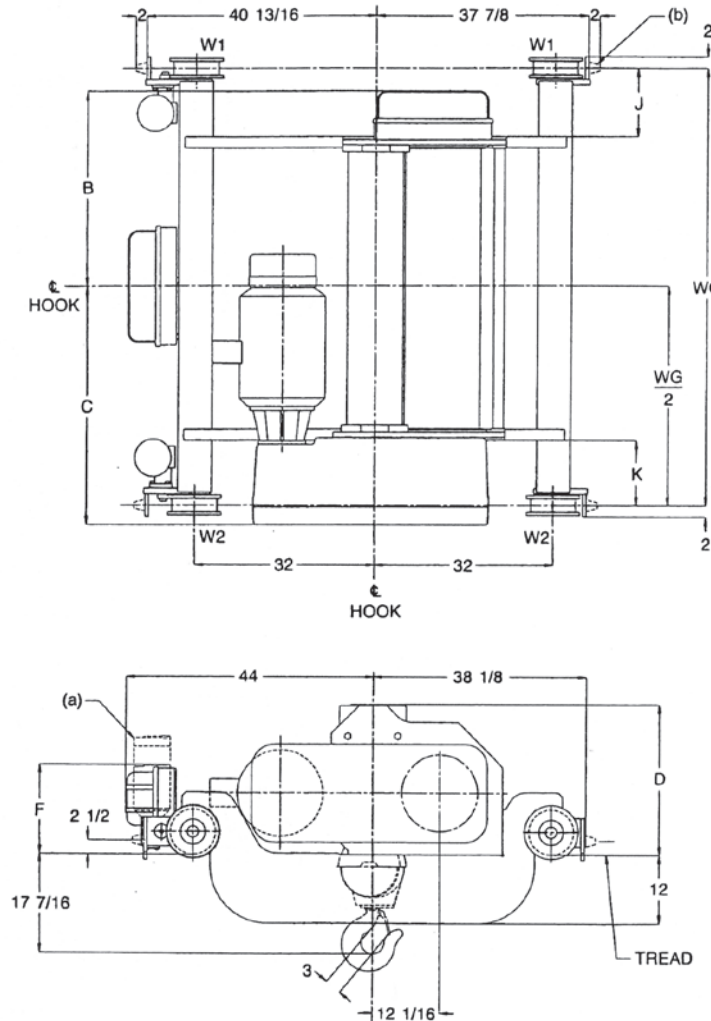
Rail gage (beam spacing of the crane) must match wheel gage of the top running trolley hoist based on lift and drum length.

All two speed motors are 1800/600 RPM.

TROLLEY DATA:	Speed	32 FPM	65 FPM	125 FPM	
	HP	1/2	1/2	1	(2 OF EACH REQUIRED FOR ALL WHEEL GAGES)

WHEEL LOADING			
Lift (Ft)	Weight	Pounds Per Wheel (Max)	
		W1	W2
24	5062	8614	8917
39	5693	8791	9056
58	6532	8751	9515

Wheel Dia. 8
Max. Rail Size - 30 #/Yd.



ACCO Acco Material Handling Solutions 800-967-7333 www.accomhs.com

WARNING

Equipment described herein is not designed for, and should not be used for, lifting, supporting, or transporting humans. Modifications to upgrade, rerate, or otherwise alter the hoist or crane equipment shall be authorized only by the original manufacturer or qualified professional engineer. Failure to comply with any one of the limitations noted herein may result in serious bodily injury.

© 2012 ACCO Material Handling Solutions

WRIGHT®

Work-Rated®

THE NEW CENTURY SERIES®

Electric Wire Rope Hoists

Issued 06-01-12

Top Running Trolley Hoist

Series 35

4 Part Double Reeved
1/2 Diameter Rope

20 TON

For Pricing See Page 16t

MODEL NUMBER	Lift (Ft)	Lift Speed (FPM)	HP	B	C	D	J	K	Trolley Drive		Wheel Gage (WG)	Drum
									Single Speed	Two Speed		
									F (a)	F (a)		
C5W20D024-15T4D0	24	15	20	35	42-7/16	26-1/2	12-1/4	11-1/2	17-5/8	18-5/8	78	4
C5W20D039-15T4D0	39	15	20	44	51-7/16	26-3/4	12-1/4	11-1/2	17-5/8	18-5/8	96	5
C5W20D058-15T4D0	58	15	20	56-3/8	64	26-3/4	11-3/4	10-15/16	17-5/8	18-5/8	120	6

All dimensions shown in inches unless otherwise specified.

(a) Trolley brake is available as optional equipment. Add 5-1/8" to dimension F.

(b) Four rubber bumpers are available as optional equipment.

Rail gage (beam spacing of the crane) must match wheel gage of the top running trolley hoist based on lift and drum length.

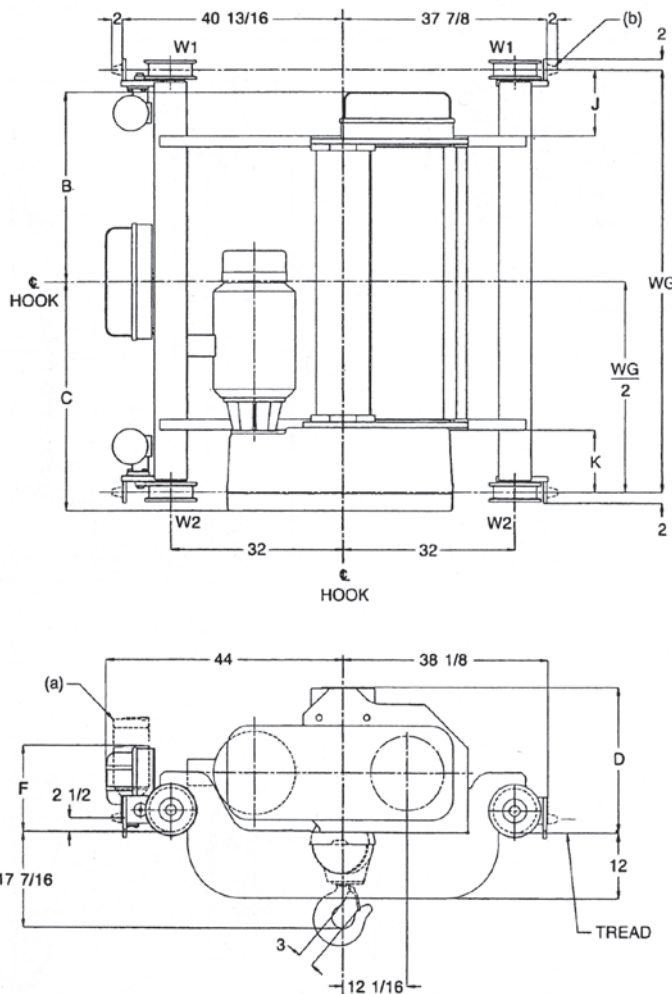
All two speed motors are 1800/600 RPM.

TROLLEY DATA:	Speed	32 FPM	65 FPM	125 FPM	
	HP	1/2	1	N.A.	(2 OF EACH REQUIRED FOR ALL WHEEL GAGES)

WHEEL LOADING			
Lift (Ft)	Weight	Pounds Per Wheel (Max)	
		W1	W2
24	5062	11114	11417
39	5693	11295	11556
58	6532	11251	12015

Wheel Dia. 8

Max. Rail Size - 30 #/Yd.



ACCO Acco Material Handling Solutions 800-967-7333 www.accomhs.com

WARNING

Equipment described herein is not designed for, and should not be used for, lifting, supporting, or transporting humans. Modifications to upgrade, rerate, or otherwise alter the hoist or crane equipment shall be authorized only by the original manufacturer or qualified professional engineer. Failure to comply with any one of the limitations noted herein may result in serious bodily injury.
© 2012 ACCO Material Handling Solutions

WRIGHT®

Work-Rated®

THE NEW CENTURY SERIES®

Top Running Trolley Hoist
Series 35

4 Part Double Reeved
9/16 Diameter Rope

25 TON

Electric Wire Rope Hoists

Issued 06-01-12

For Pricing See Page 17t

MODEL NUMBER	Lift (Ft)	Lift Speed (FPM)	HP	B	C	D	J	K	Trolley Drive		Wheel Gage (WG)	Drum
									Single Speed	Two Speed		
									F (a)	F (a)		
C5W25D020-12T4D0	20	12	20	34-1/8	43-9/16	26-1/2	13-3/16	10-9/16	15-7/8	18-3/8	78	4
C5W25D032-12T4D0	32	12	20	43-1/8	52-1/4	26-1/2	13-3/16	10-9/16	15-7/8	18-3/8	96	5
C5W25D048-12T4D0	48	12	20	55-11/16	65-1/16	26-7/8	12-11/16	10-1/16	15-7/8	18-3/8	120	6

All dimensions shown in inches unless otherwise specified.

(a) Trolley brake is available as optional equipment. Add 5-1/8" to dimension F.

(b) Four rubber bumpers are available as optional equipment.

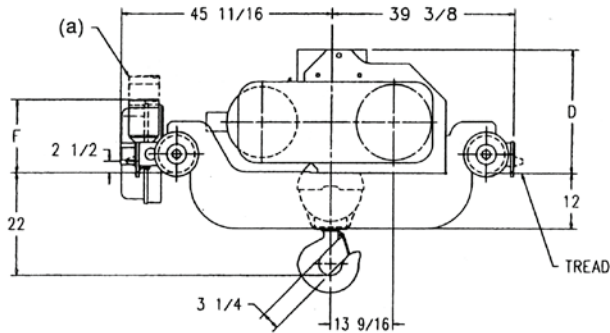
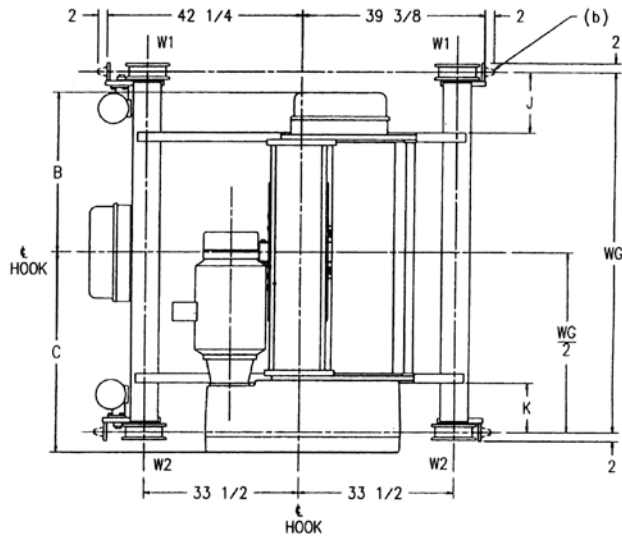
Rail gage (beam spacing of the crane) must match wheel gage of the top running trolley hoist based on lift and drum length.

All two speed motors are 1800/600 RPM.

TROLLEY DATA:	Speed	32 FPM	65 FPM	125 FPM	
	HP	1/2	1	N.A.	(2 OF EACH REQUIRED FOR ALL WHEEL GAGES)

WHEEL LOADING			
Lift (Ft)	Weight	Pounds Per Wheel (Max)	
		W1	W2
20	5768	13746	14164
32	6250	13849	14301
48	6913	13990	14491

Wheel Dia. 8
Max. Rail Size - 30 #/Yd.



ACCO Acco Material Handling Solutions 800-967-7333 www.accomhs.com

WARNING

Equipment described herein is not designed for, and should not be used for, lifting, supporting, or transporting humans. Modifications to upgrade, rerate, or otherwise alter the hoist or crane equipment shall be authorized only by the original manufacturer or qualified professional engineer. Failure to comply with any one of the limitations noted herein may result in serious bodily injury.
© 2012 ACCO Material Handling Solutions

WRIGHT®
Work-Rated®

THE NEW CENTURY SERIES®

Electric Wire Rope Hoists

Issued 06-01-12

Deck Mounted
Features & Benefits

1 TO 25 TON

Wright family of *Work-Rated* hoists is a complete line of electric wire rope hoists. It is an advanced design incorporating the most recent materials and concept. The most current duty cycle and safety requirements of users are built into this line, not added on.

CONSTRUCTION FEATURES:

The new style of deck mounted *Work-rated* hoist has been designed to allow for easy mounting of the hoist to a double beam trolley frame.

CONTROLS: Choose from single, 2-speed, or inverter. Controls are magnetic reversing type, mechanically and electrically interlocked with 115 volt control circuit. All wiring conforms to applicable NEC requirements. Motor thermostats are standard providing motor running overcurrent protection. NEMA Type 3R enclosures are standard. Cover is lightweight, tough ABS material, deep-drawn for maximum control accessibility. Controls are shipped loose for customer mounting.

PUSH BUTTON STATION: Push button stations are not furnished as standard equipment with these hoists. Push button station drop of cord & strain chain are available as optional equipment. See Accessories Section. Specify required drop.

MOTOR: Standard NEMA C face mounting, TENV, Class F insulation, 30-minute duty motor is provided for standard commercial power supplies. The motor has a standard NEMA shall extension.

GEAR TRAIN: Quiet, helical and spur gearing. All gears are machine cut, case-hardened alloy steel with shock-resistant ductile cores. Gearing is designed to AGMA standards for maximum life, and operates in an oil bath. Rugged aluminum alloy housing provides rapid heat dissipation.

BEARINGS - SPIDER RETAINERS: Precision heavy-duty ball bearings support all shafts. All bearings are either splash lubricated, or lifetime pre-lubricated and sealed. Bearings at outboard end of shafts are held in place by heavy-duty Spider Retainers. This allows removal of Gear Housing Cover for inspection (after draining oil). All internal parts remain in place and can be operated for inspection.

DRUM: The large diameter steel drum has machined grooves and large flanges. At least two full turns of rope remain on the drum at the lowest hook position of rated lift.

LOAD BLOCK - HOOK: Drop forged heat-treated steel hook swivels 360° on a shielded roller thrust bearing and comes equipped with a spring latch. Work can be performed on the load block without removing wire rope from drum. Sheaves are machined steel.

WIRE ROPE: Pre-formed wire rope, of hoisting service construction, made of extra improved plow steel (XIP) with an independent wire rope center. Has swaged fittings on both ends for ease of replacement if necessary.

MECHANICAL LOAD BRAKE: Automatic Weston-type multiple disc brake can hold a full capacity load independent of motor brake. This brake assures that load does not accelerate while being lowered. No wear compensation adjustment is required.

MOTOR BRAKE: Proven in millions of hours of in-service operation, the original *Wright* rectified D-C magnet-actuated disc brake delivers rapid stops with virtually no hook drift. Rated a minimum of 150% of full load motor torque. Exclusive brake-sensing microswitch prevents motor from operating against engaged brake and when brake requires adjustment.

LIMIT SWITCH: A gravity-type upper hook travel limit switch is provided. The unit is equipped with an automatic momentary lowering circuit. An optional geared limit switch is also available.

OVERLOAD CUTOFF: Exclusive patented ACCO unit is standard on all *Work-rated* hoists except single-line models. The overload limiting device shall be designed to permit operation of the hoist within its rated load and to limit the amount of overload that can be lifted by a properly maintained hoist, under normal operating conditions.

The overload limiting device may allow the lifting of an overload, but shall be designed to prevent the lifting of an overload of such magnitude that could cause damage to a hoist, trolley, or supports. This does not imply that any overload is to be intentionally applied to the hoist.

The overload limiting device is an emergency device and shall not be used to measure the maximum load to be lifted and shall not be used to sense the overload imposed by the constrained load.

HOW TO SPECIFY *Work-Rated* DECK MOUNTED HOISTS

- 1. DETERMINE PROPER MODEL NUMBER** in regard to hoist capacity, lift, lifting speed, and hoist control found in the following pages. Deck mounted hoists are grouped by load capacity and shown in top corner of each page.
- 2. SPECIFY MOTOR VOLTAGE:** *Wright* standard motors are available in 200/230/460/575-3-60 power with Class F insulation, and are totally enclosed non-ventilated. Control is furnished as standard equipment. Additional motor and control accessories are found in the Accessories Section.
- 3. DETERMINE ADDITIONAL MODIFICATIONS AND ACCESSORIES.** The check list and descriptive data for these items are found in the Accessories Section.
- 4. ACCO RESERVES THE RIGHT TO MAKE CHANGES TO THIS CATALOG AS MAYBE DEEMED NECESSARY.**

ACCO Acco Material
Handling Solutions 800-967-7333 www.accomhs.com



Equipment described herein is not designed for, and should not be used for, lifting, supporting, or transporting humans. Modifications to upgrade, rerate, or otherwise alter the hoist or crane equipment shall be authorized only by the original manufacturer or qualified professional engineer. Failure to comply with any one of the limitations noted herein may result in serious bodily injury.
© 2012 ACCO Material Handling Solutions

WRIGHT®
Work-Rated®

Deck Mounted
Features & Benefits

1 TO 25 TON

THE NEW CENTURY SERIES®

Electric Wire Rope Hoists

Issued 06-01-12

Another word is "part" which refers to the mechanical advantage gained by multiple reeving. For example, with 2 part single reeving (2 PS) the load is distributed over the two parts and the mechanical advantage doubles the capacity of one part reeving and reduces by one half the lifting or lowering speed of the hook.

Reeving changes hoist arrangement to the beam or track, minimum headroom distance, and lateral hook travel.

	Single Reeved	Double Reeved
Reeving:	2 PS or 4 PS	2 PD or 4 PD
Minimum Headroom:	Fair	Good
Lateral Hook Travel:	Hook travels	None
Cost:	Lower	Higher

HEADROOM: Some applications require that the distance from the bottom of beam to saddle of the hook be held to a minimum. This dimension will determine whether single reeved or double reeved model is required.

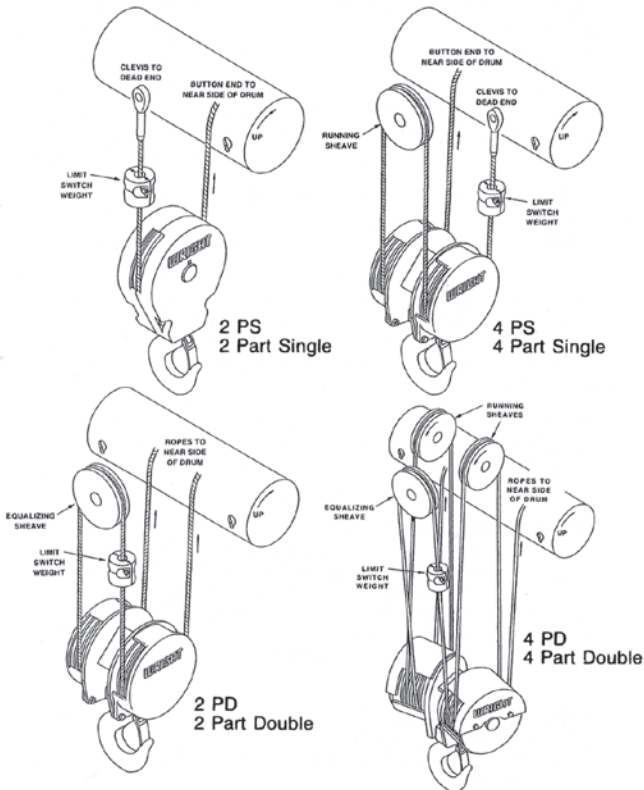
3. SPECIFY PROPER MODEL NUMBER in regard to hoist. Capacity, lifting speed, mounting and hoist control found in the following pages.

4. SPECIFY MOTOR VOLTAGE: *Wright* standard motors are available in 200/230/460/575-3-60 power with Class F insulation, and are totally enclosed non-ventilated. Control is furnished as standard equipment. Additional motor and control accessories are found in the Accessories Section.

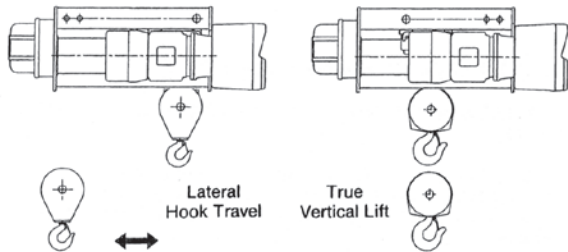
5. SPECIFY OTHER MODIFICATIONS AND ACCESSORIES.

6. SPECIAL APPLICATION HOISTS: Contact your nearest *Wright* representative.

7. ACCO RESERVES THE RIGHT TO MAKE CHANGES TO THIS CATALOG AS MAY BE DEEMED NECESSARY.



HOOK TRAVEL:



Some applications require that the load, when being lifted, not move right or left from hoist centerline. If this requirement is known, a true vertical lift hoist must be used. These are described as two part double (2 PD) or four part double (4 PD).

WRIGHT®**Work-Rated®****THE NEW CENTURY SERIES®**

Electric Wire Rope Hoists

Issued 06-01-12

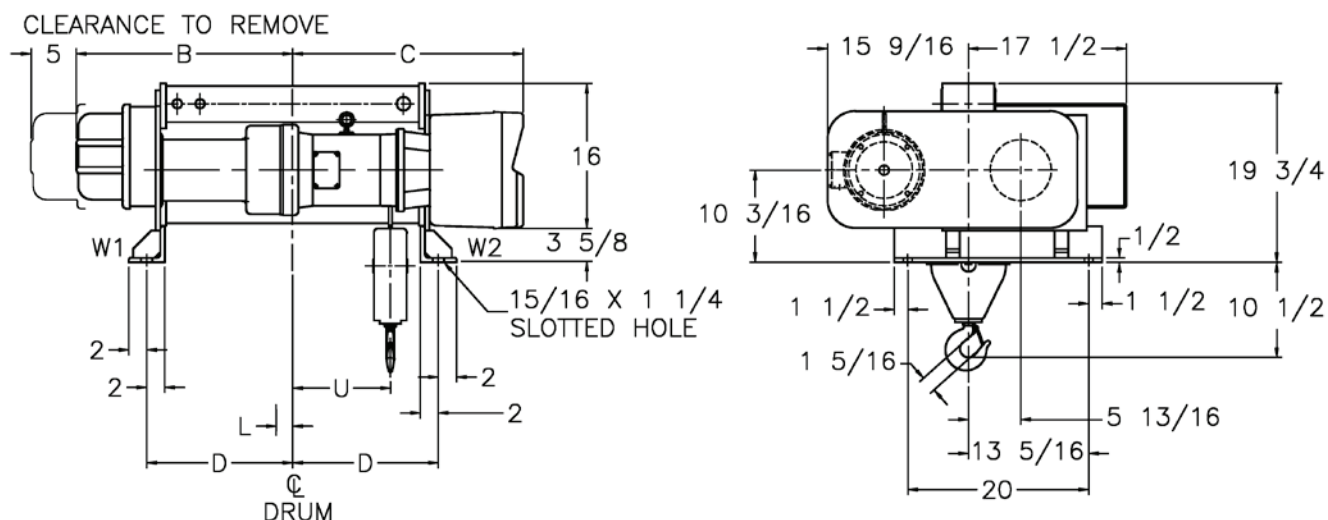
**Deck Mounted
Series 32**2 Part Single Reeved
3/8 Diameter Rope**1 TON**

For Pricing See Page 1d

MODEL NUMBER	Lift (Ft)	Lift Speed (FPM)	HP	B	C	D	Hook Travel		Weight	Drum
							L	U		
C2W01S017-15D2S0	17	15	3	15-5/8	17-3/8	8	1-13/16	2-11/16	638	1
C2W01S033-15D2S0	33	15	3	19-3/8	21-1/8	11-3/4	1-13/16	6-7/16	684	3
C2W01S051-15D2S0	51	15	3	23-3/4	25-1/2	16-1/8	1-13/16	10-13/16	737	4
C2W01S083-15D2S0	83	15	3	31-1/4	33	23-5/8	1-13/16	18-5/16	829	6
C2W01S017-22D2S0	17	22	3	15-5/8	17-3/8	8	1-13/16	2-11/16	638	1
C2W01S033-22D2S0	33	22	3	19-3/8	21-1/8	11-3/4	1-13/16	6-7/16	684	3
C2W01S051-22D2S0	51	22	3	23-3/4	25-1/2	16-1/8	1-13/16	10-13/16	737	4
C2W01S083-22D2S0	83	22	3	31-1/4	33	23-5/8	1-13/16	18-5/16	829	6
C2W01S017-30D2S0	17	30	3	15-5/8	17-3/8	8	1-13/16	2-11/16	638	1
C2W01S033-30D2S0	33	30	3	19-3/8	21-1/8	11-3/4	1-13/16	6-7/16	684	3
C2W01S051-30D2S0	51	30	3	23-3/4	25-1/2	16-1/8	1-13/16	10-13/16	737	4
C2W01S083-30D2S0	83	30	3	31-1/4	33	23-5/8	1-13/16	18-5/16	829	6

All dimensions shown in inches unless otherwise specified.
Controls are factory mounted and wired.

MOUNTING DATA				
Load In Pounds Per Side				
Lift (Ft)	W1		W2	
	Lower	Upper	Lower	Upper
17	1433	870	1205	1768
33	1373	671	1311	2013
51	1350	567	1387	2170
83	1310	440	1519	2389



ACCO Acco Material
Handling Solutions

800-967-7333 www.accomhs.com

WARNING

Equipment described herein is not designed for, and should not be used for, lifting, supporting, or transporting humans. Modifications to upgrade, rerate, or otherwise alter the hoist or crane equipment shall be authorized only by the original manufacturer or qualified professional engineer. Failure to comply with any one of the limitations noted herein may result in serious bodily injury.

© 2012 ACCO Material Handling Solutions

d1

WRIGHT®

Work-Rated®

THE NEW CENTURY SERIES®

Deck Mounted
Series 33

2 Part Single Reeved
1/2 Diameter Rope

1 TON

Electric Wire Rope Hoists

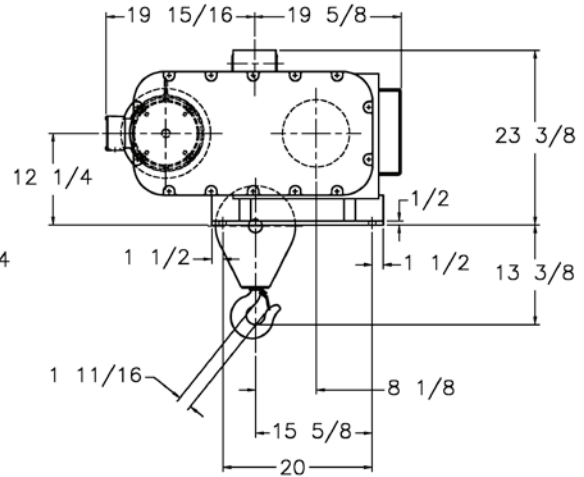
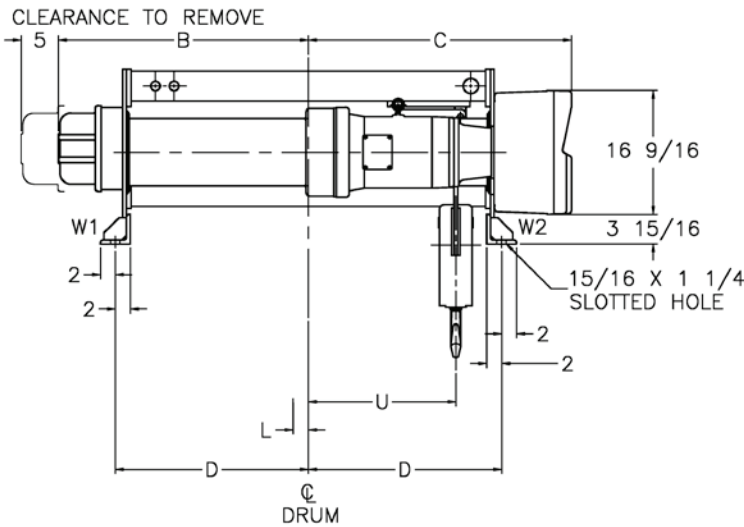
Issued 06-01-12

For Pricing See Page 1d

MODEL NUMBER	Lift (Ft)	Lift Speed (FPM)	HP	B	C	D	Hook Travel		Weight	Drum
							L	U		
C3W01S017-44D2S0	17	44	7-1/2	18-7/16	18-1/4	8-7/8	1-11/16	3	965	1
C3W01S041-44D2S0	41	44	7-1/2	21-1/2	23-1/4	13-7/8	2-1/16	7-3/4	1056	2
C3W01S064-44D2S0	64	44	7-1/2	27	28-3/4	19-3/8	2-1/16	13-1/4	1157	3
C3W01S091-44D2S0	91	44	7-1/2	33-1/2	35-1/4	25-7/8	2-1/16	19-3/4	1274	4
C3W01S133-44D2S0	133	44	7-1/2	43-1/2	45-1/4	35-7/8	2-1/16	29-3/4	1456	5
C3W01S185-44D2S0	185	44	7-1/2	56	57-3/4	48-3/8	2-1/16	42-1/4	1685	6

All dimensions shown in inches unless otherwise specified.
Controls are shipped loose, mounting and final wiring by others.

MOUNTING DATA				
Lift (Ft)	Load In Pounds Per Side			
	W1		W2	
	Lower	Upper	Lower	Upper
17	1502	974	1463	1991
41	1473	765	1583	2291
64	1480	689	1677	2468
91	1513	670	1761	2604
133	1562	675	1867	2781
185	1656	740	2029	2945



Acco Acco Material Handling Solutions 800-967-7333 www.accomhs.com

WARNING

Equipment described herein is not designed for, and should not be used for, lifting, supporting, or transporting humans. Modifications to upgrade, rerate, or otherwise alter the hoist or crane equipment shall be authorized only by the original manufacturer or qualified professional engineer. Failure to comply with any one of the limitations noted herein may result in serious bodily injury.
© 2012 ACCO Material Handling Solutions

WRIGHT®

Work-Rated®

THE NEW CENTURY SERIES®

Electric Wire Rope Hoists

Issued 06-01-12

Deck Mounted
Series 32

2 Part Single Reeved
3/8 Diameter Rope

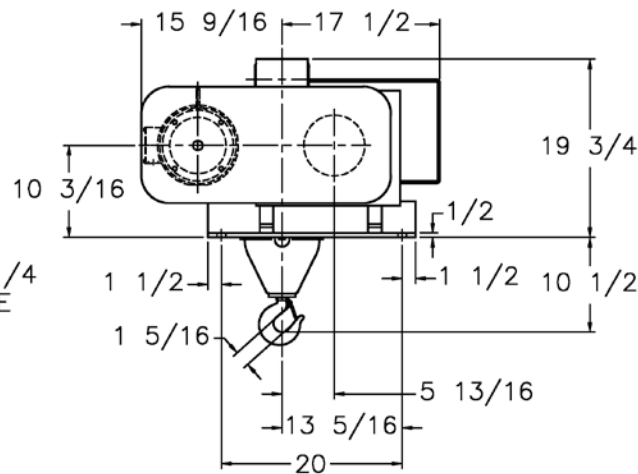
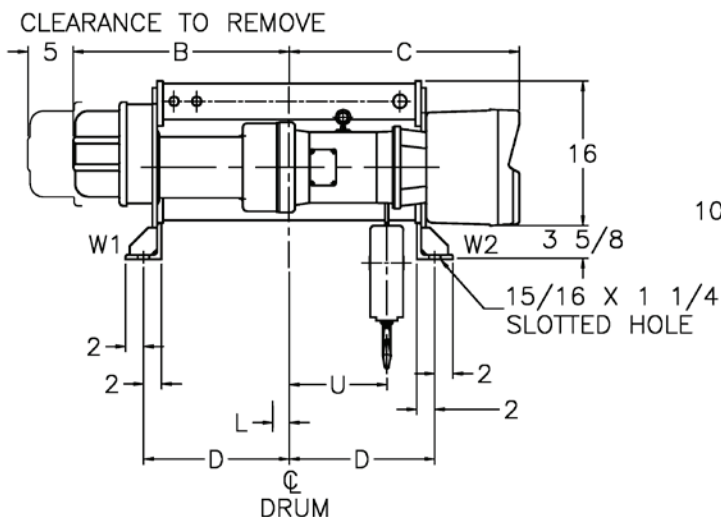
2 TON

For Pricing See Page 2d

MODEL NUMBER	Lift (Ft)	Lift Speed (FPM)	HP	B	C	D	Hook Travel		Weight	Drum
							L	U		
C2W02S017-15D2S0	17	15	3	15-5/8	17-3/8	8	1-13/16	2-11/16	638	1
C2W02S033-15D2S0	33	15	3	19-3/8	21-1/8	11-3/4	1-13/16	6-7/16	684	3
C2W02S051-15D2S0	51	15	3	23-3/4	25-1/2	16-1/8	1-13/16	10-13/16	737	4
C2W02S083-15D2S0	83	15	3	31-1/4	33	23-5/8	1-13/16	18-5/16	829	6
C2W02S017-22D2S0	17	22	3	15-5/8	17-3/8	8	1-13/16	2-11/16	638	1
C2W02S033-22D2S0	33	22	3	19-3/8	21-1/8	11-3/4	1-13/16	6-7/16	684	3
C2W02S051-22D2S0	51	22	3	23-3/4	25-1/2	16-1/8	1-13/16	10-13/16	737	4
C2W02S083-22D2S0	83	22	3	31-1/4	33	23-5/8	1-13/16	18-5/16	829	6
C2W02S017-30D2S0	17	30	5	15-5/8	17-3/8	8	1-13/16	2-11/16	638	1
C2W02S033-30D2S0	33	30	5	19-3/8	21-1/8	11-3/4	1-13/16	6-7/16	684	3
C2W02S051-30D2S0	51	30	5	23-3/4	25-1/2	16-1/8	1-13/16	10-13/16	737	4
C2W02S083-30D2S0	83	30	5	31-1/4	33	23-5/8	1-13/16	18-5/16	829	6

All dimensions shown in inches unless otherwise specified.
Controls are shipped loose, mounting and final wiring by others.

MOUNTING DATA				
Lift (Ft)	Load In Pounds Per Side			
	W1		W2	
	Lower	Upper	Lower	Upper
17	2659	1534	1979	3104
33	2528	1123	2156	3561
51	2462	896	2275	3841
83	2410	669	2419	4160



800-967-7333 www.accomhs.com



Equipment described herein is not designed for, and should not be used for, lifting, supporting, or transporting humans. Modifications to upgrade, rerate, or otherwise alter the hoist or crane equipment shall be authorized only by the original manufacturer or qualified professional engineer. Failure to comply with any one of the limitations noted herein may result in serious bodily injury.

© 2012 ACCO Material Handling Solutions

WRIGHT®

Work-Rated®

THE NEW CENTURY SERIES®

Deck Mounted
Series 33

2 Part Single Reeved
1/2 Diameter Rope

2 TON

Electric Wire Rope Hoists

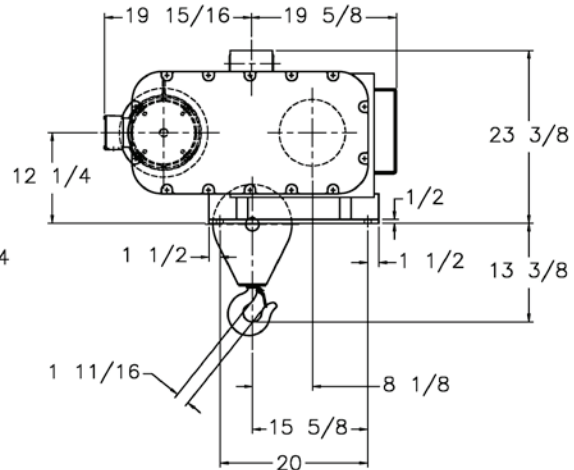
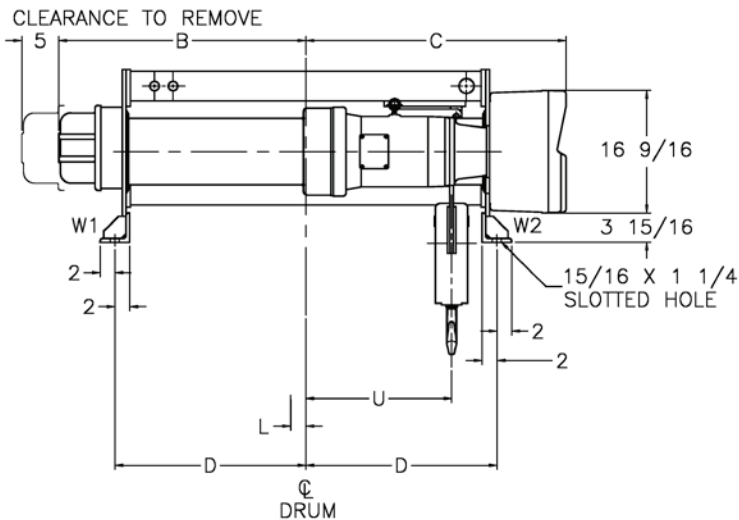
Issued 06-01-12

For Pricing See Page 2d

MODEL NUMBER	Lift (Ft)	Lift Speed (FPM)	HP	B	C	D	Hook Travel		Weight	Drum
							L	U		
C3W02S017-44D2S0	17	44	7-1/2	18-7/16	18-1/4	8-7/8	1-11/16	3	965	1
C3W02S041-44D2S0	41	44	7-1/2	21-1/2	23-1/4	13-7/8	2-1/16	7-3/4	1056	2
C3W02S064-44D2S0	64	44	7-1/2	27	28-3/4	19-3/8	2-1/16	13-1/4	1157	3
C3W02S091-44D2S0	91	44	7-1/2	33-1/2	35-1/4	25-7/8	2-1/16	19-3/4	1274	4
C3W02S133-44D2S0	133	44	7-1/2	43-1/2	45-1/4	35-7/8	2-1/16	29-3/4	1456	5
C3W02S185-44D2S0	185	44	7-1/2	56	57-3/4	48-3/8	2-1/16	42-1/4	1685	6

All dimensions shown in inches unless otherwise specified.
Controls are shipped loose, mounting and final wiring by others.

MOUNTING DATA				
Lift (Ft)	Load In Pounds Per Side			
	W1		W2	
	Lower	Upper	Lower	Upper
17	2692	1635	2273	3330
41	2621	1207	2435	3849
64	2586	1006	2571	4151
91	2593	906	2681	4368
133	2619	846	2837	4610
185	2699	867	2986	4818



ACCO Acco Material Handling Solutions 800-967-7333 www.accomhs.com

WARNING

Equipment described herein is not designed for, and should not be used for, lifting, supporting, or transporting humans. Modifications to upgrade, rerate, or otherwise alter the hoist or crane equipment shall be authorized only by the original manufacturer or qualified professional engineer. Failure to comply with any one of the limitations noted herein may result in serious bodily injury.
© 2012 ACCO Material Handling Solutions

WRIGHT®

Work-Rated®

THE NEW CENTURY SERIES®

Electric Wire Rope Hoists

Issued 06-01-12

Deck Mounted
Series 32

2 Part Single Reeved
3/8 Diameter Rope

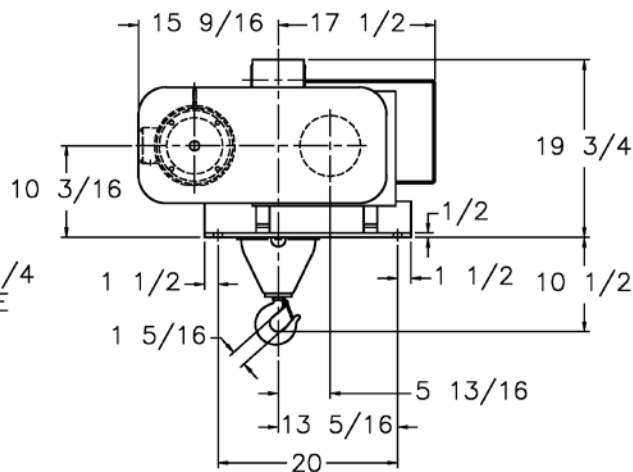
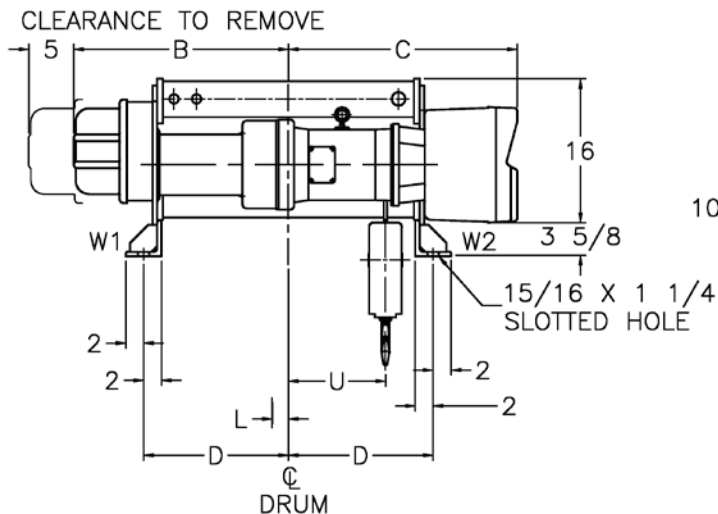
3 TON

For Pricing See Page 3d

MODEL NUMBER	Lift (Ft)	Lift Speed (FPM)	HP	B	C	D	Hook Travel		Weight	Drum
							L	U		
C2W03S017-15D2S0	17	15	3	15-5/8	17-3/8	8	1-13/16	2-11/16	638	1
C2W03S033-15D2S0	33	15	3	19-3/8	21-1/8	11-3/4	1-13/16	6-7/16	684	3
C2W03S051-15D2S0	51	15	3	23-3/4	25-1/2	16-1/8	1-13/16	10-13/16	737	4
C2W03S083-15D2S0	83	15	3	31-1/4	33	23-5/8	1-13/16	18-5/16	829	6
C2W03S017-22D2S0	17	22	5	15-5/8	17-3/8	8	1-13/16	2-11/16	638	1
C2W03S033-22D2S0	33	22	5	19-3/8	21-1/8	11-3/4	1-13/16	6-7/16	684	3
C2W03S051-22D2S0	51	22	5	23-3/4	25-1/2	16-1/8	1-13/16	10-13/16	737	4
C2W03S083-22D2S0	83	22	5	31-1/4	33	23-5/8	1-13/16	18-5/16	829	6

All dimensions shown in inches unless otherwise specified.
Controls are shipped loose, mounting and final wiring by others.

MOUNTING DATA				
Lift (Ft)	Load In Pounds Per Side			
	W1		W2	
	Lower	Upper	Lower	Upper
17	3886	2199	2752	4439
33	3682	1576	3002	5108
51	3575	1226	3162	5511
83	3510	899	3319	5930



800-967-7333 www.accomhs.com



Equipment described herein is not designed for, and should not be used for, lifting, supporting, or transporting humans. Modifications to upgrade, rerate, or otherwise alter the hoist or crane equipment shall be authorized only by the original manufacturer or qualified professional engineer. Failure to comply with any one of the limitations noted herein may result in serious bodily injury.
© 2012 ACCO Material Handling Solutions



Deck Mounted Series 33

3 TON

THE NEW CENTURY SERIES®

2 Part Single Reeved
1/2 Diameter Rope

Electric Wire Rope Hoists

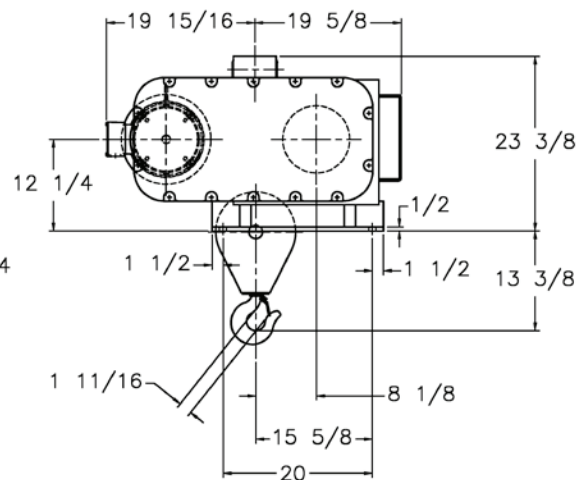
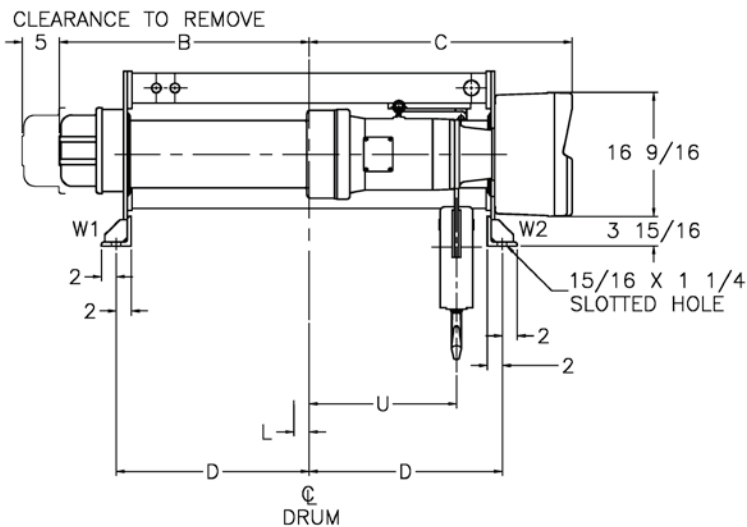
Issued 06-01-12

For Pricing See Page 3d

MODEL NUMBER	Lift (Ft)	Lift Speed (FPM)	HP	B	C	D	Hook Travel		Weight	Drum
							L	U		
C3W03S017-30D2S0	17	30	7-1/2	18-7/16	18-1/4	8-7/8	1-11/16	3	965	1
C3W03S041-30D2S0	41	30	7-1/2	21-1/2	23-1/4	13-7/8	2-1/16	7-3/4	1056	2
C3W03S064-30D2S0	64	30	7-1/2	27	28-3/4	19-3/8	2-1/16	13-1/4	1157	3
C3W03S091-30D2S0	91	30	7-1/2	33-1/2	35-1/4	25-7/8	2-1/16	19-3/4	1274	4
C3W03S133-30D2S0	133	30	7-1/2	43-1/2	45-1/4	35-7/8	2-1/16	29-3/4	1456	5
C3W03S185-30D2S0	185	30	7-1/2	56	57-3/4	48-3/8	2-1/16	42-1/4	1685	6
C3W03S017-44D2S0	17	44	10	18-7/16	18-1/4	8-7/8	1-11/16	3	965	1
C3W03S041-44D2S0	41	44	10	21-1/2	23-1/4	13-7/8	2-1/16	7-3/4	1056	2
C3W03S064-44D2S0	64	44	10	27	28-3/4	19-3/8	2-1/16	13-1/4	1157	3
C3W03S091-44D2S0	91	44	10	33-1/2	35-1/4	25-7/8	2-1/16	19-3/4	1274	4
C3W03S133-44D2S0	133	44	10	43-1/2	45-1/4	35-7/8	2-1/16	29-3/4	1456	5
C3W03S185-44D2S0	185	44	10	56	57-3/4	48-3/8	2-1/16	42-1/4	1685	6

All dimensions shown in inches unless otherwise specified.
Controls are shipped loose, mounting and final wiring by others.

MOUNTING DATA				
Lift (Ft)	Load In Pounds Per Side			
	W1		W2	
	Lower	Upper	Lower	Upper
17	3882	2298	3083	4667
41	3770	1648	3286	5408
64	3693	1322	3464	5835
91	3672	1143	3602	6131
133	3677	1016	3779	6440
185	3742	994	3943	6691



ACCO Acco Material Handling Solutions 800-967-7333 www.accomhs.com



Equipment described herein is not designed for, and should not be used for, lifting, supporting, or transporting humans. Modifications to upgrade, rerate, or otherwise alter the hoist or crane equipment shall be authorized only by the original manufacturer or qualified professional engineer. Failure to comply with any one of the limitations noted herein may result in serious bodily injury.
© 2012 ACCO Material Handling Solutions

WRIGHT®**Work-Rated®****THE NEW CENTURY SERIES®**

Electric Wire Rope Hoists

Issued 06-01-12

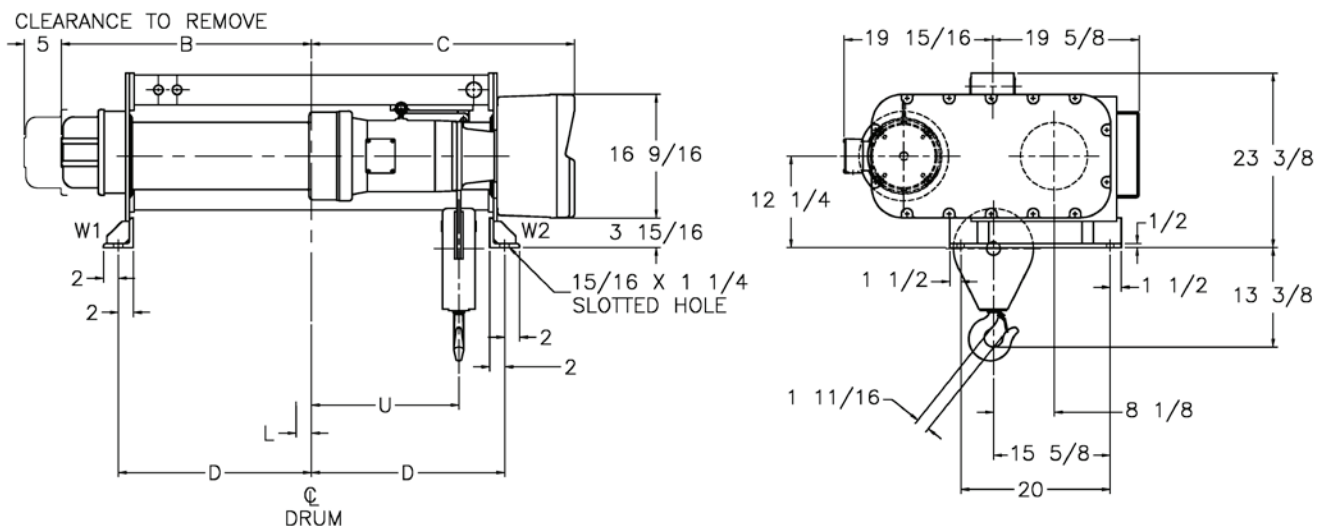
Deck Mounted
Series 332 Part Single Reeved
1/2 Diameter Rope**5 TON**

For Pricing See Page 4d

MODEL NUMBER	Lift (Ft)	Lift Speed (FPM)	HP	B	C	D	Hook Travel		Weight	Drum
							L	U		
C3W05S017-22D2S0	17	22	7-1/2	18-7/16	18-1/4	8-7/8	1-11/16	3	965	1
C3W05S041-22D2S0	41	22	7-1/2	21-1/2	23-1/4	13-7/8	2-1/16	7-3/4	1056	2
C3W05S064-22D2S0	64	22	7-1/2	27	28-3/4	19-3/8	2-1/16	13-1/4	1157	3
C3W05S091-22D2S0	91	22	7-1/2	33-1/2	35-1/4	25-7/8	2-1/16	19-3/4	1274	4
C3W05S133-22D2S0	133	22	7-1/2	43-1/2	45-1/4	35-7/8	2-1/16	29-3/4	1456	5
C3W05S185-22D2S0	185	22	7-1/2	56	57-3/4	48-3/8	2-1/16	42-1/4	1685	6
C3W05S017-30D2S0	17	30	10	18-7/16	18-1/4	8-7/8	1-11/16	3	965	1
C3W05S041-30D2S0	41	30	10	21-1/2	23-1/4	13-7/8	2-1/16	7-3/4	1056	2
C3W05S064-30D2S0	64	30	10	27	28-3/4	19-3/8	2-1/16	13-1/4	1157	3
C3W05S091-30D2S0	91	30	10	33-1/2	35-1/4	25-7/8	2-1/16	19-3/4	1274	4
C3W05S133-30D2S0	133	30	10	43-1/2	45-1/4	35-7/8	2-1/16	29-3/4	1456	5
C3W05S185-30D2S0	185	30	10	56	57-3/4	48-3/8	2-1/16	42-1/4	1685	6

All dimensions shown in inches unless otherwise specified.
Controls are shipped loose, mounting and final wiring by others.

MOUNTING DATA				
Lift (Ft)	Load In Pounds Per Side			
	W1		W2	
	Lower	Upper	Lower	Upper
17	6263	3622	4702	7343
41	6067	2531	4989	8525
64	5902	1954	5255	9203
91	5832	1617	5442	9657
133	5792	1358	5664	10098
185	5827	1247	5858	10438



ACCO Acco Material
Handling Solutions

800-967-7333 www.accomhs.com

WARNING

Equipment described herein is not designed for, and should not be used for, lifting, supporting, or transporting humans. Modifications to upgrade, rerate, or otherwise alter the hoist or crane equipment shall be authorized only by the original manufacturer or qualified professional engineer. Failure to comply with any one of the limitations noted herein may result in serious bodily injury.

© 2012 ACCO Material Handling Solutions

d7



Deck Mounted Series 34

5 TON

2 Part Single Reeved
5/8 Diameter Rope

THE NEW CENTURY SERIES®

Electric Wire Rope Hoists

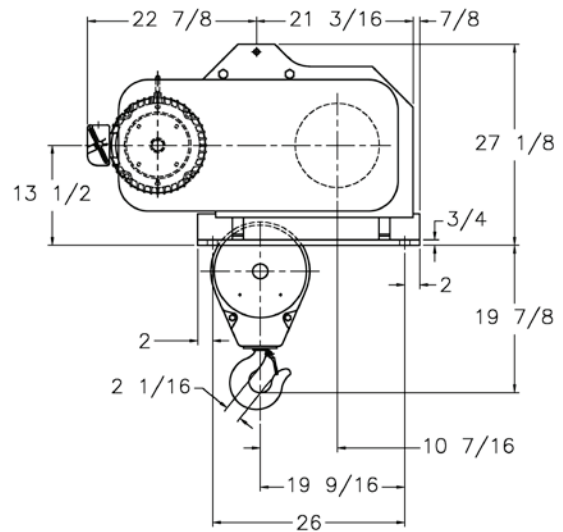
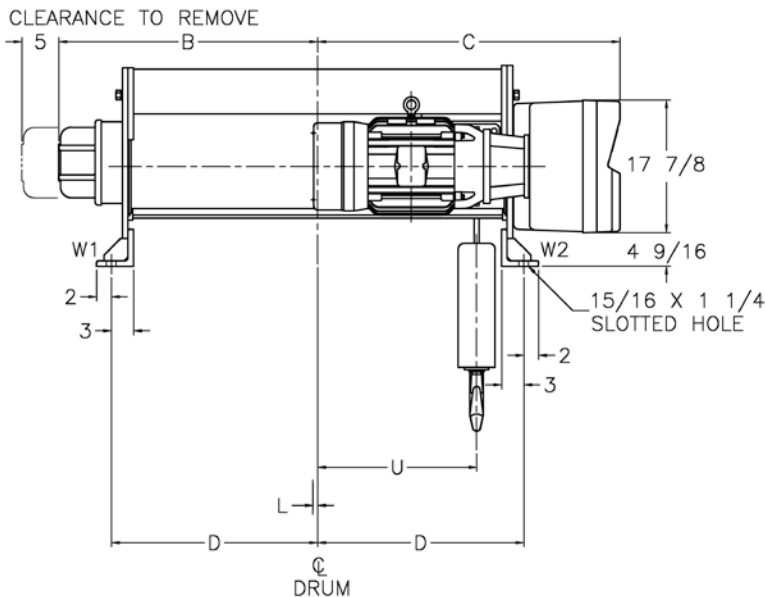
Issued 06-01-12

For Pricing See Page 4d

MODEL NUMBER	Lift (Ft)	Lift Speed (FPM)	HP	B	C	D	Hook Travel		Weight	Drum
							L	U		
C4W05S017-44D2S0	17	44	15	18-9/16	22-7/8	9-7/8	5/8	3-1/2	1770	1
C4W05S048-44D2S0	48	44	15	24-1/2	30-3/8	17-3/8	5/8	11	1960	2
C4W05S067-44D2S0	67	44	15	29	34-7/8	21-7/8	5/8	15-1/2	2110	3
C4W05S092-44D2S0	92	44	15	35	40-7/8	27-7/8	5/8	21-1/2	2250	4
C4W05S138-44D2S0	138	44	15	46	51-7/8	38-7/8	5/8	32-1/2	2530	5
C4W05S201-44D2S0	201	44	15	61	66-7/8	53-7/8	5/8	47-1/2	2910	6

All dimensions shown in inches unless otherwise specified.
Controls are shipped loose, mounting and final wiring by others.

MOUNTING DATA				
Lift (Ft)	Load in Pounds Per Side			
	W1		W2	
	Lower	Upper	Lower	Upper
17	5776	3687	5994	8083
48	5706	2360	6254	9600
67	5765	2079	6345	10031
92	5762	1794	6488	10456
138	5747	1487	6783	11043
201	6029	1563	6881	11347



ACCO Acco Material Handling Solutions 800-967-7333 www.accomhs.com



Equipment described herein is not designed for, and should not be used for, lifting, supporting, or transporting humans. Modifications to upgrade, rerate, or otherwise alter the hoist or crane equipment shall be authorized only by the original manufacturer or qualified professional engineer. Failure to comply with any one of the limitations noted herein may result in serious bodily injury.
© 2012 ACCO Material Handling Solutions

WRIGHT®
Work-Rated®
THE NEW CENTURY SERIES®

Deck Mounted
Series 33

4 Part Single Reeved
 1/2 Diameter Rope

7 1/2 TON

Electric Wire Rope Hoists

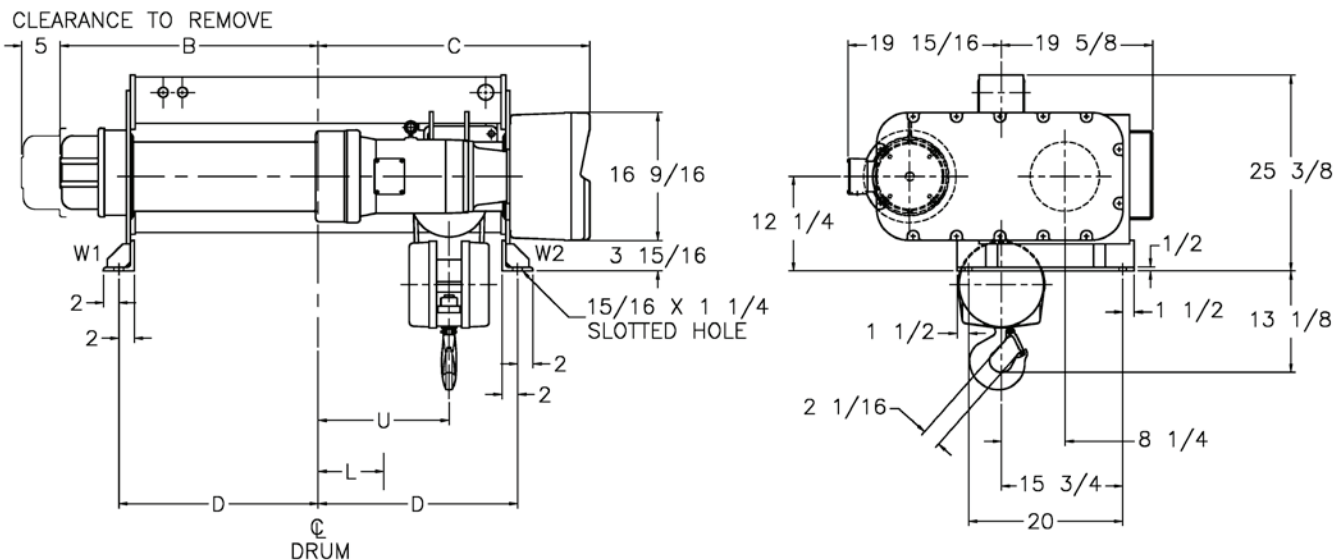
Issued 06-01-12

For Pricing See Page 5d

MODEL NUMBER	Lift (Ft)	Lift Speed (FPM)	HP	B	C	D	Hook Travel		Weight	Drum
							L	U		
C3W07S024-15D4S0	24	15	7-1/2	27	28-3/4	19-3/8	5	10-1/2	1213	3
C3W07S038-15D4S0	38	15	7-1/2	33-1/2	35-1/4	25-7/8	8-1/2	17	1336	4
C3W07S059-15D4S0	59	15	7-1/2	43-1/2	45-1/4	35-7/8	13-1/2	27	1528	5
C3W07S085-15D4S0	85	15	7-1/2	56	57-3/4	48-3/8	19-1/2	39-1/2	1765	6
C3W07S024-22D4S0	24	22	10	27	28-3/4	19-3/8	5	10-1/2	1213	3
C3W07S038-22D4S0	38	22	10	33-1/2	35-1/4	25-7/8	8-1/2	17	1336	4
C3W07S059-22D4S0	59	22	10	43-1/2	45-1/4	35-7/8	13-1/2	27	1528	5
C3W07S085-22D4S0	85	22	10	56	57-3/4	48-3/8	19-1/2	39-1/2	1765	6

All dimensions shown in inches unless otherwise specified.
 Controls are shipped loose, mounting and final wiring by others.

MOUNTING DATA				
Lift (Ft)	Load In Pounds Per Side			
	W1		W2	
	Lower	Upper	Lower	Upper
24	5963	3834	10250	12379
38	5485	3021	10851	13315
59	5213	2390	11315	14138
85	5129	2028	11636	14737



ACCO Acco Material Handling Solutions 800-967-7333 www.accomhs.com

WARNING

Equipment described herein is not designed for, and should not be used for, lifting, supporting, or transporting humans. Modifications to upgrade, rerate, or otherwise alter the hoist or crane equipment shall be authorized only by the original manufacturer or qualified professional engineer. Failure to comply with any one of the limitations noted herein may result in serious bodily injury.
 © 2012 ACCO Material Handling Solutions

WRIGHT®
Work-Rated®

Deck Mounted
Series 34

7¹/₂ TON

2 Part Single Reeved
5/8 Diameter Rope

THE NEW CENTURY SERIES®

Electric Wire Rope Hoists

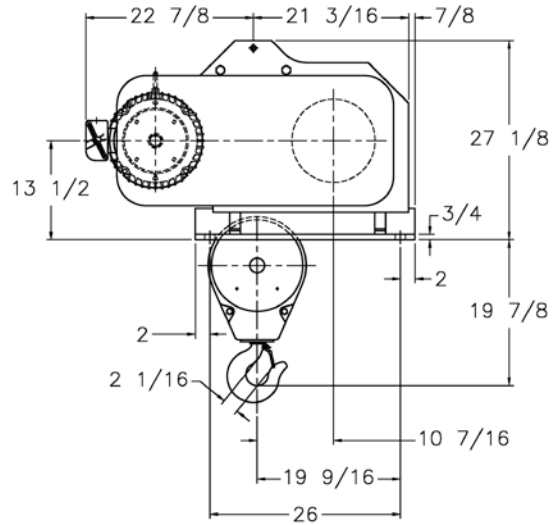
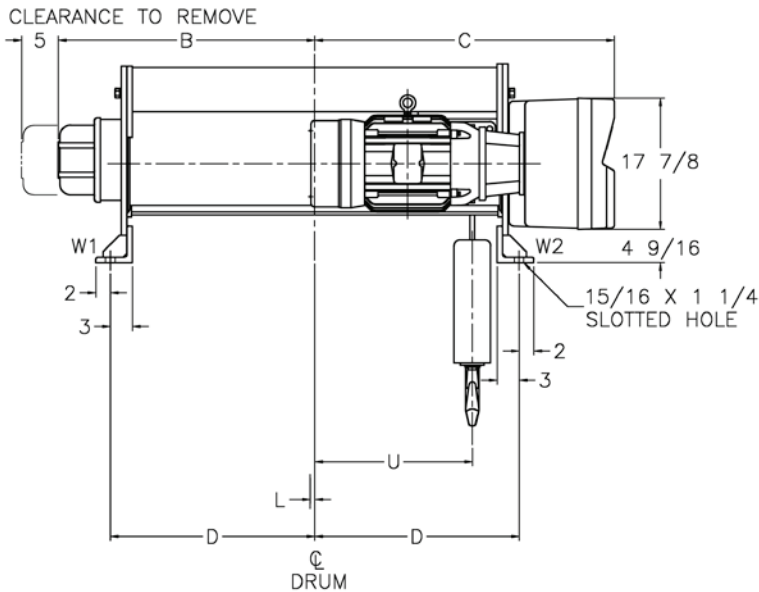
Issued 06-01-12

For Pricing See Page 5d

MODEL NUMBER	Lift (Ft)	Lift Speed (FPM)	HP	B	C	D	Hook Travel		Weight	Drum
							L	U		
C4W07S017-30D2S0	17	30	15	18-9/16	22-7/8	9-7/8	5/8	3-1/2	1770	1
C4W07S048-30D2S0	48	30	15	24-1/2	30-3/8	17-3/8	5/8	11	1960	2
C4W07S067-30D2S0	67	30	15	29	34-7/8	21-7/8	5/8	15-1/2	2110	3
C4W07S092-30D2S0	92	30	15	35	40-7/8	27-7/8	5/8	21-1/2	2250	4
C4W07S138-30D2S0	138	30	15	46	51-7/8	38-7/8	5/8	32-1/2	2530	5
C4W07S201-30D2S0	201	30	15	61	66-7/8	53-7/8	5/8	47-1/2	2910	6

All dimensions shown in inches unless otherwise specified.
Controls are shipped loose, mounting and final wiring by others.

MOUNTING DATA				
Lift (Ft)	Load in Pounds Per Side			
	W1		W2	
	Lower	Upper	Lower	Upper
17	8375	5301	8395	11469
48	8296	3278	8664	13682
67	8337	2808	8773	14302
92	8251	2298	8999	14952
138	8288	1897	9242	15633
201	8558	1859	9352	16051



ACCO Acco Material Handling Solutions 800-967-7333 www.accomhs.com

WARNING

Equipment described herein is not designed for, and should not be used for, lifting, supporting, or transporting humans. Modifications to upgrade, rerate, or otherwise alter the hoist or crane equipment shall be authorized only by the original manufacturer or qualified professional engineer. Failure to comply with any one of the limitations noted herein may result in serious bodily injury.
© 2012 ACCO Material Handling Solutions

WRIGHT®
 Work-Rated®
 THE NEW CENTURY SERIES®

Deck Mounted
Series 35

2 Part Single Reeved
 3/4 Diameter Rope

7 1/2 TON

Electric Wire Rope Hoists

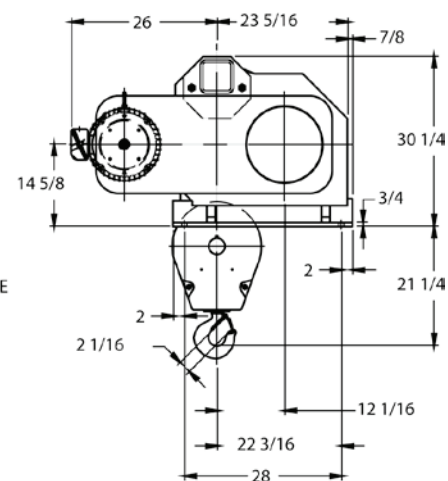
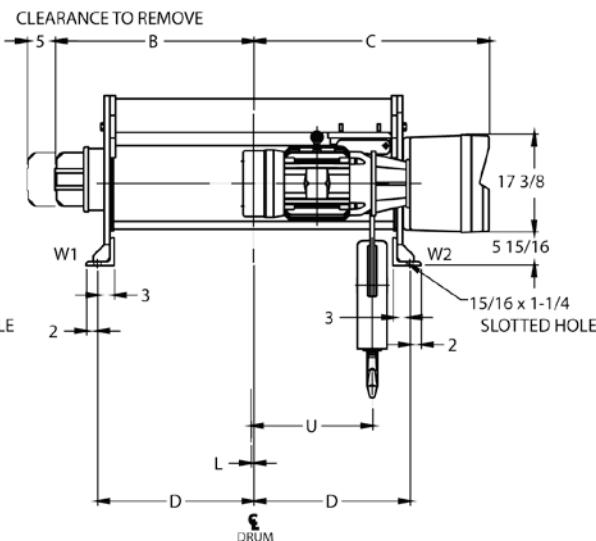
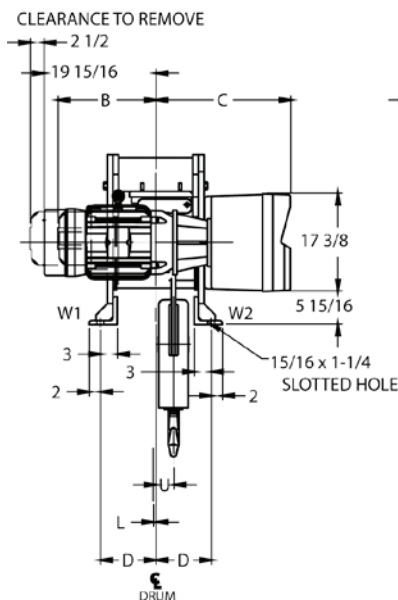
Issued 06-01-12

For Pricing See Page 5d

MODEL NUMBER	Lift (Ft)	Lift Speed (FPM)	HP	B	C	D	Hook Travel		Weight	Drum
							L	U		
C5W07S015-44D2S0	15	44	20	17-3/8	24-1/8	9-7/8	7/16	3-3/16	2323	1
C5W07S046-44D2S0	46	44	20	24-7/8	31-5/8	17-3/8	7/16	10-11/16	2588	2
C5W07S065-44D2S0	65	44	20	29-3/8	36-1/8	21-7/8	7/16	15-3/16	2982	3
C5W07S090-44D2S0	90	44	20	35-3/8	42-1/8	27-7/8	7/16	21-3/16	3297	4
C5W07S128-44D2S0	128	44	20	44-3/8	51-1/8	36-7/8	7/16	30-3/16	3762	5
C5W07S180-44D2S0	180	44	20	56-7/8	63-5/8	49-3/8	7/16	42-11/16	4420	6

All dimensions shown in inches unless otherwise specified.
 Controls are shipped loose, mounting and final wiring by others.

MOUNTING DATA				
Lift (Ft)	Load In Pounds Per Side			
	W1		W2	
	Lower	Upper	Lower	Upper
15	8468	5715	8855	11608
46	8458	3656	9130	13932
65	8670	3313	9312	14669
90	8820	3002	9477	15295
128	9074	2845	9688	15917
180	9485	2934	9943	16494



ACCO Acco Material Handling Solutions 800-967-7333 www.accomhs.com

WARNING

Equipment described herein is not designed for, and should not be used for, lifting, supporting, or transporting humans. Modifications to upgrade, rerate, or otherwise alter the hoist or crane equipment shall be authorized only by the original manufacturer or qualified professional engineer. Failure to comply with any one of the limitations noted herein may result in serious bodily injury.

© 2012 ACCO Material Handling Solutions

WRIGHT®
Work-Rated®

Deck Mounted
Series 33

10 TON

4 Part Single Reeved
1/2 Diameter Rope

THE NEW CENTURY SERIES®

Electric Wire Rope Hoists

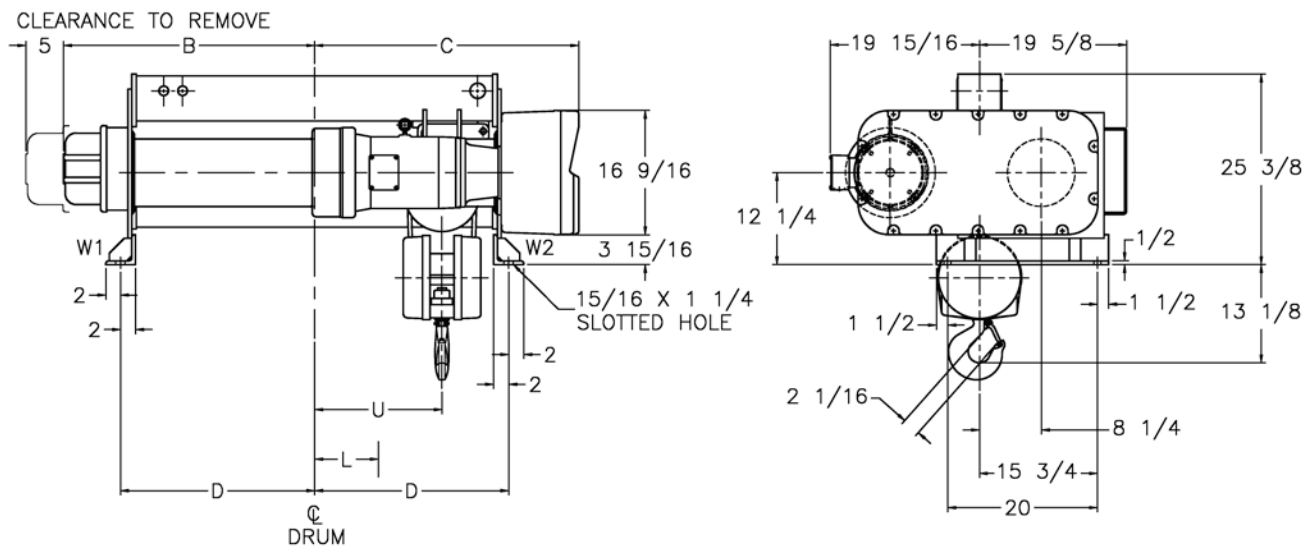
Issued 06-01-12

For Pricing See Page 6d

MODEL NUMBER	Lift (Ft)	Lift Speed (FPM)	HP	B	C	D	Hook Travel		Weight	Drum
							L	U		
C3W10S024-15D4S0	24	15	10	27	28-3/4	19-3/8	5	10-1/2	1213	3
C3W10S038-15D4S0	38	15	10	33-1/2	35-1/4	25-7/8	8-1/2	17	1336	4
C3W10S059-15D4S0	59	15	10	43-1/2	45-1/4	35-7/8	13-1/2	27	1528	5
C3W10S085-15D4S0	85	15	10	56	57-3/4	48-3/8	19-1/2	39-1/2	1765	6

All dimensions shown in inches unless otherwise specified.
Controls are shipped loose, mounting and final wiring by others.

MOUNTING DATA				
Lift (Ft)	Load In Pounds Per Side			
	W1		W2	
	Lower	Upper	Lower	Upper
24	7818	4979	13395	16234
38	7164	3879	14172	17457
59	6772	3009	14756	18519
85	6621	2487	15144	19278



ACCO Acco Material Handling Solutions 800-967-7333 www.accomhs.com

WARNING

Equipment described herein is not designed for, and should not be used for, lifting, supporting, or transporting humans. Modifications to upgrade, rerate, or otherwise alter the hoist or crane equipment shall be authorized only by the original manufacturer or qualified professional engineer. Failure to comply with any one of the limitations noted herein may result in serious bodily injury.
© 2012 ACCO Material Handling Solutions

WRIGHT®

Work-Rated®

THE NEW CENTURY SERIES®

Electric Wire Rope Hoists

Issued 06-01-12

Deck Mounted
Series 34

4 Part Single Reeved
5/8 Diameter Rope

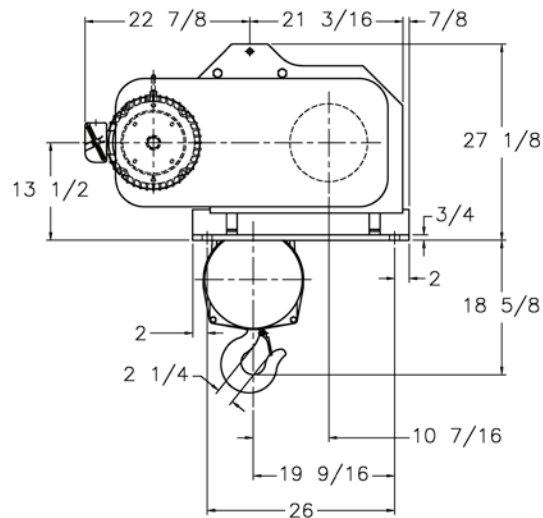
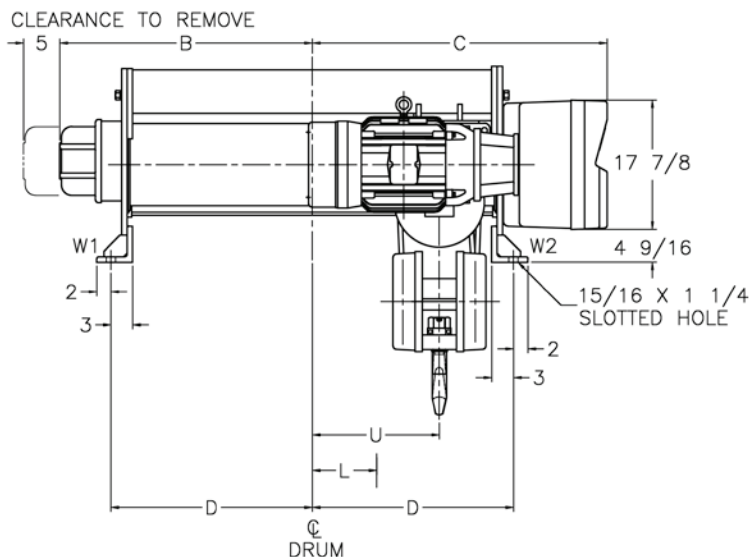
10 TON

For Pricing See Page 6d

MODEL NUMBER	Lift (Ft)	Lift Speed (FPM)	HP	B	C	D	Hook Travel		Weight	Drum
							L	U		
C4W10S025-22D4S0	25	22	15	29	34-7/8	21-7/8	5-15/16	11-5/8	2170	3
C4W10S038-22D4S0	38	22	15	35	40-7/8	27-7/8	8-15/16	17-5/8	2320	4
C4W10S061-22D4S0	61	22	15	46	51-7/8	38-7/8	14-7/16	28-5/8	2630	5
C4W10S092-22D4S0	92	22	15	61	66-7/8	53-7/8	21-15/16	43-5/8	3000	6

All dimensions shown in inches unless otherwise specified.
Controls are shipped loose, mounting and final wiring by others.

MOUNTING DATA				
Lift (Ft)	Load In Pounds Per Side			
	W1		W2	
	Lower	Upper	Lower	Upper
25	7867	5267	14303	16903
38	7436	4319	14884	18001
61	7081	3431	15549	19199
92	6895	2870	16105	20130



800-967-7333 www.accomhs.com



Equipment described herein is not designed for, and should not be used for, lifting, supporting, or transporting humans. Modifications to upgrade, rerate, or otherwise alter the hoist or crane equipment shall be authorized only by the original manufacturer or qualified professional engineer. Failure to comply with any one of the limitations noted herein may result in serious bodily injury.

© 2012 ACCO Material Handling Solutions

WRIGHT®
Work-Rated®

THE NEW CENTURY SERIES®

Electric Wire Rope Hoists

Issued 06-01-12

Deck Mounted
Series 35

2 Part Single Reeved
3/4 Diameter Rope

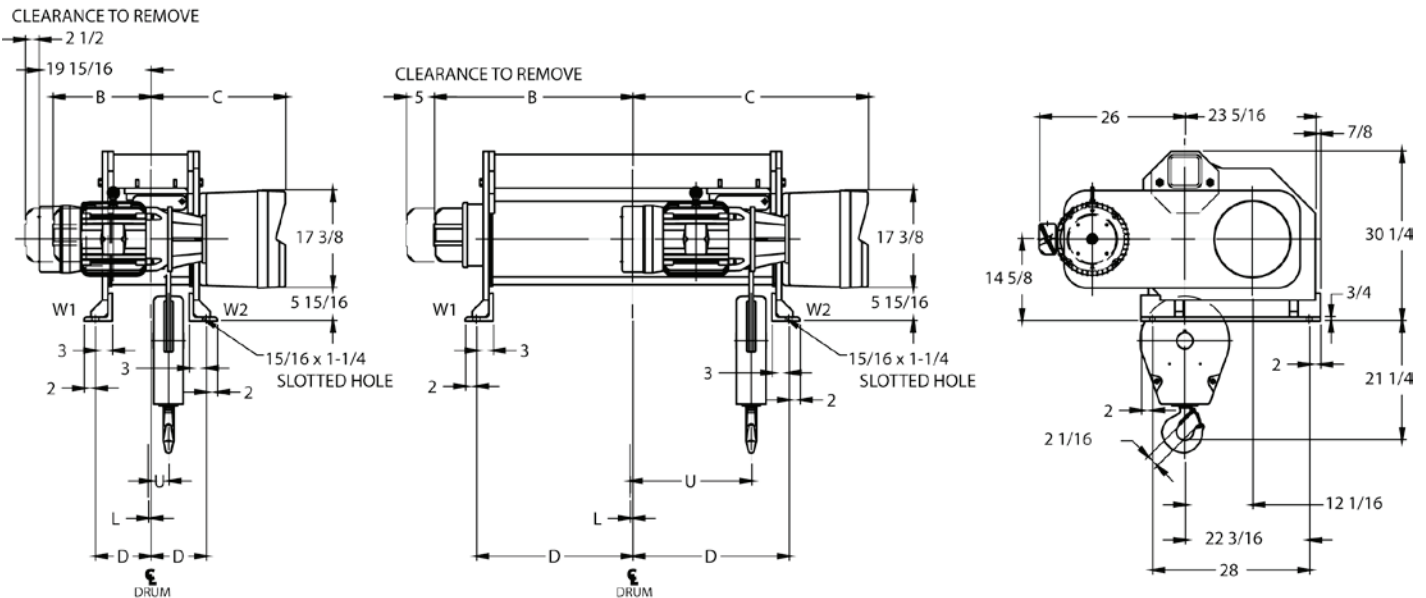
10 TON

For Pricing See Page 6d

MODEL NUMBER	Lift (Ft)	Lift Speed (FPM)	HP	B	C	D	Hook Travel		Weight	Drum
							L	U		
C5W10S015-30D2S0	15	30	20	17-3/8	24-1/8	9-7/8	7/16	3-3/16	2323	1
C5W10S048-30D2S0	46	30	20	24-7/8	31-5/8	17-3/8	7/16	10-11/16	2588	2
C5W10S065-30D2S0	65	30	20	29-3/8	36-1/8	21-7/8	7/16	15-3/16	2982	3
C5W10S090-30D2S0	90	30	20	35-3/8	42-1/8	27-7/8	7/16	21-3/16	3297	4
C5W10S128-30D2S0	128	30	20	44-3/8	51-1/8	36-7/8	7/16	30-3/16	3762	5
C5W10S180-30D2S0	180	30	20	56-7/8	63-5/8	49-3/8	7/16	42-11/16	4420	6

All dimensions shown in inches unless otherwise specified.
Controls are shipped loose, mounting and final wiring by others.

MOUNTING DATA				
Lift (Ft)	Load In Pounds Per Side			
	W1		W2	
	Lower	Upper	Lower	Upper
15	11079	7408	11244	24915
46	11021	4619	11567	17969
65	11220	4077	11762	18905
90	11359	3601	11938	11696
128	11604	3289	12158	20473
180	12007	3272	12421	21156



AGCO Acco Material Handling Solutions 800-967-7333 www.accomhs.com

WARNING

Equipment described herein is not designed for, and should not be used for, lifting, supporting, or transporting humans. Modifications to upgrade, rerate, or otherwise alter the hoist or crane equipment shall be authorized only by the original manufacturer or qualified professional engineer. Failure to comply with any one of the limitations noted herein may result in serious bodily injury.
© 2012 ACCO Material Handling Solutions

WRIGHT®
Work-Rated®
THE NEW CENTURY SERIES®

Deck Mounted
Series 34

4 Part Single Reeved
 5/8 Diameter Rope

15 TON

Electric Wire Rope Hoists

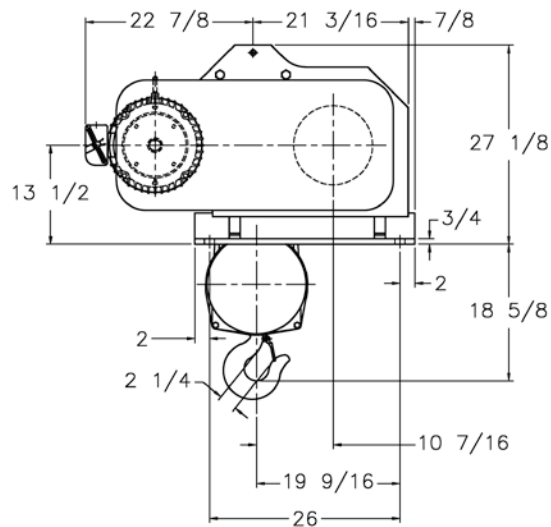
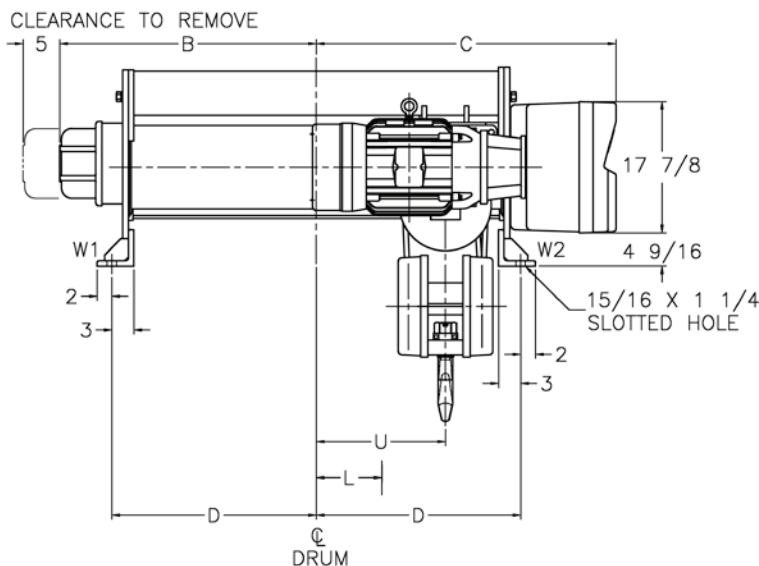
Issued 06-01-12

For Pricing See Page 7d

MODEL NUMBER	Lift (Ft)	Lift Speed (FPM)	HP	B	C	D	Hook Travel		Weight	Drum
							L	U		
C4W15S025-15D4S0	25	15	15	29	34-7/8	21-7/8	5-15/16	11-5/8	2170	3
C4W15S038-15D4S0	38	15	15	35	40-7/8	27-7/8	8-15/16	17-5/8	2320	4
C4W15S061-15D4S0	61	15	15	46	51-7/8	38-7/8	14-7/16	28-5/8	2630	5
C4W15S092-15D4S0	92	15	15	61	66-7/8	53-7/8	21-15/16	43-5/8	3000	6

All dimensions shown in inches unless otherwise specified.
 Controls are shipped loose, mounting and final wiring by others.

MOUNTING DATA				
Lift (Ft)	Load In Pounds Per Side			
	W1		W2	
	Lower	Upper	Lower	Upper
25	11509	7609	20661	24561
38	10833	6158	21487	26162
61	10224	4749	22406	27881
92	9859	3821	23141	29141



Acco Material Handling Solutions 800-967-7333 www.accomhs.com

WARNING

Equipment described herein is not designed for, and should not be used for, lifting, supporting, or transporting humans. Modifications to upgrade, rerate, or otherwise alter the hoist or crane equipment shall be authorized only by the original manufacturer or qualified professional engineer. Failure to comply with any one of the limitations noted herein may result in serious bodily injury.
 © 2012 ACCO Material Handling Solutions

WRIGHT® Work-Rated®

Deck Mounted Series 35

15 TON

4 Part Single Reeved
3/4 Diameter Rope

THE NEW CENTURY SERIES®

Electric Wire Rope Hoists

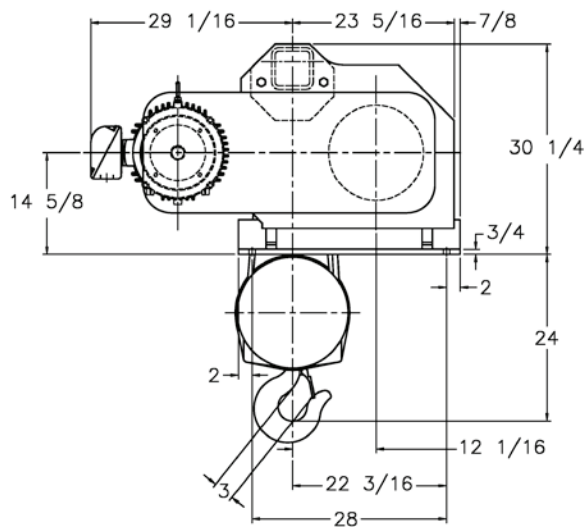
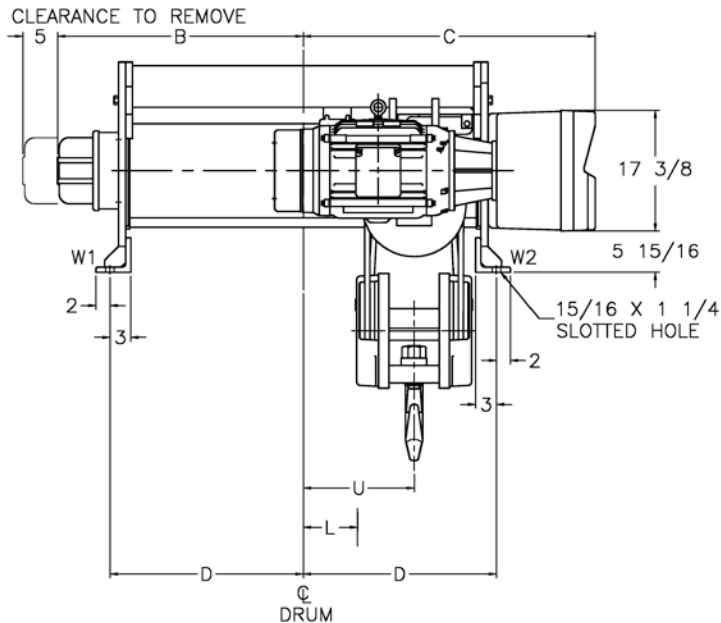
Issued 06-01-12

For Pricing See Page 7d

MODEL NUMBER	Lift (Ft)	Lift Speed (FPM)	HP	B	C	D	Hook Travel		Weight	Drum
							L	U		
C5W15S021-22D4S0	21	22	20	29-3/8	36-1/8	21-7/8	4-13/16	10	2950	3
C5W15S034-22D4S0	34	22	20	35-3/8	42-1/8	27-7/8	7-13/16	16	3248	4
C5W15S053-22D4S0	53	22	20	44-3/8	51-1/8	36-7/8	12-5/16	25	3472	5
C5W15S079-22D4S0	79	22	20	56-7/8	63-5/8	49-3/8	18-9/16	37-1/2	4438	6

All dimensions shown in inches unless otherwise specified.
Controls are shipped loose, mounting and final wiring by others.

MOUNTING DATA				
Lift (Ft)	Load In Pounds Per Side			
	W1		W2	
	Lower	Upper	Lower	Upper
21	12705	9148	20245	23802
34	12289	7547	20959	25701
53	11340	6179	22132	27293
79	11316	5563	23122	28875



ACCO Acco Material Handling Solutions 800-967-7333 www.accomhs.com

WARNING

Equipment described herein is not designed for, and should not be used for, lifting, supporting, or transporting humans. Modifications to upgrade, rerate, or otherwise alter the hoist or crane equipment shall be authorized only by the original manufacturer or qualified professional engineer. Failure to comply with any one of the limitations noted herein may result in serious bodily injury.
© 2012 ACCO Material Handling Solutions

WRIGHT®
Work-Rated®
THE NEW CENTURY SERIES®

Deck Mounted
Series 35

4 Part Single Reeved
 3/4 Diameter Rope

20 TON

Electric Wire Rope Hoists

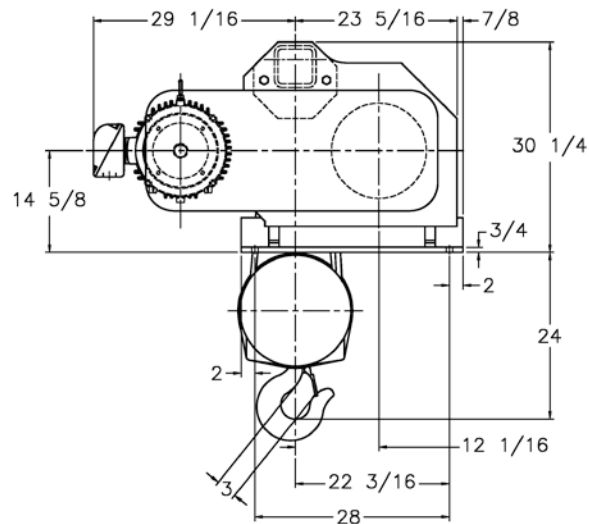
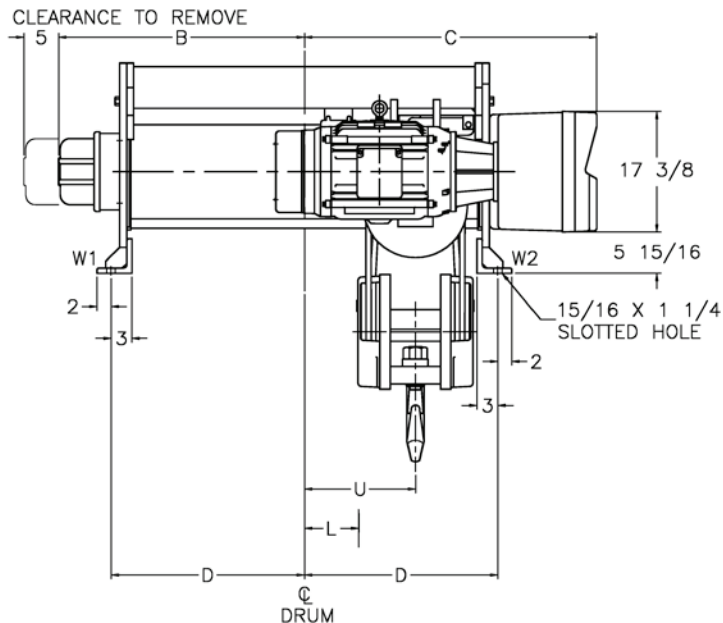
Issued 06-01-12

For Pricing See Page 8d

MODEL NUMBER	Lift (Ft)	Lift Speed (FPM)	HP	B	C	D	Hook Travel		Weight	Drum
							L	U		
C5W20S021-15D4S0	21	15	20	29-3/8	36-1/8	21-7/8	4-13/16	10	2950	3
C5W20S034-15D4S0	34	15	20	35-3/8	42-1/8	27-7/8	7-13/16	16	3248	4
C5W20S053-15D4S0	53	15	20	44-3/8	51-1/8	36-7/8	12-5/16	25	3472	5
C5W20S079-15D4S0	79	15	20	56-7/8	63-5/8	49-3/8	18-9/16	37-1/2	4438	6

All dimensions shown in inches unless otherwise specified.
 Controls are shipped loose, mounting and final wiring by others.

MOUNTING DATA				
Lift (Ft)	Load In Pounds Per Side			
	W1		W2	
	Lower	Upper	Lower	Upper
21	16005	11862	26345	31088
34	16000	9677	27248	33571
53	14671	7790	28801	35682
79	14436	6765	30002	37673



ACCO Acco Material Handling Solutions 800-967-7333 www.accomhs.com

WARNING

Equipment described herein is not designed for, and should not be used for, lifting, supporting, or transporting humans. Modifications to upgrade, rerate, or otherwise alter the hoist or crane equipment shall be authorized only by the original manufacturer or qualified professional engineer. Failure to comply with any one of the limitations noted herein may result in serious bodily injury.
 © 2012 ACCO Material Handling Solutions



Deck Mounted Series 32

1 TON

THE NEW CENTURY SERIES®

2 Part Double Reeved
3/8 Diameter Rope

Electric Wire Rope Hoists

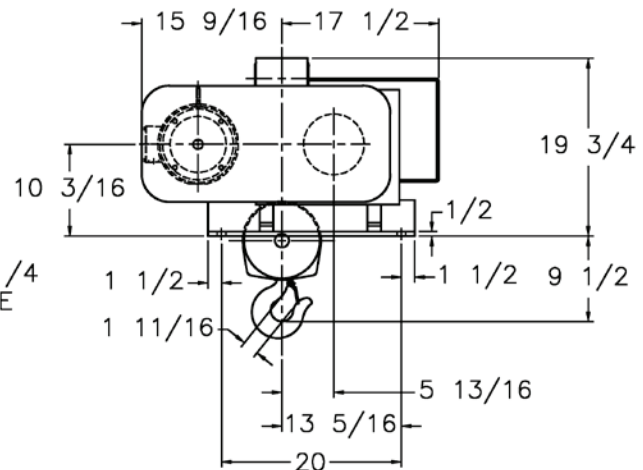
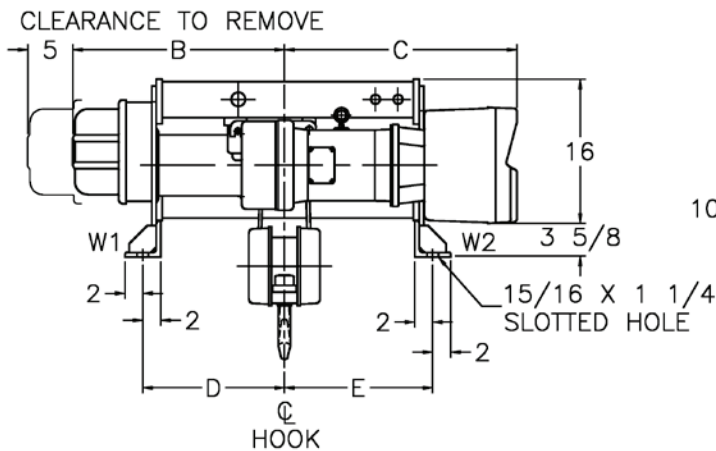
Issued 06-01-12

For Pricing See Page 9d

MODEL NUMBER	Lift (Ft)	Lift Speed (FPM)	HP	B	C	D	E	Weight	Drum
C2W01D020-15D2D0	20	15	3	23-3/8	25-7/8	15-3/4	16-1/2	748	4
C2W01D036-15D2D0	36	15	3	30-7/8	33-3/8	23-1/4	24	839	6
C2W01D060-15D2D0	60	15	3	42-1/2	44-1/2	34-3/8	35-1/8	993	7
C2W01D085-15D2D0	85	15	3	53-3/4	56-1/4	46-1/8	46-7/8	1142	8
C2W01D020-22D2D0	20	22	3	23-3/8	25-7/8	15-3/4	16-1/2	748	4
C2W01D036-22D2D0	36	22	3	30-7/8	33-3/8	23-1/4	24	839	6
C2W01D060-22D2D0	60	22	3	42-1/2	44-1/2	34-3/8	35-1/8	993	7
C2W01D085-22D2D0	85	22	3	53-3/4	56-1/4	46-1/8	46-7/8	1142	8
C2W01D020-30D2D0	20	30	3	23-3/8	25-7/8	15-3/4	16-1/2	748	4
C2W01D036-30D2D0	36	30	3	30-7/8	33-3/8	23-1/4	24	839	6
C2W01D060-30D2D0	60	30	3	42-1/2	44-1/2	34-3/8	35-1/8	993	7
C2W01D085-30D2D0	85	30	3	53-3/4	56-1/4	46-1/8	46-7/8	1142	8

All dimensions shown in inches unless otherwise specified.
Controls are shipped loose, mounting and final wiring by others.

MOUNTING DATA		
Lift (Ft)	Load In Pounds Per Side	
	W1	W2
20	1261	1487
36	1291	1548
60	1356	1637
85	1426	1716



ACCO Acco Material Handling Solutions 800-967-7333 www.accomhs.com



Equipment described herein is not designed for, and should not be used for, lifting, supporting, or transporting humans. Modifications to upgrade, rerate, or otherwise alter the hoist or crane equipment shall be authorized only by the original manufacturer or qualified professional engineer. Failure to comply with any one of the limitations noted herein may result in serious bodily injury.
© 2012 ACCO Material Handling Solutions

WRIGHT®
Work-Rated®

THE NEW CENTURY SERIES®

Electric Wire Rope Hoists

Issued 06-01-12

Deck Mounted Series 33

2 Part Double Reeved
3/8 Diameter Rope

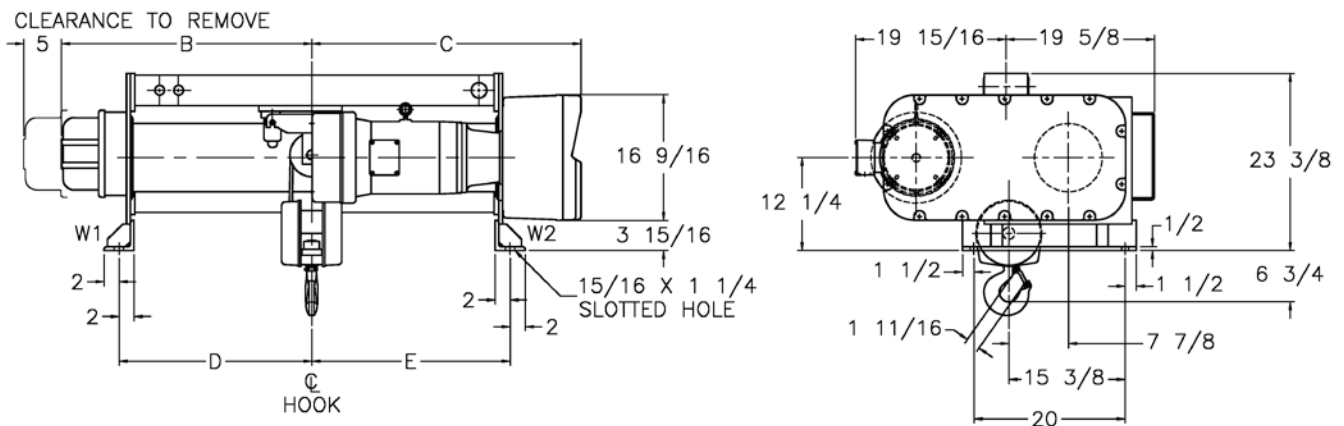
1 TON

For Pricing See Page 9d

MODEL NUMBER	Lift (Ft)	Lift Speed (FPM)	HP	B	C	D	E	F	Weight	Drum
C3W01D020-44D2D0	20	44	7-1/2	21-1/8	23-5/8	13-1/2	14-1/4	23-3/8	1046	2
C3W01D036-44D2D0	36	44	7-1/2	26-5/8	29-1/8	19	19-3/4	23-3/8	1140	3
C3W01D054-44D2D0	54	44	7-1/2	33-1/8	35-5/8	25-1/2	26-1/4	23-3/8	1249	4
C3W01D082-44D2D0	82	44	7-1/2	43-1/8	45-5/8	35-1/2	36-1/4	23-3/8	1420	5
C3W01D118-44D2D0	118	44	7-1/2	55-5/8	58-1/8	48	48-3/4	25-3/8	1632	6

All dimensions shown in inches unless otherwise specified.
Controls are shipped loose, mounting and final wiring by others.

MOUNTING DATA		
Lift (Ft)	Load in Pounds Per Side	
	W1	W2
20	1468	1578
36	1384	1756
54	1425	1824
82	1498	1922
118	1596	2036



ACCO Acco Material Handling Solutions 800-967-7333 www.accomhs.com

WARNING

Equipment described herein is not designed for, and should not be used for, lifting, supporting, or transporting humans. Modifications to upgrade, rerate, or otherwise alter the hoist or crane equipment shall be authorized only by the original manufacturer or qualified professional engineer. Failure to comply with any one of the limitations noted herein may result in serious bodily injury.
© 2012 ACCO Material Handling Solutions

WRIGHT®
Work-Rated®

Deck Mounted
Series 32

2 TON

THE NEW CENTURY SERIES®

2 Part Double Reeved
3/8 Diameter Rope

Electric Wire Rope Hoists

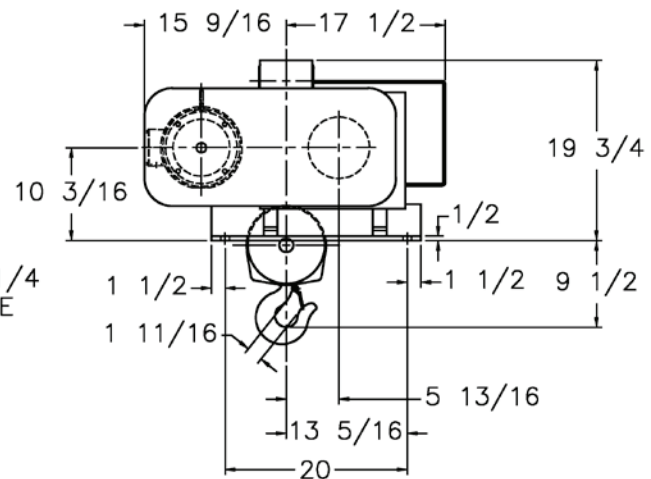
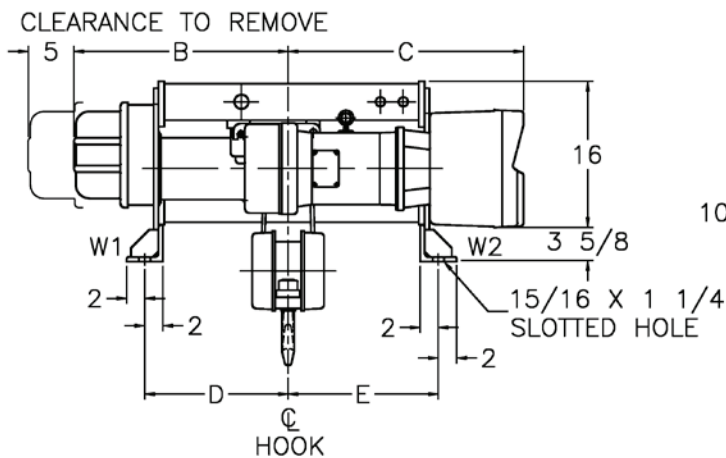
Issued 06-01-12

For Pricing See Page 10d

MODEL NUMBER	Lift (Ft)	Lift Speed (FPM)	HP	B	C	D	E	Weight	Drum
C2W02D020-15D2D0	20	15	3	23-3/8	25-7/8	15-3/4	16-1/2	748	4
C2W02D036-15D2D0	36	15	3	30-7/8	33-3/8	23-1/4	24	839	6
C2W02D060-15D2D0	60	15	3	42-1/2	44-1/2	34-3/8	35-1/8	993	7
C2W02D085-15D2D0	85	15	3	53-3/4	56-1/4	46-1/8	46-7/8	1142	8
C2W02D020-22D2D0	20	22	3	23-3/8	25-7/8	15-3/4	16-1/2	748	4
C2W02D036-22D2D0	36	22	3	30-7/8	33-3/8	23-1/4	24	839	6
C2W02D060-22D2D0	60	22	3	42-1/2	44-1/2	34-3/8	35-1/8	993	7
C2W02D085-22D2D0	85	22	3	53-3/4	56-1/4	46-1/8	46-7/8	1142	8
C2W02D020-30D2D0	20	30	5	23-3/8	25-7/8	15-3/4	16-1/2	748	4
C2W02D036-30D2D0	36	30	5	30-7/8	33-3/8	23-1/4	24	839	6
C2W02D060-30D2D0	60	30	5	42-1/2	44-1/2	34-3/8	35-1/8	993	7
C2W02D085-30D2D0	85	30	5	53-3/4	56-1/4	46-1/8	46-7/8	1142	8

All dimensions shown in inches unless otherwise specified.
Controls are shipped loose, mounting and final wiring by others.

MOUNTING DATA		
Lift (Ft)	Load In Pounds Per Side	
	W1	W2
20	2285	2463
36	2307	2532
60	2367	2626
85	2434	2708



ACCO Acco Material Handling Solutions 800-967-7333 www.accomhs.com

WARNING

Equipment described herein is not designed for, and should not be used for, lifting, supporting, or transporting humans. Modifications to upgrade, rerate, or otherwise alter the hoist or crane equipment shall be authorized only by the original manufacturer or qualified professional engineer. Failure to comply with any one of the limitations noted herein may result in serious bodily injury.

© 2012 ACCO Material Handling Solutions

WRIGHT®
Work-Rated®

THE NEW CENTURY SERIES®

Electric Wire Rope Hoists

Issued 06-01-12

Deck Mounted
Series 33

2 Part Double Reeved
3/8 Diameter Rope

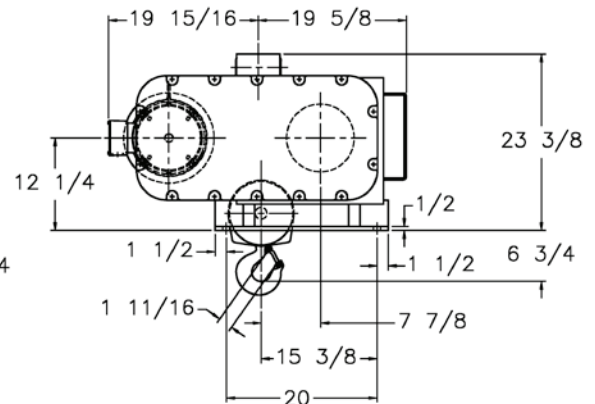
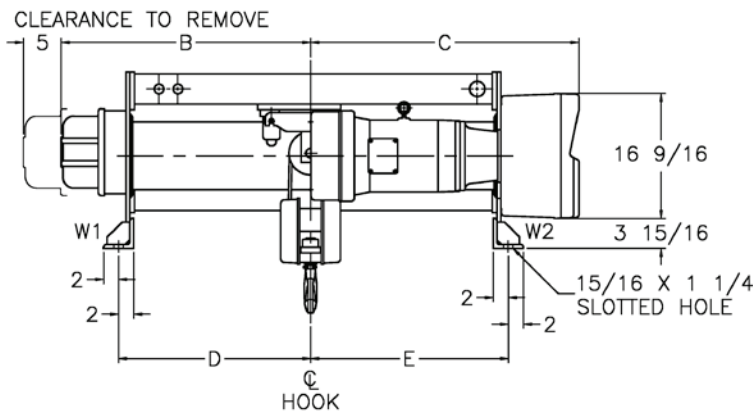
2 TON

For Pricing See Page 10d

MODEL NUMBER	Lift (Ft)	Lift Speed (FPM)	HP	B	C	D	E	F	Weight	Drum
C3W02D020-44D2D0	20	44	7-1/2	21-1/8	23-5/8	13-1/2	14-1/4	23-3/8	1046	2
C3W02D036-44D2D0	36	44	7-1/2	26-5/8	29-1/8	19	19-3/4	23-3/8	1140	3
C3W02D054-44D2D0	54	44	7-1/2	33-1/8	35-5/8	25-1/2	26-1/4	23-3/8	1249	4
C3W02D082-44D2D0	82	44	7-1/2	43-1/8	45-5/8	35-1/2	36-1/4	23-3/8	1420	5
C3W02D118-44D2D0	118	44	7-1/2	55-5/8	58-1/8	48	48-3/4	25-3/8	1632	6

All dimensions shown in inches unless otherwise specified.
Controls are shipped loose, mounting and final wiring by others.

MOUNTING DATA		
Lift (Ft)	Load in Pounds Per Side	
	W1	W2
20	2495	2551
36	2403	2737
54	2440	2809
82	2508	2912
118	2604	3028



ACCO Acco Material Handling Solutions 800-967-7333 www.accomhs.com

WARNING

Equipment described herein is not designed for, and should not be used for, lifting, supporting, or transporting humans. Modifications to upgrade, rerate, or otherwise alter the hoist or crane equipment shall be authorized only by the original manufacturer or qualified professional engineer. Failure to comply with any one of the limitations noted herein may result in serious bodily injury.
© 2012 ACCO Material Handling Solutions

WRIGHT®
Work-Rated®

Deck Mounted
Series 32

3 TON

2 Part Double Reeved
3/8 Diameter Rope

THE NEW CENTURY SERIES®

Electric Wire Rope Hoists

Issued 06-01-12

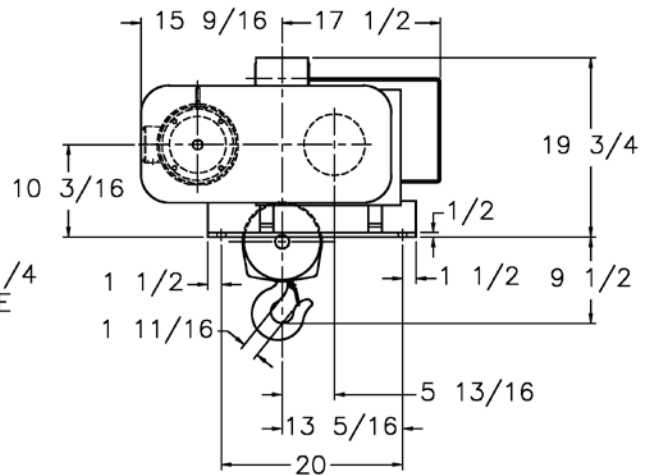
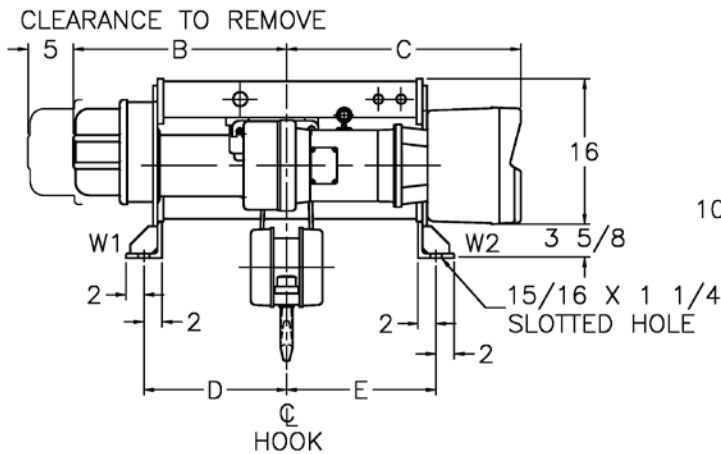
For Pricing See Page 11d

MODEL NUMBER	Lift (Ft)	Lift Speed (FPM)	HP	B	C	D	E	Weight	Drum
C2W03D020-15D2D0	20	15	3	23-3/8	25-7/8	15-3/4	16-1/2	748	4
C2W03D036-15D2D0	36	15	3	30-7/8	33-3/8	23-1/4	24	839	6
C2W03D060-15D2D0	60	15	3	42-1/2	44-1/2	34-3/8	35-1/8	993	7
C2W03D085-15D2D0	85	15	3	53-3/4	56-1/4	46-1/8	46-7/8	1142	8
C2W03D020-22D2D0	20	22	5	23-3/8	25-7/8	15-3/4	16-1/2	748	4
C2W03D036-22D2D0	36	22	5	30-7/8	33-3/8	23-1/4	24	839	6
C2W03D060-22D2D0	60	22	5	42-1/2	44-1/2	34-3/8	35-1/8	993	7
C2W03D085-22D2D0	85	22	5	53-3/4	56-1/4	46-1/8	46-7/8	1142	8

All dimensions shown in inches unless otherwise specified.
Controls are shipped loose, mounting and final wiring by others.

MOUNTING DATA

Lift (Ft)	Load In Pounds Per Side	
	W1	W2
20	3308	3440
36	3323	3516
60	3378	3615
85	3442	3700



ACCO Acco Material Handling Solutions 800-967-7333 www.accomhs.com

WARNING

Equipment described herein is not designed for, and should not be used for, lifting, supporting, or transporting humans. Modifications to upgrade, rerate, or otherwise alter the hoist or crane equipment shall be authorized only by the original manufacturer or qualified professional engineer. Failure to comply with any one of the limitations noted herein may result in serious bodily injury.
© 2012 ACCO Material Handling Solutions

WRIGHT®
Work-Rated®
THE NEW CENTURY SERIES®

Deck Mounted
Series 33

2 Part Double Reeved
 3/8 Diameter Rope

3 TON

Electric Wire Rope Hoists

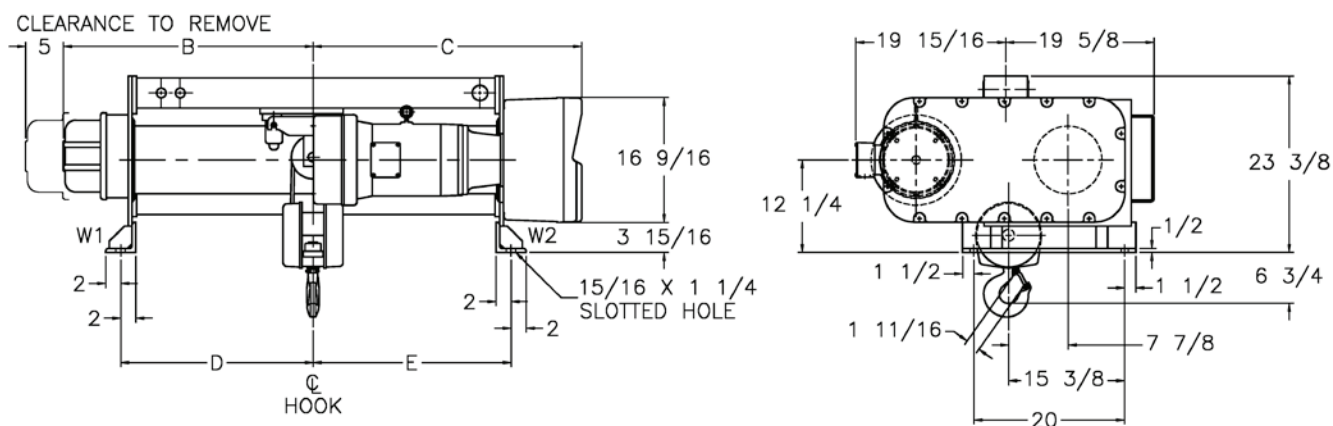
Issued 06-01-12

For Pricing See Page 11d

MODEL NUMBER	Lift (Ft)	Lift Speed (FPM)	HP	B	C	D	E	F	Weight	Drum
C3W03D020-30D2D0	20	30	7-1/2	21-1/8	23-5/8	13-1/2	14-1/4	23-3/8	1046	2
C3W03D036-30D2D0	36	30	7-1/2	26-5/8	29-1/8	19	19-3/4	23-3/8	1140	3
C3W03D054-30D2D0	54	30	7-1/2	33-1/8	35-5/8	25-1/2	26-1/4	23-3/8	1249	4
C3W03D082-30D2D0	82	30	7-1/2	43-1/8	45-5/8	35-1/2	36-1/4	23-3/8	1420	5
C3W03D118-30D2D0	118	30	7-1/2	55-5/8	58-1/8	48	48-3/4	25-3/8	1632	6
C3W03D020-44D2D0	20	44	10	21-1/8	23-5/8	13-1/2	14-1/4	23-3/8	1046	2
C3W03D036-44D2D0	36	44	10	26-5/8	29-1/8	19	19-3/4	23-3/8	1140	3
C3W03D054-44D2D0	54	44	10	33-1/8	35-5/8	25-1/2	26-1/4	23-3/8	1249	4
C3W03D082-44D2D0	82	44	10	43-1/8	45-5/8	35-1/2	36-1/4	23-3/8	1420	5
C3W03D118-44D2D0	118	44	10	55-5/8	58-1/8	48	48-3/4	25-3/8	1632	6

All dimensions shown in inches unless otherwise specified.
 Controls are shipped loose, mounting and final wiring by others.

MOUNTING DATA		
Lift (Ft)	Load in Pounds Per side	
	W1	W2
20	3522	3524
36	3423	3717
54	3454	3795
82	3519	3901
118	3612	4020



800-967-7333 www.accomhs.com



Equipment described herein is not designed for, and should not be used for, lifting, supporting, or transporting humans. Modifications to upgrade, rerate, or otherwise alter the hoist or crane equipment shall be authorized only by the original manufacturer or qualified professional engineer. Failure to comply with any one of the limitations noted herein may result in serious bodily injury.

© 2012 ACCO Material Handling Solutions

WRIGHT®
Work-Rated®

THE NEW CENTURY SERIES®

Electric Wire Rope Hoists

Issued 06-01-12

Deck Mounted
Series 32

2 Part Double Reeved
3/8 Diameter Rope

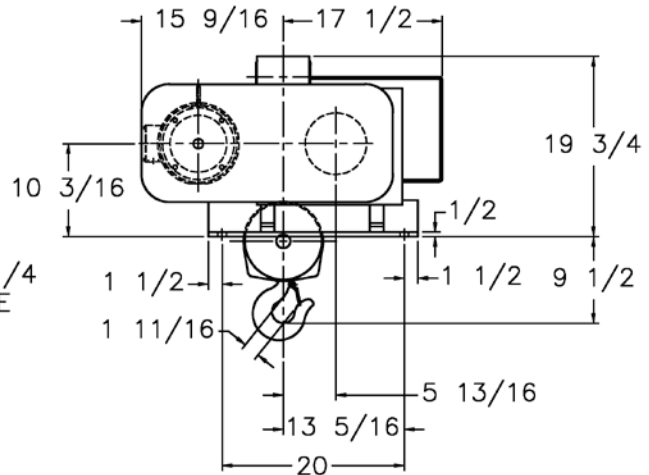
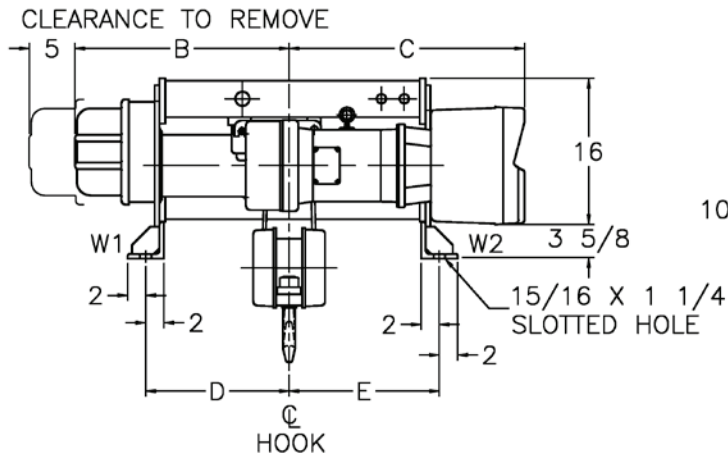
5 TON

For Pricing See Page 12d

MODEL NUMBER	Lift (Ft)	Lift Speed (FPM)	HP	B	C	D	E	Weight	Drum
C2W05D020-15D2D0	20	15	5	23-3/8	25-7/8	15-3/4	16-1/2	748	4
C2W05D036-15D2D0	36	15	5	30-7/8	33-3/8	23-1/4	24	839	6
C2W05D060-15D2D0	60	15	5	42-1/2	44-1/2	34-3/8	35-1/8	993	7
C2W05D085-15D2D0	85	15	5	53-3/4	56-1/4	46-1/8	46-7/8	1142	8

All dimensions shown in inches unless otherwise specified.
Controls are shipped loose, mounting and final wiring by others.

MOUNTING DATA		
Lift (Ft)	Load In Pounds Per Side	
	W1	W2
20	5354	5394
36	5355	5494
60	5399	5594
85	5459	5683



ACCO Acco Material Handling Solutions 800-967-7333 www.accomhs.com

WARNING

Equipment described herein is not designed for, and should not be used for, lifting, supporting, or transporting humans. Modifications to upgrade, rerate, or otherwise alter the hoist or crane equipment shall be authorized only by the original manufacturer or qualified professional engineer. Failure to comply with any one of the limitations noted herein may result in serious bodily injury.
© 2012 ACCO Material Handling Solutions

WRIGHT®**Work-Rated®****THE NEW CENTURY SERIES®**

Electric Wire Rope Hoists

Issued 06-01-12

**Deck Mounted
Series 33**2 Part Double Reeved
3/8 Diameter Rope**5 TON**

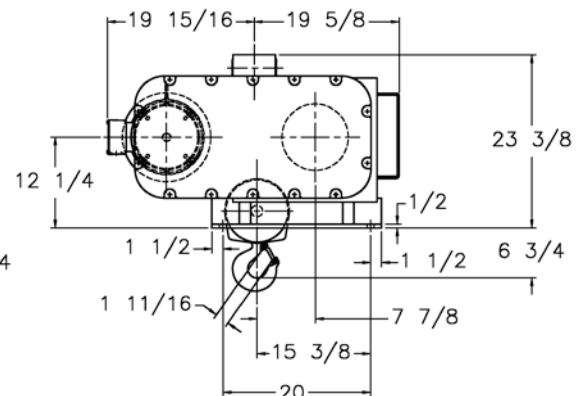
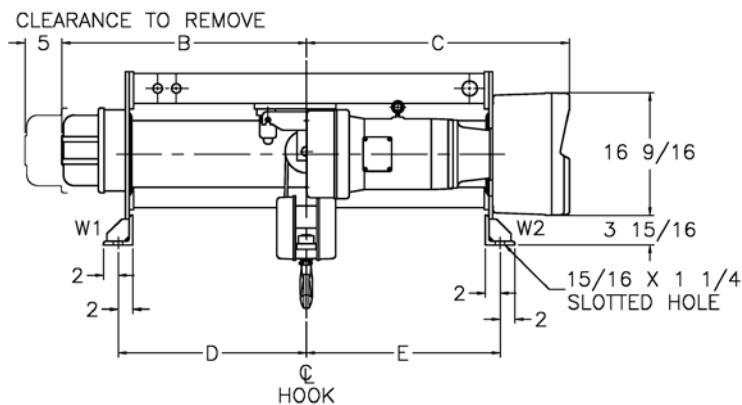
For Pricing See Page 12d

MODEL NUMBER	Lift (Ft)	Lift Speed (FPM)	HP	B	C	D	E	F	Weight	Drum
C3W05D020-22D2D0	20	22	7-1/2	21-1/8	23-5/8	13-1/2	14-1/4	23-3/8	1046	2
C3W05D036-22D2D0	36	22	7-1/2	26-5/8	29-1/8	19	19-3/4	23-3/8	1140	3
C3W05D054-22D2D0	54	22	7-1/2	33-1/8	35-5/8	25-1/2	26-1/4	23-3/8	1249	4
C3W05D082-22D2D0	82	22	7-1/2	43-1/8	45-5/8	35-1/2	36-1/4	23-3/8	1420	5
C3W05D118-22D2D0	118	22	7-1/2	55-5/8	58-1/8	48	48-3/4	25-3/8	1632	6
C3W05D020-30D2D0	20	30	10	21-1/8	23-5/8	13-1/2	14-1/4	23-3/8	1046	2
C3W05D036-30D2D0	36	30	10	26-5/8	29-1/8	19	19-3/4	23-3/8	1140	3
C3W05D054-30D2D0	54	30	10	33-1/8	35-5/8	25-1/2	26-1/4	23-3/8	1249	4
C3W05D082-30D2D0	82	30	10	43-1/8	45-5/8	35-1/2	36-1/4	23-3/8	1420	5
C3W05D118-30D2D0	118	30	10	55-5/8	58-1/8	48	48-3/4	25-3/8	1632	6

All dimensions shown in inches unless otherwise specified.
Controls are shipped loose, mounting and final wiring by others.

MOUNTING DATA

Lift (Ft)	Load in Pounds Per Side	
	W1	W2
20	5576	5470
36	5461	5679
54	5483	5766
82	5540	5880
118	5627	6005

**ACCO** Acco Material
Handling Solutions

800-967-7333 www.accomhs.com

WARNING

Equipment described herein is not designed for, and should not be used for, lifting, supporting, or transporting humans. Modifications to upgrade, rerate, or otherwise alter the hoist or crane equipment shall be authorized only by the original manufacturer or qualified professional engineer. Failure to comply with any one of the limitations noted herein may result in serious bodily injury.

© 2012 ACCO Material Handling Solutions

WRIGHT®
Work-Rated®

Deck Mounted
Series 34

5 TON

2 Part Double Reeved
1/2 Diameter Rope

THE NEW CENTURY SERIES®

Electric Wire Rope Hoists

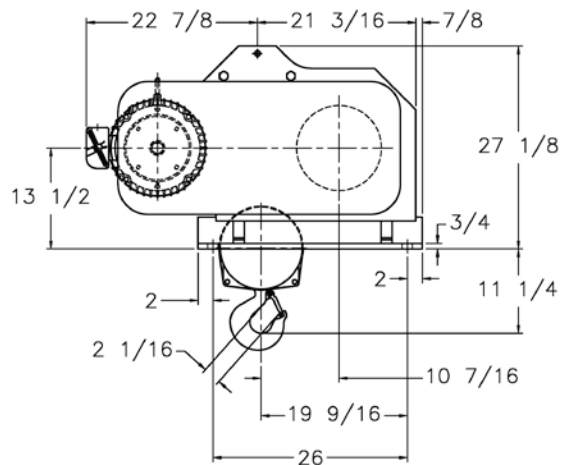
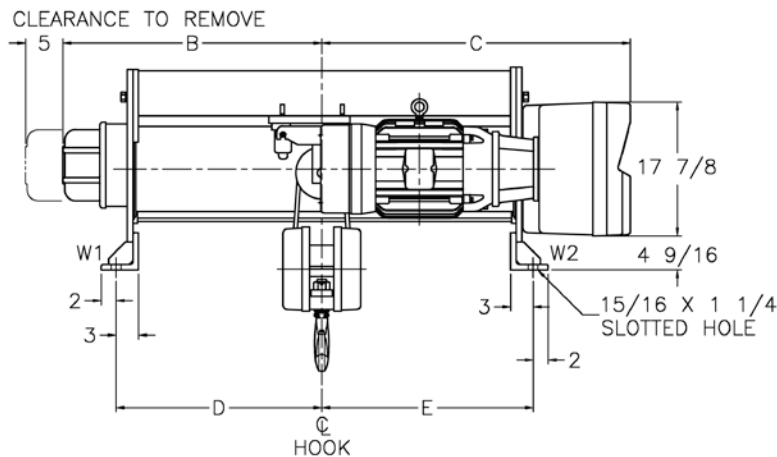
Issued 06-01-12

For Pricing See Page 12d

MODEL NUMBER	Lift (Ft)	Lift Speed (FPM)	HP	B	C	D	E	Weight	Drum
C4W05D020-44D2D0	20	44	15	24-1/8	30-3/4	17	17-3/4	2020	2
C4W05D031-44D2D0	31	44	15	28-5/8	35-1/4	21-1/2	22-1/4	2140	3
C4W05D047-44D2D0	47	44	15	34-5/8	41-1/4	27-1/2	28-1/4	2300	4
C4W05D076-44D2D0	76	44	15	45-5/8	52-1/4	38-1/2	39-1/4	2590	5
C4W05D115-44D2D0	115	44	15	60-5/8	67-1/4	53-1/2	54-1/4	2980	6

All dimensions shown in inches unless otherwise specified.
Controls are shipped loose, mounting and final wiring by others.

MOUNTING DATA		
Lift (Ft)	Load In Pounds Per Side	
	W1	W2
20	5676	6344
31	5702	6438
47	5760	6540
76	5873	6717
115	6052	6928



ACCO Acco Material Handling Solutions 800-967-7333 www.accomhs.com

WARNING

Equipment described herein is not designed for, and should not be used for, lifting, supporting, or transporting humans. Modifications to upgrade, rerate, or otherwise alter the hoist or crane equipment shall be authorized only by the original manufacturer or qualified professional engineer. Failure to comply with any one of the limitations noted herein may result in serious bodily injury.
© 2012 ACCO Material Handling Solutions

WRIGHT®
Work-Rated®
THE NEW CENTURY SERIES®

Deck Mounted
Series 33

4 Part Double Reeved
 3/8 Diameter Rope

7 1/2 TON

Electric Wire Rope Hoists

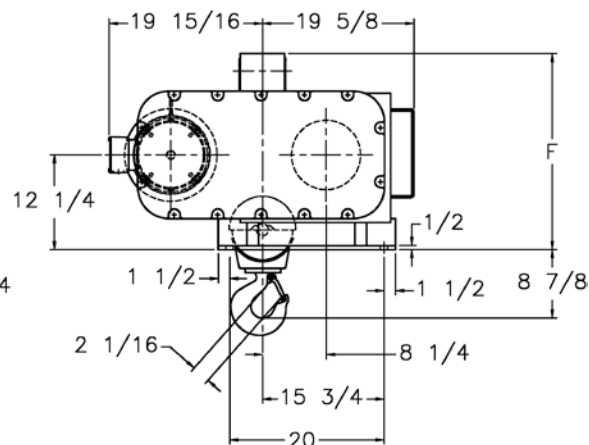
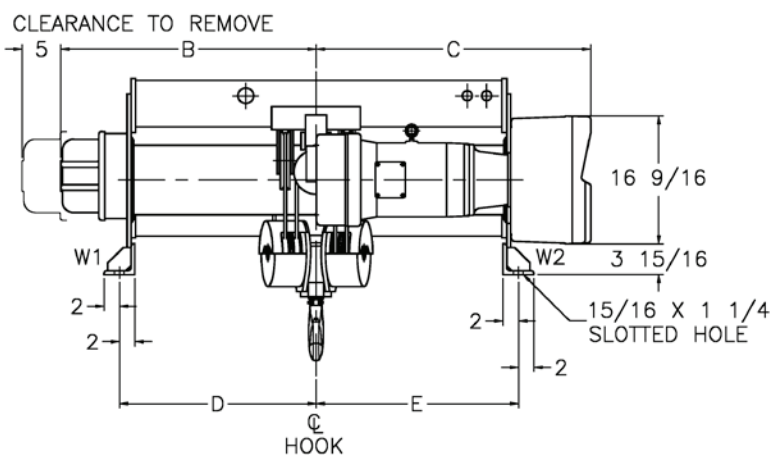
Issued 06-01-12

For Pricing See Page 13d

MODEL NUMBER	Lift (Ft)	Lift Speed (FPM)	HP	B	C	D	E	F	Weight	Drum
C3W07D022-15D4D0	22	15	7-1/2	33-1/8	35-5/8	25-1/2	26-1/4	25-3/8	1345	4
C3W07D036-15D4D0	36	15	7-1/2	43-1/8	45-5/8	35-1/2	36-1/4	27-5/8	1525	5
C3W07D054-15D4D0	54	15	7-1/2	55-5/8	58-1/8	48	48-3/4	27-5/8	1748	6
C3W07D022-22D4D0	22	22	10	33-1/8	35-5/8	25-1/2	26-1/4	25-3/8	1345	4
C3W07D036-22D4D0	36	22	10	43-1/8	45-5/8	35-1/2	36-1/4	27-5/8	1525	5
C3W07D054-22D4D0	54	22	10	55-5/8	58-1/8	48	48-3/4	27-5/8	1748	6

All dimensions shown in inches unless otherwise specified.
 Controls are shipped loose, mounting and final wiring by others.

MOUNTING DATA		
Lift (Ft)	Load in Pounds Per Side	
	W1	W2
22	8067	8278
36	8118	8407
54	8202	8546



800-967-7333 www.accomhs.com



Equipment described herein is not designed for, and should not be used for, lifting, supporting, or transporting humans. Modifications to upgrade, rerate, or otherwise alter the hoist or crane equipment shall be authorized only by the original manufacturer or qualified professional engineer. Failure to comply with any one of the limitations noted herein may result in serious bodily injury.

© 2012 ACCO Material Handling Solutions

WRIGHT®
Work-Rated®

Deck Mounted
Series 34

7 1/2 TON

2 Part Double Reeved
1/2 Diameter Rope

THE NEW CENTURY SERIES®

Electric Wire Rope Hoists

Issued 06-01-12

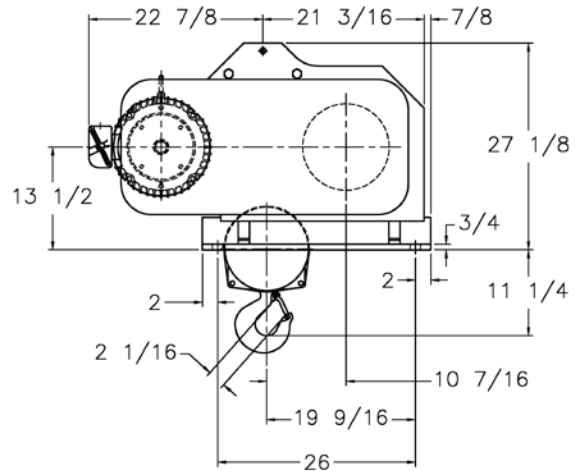
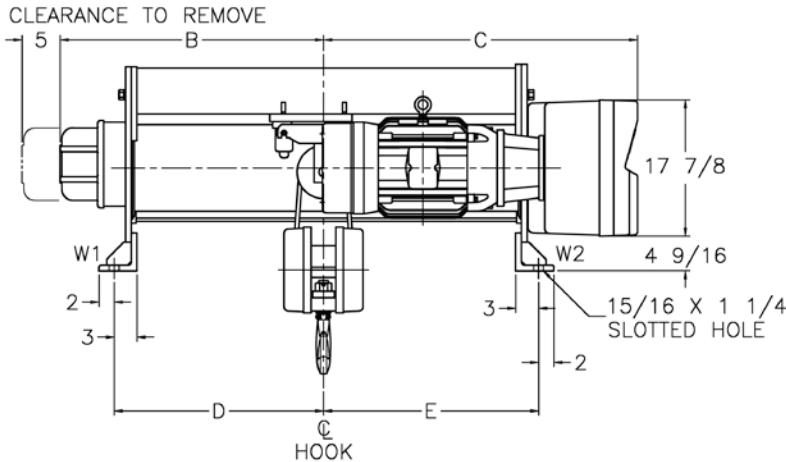
For Pricing See Page 13d

MODEL NUMBER	Lift (Ft)	Lift Speed (FPM)	HP	B	C	D	E	Weight	Drum
C4W07D020-30D2D0	20	30	15	24-1/8	30-3/4	17	17-3/4	2020	2
C4W07D031-30D2D0	31	30	15	28-5/8	35-1/4	21-1/2	22-1/4	2140	3
C4W07D047-30D2D0	47	30	15	34-5/8	41-1/4	27-1/2	28-1/4	2300	4
C4W07D076-30D2D0	76	30	15	45-5/8	52-1/4	38-1/2	39-1/4	2590	5
C4W07D115-30D2D0	115	30	15	60-5/8	67-1/4	53-1/2	54-1/4	2980	6

All dimensions shown in inches unless otherwise specified.
Controls are shipped loose, mounting and final wiring by others.

MOUNTING DATA

Lift (Ft)	Load In Pounds Per Side	
	W1	W2
20	8230	8790
31	8245	8895
47	8294	9006
76	8397	9193
115	8569	9411



ACCO Acco Material Handling Solutions 800-967-7333 www.accomhs.com

WARNING

Equipment described herein is not designed for, and should not be used for, lifting, supporting, or transporting humans. Modifications to upgrade, rerate, or otherwise alter the hoist or crane equipment shall be authorized only by the original manufacturer or qualified professional engineer. Failure to comply with any one of the limitations noted herein may result in serious bodily injury.
© 2012 ACCO Material Handling Solutions

WRIGHT®**Work-Rated®****THE NEW CENTURY SERIES®**

Electric Wire Rope Hoists

Issued 06-01-12

**Deck Mounted
Series 35**2 Part Double Reeved
1/2 Diameter Rope**7¹/₂ TON**

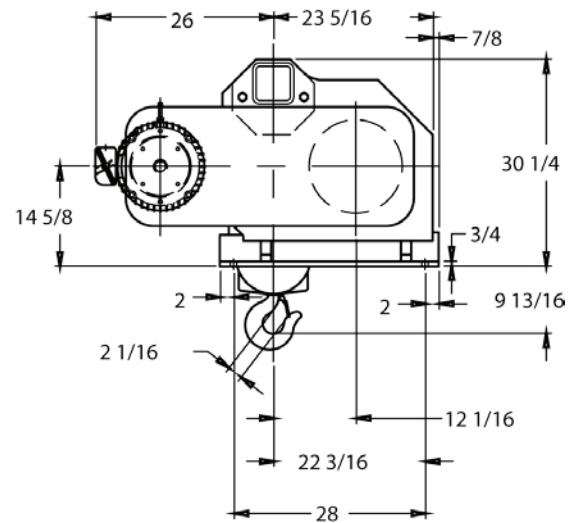
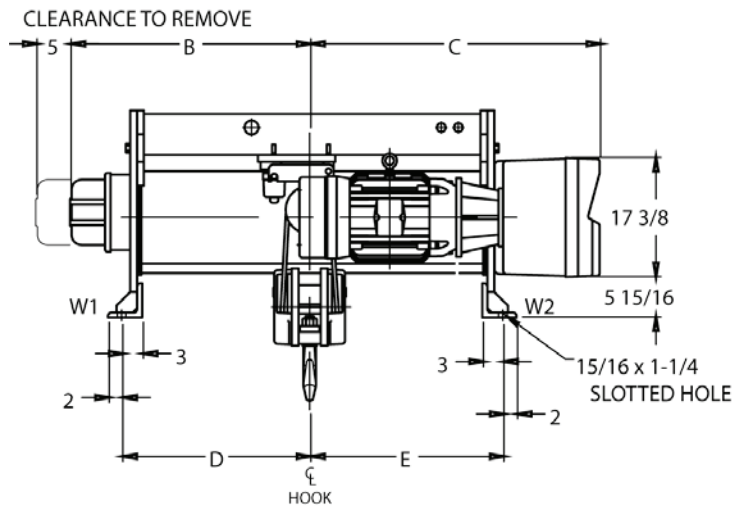
For Pricing See Page 13d

MODEL NUMBER	Lift (Ft)	Lift Speed (FPM)	HP	B	C	D	E	Weight	Drum
C5W07D024-44D2D0	24	44	20	24-1/2	32	17	17-3/4	2578	2
C5W07D038-44D2D0	38	44	20	29	36-7/16	21-1/2	22-1/4	2882	3
C5W07D057-44D2D0	57	44	20	35	42-7/16	27-1/2	28-1/4	3156	4
C5W07D085-44D2D0	85	44	20	44	51-7/16	36-1/2	37-1/4	3592	5
C5W07D124-44D2D0	124	44	20	56-1/2	64	49	49-3/4	4248	6

All dimensions shown in inches unless otherwise specified.
Controls are shipped loose, mounting and final wiring by others.

MOUNTING DATA

Lift (Ft)	Load in Pounds Per Side	
	W1	W2
24	8486	9092
38	8646	9236
57	8783	9373
85	9030	9562
124	9423	9825

**ACCO** Acco Material
Handling Solutions

800-967-7333 www.accomhs.com

WARNING

Equipment described herein is not designed for, and should not be used for, lifting, supporting, or transporting humans. Modifications to upgrade, rerate, or otherwise alter the hoist or crane equipment shall be authorized only by the original manufacturer or qualified professional engineer. Failure to comply with any one of the limitations noted herein may result in serious bodily injury.

© 2012 ACCO Material Handling Solutions

WRIGHT®
Work-Rated®

Deck Mounted
Series 33

10 TON

4 Part Double Reeved
3/8 Diameter Rope

THE NEW CENTURY SERIES®

Electric Wire Rope Hoists

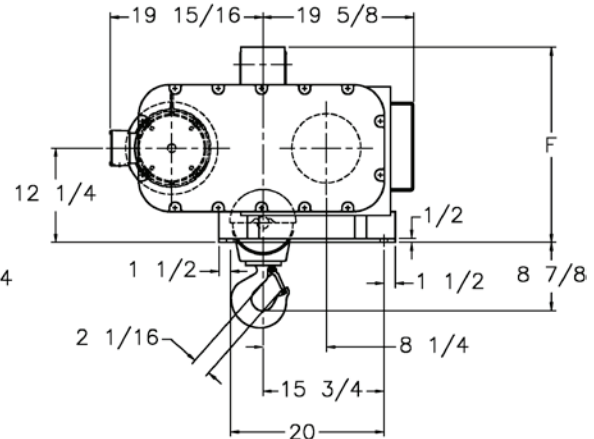
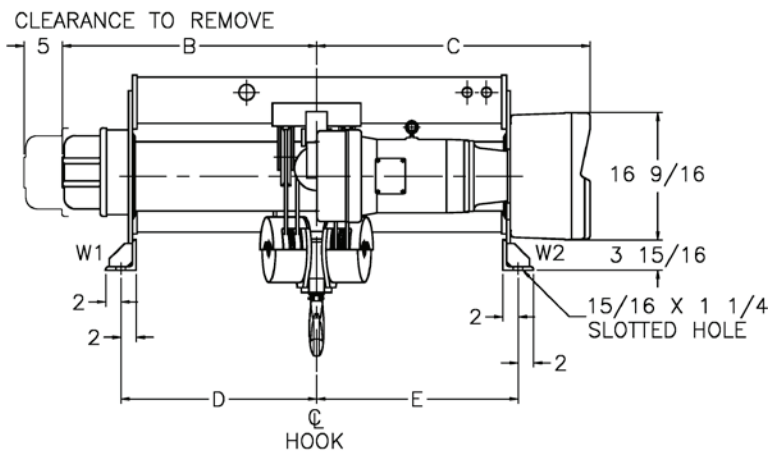
Issued 06-01-12

For Pricing See Page 14d

MODEL NUMBER	Lift (Ft)	Lift Speed (FPM)	HP	B	C	D	E	F	Weight	Drum
C3W10D022-15D4D0	22	15	10	33-1/8	35-5/8	25-1/2	26-1/4	25-3/8	1345	4
C3W10D036-15D4D0	36	15	10	43-1/8	45-5/8	35-1/2	36-1/4	27-5/8	1525	5
C3W10D054-15D4D0	54	15	10	55-5/8	58-1/8	48	48-3/4	27-5/8	1748	6

All dimensions shown in inches unless otherwise specified.
Controls are shipped loose, mounting and final wiring by others.

MOUNTING DATA		
Lift (Ft)	Load In Pounds Per Side	
	W1	W2
22	10603	10742
36	10644	10881
54	10721	11027



ACCO Acco Material Handling Solutions 800-967-7333 www.accomhs.com

WARNING

Equipment described herein is not designed for, and should not be used for, lifting, supporting, or transporting humans. Modifications to upgrade, rerate, or otherwise alter the hoist or crane equipment shall be authorized only by the original manufacturer or qualified professional engineer. Failure to comply with any one of the limitations noted herein may result in serious bodily injury.
© 2012 ACCO Material Handling Solutions

WRIGHT®

Work-Rated®

THE NEW CENTURY SERIES®

Electric Wire Rope Hoists

Issued 06-01-12

Deck Mounted
Series 34

4 Part Double Reeved
1/2 Diameter Rope

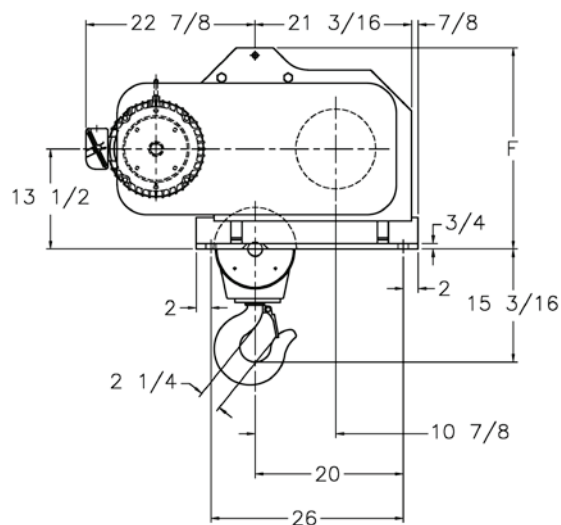
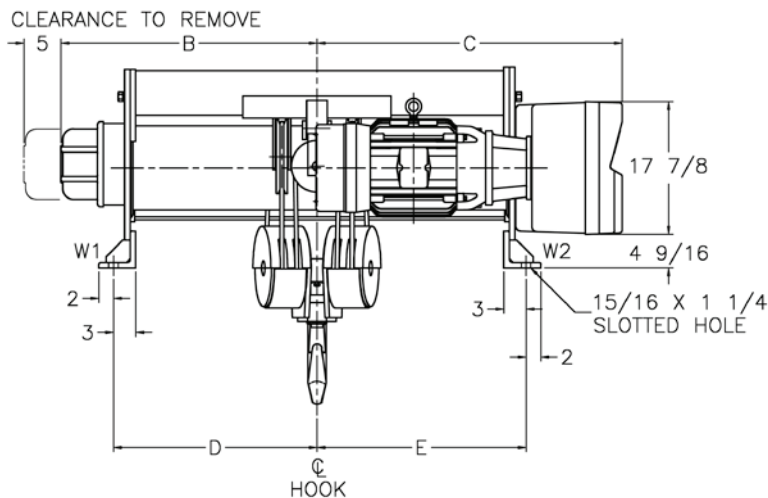
10 TON

For Pricing See Page 14d

MODEL NUMBER	Lift (Ft)	Lift Speed (FPM)	HP	B	C	D	E	F	Weight	Drum
C4W10D020-22D4D0	20	22	15	34-5/8	41-1/4	27-1/2	28-1/4	27-1/8	2560	4
C4W10D035-22D4D0	35	22	15	45-5/8	52-1/4	38-1/2	39-1/4	27-1/8	2880	5
C4W10D054-22D4D0	54	22	15	60-5/8	67-1/4	53-1/2	54-1/4	29-1/8	3380	6

All dimensions shown in inches unless otherwise specified.
Controls are shipped loose, mounting and final wiring by others.

MOUNTING DATA		
Lift (Ft)	Load In Pounds Per Side	
	W1	W2
20	10957	11603
35	11070	11810
54	11288	12092



800-967-7333 www.accomhs.com



Equipment described herein is not designed for, and should not be used for, lifting, supporting, or transporting humans. Modifications to upgrade, rerate, or otherwise alter the hoist or crane equipment shall be authorized only by the original manufacturer or qualified professional engineer. Failure to comply with any one of the limitations noted herein may result in serious bodily injury.
© 2012 ACCO Material Handling Solutions

WRIGHT®
Work-Rated®

Deck Mounted
Series 35

10 TON

THE NEW CENTURY SERIES®

2 Part Double Reeved
1/2 Diameter Rope

Electric Wire Rope Hoists

Issued 06-01-12

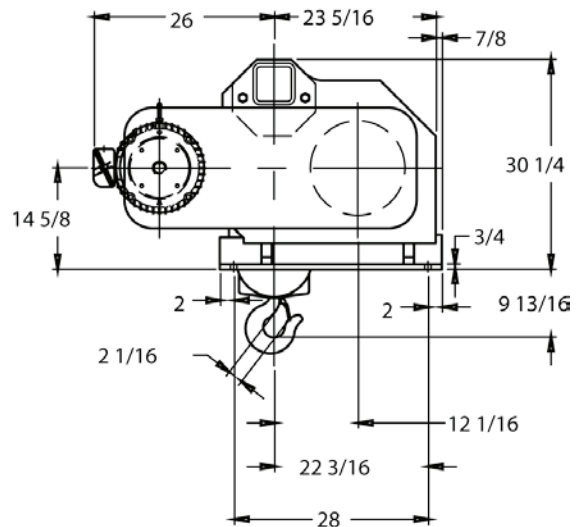
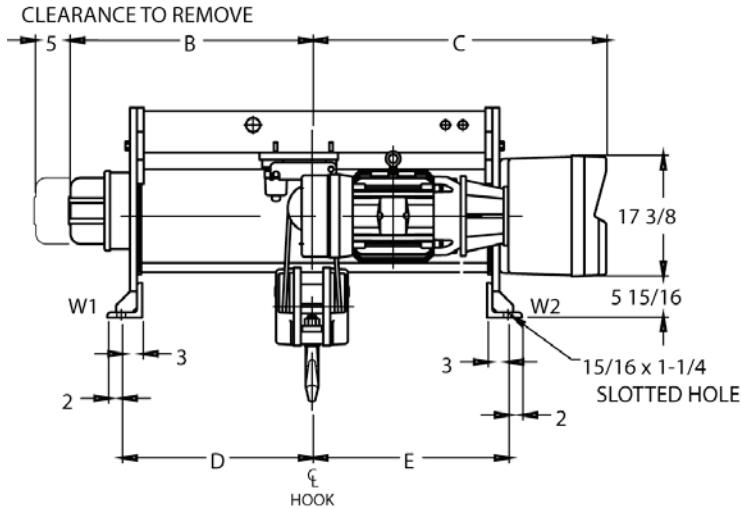
For Pricing See Page 14d

MODEL NUMBER	Lift (Ft)	Lift Speed (FPM)	HP	B	C	D	E	Weight	Drum
C5W10D024-30D2D0	24	30	20	24-1/2	32	17	17-3/4	2578	2
C5W10D038-30D2D0	38	30	20	29	36-7/16	21-1/2	22-1/4	2882	3
C5W10D057-30D2D0	57	30	20	35	42-7/16	27-1/2	28-1/4	3156	4
C5W10D085-30D2D0	85	30	20	44	51-7/16	36-1/2	37-1/4	3592	5
C5W10D124-30D2D0	124	30	20	56-1/2	64	49	49-3/4	4248	6

All dimensions shown in inches unless otherwise specified.
Controls are shipped loose, mounting and final wiring by others.

MOUNTING DATA

Lift (Ft)	Load In Pounds Per Side	
	W1	W2
24	11040	11538
38	11189	11693
57	11317	11839
85	11555	12037
124	11942	12306



ACCO Acco Material Handling Solutions 800-967-7333 www.accomhs.com

WARNING

Equipment described herein is not designed for, and should not be used for, lifting, supporting, or transporting humans. Modifications to upgrade, rerate, or otherwise alter the hoist or crane equipment shall be authorized only by the original manufacturer or qualified professional engineer. Failure to comply with any one of the limitations noted herein may result in serious bodily injury.
© 2012 ACCO Material Handling Solutions

WRIGHT®
Work-Rated®
THE NEW CENTURY SERIES®

Deck Mounted
Series 34
 4 Part Double Reeved
 1/2 Diameter Rope

15 TON

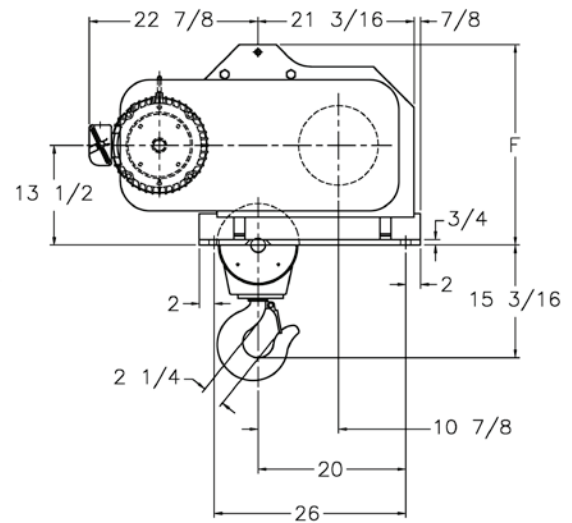
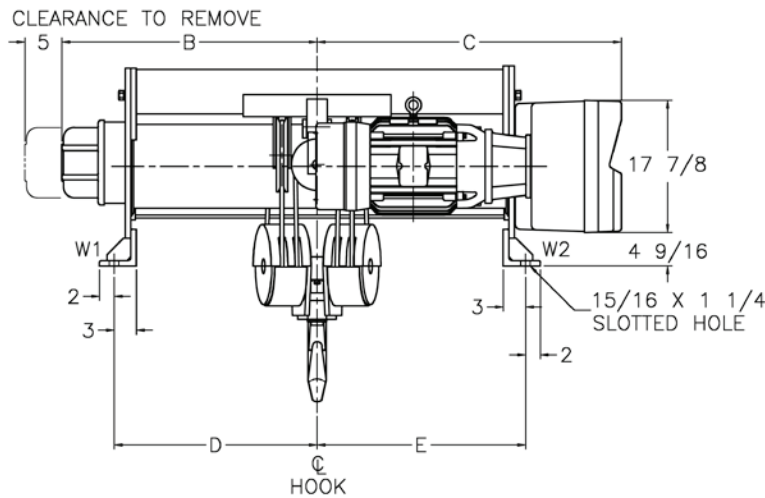
Electric Wire Rope Hoists
 Issued 06-01-12

For Pricing See Page 15d

MODEL NUMBER	Lift (Ft)	Lift Speed (FPM)	HP	B	C	D	E	F	Weight	Drum
C4W15D020-15D4D0	20	15	15	34-5/8	41-1/4	27-1/2	28-1/4	27-1/8	2550	4
C4W15D035-15D4D0	35	15	15	45-5/8	52-1/4	38-1/2	39-1/4	27-1/8	2870	5
C4W15D054-15D4D0	54	15	15	60-5/8	67-1/4	53-1/2	54-1/4	29-1/8	3370	6

All dimensions shown in inches unless otherwise specified.
 Controls are shipped loose, mounting and final wiring by others.

MOUNTING DATA		
Lift (Ft)	Load In Pounds Per Side	
	W1	W2
20	15997	16553
35	16120	16800
54	16352	17118



ACCO Acco Material Handling Solutions 800-967-7333 www.accomhs.com

WARNING

Equipment described herein is not designed for, and should not be used for, lifting, supporting, or transporting humans. Modifications to upgrade, rerate, or otherwise alter the hoist or crane equipment shall be authorized only by the original manufacturer or qualified professional engineer. Failure to comply with any one of the limitations noted herein may result in serious bodily injury.
 © 2012 ACCO Material Handling Solutions

WRIGHT®
Work-Rated®

Deck Mounted
Series 35

15 TON

4 Part Double Reeved
1/2 Diameter Rope

THE NEW CENTURY SERIES®

Electric Wire Rope Hoists

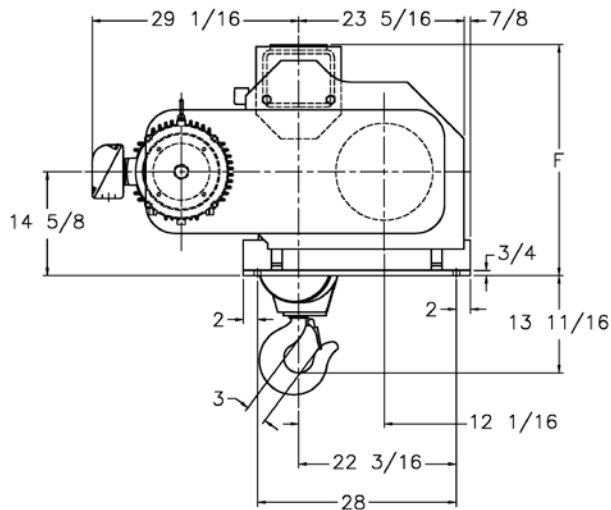
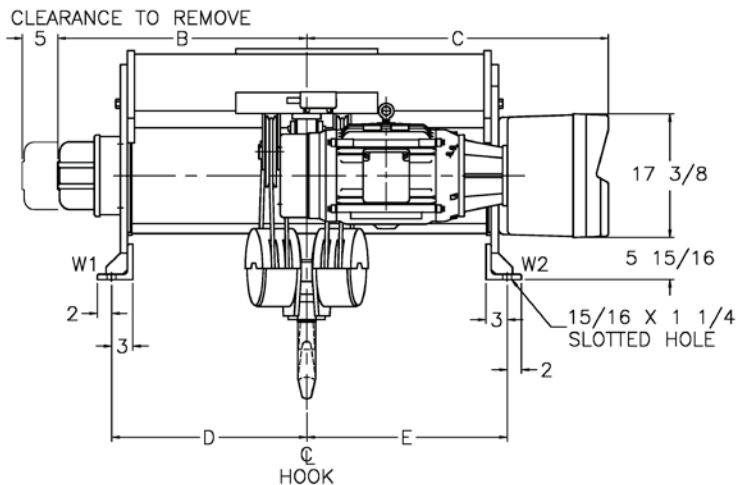
Issued 06-01-12

For Pricing See Page 15d

MODEL NUMBER	Lift (Ft)	Lift Speed (FPM)	HP	B	C	D	E	F	Weight	Drum
C5W15D024-22D4D0	24	22	20	34-7/8	42-7/16	27-1/2	28-1/4	30-1/4	3155	4
C5W15D039-22D4D0	39	22	20	43-7/8	51-7/16	36-1/2	37-1/4	30-1/2	3530	5
C5W15D058-22D4D0	58	22	20	56-3/8	64	49	49-3/4	32-1/2	4060	6

All dimensions shown in inches unless otherwise specified.
Controls are shipped loose, mounting and final wiring by others.

MOUNTING DATA		
Lift (Ft)	Load In Pounds Per Side	
	W1	W2
24	16242	16914
39	16337	17137
58	16547	17414



ACCO Acco Material Handling Solutions 800-967-7333 www.accomhs.com

WARNING

Equipment described herein is not designed for, and should not be used for, lifting, supporting, or transporting humans. Modifications to upgrade, rerate, or otherwise alter the hoist or crane equipment shall be authorized only by the original manufacturer or qualified professional engineer. Failure to comply with any one of the limitations noted herein may result in serious bodily injury.
© 2012 ACCO Material Handling Solutions

WRIGHT®
Work-Rated®
THE NEW CENTURY SERIES®

Deck Mounted
Series 35

4 Part Double Reeved
 1/2 Diameter Rope

20 TON

Electric Wire Rope Hoists

Issued 06-01-12

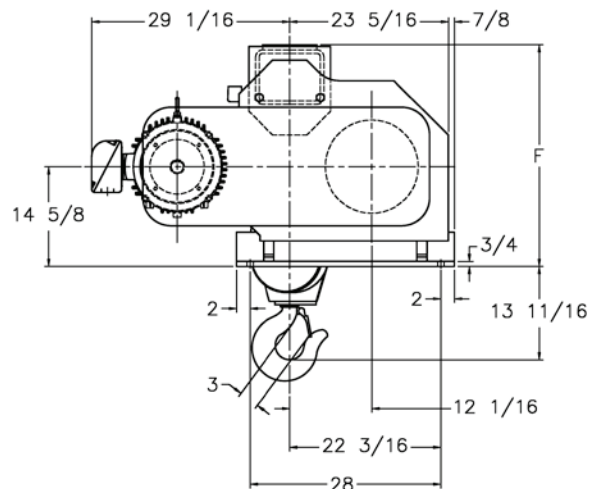
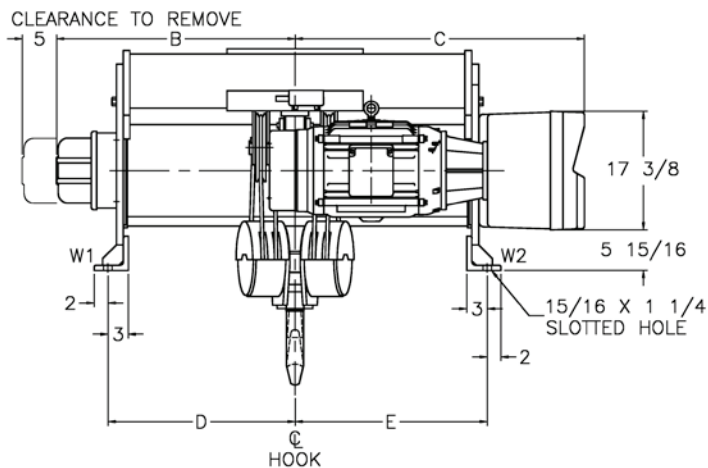
For Pricing See Page 16d

MODEL NUMBER	Lift (Ft)	Lift Speed (FPM)	HP	B	C	D	E	F	Weight	Drum
C5W20D024-15D4D0	24	15	20	34-7/8	42-7/16	27-1/2	28-1/4	30-1/4	3155	4
C5W20D039-15D4D0	39	15	20	43-7/8	51-7/16	36-1/2	37-1/4	30-1/2	3530	5
C5W20D058-15D4D0	58	15	20	56-3/8	64	49	49-3/4	32-1/2	4060	6

All dimensions shown in inches unless otherwise specified.
 Controls are shipped loose, mounting and final wiring by others.

MOUNTING DATA

Lift (Ft)	Load In Pounds Per Side	
	W1	W2
24	21312	21844
39	21387	22087
58	21587	22374



ACCO Acco Material Handling Solutions 800-967-7333 www.accomhs.com

WARNING

Equipment described herein is not designed for, and should not be used for, lifting, supporting, or transporting humans. Modifications to upgrade, rerate, or otherwise alter the hoist or crane equipment shall be authorized only by the original manufacturer or qualified professional engineer. Failure to comply with any one of the limitations noted herein may result in serious bodily injury.

© 2012 ACCO Material Handling Solutions

WRIGHT®
Work-Rated®

THE NEW CENTURY SERIES®

Electric Wire Rope Hoists

Issued 06-01-12

Deck Mounted
Series 35

4 Part Double Reeved
9/16 Diameter Rope

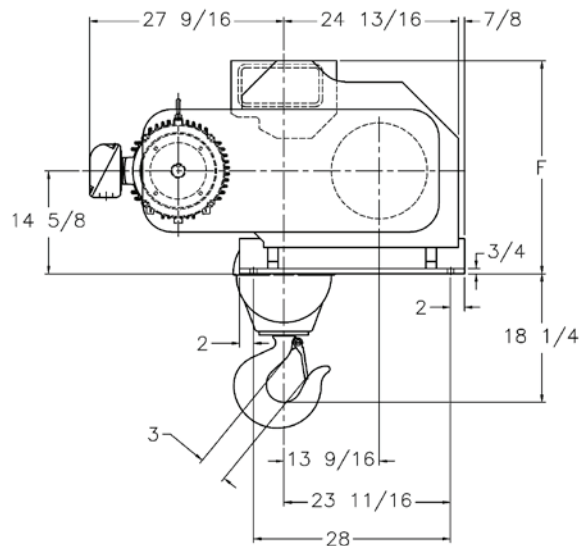
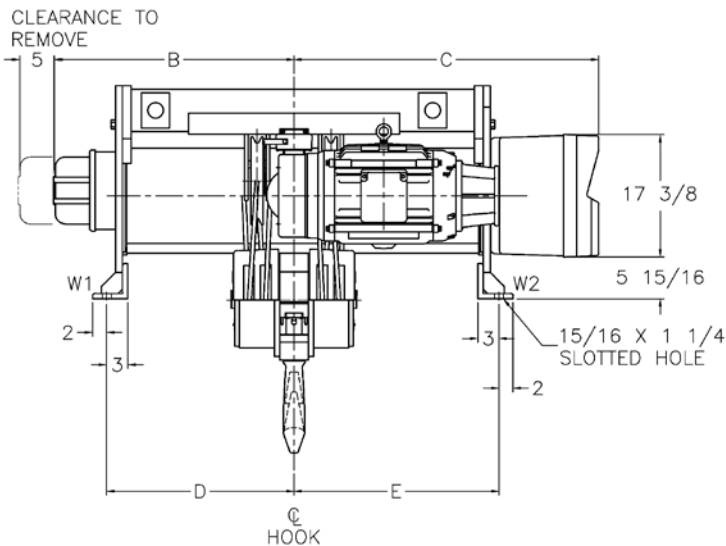
25 TON

For Pricing See Page 17d

MODEL NUMBER	Lift (Ft)	Lift Speed (FPM)	HP	B	C	D	E	F	Weight	Drum
C5W25D020-12D4D0	20	12	20	34-1/8	43-9/16	26-5/8	29-1/8	30-1/4	3809	4
C5W25D032-12D4D0	32	12	20	43-1/8	52-9/16	35-5/8	38-1/8	30-1/4	4165	5
C5W25D048-12D4D0	48	12	20	55-11/16	65-1/16	48-1/8	50-5/8	30-1/4	4660	6

All dimensions shown in inches unless otherwise specified.
Controls are shipped loose, mounting and final wiring by others.

MOUNTING DATA		
Lift (Ft)	Load In Pounds Per Side	
	W1	W2
20	27613	26196
32	27588	26577
48	27677	26983



Acco Acco Material Handling Solutions 800-967-7333 www.accomhs.com

WARNING

Equipment described herein is not designed for, and should not be used for, lifting, supporting, or transporting humans. Modifications to upgrade, rerate, or otherwise alter the hoist or crane equipment shall be authorized only by the original manufacturer or qualified professional engineer. Failure to comply with any one of the limitations noted herein may result in serious bodily injury.
© 2012 ACCO Material Handling Solutions

WRIGHT®
Work-Rated®

THE NEW CENTURY SERIES®

Electric Wire Rope Hoists

Issued 06-01-12

Base Mounted Winch **1 TO 6¼ TON** Features & Benefits

Wright family of Work-Rated winches is a complete line of electric wire rope winches. It is an advanced design incorporating the most recent materials and concept. Current duty cycle and safety requirements of users are built into this line, not added on.

CONSTRUCTION FEATURES:

CONTROLS: Choose from single, 2-speed, or inverter. Controls are magnetic reversing type, mechanically and electrically interlocked with 115 volt control circuit. All wiring conforms to applicable NEC requirements. Motor thermostats are standard providing motor running overcurrent protection. NEMA Type 3R enclosures are standard. Cover is lightweight, tough ABS material, deep-drawn for maximum control accessibility. Controls are shipped loose for customer mounting.

MOTOR: Standard NEMA C face mounting, TENV, Class F insulation, 30-minute duty motor is provided for standard commercial power supplies. The motor has a standard NEMA shaft extension.

GEAR TRAIN: Quiet, helical and spur gearing. All gears are machine cut, case-hardened alloy steel with shock-resistant ductile cores. Gearing is designed to AGMA standards for maximum life, and operates in an oil bath. Rugged aluminum alloy housing provides rapid heat dissipation.

BEARINGS - SPIDER RETAINERS: Precision heavy-duty ball bearings support all shafts. All bearings are either splash lubricated, or lifetime pre-lubricated and sealed. Bearings at outboard end of shafts are held in place by heavy-duty Spider Retainers. This allows removal of Gear Housing Cover for inspection (after draining oil). All internal parts remain in place and can be operated for inspection.

DRUM: The large diameter steel drum has machined grooves and large flanges. At least two full turns of rope remain on the drum at rated drum winding capacity. Load capacity of each winch is rated at total line pull of the lead wire rope off the winch's drum. A single line winch has one lead of wire rope off the drum rated at full capacity. A double line winch has two leads of wire rope off the drum with a capacity of one half hoist rated capacity. Each line will have a capacity equal to one half the rated capacity of the winch.

MECHANICAL LOAD BRAKE: Automatic Weston-type multiple disc brake can hold a full capacity load independent of motor brake. This brake assures that load does not accelerate while being lowered. No wear compensation adjustments are required.

MOTOR BRAKE: Proven in millions of hours of in-service operation, the original Wright rectified D-C magnet-actuated disc brake delivers rapid stops with virtually no hook drift. Rated a minimum of 150% of full load motor torque. Exclusive brake-sensing microswitch prevents motor from operating against engaged brake and when brake requires adjustment.

OVERLOAD CUTOFF: Exclusive patented Wright unit is not available on winches.

HOW TO SPECIFY A Work-Rated WINCH

1. DETERMINE THE CAPACITY, NUMBER OF LINES, LIFTING SPEED, AND WIRE ROPE LEAD OFF POSITION FOR YOUR APPLICATION. Work-Rated winches may be reeved in various ways to gain desired mechanical advantages. The chart in paragraph 4 illustrates characteristics of each type of reeving.

Reeving may change capacity, lifting distances, lifting speeds, and cable size. Reeving terminology is either "single" or "double" which refers to the number of wire ropes coming from the drum.

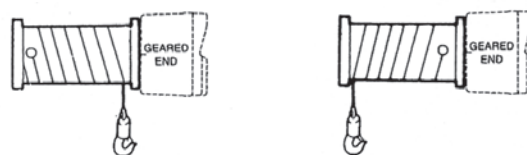
Another word is "part" which refers to the mechanical advantage gained by multiple reeving. For example, with one part single reeving (1 PS), the load is supported by one part of a single rope. By reeving single rope into two parts (2 part single) the load is distributed over the two parts and the mechanical advantage doubles the capacity of one part reeving and reduces by one half the lifting or lowering speed of the hook.

2. SPECIFY PROPER MODEL NUMBER in regards to winch capacity, drum winding capacity, lifting speed and hoist control found in following pages. Winches are grouped by load capacity. All winches are one part single reeved (1 PS) in either single or double line models.

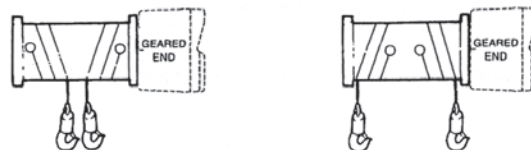
3. SPECIFY EITHER SINGLE LINE OR DOUBLE LINE MODEL.

4. SPECIFY DRUM REEVING ARRANGEMENTS.

SINGLE LINE REEVING ARRANGEMENTS

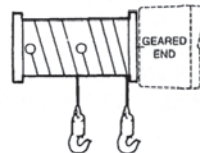


DOUBLE LINE REEVING ARRANGEMENTS

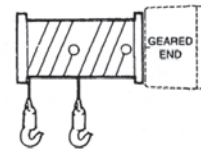


Standard Arrangement

CC Arrangement



DD Arrangement



EE Arrangement

ACCO Acco Material
Handling Solutions

800-967-7333 www.accomhs.com

WARNING

Equipment described herein is not designed for, and should not be used for, lifting, supporting, or transporting humans. Modifications to upgrade, rerate, or otherwise alter the hoist or crane equipment shall be authorized only by the original manufacturer or qualified professional engineer. Failure to comply with any one of the limitations noted herein may result in serious bodily injury.

© 2012 ACCO Material Handling Solutions

WRIGHT®
Work-Rated®

THE NEW CENTURY SERIES®

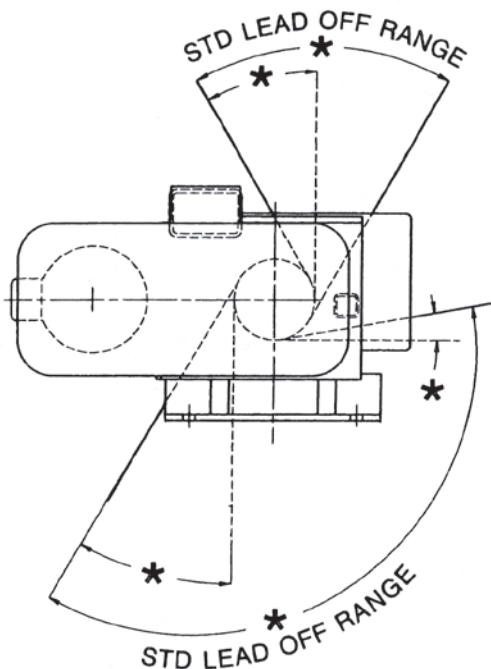
Electric Wire Rope Hoists

Issued 06-01-12

Base Mounted Winch 1 TO 6¼ TON Features & Benefits

5. DETERMINE IF STANDARD LINE LEADOFF ANGLE IS APPROPRIATE. *Work-Rated* winches are designed with a standard range or ranges of leadoff angles. See the illustration below for location of the standard range.

If any of desired leadoff angle falls into non standard area, the factory must be consulted for fabrication and additional pricing factors. Specify the desired angle range viewed from the gearing end of winch. State angle in EXACT degree clockwise from zero vertical leadoff position as shown. If a range of degrees is required, state both limits in degrees.



* Angles vary with MODEL SERIES. See specific pages for standard angles.

6. SPECIFY THE WIRE ROPE. *Work-Rated* winches are not furnished with wire rope but are available with wire rope as optional equipment. Wire rope on all winches is 6 x 37 preformed. Certain applications may require non rotating cable, 18 x 7 construction. Prices for non rotating cable are available on application. Specify the wire rope by total length, diameter, and desired fittings.

7. SPECIFY CABLE FITTINGS. The drum end (live end) cable fitting is attached to wire rope when supplied from the factory. The cable fitting is designed for easy installation and is swaged on to provide maximum security. See Accessories Section for pricing.

The following "DEAD END" cable fittings are available on application:
• Eye Bolt • Turn Buckle • Threaded Rod • Swivel Hook

The "DEAD END" of wire rope may be specified "OPEN" (no fittings) or with any of the above fittings.

8. SPECIFY LOAD BLOCK AND IDLER SHEAVES. Information and data for these items are found in Accessories Section.

9. SPECIFY MOTOR VOLTAGE. *Wright* standard motors are available in 200/230/460/575-3-60 power with Class F insulation, and are totally enclosed non-ventilated.

10. CONTROL. Control is furnished as standard equipment. Additional motor and control accessories and modifications are found in Accessories Section. Control is shipped loose for customer mounting. If control mounting by ACCO is desired, contact factory for pricing. Contact factory for control dimensions and locations.

11. SPECIFY PUSH BUTTON STATION. Push button station, drop of cord and strain chain are available as optional equipment. Specify drop of push button, calculated from center line of a winch to center line of the push button. See Accessories Section.

12. SPECIFY LIMIT SWITCHES. *Work-Rated* winches are not furnished with a standard limit switch or an overload cutoff device. Geared limit switch is available as optional equipment. A separate gravity limit switch to be actuated by the bottom block or load hook assembly is recommended. Slack line limit switch is available on application.

13. ACCO RESERVES THE RIGHT TO MAKE CHANGES TO THIS CATALOG AS MAY BE DEEMED NECESSARY.

ACCO Acco Material Handling Solutions 800-967-7333 www.accomhs.com

WARNING

Equipment described herein is not designed for, and should not be used for, lifting, supporting, or transporting humans. Modifications to upgrade, rerate, or otherwise alter the hoist or crane equipment shall be authorized only by the original manufacturer or qualified professional engineer. Failure to comply with any one of the limitations noted herein may result in serious bodily injury.
© 2012 ACCO Material Handling Solutions

WRIGHT®
Work-Rated®
THE NEW CENTURY SERIES®

Base Mounted Winch
Series 32

1 TON

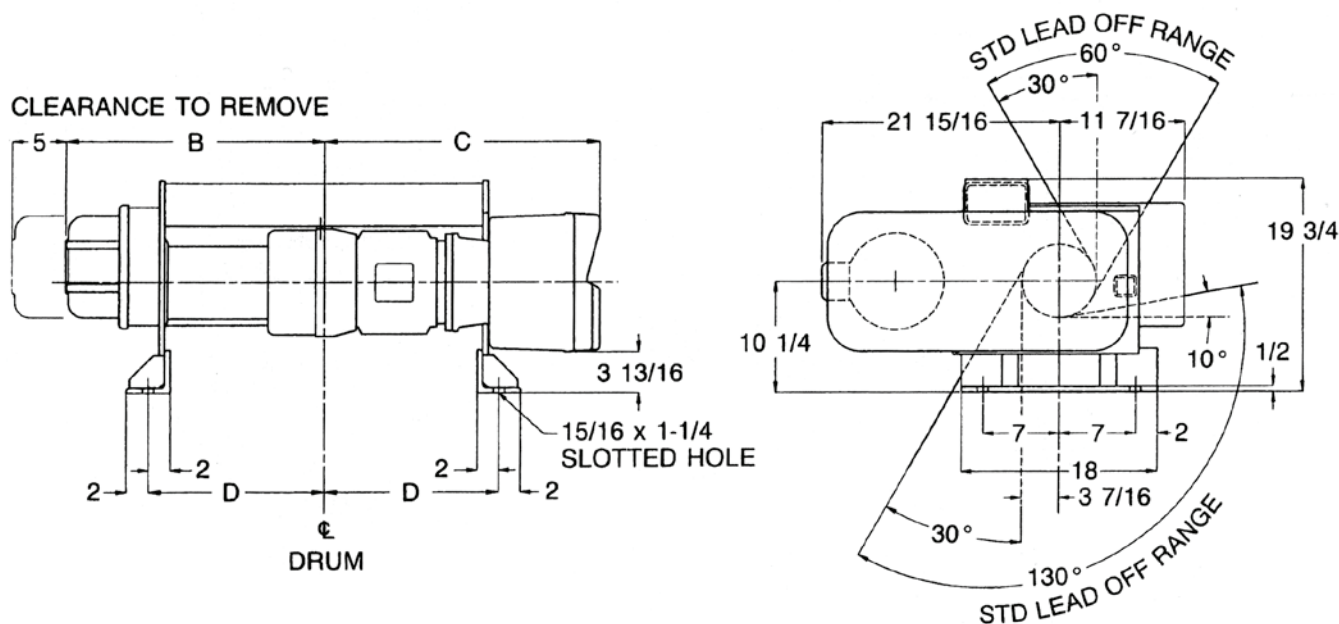
1 Part Single Reeved
 3/8 Diameter Rope

Electric Wire Rope Hoists
 Issued 06-01-12

For Pricing See Page 1w

MODEL NUMBER	Drum Winding Capacity (x) (Ft)	Wire Rope Speed (FPM)	HP	B	C	D	Weight	Drum
C2W01S040-30W1S0	40	30	3	15-5/8	17-3/8	8	608	1
C2W01S072-30W1S0	72	30	3	19-3/8	21-1/8	11-3/4	646	3
C2W01S108-30W1S0	108	30	3	23-3/4	25-1/2	16-1/8	702	4
C2W01S172-30W1S0	172	30	3	31-1/4	33	23-5/8	779	6
C2W01S040-45W1S0	40	45	3	15-5/8	17-3/8	B	608	1
C2W01S072-45W1S0	72	45	3	19-3/8	21-1/8	11-3/4	646	3
C2W01S108-45W1S0	108	45	3	23-3/4	25-1/2	16-1/8	702	4
C2W01S172-45W1S0	172	45	3	31-1/4	33	23-5/8	779	6
C2W01S040-60W1S0	40	60	5	15-5/8	17-3/8	8	608	1
C2W01S072-60W1S0	72	60	5	19-3/8	21-1/8	11-3/4	646	3
C2W01S108-60W1S0	108	60	5	23-3/4	25-1/2	16-1/8	702	4
C2W01S172-60W1S0	172	60	5	31-1/4	33	23-5/8	779	6

All dimensions shown in inches unless otherwise specified.
 Controls are shipped loose, mounting and final wiring by others.
 (x) Maximum drum winding capacity is given with two remaining wraps of rope on drum.



ACCO Acco Material Handling Solutions 800-967-7333 www.accomhs.com

WARNING

Equipment described herein is not designed for, and should not be used for, lifting, supporting, or transporting humans. Modifications to upgrade, rerate, or otherwise alter the hoist or crane equipment shall be authorized only by the original manufacturer or qualified professional engineer. Failure to comply with any one of the limitations noted herein may result in serious bodily injury.
 © 2012 ACCO Material Handling Solutions

WRIGHT®

Work-Rated®

THE NEW CENTURY SERIES®

Electric Wire Rope Hoists

Issued 06-01-12

Base Mounted Winch
Series 32

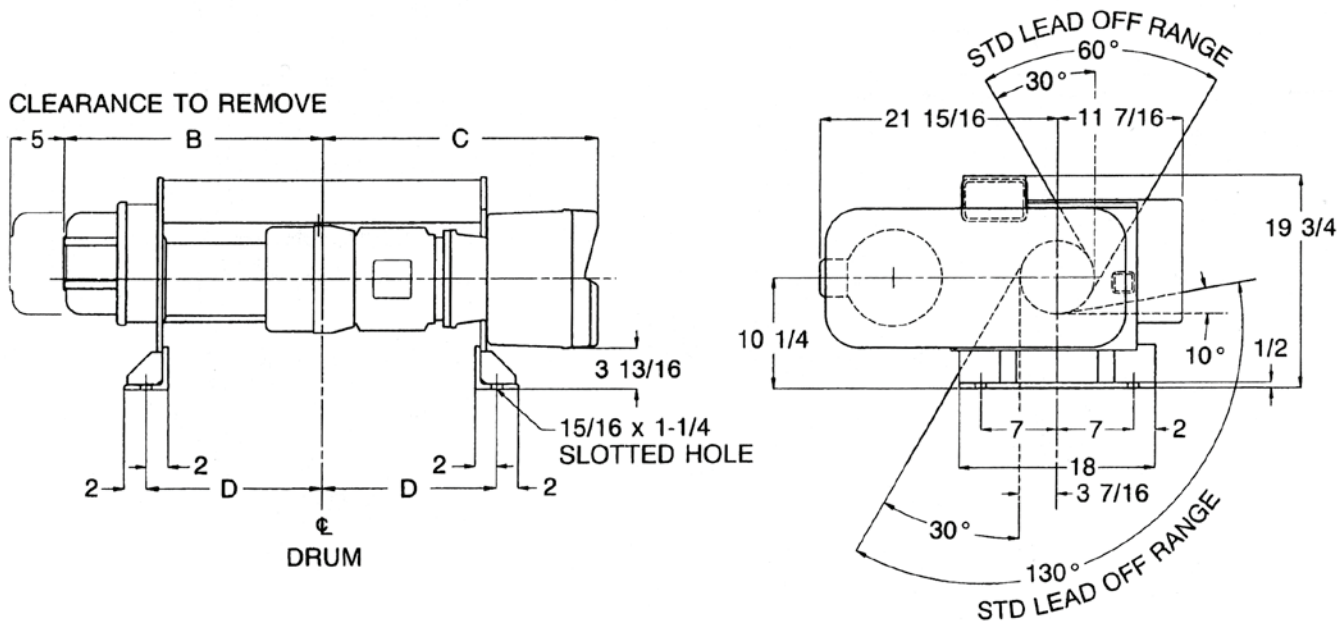
1 Part Single Reeved
3/8 Diameter Rope

1 1/2 TON

For Pricing See Page 2w

MODEL NUMBER	Drum Winding Capacity (x) (Ft)	Wire Rope Speed (FPM)	HP	B	C	D	Weight	Drum
C2W96S040-30W1S0	40	30	3	15-5/8	17-3/8	8	608	1
C2W96S072-30W1S0	72	30	3	19-3/8	21-1/8	11-3/4	646	3
C2W96S108-30W1S0	108	30	3	23-3/4	25-1/2	16-1/8	702	4
C2W96S172-30W1S0	172	30	3	31-1/4	33	23-5/8	779	6
C2W96S040-45W1S0	40	45	5	15-5/8	17-3/8	8	608	1
C2W96S072-45W1S0	72	45	5	19-3/8	21-1/8	11-3/4	646	3
C2W96S108-45W1S0	108	45	5	23-3/4	25-1/2	16-1/8	702	4
C2W96S172-45W1S0	172	45	5	31-1/4	33	23-5/8	779	6

All dimensions shown in inches unless otherwise specified.
Controls are shipped loose, mounting and final wiring by others.
(x) Maximum drum winding capacity is given with two remaining wraps of rope on drum.



WRIGHT®
Work-Rated®

THE NEW CENTURY SERIES®

Electric Wire Rope Hoists

Issued 06-03-13

Base Mounted Winch
Series 33

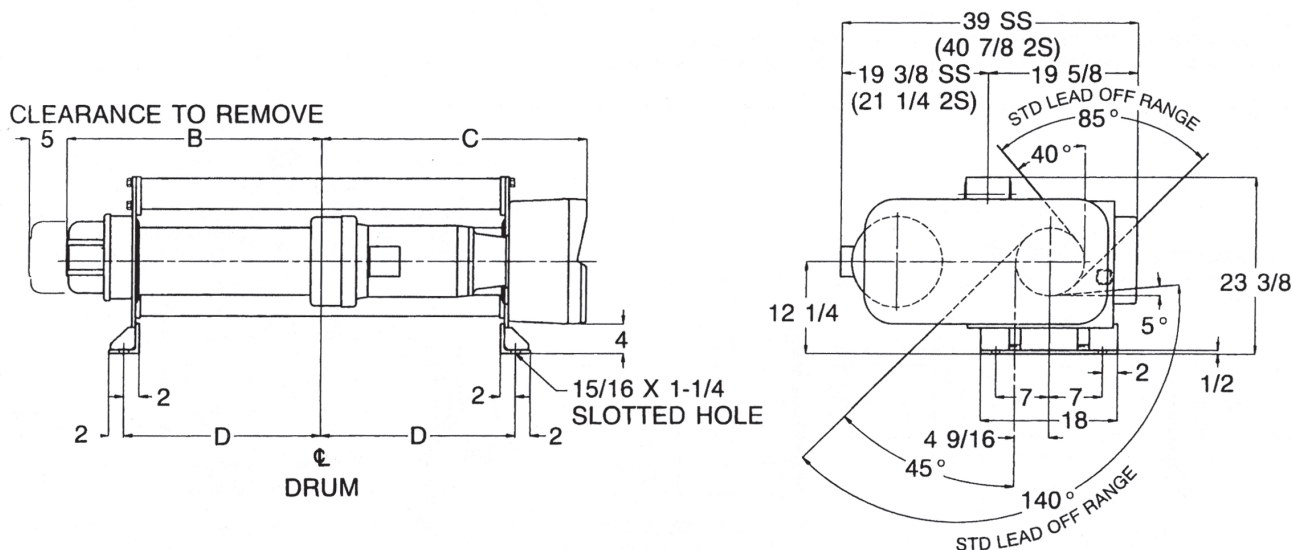
1 Part Single Reeved
1/2 Diameter Rope

1 1/2 TON

For Pricing See Page 2w

MODEL NUMBER	Drum Winding Capacity (x) (Ft)	Wire Rope Speed (FPM)	HP	B	C	D	Weight	Drum
C3W96S040-60W1S0	40	60	7-1/2	18-7/16	18-1/4	8-7/8	923	1
C3W96S086-60W1S0	86	60	7-1/2	21-1/2	23-1/4	13-7/8	994	2
C3W96S132-60W1S0	132	60	7-1/2	27	28-3/4	19-3/8	1074	3
C3W96S186-60W1S0	186	60	7-1/2	33-1/2	35-1/4	25-7/8	1167	4
C3W96S270-60W1S0	270	60	7-1/2	43-1/2	45-1/4	35-7/8	1312	5
C3W96S376-60W1S0	376	60	7-1/2	56	57-3/4	48-3/8	1493	6

All dimensions shown in inches unless otherwise specified.
Controls are shipped loose, mounting and final wiring by others.
(x) Maximum drum winding capacity is given with two remaining wraps of rope on drum.



ACCO® Acco Material Handling Solutions 800-967-7333 www.accomhs.com

WARNING

Equipment described herein is not designed for, and should not be used for, lifting, supporting, or transporting humans. Modifications to upgrade, rerate, or otherwise alter the hoist or crane equipment shall be authorized only by the original manufacturer or qualified professional engineer. Failure to comply with any one of the limitations noted herein may result in serious bodily injury.
© 2013 ACCO Material Handling Solutions

WRIGHT®
Work-Rated®

THE NEW CENTURY SERIES®

Electric Wire Rope Hoists

Issued 06-01-12

Base Mounted Winch
Series 33

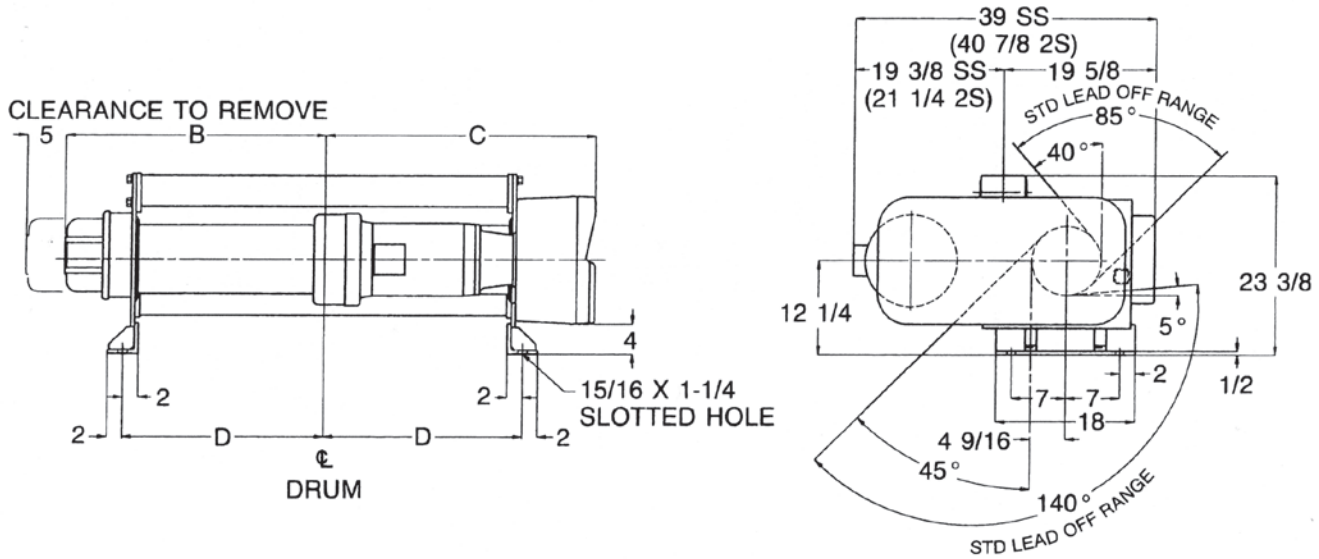
1 Part Single Reeved
1/2 Diameter Rope

2 1/2 TON

For Pricing See Page 3w

MODEL NUMBER	Drum Winding Capacity (x) (Ft)	Wire Rope Speed (FPM)	HP	B	C	D	Weight	Drum
C3W95S040-44W1S0	40	44	7-1/2	18-7/16	18-1/4	8-7/8	923	1
C3W95S086-44W1S0	86	44	7-1/2	21-1/2	23-1/4	13-7/8	994	2
C3W95S132-44W1S0	132	44	7-1/2	27	28-3/4	19-3/8	1074	3
C3W95S186-44W1S0	186	44	7-1/2	33-1/2	35-1/4	25-7/8	1167	4
C3W95S270-44W1S0	270	44	7-1/2	43-1/2	45-1/4	35-7/8	1312	5
C3W95S376-44W1S0	376	44	7-1/2	56	57-3/4	48-3/8	1493	6
C3W95S040-60W1S0	40	60	10	18-7/16	18-1/4	8-7/8	923	1
C3W95S086-60W1S0	86	60	10	21-1/2	23-1/4	13-7/8	994	2
C3W95S132-60W1S0	132	60	10	27	28-3/4	19-3/8	1074	3
C3W95S186-60W1S0	186	60	10	33-1/2	35-1/4	25-7/8	1167	4
C3W95S270-60W1S0	270	60	10	43-1/2	45-1/4	35-7/8	1312	5
C3W95S376-60W1S0	376	60	10	56	57-3/4	48-3/8	1493	6

All dimensions shown in inches unless otherwise specified.
Controls are shipped loose, mounting and final wiring by others.
(x) Maximum drum winding capacity is given with two remaining wraps of rope on drum.



ACCO Acco Material Handling Solutions 800-967-7333 www.accomhs.com

WARNING

Equipment described herein is not designed for, and should not be used for, lifting, supporting, or transporting humans. Modifications to upgrade, rerate, or otherwise alter the hoist or crane equipment shall be authorized only by the original manufacturer or qualified professional engineer. Failure to comply with any one of the limitations noted herein may result in serious bodily injury.
© 2012 ACCO Material Handling Solutions

WRIGHT®
Work-Rated®
THE NEW CENTURY SERIES®

Base Mounted Winch
Series 34

1 Part Single Reeved
 5/8 Diameter Rope

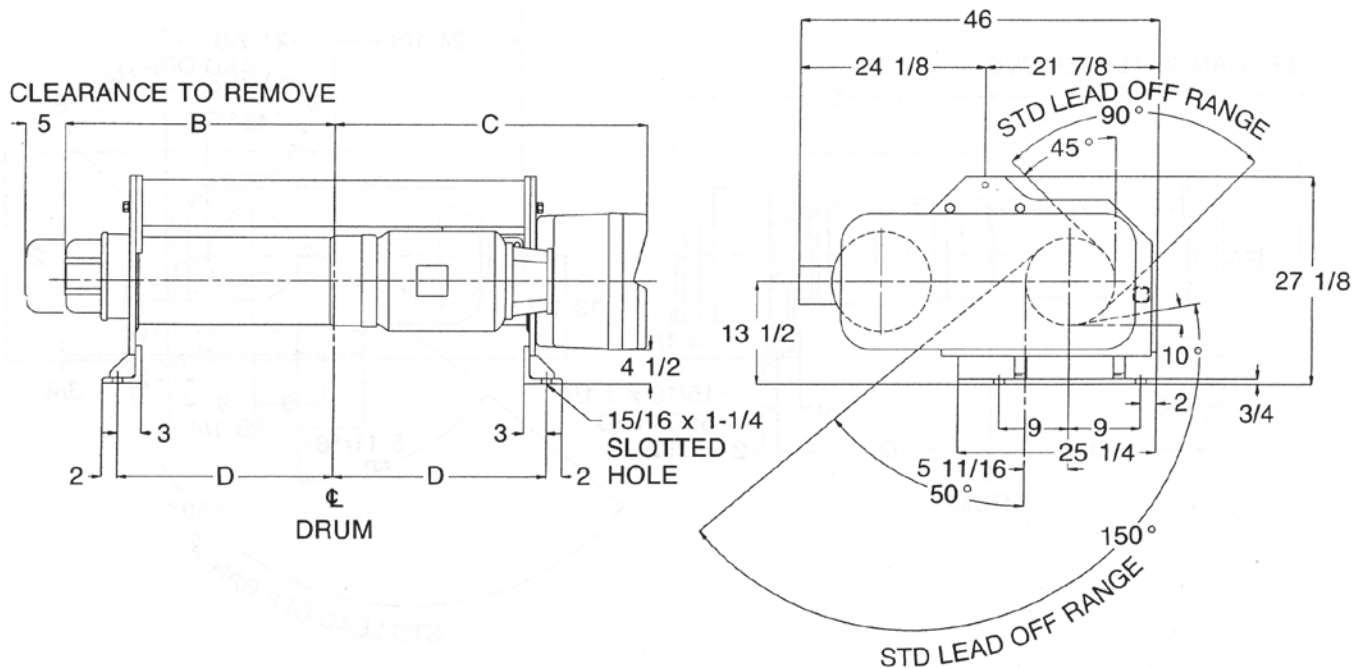
2 1/2 TON

Electric Wire Rope Hoists
 Issued 06-01-12

For Pricing See Page 3w

MODEL NUMBER	Drum Winding Capacity (x) (Ft)	Wire Rope Speed (FPM)	HP	B	C	D	Weight	Drum
C4W95S043-85W1S0	43	85	15	18-9/16	22-7/8	9-7/8	1710	1
C4W95S106-85W1S0	106	85	15	24-1/2	30-3/8	17-3/8	1900	2
C4W95S143-85W1S0	143	85	15	29	34-7/8	21-7/8	2050	3
C4W95S194-85W1S0	194	85	15	35	40-7/8	27-7/8	2190	4
C4W95S286-85W1S0	286	85	15	46	51-7/8	38-7/8	2470	5
C4W95S412-85W1S0	412	85	15	61	66-7/8	53-7/8	2850	6

All dimensions shown in inches unless otherwise specified.
 Controls are shipped loose, mounting and final wiring by others.
 (x) Maximum drum winding capacity is given with two remaining wraps of rope on drum.



ACCO Acco Material Handling Solutions 800-967-7333 www.accomhs.com

WARNING Equipment described herein is not designed for, and should not be used for, lifting, supporting, or transporting humans. Modifications to upgrade, rerate, or otherwise alter the hoist or crane equipment shall be authorized only by the original manufacturer or qualified professional engineer. Failure to comply with any one of the limitations noted herein may result in serious bodily injury.
 © 2012 ACCO Material Handling Solutions

WRIGHT®
Work-Rated®

THE NEW CENTURY SERIES®

Electric Wire Rope Hoists

Issued 06-01-12

Base Mounted Winch
Series 34

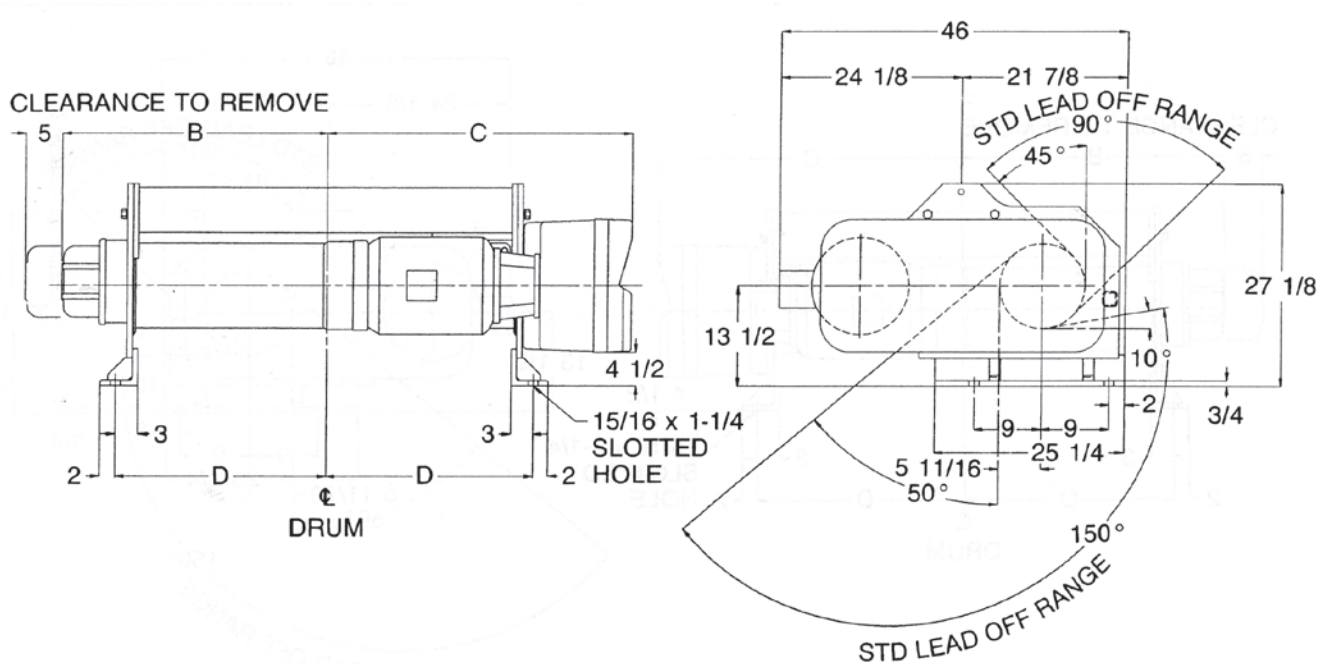
1 Part Single Reeved
5/8 Diameter Rope

3 3/4 TON

For Pricing See Page 4w

MODEL NUMBER	Drum Winding Capacity (x) (Ft)	Wire Rope Speed (FPM)	HP	B	C	D	Weight	Drum
C4W97S043-60W1S0	43	60	15	18-9/16	22-7/8	9-7/8	1710	1
C4W97S106-60W1S0	106	60	15	24-1/2	30-3/8	17-3/8	1900	2
C4W97S143-60W1S0	143	60	15	29	34-7/8	21-7/8	2050	3
C4W97S194-60W1S0	194	60	15	35	40-7/8	27-7/8	2190	4
C4W97S286-60W1S0	286	60	15	46	51-7/8	38-7/8	2470	5
C4W97S412-60W1S0	412	60	15	61	66-7/8	53-7/8	2850	6

All dimensions shown in inches unless otherwise specified.
Controls are shipped loose, mounting and final wiring by others.
(x) Maximum drum winding capacity is given with two remaining wraps of rope on drum.



ACCO Acco Material Handling Solutions 800-967-7333 www.accomhs.com

WARNING

Equipment described herein is not designed for, and should not be used for, lifting, supporting, or transporting humans. Modifications to upgrade, rerate, or otherwise alter the hoist or crane equipment shall be authorized only by the original manufacturer or qualified professional engineer. Failure to comply with any one of the limitations noted herein may result in serious bodily injury.
© 2012 ACCO Material Handling Solutions

WRIGHT®

Work-Rated®

THE NEW CENTURY SERIES®

Electric Wire Rope Hoists

Issued 06-01-12

Base Mounted Winch

Series 35

1 Part Single Reeved
3/4 Diameter Rope

3³/₄ TON

For Pricing See Page 4w

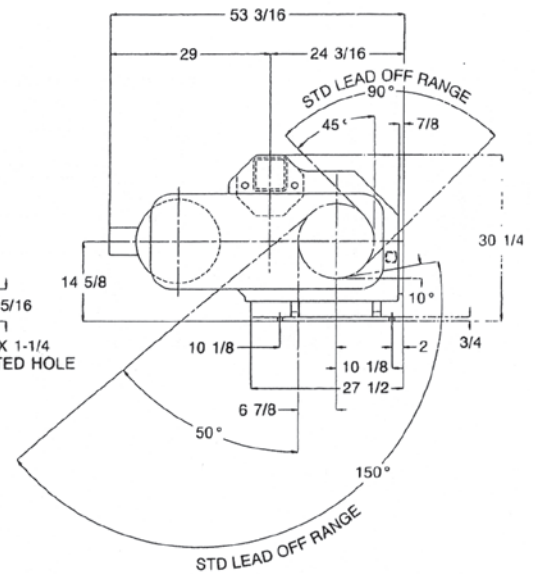
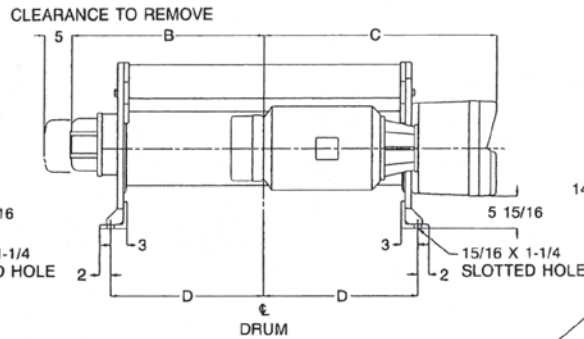
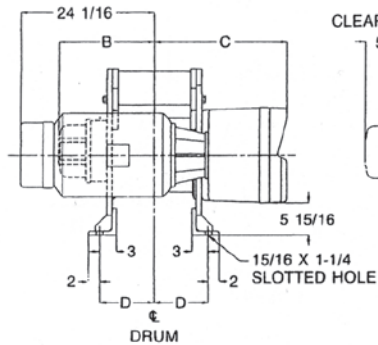
MODEL NUMBER	Drum Winding Capacity (x) (Ft)	Wire Rope Speed (FPM)	HP	B	C	D	Weight	Drum
C5W97S041-88W1S0	41	88	20	17-3/8	24-1/8	9-7/8	2120	1
C5W97S103-88W1S0	103	88	20	24-7/8	31-5/8	17-3/8	2375	2
C5W97S141-88W1S0	141	88	20	29-3/8	36-1/8	21-7/8	2525	3
C5W97S192-88W1S0	192	88	20	35-3/8	42-1/8	27-7/8	2730	4
C5W97S267-88W1S0	267	88	20	44-3/8	51-1/8	36-7/8	3030	5
C5W97S372-88W1S0	372	88	20	56-7/8	63-5/8	49-3/8	3455	6

All dimensions shown in inches unless otherwise specified.
Controls are shipped loose, mounting and final wiring by others.
(x) Maximum drum winding capacity is given with two remaining wraps of rope on drum.

41 Foot Lift

103, 141, 192, 267, 372 Foot Lifts

All Lifts



800-967-7333 www.accomhs.com



Equipment described herein is not designed for, and should not be used for, lifting, supporting, or transporting humans. Modifications to upgrade, rerate, or otherwise alter the hoist or crane equipment shall be authorized only by the original manufacturer or qualified professional engineer. Failure to comply with any one of the limitations noted herein may result in serious bodily injury.

© 2012 ACCO Material Handling Solutions

WRIGHT®
Work-Rated®

Base Mounted Winch
Series 35

5 TON

THE NEW CENTURY SERIES®

1 Part Single Reeved
3/4 Diameter Rope

Electric Wire Rope Hoists

Issued 06-01-12

For Pricing See Page 5w

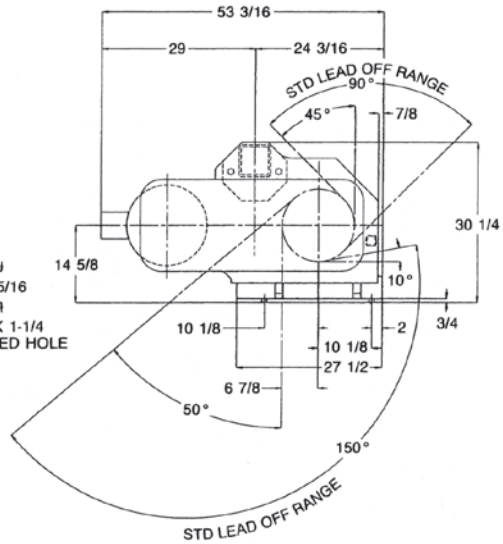
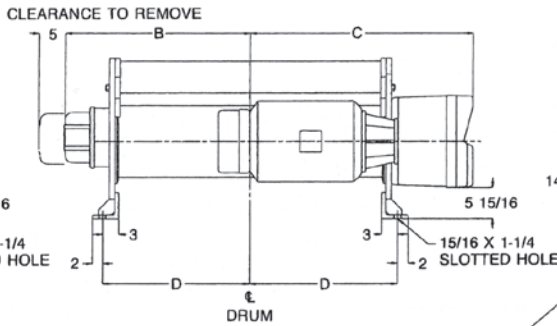
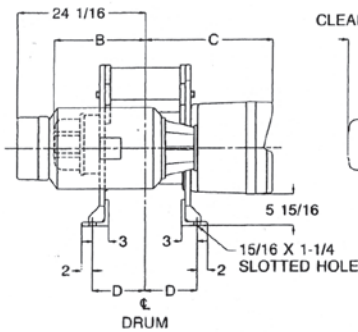
MODEL NUMBER	Drum Winding Capacity (x) (Ft)	Wire Rope Speed (FPM)	HP	B	C	D	Weight	Drum
C5W05S041-60W1S0	41	60	20	17-3/8	24-1/8	9-7/8	2120	1
C5W05S103-60W1S0	103	60	20	24-7/8	31-5/8	17-3/8	2375	2
C5W05S141-60W1S0	141	60	20	29-3/8	36-1/8	21-7/8	2525	3
C5W05S192-60W1S0	192	60	20	35-3/8	42-1/8	27-7/8	2730	4
C5W05S267-60W1S0	267	60	20	44-3/8	51-1/8	36-7/8	3030	5
C5W05S372-60W1S0	372	60	20	56-7/8	63-5/8	49-3/8	3455	6

All dimensions shown in inches unless otherwise specified.
Controls are shipped loose, mounting and final wiring by others.
(x) Maximum drum winding capacity is given with two remaining wraps of rope on drum.

41 Foot Lift

103, 141, 192, 267, 372 Foot Lifts

All Lifts



ACCO Acco Material Handling Solutions 800-967-7333 www.accomhs.com

WARNING

Equipment described herein is not designed for, and should not be used for, lifting, supporting, or transporting humans. Modifications to upgrade, rerate, or otherwise alter the hoist or crane equipment shall be authorized only by the original manufacturer or qualified professional engineer. Failure to comply with any one of the limitations noted herein may result in serious bodily injury.
© 2012 ACCO Material Handling Solutions

WRIGHT®**Work-Rated®****THE NEW CENTURY SERIES®**

Electric Wire Rope Hoists

Issued 06-01-12

Base Mounted Winch

Series 32

1 Part Double Reeved

3/8 Diameter Rope

1 TON

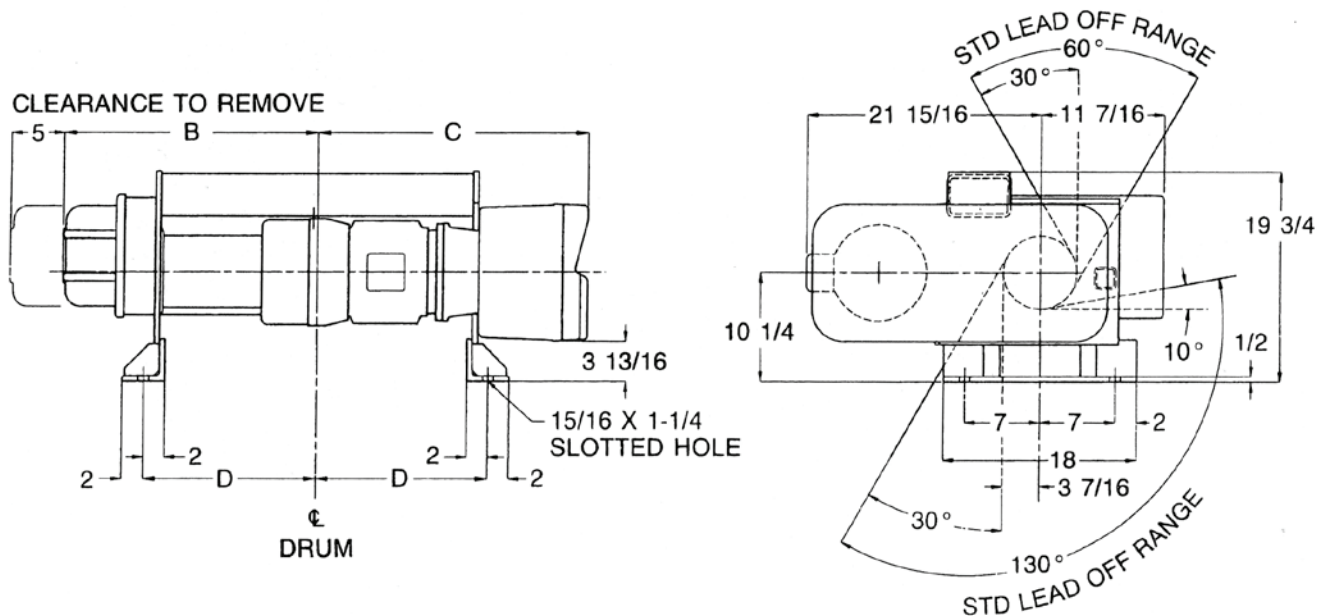
For Pricing See Page 6w

MODEL NUMBER	Drum Winding Capacity (x) (Ft)	Wire Rope Speed (FPM)	HP	B	C	D	Weight	Drum
C2W01D040-30W1D0	40	30	3	23-3/4	25-1/2	16-1/8	702	4
C2W01D072-30W1D0	72	30	3	31-1/4	33	23-5/8	779	6
C2W01D120-30W1D0	120	30	3	42-1/8	44-7/8	34-3/4	911	7
C2W01D170-30W1D0	170	30	3	53-3/8	56-5/8	46-1/2	1036	8
C2W01D040-45W1D0	40	45	3	23-3/4	25-1/2	16-1/8	702	4
C2W01D072-45W1D0	72	45	3	31-1/4	33	23-5/8	779	6
C2W01D120-45W1D0	120	45	3	42-1/8	44-7/8	34-3/4	911	7
C2W01D170-45W1D0	170	45	3	53-3/8	56-5/8	46-1/2	1036	8
C2W01D040-60W1D0	40	60	5	23-3/4	25-1/2	16-1/8	702	4
C2W01D072-60W1D0	72	60	5	31-1/4	33	23-5/8	779	6
C2W01D120-60W1D0	120	60	5	42-1/8	44-7/8	34-3/4	911	7
C2W01D170-60W1D0	170	60	5	53-3/8	56-5/8	46-1/2	1036	8

All dimensions shown in inches unless otherwise specified.

Controls are shipped loose, mounting and final wiring by others.

(x) Maximum drum winding capacity, each hand, is given with two remaining wraps of rope on drum.

**ACCO** Acco Material Handling Solutions

800-967-7333 www.accomhs.com

WARNING

Equipment described herein is not designed for, and should not be used for, lifting, supporting, or transporting humans. Modifications to upgrade, rerate, or otherwise alter the hoist or crane equipment shall be authorized only by the original manufacturer or qualified professional engineer. Failure to comply with any one of the limitations noted herein may result in serious bodily injury.

© 2012 ACCO Material Handling Solutions

w9

WRIGHT®
Work-Rated®

THE NEW CENTURY SERIES®

Electric Wire Rope Hoists

Issued 06-01-12

Base Mounted Winch
Series 32

1 Part Double Reeved
3/8 Diameter Rope

1 1/2 TON

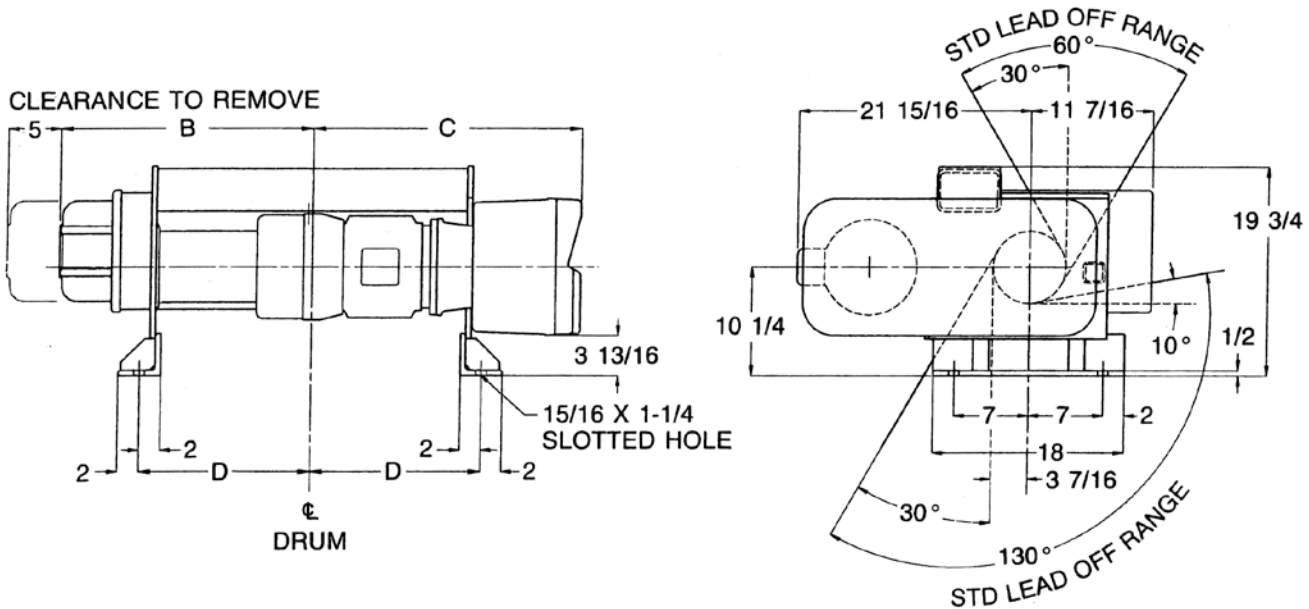
For Pricing See Page 7w

MODEL NUMBER	Drum Winding Capacity (x) (Ft)	Wire Rope Speed (FPM)	HP	B	C	D	Weight	Drum
C2W96D040-30W1D0	40	30	3	23-3/4	25-1/2	16-1/8	702	4
C2W96D072-30W1D0	72	30	3	31-1/4	33	23-5/8	779	6
C2W96D120-30W1D0	120	30	3	42-1/8	44-7/8	34-3/4	911	7
C2W96D170-30W1D0	170	30	3	53-3/8	56-5/8	46-1/2	1036	8
C2W96D040-45W1D0	40	45	5	23-3/4	25-1/2	16-1/8	702	4
C2W96D072-45W1D0	72	45	5	31-1/4	33	23-5/8	779	6
C2W96D120-45W1D0	120	45	5	42-1/8	44-7/8	34-3/4	911	7
C2W96D170-45W1D0	170	45	5	53-3/8	56-5/8	46-1/2	1036	8

All dimensions shown in inches unless otherwise specified.

Controls are shipped loose, mounting and final wiring by others.

(x) Maximum drum winding capacity, each hand, is given with two remaining wraps of rope on drum.



AGCO Acco Material Handling Solutions 800-967-7333 www.accomhs.com

WARNING

Equipment described herein is not designed for, and should not be used for, lifting, supporting, or transporting humans. Modifications to upgrade, rerate, or otherwise alter the hoist or crane equipment shall be authorized only by the original manufacturer or qualified professional engineer. Failure to comply with any one of the limitations noted herein may result in serious bodily injury.

© 2012 ACCO Material Handling Solutions

w10

WRIGHT®

Work-Rated®

THE NEW CENTURY SERIES®

Electric Wire Rope Hoists

Issued 06-01-12

Base Mounted Winch

Series 33

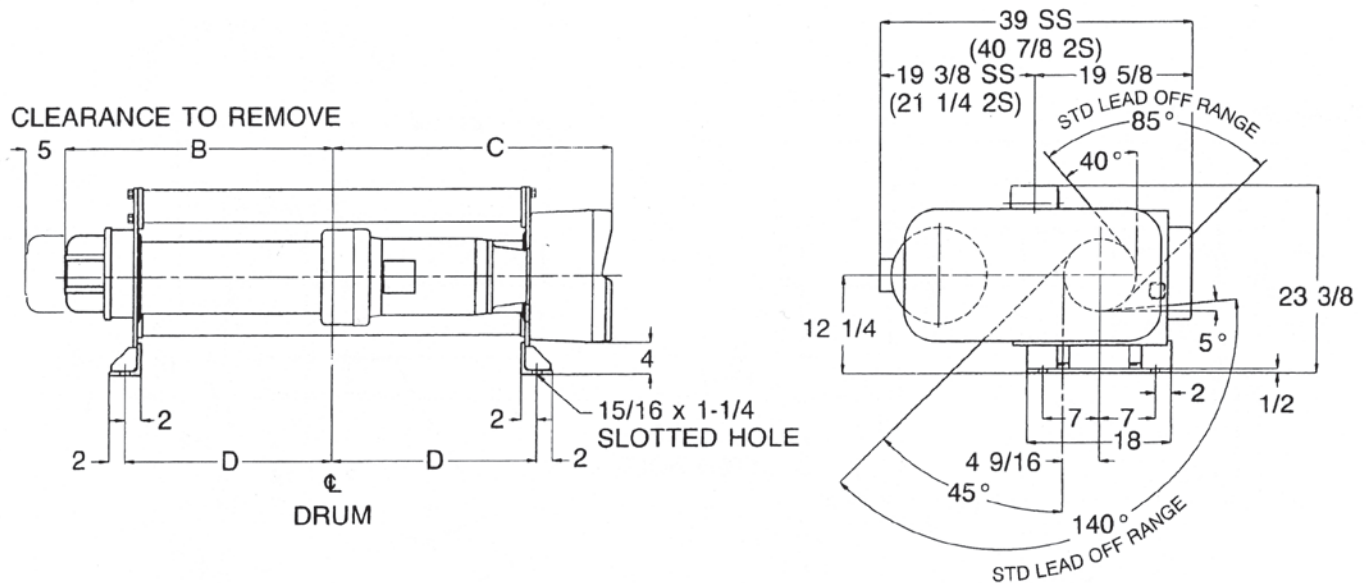
1 Part Double Reeved
3/8 Diameter Rope

1 1/2 TON

For Pricing See Page 7w

MODEL NUMBER	Drum Winding Capacity (x) (Ft)	Wire Rope Speed (FPM)	HP	B	C	D	Weight	Drum
C3W96D040-60W1D0	40	60	7-1/2	21-1/2	23-1/4	13-7/8	994	2
C3W96D072-60W1D0	72	60	7-1/2	27	28-3/4	19-3/8	1074	3
C3W96D108-60W1D0	108	60	7-1/2	33-1/2	35-1/4	25-7/8	1167	4
C3W96D164-60W1D0	164	60	7-1/2	43-1/2	45-1/4	35-7/8	1312	5
C3W96D236-60W1D0	236	60	7-1/2	56	57-3/4	48-3/8	1493	6

All dimensions shown in inches unless otherwise specified.
Controls are shipped loose, mounting and final wiring by others.
(x) Maximum drum winding capacity, each hand, is given with two remaining wraps of rope on drum.



ACCO Acco Material Handling Solutions 800-967-7333 www.accomhs.com

WARNING

Equipment described herein is not designed for, and should not be used for, lifting, supporting, or transporting humans. Modifications to upgrade, rerate, or otherwise alter the hoist or crane equipment shall be authorized only by the original manufacturer or qualified professional engineer. Failure to comply with any one of the limitations noted herein may result in serious bodily injury.
© 2012 ACCO Material Handling Solutions

WRIGHT®
Work-Rated®

THE NEW CENTURY SERIES®

Electric Wire Rope Hoists

Issued 06-01-12

Base Mounted Winch
Series 32

1 Part Double Reeved
3/8 Diameter Rope

2 1/2 TON

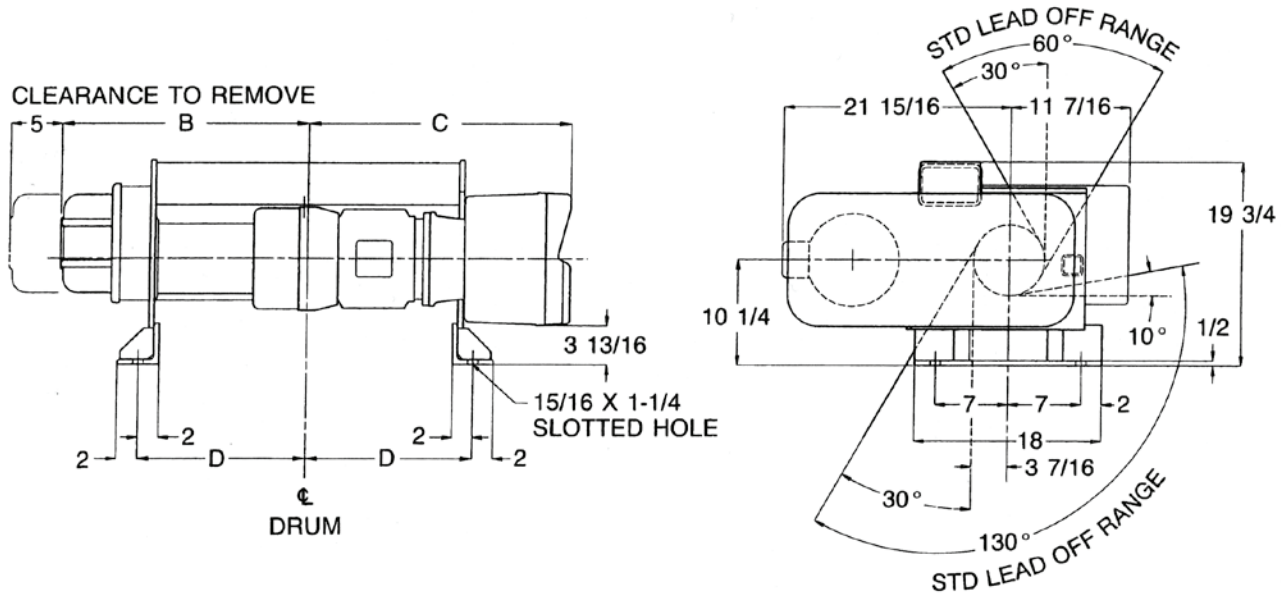
For Pricing See Page 8w

MODEL NUMBER	Drum Winding Capacity (x) (Ft)	Wire Rope Speed (FPM)	HP	B	C	D	Weight	Drum
C2W95D040-30W1D0	40	30	5	23-3/4	25-1/2	16-1/8	702	4
C2W95D072-30W1D0	72	30	5	31-1/4	33	23-5/8	779	6
C2W95D120-30W1D0	120	30	5	42-1/8	44-7/8	34-3/4	911	7
C2W95D170-30W1D0	170	30	5	53-3/8	56-5/8	46-1/2	1036	8

All dimensions shown in inches unless otherwise specified.

Controls are shipped loose, mounting and final wiring by others.

(x) Maximum drum winding capacity, each hand, is given with two remaining wraps of rope on drum.



ACCO Acco Material Handling Solutions 800-967-7333 www.accomhs.com

WARNING

Equipment described herein is not designed for, and should not be used for, lifting, supporting, or transporting humans. Modifications to upgrade, rerate, or otherwise alter the hoist or crane equipment shall be authorized only by the original manufacturer or qualified professional engineer. Failure to comply with any one of the limitations noted herein may result in serious bodily injury.

© 2012 ACCO Material Handling Solutions

WRIGHT®
 Work-Rated®
 THE NEW CENTURY SERIES®

Base Mounted Winch
Series 33

1 Part Double Reeved
 3/8 Diameter Rope

2 1/2 TON

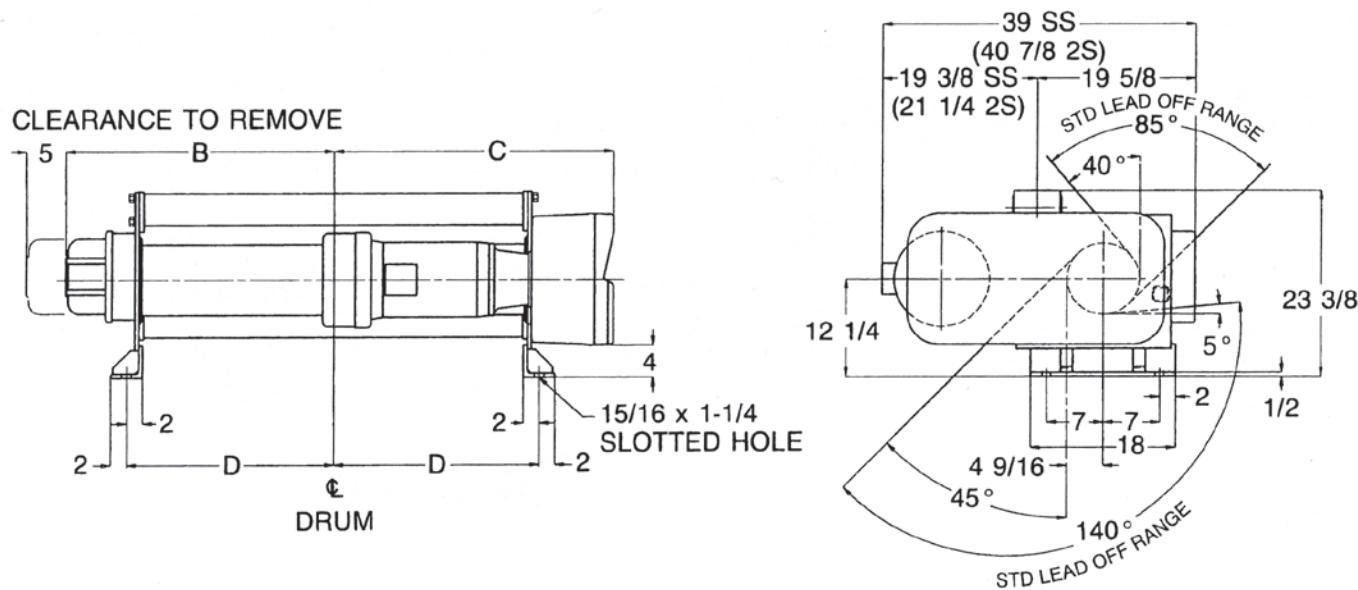
Electric Wire Rope Hoists

Issued 06-01-12

For Pricing See Page 8w

MODEL NUMBER	Drum Winding Capacity (x) (Ft)	Wire Rope Speed (FPM)	HP	B	C	D	Weight	Drum
C3W95D040-44W1D0	40	44	7-1/2	21-1/2	23-1/4	13-7/8	994	2
C3W95D072-44W1D0	72	44	7-1/2	27	28-3/4	19-3/8	1074	3
C3W95D108-44W1D0	108	44	7-1/2	33-1/2	35-1/4	25-7/8	1167	4
C3W95D164-44W1D0	164	44	7-1/2	43-1/2	45-1/4	35-7/8	1312	5
C3W95D236-44W1D0	236	44	7-1/2	56	57-3/4	48-3/8	1493	6
C3W95D040-60W1D0	40	60	10	21-1/2	23-1/4	13-7/8	994	2
C3W95D072-60W1D0	72	60	10	27	28-3/4	19-3/8	1074	3
C3W95D108-60W1D0	108	60	10	33-1/2	35-1/4	25-7/8	1167	4
C3W95D164-60W1D0	164	60	10	43-1/2	45-1/4	35-7/8	1312	5
C3W95D236-60W1D0	236	60	10	56	57-3/4	48-3/8	1493	6

All dimensions shown in inches unless otherwise specified.
 Controls are shipped loose, mounting and final wiring by others.
 (x) Maximum drum winding capacity, each hand, is given with two remaining wraps of rope on drum.



ACCO Acco Material Handling Solutions 800-967-7333 www.accomhs.com

WARNING

Equipment described herein is not designed for, and should not be used for, lifting, supporting, or transporting humans. Modifications to upgrade, rerate, or otherwise alter the hoist or crane equipment shall be authorized only by the original manufacturer or qualified professional engineer. Failure to comply with any one of the limitations noted herein may result in serious bodily injury.
 © 2012 ACCO Material Handling Solutions

WRIGHT®
Work-Rated®

Base Mounted Winch
Series 34

2 1/2 TON

1 Part Double Reeved
1/2 Diameter Rope

THE NEW CENTURY SERIES®

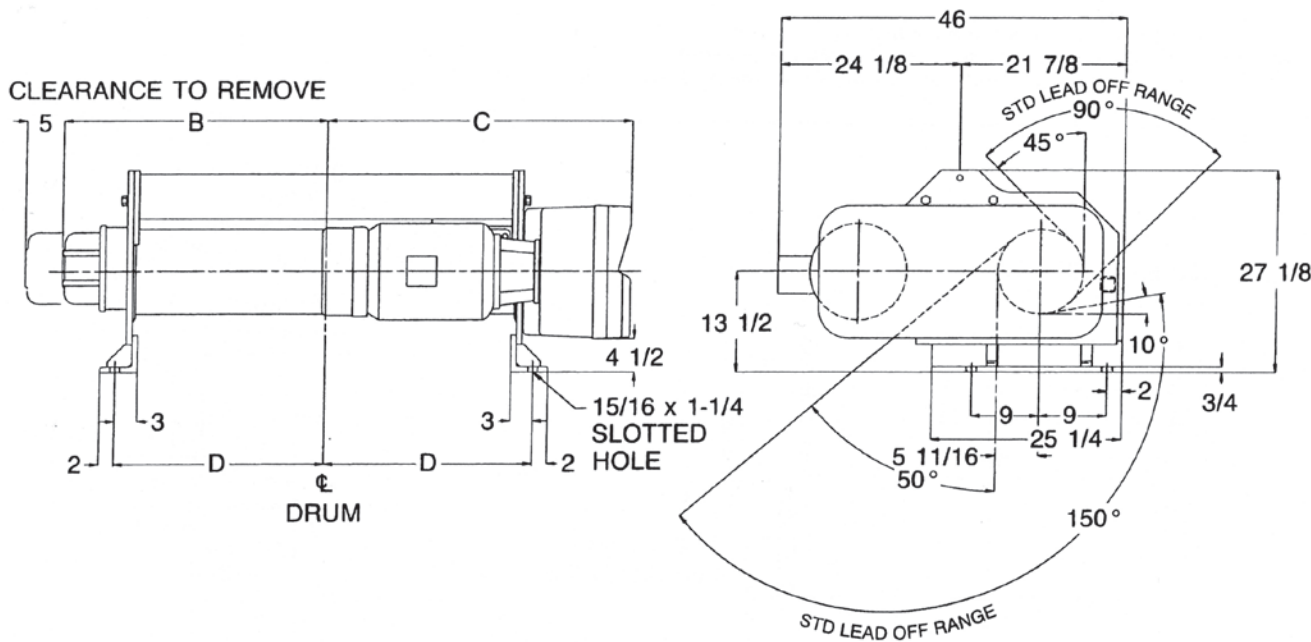
Electric Wire Rope Hoists

Issued 06-01-12

For Pricing See Page 8w

MODEL NUMBER	Drum Winding Capacity (x) (Ft)	Wire Rope Speed (FPM)	HP	B	C	D	Weight	Drum
C4W95D040-85W1D0	40	85	15	24-1/2	30-3/8	17-3/8	1900	2
C4W95D063-85W1D0	63	85	15	29	34-7/8	21-7/8	2050	3
C4W95D095-85W1D0	95	85	15	35	40-7/8	27-7/8	2190	4
C4W95D152-85W1D0	152	85	15	46	51-7/8	38-7/8	2470	5
C4W95D231-85W1D0	231	85	15	61	66-7/8	53-7/8	2850	6

All dimensions shown in inches unless otherwise specified.
Controls are shipped loose, mounting and final wiring by others.
(x) Maximum drum winding capacity, each hand, is given with two remaining wraps of rope on drum.



Acco Material Handling Solutions 800-967-7333 www.accomhs.com

WARNING

Equipment described herein is not designed for, and should not be used for, lifting, supporting, or transporting humans. Modifications to upgrade, rerate, or otherwise alter the hoist or crane equipment shall be authorized only by the original manufacturer or qualified professional engineer. Failure to comply with any one of the limitations noted herein may result in serious bodily injury.
© 2012 ACCO Material Handling Solutions

WRIGHT®**Work-Rated®****THE NEW CENTURY SERIES®**

Electric Wire Rope Hoists

Issued 06-01-12

Base Mounted Winch

Series 341 Part Double Reeved
1/2 Diameter Rope**3³/₄ TON**

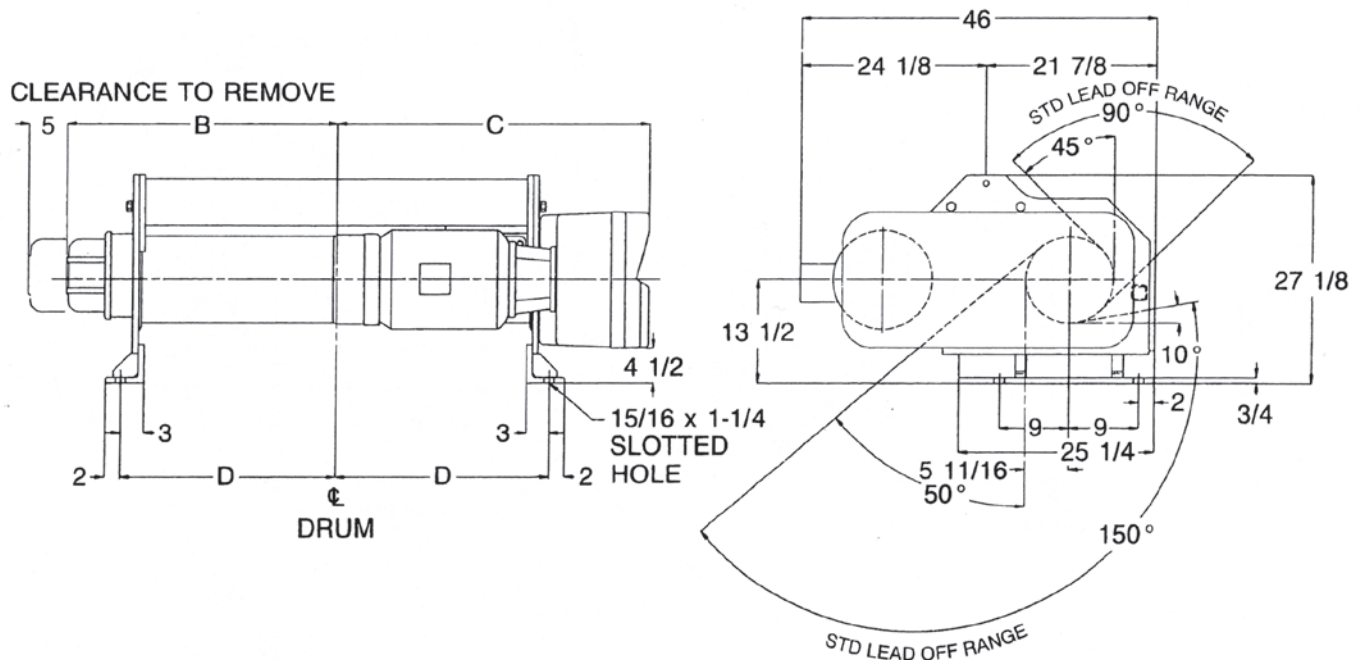
For Pricing See Page 9w

MODEL NUMBER	Drum Winding Capacity (x) (Ft)	Wire Rope Speed (FPM)	HP	B	C	D	Weight	Drum
C4W97D040-60W1D0	40	60	15	24-1/2	30-3/8	17-3/8	1900	2
C4W97D063-60W1D0	63	60	15	29	34-7/8	21-7/8	2050	3
C4W97D095-60W1D0	95	60	15	35	40-7/8	27-7/8	2190	4
C4W97D152-60W1D0	152	60	15	46	51-7/8	38-7/8	2470	5
C4W97D231-60W1D0	231	60	15	61	66-7/8	53-7/8	2850	6

All dimensions shown in inches unless otherwise specified.

Controls are shipped loose, mounting and final wiring by others.

(x) Maximum drum winding capacity, each hand, is given with two remaining wraps of rope on drum.

**ACCO** Acco Material
Handling Solutions

800-967-7333 www.accomhs.com

WARNING

Equipment described herein is not designed for, and should not be used for, lifting, supporting, or transporting humans. Modifications to upgrade, rerate, or otherwise alter the hoist or crane equipment shall be authorized only by the original manufacturer or qualified professional engineer. Failure to comply with any one of the limitations noted herein may result in serious bodily injury.

© 2012 ACCO Material Handling Solutions

w15

WRIGHT®
Work-Rated®

Base Mounted Winch
Series 35

1 Part Double Reeved
1/2 Diameter Rope

3³/₄ TON

THE NEW CENTURY SERIES®

Electric Wire Rope Hoists

Issued 06-01-12

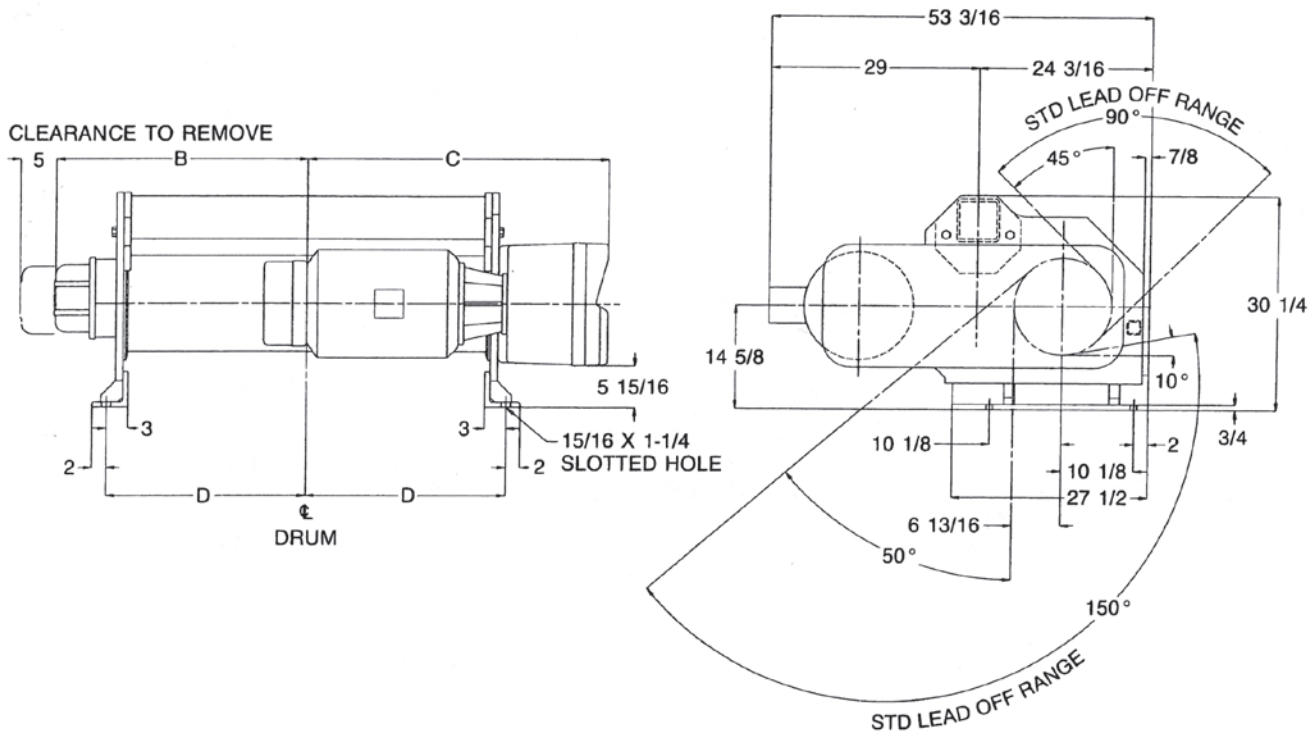
For Pricing See Page 9w

MODEL NUMBER	Drum Winding Capacity (x) (Ft)	Wire Rope Speed (FPM)	HP	B	C	D	Weight	Drum
C5W97D048-88W1D0	48	88	20	24-7/8	31-5/8	17-3/8	2375	2
C5W97D076-88W1D0	76	88	20	29-3/8	36-1/8	21-7/8	2525	3
C5W97D114-88W1D0	114	88	20	35-3/8	42-1/8	27-7/8	2730	4
C5W97D170-88W1D0	170	88	20	44-3/8	51-1/8	36-7/8	3030	5
C5W97D248-88W1D0	248	88	20	56-7/8	63-5/8	49-3/8	3455	6

All dimensions shown in inches unless otherwise specified.

Controls are shipped loose, mounting and final wiring by others.

(x) Maximum drum winding capacity, each hand, is given with two remaining wraps of rope on drum.



ACCO Acco Material Handling Solutions 800-967-7333 www.accomhs.com

WARNING

Equipment described herein is not designed for, and should not be used for, lifting, supporting, or transporting humans. Modifications to upgrade, rerate, or otherwise alter the hoist or crane equipment shall be authorized only by the original manufacturer or qualified professional engineer. Failure to comply with any one of the limitations noted herein may result in serious bodily injury.

© 2012 ACCO Material Handling Solutions

WRIGHT®
Work-Rated®
THE NEW CENTURY SERIES®

Electric Wire Rope Hoists

Issued 06-01-12

Base Mounted Winch
Series 35

1 Part Double Reeved
 1/2 Diameter Rope

5 TON

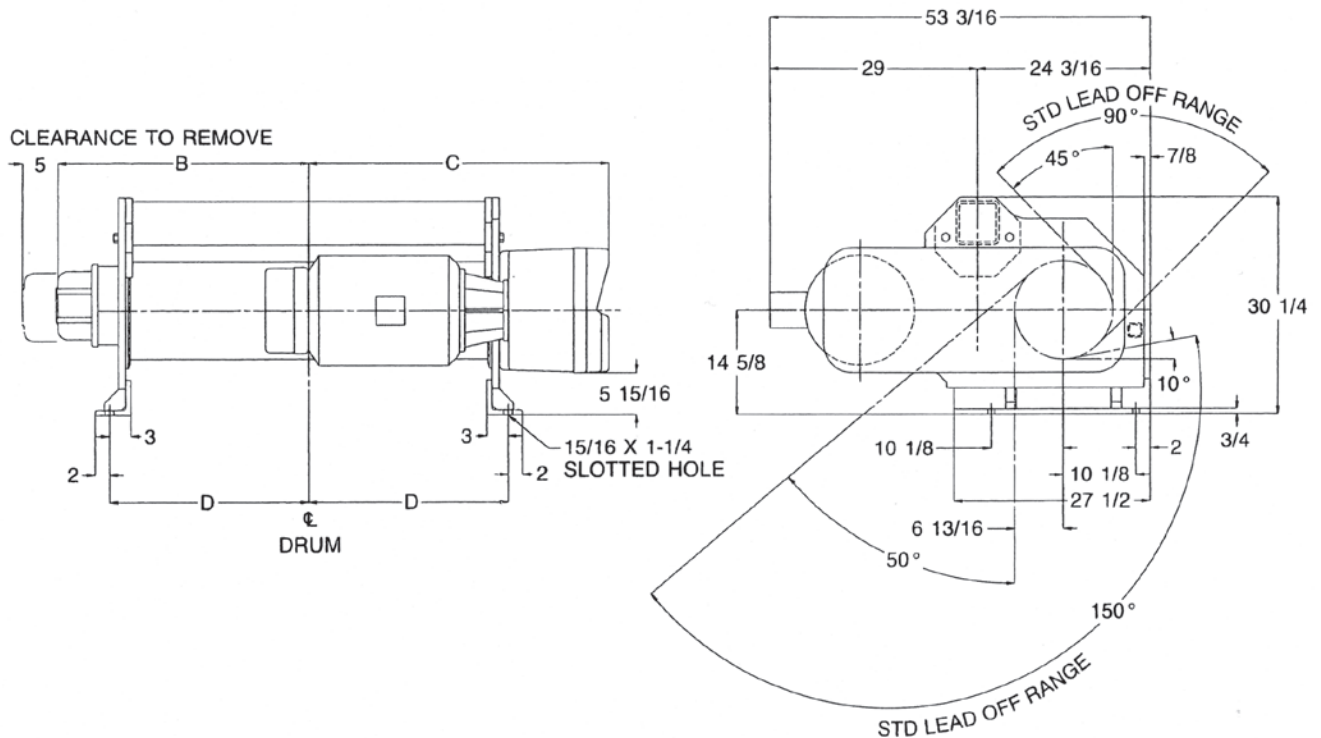
For Pricing See Page 10w

MODEL NUMBER	Drum Winding Capacity (x) (Ft)	Wire Rope Speed (FPM)	HP	B	C	D	Weight	Drum
C5W05D048-60W1D0	48	60	20	24-7/8	31-5/8	17-3/8	2375	2
C5W05D076-60W1D0	76	60	20	29-3/8	36-1/8	21-7/8	2525	3
C5W05D114-60W1D0	114	60	20	35-3/8	42-1/8	27-7/8	2730	4
C5W05D170-60W1D0	170	60	20	44-3/8	51-1/8	36-7/8	3030	5
C5W05D248-60W1D0	248	60	20	56-7/8	63-5/8	49-3/8	3455	6

All dimensions shown in inches unless otherwise specified.

Controls are shipped loose, mounting and final wiring by others.

(x) Maximum drum winding capacity, each hand, is given with two remaining wraps of rope on drum.



ACCO Acco Material Handling Solutions 800-967-7333 www.accomhs.com

WARNING

Equipment described herein is not designed for, and should not be used for, lifting, supporting, or transporting humans. Modifications to upgrade, rerate, or otherwise alter the hoist or crane equipment shall be authorized only by the original manufacturer or qualified professional engineer. Failure to comply with any one of the limitations noted herein may result in serious bodily injury.

© 2012 ACCO Material Handling Solutions

w17

WRIGHT®**Work-Rated®****THE NEW CENTURY SERIES®****Base Mounted Winch**
Series 351 Part Double Reeved
9/16 Diameter Rope**6¹/₄ TON**

Electric Wire Rope Hoists

Issued 06-01-12

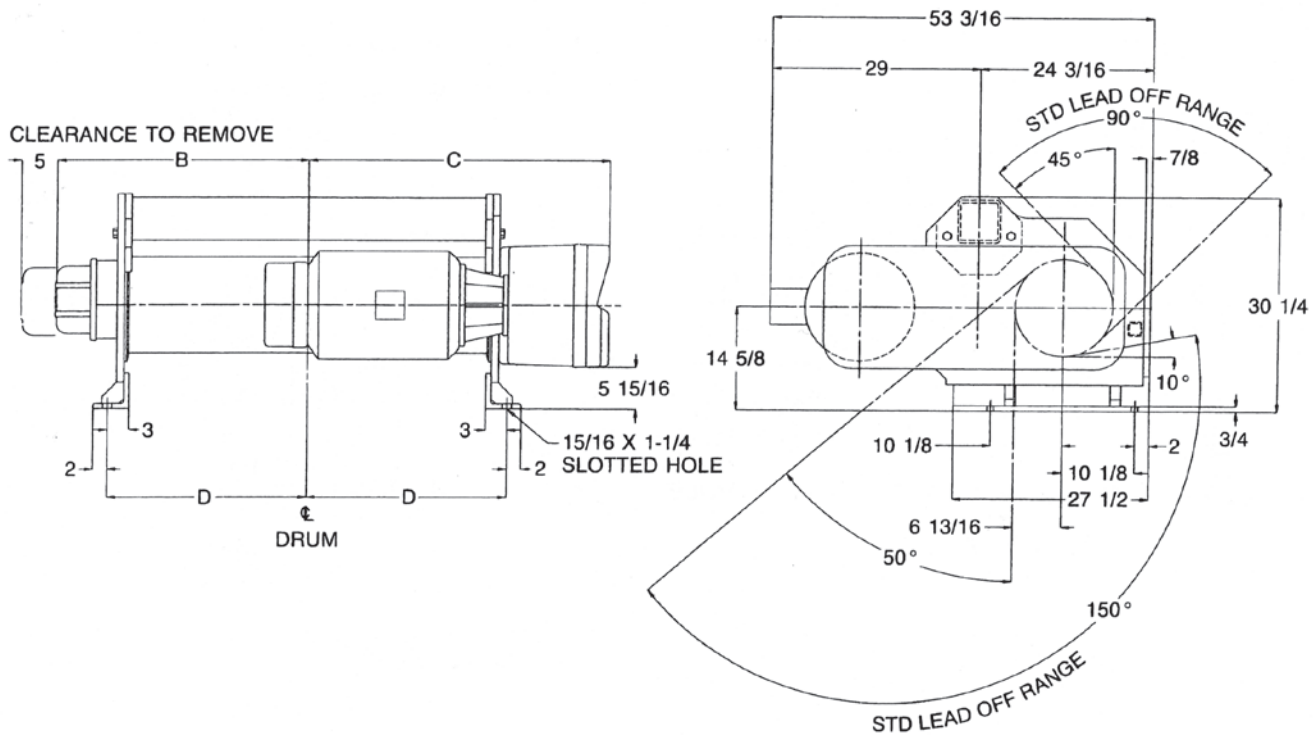
For Pricing See Page 11w

MODEL NUMBER	Drum Winding Capacity (x) (Ft)	Wire Rope Speed (FPM)	HP	B	C	D	Weight	Drum
C5W06D040-48W1D0	40	48	20	24-7/8	31-5/8	17-3/8	2375	2
C5W06D064-48W1D0	64	48	20	29-3/8	36-1/8	21-7/8	2525	3
C5W06D096-48W1D0	96	48	20	35-3/8	42-1/8	27-7/8	2730	4
C5W06D144-48W1D0	144	48	20	44-3/8	51-1/8	36-7/8	3030	5
C5W06D211-48W1D0	211	48	20	56-7/8	63-5/8	49-3/8	3455	6

All dimensions shown in inches unless otherwise specified.

Controls are shipped loose, mounting and final wiring by others.

(x) Maximum drum winding capacity, each hand, is given with two remaining wraps of rope on drum.

**ACCO** Acco Material
Handling Solutions800-967-7333 www.accomhs.com**WARNING**

Equipment described herein is not designed for, and should not be used for, lifting, supporting, or transporting humans. Modifications to upgrade, rerate, or otherwise alter the hoist or crane equipment shall be authorized only by the original manufacturer or qualified professional engineer. Failure to comply with any one of the limitations noted herein may result in serious bodily injury.

© 2012 ACCO Material Handling Solutions

w18