



WRIGHT[®]

WORK-RATED[®] **HOISTS**

THE NEW CENTURY SERIES[®]

WORK-RATED[®] HOISTS

THE NEW CENTURY SERIES[®]

Four frame sizes in capacities of 1 to 25 Ton

OVERLOAD CUTOFF

Protects load, hoist and operator by interrupting raising circuit when hoist senses a damaging overload. When lifting circuit is interrupted, the lowering circuit remains intact to allow the load to be lowered and removed. After the overload is removed, the lifting circuit is automatically restored. Overload cutoff is accessible for field adjustments.

BASIC CONTROLS

Choose single or two speed. Magnetic reversing contactors, both mechanically and electrically interlocked. 115V control circuit. Meets NEC requirements. NEMA Type 3R enclosure. Lightweight, durable, and easily accessible.

MOTOR BRAKE

Proven in millions of hours of in-service operation, the original Wright[®] rectified D-C magnet-actuated disc brake delivers rapid stops with virtually no hook drift. Rated a minimum of 150% of full load motor torque. Exclusive brake-sensing microswitch prevents motor from operating against engaged brake and when brake requires adjustment.

MOTOR

The New Century Series utilizes a U.S. manufactured motor, 30-minute duty, Class F insulation. Standard single speed motor is provided for 208V, 230V/460V or 575V 3 phase, 60 hertz power supplies. Motor thermostats are standard, providing both running and overcurrent protection.

DRUM

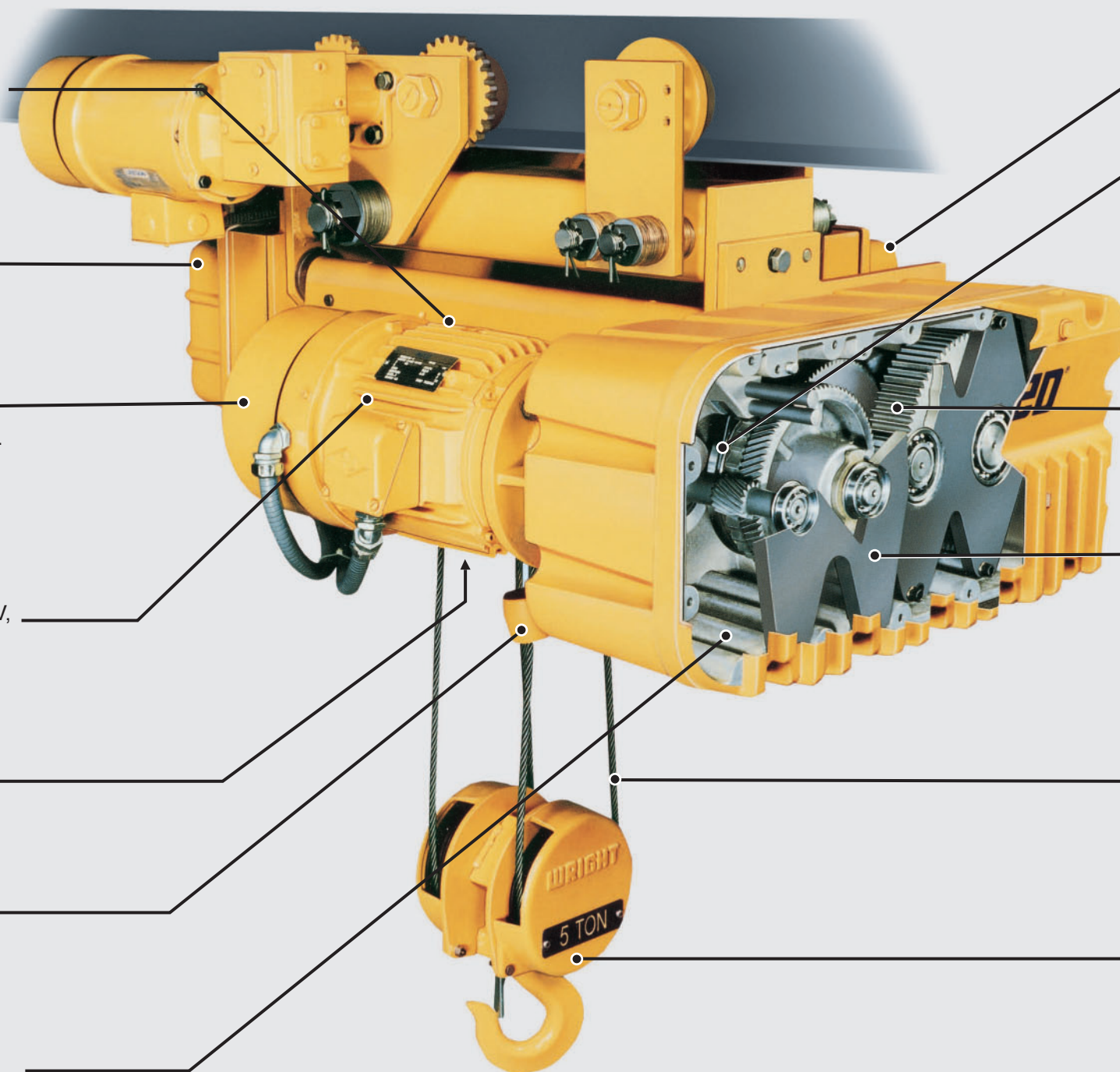
Machined grooves and large flanges for smooth winding and extended rope life. At least two full turns of rope remain on the drum at the lowest hook position.

LIMIT SWITCH

A gravity-type upper hook travel limit switch comes equipped with an automatic momentary lowering circuit.

LUBRICATION

Gears operate in the largest oil reservoir in the industry and are enclosed in a rugged, fluted aluminum alloy housing. The oil bath and housing combined provide rapid heat dissipation, an important aspect of achieving the high volume hoist duty of an H4 classification. Oil sight gauge on the housing cover permits quick visual inspection.



CONTROLS FOR OPTIONAL FEATURES

MECHANICAL LOAD BRAKE

Automatic Weston-Type multiple disc brake, carried forward from the original Work-Rated[®] design. It can hold a full capacity load independent of the motor brake and assures that the load does not accelerate while being lowered. Adjustment is not required.

GEAR TRAIN

Quiet, helical and spur gearing. All gears are machine cut, case hardened alloy steel with shock-resistant ductile cores. Designed to AGMA standards.

BEARINGS - SPIDER RETAINERS

Precision heavy-duty ball bearings support all shafts. Bearings at outboard end of shafts are held in place by heavy-duty spider retainers. This allows removal of gear housing cover for inspection (after draining oil). All internal parts remain in place and can be operated for inspection.

WIRE ROPE

Pre-formed wire rope, of hoisting service construction, made of extra improved plow steel (XIP) with an independent wire rope center. Has swaged fittings on both ends for ease of replacement if necessary.

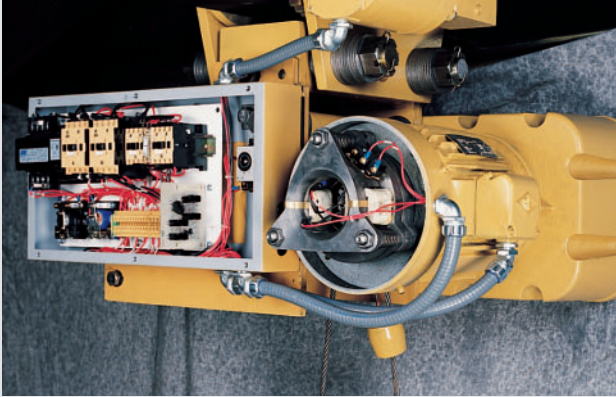
LOAD BLOCK - HOOK

Drop forged heat-treated steel hook swivels 360° on a shielded roller thrust bearing and comes equipped with a spring latch. Work can be performed on the load block without removing wire rope from drum. Sheaves are machined steel with machine finished grooves to increase surface contact with hoisting rope.

WORK-RATED® HOISTS

THE NEW CENTURY SERIES®

Four frame sizes in capacities of 1 to 25 Ton



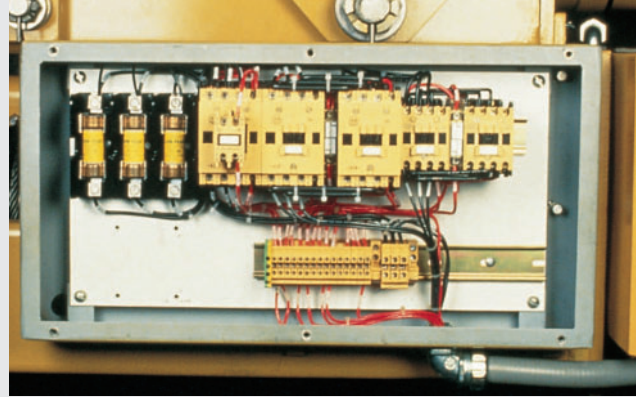
Basic Control Box and Motor Brake

STANDARD FEATURES

- Choose 1, 2, 3, 5, 7-1/2, 10, 15, 20 & 25 Ton Capacity
- Standard Speeds and Lifts Readily Available
- Choose Lug, Plain, Geared or Motorized Trolley, Deck Mounted or Top Running Trolley
- Standard Trolley Speeds Readily Available
- Single and Double Reeved Models Available
- H4 Duty Class
- Single or Two Speed Motors
- Choose 208V, 230V, 460V, 575V
- Motor Thermostats
- Overload Cutoff
- Mechanical Load Brake
- Motor Brake
- Hook Travel Upper Gravity Limit Switch
- 115V Control Circuit
- NEMA 3R Enclosure
- Machine Cut, Case Hardened, Alloy Steel Gears
- Machined Steel Sheaves
- Largest Oil Bath in Industry
- Oil Sight Gauge on Housing Cover
- Rugged, Fluted Aluminum Alloy Housing & Cover
- Complies with ASME B30.16 and ASME HST-4M Standards

Other Material Handling Products from ACCO Material Handling Solutions:

- *Accolift*® Hoists
- *Accolift*® Trolleys
- *Louden*® Cranes
- *Louden*® Monorail Systems
- *Mansaver*® Grabs
- *Nutting*® Trailers and Carts
- *Speedway*® Hoists
- *Trambeam*® Monorails and Cranes
- *Vac-U-Lift*® Lifters
- *Wright*® Crane Components
- *Wright*® Hand Equipment
- *Wright*® *Speedway*® Hoists



Optional Accessory Control Box

OPTIONAL FEATURES

- Lifts Longer Than Cataloged Available on Application
- Geared Limit Switch
- Motor Fuse Holders and Fuses
- Variable Speed by Inverter Control
- Models for Hazardous Locations. Class I & II, Group C, D, E, F & G, Division I & II
- Bullard - Type Hook
- Trolley Modifications & Speeds
- Operational on Patented Track
- Trolley ACM and Brakes
- Trolley Drop Down Lugs & Bumpers
- Tagline Tow Arm
- Epoxy Paints Available on Application
- Audible or Visual Hoist Overload Indicator
- Running Time Meter
- Other Options Available

HOIST DUTY SERVICE CLASSIFICATION H4

Hoists in this category are capable of **High Volume Handling of Heavy Loads**. Operating 30 minutes of each hour with a maximum of 300 starts an hour.

Wright® has been the industry leader in establishing hoist duty ratings and has made certain their hoists met this criteria. The tradition continues with The New Century Series of the WORK-RATED® Hoist Line.

All meet ASME HST-4M, both mechanically and electrically.



ACCO Material Handling Solutions

76 Acco Drive, Box 792, York, PA 17405-0792
717-741-4863, 800-967-7333, FAX 800-715-8897
E-mail: info@accomhs.com
www.accomhs.com

© 2011 ACCO Material Handling Solutions, Printed in the USA

Bulletin PD2119
03/11 RMC

